



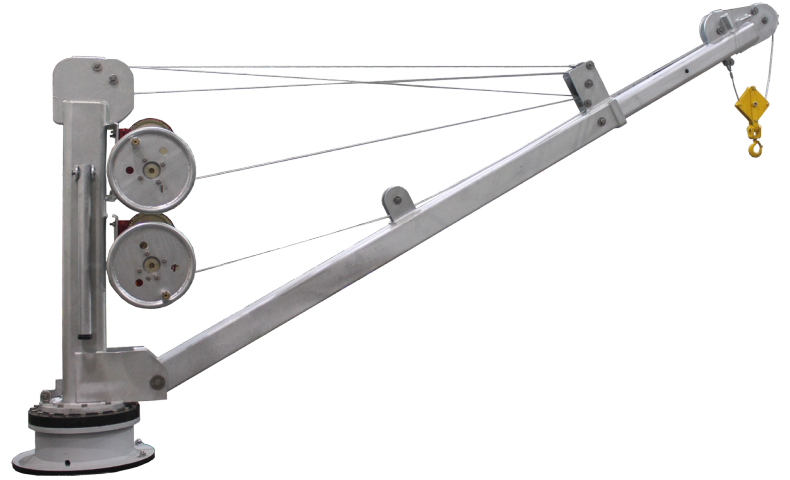
NABRICO



NEW PRODUCTS



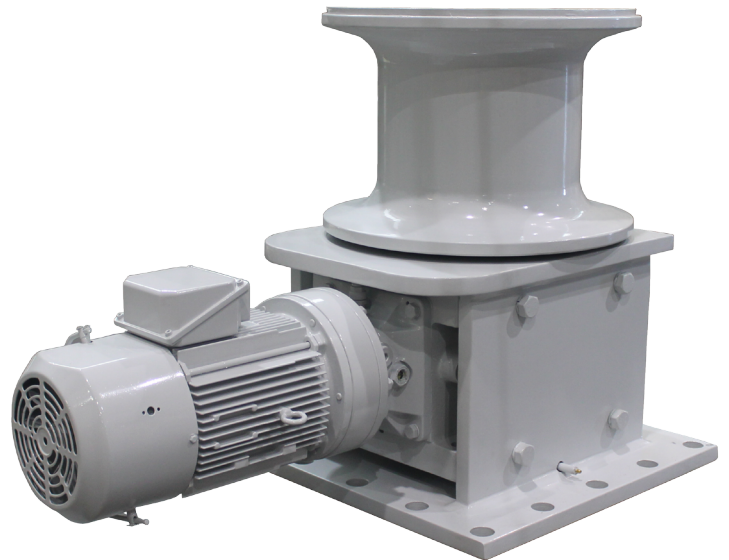
Stainless Steel 1 Ton Winch - Page 43



DF-360 Crane - Page 222



FASST Winder™ Winches - Page 48



Hi-Cap Capstan - Page 84

ABOUT US

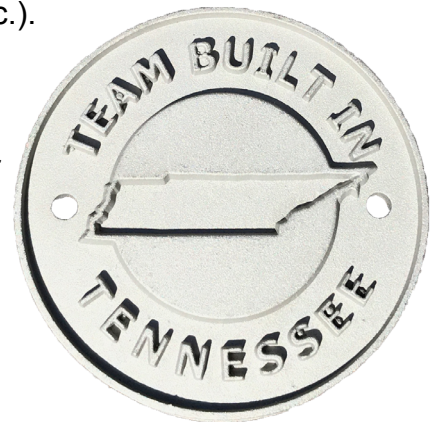


Nashville Bridge Company has been closely associated with the nation's waterways for more than 100 years. From the design of barge accessories and deck fittings to the day-to-day commitment to customer service, NABRICO, a registered trade name of Trinity Marine Products, Inc., is one of the most highly respected names in the water transportation industry.

NABRICO started building bridges in 1902 and built its first piece of floating equipment for the U.S. Corps of Engineers in 1915. More than ten decades of experience, engineering and nautical expertise go into every piece of equipment built today. NABRICO is a major supplier of marine deck hardware on the river system as well as the offshore industry.

Over the years, NABRICO has been the "innovator" of the marine supply industry. The NABRICO deck winch and "Big Blue" barge moving winches along with a complete line of hand, electric and hydraulic winches are prime examples of our ongoing commitment to excellence in design and quality. NABRICO is now producing Constant Tension Winches and other special winches using state-of-the-art electric motors and controls. In addition, NABRICO offers a complete line of hatches, castings (bitts, kevels, chocks, D-Rings, Panama Canal chocks, etc.), watertight doors and tank barge fittings (expansion trunks, drip pans, warning signs, small tanks, etc.). NABRICO has the capabilities to produce almost any of your needs.

There should be no hesitation in contacting NABRICO for your needs in barge moving systems or deck equipment, for either standard products or new designs. Just call NABRICO. It is a name on which you can rely.



NABRICO

nabrigo-marine.com

615.442.1300

The specifications and details described by drawings or text in this literature are subject to change without notice.

TABLE OF CONTENTS

NEW PRODUCTS	I
ABOUT US	II

WINCHES

POWER WINCHES	2
DF-1 UPRIGHT ELECTRIC WINCH	3
30 TON UPRIGHT ELECTRIC WINCH.....	4
40 TON UPRIGHT ELECTRIC WINCH.....	5
65 TON UPRIGHT ELECTRIC WINCH.....	6
100 TON UPRIGHT ELECTRIC WINCH.....	7
30 TON HORIZONTAL ELECTRIC WINCH	8
40 TON HORIZONTAL ELECTRIC WINCH	9
65 TON HORIZONTAL ELECTRIC WINCH	10
DF-1 LINE PULL AND SPEED OPTIONS.....	11
DF-656 ELECTRIC WINCH	14
DF-656 ELECTRIC WINCH	15
DF-656 ELECTRIC WINCH	16
DF-656 LINE PULL AND SPEED OPTIONS.....	17
HYDRA-ELECTRIC WINCH	19
HYDRA-ELECTRIC WINCH - REMOTE POWER PACK.....	20
10 TON HYDRA-ELECTRIC WINCH	21
20 TON HYDRA-ELECTRIC WINCH	22

40 TON HYDRA-ELECTRIC WINCH	23
60 TON HYDRA-ELECTRIC WINCH	24
40 TON DOUBLE DRUM WINCH	25
SPUD WINCH	26
40 TON UPRIGHT SPUD WINCH	27
65 TON UPRIGHT SPUD WINCH	28
BARGE POSITIONING SYSTEM	29
BARGE POSITIONING SYSTEM	30
BARGE POSITIONING SYSTEM	31
BARGE POSITIONING WINCH (18" DRUM)	32
BARGE POSITIONING WINCH (24" DRUM)	33
BARGE POSITIONING WINCH (36" DRUM)	34
RAILCAR AND INDUSTRIAL WINCH.....	35
RAILCAR AND INDUSTRIAL WINCH.....	36
ANCHOR WINCHES.....	37
ANCHOR WINCHES.....	38
ALUMINUM ANCHOR WINCH	39
ELECTRIC ALUMINUM ANCHOR WINCH.....	40
HYDRAULIC ALUMINUM ANCHOR WINCH.....	41
MANUAL WINCHES.....	42
1 TON MANUAL WINCH.....	43
1 TON MANUAL WINCH.....	44



nabrico-marine.com

615.442.1300

The specifications and details described by drawings or text in this literature are subject to change without notice.

2 AND 5 TON MANUAL WINCH	45
2 AND 5 TON MANUAL WINCH	46
2 TON MANUAL WINCH ASSY.....	47
FASST WINDER™ WINCHES	48
DF-356 W/ FASST WINDER™ WINCH.....	49
DF-629 W/ FASST WINDER™ WINCH.....	51
DF-629 SIDEWINDER WINCH	53
DF-629 SIDEWINDER WINCH	54
DF-3 MANUAL WINCH	55
30 TON UPRIGHT MANUAL WINCH.....	56
40 TON UPRIGHT MANUAL WINCH.....	57
DF-156 MANUAL WINCHES	58
10 TON MANUAL WINCH.....	59
20 TON MANUAL WINCH.....	60
40 TON MANUAL WINCH.....	61
40 TON MANUAL WINCH.....	62
60 TON MANUAL WINCH.....	63
75 TON MANUAL WINCH.....	64
DF-529 LOW PROFILE WINCH	65
40 TON LP BUTTON MOUNT WINCH	66
40 TON LP BASE BAR MOUNT WINCH	67
40 TON LP DOUBLER PLATE MOUNT	68

40 TON LP D-RING MOUNT WINCH	69
40 TON COMPACT LOW PROFILE WINCH	70
DF-545 PLANETARY WINCH	71
DF-545 PLANETARY WINCH	72
DF-559 CAST DRUM WINCH	73
DF-559 CAST DRUM WINCH	74
PARKER WINCH	75
25 TON PARKER WINCH	76
25 TON PARKER ELECTRIC WINCH	77
25 TON PARKER HYDRAULIC WINCH	78
LEVEL WIND KIT	79
LEVEL WIND KIT FOR DF-156 HE WINCH	80
LEVEL WIND KIT FOR 40 TON ELECTRIC	81
FLEET ANGLE	82

CAPSTANS

HI-CAP CAPSTAN	84
HI-CAP CAPSTAN	85
HI-CAP	
CAPSTAN WINCH	88
CAPSTAN WINCH	89
CAPSTANS	90

DOORS



NABRICO

nabrico-marine.com

615.442.1300

The specifications and details described by drawings or text in this literature are subject to change without notice.

4 DOG WEATHERTIGHT DOOR	92
6 DOG WEATHERTIGHT DOOR	93
DOOR WITH FIXED PORTLIGHT	94
QUICK ACTING WEATHERTIGHT DOOR	95
SINGLE LEVER (4 DOG) WEATHERTIGHT	96
SINGLE LEVER (6 DOG) WEATHERTIGHT	97
MODEL 400 - WELD IN FIXED LIGHT	98
MODEL 500 - BOLT-ON FIXED LIGHT	99
MODEL 600 - BOLT-ON FIXED LIGHT W/ COVER.....	100
MODEL 700 - WELD IN PORTLIGHT	101
MODEL 800 - BOLT-ON PORTLIGHT	102
MODEL 900 - WELD – IN FIXED LIGHT W/ COVER	103

HATCHES

RAISED MULTI-BOLT CLEAN OUT HATCH	106
RAISED MULTI-BOLT OVAL HATCH.....	107
RAISED (6 PSI) MULTI-BOLT HATCH.....	108
RAISED (6 PSI) MULTI-BOLT OVAL HATCH.....	109
RAISED MULTI-STUD ROUND HATCH	110
RAISED MULTI-STUD OVAL HATCH.....	111
FLUSH MULTI-BOLT CLEAN OUT HATCH	112
FLUSH MULTI-BOLT OVAL HATCH	113
FLUSH MULTI-STUD ROUND HATCH.....	114

FLUSH MULTI-STUD OVAL HATCH.....	115
FLUSH MULTI-STUD OVAL HATCH.....	116
FLUSH MULTI-SCREW ROUND HATCH.....	117
FLUSH MULTI-SCREW OVAL HATCH.....	118
FLUSH MULTI-SCREW SQUARE HATCH.....	119
VALVE REMOVAL HATCH.....	120
FLUSH WATERTIGHT T-HANDLE HATCH.....	121
FLUSH GALV. WATERTIGHT T-HANDLE HATCH.....	122
SINGLE BOLT ROUND HATCH.....	123
SINGLE BOLT OVAL HATCH.....	124
RAISED WATERTIGHT QUICK ACTING ESCAPE HATCH.....	125
FLUSH WATERTIGHT QUICK ACTING ESCAPE HATCH.....	126
RAISED WATERTIGHT QUICK ACTING HATCH.....	127
RAISED WATERTIGHT QUICK ACTING HATCH.....	128
FLUSH WATERTIGHT QUICK ACTING HATCH.....	129
RAISED WATERTIGHT FIXED DOG HATCH.....	130
FLUSH WATERTIGHT FIXED DOG HATCH.....	131
DF-474 TWIST LOCK HATCH.....	132
DF-474-5 TWIST LOCK HATCH.....	133
SINGLE DOG ULLAGE HATCH.....	134
SINGLE DOG ULLAGE HATCH.....	135
SINGLE DOG ULLAGE HATCH.....	136



NABRICO

nabrico-marine.com

615.442.1300

The specifications and details described by drawings or text in this literature are subject to change without notice.

3 DOG RAISED WATERTIGHT HATCH	137
SINGLE DOG RAISED WATERTIGHT HATCH	138
2 DOG RAISED WATERTIGHT HATCH	139
2 DOG RAISED WATERTIGHT HATCH	140
4 DOG RAISED WATERTIGHT HATCH	141
4 DOG RAISED WATERTIGHT HATCH	142
6 DOG RAISED WATERTIGHT HATCH	143
6 DOG RAISED (6 PSI) ROUND HATCH	144
6 DOG RAISED (6 PSI) OVAL HATCH	145
8 DOG RAISED WATERTIGHT HATCH	146
TWO BOLT MANHOLE	147

KEVELS

CAST STEEL KEVEL	150
CAST STEEL HEAVY KEVEL	151
CAST STEEL KEVEL CHOCK	152
CAST STEEL THRU DECK KEVEL CHOCK	153
CAST STEEL RAISED KEVEL	154
CAST STEEL THRU DECK RAISED KEVEL	155

BITTS

CAST STEEL SINGLE BITT	158
CAST STEEL SINGLE BITT	159
CAST STEEL THRU DECK SINGLE BITT	160

CAST STEEL THRU DECK SINGLE BITT.....	161
FABRICATED STEEL SINGLE BITT.....	162
FABRICATED STEEL CRUCIFORM BITT.....	163
CAST STEEL DOUBLE BITT.....	164
CAST STEEL HEAVY DOUBLE BITT.....	165
CAST STEEL HEAVY DOUBLE BITT.....	166

CHOCKS

CAST STEEL 6" BUTTON CHOCK.....	168
CAST STEEL 8" BUTTON CHOCK.....	169
CAST STEEL 8" BUTTON CHOCK.....	170
CAST STEEL 9" BUTTON CHOCK.....	171
CAST STEEL 9 1/2" BUTTON CHOCK.....	172
CAST STEEL 10" BUTTON CHOCK.....	173
CAST STEEL 11" BUTTON CHOCK.....	174
CAST STEEL OPEN CHOCK.....	175
CAST STEEL CLOSED CHOCK.....	176
CAST STEEL PANAMA CANAL CHOCK.....	177
CAST STEEL PANAMA CANAL CHOCK.....	178
CAST STEEL PANAMA CANAL CHOCK (BULWARK).....	179
CAST STEEL MOORING RING.....	180
FABRICATED STEEL BUTTON CHOCK.....	181
FABRICATED STEEL COMBINATION BITT.....	182



NABRICO

nabrico-marine.com

615.442.1300

The specifications and details described by drawings or text in this literature are subject to change without notice.

FABRICATED STEEL OPEN CHOCK	183
FAIRLEAD PEDESTAL ROLLER	184
PIVOTING FAIRLEAD.....	185
FAIRLEAD ROLLER	186
STAINLESS STEEL FIXED CHOCK.....	187
STAINLESS STEEL FIXED CHOCK.....	188
STAINLESS STEEL CHOCK	189
STAINLESS STEEL BUTTON CHOCK.....	190
ROLLER CHOCK.....	191
SINGLE ROLLER CHOCK.....	192
SINGLE ROLLER CHOCK.....	193
SINGLE ROLLER CHOCK.....	194
SINGLE ROLLER BUTTON CHOCK.....	195
THRU DECK SINGLE ROLLER BUTTON CHOCK.....	196
HEAVY DUTY SINGLE ROLLER BUTTON CHOCK	197
PIVOTING ROLLER CHOCK.....	198

SPECIALTY

300 GALLON FUEL OIL TANK.....	200
500 GALLON FUEL TANK	201
7500 GALLON DECK TANK	202
ALUMINUM WARNING SIGN	203
OIL POLLUTION WARNING SIGN	204

ALUMINUM EMERGENCY ENGINE CUT OFF SIGN	205
FLANGED HEAD	206
FLANGED AND DISHED HEAD	207
BILGE PLATES	208
CAST STEEL D-RING.....	209
STEEL CORNER PLATES.....	210
REDUCED STEEL SUCTION BELLMOUTH.....	211
STEEL SUCTION BELLMOUTH.....	212
STEEL SUCTION BELLMOUTH.....	213
BROOMSTYLE SUCTION BELLMOUTH.....	214
RATCHET STRAP.....	215
STUFFING GLAND.....	216
EXPANSION TRUNK.....	217
EXPANSION TRUNK.....	218
RAISED WATERTIGHT EXPANSION DOME.....	219
INTERLOCKING PIN	220
FLAG POLE	221
DF-360 CRANE.....	222
DF-360 CRANE.....	223
DF-126 BARGE CRANE	224
DF-126 BARGE CRANE	225
DF-126 BARGE CRANE	226



NABRICO

nabrico-marine.com

615.442.1300

The specifications and details described by drawings or text in this literature are subject to change without notice.

RUNNING LIGHT STAND	227
LADDER.....	228
STEERING POLE	229
STAINLESS STEEL DOCUMENT BOX/DESK	230
SS DOCUMENT BOX - HORIZONTAL	231
DRY BOX	232
EXPANSION PLATE	233
DRIP PANS	234
DRIP PAN COVERS	235
DOOR DOG HANDLE KIT	236
DOOR DOG HANDLE KIT	237
DOG HANDLE	238
DOUBLE WING DOG HANDLE	239
TUMBLE BOLT.....	240
TUMBLE BOLT PIN KIT	241
TUMBLE BOLT LUG	242
DOGGING PAD.....	243
T-HANDLE	244
SQUARE BRASS NUT.....	245
FLANGED HEX NUT.....	246
HOSE CRANE SPREADER BAR	247

MISC

DECK FITTING NOTES AND GENERAL INFORMATION 249



NABRICO

nabrico-marine.com

615.442.1300

The specifications and details described by drawings or text in this literature are subject to change without notice.

WINCHES

NABRICO winches represent the expertise of people who know and understand the special needs of the towing industry. NABRICO's engineers incorporate over 100 years of experience in the river transportation industry in the development of both specialty and standard winch configurations. A winch designed and built by NABRICO assures you of quality and years of dependable service.



POWER WINCHES

ELECTRIC	3
HYDRA-ELECTRIC	19
SPUD	26
RAILCAR / BARGE	29
RAILCAR WINCH	35
ANCHOR	37
ALUMINUM ANCHOR	39

MANUAL WINCHES

1 TON.....	43
2/5 TON.....	45
DF-7 WORM GEAR.....	47
FASST WINDER™	48
DF-356	49
DF-629	53
DF-3 UPRIGHT	55
DF-156 MANUAL.....	58
DF-529 LOW PROFILE	65
DF-539 COMPACT LP	70
DF-545 PLANETARY	71
DF-559 CAST DRUM.....	73
DF-170 PARKER	75

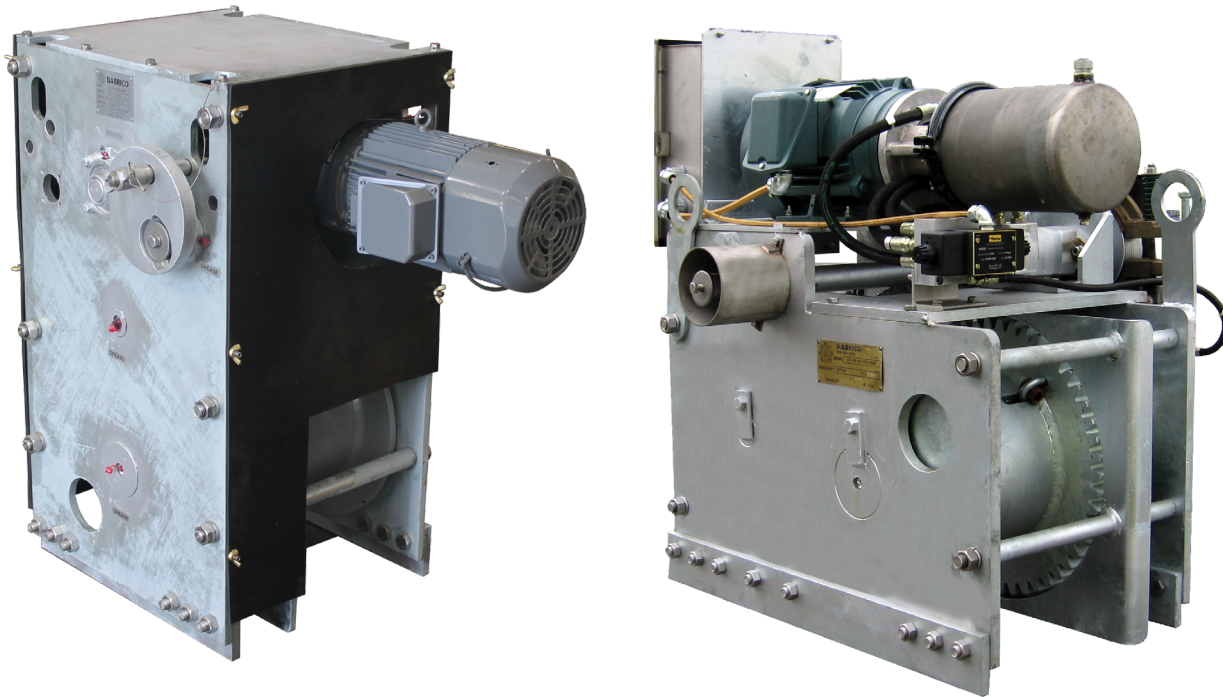
LEVEL WIND KIT

DF-156 HYDRA-ELECTRIC	80
DF-1 ELECTRIC	81
FLEET ANGLE	82

WINCHES

POWER WINCHES

WINCHES



NABRICO offers a variety of options for your power winch needs. We have multiple options for mounting positions of winches and garmotors. All of our powered winches except the DF-656 come standard with a galvanized finish and all stainless steel fasteners. NABRICO's power winches are the heaviest in their class and have a simple design that is field serviceable. NABRICO offers a power winch to fit your specific needs.

Winches portrayed in drawings, photographs and copy are not designed for lifting or lowering persons or equipment.



NABRICO

nabrigo-marine.com

615.442.1300

The specifications and details described by drawings or text in this literature are subject to change without notice.

DF-1 UPRIGHT ELECTRIC WINCH

WINCHES

FEATURES

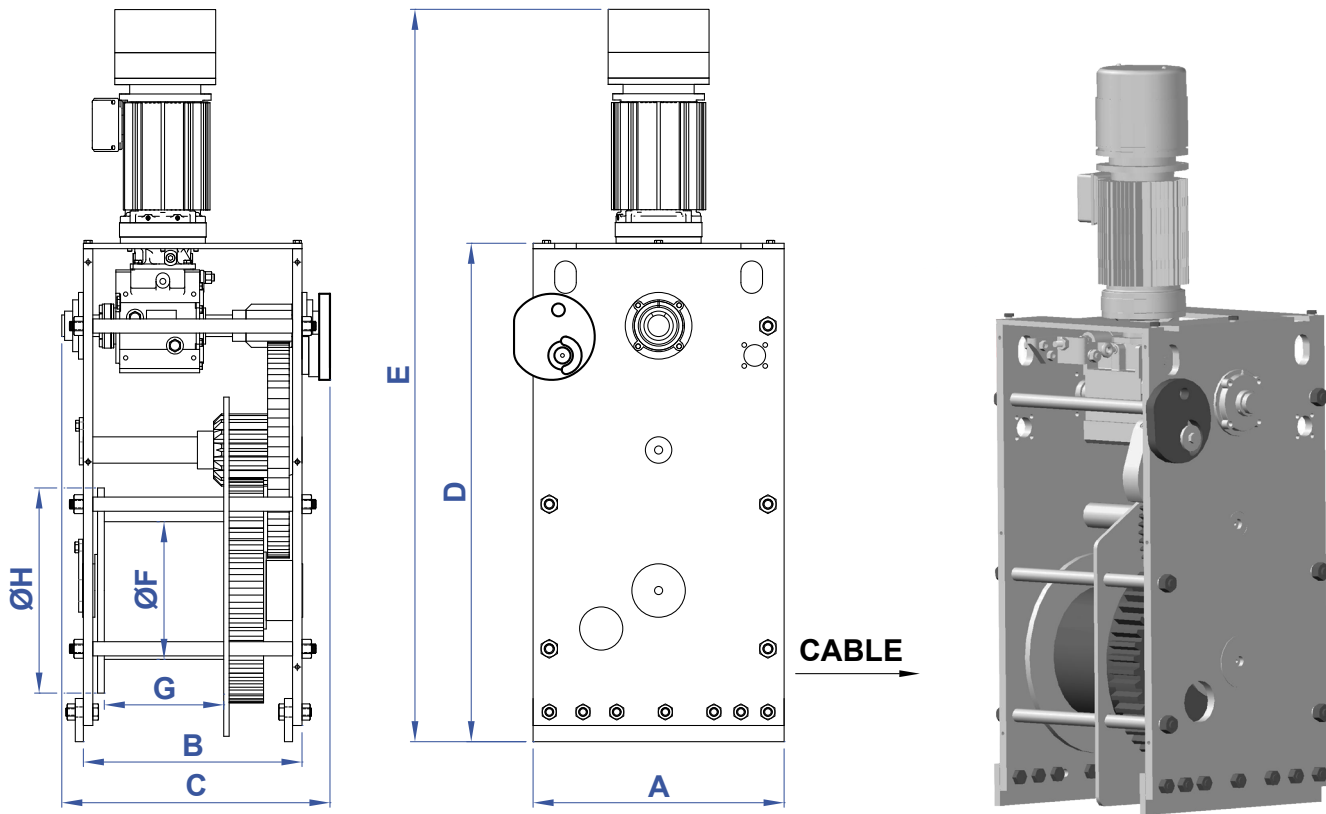
- Salt water package standard on all power winches.
- Hot-dipped galvanized.
- Stainless or silicon bronze fasteners.
- 3-ply conveyor belt covers (damage and corrosion resistant).
- 3-tooth locking dog with large release and fail-safe disc brake.
- Provisions for emergency manual operation.
- NEMA motor design with cycloidal gearbox available.
- Control box option: NEMA 4X polycarbonate.
- Minimal maintenance and easy to repair.
- Variable frequency drive option available (Amp draw limits, variable speeds and motor protection).
- Made as one model adjustable to true right or left hand models for use in pairs.
- Over 100 fewer parts than other electric winches (no chain or sprockets).
- Heaviest winch in its class.
- 30 Ton - 5 HP motor standard.
- 40 Ton - 7.5 HP motor standard.
- 50 Ton - 10 HP motor standard.
- 65 Ton - 10 HP motor standard.
- **Other line pulls and speeds available.**



MODEL No.	HOLDING DOG &/OR BRAKE	LINE PULL	LINE SPEED	DRUM CAPACITIES (FT)					WEIGHT	DIMENSIONAL DATA		
	S. TONS			LBS	FPM	1/2"	5/8"	3/4"		7/8"	1"	LBS
DF-1-30	30	REFER TO DF-1 LINE PULL AND SPEED OPTIONS TABLE		361	228	138	120	66	1700	20"	22"	55"
DF-1-40	40			-	287	180	130	100	1800	21"	24"	67"
DF-1-65	65			-	572	325	262	200	3200	24"	30"	79"
DF-1-100	100			-	572	325	262	200	3500	27-7/8"	30"	80-5/8"

30 TON UPRIGHT ELECTRIC WINCH

WINCHES



RIGHT HAND WINCH SHOWN
LEFT HAND WINCH OPPOSITE

COATINGS	RH WINCH PART No.	LH WINCH PART No.
GALVANIZED	83627	83626

MODEL No.	PART No.	A	B	C	D	E	ØF	G	ØH	WT. (lbs.)
DF-1-30	REFER TO COATINGS TABLE	22"	19-3/8"	23"	39"	57-1/2"	10-3/4"	11"	16"	1700



NABRICO

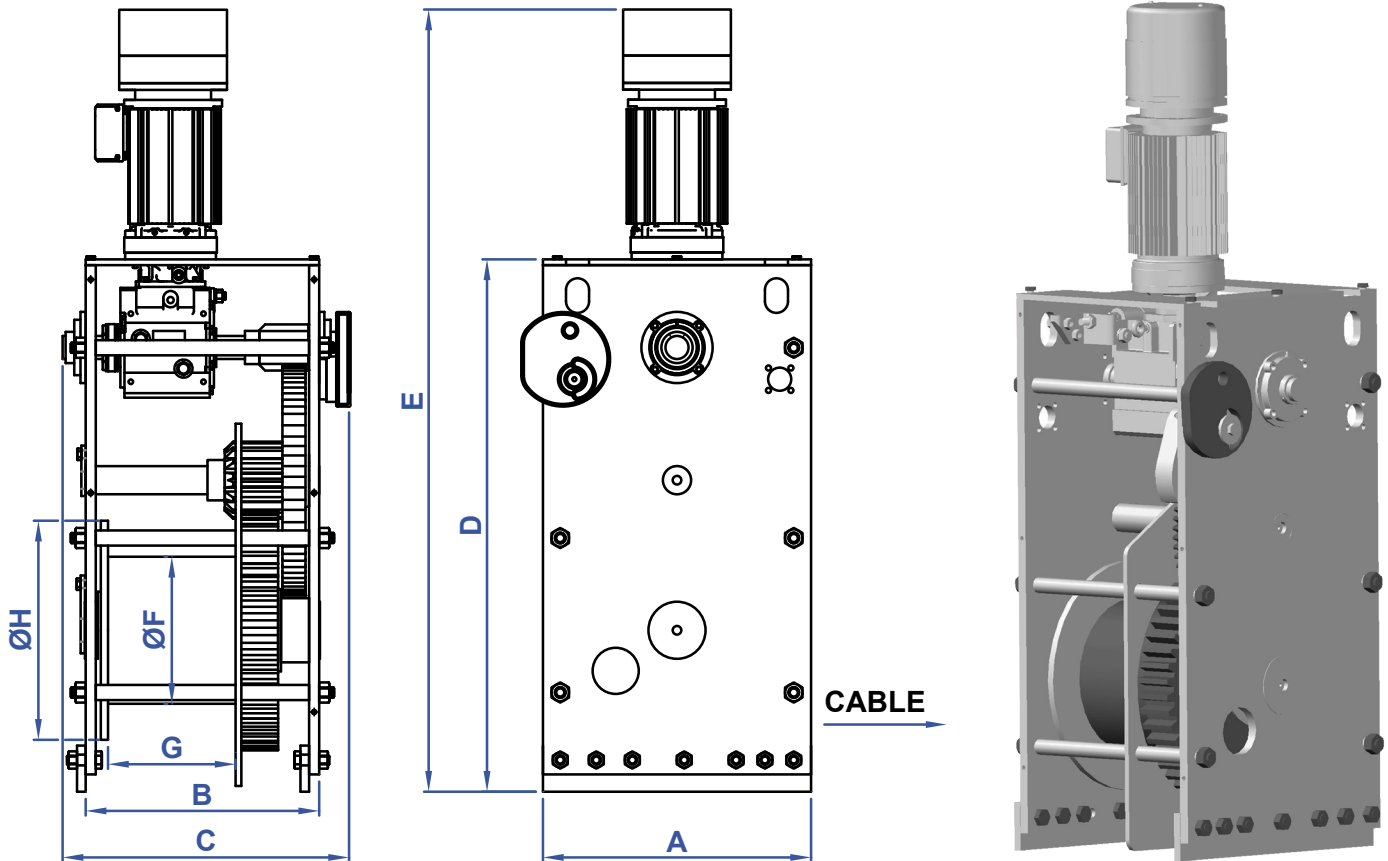
nabrico-marine.com

615.442.1300

The specifications and details described by drawings or text in this literature are subject to change without notice.

40 TON UPRIGHT ELECTRIC WINCH

WINCHES



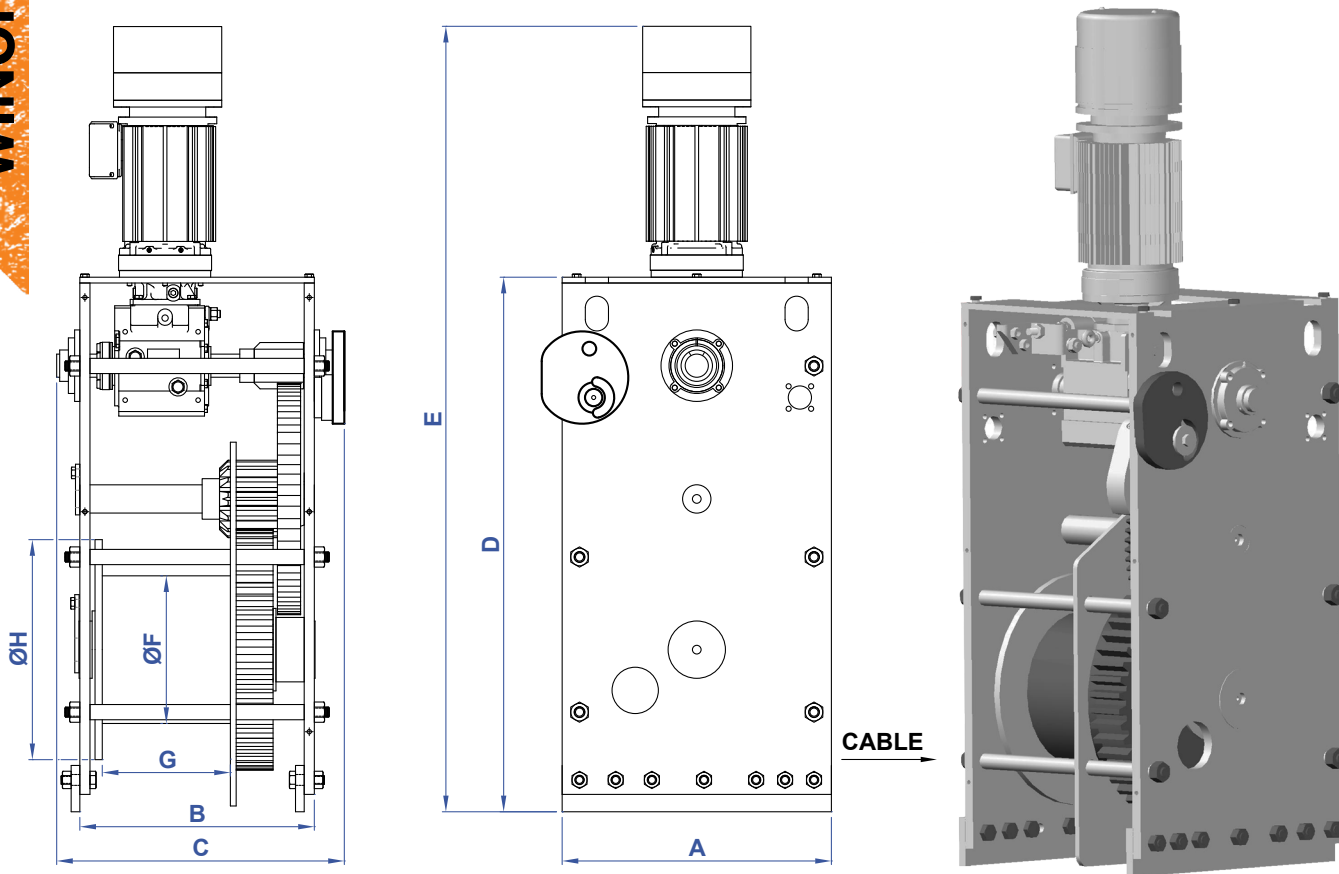
RIGHT HAND WINCH SHOWN
LEFT HAND WINCH OPPOSITE

COATINGS	RH WINCH PART No.	LH WINCH PART No.
GALVANIZED	83611	83610

MODEL No.	PART No.	A	B	C	D	E	ØF	G	ØH	WT. (lbs.)
DF-1-40	REFER TO COATINGS TABLE	23-1/4"	20-1/8"	24"	46-1/8"	70"	12-3/4"	11-1/4"	19"	1800

65 TON UPRIGHT ELECTRIC WINCH

WINCHES



RIGHT HAND WINCH SHOWN
LEFT HAND WINCH OPPOSITE

COATINGS	RH WINCH PART No.	LH WINCH PART No.
GALVANIZED	83617	83616

MODEL No.	PART No.	A	B	C	D	E	ØF	G	ØH	WT. (lbs.)
DF-1-65	REFER TO COATINGS TABLE	30"	23-1/8"	27"	55-1/2"	81"	14"	10-5/8"	24"	3200



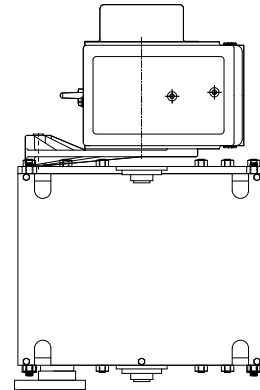
NABRICO

nabrico-marine.com

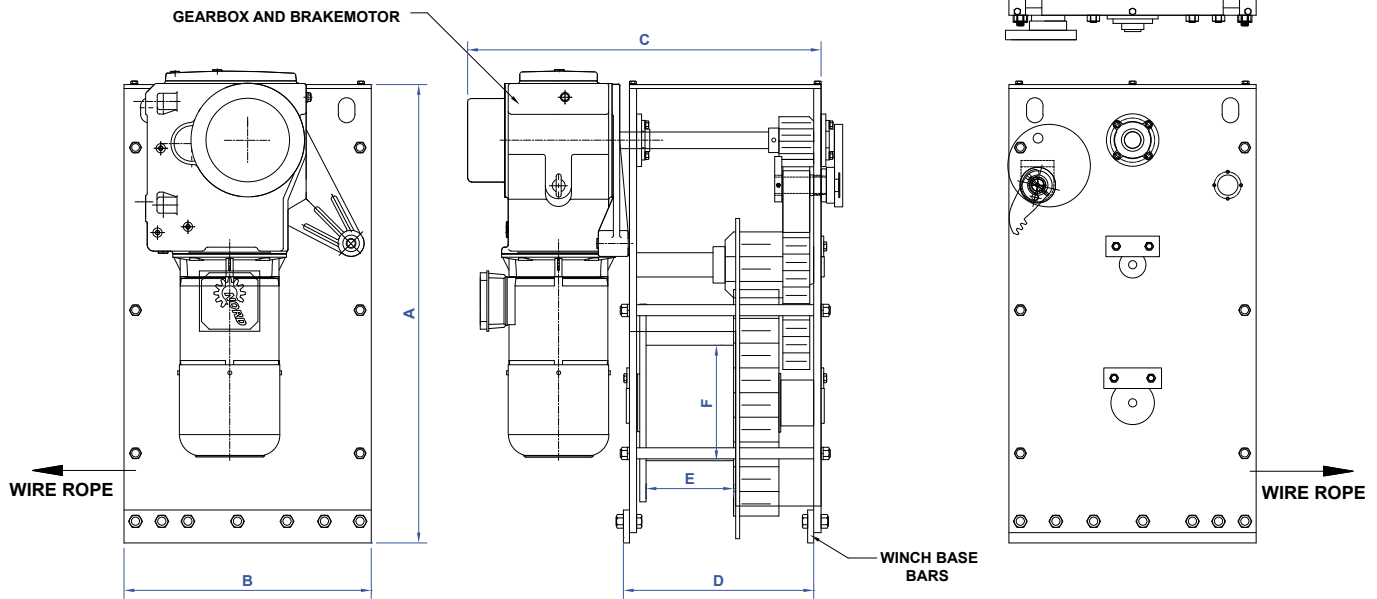
615.442.1300

The specifications and details described by drawings or text in this literature are subject to change without notice.

100 TON UPRIGHT ELECTRIC WINCH



WINCHES



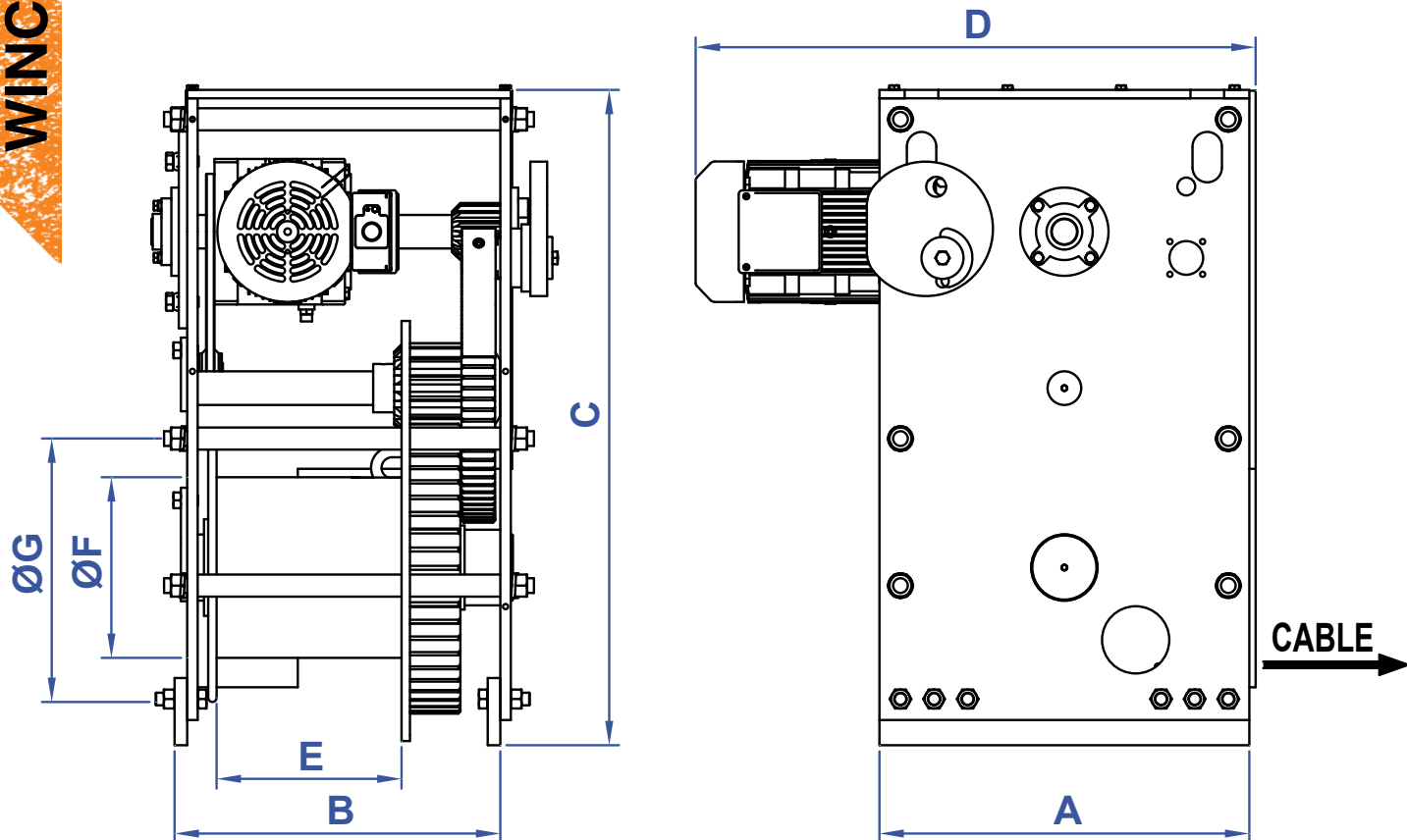
**RIGHT HAND WINCH SHOWN
LEFT HAND WINCH OPPOSITE**

COATINGS	RH WINCH PART No.	LH WINCH PART No.
GALVANIZED	80186	80185

MODEL No.	PART No.	A	B	C	D	E	ØF	WT. (lbs.)
DF-1-100	REFER TO COATINGS TABLE	55-11/6"	30"	42-7/8"	23-1/8"	10-5/8"	14"	3,367

30 TON HORIZONTAL ELECTRIC WINCH

WINCHES



RIGHT HAND WINCH SHOWN
LEFT HAND WINCH OPPOSITE

COATINGS	RH WINCH PART No.	LH WINCH PART No.
GALVANIZED	83623	83622

MODEL No.	PART No.	A	B	C	D	E	ØF	ØG	WT. (lbs.)
DF-1-30	REFER TO COATINGS TABLE	22"	19-3/8"	39"	36"	11-1/4"	10-3/4"	16"	1700



NABRICO

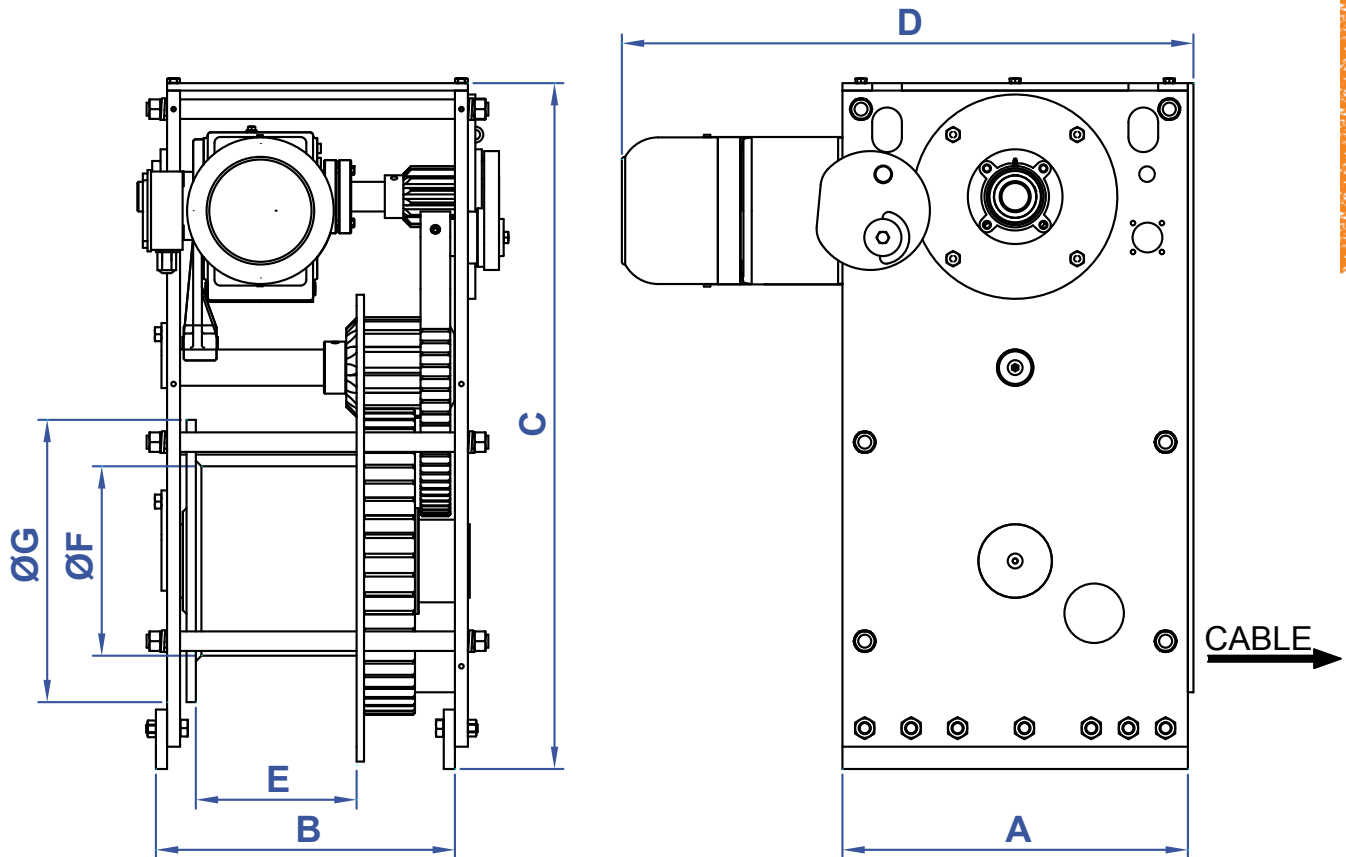
nabrico-marine.com

615.442.1300

The specifications and details described by drawings or text in this literature are subject to change without notice.

40 TON HORIZONTAL ELECTRIC WINCH

WINCHES



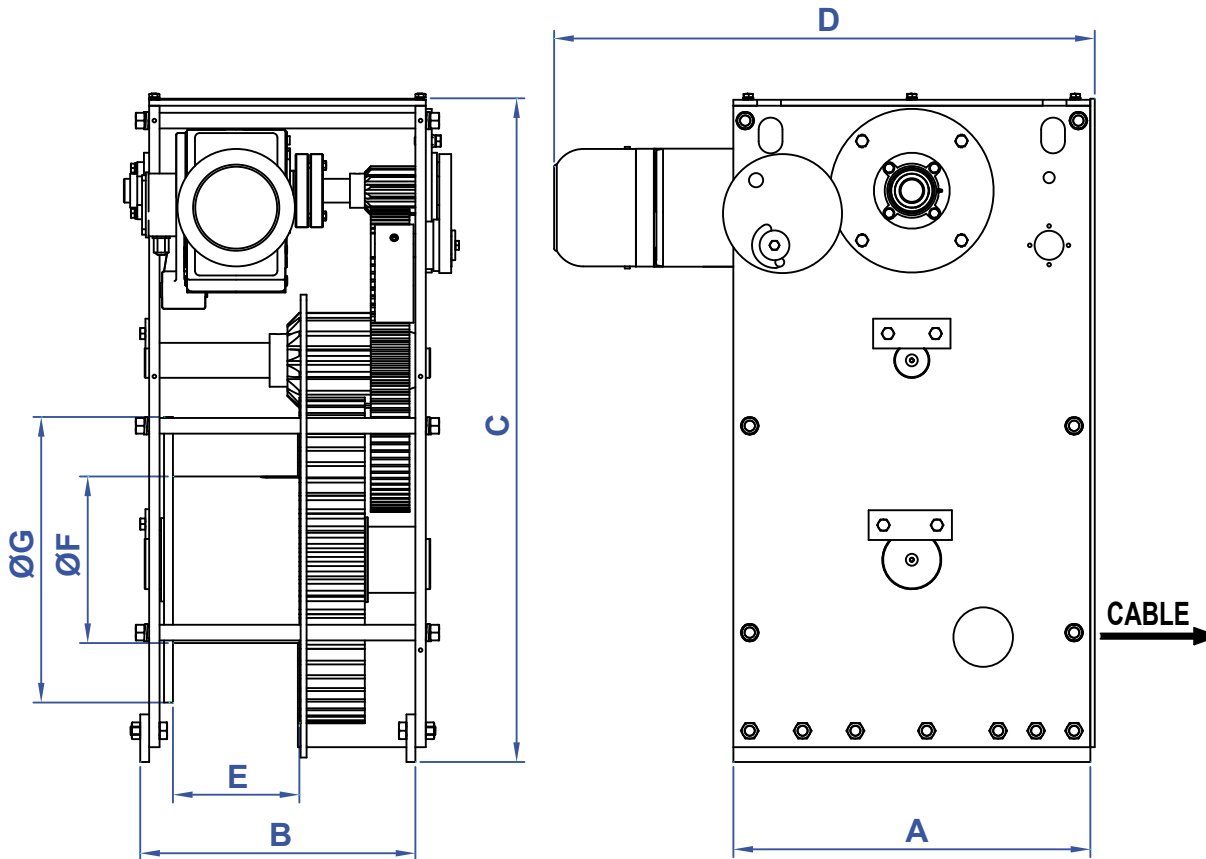
RIGHT HAND WINCH SHOWN
LEFT HAND WINCH OPPOSITE

COATINGS	RH WINCH PART No.	LH WINCH PART No.
GALVANIZED	83609	83608

MODEL No.	PART No.	A	B	C	D	E	ØF	ØG	WT. (lbs.)
DF-1-40	REFER TO COATINGS TABLE	23-1/4"	20-1/8"	46-1/8"	41"	11-1/4"	12-3/4"	19"	1800

65 TON HORIZONTAL ELECTRIC WINCH

WINCHES



RIGHT HAND WINCH SHOWN
LEFT HAND WINCH OPPOSITE

COATINGS	RH WINCH PART No.	LH WINCH PART No.
GALVANIZED	83619	83618

MODEL No.	PART No.	A	B	C	D	E	ØF	ØG	WT. (lbs.)
DF-1-65	REFER TO COATINGS TABLE	30"	23-1/8"	55-1/2"	45-1/2"	10-5/8"	14"	24"	3200



NABRICO

nabrico-marine.com

615.442.1300

The specifications and details described by drawings or text in this literature are subject to change without notice.

DF-1 LINE PULL AND SPEED OPTIONS

WINCHES

MODEL	MOTOR SIZE (HP)	GEAR-BOX MODEL	GEAR-BOX RATIO	BRAKE TORQUE (N-M)	LINE SPEED (FPM)	RATED LINE PULL (LBS)	STALL PULL (300%)	EST. BRAKE HOLDING (LBS)	DOG HOLDING (LBS)
DF-1-30	5	9032.1	23.91	60	11.1	14,131	42,394	64,427	60,000
DF-1-30	5	9022.1	22.41	60	11.8	13,245	39,734	60,385	60,000
DF-1-30	5	9032.1	20.23	60	13.1	11,956	35,869	54,511	60,000
DF-1-30	5	9022.1	19.93	60	13.3	11,779	35,337	53,702	60,000
DF-1-30	5	9022.1	17.52	60	15.1	10,355	31,064	47,209	60,000
DF-1-30	5	9032.1	17.08	60	15.5	10,095	30,284	46,023	60,000
DF-1-30	5	9022.1	16.3	60	16.3	9,634	28,901	43,921	60,000
DF-1-30	5	9032.1	15.73	60	16.9	9,297	27,890	42,385	60,000
DF-1-30	5	9022.1	14.56	60	18.2	8,605	25,816	39,233	60,000
DF-1-30	5	9032.1	13.49	60	19.7	7,973	23,919	36,350	60,000
DF-1-30	5	9032.1	12.68	60	20.9	7,494	22,482	34,167	60,000
DF-1-30	5	9022.1	12.51	60	21.2	7,394	22,181	33,709	60,000
DF-1-30	5	9022.1	11.13	60	23.8	6,578	19,734	29,990	60,000
DF-1-30	5	9032.1	10.73	60	24.7	6,342	19,025	28,913	60,000
DF-1-30	5	9032.1	8.48	60	31.3	5,012	15,036	22,850	60,000
DF-1-30	7.5	9032.1	8.48	100	31.3	7,518	22,553	38,083	60,000
DF-1-30	7.5	9032.1	10.73	100	24.7	9,512	28,537	48,188	60,000
DF-1-30	7.5	9032.1	12.68	100	20.9	11,241	33,724	56,945	60,000
DF-1-30	7.5	9032.1	13.49	100	19.7	11,959	35,878	60,583	60,000
DF-1-30	7.5	9032.1	15.73	60	16.9	13,945	41,835	42,385	60,000
DF-1-30	7.5	9032.1	17.08	60	15.5	15,142	45,426	46,023	60,000
DF-1-30	7.5	9032.1	20.23	60	13.1	17,934	53,803	54,511	60,000
DF-1-30	7.5	9032.1	23.91	60	11.1	21,197	63,591	64,427	60,000
DF-1-40	5	9032.1	23.91	60	13.2	11,915	35,744	54,960	80,000
DF-1-40	5	9022.1	22.41	60	14	11,167	33,501	51,512	80,000
DF-1-40	5	9032.1	20.23	60	15.5	10,081	30,242	46,501	80,000
DF-1-40	5	9022.1	19.93	60	15.8	9,931	29,794	45,811	80,000
DF-1-40	5	9022.1	17.52	60	18	8,730	26,191	40,272	80,000
DF-1-40	5	9032.1	17.08	60	18.4	8,511	25,533	39,260	80,000
DF-1-40	5	9022.1	16.3	60	19.3	8,122	24,367	37,467	80,000
DF-1-40	5	9032.1	15.73	60	20	7,838	23,515	36,157	80,000
DF-1-40	5	9022.1	14.56	60	21.6	7,255	21,766	33,468	80,000
DF-1-40	5	9032.1	13.49	60	23.3	6,722	20,167	31,008	80,000
DF-1-40	5	9032.1	12.68	60	24.8	6,319	18,956	29,146	80,000
DF-1-40	5	9022.1	12.51	60	25.1	6,234	18,702	28,756	80,000
DF-1-40	5	9022.1	11.13	60	28.3	5,546	16,639	25,584	80,000
DF-1-40	5	9032.1	10.73	60	29.3	5,347	16,041	24,664	80,000
DF-1-40	5	9032.1	8.48	60	37.1	4,226	12,677	19,492	80,000
DF-1-40	7.5	9032.1	23.91	100	13.2	17,872	53,616	91,600	80,000
DF-1-40	7.5	9042.1	23.89	100	13.2	17,857	53,571	91,523	80,000

 - INDICATES STANDARD MODEL

nabrico-marine.com

615.442.1300



The specifications and details described by drawings or text in this literature are subject to change without notice.

MODEL	MOTOR SIZE (HP)	GEAR-BOX MODEL	GEAR-BOX RATIO	BRAKE TORQUE (N-M)	LINE SPEED (FPM)	RATED LINE PULL (LBS)	STALL PULL (300%)	EST. BRAKE HOLDING (LBS)	DOG HOLDING (LBS)
DF-1-40	7.5	9042.1	20.32	100	15.5	15,189	45,566	77,846	80,000
DF-1-40	7.5	9032.1	20.23	100	15.5	15,121	45,364	77,501	80,000
DF-1-40	7.5	9042.1	18.2	100	17.3	13,604	40,812	69,724	80,000
DF-1-40	7.5	9032.1	17.08	100	18.4	12,767	38,300	65,434	80,000
DF-1-40	7.5	9032.1	15.73	100	20	11,758	35,273	60,262	80,000
DF-1-40	7.5	9042.1	15.66	100	20.1	11,705	35,116	59,994	80,000
DF-1-40	7.5	9032.1	13.49	100	23.3	10,083	30,250	51,680	80,000
DF-1-40	7.5	9042.1	13.4	100	23.5	10,016	30,048	51,336	80,000
DF-1-40	7.5	9032.1	12.68	100	24.8	9,478	28,434	48,577	80,000
DF-1-40	7.5	9032.1	10.73	100	29.3	8,020	24,061	41,107	80,000
DF-1-40	7.5	9032.1	8.48	100	37.1	6,339	19,016	32,487	80,000
DF-1-40	10	9042.1	20.32	100	15.5	20,251	60,754	77,846	80,000
DF-1-40	10	9042.1	18.2	100	17.3	18,139	54,416	69,724	80,000
DF-1-40	10	9042.1	15.66	100	20.1	15,607	46,821	59,994	80,000
DF-1-40	10	9042.1	13.4	100	23.5	13,355	40,064	51,336	80,000
DF-1-40	10	9042.1	11.4	100	27.6	11,361	34,084	43,674	80,000
DF-1-40	10	9042.1	10.21	100	30.8	10,176	30,527	39,115	80,000
DF-1-40	10	9042.1	9.39	100	33.5	9,358	28,075	35,973	80,000
DF-1-40	10	9042.1	8.83	100	35.6	8,800	26,400	33,828	80,000
DF-1-65	7.5	9042.1	27.91	60	8.5	27,624	82,872	77,364	130,000
DF-1-65	7.5	9042.1	23.89	60	9.9	23,645	70,935	66,221	130,000
DF-1-65	7.5	9042.1	20.23	60	11.7	20,023	60,068	56,076	130,000
DF-1-65	7.5	9042.1	18.2	60	13.1	18,013	54,040	50,449	130,000
DF-1-65	7.5	9042.1	15.66	60	15.2	15,499	46,498	43,408	130,000
DF-1-65	7.5	9042.1	13.4	60	17.7	13,263	39,788	37,144	130,000
DF-1-65	10	9042.1	27.91	100	8.5	36,832	110,496	128,941	130,000
DF-1-65	10	9042.1	23.89	100	9.9	31,527	94,580	110,369	130,000
DF-1-65	10	9042.1	20.32	100	11.7	26,816	80,447	93,876	130,000
DF-1-65	10	9042.1	18.2	100	13.1	24,018	72,054	84,082	130,000
DF-1-65	10	9042.1	15.66	100	15.2	20,666	61,998	72,347	130,000
DF-1-65	10	9042.1	13.4	100	17.7	17,684	53,051	61,906	130,000
DF-1-65	10	9042.1	11.4	100	20.8	15,044	45,133	52,667	130,000
DF-1-65	10	9042.1	10.21	100	23.3	13,474	40,421	47,169	130,000
DF-1-65	10	9042.1	9.39	100	25.3	12,392	37,175	43,381	130,000
DF-1-65	10	9042.1	8.83	100	26.9	11,653	34,958	40,793	130,000
DF-1-65	15	9042.1	27.91	100	8.5	55,248	165,743	128,941	130,000
DF-1-65	15	9042.1	23.89	100	9.9	47,290	141,871	110,369	130,000
DF-1-65	15	9042.1	20.32	100	11.7	40,223	120,670	93,876	130,000
DF-1-65	15	9052.1	19.91	150	11.9	39,412	118,236	137,972	130,000
DF-1-65	15	9042.1	18.2	150	13.1	36,027	108,081	126,122	130,000

 - INDICATES STANDARD MODEL



NABRICO

nabrico-marine.com

615.442.1300

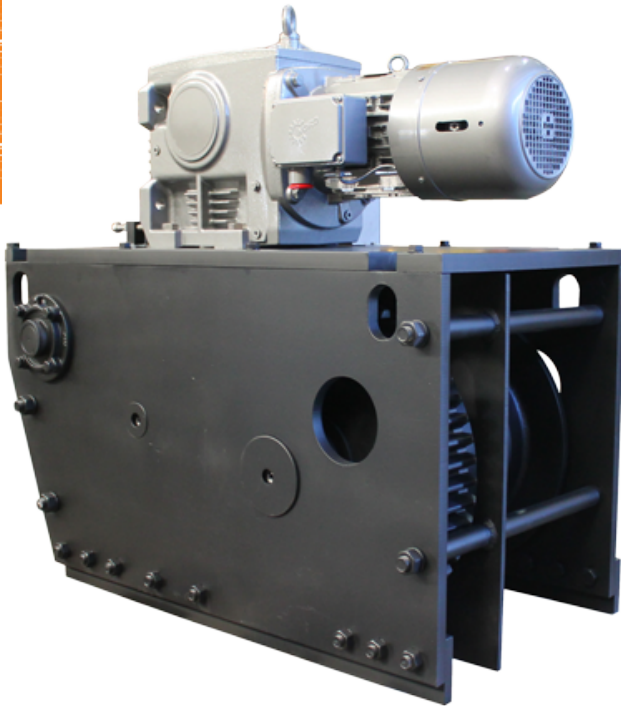
The specifications and details described by drawings or text in this literature are subject to change without notice.

MODEL	MOTOR SIZE (HP)	GEAR-BOX MODEL	GEAR-BOX RATIO	BRAKE TORQUE (N-M)	LINE SPEED (FPM)	RATED LINE PULL (LBS)	STALL PULL (300%)	EST. BRAKE HOLDING (LBS)	DOG HOLDING (LBS)
DF-1-65	15	9052.1	17.94	150	13.2	35,512	106,537	124,321	130,000
DF-1-65	15	9052.1	16.33	150	14.5	32,325	96,976	113,164	130,000
DF-1-65	15	9042.1	15.66	150	15.2	30,999	92,997	108,521	130,000
DF-1-65	15	9052.1	13.45	150	17.7	26,624	79,873	93,206	130,000
DF-1-65	15	9042.1	13.4	150	17.7	26,525	79,576	92,859	130,000
DF-1-65	15	9052.1	11.88	250	20	23,516	70,549	137,210	130,000
DF-1-65	15	9042.1	11.4	250	20.8	22,566	67,699	131,666	130,000
DF-1-65	15	9052.1	10.71	250	22.2	21,200	63,601	123,697	130,000
DF-1-65	15	9042.1	10.21	250	23.3	20,211	60,632	117,922	130,000
DF-1-65	15	9052.1	9.93	250	23.9	19,656	58,969	114,688	130,000
DF-1-65	15	9052.1	9.4	250	25.3	18,607	55,822	108,567	130,000
DF-1-65	15	9042.1	9.39	250	25.3	18,588	55,763	108,451	130,000
DF-1-65	15	9042.1	8.83	250	26.9	17,479	52,437	101,984	130,000
DF-1-65	15	9052.1	8.1	250	29.3	16,034	48,102	93,552	130,000
DF-1-100	15	9072.1	35.19	250	10	47,200	141,600	200,000	200,000

 - INDICATES STANDARD MODEL

DF-656 ELECTRIC WINCH

WINCHES



FEATURES

- Free-wheeling cable pull out.
- Handwheel provision for manual operation.
- Oversized sprockets and chain.
- Inverter/vector duty marine double coated epoxy dipped motor.
- Moisture resistant varnish dipped motor windings with tropical protection.
- Insulation system conforms NEMA MG1-1998, section 31.4.4.2.
- Mechanical locking dog.
- Minimal maintenance.
- Precision machined side plates, gears and shafts to maintain proper gear tooth engagement and minimize wear.
- Winch blasted near-white with a 3-part marine grade epoxy paint standard.
- Gearmotor painted with aliphatic polyurethane paint with 316 stainless steel flake and is very corrosion resistant.
- Galvanized coating in stock.

MODEL No.	LINE SPEED (FPM)	LINE PULL (LBS)	DOG HOLDING (LBS)	DRUM CAPACITIES (FT)				DIMENSIONAL DATA			WEIGHT (lbs.)
				5/8"	3/4"	7/8"	1"	W	L	H	
DF-656-40	REFER TO DF-656 LINE PULL AND SPEED OPTIONS TABLE	80,000	287	180	130	100	27-3/4"	41-1/2"	39-1/4"	2,040	
DF-656-65		120,000	572	325	262	200	30-3/4"	54"	46-1/2"	3,100	



NABRICO

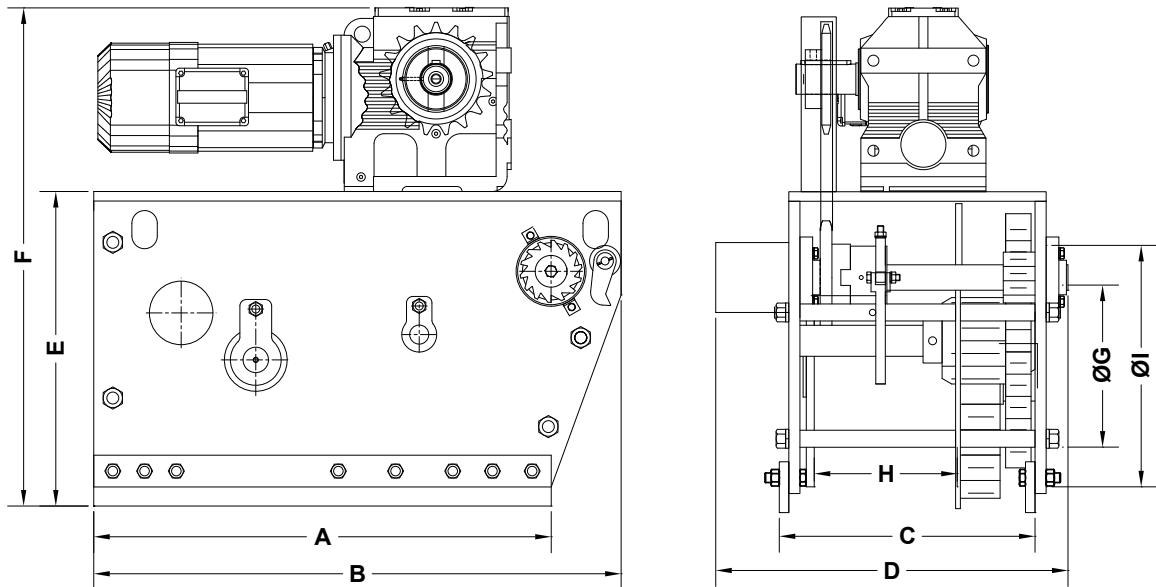
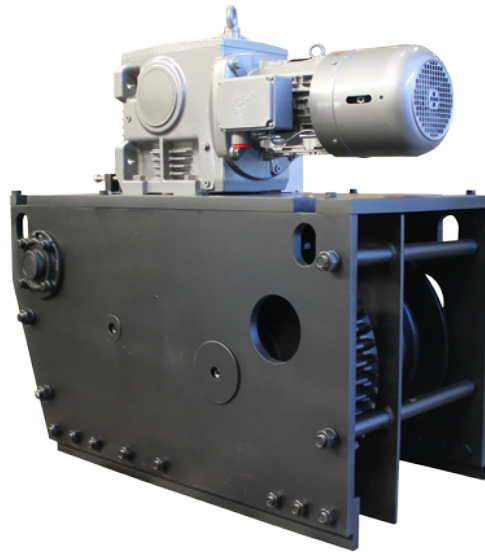
nabrico-marine.com

615.442.1300

The specifications and details described by drawings or text in this literature are subject to change without notice.

DF-656 ELECTRIC WINCH

WINCHES

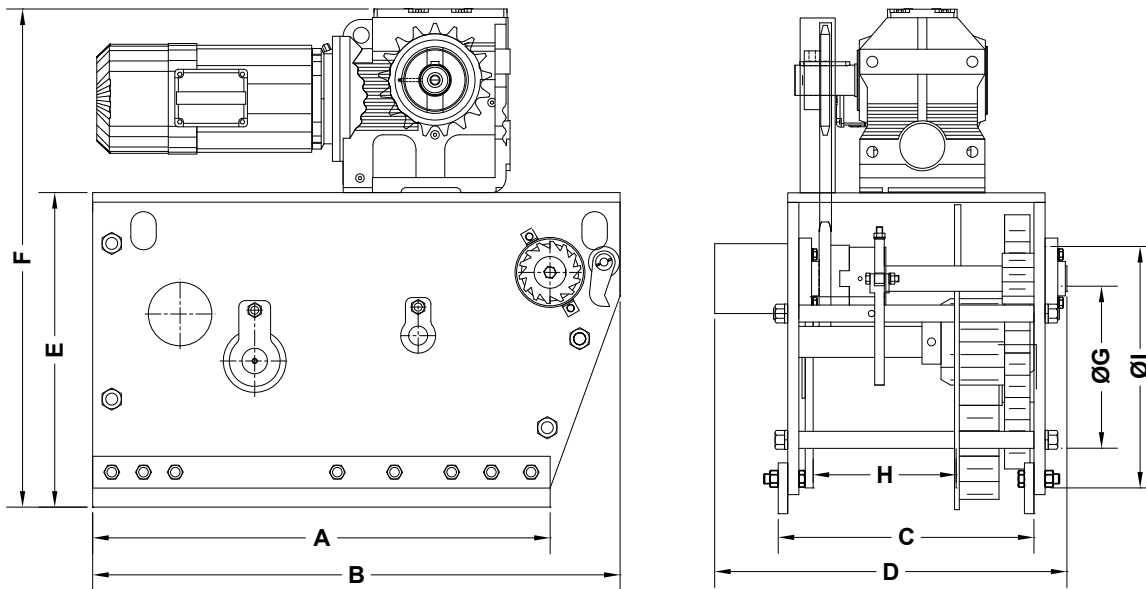
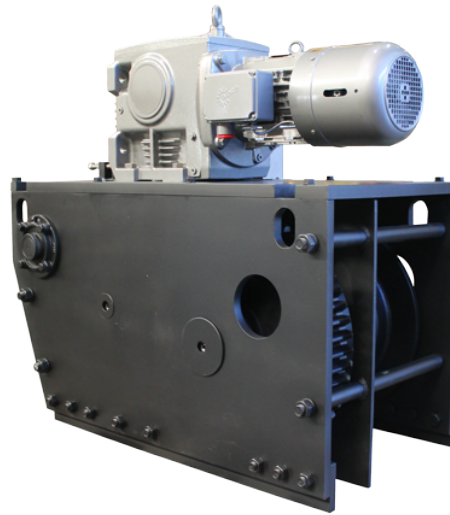


COATINGS	UNIVERSAL
PAINTED	65600
GALVANIZED	65603

MODEL No.	PART No.	A	B	C	D	E	F	ØG	H	ØI	WT. (lbs.)
DF-656-40-E	REFER TO COATINGS TABLE	36"	41-1/2"	20-1/8"	27-3/4"	24-3/4"	39-1/4"	12-3/4"	11-1/4"	19"	2040

DF-656 ELECTRIC WINCH

WINCHES



MODEL No.	A	B	C	D	E	F	ØG	H	ØI
DF-656-65-E	47"	54"	23-1/8"	30-3/4"	32"	46-1/2"	14"	10-5/8"	24"



NABRICO

nabrico-marine.com

615.442.1300

The specifications and details described by drawings or text in this literature are subject to change without notice.

DF-656 LINE PULL AND SPEED OPTIONS

WINCHES

MODEL	MOTOR SIZE (HP)	GEAR-BOX MODEL	GEAR-BOX RATIO	BRAKE TORQUE (N-M)	LINE SPEED (FPM)	RATED LINE PULL (LBS)	STALL PULL (300%)	EST. BRAKE HOLDING (LBS)	DOG HOLDING (LBS)
DF-656-40	5	SK 42125	31.82	40	9.3	15,074	45,222	57,904	80,000
DF-656-40	5	SK 42125	31.82	60	9.3	15,074	45,222	86,856	80,000
DF-656-40	5	SK 42125	25.83	40	11.5	12,236	36,709	47,004	80,000
DF-656-40	5	SK 42125	25.83	60	11.5	12,236	36,709	70,505	80,000
DF-656-40	5	SK 42125	22.11	40	13.4	10,474	31,422	40,234	80,000
DF-656-40	5	SK 42125	22.11	60	13.4	10,474	31,422	60,351	80,000
DF-656-40	5	SK 42125	18.80	40	15.7	8,906	26,718	34,211	80,000
DF-656-40	5	SK 42125	18.80	60	15.7	8,906	26,718	51,316	80,000
DF-656-40	5	SK 42125	15.92	40	18.6	7,542	22,625	28,970	80,000
DF-656-40	5	SK 42125	15.92	60	18.6	7,542	22,625	43,455	80,000
DF-656-40	5	SK 42125	12.93	40	22.9	6,125	18,376	23,529	80,000
DF-656-40	5	SK 42125	12.93	60	22.9	6,125	18,376	35,294	80,000
DF-656-40	7.5	SK 42125	25.83	60	11.5	12,236	36,709	70,505	80,000
DF-656-40	7.5	SK 42125	25.83	100	11.5	12,236	36,709	117,509	80,000
DF-656-40	7.5	SK 42125	22.11	60	13.4	10,474	31,422	60,351	80,000
DF-656-40	7.5	SK 42125	18.8	60	15.7	8,906	26,718	51,316	80,000
DF-656-40	7.5	SK 42125	18.8	100	15.7	8,906	26,718	85,527	80,000
DF-656-40	7.5	SK 42125	15.92	60	18.6	7,542	22,625	43,455	80,000
DF-656-40	7.5	SK 42125	15.92	100	18.6	7,542	22,625	72,425	80,000
DF-656-40	7.5	SK 42125	14.57	60	20.3	6,902	20,706	39,770	80,000
DF-656-40	7.5	SK 42125	14.57	100	20.3	6,902	20,706	66,284	80,000
DF-656-40	7.5	SK 42125	12.93	60	22.9	6,125	18,376	35,294	80,000
DF-656-40	7.5	SK 42125	12.93	100	22.9	6,125	18,376	58,823	80,000
DF-656-40	7.5	SK 42125	11.06	60	26.8	5,239	15,718	30,189	80,000
DF-656-40	7.5	SK 42125	11.06	100	26.8	5,239	15,718	50,316	80,000
DF-656-40	7.5	SK 42125	9.41	60	31.5	4,458	13,373	25,686	80,000
DF-656-40	7.5	SK 42125	9.41	100	31.5	4,458	13,373	42,809	80,000
DF-656-40	10	SK 42125	22.11	60	13.4	10,474	31,422	60,351	80,000
DF-656-40	10	SK 42125	18.8	60	15.7	8,906	26,718	51,316	80,000
DF-656-40	10	SK 42125	15.92	60	18.6	7,542	22,625	43,455	80,000
DF-656-40	10	SK 42125	15.92	100	18.6	7,542	22,625	72,425	80,000
DF-656-40	10	SK 42125	14.57	60	20.3	6,902	20,706	39,770	80,000
DF-656-40	10	SK 42125	14.57	100	20.3	6,902	20,706	66,284	80,000
DF-656-40	10	SK 42125	12.93	60	22.9	6,125	18,376	35,294	80,000
DF-656-40	10	SK 42125	12.93	100	22.9	6,125	18,376	58,823	80,000
DF-656-65	7.5	SK 42125	25.83	60	8.7	24,304	72,911	85,024	120,000
DF-656-65	7.5	SK 42125	22.11	60	10.1	20,804	62,411	72,779	120,000
DF-656-65	7.5	SK 42125	22.11	100	10.1	20,804	62,411	121,298	120,000
DF-656-65	7.5	SK 42125	18.80	60	11.9	17,689	53,068	61,883	120,000
DF-656-65	7.5	SK 42125	18.80	100	11.9	17,689	53,068	103,139	120,000

 - INDICATES STANDARD MODEL

nabrico-marine.com

615.442.1300



The specifications and details described by drawings or text in this literature are subject to change without notice.

MODEL	MOTOR SIZE (HP)	GEAR-BOX MODEL	GEAR-BOX RATIO	BRAKE TORQUE (N-M)	LINE SPEED (FPM)	RATED LINE PULL (LBS)	STALL PULL (300%)	EST. BRAKE HOLDING (LBS)	DOG HOLDING (LBS)
DF-656-65	7.5	SK 42125	15.92	60	14.0	14,979	44,938	52,403	120,000
DF-656-65	7.5	SK 42125	15.92	100	14.0	14,979	44,938	87,339	120,000
DF-656-65	7.5	SK 42125	14.57	60	15.3	13,709	41,127	47,959	120,000
DF-656-65	7.5	SK 42125	14.57	100	15.3	13,709	41,127	79,932	120,000
DF-656-65	7.5	SK 42125	12.93	60	17.3	12,166	36,498	42,561	120,000
DF-656-65	7.5	SK 42125	12.93	100	17.3	12,166	36,498	70,935	120,000
DF-656-65	10	SK 42125	25.83	60	8.7	24,304	72,911	85,024	120,000
DF-656-65	10	SK 42125	25.83	100	8.7	24,304	72,911	141,706	120,000
DF-656-65	10	SK 42125	22.11	60	10.1	20,804	62,411	72,779	120,000
DF-656-65	10	SK 42125	22.11	100	10.1	20,804	62,411	121,298	120,000
DF-656-65	10	SK 42125	18.8	60	11.9	17,689	53,068	61,883	120,000
DF-656-65	10	SK 42125	18.8	100	11.9	17,689	53,068	103,139	120,000
DF-656-65	10	SK 42125	15.92	60	14.0	14,979	44,938	52,403	120,000
DF-656-65	10	SK 42125	15.92	100	14.0	14,979	44,938	87,339	120,000
DF-656-65	10	SK 42125	14.57	60	15.3	13,709	41,127	47,959	120,000
DF-656-65	10	SK 42125	14.57	100	15.3	13,709	41,127	79,932	120,000
DF-656-65	10	SK 42125	12.93	60	17.3	12,166	36,498	42,561	120,000
DF-656-65	10	SK 42125	12.93	100	17.3	12,166	36,498	70,935	120,000
DF-656-65	10	SK 42125	11.06	60	20.2	10,407	31,220	36,406	120,000
DF-656-65	10	SK 42125	11.06	100	20.2	10,407	31,220	60,676	120,000
DF-656-65	10	SK 42125	9.41	60	23.8	8,854	26,562	30,975	120,000
DF-656-65	10	SK 42125	9.41	100	23.8	8,854	26,562	51,624	120,000
DF-656-65	15	SK 42125	22.11	100	10.1	20,804	62,411	121,298	120,000
DF-656-65	15	SK 42125	18.8	100	11.9	17,689	53,068	103,139	120,000
DF-656-65	15	SK 42125	15.92	100	14.0	14,979	44,938	87,339	120,000
DF-656-65	15	SK 42125	15.92	150	14.0	14,979	44,938	131,008	120,000
DF-656-65	15	SK 42125	14.57	100	15.3	13,709	41,127	79,932	120,000
DF-656-65	15	SK 42125	14.57	150	15.3	13,709	41,127	119,899	120,000
DF-656-65	15	SK 42125	12.93	100	17.3	12,166	36,498	70,935	120,000
DF-656-65	15	SK 42125	12.93	150	17.3	12,166	36,498	106,403	120,000
DF-656-65	15	SK 42125	11.06	100	20.2	10,407	31,220	60,676	120,000
DF-656-65	15	SK 42125	11.06	150	20.2	10,407	31,220	91,014	120,000
DF-656-65	15	SK 42125	9.41	100	23.8	8,854	26,562	51,624	120,000
DF-656-65	15	SK 42125	9.41	150	23.8	8,854	26,562	77,436	120,000
DF-656-65	15	SK 42125	8.43	100	26.5	7,932	23,796	46,248	120,000
DF-656-65	15	SK 42125	8.43	150	26.5	7,932	23,796	69,372	120,000
DF-656-65	15	SK 42125	7.76	100	28.8	7,301	21,904	42,572	120,000
DF-656-65	15	SK 42125	7.76	150	28.8	7,301	21,904	63,858	120,000

 - INDICATES STANDARD MODEL



NABRICO

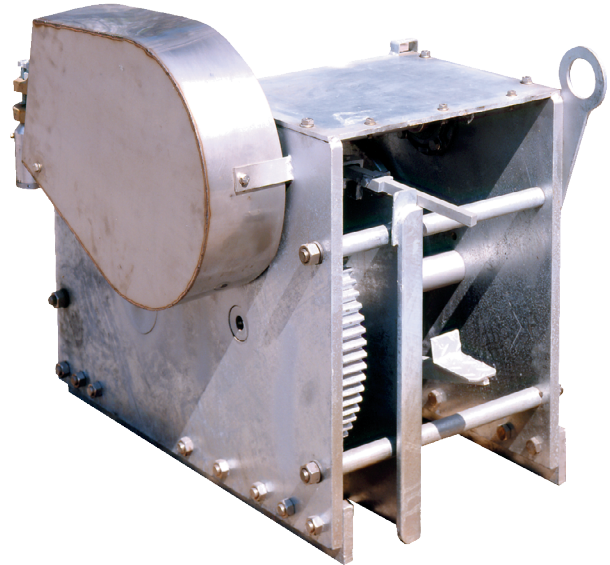
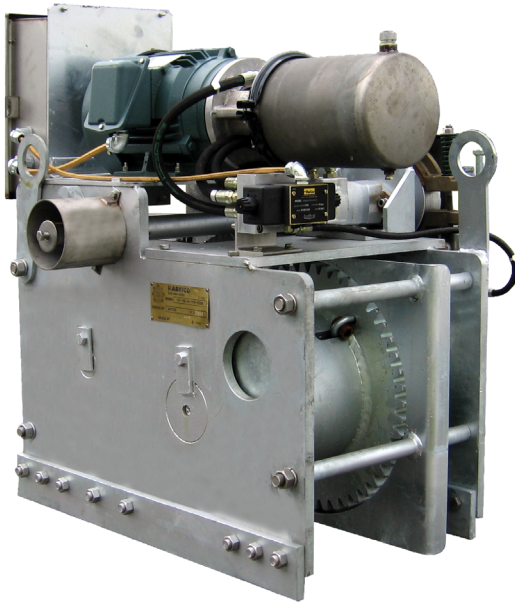
nabrico-marine.com

615.442.1300

The specifications and details described by drawings or text in this literature are subject to change without notice.

HYDRA-ELECTRIC WINCH

WINCHES

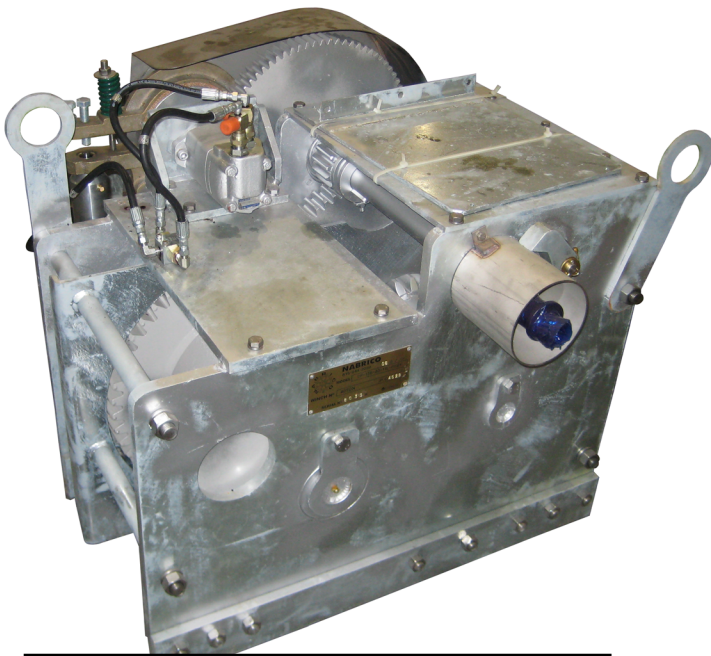


- SELF-CONTAINED HYDRAULIC / ELECTRIC POWER UNIT WITH STAINLESS STEEL TANK.
- WINCH OPERATION CAN ALSO BE ACHIEVED BY CUSTOMER SUPPLIED HYDRAULIC POWER OR REMOTE MOUNTED POWER SUPPLY.
- FAIL-SAFE BRAKE.
- MECHANICAL DOG FOR EMERGENCY MANUAL OPERATION.
- HOT-DIPPED GALVANIZED STANDARD.
- FREE WHEELING FEATURE TO ALLOW FASTER CABLE PULL-OUT.
- STAINLESS STEEL COMPONENTS: GUARDS, TANKS AND FASTENERS.
- FULLY SYNTHETIC BIODEGRADABLE HYDRAULIC FLUID.
- TRUE LEFT OR RIGHT HAND MODELS FOR USE IN PAIRS.
- HYDRAULIC SYSTEM PREVENTS POWER SPIKES.

MODEL No.	HOLDING DOG &/OR BRAKE	LINE PULL @ FIRST LAYER (LBS)		DRUM CAPACITIES (FT)				LINE SPEED	WEIGHT	DIMENSIONAL DATA		
	S. TONS	HYDRA ELECTRIC	HAND-WHEEL ONE MAN	5/8"	3/4"	7/8"	1"	FPM	LBS	W	L	H
DF-156-10-6-HE	10	3,150 LBS @ 1,100 PSI	7,000	174	129	-	-	23.5	897	10-5/16"	22-1/2"	42-3/8"
DF-156-20-7-HE	20	10,500 LBS @ 1,800 PSI	14,000	109	57	39	21	17.2	1,284	15-1/2"	30"	41"
DF-156-40-11-HE	40	23,000 LBS @ 1,800 PSI	15,000	287	176	130	84	12.8	1,930	20-1/8"	36"	40"
DF-156-40-18-HE	40	23,000 LBS @ 1,800 PSI	15,000	463	279	151	139	12.8	2,500	39-1/2"	36"	40"
DF-156-60-11-HE	60	33,480 LBS @ 2,200 PSI	24,000	572	325	262	200	9.9	3,460	23-1/8"	46-7/8"	51"

HYDRA-ELECTRIC WINCH - REMOTE POWER PACK

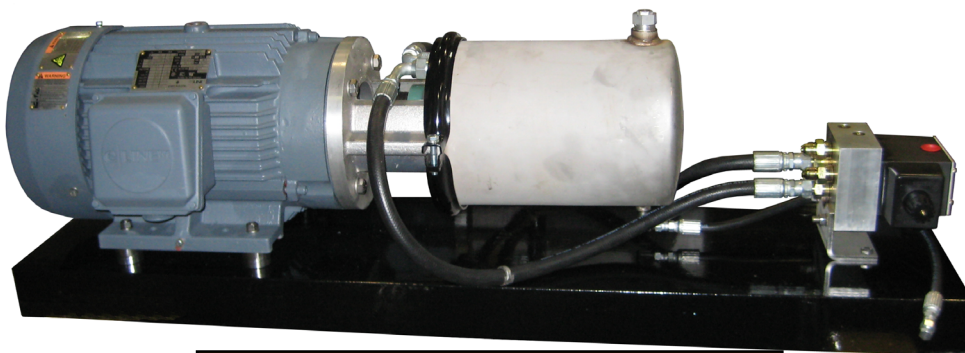
WINCHES



SHUTTLE VALVE WINCH



CONTROL BOX



REMOTE POWER PACK


NABRICO

nabrigo-marine.com

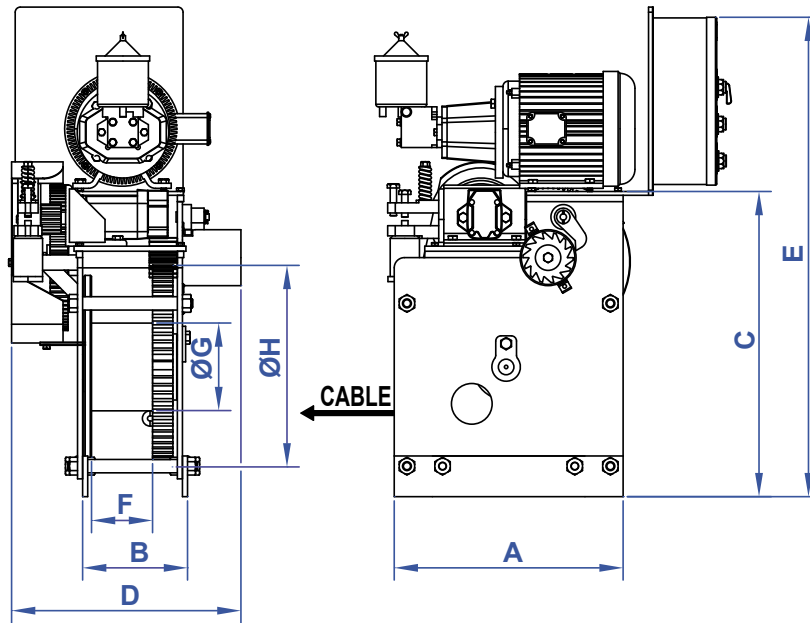
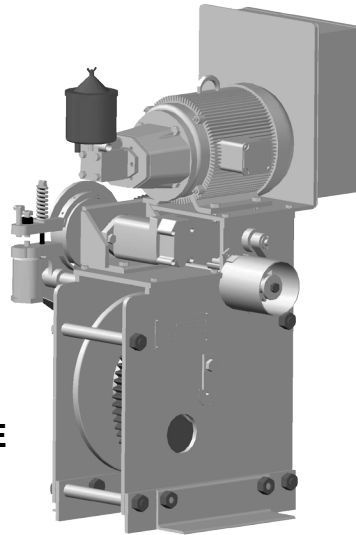
615.442.1300

The specifications and details described by drawings or text in this literature are subject to change without notice.

10 TON HYDRA-ELECTRIC WINCH

WINCHES

LEFT HAND WINCH SHOWN
RIGHT HAND WINCH OPPOSITE

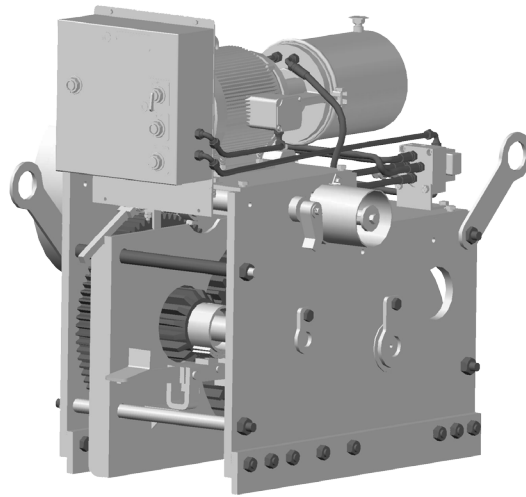


COATINGS	RH WINCH PART No.	LH WINCH PART No.
GALVANIZED	72478	72486

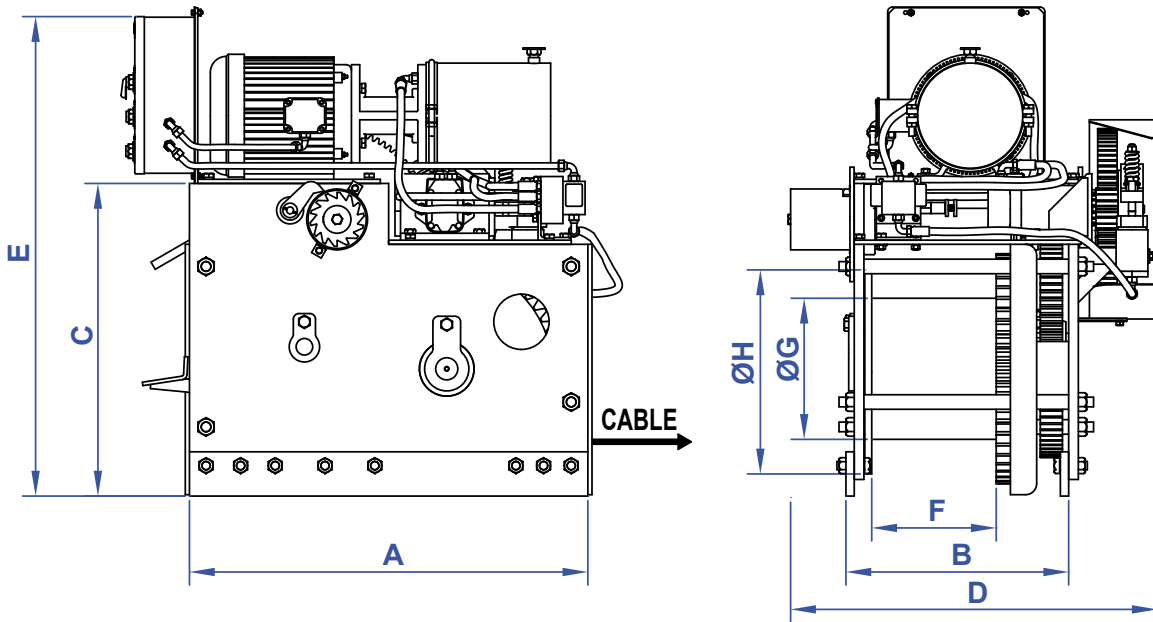
MODEL No.	PART No.	A	B	C	D	E	F	ØG	ØH	WT. (lbs.)
DF-156-10	REFER TO COATINGS TABLE	22-1/2"	10-3/8"	25"	22-1/2"	40"	8-5/8"	6"	18"	900

20 TON HYDRA-ELECTRIC WINCH

WINCHES



RIGHT HAND WINCH SHOWN
LEFT HAND WINCH OPPOSITE



COATINGS	RH WINCH PART No.	LH WINCH PART No.
GALVANIZED	87580	87599

MODEL No.	PART No.	A	B	C	D	E	F	ØG	ØH	WT. (lbs.)
DF-156-20	REFER TO COATINGS TABLE	30"	15-3/8"	25-3/4"	28"	41-1/4"	7-1/4"	10-3/4"	16"	1300



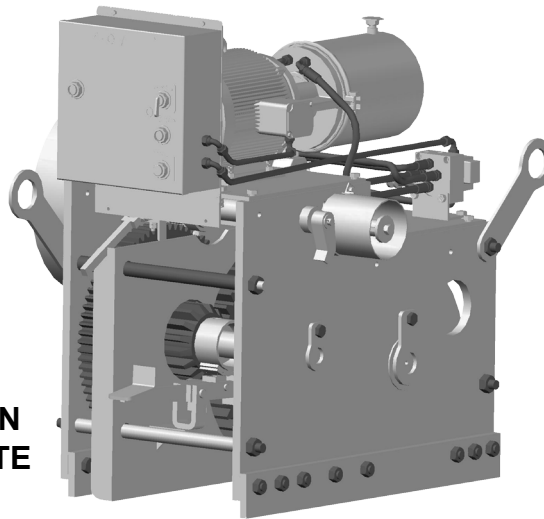
nabrico-marine.com

615.442.1300

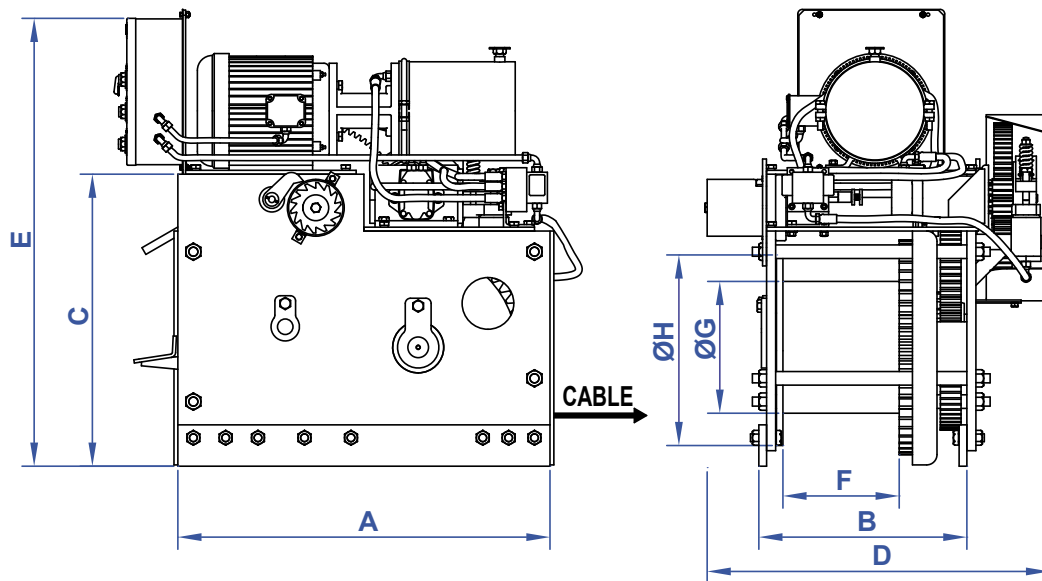
The specifications and details described by drawings or text in this literature are subject to change without notice.

40 TON HYDRA-ELECTRIC WINCH

WINCHES



RIGHT HAND WINCH SHOWN
LEFT HAND WINCH OPPOSITE



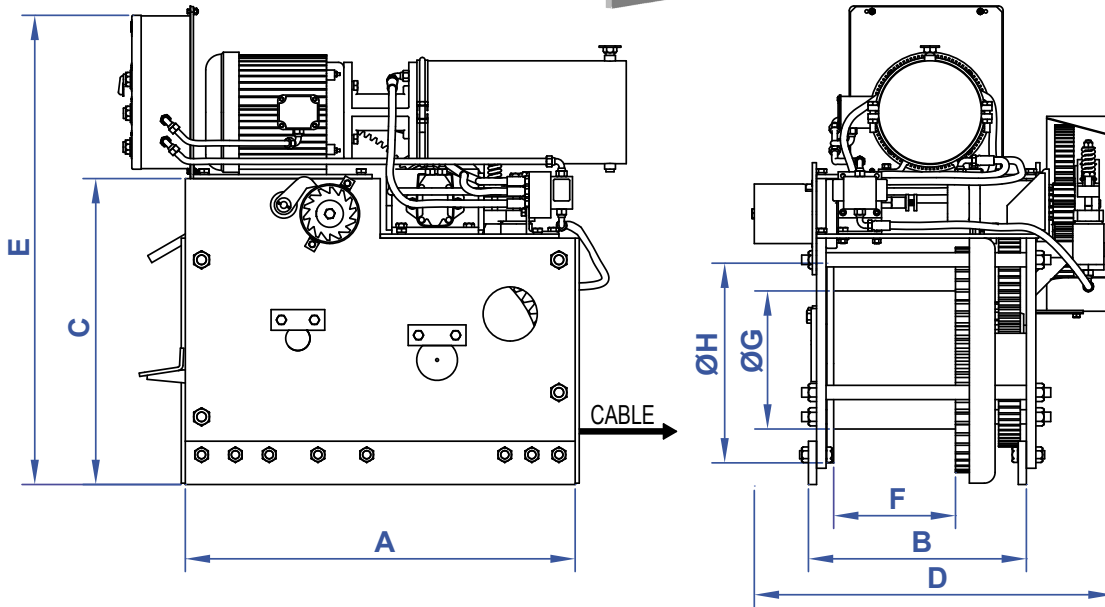
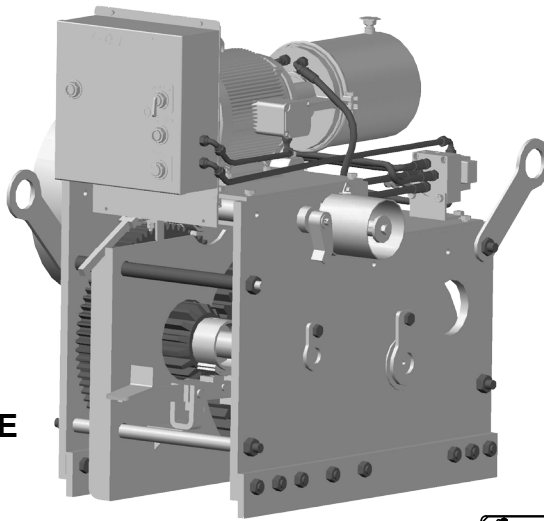
COATINGS	DRUM WIDTH	RH WINCH PART No.	LH WINCH PART No.
GALVANIZED	11-1/4"	87297	87300
GALVANIZED	18-1/8"	87273	87291

MODEL No.	PART No.	A	B	C	D	E	F	ØG	ØH	WT. (lbs.)
DF-156-40-11	REFER TO COATINGS TABLE	36"	20-1/8"	28-5/8"	32-1/2"	44-1/8"	11-1/4"	12-3/4"	19"	2100
DF-156-40-18	REFER TO COATINGS TABLE	36"	27-1/4"	28-5/8"	39-1/2"	44-1/8"	18-1/4"	12-3/4"	19"	2,500

60 TON HYDRA-ELECTRIC WINCH

WINCHES

RIGHT HAND WINCH SHOWN
LEFT HAND WINCH OPPOSITE



COATINGS	RH WINCH PART No.	LH WINCH PART No.
GALVANIZED	87726	87734

MODEL No.	PART No.	A	B	C	D	E	F	ØG	ØH	WT. (lbs.)
DF-156-60	REFER TO COATINGS TABLE	47"	23-1/8"	36-1/4"	36"	51-3/4"	10-5/8"	14"	24"	3460



NABRICO

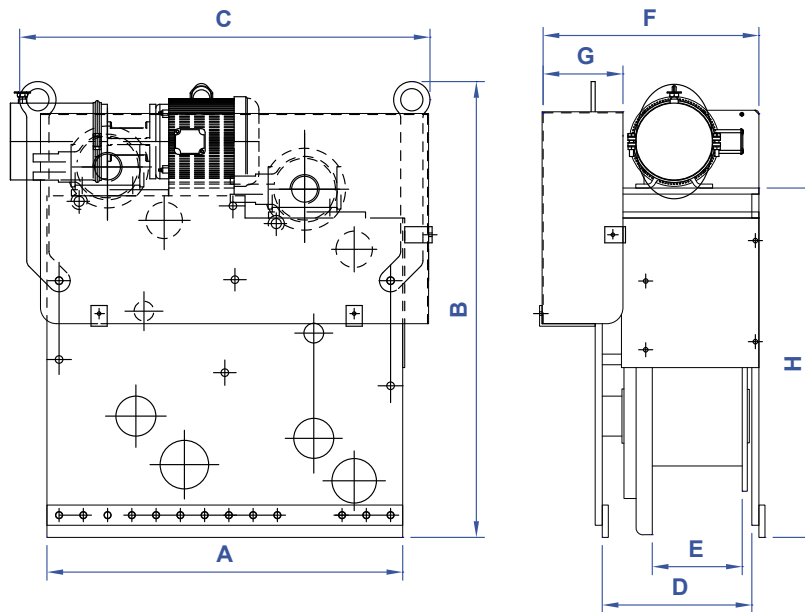
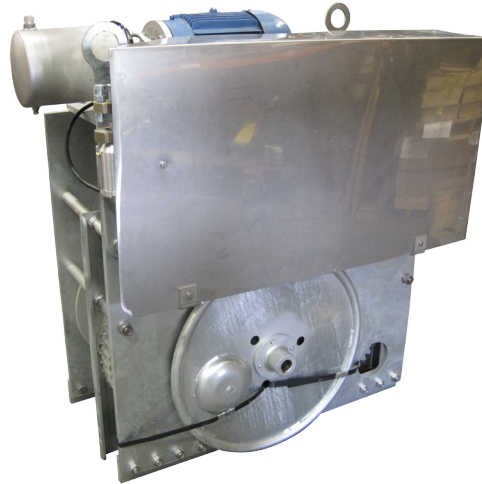
nabrico-marine.com

615.442.1300

The specifications and details described by drawings or text in this literature are subject to change without notice.

40 TON DOUBLE DRUM WINCH

WINCHES

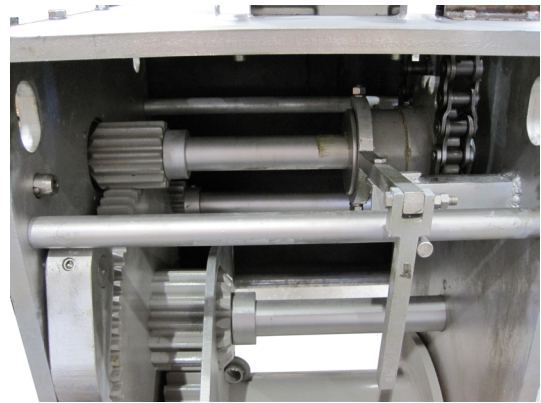
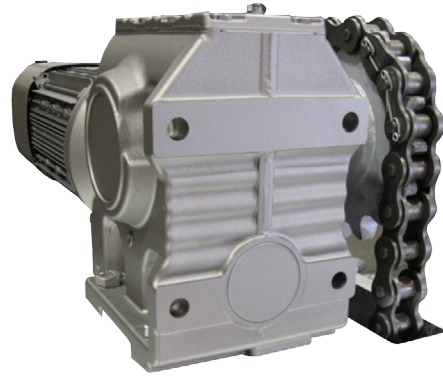


COATINGS	RH WINCH PART No.	LH WINCH PART No.
GALVANIZED	75159	75167

MODEL No.	PART No.	A	B	C	D	E	F	G	H	WT. (lbs.)
DF-156-40-DD-HE	REFER TO COATING TABLE	44"	56-3/8"	50-3/4"	18-1/2"	11-1/8"	26-5/8"	9-7/8"	43-1/4"	3100

SPUD WINCH

WINCHES



NABRICO's DF-1 Electric Spud winch has the same proven design as our DF-1 electric winch with some added features to handle the demands of a spud barge. A handwheel has been added to the winch for operation in the situations when the winch may not have power. In order to expedite lowering of the spud, a manual clutch has been installed along with a hand operated disc brake. This winch is available in our 40 and 65 ton styles. When ordering this winch, please specify length of spud travel, line speed and line pull required.



NABRICO

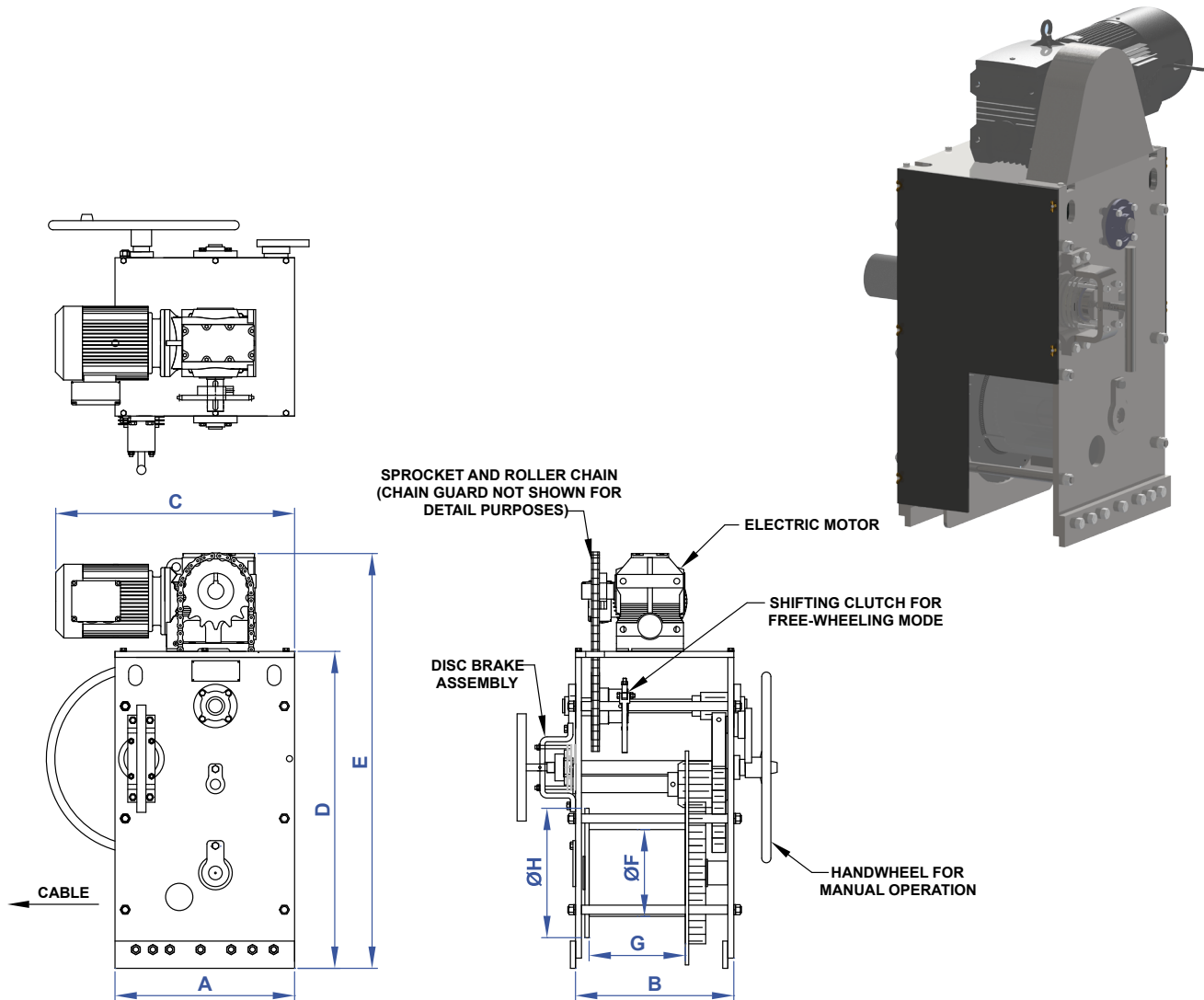
nabrico-marine.com

615.442.1300

The specifications and details described by drawings or text in this literature are subject to change without notice.

40 TON UPRIGHT SPUD WINCH

WINCHES



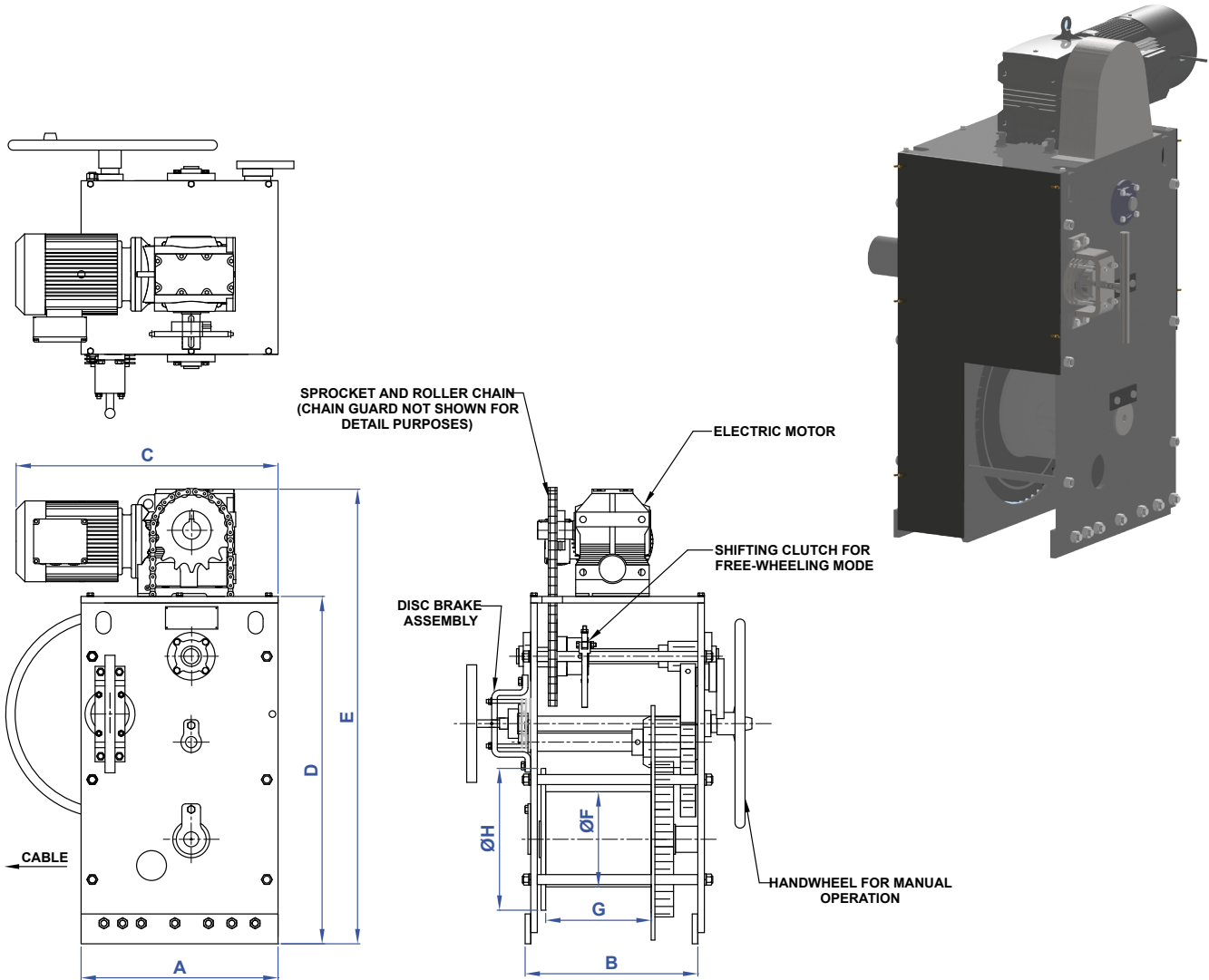
RIGHT HAND WINCH SHOWN
LEFT HAND WINCH OPPOSITE

COATINGS	RH WINCH PART No.	LH WINCH PART No.
GALVANIZED	84023	84022

MODEL No.	PART No.	A	B	C	D	E	ØF	G	ØH	WT. (lbs.)
DF-1-40	REFER TO COATINGS TABLE	26-3/8"	23-1/8"	34"	46-1/2"	61"	12-3/4"	14-1/8"	19"	2100

65 TON UPRIGHT SPUD WINCH

WINCHES



RIGHT HAND WINCH SHOWN
LEFT HAND WINCH OPPOSITE

COATINGS	RH WINCH PART No.	LH WINCH PART No.
GALVANIZED	83403	83402

MODEL No.	PART No.	A	B	C	D	E	ØF	G	ØH	WT. (lbs.)
DF-1-65	REFER TO COATINGS TABLE	32"	26-1/8"	38-1/2"	56"	70-1/2"	14"	13-5/8"	24"	2800


NABRICO

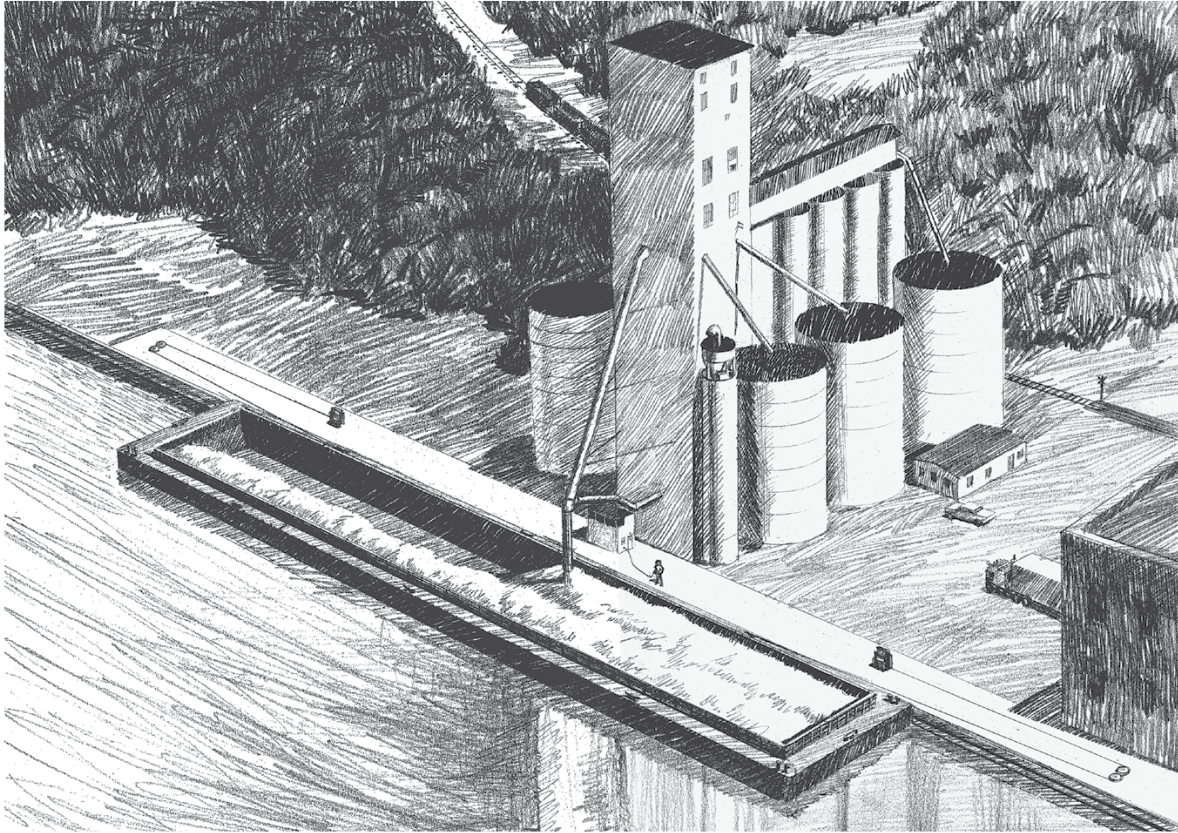
nabrico-marine.com

615.442.1300

The specifications and details described by drawings or text in this literature are subject to change without notice.

BARGE POSITIONING SYSTEM

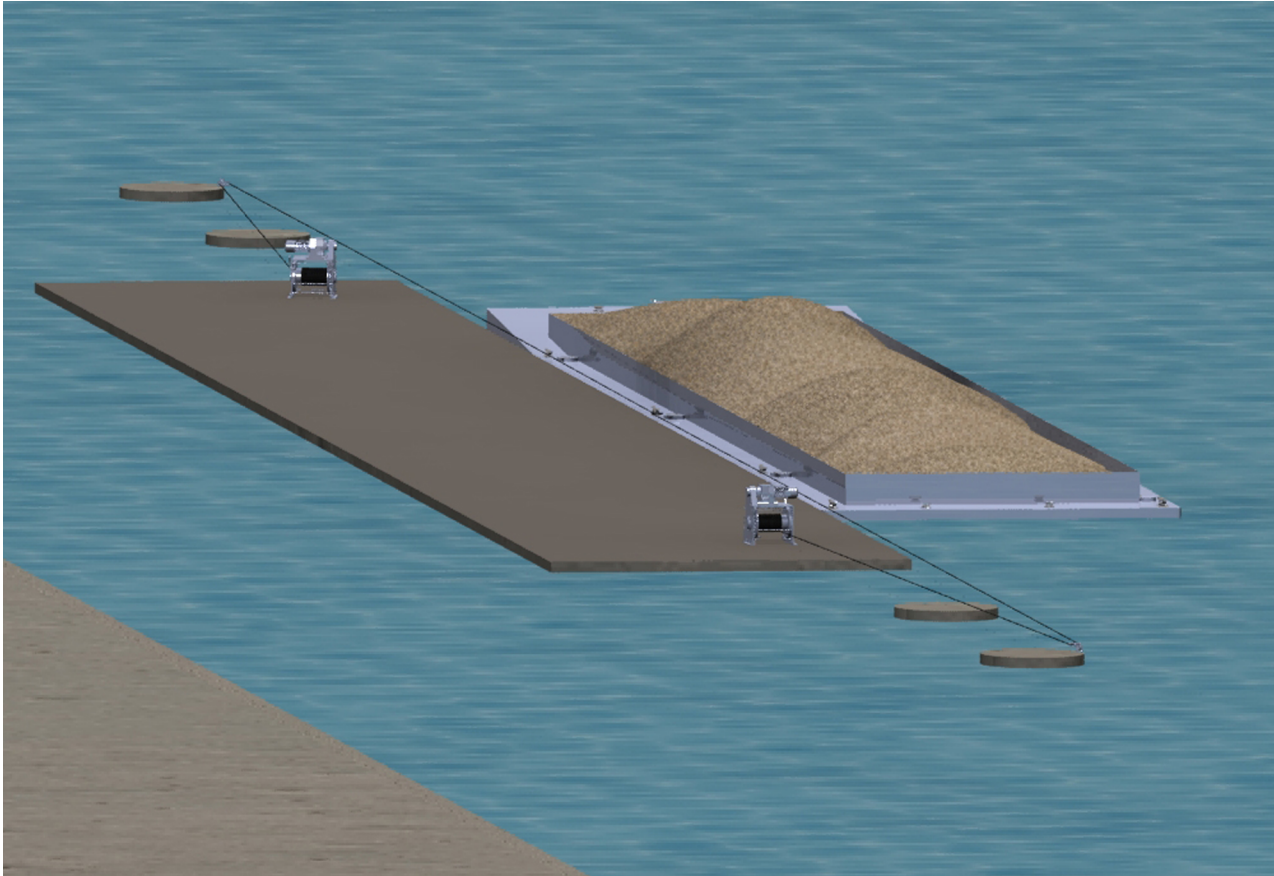
WINCHES



NABRICO's all electric constant tension positioning winch system consists of two winches, two variable speed drives, variable speed motors, failsafe brakes and PLC (programmable logic controls). These components have been engineered to allow one winch to be in a drive mode, pulling, while the other winch is in a torque mode, holding. When the object being positioned is at rest, both drives are in the torque mode, and the load holds its position on the dock, letting out cable during loading, and taking in cable during unloading. This also allows cable in and out as required during tide movement. The amount of torque/pull and speed on the cable is controlled by two potentiometers mounted on the control panel. The positioning winch system is capable of maintaining the full horsepower load at zero speed indefinitely. If there should be a loss of power or the emergency stop is pressed, the failsafe brakes hold the load.

BARGE POSITIONING SYSTEM

WINCHES



NABRICO has utilized proven winch designs with the latest drive and touch screen technology. Adjustable ramps have been programmed into the system to minimize the shock on the cable and hardware associated with starting and stopping. For additional information, drawings and specifications contact NABRICO.

NABRICO pioneered the positioning winch system. In addition to the standard model, the system is available in a larger 50 horsepower model and in a smaller 10 horsepower model. Using various motor and gearbox combinations, the line pull and speed can be changed since the basic engineering in the panel and winch remain the same. The positioning winch has industrial, marine and rail applications. The winch can produce a full horsepower load at zero speed indefinitely. If there should be a loss of power or the emergency stop is pressed, the failsafe brakes hold the load.


NABRICO

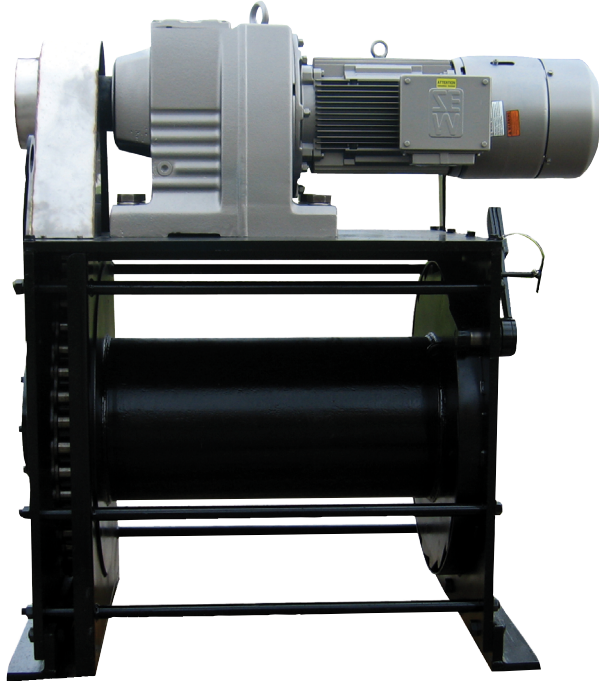
nabrico-marine.com

615.442.1300

The specifications and details described by drawings or text in this literature are subject to change without notice.

BARGE POSITIONING SYSTEM

36" Chain Drive Positioning Winch



WINCHES

Control Cabinet for Winches

NABRICO's most technologically advanced winches, backed by more than a century of recognizing and meeting the needs of the towing and transportation industries, provide an infinite number of line pulls and line speeds. The standard model has a starting capacity of 24,000 lbs., with 16,000 lbs. of constant tension at 30 fpm. Drum capacity is substantial, varying from 572 to 1328 feet. Accessible, clearly marked controls are available in a wireless, wired remote or local configuration.

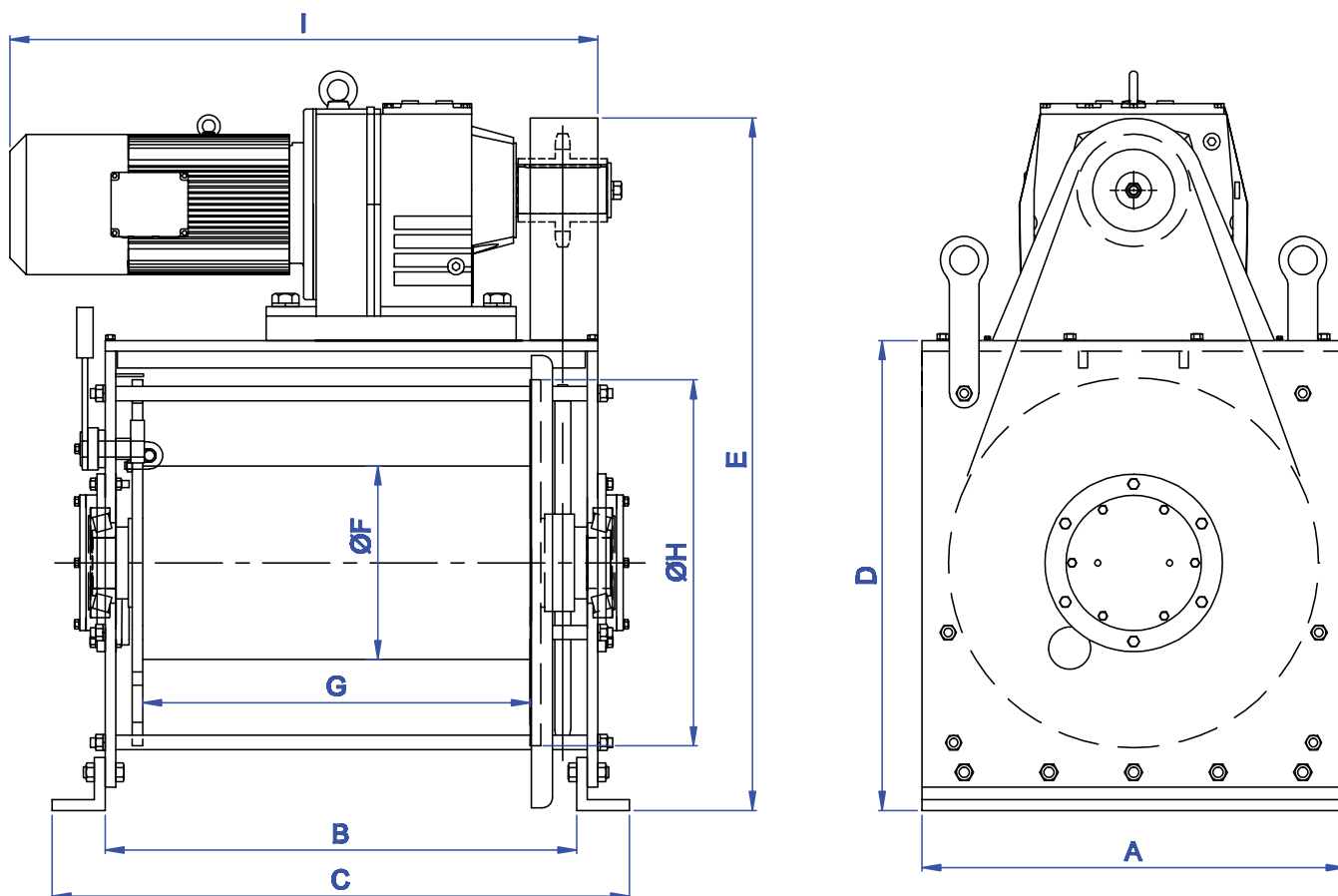


CABLE CAPACITY			LINE SPEED	LINE PULL
CABLE SIZE	24" DRUM WIDTH	36" DRUM WIDTH	STANDARD: INFINITELY VARIABLE FROM 0-30 FPM. CUSTOM APPLICATION UP TO 100 FPM.	STANDARD INFINITELY VARIABLE LINE PULL 48,000 LBS. AT MOTOR STALL; 24,000 LBS. STARTING AND 16,000 LBS. CONTINUOUS. CUSTOM APPLICATIONS ARE AVAILABLE.
3/4"	877'	1,328'		
7/8"	768'	1,165'		
1"	686'	1,043'		
1 1/8"	623'	948'		
1 1/4"	572'	872'		

NOTE: THE CAPACITIES GIVEN ABOVE ARE BASED ON UNIFORM ROPE WINDING TO FIVE (5) LAYERS. TENSION APPLIED DURING SPOOLING WILL ALSO AFFECT THE LENGTH.

BARGE POSITIONING WINCH (18" DRUM)

WINCHES



MODEL No.	PART No.	A	B	C	D	E	ØF	G	ØH	I	WT. (lbs.)
DF-CD-BMW-18	40031	32"	26-3/8"	36-1/8"	34-5/8"	54-1/8"	14"	18"	30"	38-1/2"	3000



NABRICO

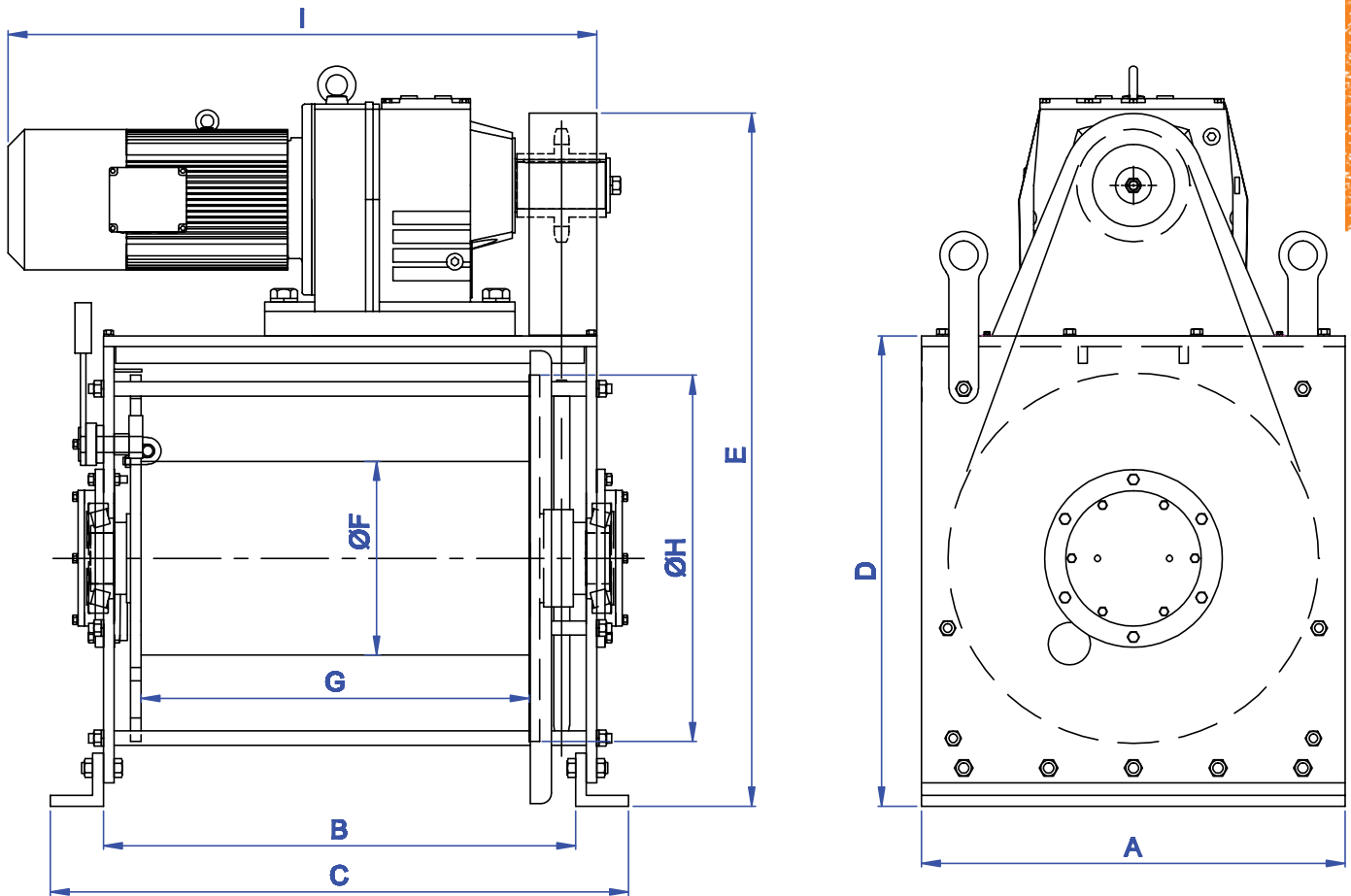
nabrico-marine.com

615.442.1300

The specifications and details described by drawings or text in this literature are subject to change without notice.

BARGE POSITIONING WINCH (24" DRUM)

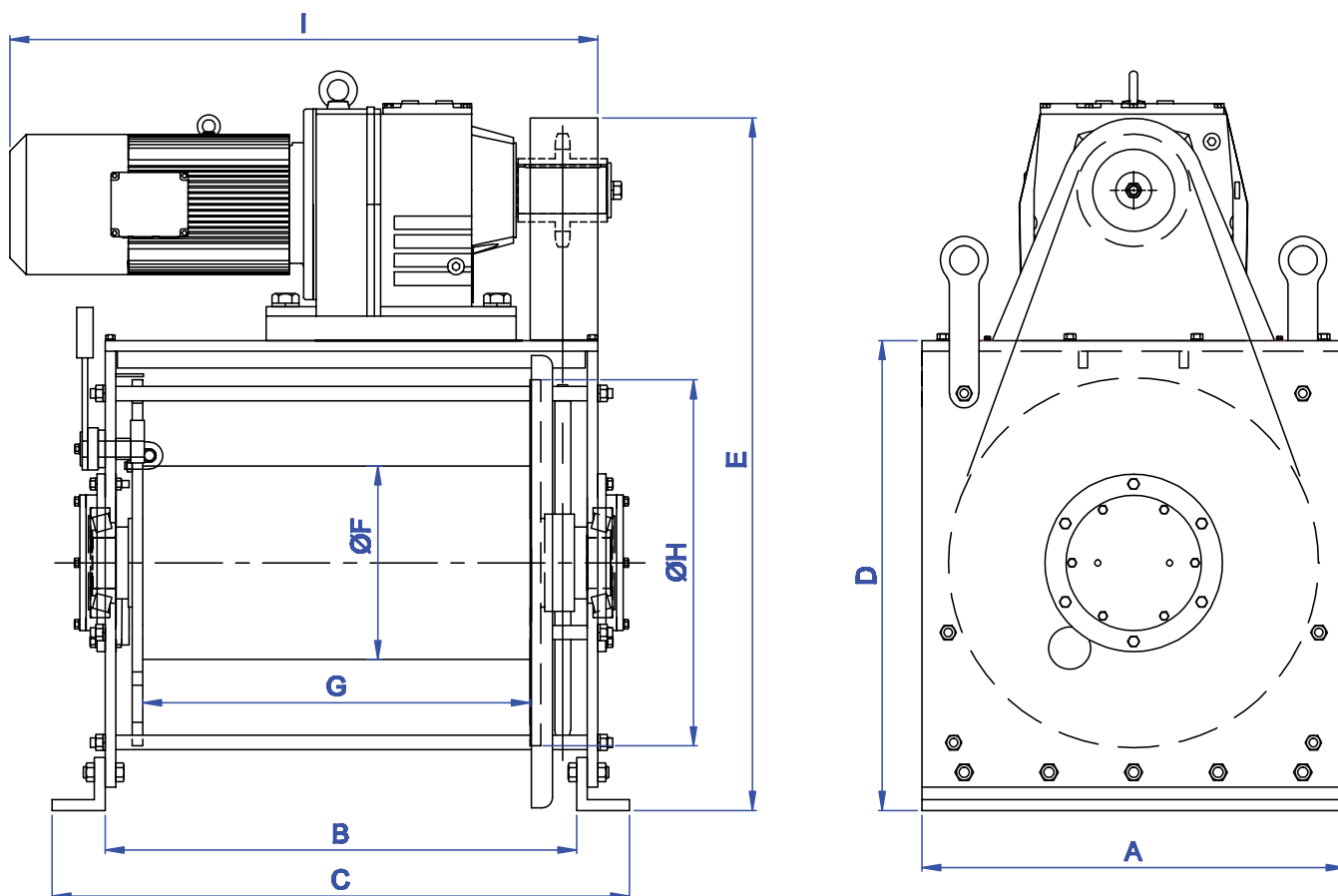
WINCHES



MODEL No.	PART No.	A	B	C	D	E	ØF	G	ØH	I	WT. (lbs.)
DF-CD-BMW-24	40033	39-3/8"	31-7/8"	41-11/16"	43-3/4"	62-7/8"	18"	24"	34"	38-1/2"	4000

BARGE POSITIONING WINCH (36" DRUM)

WINCHES



MODEL No.	PART No.	A	B	C	D	E	ØF	G	ØH	I	WT. (lbs.)
DF-CD-BMW-36	40038	39-3/8"	43-7/8"	53-11/16"	43-3/4"	65-3/4"	18"	36"	34"	57-5/8"	4500



NABRICO

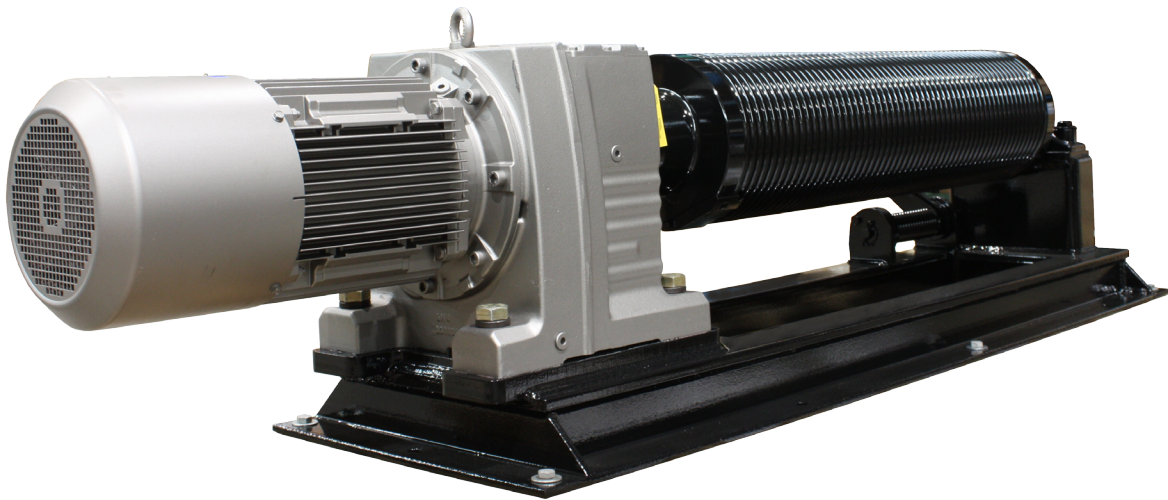
nabrico-marine.com

615.442.1300

The specifications and details described by drawings or text in this literature are subject to change without notice.

RAILCAR AND INDUSTRIAL WINCH

WINCHES



FEATURES

- Simple design.
- Solid Drum.
- Built for continuous service.
- Few parts.
- Pressure bar.
- Customizable to your specific job.
- Extends wire life by using a single layer and grooved drum.

nabrico-marine.com

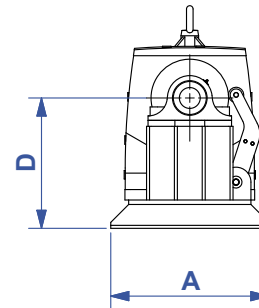
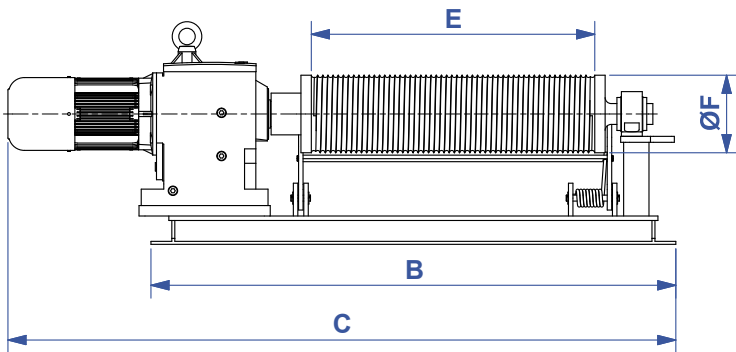
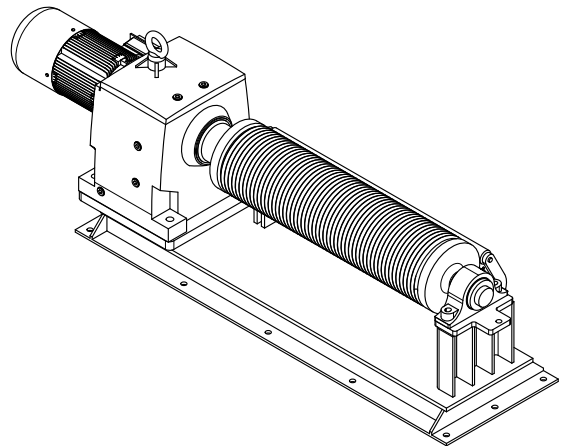
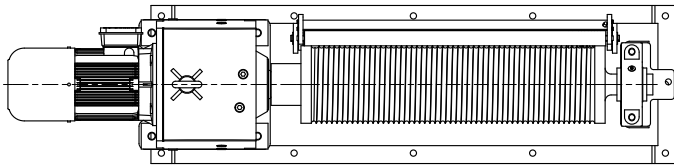
615.442.1300


NABRICO

The specifications and details described by drawings or text in this literature are subject to change without notice.

RAILCAR AND INDUSTRIAL WINCH

WINCHES



PART No.	A	B	C	D	E	ØF	WT. (lbs)
19776	26-1/2"	88"	112"	21-7/8"	47-1/2"	13"	1,000



NABRICO

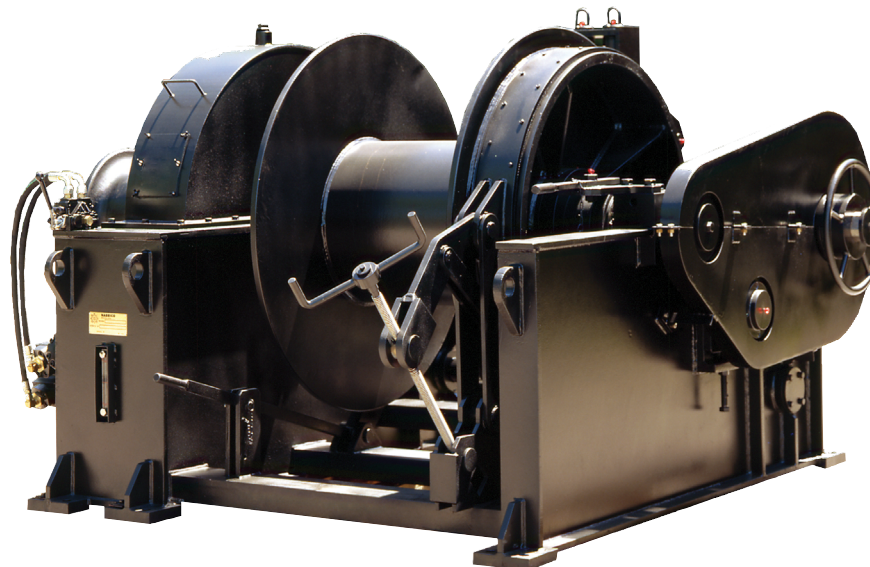
nabrico-marine.com

615.442.1300

The specifications and details described by drawings or text in this literature are subject to change without notice.

ANCHOR WINCHES

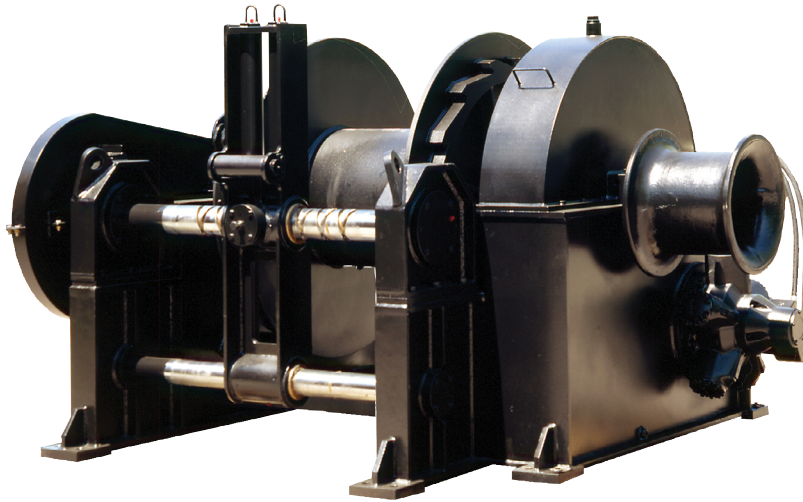
WINCHES



NABRICO is a full line supplier of electric and hydraulic anchor winches, mooring winches and windlasses. We will custom fit each anchor winch, mooring winch or windlass to your specific application to ensure the best possible configuration. Our winches can be fitted with warping heads and level winds along with many of our other standard features such as a locking dog, drum band brake and a three coat zinc and epoxy paint system. NABRICO's hydraulic anchor winches can also be equipped with an electric auxiliary power source to operate the winch in case of a hydraulic failure. Please contact NABRICO for a quote specified to meet your requirements.

ANCHOR WINCHES

WINCHES



SPECIFY THE FOLLOWING INFORMATION TO DETERMINE THE SIZE AND SPEED OF YOUR ANCHOR WINCH:

CABLE SIZE _____
DRUM CAPACITY _____
LINE PULL (FIRST LAYER) _____
LINE SPEED _____
MOTOR TYPE _____
OF GYPSY HEADS _____
GYPSY HEAD SIZE _____

MODEL SHOWN

MODEL DF-AW-1200-30-2/16H
CABLE SIZE 1-7/8 Inch
DRUM CAPACITY 1200 Ft.
LINE PULL (FIRST LAYER) 25,000 Lbs. @ 2400 PSI
LINE SPEED 30 FPM
MOTOR TYPE HYDRAULIC
OF GYPSY HEADS TWO
GYPSY HEAD SIZE 16 INCH

- HYDRAULIC OR ELECTRIC MOTOR WITH FAIL SAFE MOTOR BRAKE.
- 4-WAY CONTROL VALVE MOUNTED AND PIPED ON THE WINCH.
- BRAKE WITH STAINLESS STEEL BRAKE AND STEEL HAND WHEEL.
- LEVER OPERATED MACHINED JAW CLUTCH.
- OPTIONAL WIRE ROPE LEVEL WIND FOR UNIFORM LAY OF WIRE ON THE DRUM.
- RATCHET AND PAWL TYPE HOLDING DOG ON THE DRUM.
- FABRICATED STEEL CONSTRUCTION.
- THREE COAT ZINC AND EPOXY PAINT SYSTEM.
- ELECTRIC OR HYDRAULIC POWER.
- JAW CLUTCHED DRUM.
- SINGLE OR DOUBLE WARPING HEADS.
- HYDRAULIC MOTOR WITH FAIL SAFE MOTOR BRAKE.
- SPUR GEAR REDUCTION OPERATING IN OIL BATH.
- DRUM BAND BRAKE AND HOLDING DOG.
- DRUM CAPACITY AND LINE PULL TO MEET CUSTOMER REQUIREMENTS.
- OTHER SIZES AND FEATURES AVAILABLE.
- OTHER AVAILABLE OFFSHORE DECK MACHINERY: MOORING WINCHES, TOWING WINCHES, ANCHORS, CHAIN AND CAPSTANS.
- CONTACT NABRICO WITH YOUR SPECIFIC REQUIREMENTS.



NABRICO

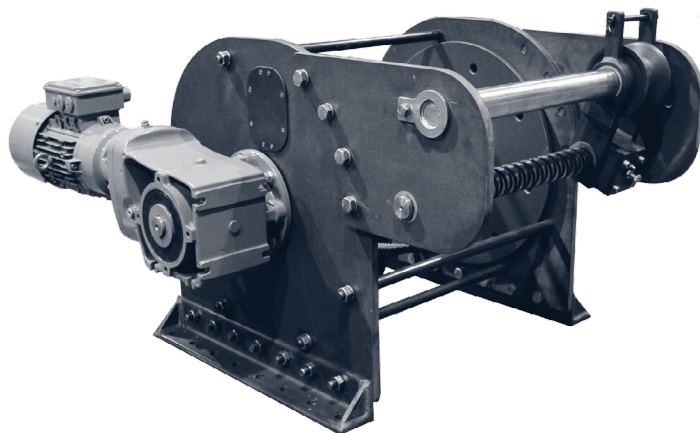
nabrico-marine.com

615.442.1300

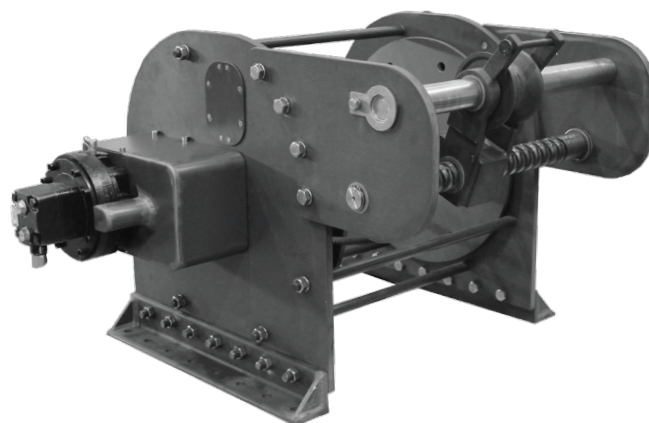
The specifications and details described by drawings or text in this literature are subject to change without notice.

ALUMINUM ANCHOR WINCH

WINCHES



ELECTRIC WINCH



HYDRAULIC WINCH

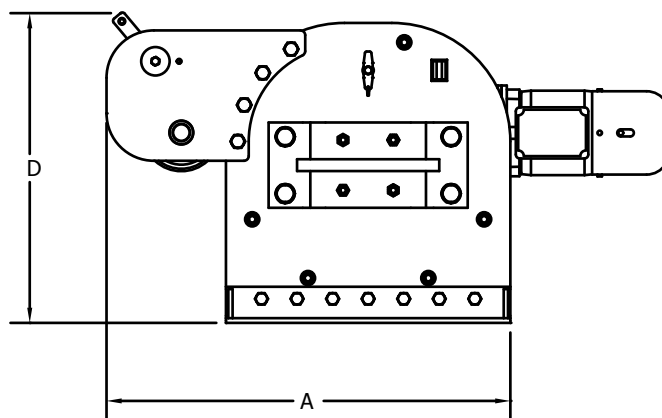
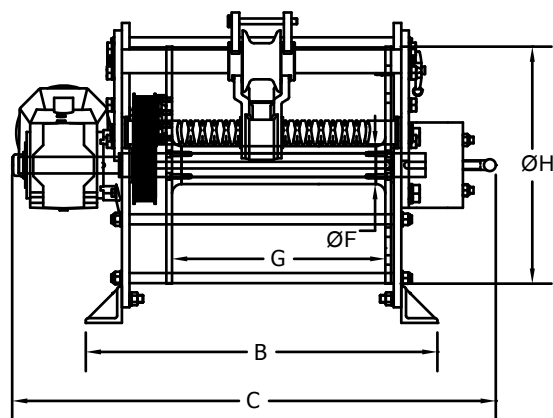
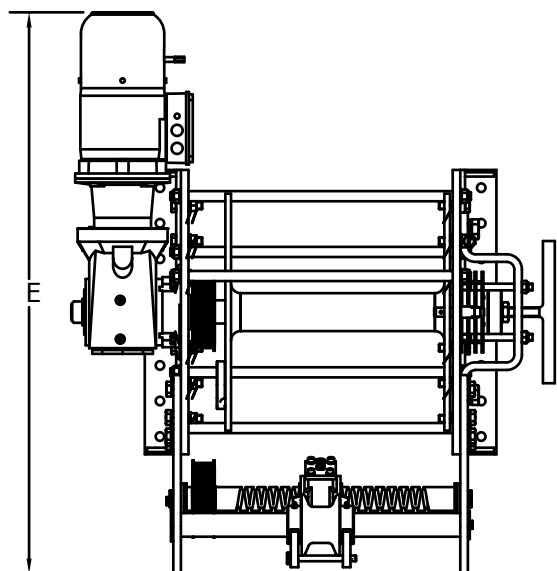
- ANODIZED ALUMINUM FRAME AND COMPONENTS.
- STAINLESS STEEL SHAFTS.
- MANUAL DISC BRAKE SYSTEM WITH ALL STAINLESS STEEL COMPONENTS.
- NORD ALUMINUM GEARMOTOR WITH NSD-X3 PAINT AND CORROSION PROTECTED FAIL-SAFE BRAKE.

- DESIGNED TO DNV SPECIFICATIONS.
- SYNCHRONOUS LEVELWIND SYSTEM.
- NO MAINTENANCE THORDON BEARINGS.
- WINDLASS IS APPROVED FOR CHAIN 16MM K2 AND 17.5MM K1 WITH MINIMUM BREAKING STRENGTHS OF 150 KN AND 125 KN.
- ALL STAINLESS FASTENERS AND SEPARATOR RODS.

MODEL No.	LINE PULL (LBS)	LINE SPEED (FPM)	DRUM SIZE (IN)	WEIGHT (LBS)
DF-AW-600-2-91-E-AL	1,872	34	3" x 19-1/2" x 15-3/4"	456
DF-AW-600-2-91-H-AL	1,872	34	3" x 19-1/2" x 15-3/4"	347

ELECTRIC ALUMINUM ANCHOR WINCH

WINCHES



MODEL No.	A	B	C	D	E	ØF	G	ØH
DF-AW-600-2-91-E-AL	33-1/2"	29-1/4"	40-1/8"	25-3/4"	46-5/8"	3-1/8"	17-3/4"	19-5/8"



NABRICO

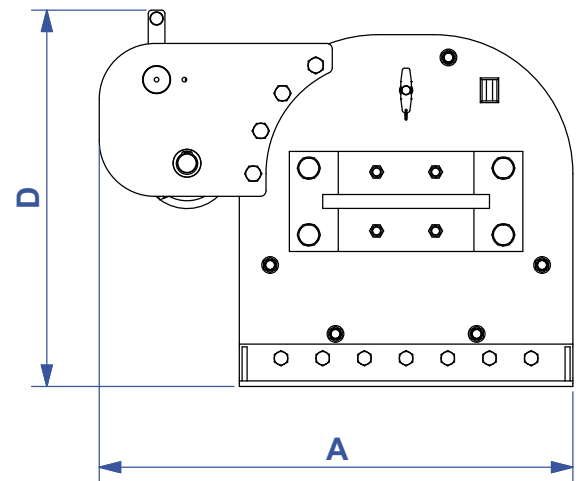
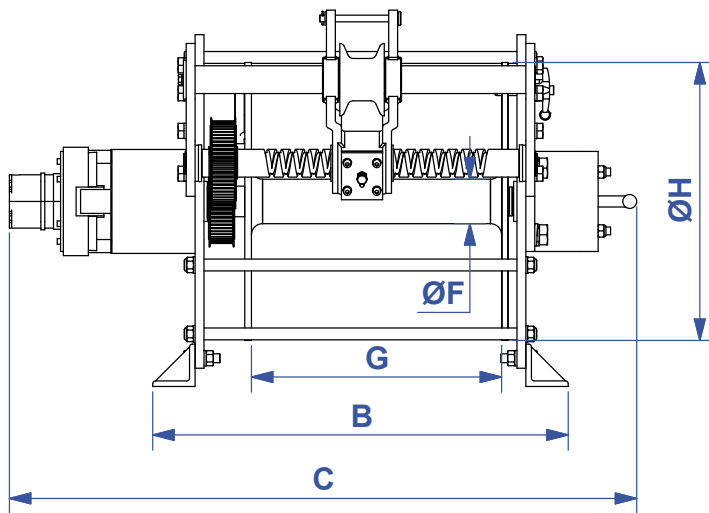
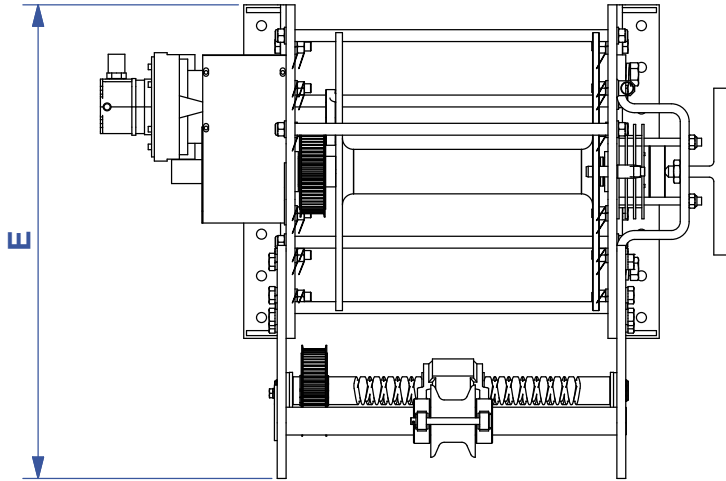
nabrico-marine.com

615.442.1300

The specifications and details described by drawings or text in this literature are subject to change without notice.

HYDRAULIC ALUMINUM ANCHOR WINCH

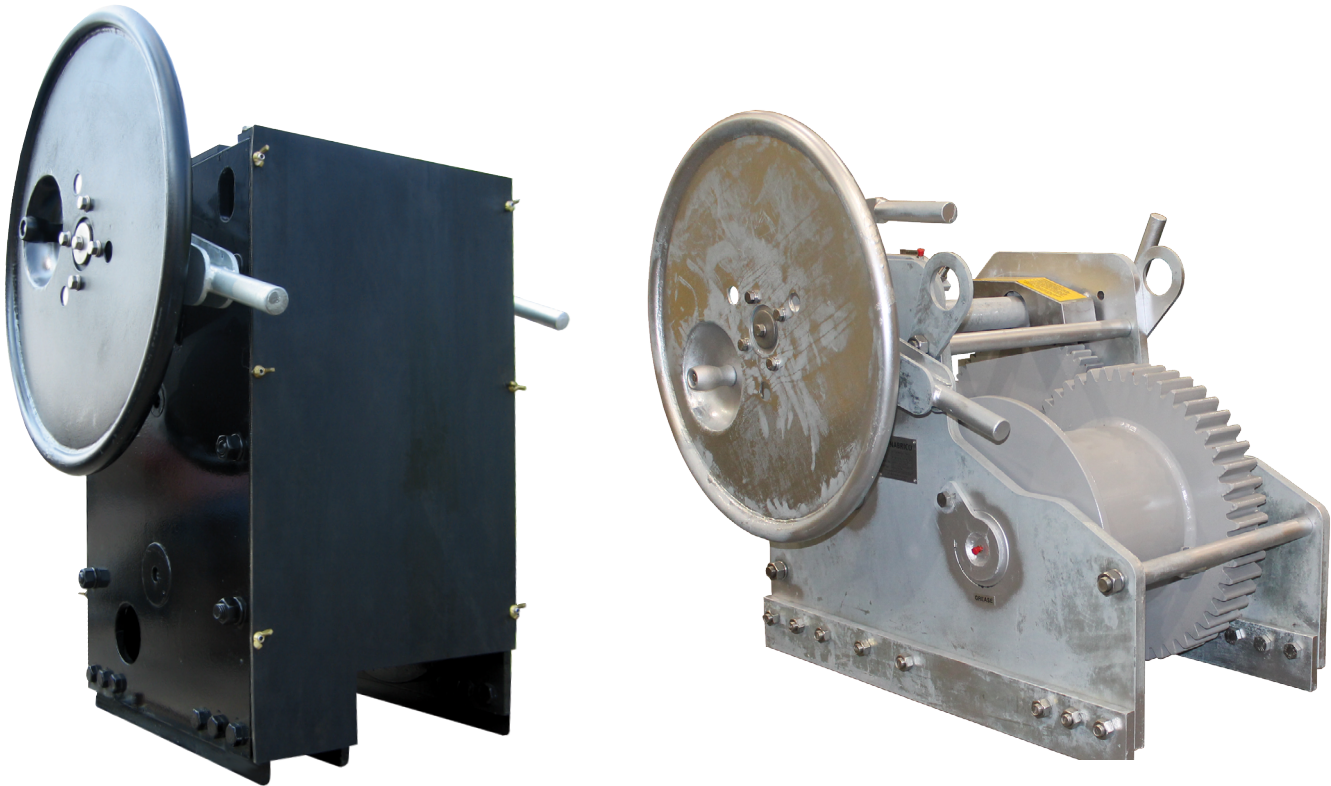
WINCHES



MODEL No.	A	B	C	D	E	ØF	G	ØH
DF-AW-600-2-91-H-AL	33-1/2"	29-1/4"	44-1/2"	25-3/4"	33-1/2"	3-1/8"	17-3/4"	19-5/8"

MANUAL WINCHES

WINCHES



NABRICO provides the extra hands you need for fast and sure tow make-up and breakdown with a complete line of hand winches in both left and right hand models (except 2/5 ton winches). Our DF-3 winch features the same trusted parts as our DF-156 winch in a more compact design. NABRICO manual winches are available in 2, 5, 10, 20, 30, 40 and 60 ton holding capacities. NABRICO has a hand winch to meet the particular needs of your job or installation.

Match a NABRICO hand winch to your needs and available space and you're ready to go to work. For installation purposes, all dimensions should be verified.

Winches portrayed in drawings, photographs and copy are not designed for lifting or lowering persons or equipment.


NABRICO

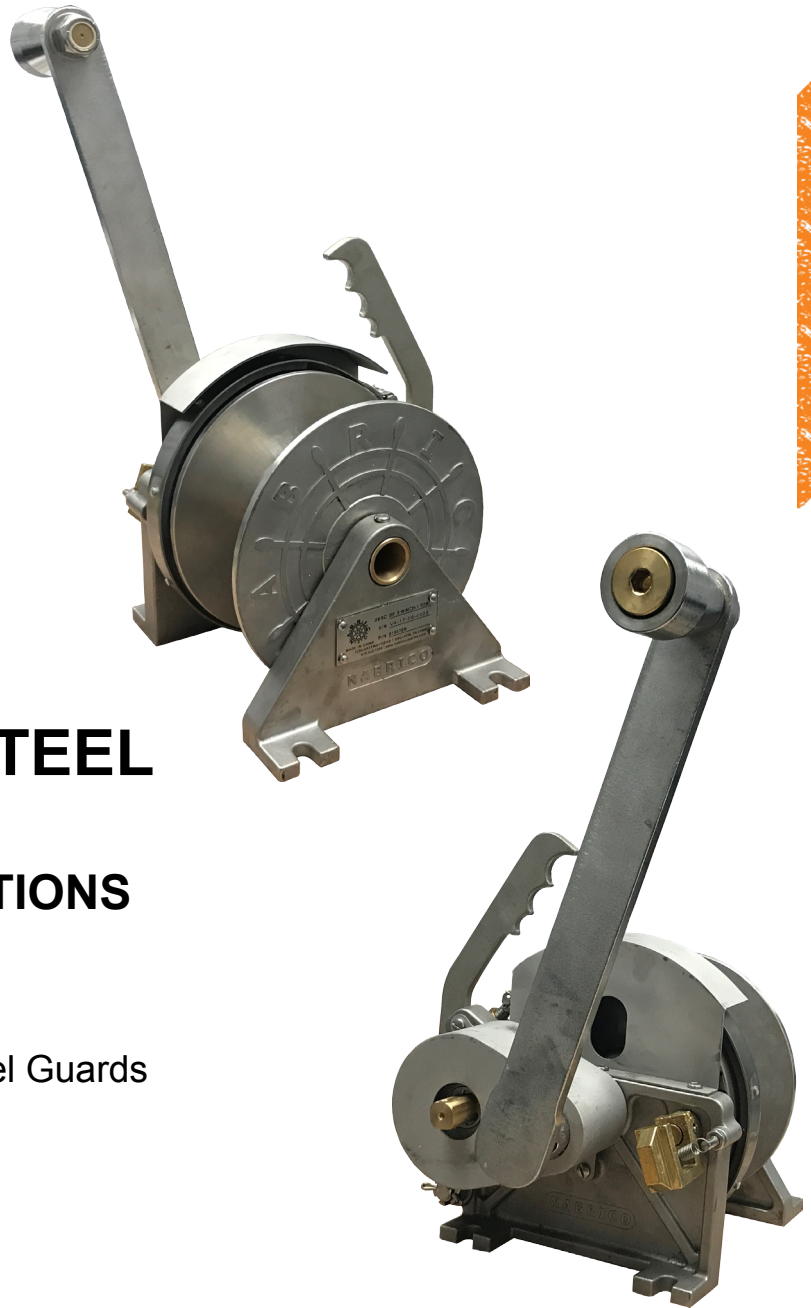
nabrigo-marine.com

615.442.1300

The specifications and details described by drawings or text in this literature are subject to change without notice.

1 TON MANUAL WINCH

WINCHES



DF-5 STAINLESS STEEL 1 TON WINCH FEATURES & SPECIFICATIONS

- All Stainless Steel Construction
- Bronze Oil Lite Bushings
- Fully Guarded w/ Stainless Steel Guards
- Stainless Steel Brake Band
- 2 Speed Operation
- Bronze Locking Dog

MODEL NO.	PART NO.	HOLDING CAPACITY (BRAKE &/OR LOCKING DOG) LBS	LINE PULL		DRUM CAPACITY (FT)				WEIGHT LBS
			HIGH SPEED (LBS)	LOW SPEED (LBS)	1/8"	3/16"	1/4"	5/16"	
DF-5	15670	2,000	1,000	2,000	360	150	85	50	32

nabrico-marine.com

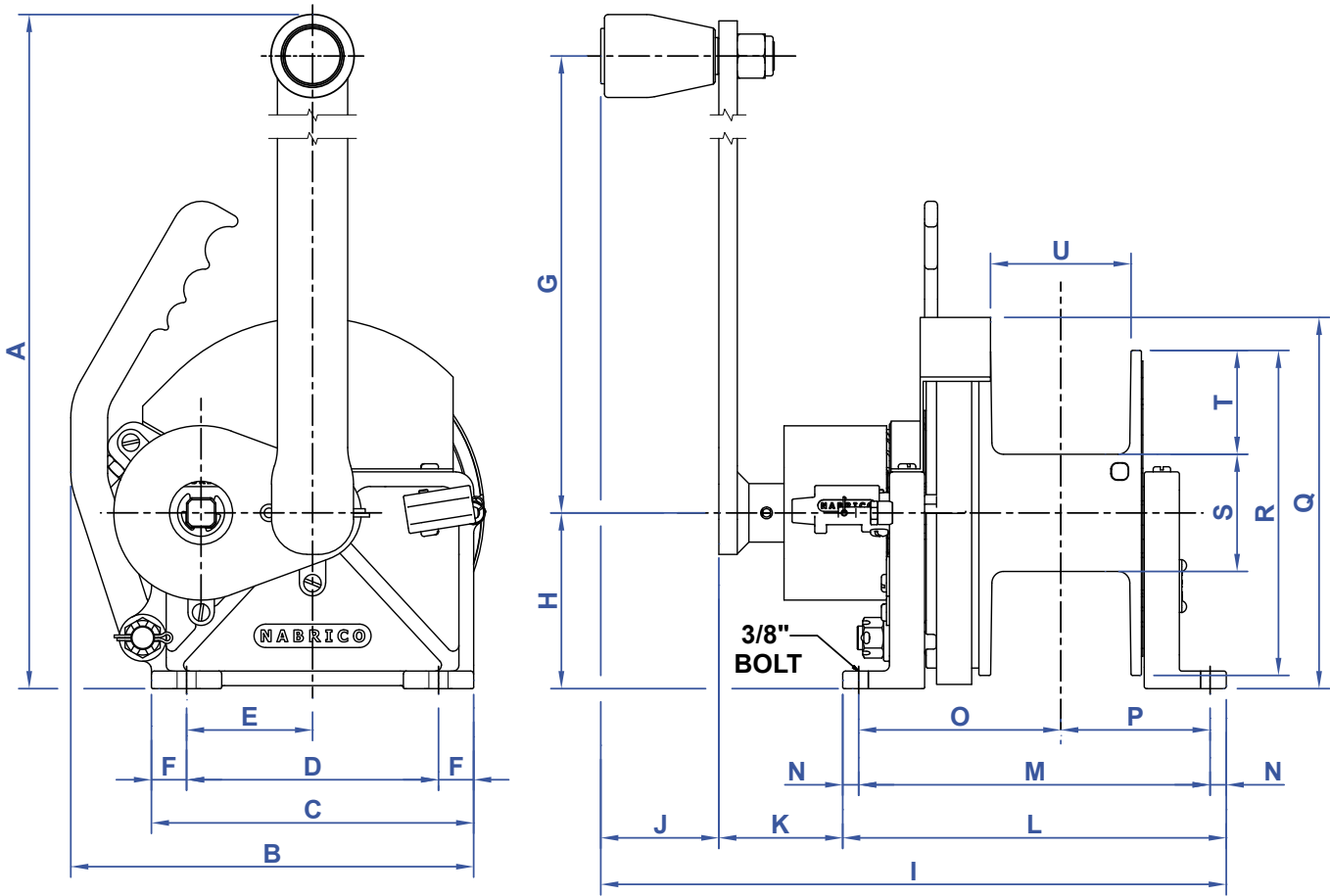
615.442.1300


NABRICO

The specifications and details described by drawings or text in this literature are subject to change without notice.

1 TON MANUAL WINCH

WINCHES



MODEL NO.	PART NO.	A	B	C	D	E	F	G	H	I
DF-5	15670	16-5/8"	8-5/8"	6-7/8"	5-3/8"	2-11/16"	3/4"	12"	3-3/4"	13-3/8"

J	K	L	M	N	O	P	Q	ØR	ØS	T	U
2-1/2"	2-5/8"	8-3/16"	7-1/2"	3/8"	4-5/16"	3-3/16"	7-15/16"	6-15/16"	2-1/2"	2-1/4"	3"


NABRICO

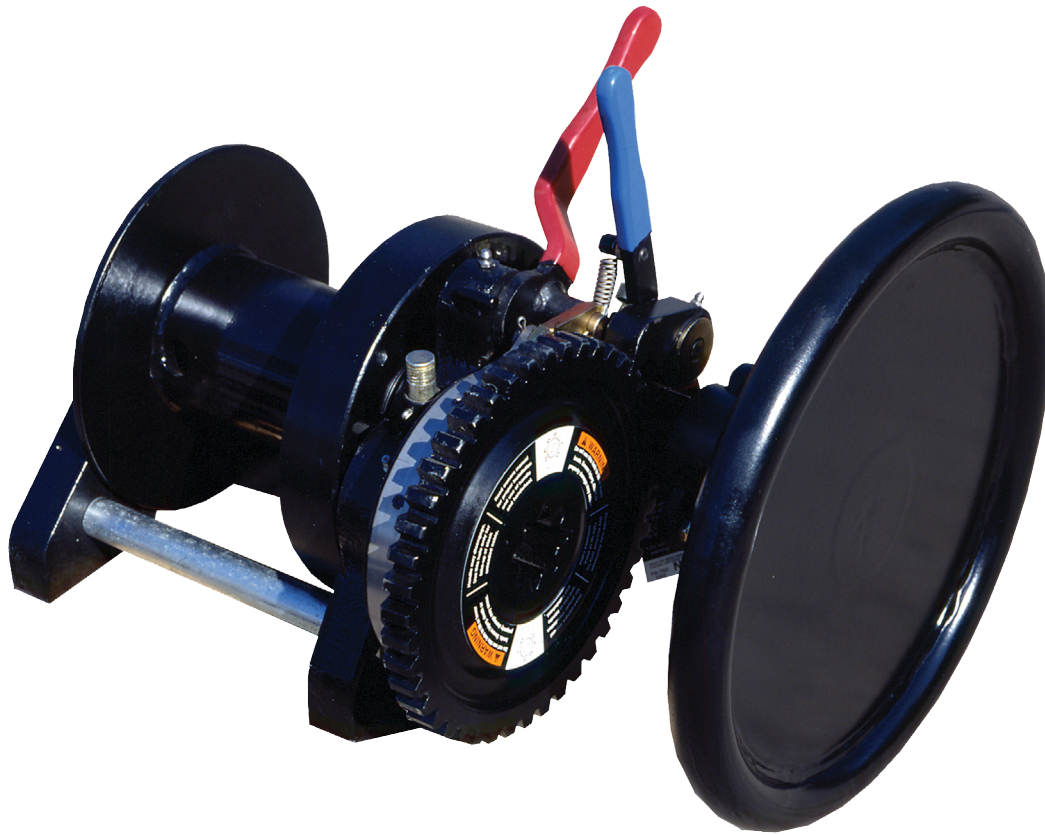
nabrico-marine.com

615.442.1300

The specifications and details described by drawings or text in this literature are subject to change without notice.

2 AND 5 TON MANUAL WINCH

WINCHES



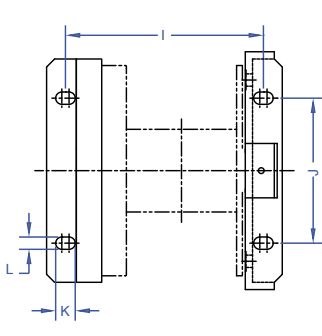
MODEL No.	LINE PULL SLOW SPEED	LINE PULL FAST SPEED	SHOCK LOAD	HAND BRAKE HOLDING OR DOG
2 Ton	4025	3500	3800 (3 foot drop)	6000
5 Ton	10000	8500	8250 (3 foot drop)	14000

ALL ABOVE NUMBERS ARE POUNDS

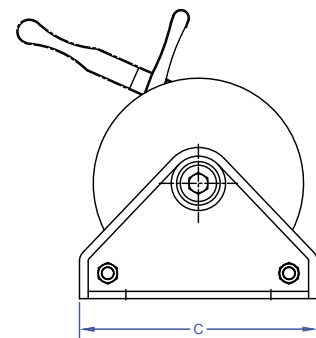
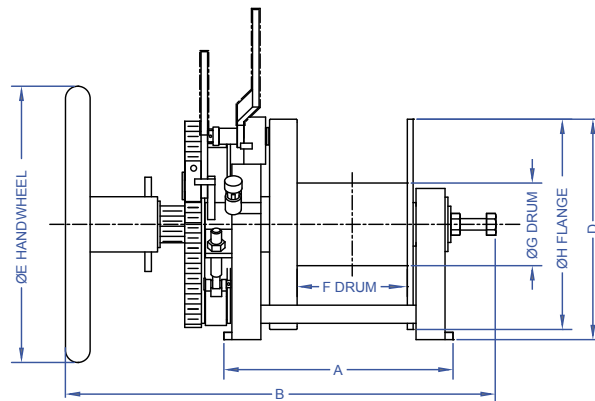
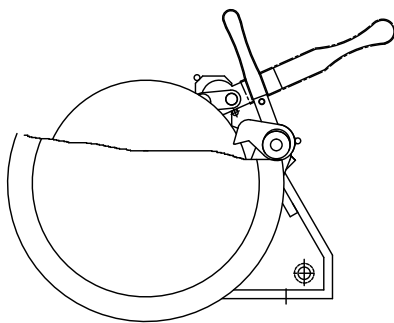
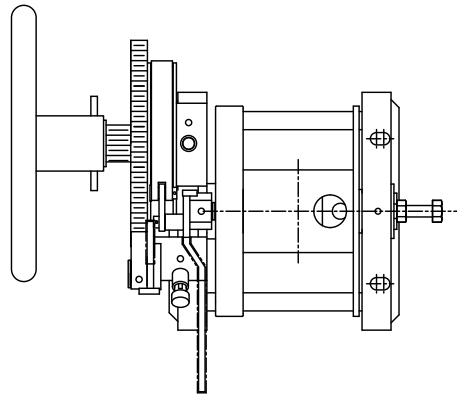
CABLE CAPACITY (FULL DRUM)							
MODEL No.	DRUM WIDTH	1/4	5/16	3/8	7/16	1/2	WT (lbs)
2 Ton	6"	275	200	105	100	60	65
5 Ton	6"	-	-	300	200	170	116

2 AND 5 TON MANUAL WINCH

WINCHES



WINCH FOOTPRINT



MODEL No.	PART No.	A	B	C	D	ØE	F	ØG	ØH	MOUNTING DIMENSIONS			
										I	J	K	L
2 TON	15550	11-11/16"	23-1/4"	12"	9-5/16"	15"	6-3/32"	4"	9-1/4"	10-1/2"	7-1/2"	1-1/16"	21/32"
5 TON	15600	12-7/16"	23-3/8"	12-7/8"	12"	15"	5-15/16"	4-1/2"	11-3/8"	10-3/4"	7-7/8"	1-1/16"	21/32"



NABRICO

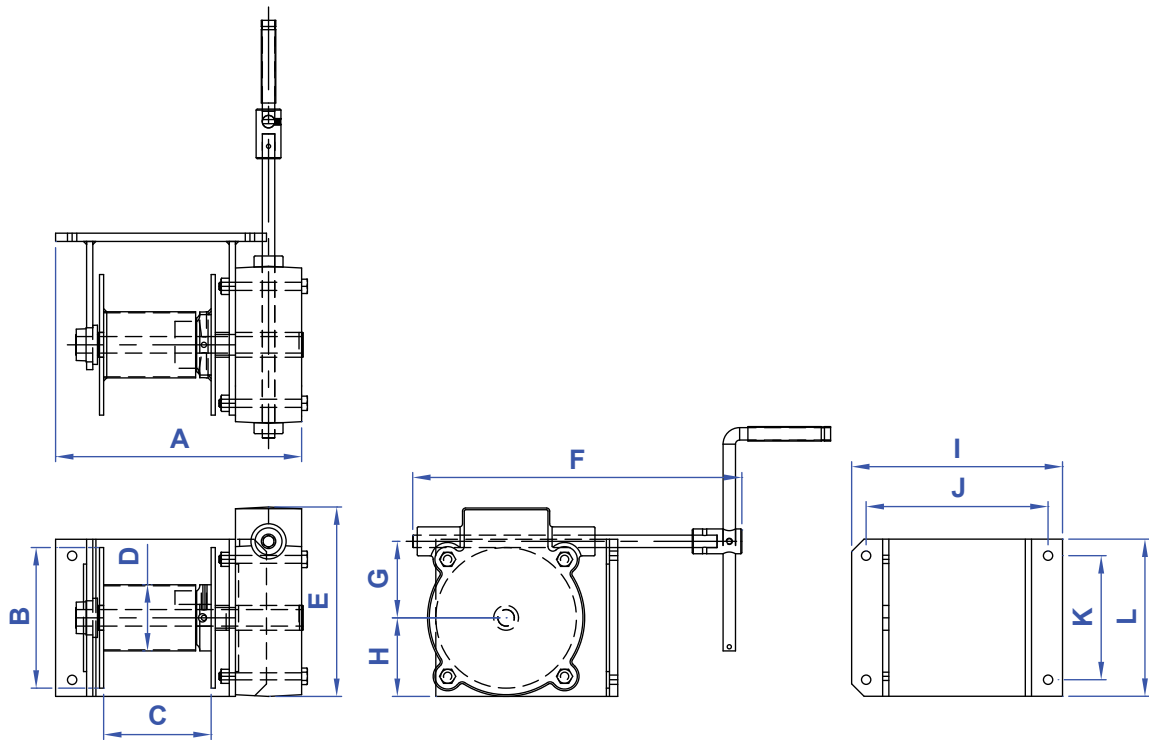
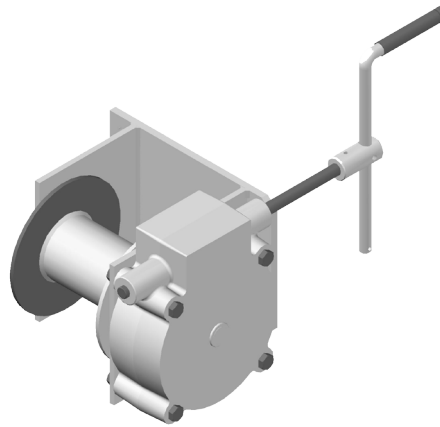
nabrico-marine.com

615.442.1300

The specifications and details described by drawings or text in this literature are subject to change without notice.

2 TON MANUAL WINCH ASSY.

WINCHES



MODEL No.	PART No.	A	B	C	D	E	F	G	H	I	J	K	L	WT. (lbs.)
DF-7	15557	15"	8-1/2"	6-1/2"	4"	11-1/2"	19-7/8"	4-1/2"	4-3/4"	12-3/4"	11"	7-1/2"	9-1/2"	120

nabrico-marine.com

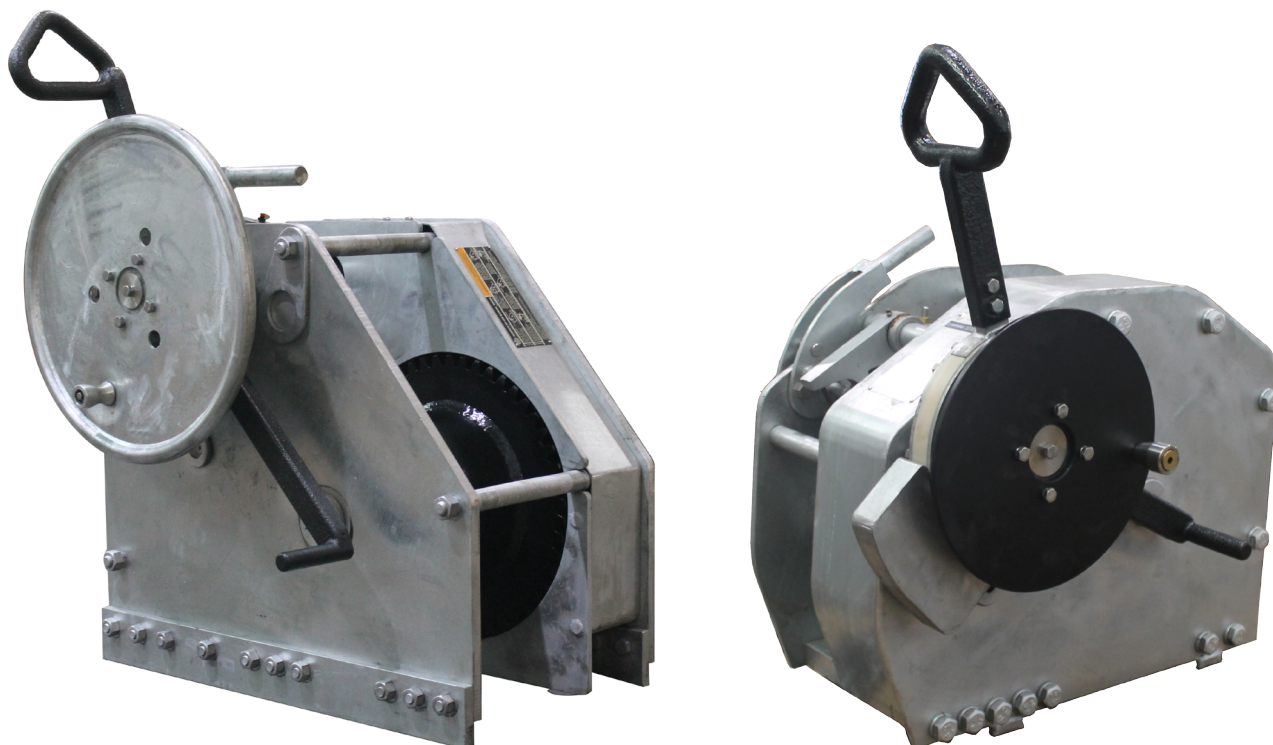
615.442.1300


NABRICO

The specifications and details described by drawings or text in this literature are subject to change without notice.

FASST WINDER™ WINCHES

WINCHES



NABRICO's patent-pending FASST Winder™ system is fast, easy and results in lower compressive forces and less stress on the body as you fully tighten a winch. Our FASST Winder™ system allows you to get rid of ratchets and still achieve similar line pulls to that of our comparable models. Without needing the assistance of an extension pipe, this system allows the deckhand to achieve final tensioning in almost half the time of a conventional winch. Call NABRICO today to schedule a live demonstration of this new revolutionary system.



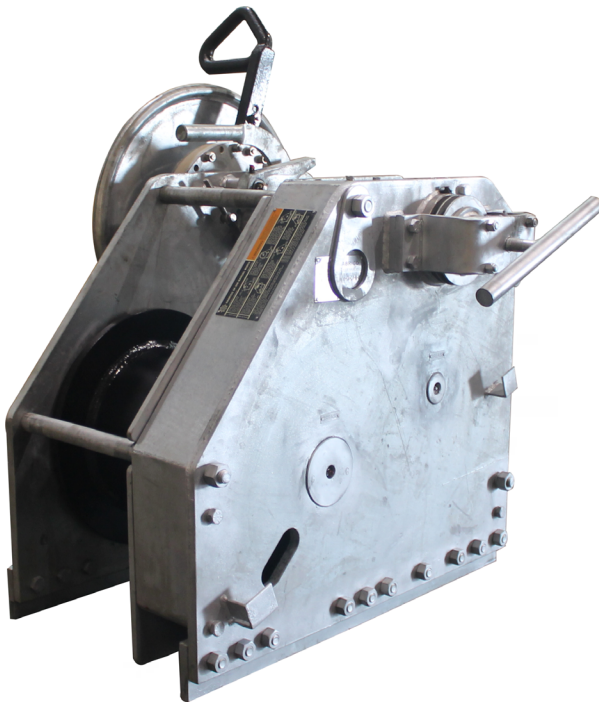
NABRICO

nabrico-marine.com

615.442.1300

The specifications and details described by drawings or text in this literature are subject to change without notice.

DF-356 W/ FASST WINDER™ WINCH

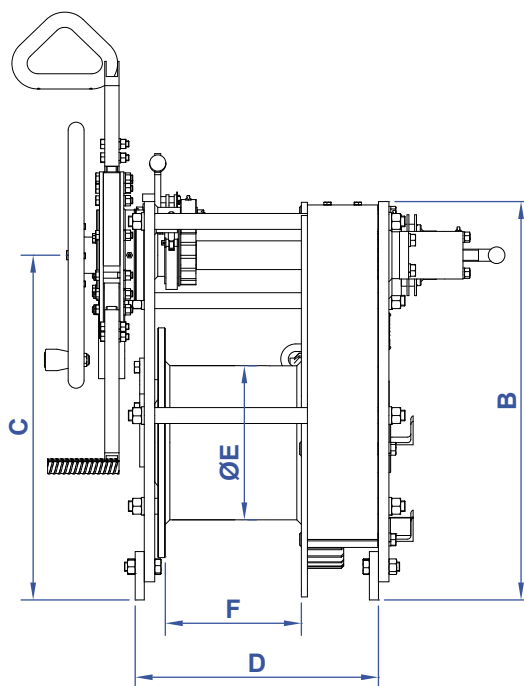
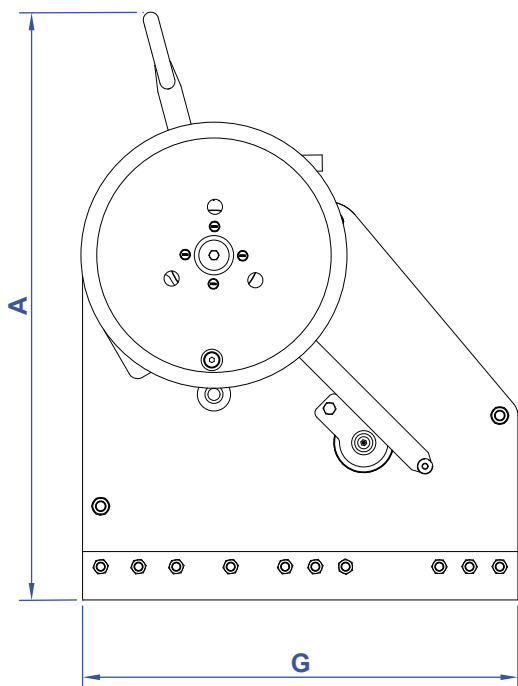
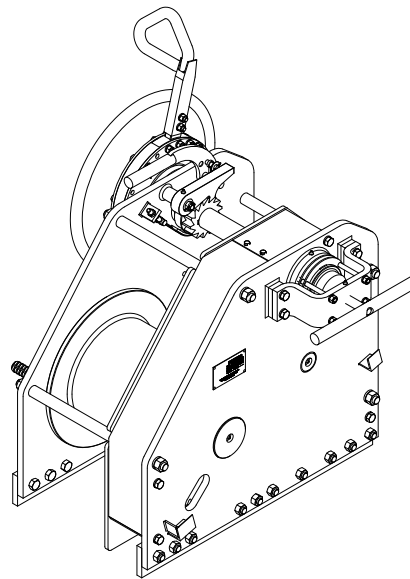
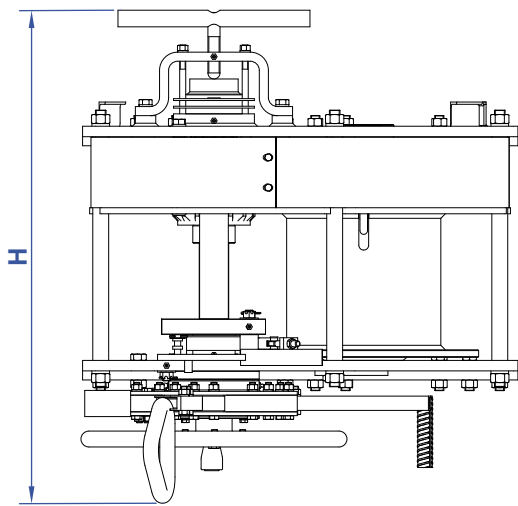


WINCHES

- Incorporates our powerful FASST Winder™ system.
- Patented high load release dog with secondary anti-backlash drag brake that is activated automatically with the release of the dog.
- Hot-dipped Galvanized coating.
- Uses standard 40-ton winch drive train.
- Ergonomic height.
- No hot work required: mounts to DF-3, DF-156 and some competitors models.
- Heaviest winch in its class at 1,650 lbs.
- No ratchet or ratchet handle extension.
- Fully guarded gears.
- High load release brake is a multi-disc system that incorporates all stainless steel moving parts.

MODEL NO.	HOLDING DOG & OR BRAKE	LINE PULL @ FIRST LAYER WITH ONE MAN (LBS)		DRUM CAPACITY (FT)					WEIGHT
		S. TONS	HAND WHEEL	RATCHET W/ STD. EXT.	5/8"	3/4"	7/8"	1"	
40-11-M	40	8,000	17,800	340	219	132	115	60	1,650
40-18-M	40	8,000	17,800	563	363	224	198	107	1,875

WINCHES



MODEL NO.	A	B	C	D	ØE	F	G	H
DF-356-40-11-M	48-9/16"	33"	28-1/2"	20-1/8"	12-3/4"	11-1/4"	36"	40-3/4"
DF-356-40-18-M	48-9/16"	33"	28-1/2"	26-1/4"	12-3/4"	18-1/8"	36"	46-7/8"



NABRICO

nabrico-marine.com

615.442.1300

The specifications and details described by drawings or text in this literature are subject to change without notice.

DF-629 W/ FASST WINDER™ WINCH

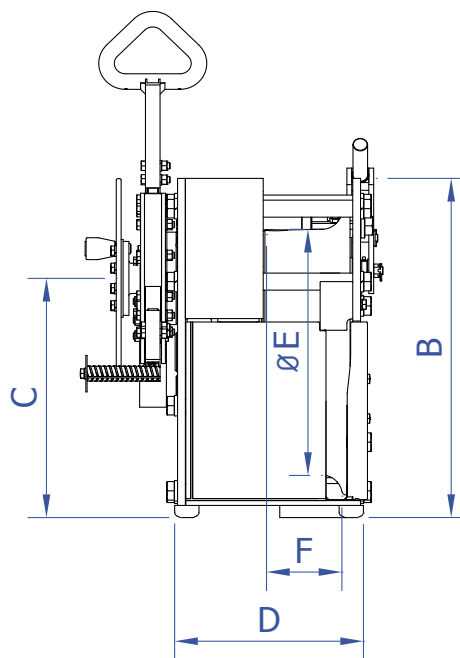
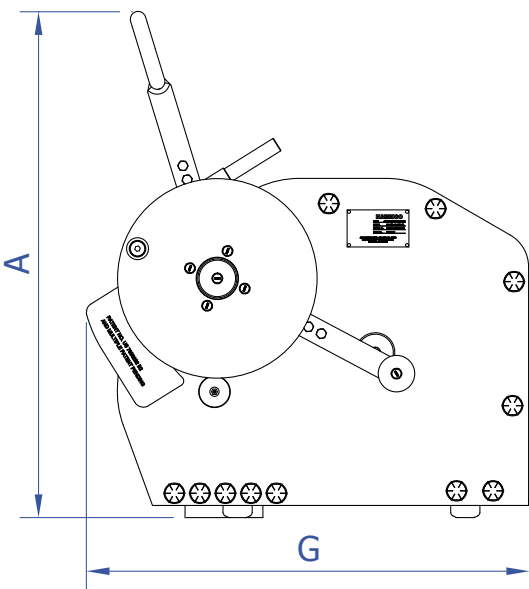
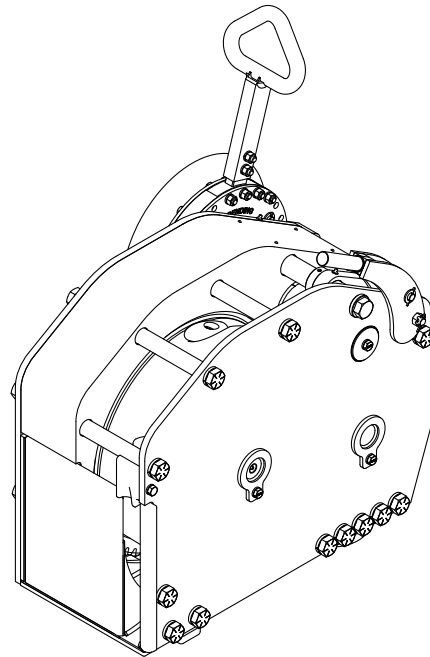
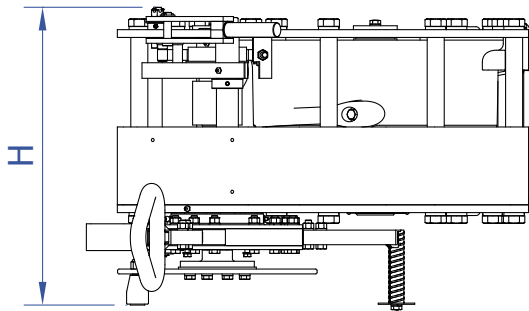


WINCHES

- No ratchet or ratchet handle extension.
- Fastest and easiest way to fully tighten a winch.
- Large D over D ratio 20:1 ANSI/ ASME minimum is 15:1 for pulling and 18:1 for lifting.
- Hard chrome plated shafts, SS hardware and galvanized winch body.
- Patent pending, large, single layer drum.
- Tapered drum design eliminates multi-layer spooling causing crushing and inconsistent wire tensioning.
- Fully enclosed drivetrain to help protect the operator, wire and gearing.
- Simple operation, wire pulls out easily, takes up very little deck space.
- Requires almost no retightening with only one layer of wire.
- Open design drum allows for 100 percent wire inspection and no damaged wire overfilling the drum cavity.
- Patented drum and high load release dog with automatic brake make this winch easy to use and appreciate.
- Patented/Patent Pending (Publication # US 20140124719 A1)

MODEL NO.	HOLDING DOG & OR BRAKE	LINE PULL	DRUM CAPACITY (FT)		WEIGHT
	S. TONS	(LBS)	7/8"	1"	LBS
DF-629-FST	40	15,000	30	25	1,177

WINCHES



MODEL NO.	A	B	C	D	ØE	F	G	H
DF-629-FST-40-6	40-15/16"	27-7/16"	19-3/8"	15-1/4"	19-7/8"	6"	35-7/8"	24"



NABRICO

nabrico-marine.com

615.442.1300

The specifications and details described by drawings or text in this literature are subject to change without notice.

DF-629 SIDEWINDER WINCH



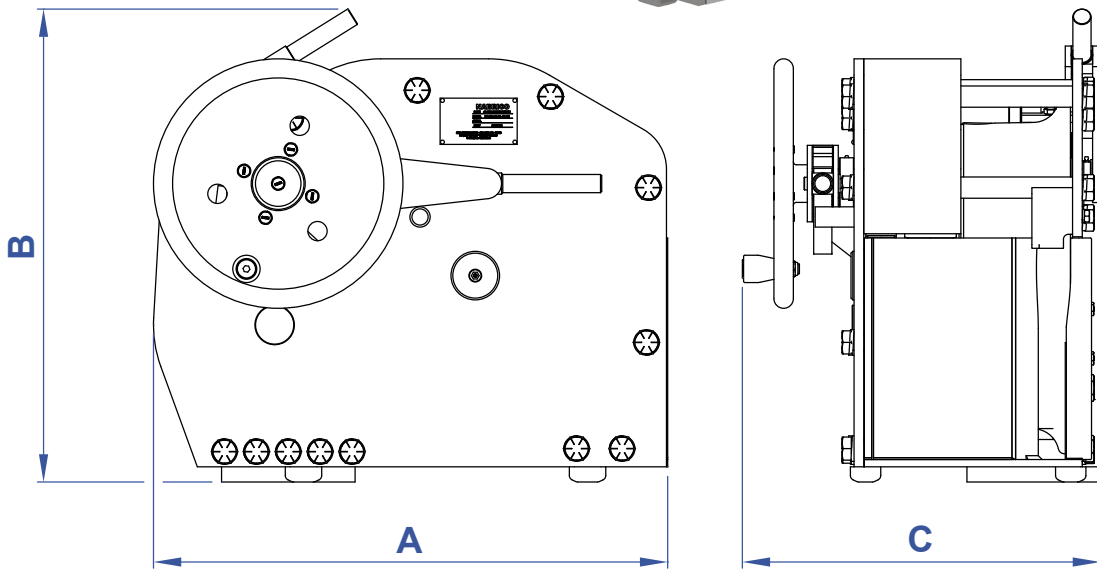
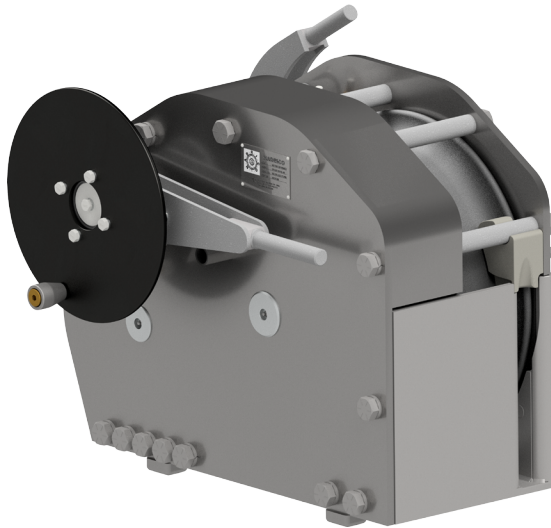
WINCHES

- LARGE D OVER D RATIO 20:1 ANSI/ASME MINIMUM IS 15:1 FOR PULLING AND 18:1 FOR LIFTING.
- HARD CHROME PLATED SHAFTS, SS HARDWARE AND GALVANIZED WINCH BODY.
- SIMPLE OPERATION, WIRE PULLS OUT EASILY, TAKES UP VERY LITTLE DECK SPACE.
- TAPERED DRUM DESIGN ELIMINATES MULTI-LAYER SPOOLING CAUSING CRUSHING AND INCONSISTENT WIRE TENSIONING.
- FULLY ENCLOSED DRIVETRAIN TO HELP PROTECT THE OPERATOR, WIRE AND GEARING.
- PATENT PENDING, LARGE, SINGLE LAYER DRUM.
- REQUIRES ALMOST NO RETIGHTENING WITH ONLY ONE LAYER OF WIRE.
- OPEN DESIGN DRUM ALLOWS FOR 100 PERCENT WIRE INSPECTION AND NO DAMAGED WIRE OVERFILLING THE DRUM CAVITY.
- PATENTED DRUM AND HIGH LOAD RELEASE DOG WITH AUTOMATIC BRAKE MAKE THIS WINCH EASY TO USE AND APPRECIATE.
- PATENTED/PATENT PENDING (PUBLICATION # US 20140124719 A1).

MODEL No.	HOLDING DOG	LINE PULL - RATCHET	DRUM CAPACITY (FT)		WEIGHT
	LBS	LBS	7/8"	1"	LBS
DF-629	80,000	15,000	30	25	1,117

DF-629 SIDEWINDER WINCH

WINCHES



RIGHT HAND WINCH SHOWN
LEFT HAND WINCH OPPOSITE

COATINGS	RH WINCH PART No.	LH WINCH PART No.
GALVANIZED	62911	62910

MODEL No.	PART No.	A	B	C	WT. (LBS)
DF-629	REFER TO COATING TABLE	33-3/8"	30-5/8"	23-1/4"	1,177



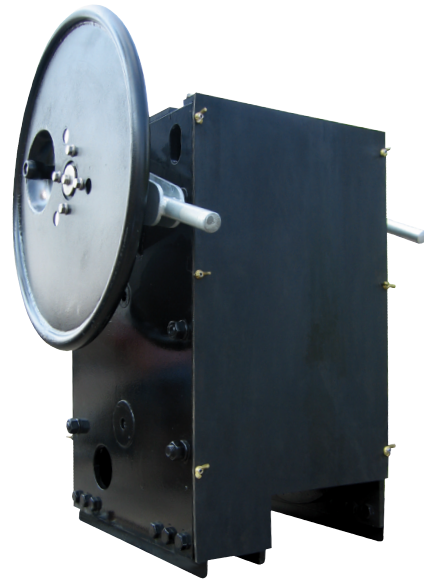
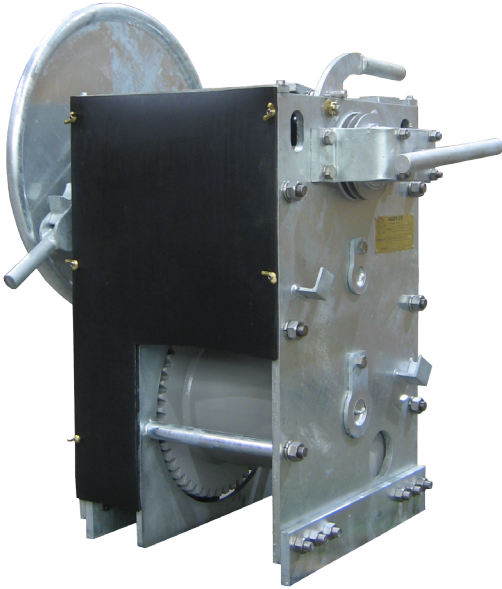
nabrico-marine.com

615.442.1300

The specifications and details described by drawings or text in this literature are subject to change without notice.

DF-3 MANUAL WINCH

WINCHES

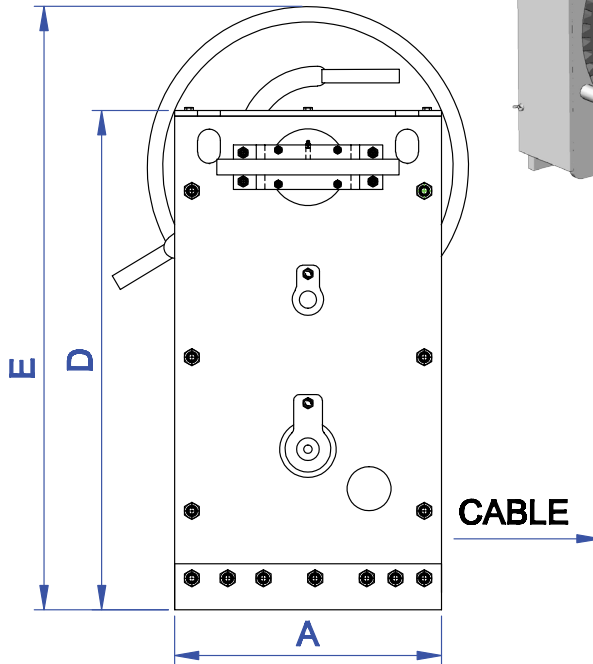
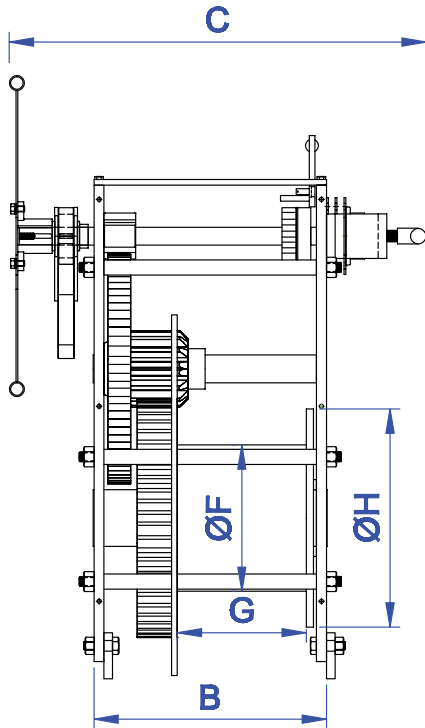
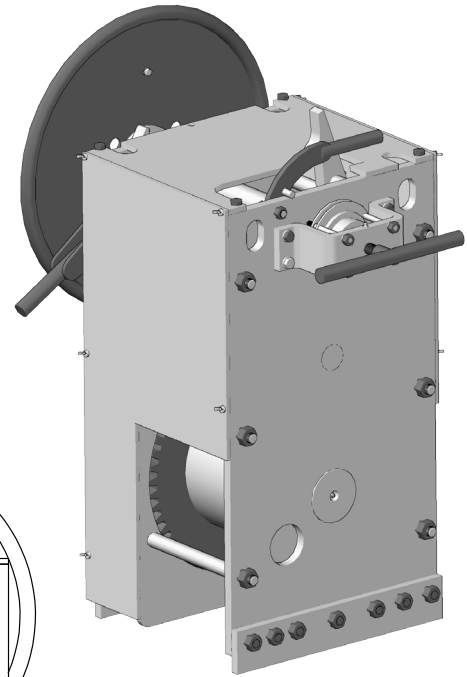


- REVOLUTIONARY NEW HIGH LOAD RELEASE DOG SYSTEM.
- HIGH LOAD RELEASE BRAKE WITH SECONDARY ANTI-BACKLASH DRAG BRAKE THAT IS ACTIVATED AUTOMATICALLY WITH THE RELEASE OF THE DOG.
- HIGH LOAD RELEASE BRAKE IS A MULTI-DISC SYSTEM THAT INCORPORATES ALL STAINLESS STEEL PARTS.
- FASTEST ACTING AND MOST POWERFUL BRAKE AVAILABLE.
- 4 BOLT LUG REMOVABLE HANDWHEEL.
- NEW SIMPLER HEAVY DUTY RATCHET ASSEMBLY WITH NO SPRINGS OR LEVERS.
- MINIMAL MAINTENANCE.
- EASY TO REPAIR.
- ALL STAINLESS STEEL AND SILICON BRONZE FASTENERS INCLUDING SEPARATOR RODS.
- 3-PLY CONVEYOR BELT COVERS (DAMAGE AND CORROSION RESISTANT).
- GALVANIZED COATING AVAILABLE.
- SALTWATER PACKAGE STANDARD WITH 3-PART PAINT SYSTEM.
- HEAVIEST WINCH IN ITS CLASS.
- TRUE RIGHT AND LEFT HAND MODELS FOR USE IN PAIRS.
- TOTALLY ENCLOSED DRIVE TRAIN WITH THE SMALLEST DECK FOOTPRINT IN THE INDUSTRY.

MODEL No.	HOLDING-DOG &/OR BRAKE	LINE PULL @ FIRST LAYER WITH ONE MAN		DRUM CAPACITIES (FT)				WEIGHT LBS	DIMENSIONAL DATA		
		HAND WHEEL	RATCHET W/ STD. EXT.	5/8"	3/4"	7/8"	1"		W	L	H
DF-3-30	30 TONS	5,000	22,000	233	141	123	67	1109	19-3/8"	22"	35-1/2"
DF-3-40	40 TONS	5,000	19,000	285	173	150	83	1567	20-1/8"	23-1/4"	43-1/2"

30 TON UPRIGHT MANUAL WINCH

WINCHES



LEFT HAND WINCH SHOWN
RIGHT HAND WINCH OPPOSITE

COATINGS	RH WINCH PART No.	LH WINCH PART No.
PAINTED BLACK	94241	94242
GALVANIZED	94243	94244

MODEL No.	PART No.	A	B	C	D	E	ØF	G	ØH	WT. (lbs.)
DF-3-30	REFER TO COATING TABLE	22"	19-3/8"	33-1/2"	35-1/2"	44-9/16"	10-3/4"	11"	16"	1065



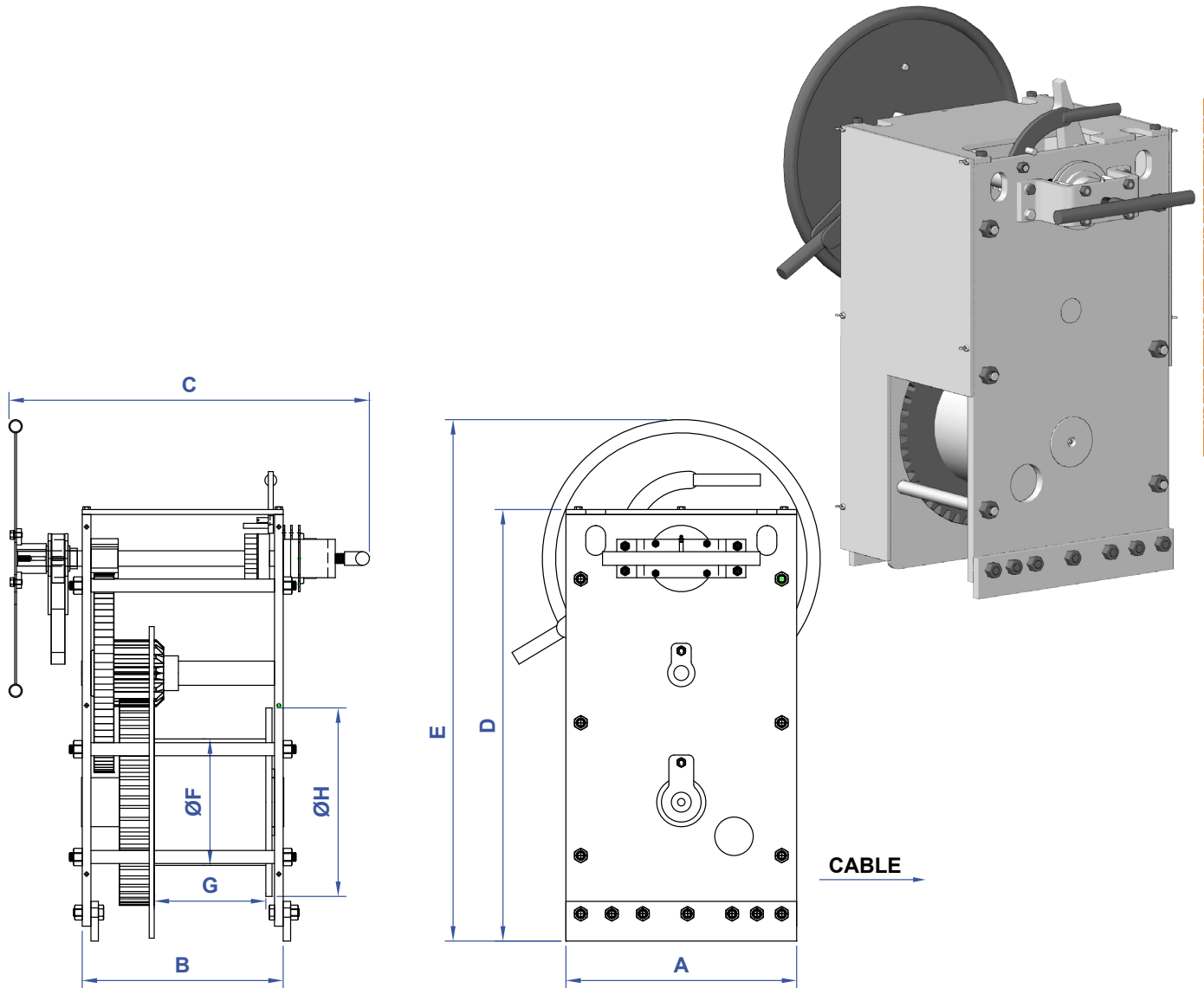
NABRICO

nabrico-marine.com

615.442.1300

The specifications and details described by drawings or text in this literature are subject to change without notice.

40 TON UPRIGHT MANUAL WINCH



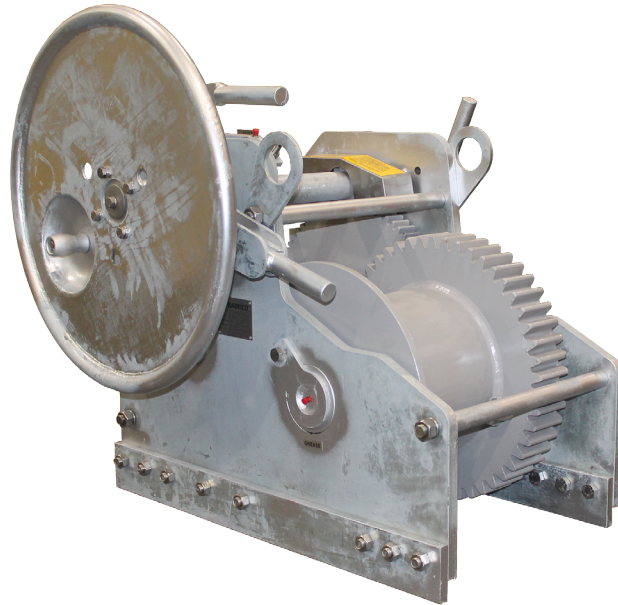
LEFT HAND WINCH SHOWN
RIGHT HAND WINCH OPPOSITE

COATINGS	RH WINCH PART No.	LH WINCH PART No.
PAINTED BLACK	94237	94238
GALVANIZED	94239	94240

MODEL No.	PART No.	A	B	C	D	E	ØF	G	ØH	WT. (lbs.)
DF-3-40	REFER TO COATINGS TABLE	23-1/4"	20-1/8"	36-1/16"	43-1/2"	52-9/16"	12-3/4"	11-1/4"	19"	1525

DF-156 MANUAL WINCHES

WINCHES



FEATURES

- All steel construction.
- High load release brake is a multi-disc system that incorporates all stainless steel moving parts.³
- Fastest acting and most powerful brake available.
- 4 bolt hub removable handwheel.
- Simpler heavy duty ratchet assembly with no springs or levers.
- Bronze bushed bearings.
- Alemite fittings for proper lubrication.
- True left and right hand model for use in pairs.
- Blasted and painted, galvanized and other coatings available.
- All stainless steel and silicon bronze fasteners including separator rods.

MODEL	MOUNT	DOG HOLDING (1)	LINE PULL		GEAR RATIO	DRUM FLANGE DIAM.	DRUM	
			HAND WHEEL ONE MAN	RACHET W/ STANDARD EXTENSION			DIAM.	WIDTH (2)
DF-156		S.T.	LBS.	LBS.		IN.	IN.	IN.
10-6-M	Right/Left	10	3,000	7,000	5.57:1	18	8.625	6.0
20-7-M	Right/Left	20	8,000	19,000	18.57:1	16	10.75	7.25
40-11-M	Right/Left	40	6,000	17,800	18.57:1	19	12.75	11.25
40-18-M	Right/Left	40	6,000	17,800	18.57:1	19	12.75	18.125
60-11-M	Right/Left	60	7,500	28,800	27.0:1	24	14.00	10.625
75-11-M	Right/Left	75	7,500	28,800	27.0:1	24	14.00	10.625

MODEL	DRUM CAPACITIES (FT.)									WEIGHT (LBS.)
	CABLE SIZE									
	7/16	1/2	5/8	3/4	7/8	1	1-1/8	1-1/4	1-1/2	
DF-156										
10-6-M	353	317	174	129	-	-	-	-	-	500
20-7-M	270	186	109	57	39	21	-	-	-	850
40-11-M	-	-	287	176	130	84	36	26	-	1250
40-18-M	-	-	463	279	151	139	58	51	-	1350
60-11-M	-	-	572	325	262	200	119	111	62	2100
75-11-M	-	-	572	325	262	200	119	111	62	2800

1. HOLDING AND LINE PULL RATINGS ARE FOR FIRST LAYER OF CABLE.
2. WIDER DRUM WIDTHS AVAILABLE ON REQUEST.
3. DISC BRAKE OPTIONAL EXTRA FOR 10 TON MODEL.

Winches portrayed in drawings, photographs and copy are not designed for lifting or lowering persons or equipment.



nabrico-marine.com

615.442.1300

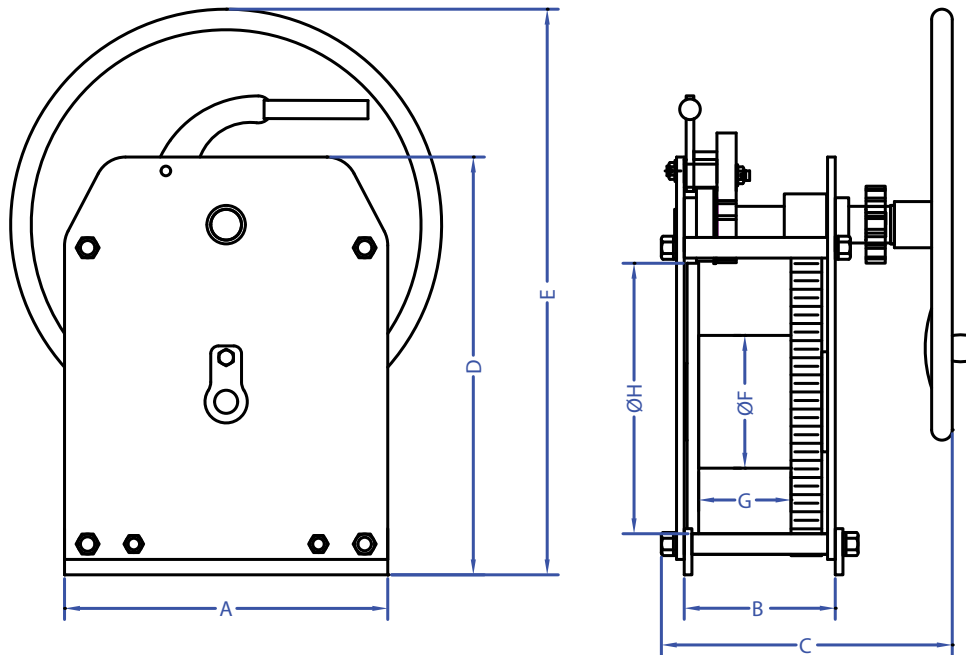
The specifications and details described by drawings or text in this literature are subject to change without notice.

10 TON MANUAL WINCH

WINCHES



LEFT HAND WINCH SHOWN
RIGHT HAND WINCH OPPOSITE

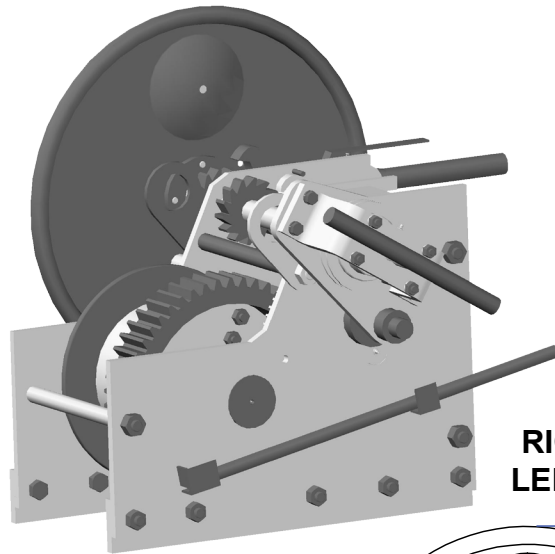


COATINGS	RH WINCH PART No.	LH WINCH PART No.
PAINTED BLACK	6593	6592
GALVANIZED	6591	6590

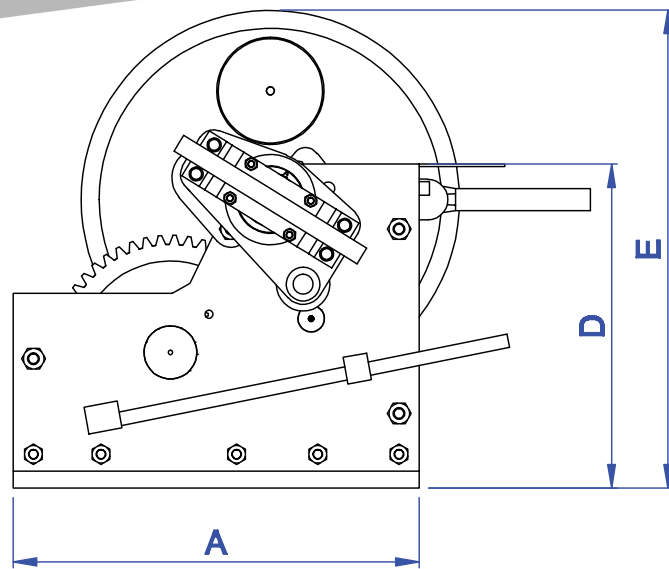
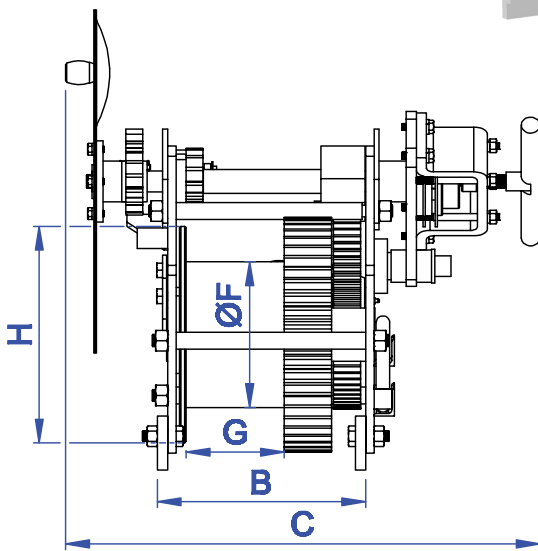
MODEL No.	PART No.	A	B	C	D	E	ØF	G	ØH	WT. (lbs.)
DF-156-10	REFER TO COATINGS TABLE	21"	9-13/16"	19"	27-1/8"	36-3/4"	8-5/8"	6"	18"	500

20 TON MANUAL WINCH

WINCHES



RIGHT HAND WINCH SHOWN
LEFT HAND WINCH OPPOSITE



COATINGS	RH WINCH PART No.	LH WINCH PART No.
PAINTED BLACK	71504	6600
GALVANIZED	87508	87508

MODEL No.	PART No.	A	B	C	D	E	ØF	G	ØH	WT. (lbs.)
DF-156-20	REFER TO COATINGS TABLE	30"	15-3/8"	33"	24"	34"	10-3/4"	7-1/4"	16"	850



NABRICO

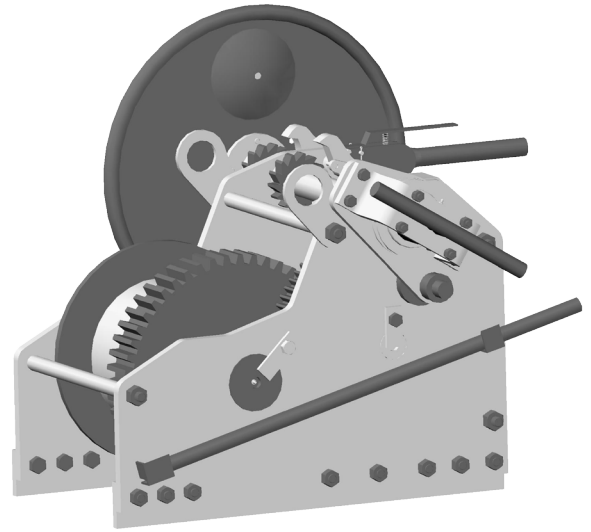
nabrico-marine.com

615.442.1300

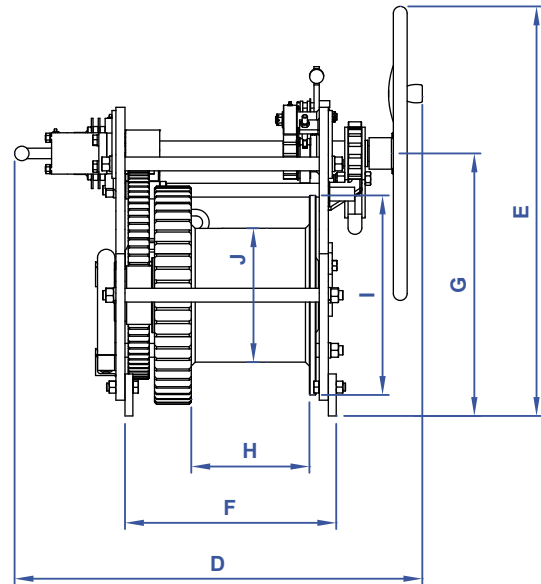
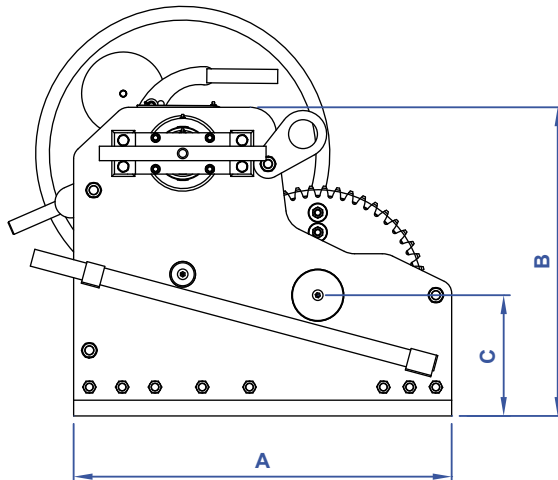
The specifications and details described by drawings or text in this literature are subject to change without notice.

40 TON MANUAL WINCH

WINCHES



RIGHT HAND WINCH SHOWN IN 3D MODEL
LEFT HAND WINCH OPPOSITE

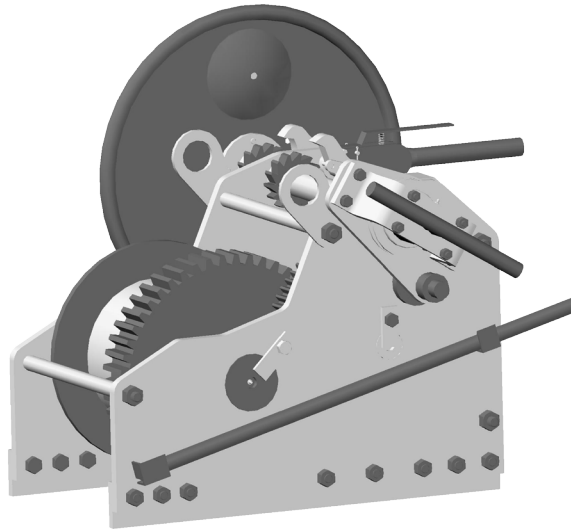


COATINGS	RH WINCH PART No.	LH WINCH PART No.
PAINTED BLACK	94201	94200
GALVANIZED	94207	94206

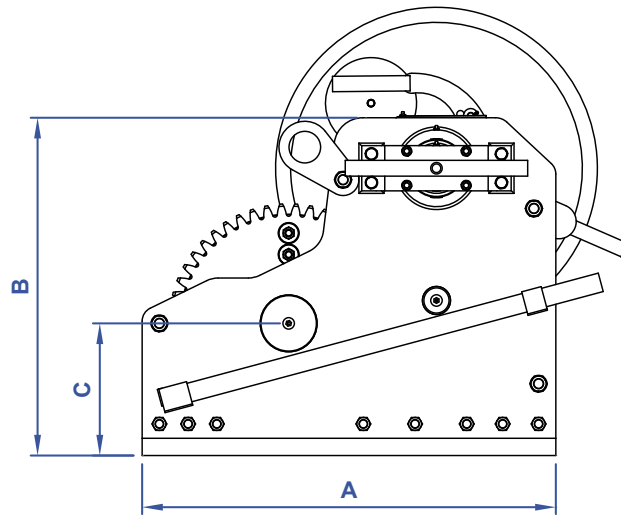
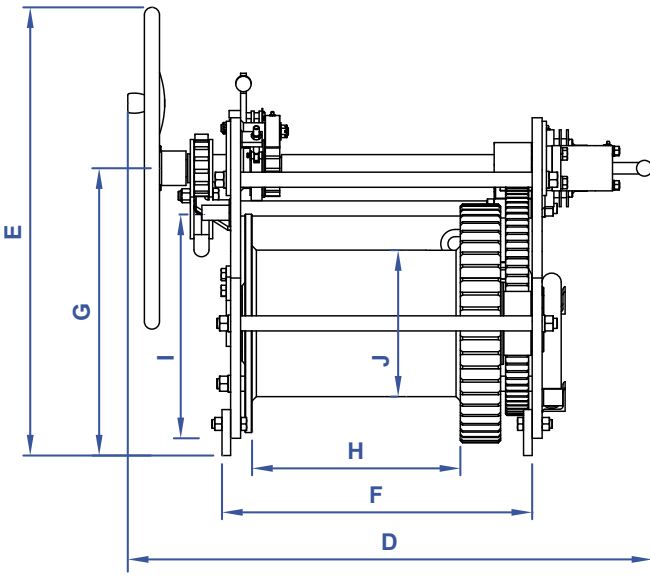
MODEL No.	PART No.	A	B	C	D	E	F	G	H	ØI	ØJ	WT. (lbs.)
DF-156-40	REFER TO COATINGS TABLE	36"	29-3/8"	11-1/2"	38-13/16"	39"	20-1/8"	25"	11-1/4"	19"	12-3/4"	1250

40 TON 18" WIDE MANUAL WINCH

WINCHES



RIGHT HAND WINCH SHOWN
LEFT HAND WINCH OPPOSITE



COATINGS	RH WINCH PART No.	LH WINCH PART No.
PAINTED BLACK	94203	94202
GALVANIZED	94209	94208

MODEL No.	PART No.	A	B	C	D	E	F	G	H	ØI	ØJ	WT. (lbs.)
DF-156-40	REFER TO COATINGS TABLE	36"	29-3/8"	11-1/2"	45-5/8"	39"	27"	25"	18-1/8"	19"	12-3/4"	1350



NABRICO

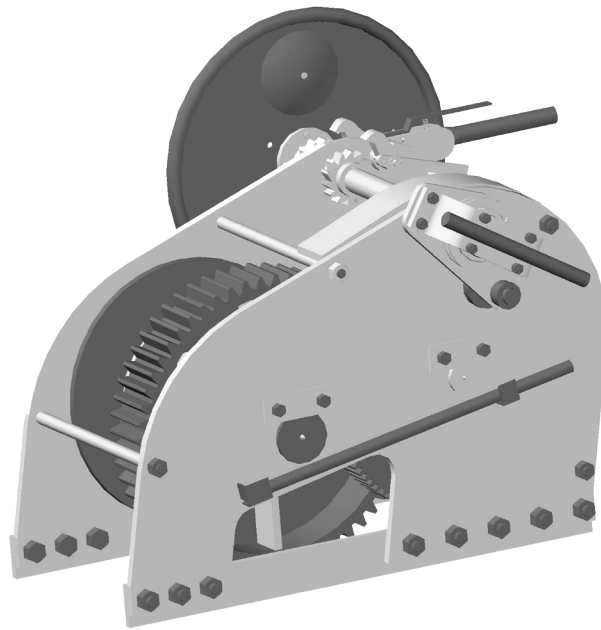
nabrico-marine.com

615.442.1300

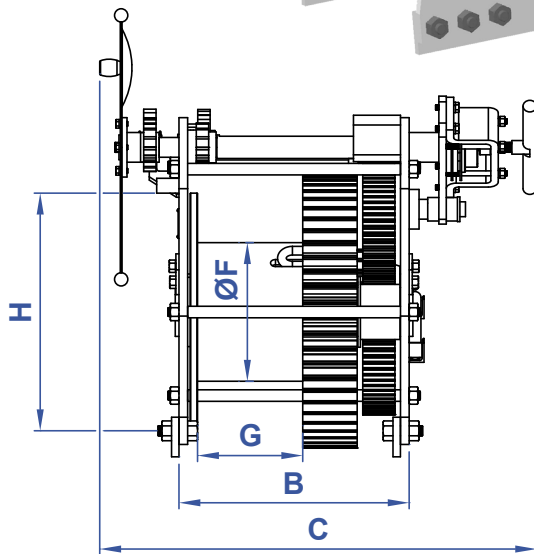
The specifications and details described by drawings or text in this literature are subject to change without notice.

60 TON MANUAL WINCH

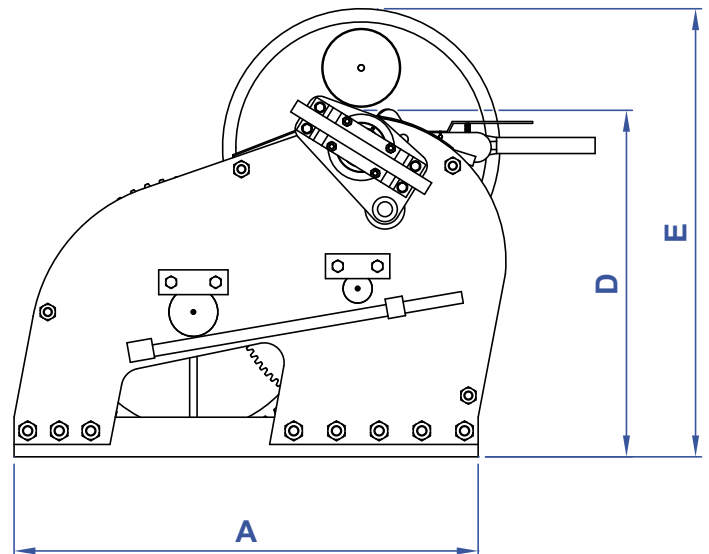
WINCHES



RIGHT HAND WINCH SHOWN
LEFT HAND WINCH OPPOSITE



CABLE

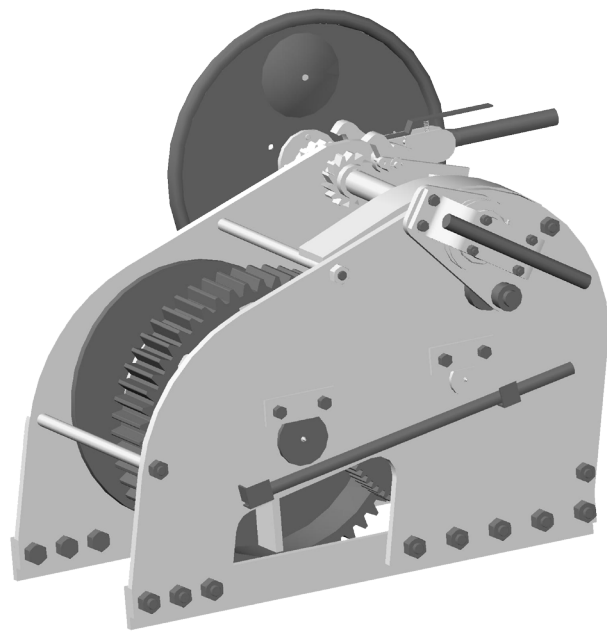


COATINGS	RH WINCH PART No.	LH WINCH PART No.
PAINTED BLACK	72033	6518
GALVANIZED	72034	6519

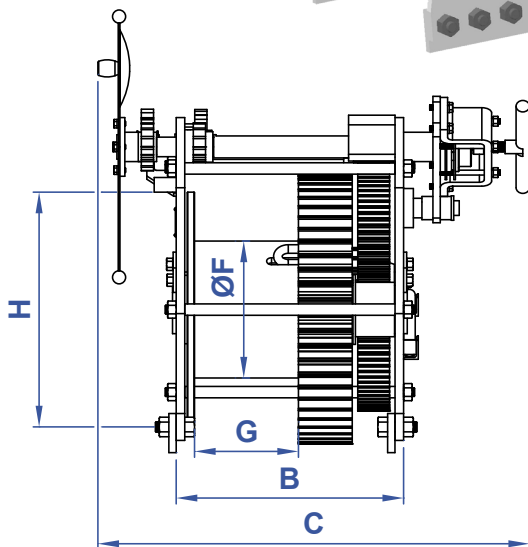
MODEL No.	PART No.	A	B	C	D	E	ØF	G	ØH	WT. (lbs.)
DF-156-60	REFER TO COATINGS TABLE	49-1/8"	23-1/4"	45"	35"	45-1/2"	14"	10-5/8"	24"	2300

75 TON MANUAL WINCH

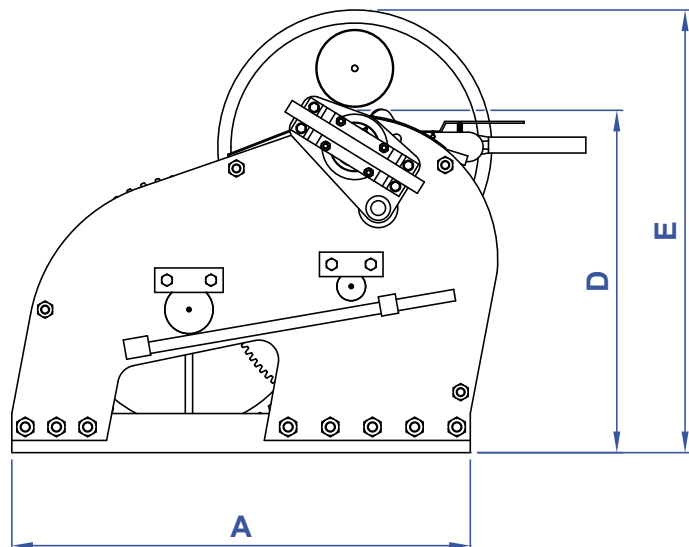
WINCHES



RIGHT HAND WINCH SHOWN
LEFT HAND WINCH OPPOSITE



CABLE



COATINGS	RH WINCH PART No.	LH WINCH PART No.
GALVANIZED	72053	72052

MODEL No.	PART No.	A	B	C	D	E	ØF	G	ØH	WT. (lbs.)
DF-156-75	REFER TO COATINGS TABLE	49-1/8"	23-1/4"	45"	35"	45-1/2"	14"	10-5/8"	24"	2800



NABRICO

nabrico-marine.com

615.442.1300

The specifications and details described by drawings or text in this literature are subject to change without notice.

DF-529 LOW PROFILE WINCH

WINCHES

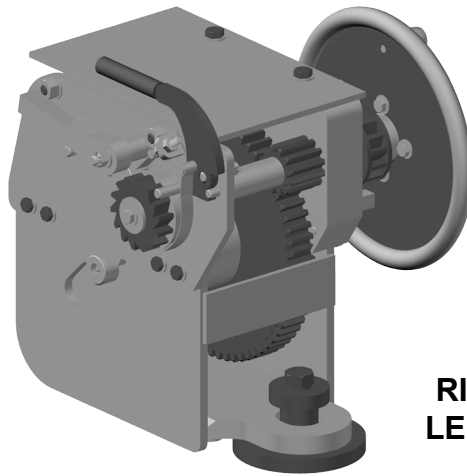


- Heavy duty springless, galvanized ratchet handles.
- Stainless steel brake drum and band.
- Chrome plated shafts.
- Bronze bushings with graphite inserts.
- Stainless / bronze hardware.
- Two-piece side plate for easy maintenance.
- “Easy off” handwheel.
- Doubler plate, base bar, d-ring or swivel mounting.
- Right and left hand models.
- Blasted and epoxy painted.
- Hot dipped galvanized option available.
- High load release dog.

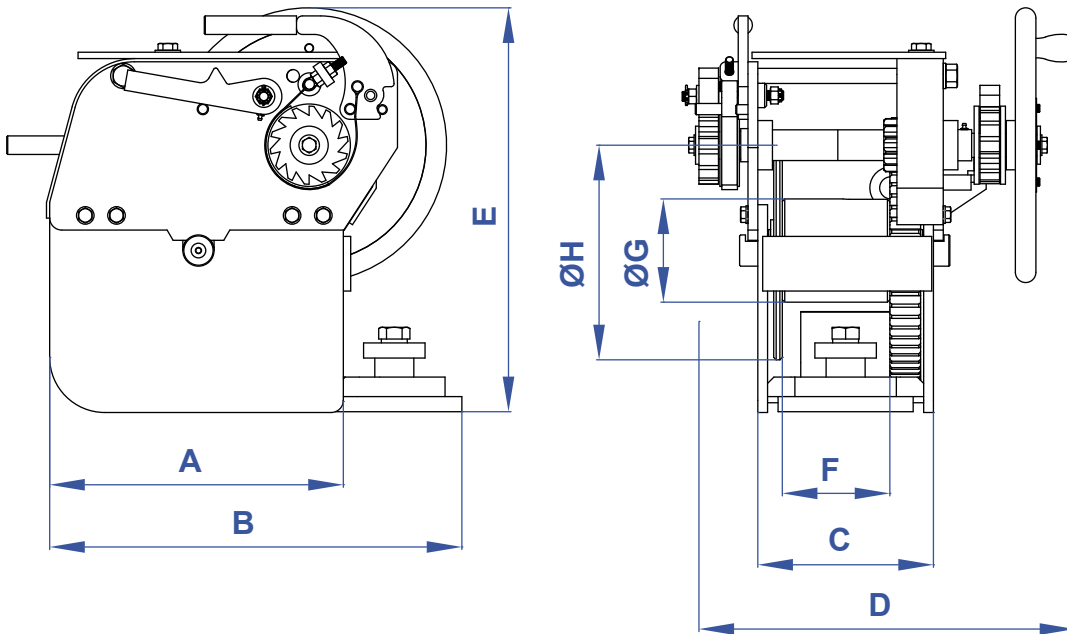
MODEL No.	HOLDING DOG &/OR BRAKE	LINE PULL @ FIRST LAYER WITH ONE MAN (LBS)		DRUM FLANGE DIAM.	DRUM		DRUM CAPACITIES (FT)				DIMENSIONAL DATA (INCHES)		
	S. TONS	HAND WHEEL	RATCHET W/ STD. EXT.		DIAM	WIDTH	5/8"	3/4"	7/8"	1"	W	L	H
DF-529	40 TONS	2,000	8,000	14"	6.6"	6.89"	126	95	85	70	12-1/2"	19-3/4"	22-3/4"

40 TON LP BUTTON MOUNT WINCH

WINCHES



RIGHT HAND WINCH SHOWN
LEFT HAND WINCH OPPOSITE



COATINGS	RH WINCH PART No.	LH WINCH PART No.
PAINTED BLACK	90088	90098
GALVANIZED	89101	89100

MODEL No.	PART No.	A	B	C	D	E	ØF	G	ØH	WT. (lbs.)
DF-529	REFER TO COATINGS TABLE	18-3/4"	26-1/2"	11-1/4"	24"	25-1/2"	6-7/8"	6-5/8"	14"	550



nabrico-marine.com

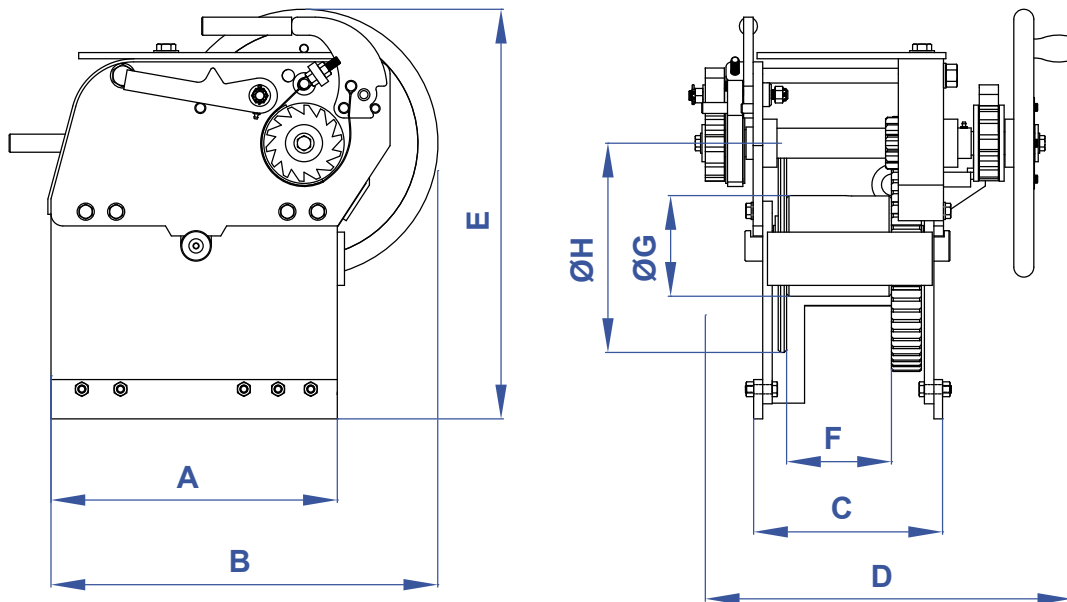
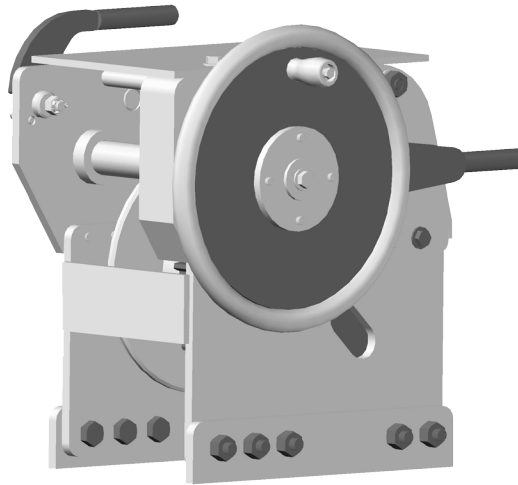
615.442.1300

The specifications and details described by drawings or text in this literature are subject to change without notice.

40 TON LP BASE BAR MOUNT WINCH

WINCHES

RIGHT HAND WINCH SHOWN
LEFT HAND WINCH OPPOSITE

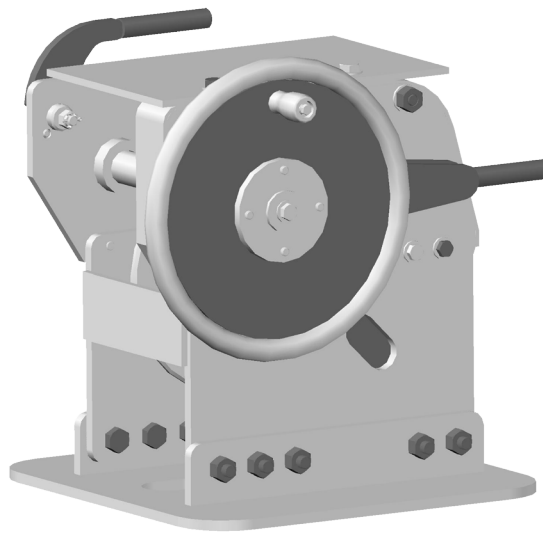


COATINGS	RH WINCH PART No.	LH WINCH PART No.
PAINTED BLACK	89081	89080
GALVANIZED	89103	89102

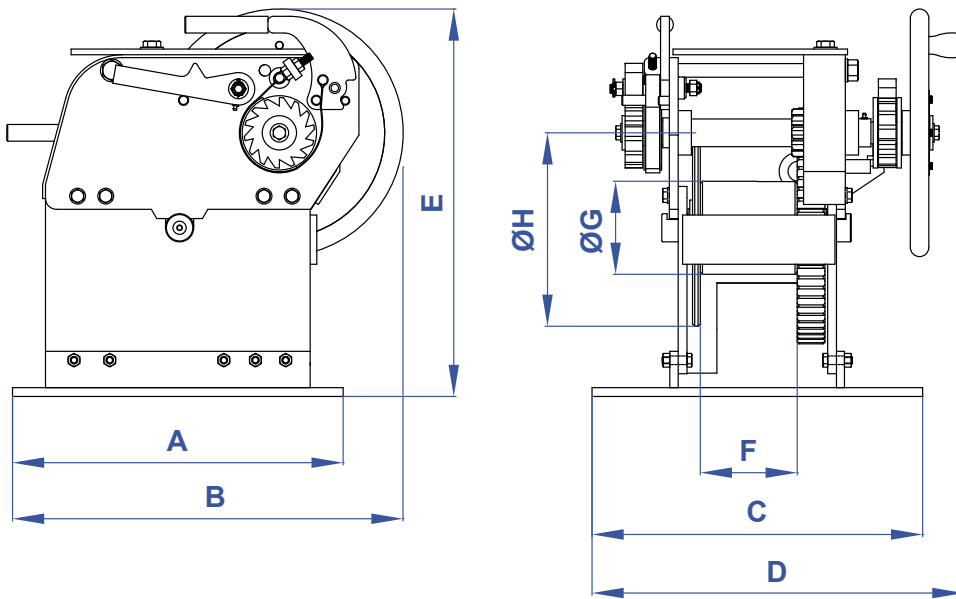
MODEL No.	PART No.	A	B	C	D	E	F	ØG	ØH	WT. (lbs.)
DF-529	REFER TO COATINGS TABLE	19-11/16"	26-1/2"	12-1/2"	24"	25-1/2"	6-7/8"	6-5/8"	14"	480

40 TON LP DOUBLER PLATE MOUNT

WINCHES



RIGHT HAND WINCH SHOWN
LEFT HAND WINCH OPPOSITE



COATINGS	RH WINCH PART No.	LH WINCH PART No.
PAINTED BLACK	89088	89098
GALVANIZED	89092	89093

MODEL No.	PART No.	A	B	C	D	E	ØF	G	ØH	WT. (lbs.)
DF-529	REFER TO COATINGS TABLE	23-1/2"	28-3/8"	23-1/2"	24-1/2"	25-1/2"	6-7/8"	6-5/8"	14"	550


NABRICO

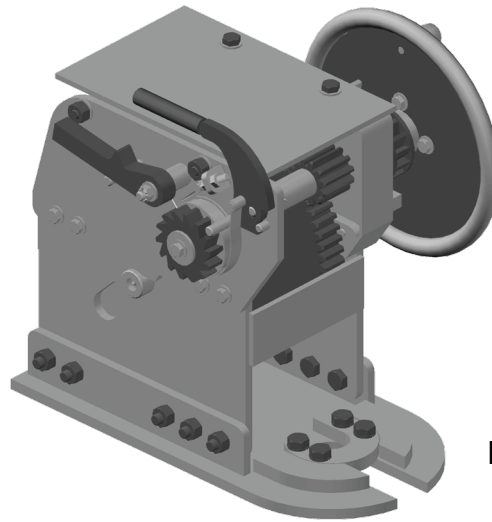
nabrico-marine.com

615.442.1300

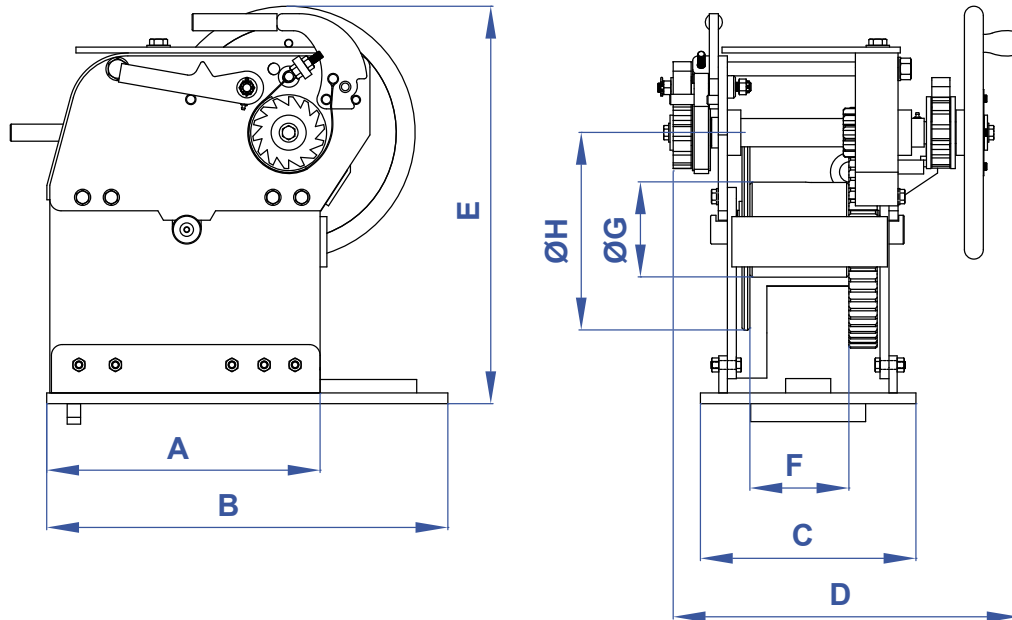
The specifications and details described by drawings or text in this literature are subject to change without notice.

40 TON LP D-RING MOUNT WINCH

WINCHES



RIGHT HAND WINCH SHOWN
LEFT HAND WINCH OPPOSITE

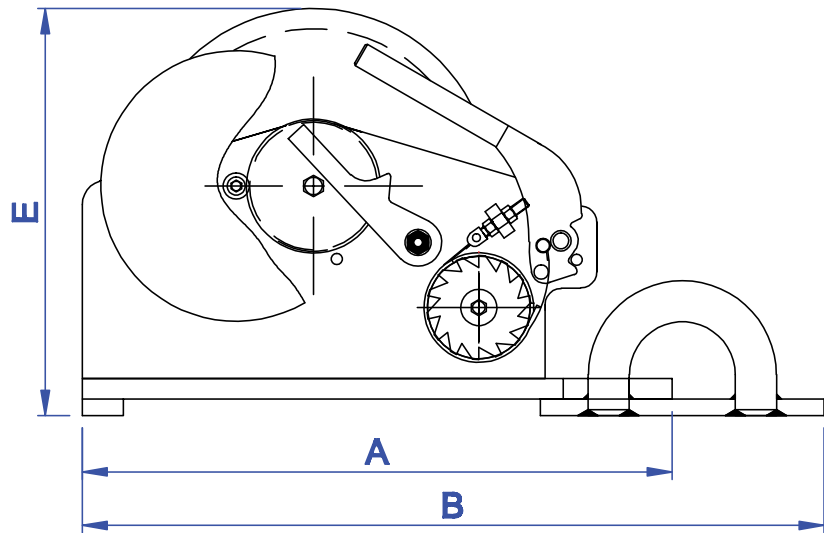
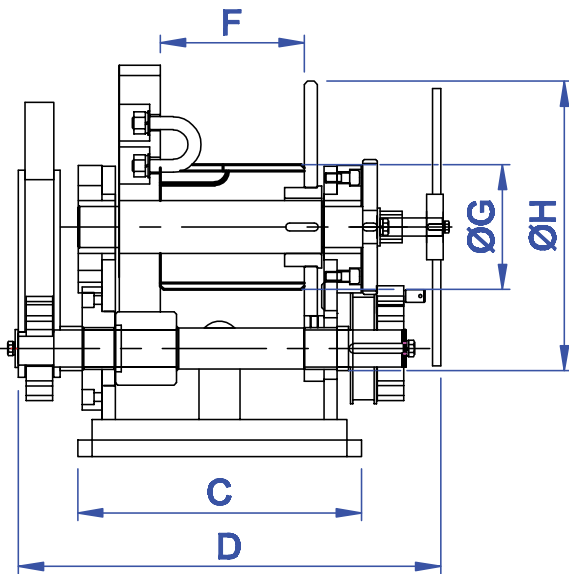
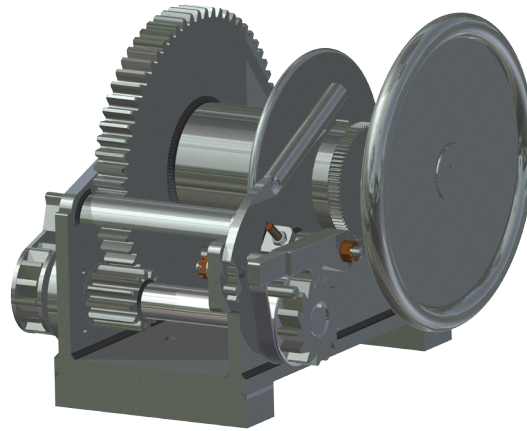


COATINGS	RH WINCH PART No.	LH WINCH PART No.
PAINTED BLACK	89083	89082
GALVANIZED	89090	89091

MODEL No.	PART No.	A	B	C	D	E	F	ØG	ØH	WT. (lbs.)
DF-529	REFER TO COATINGS TABLE	19-11/16"	29-1/2"	15"	24"	25-1/2"	6-7/8"	6-5/8"	14"	550

40 TON COMPACT LOW PROFILE WINCH

WINCHES



RIGHT HAND WINCH SHOWN
LEFT HAND WINCH OPPOSITE

COATINGS	RH WINCH PART No.	LH WINCH PART No.
GALVANIZED	89061	89060

MODEL No.	PART No.	A	B	C	D	E	F	ØG	ØH	WT. (lbs.)
DF-539	REFER TO COATINGS TABLE	28-5/16"	35-9/16"	13-9/16"	19-7/8"	19-1/2"	6-7/8"	6"	14"	500



NABRICO

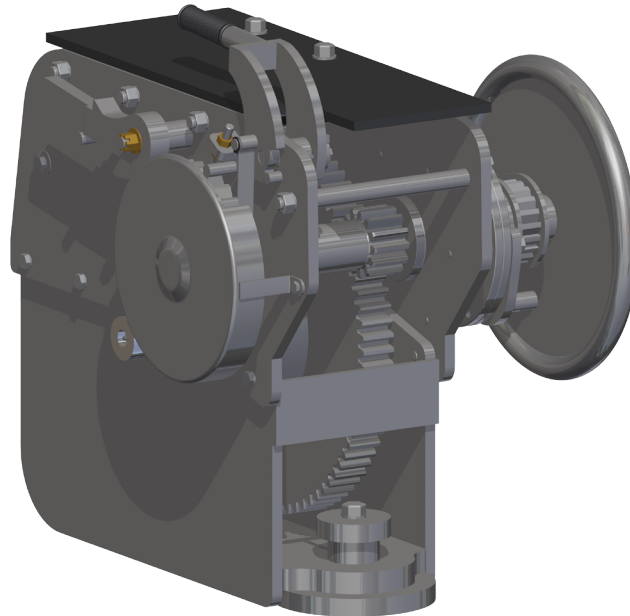
nabrico-marine.com

615.442.1300

The specifications and details described by drawings or text in this literature are subject to change without notice.

DF-545 PLANETARY WINCH

WINCHES

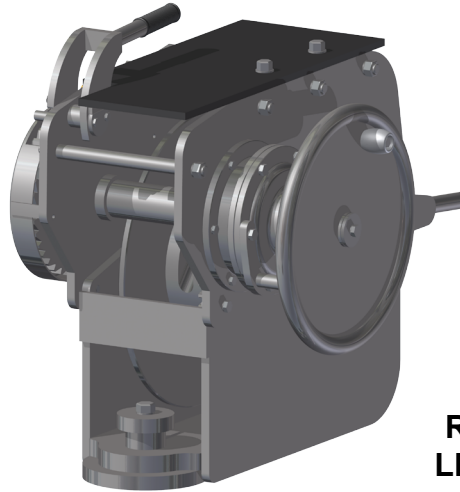


- Lowest cost of ownership — SS parts and fasteners attach simple assemblies that are field replaceable.
- Full load release — Patented design. No need to ever beat out the locking dog and built with a stainless brake that will not corrode.
- Two-speed spooling — Fast 5:1 at the handwheel and Powerful 19:1 using the ratchet.
- Compact and easy to maneuver at 690 lbs.
- Wire control — Proven to reduce fouling with easy payout.
- Wire capacity — Drum will spool 70' of 1" wire.
- Durable enclosure — No flimsy guards to get in the way, we use plate and belting.

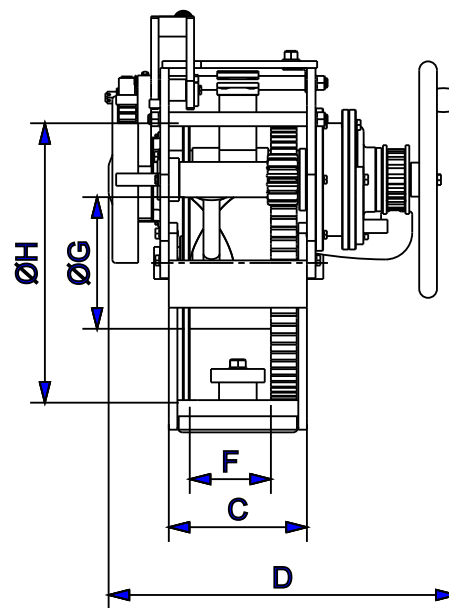
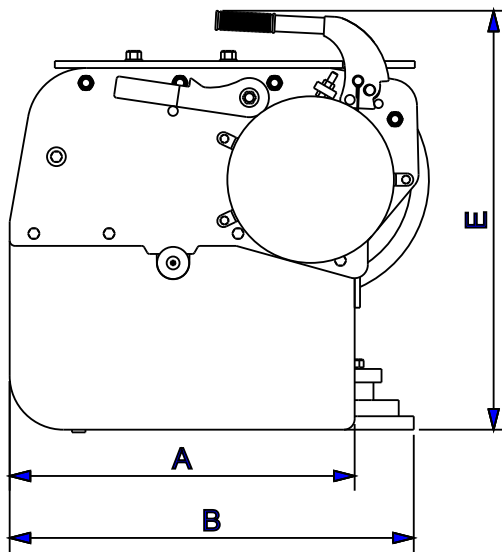
MODEL No.	HOLDING DOG	LINE PULL @ FIRST LAYER WITH ONE MAN (LBS)		DRUM CAPACITIES (FT)
	S. TONS	HAND WHEEL	RATCHET W/ STD. EXT.	1"
DF-545	40	2,000	18,000	70

DF-545 PLANETARY WINCH

WINCHES



RIGHT HAND WINCH SHOWN
LEFT HAND WINCH OPPOSITE



COATINGS	RH WINCH PART No.	LH WINCH PART No.
GALVANIZED	88876	88875

MODEL No.	PART No.	A	B	C	D	E	F	ØG	ØH	WT. (LBS)
DF-545	REFER TO COATINGS TABLE	25-15/16"	29-5/8"	10-1/8"	25-1/2"	30-11/16"	6"	9-7/8"	20-1/2"	690



NABRICO

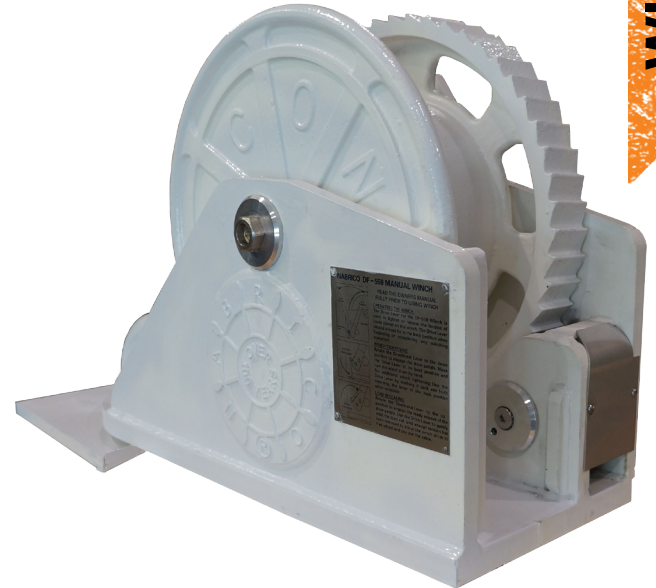
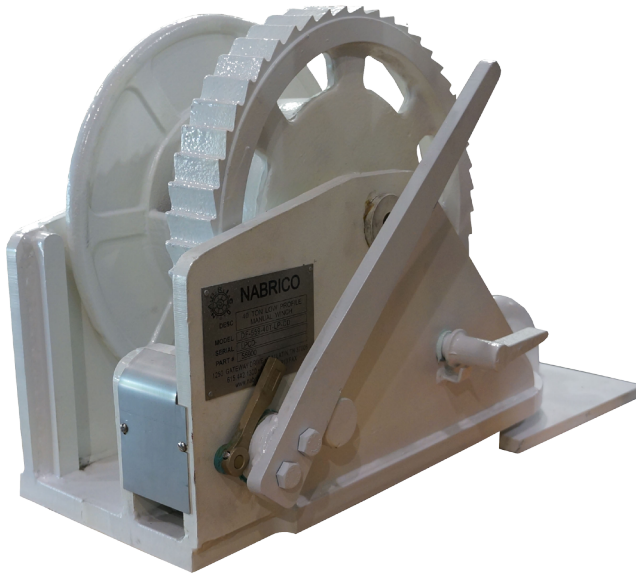
nabrico-marine.com

615.442.1300

The specifications and details described by drawings or text in this literature are subject to change without notice.

DF-559 CAST DRUM WINCH

WINCHES

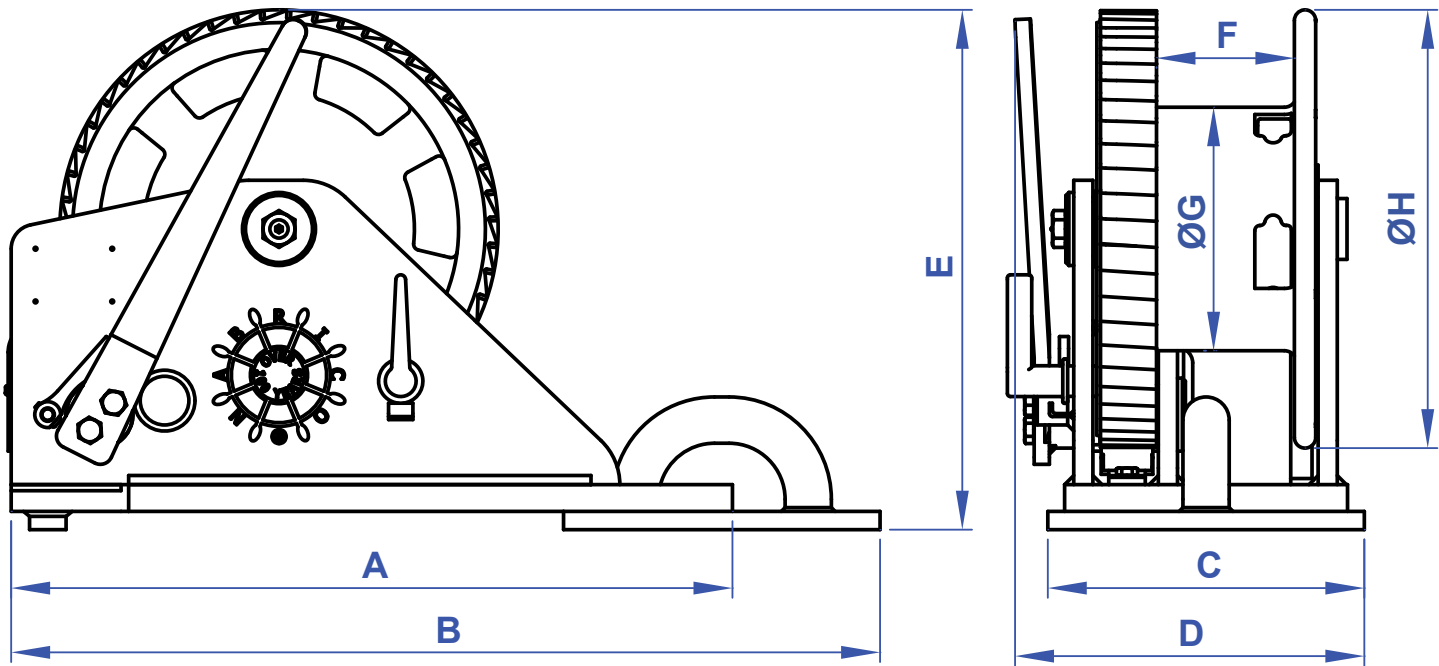


- Ultra low profile.
- Simple to use.
- Low cost, easy maintenance.
- Rope drum wedge wire attachment.
- Nodular iron drum.
- 4140 High strength steel drive system.
- Precision investment cast components.
- SS, bronze and hard chromed moving parts.
- Aftermarket parts for other winches in stock.

MODEL NO.	MOUNT	HOLDING DOG &/OR BRAKE	LINE PULL @ FIRST LAYER (LBS)	DRUM CAPACITY (FT)		WEIGHT
		S. TONS	RATCHET W/ STD. EXT.	7/8"	1"	LBS
DF-559-40	PADEYE	40	12,000 (est)	70	40	462

DF-559 CAST DRUM WINCH

WINCHES



MODEL No.	PART No.	A	B	C	D	E	F	G	H	WT. (lbs.)
DF-559	55900	29-5/8"	35-11/16"	13"	14-3/8"	21-3/8"	5-2/3"	10"	18"	462



NABRICO

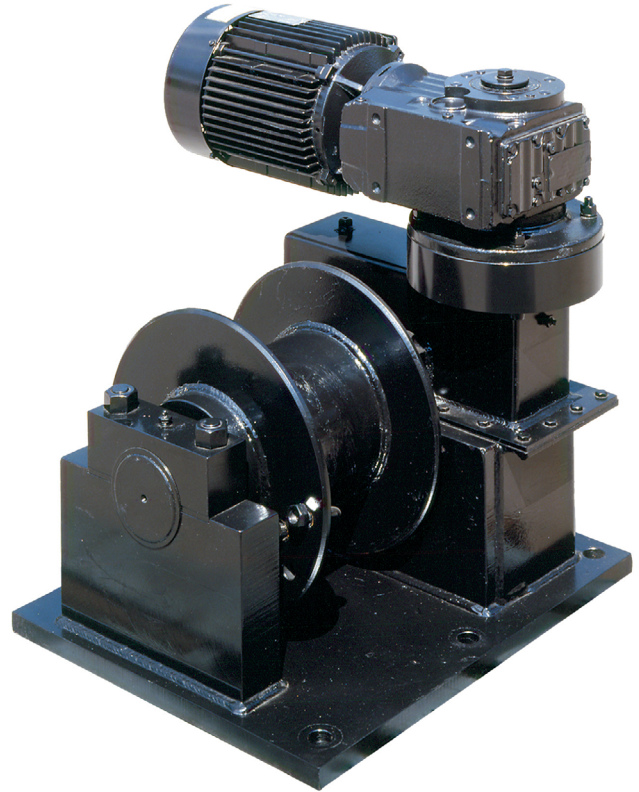
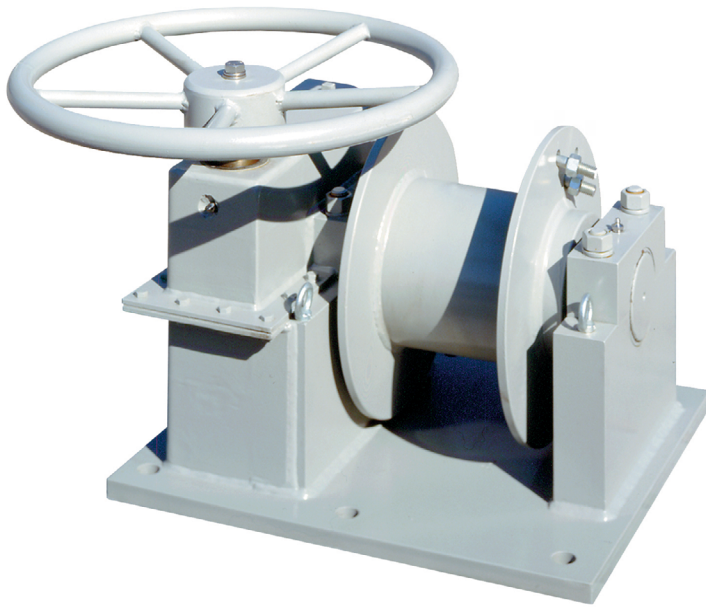
nabrico-marine.com

615.442.1300

The specifications and details described by drawings or text in this literature are subject to change without notice.

PARKER WINCH

WINCHES

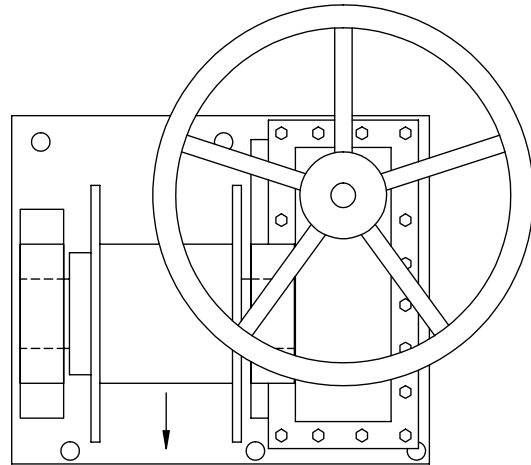
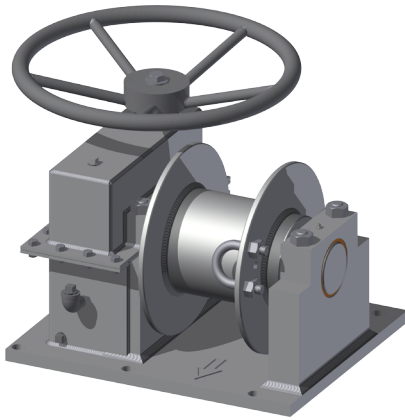


MODEL	HOLDING CAPACITY	LINE PULL @ FIRST LAYER OF CABLE			LINE SPEED @ FIRST LAYER OF CABLE	DRUM DIMENSIONS			DRUM CAPACITY (ft.)					MOTOR
		@ RATED AMPS	@ MOTOR STALL	HAND WHEEL		FLANGE DIA.	DRUM DIA.	DRUM WIDTH	CABLE SIZE (in.)					
		S. TONS	LBS.	LBS.		LBS.	FPM	IN.	IN.	IN.	1/2	5/8	3/4	
DF-170-25	25	5,800	7,500	7,000	25	14.75	8.00	7.63	230	195	125	90	65	5.4

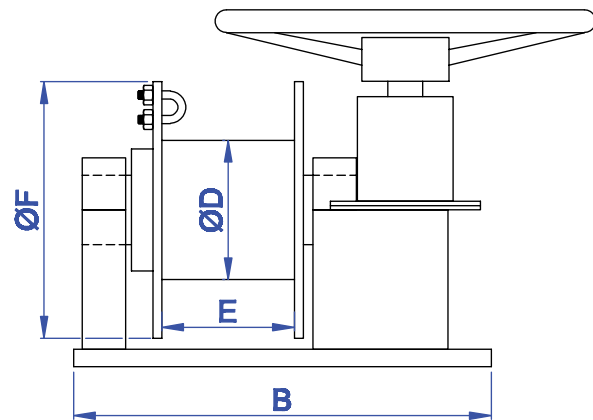
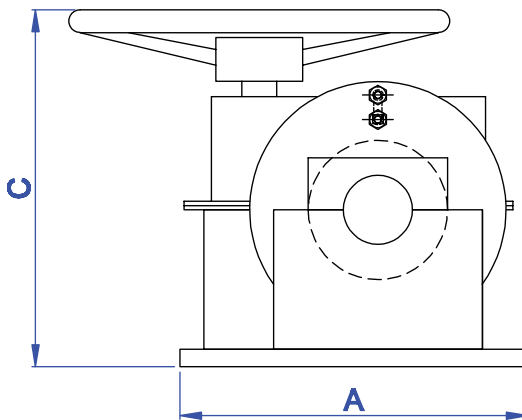
Parker Towing Winches have been in the marine marketplace for more than fifty years. Still marketed under the Parker name but owned by NABRICO, they benefit from the added support of NABRICO's commitment to quality, inventory maintenance, continuing product improvement and customer service. We offer an electric model and have made it possible for all manual units to be retrofitted.

25 TON PARKER WINCH

WINCHES



LEFT HAND WINCH SHOWN IN MODEL
RIGHT HAND WINCH OPPOSITE



COATINGS	RH WINCH PART No.	LH WINCH PART No.
PAINTED	100506	100501

MODEL No.	PART No.	A	B	C	ØD	E	ØF	WT. (lbs.)
DF-170-25-M	REFER TO COATINGS TABLE	20"	24"	20-1/2"	8"	7-5/8"	14-3/4"	680



NABRICO

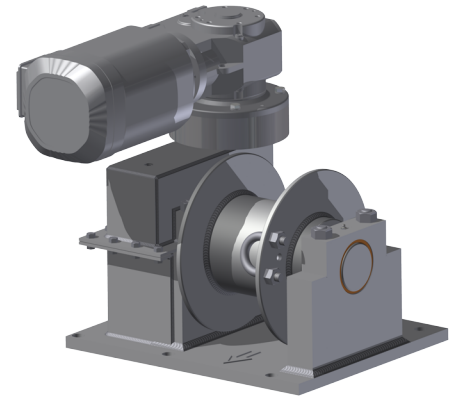
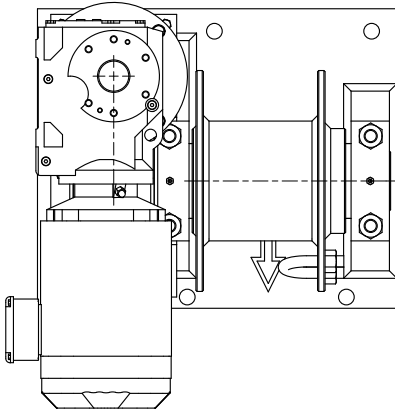
nabrico-marine.com

615.442.1300

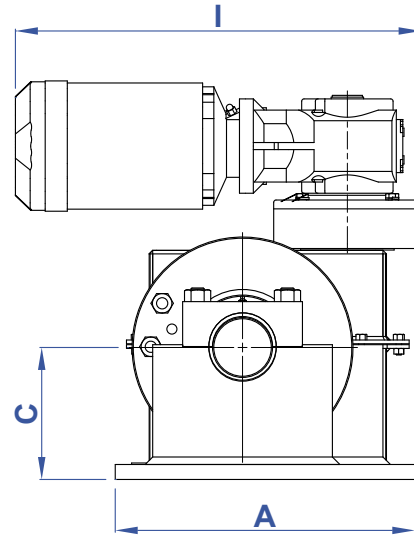
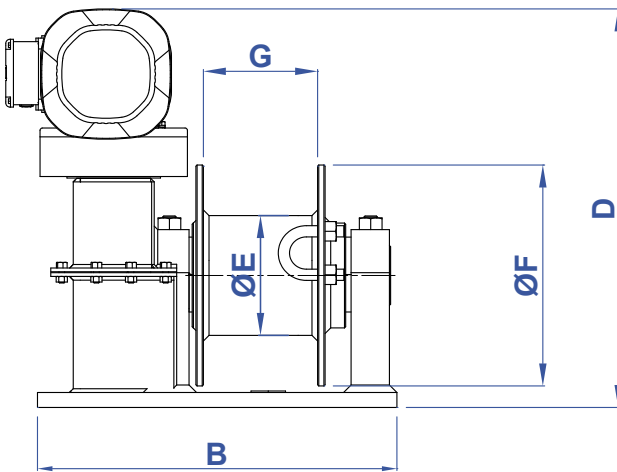
The specifications and details described by drawings or text in this literature are subject to change without notice.

25 TON PARKER ELECTRIC WINCH

WINCHES



LEFT HAND WINCH SHOWN
RIGHT HAND WINCH OPPOSITE



COATINGS	RH WINCH PART No.	LH WINCH PART No.
PAINTED	100507	100502

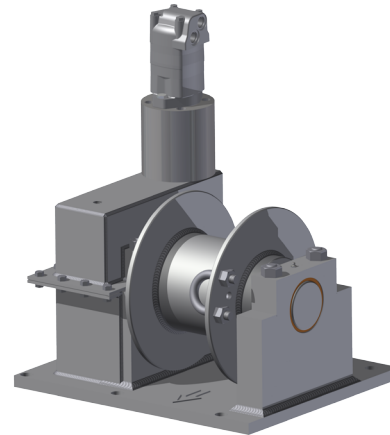
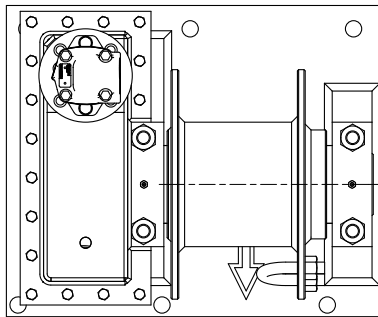
NOTES:

Electric motor replaces the manual handwheel and attaches to the winch by using the adapter shaft (PN 100708) and adapter ring (PN 100709).

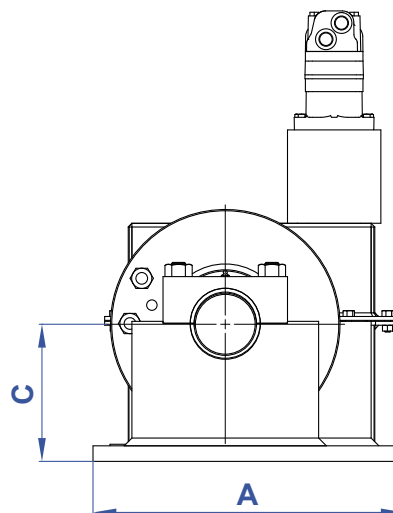
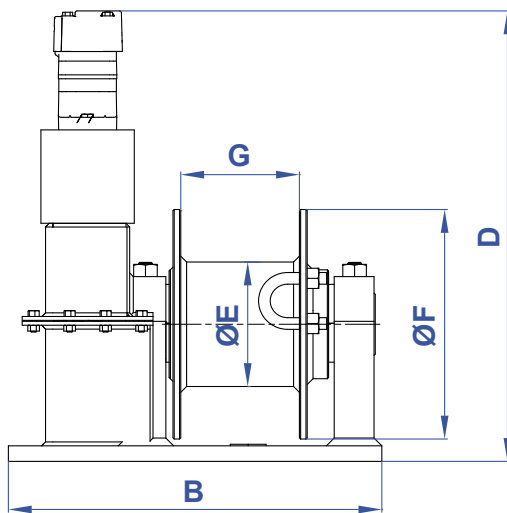
MODEL No.	PART No.	A	B	C	D	ØE	ØF	G	H	WT. (lbs.)
DF-170-25-E	REFER TO COATINGS TABLE	20"	24"	8-13/16"	26-5/8"	8"	14-3/4"	7-5/8"	27"	840

25 TON PARKER HYDRAULIC WINCH

WINCHES



LEFT HAND WINCH SHOWN
RIGHT HAND WINCH OPPOSITE



COATINGS	RH WINCH PART No.	LH WINCH PART No.
PAINTED	100911	100910

NOTES:

Hydraulic motor replaces the manual handwheel and attaches to the winch by using the adapter shaft (PN 100908) and adapter ring (PN 100909).

MODEL No.	PART No.	A	B	C	D	ØE	ØF	G	WT. (lbs.)
DF-170-25-H	REFER TO COATINGS TABLE	20"	24"	8-13/16"	29"	8"	14-3/4"	7-5/8"	840



NABRICO

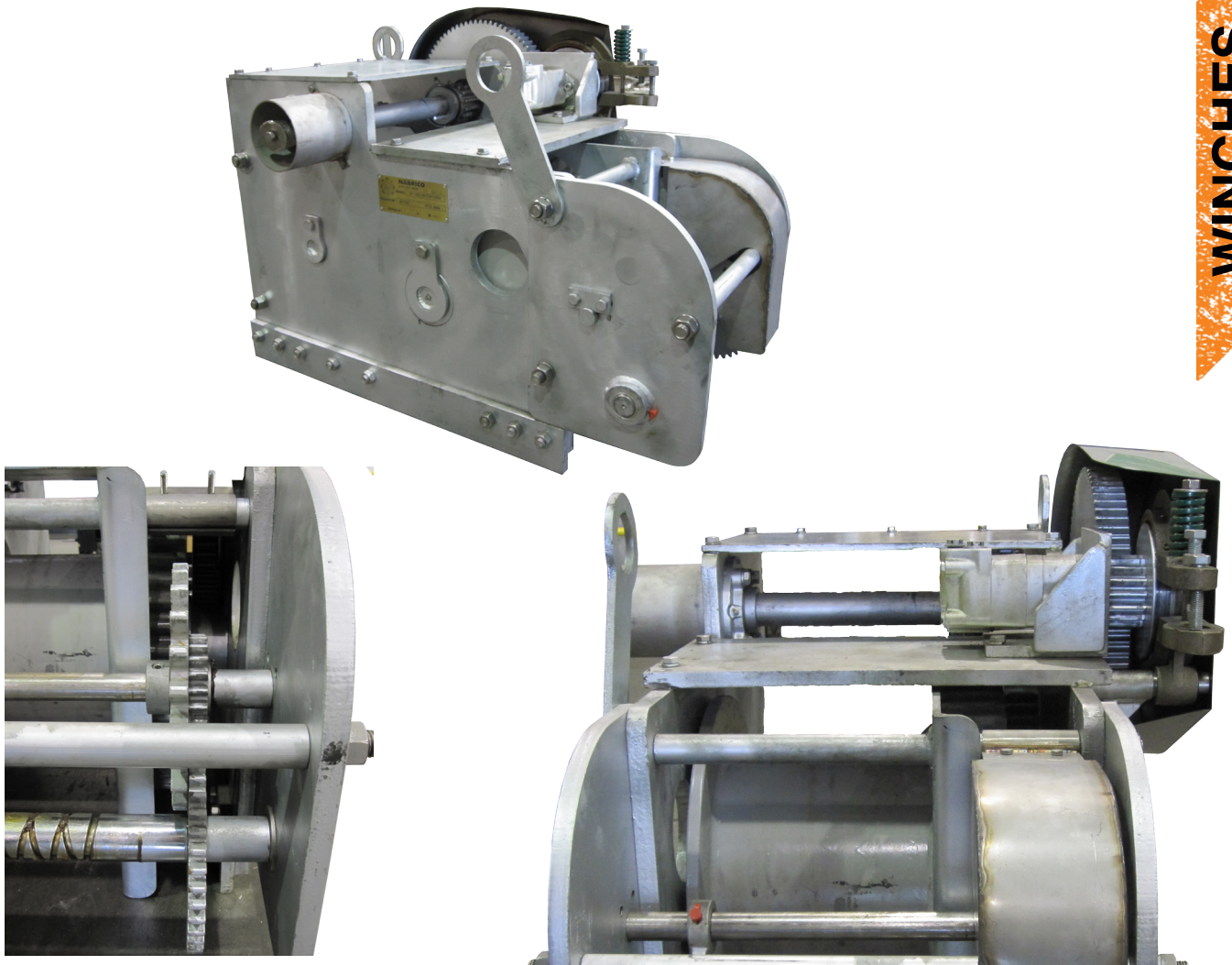
nabrico-marine.com

615.442.1300

The specifications and details described by drawings or text in this literature are subject to change without notice.

LEVEL WIND KIT

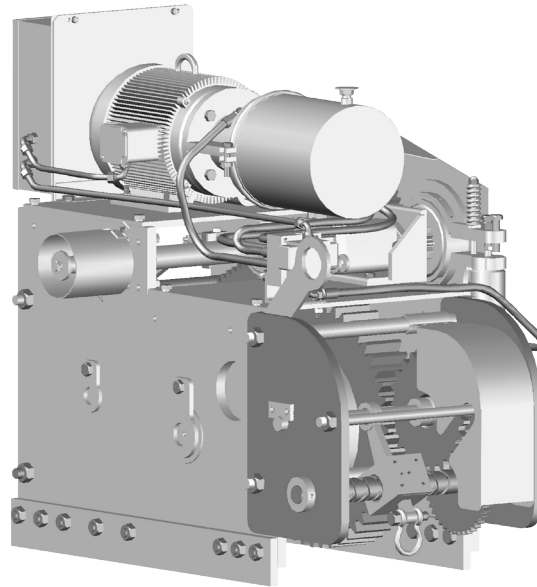
WINCHES



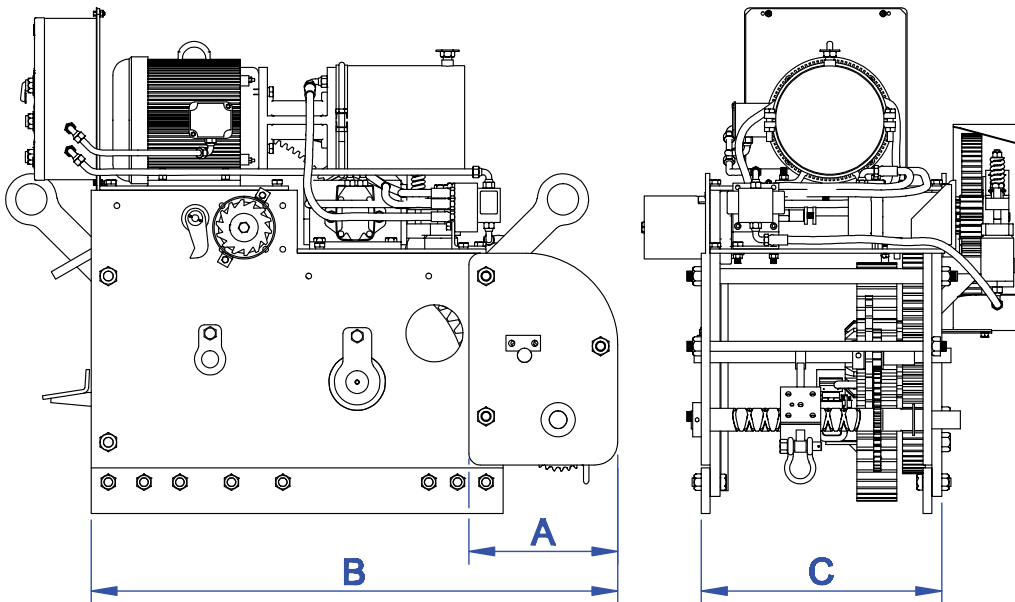
NABRICO's Level Wind Kit has the ability to turn our standard DF-156-40 Hydra-Electric or DF-1-40 Electric winches into a winch with a powered level wind. These kits are field retrofits with simple bolt-on replacement. When you purchase the Level Wind Kit, everything is included inside the box with no additional hardware needed. The Level Wind Kit is custom to each specific size of wire rope or synthetic rope to ensure the most uniform winding on the drum, so please let our sales team know what rope type and size you're using when ordering.

LEVEL WIND KIT FOR DF-156 HE WINCH

WINCHES



RIGHT HAND WINCH SHOWN
LEFT HAND WINCH OPPOSITE



PART No.	SIZE	LENGTH A	LENGTH B	WIDTH C	WT. (lbs.)
82101-LH 82102-RH	40 TON	13"	46"	21-3/4"	190



NABRICO

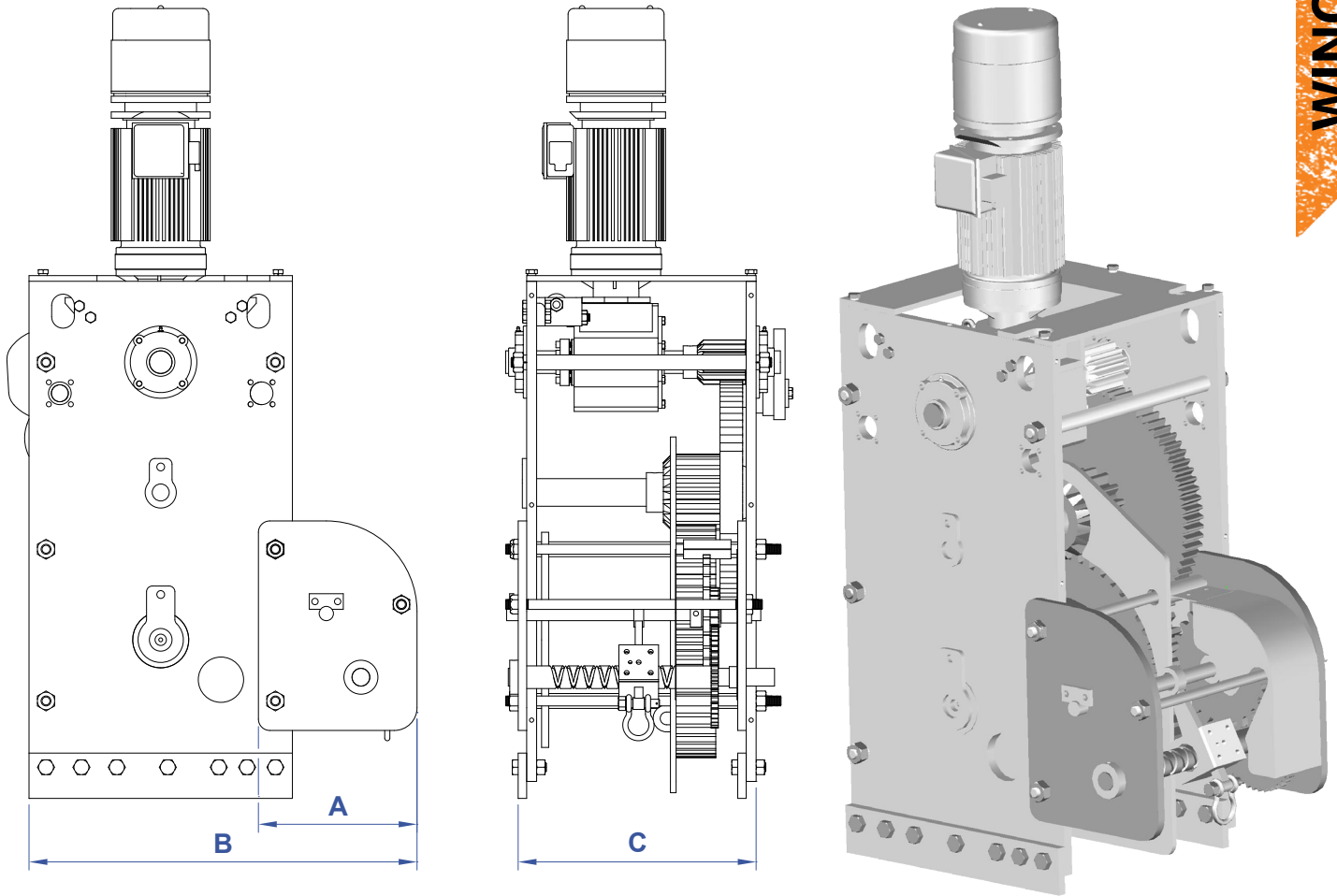
nabrico-marine.com

615.442.1300

The specifications and details described by drawings or text in this literature are subject to change without notice.

LEVEL WIND KIT FOR 40 TON ELECTRIC

WINCHES

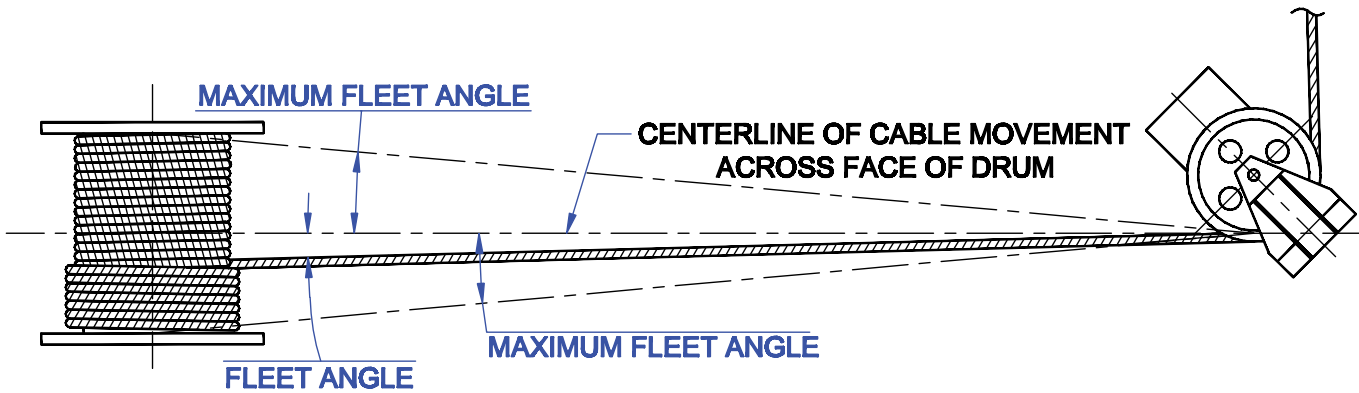


LEFT HAND WINCH SHOWN
RIGHT HAND WINCH OPPOSITE

PART No.	SIZE	A	B	C	WT. (lbs.)
82097-LH 82098-RH	40 TON	14"	34-1/4"	21-3/4"	190

FLEET ANGLE

WINCHES



Fleet Angle:

In order to insure proper wrapping on the drum and no undue wear of the wire rope, the fleet angle should be kept as small as practical. This is important to consider during the planning of a winch installation. Sheaves and drums should be placed so that the fleet angle will be equal on each side of the centerline of rope travel.

For a smooth drum a maximum fleet angle of 1-1/2 degrees is recommended. When the drum is grooved to suit the wire rope, the fleet angle should not exceed 2 degrees.

Example: Fleet Angle Calculation for 36" Chain Drive Barge Moving Winch

36" Chain Drive Moving Winch

$$a=18''$$

$$b=x \text{ (distance to be determined)}$$

$$A^\circ=1.5^\circ \text{ (maximum for a smooth drum)}$$

$$\tan A = a/b$$

$$\tan 1.5^\circ = 18''/x$$

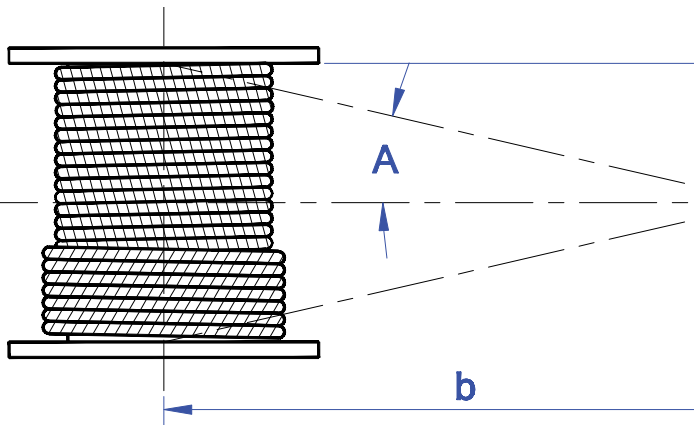
$$.02619 = 18''/x$$

$$x = 18''/.02619$$

$$x \sim 688'' \text{ (rounded up to next whole number)}$$

$$x \sim 688'' / 12 \text{ (convert to feet)}$$

$$x \sim 58'$$




NABRICO

nabrico-marine.com

615.442.1300

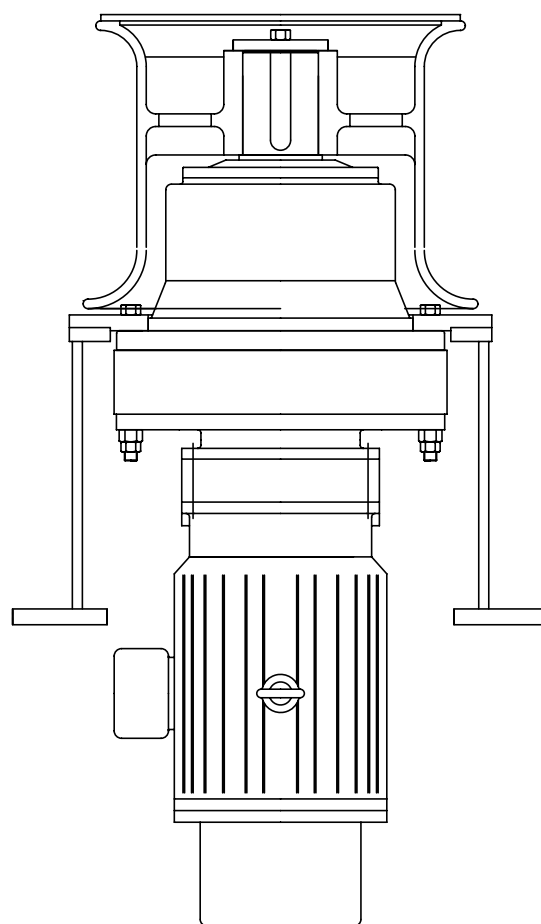
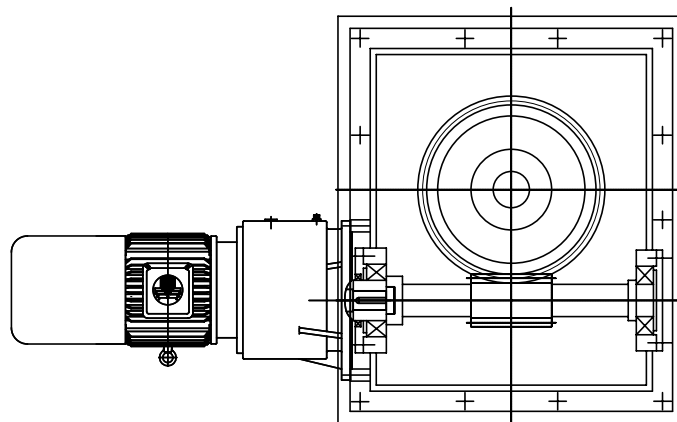
The specifications and details described by drawings or text in this literature are subject to change without notice.

CAPSTANS

NABRICO provides a variety of capstan options to meet your specific requirements. Whether your needs require a thru-deck, above deck, electric or hydraulic capstan, our engineers and sales people will provide a capstan to meet the demands of your applications.

CAPSTANS

HI-CAP	84
CAPSTAN WINCH	88
ELECTRIC / HYDRAULIC	90



CAPSTANS

HI-CAP CAPSTAN

CAPSTANS



- Class defining 80,000 pounds of bollard pull.
- Straightforward simple design.
- High tensile alloy shaft.
- Oversized bearing surfaces.
- Blasted near-white with a 3-part marine grade epoxy paint.
- Design your own to meet your specifications.
- Ductile iron high strength gearbox.
- Gearbox has extraordinarily high shock load and efficiency.
- Big performance at a low cost.

MODEL No.	PART No.	SIZE	LINE PULL (RUNNING)	LINE PULL (STARTING)	LINE SPEED	MOTOR POWER	BOLLARD CAPACITY
DF-HC-12-3-50-E	197107	C12	3,200 LBS	6,400 LBS	50 FT/MIN	5.0 HP	80,000 LBS
DF-HC-12-7-33-E	197505	D12	7,000 LBS	14,000 LBS	33 FT/MIN	7.5 HP	80,000 LBS
DF-HC-12-11-29-3	197502	E12	10,900 LBS	21,800 LBS	29 FT/MIN	10 HP	80,000 LBS
DF-HE-18-13-35-E	197507	F18	13,450 LBS	26,900 LBS	35 FT/MIN	15 HP	80,000 LBS



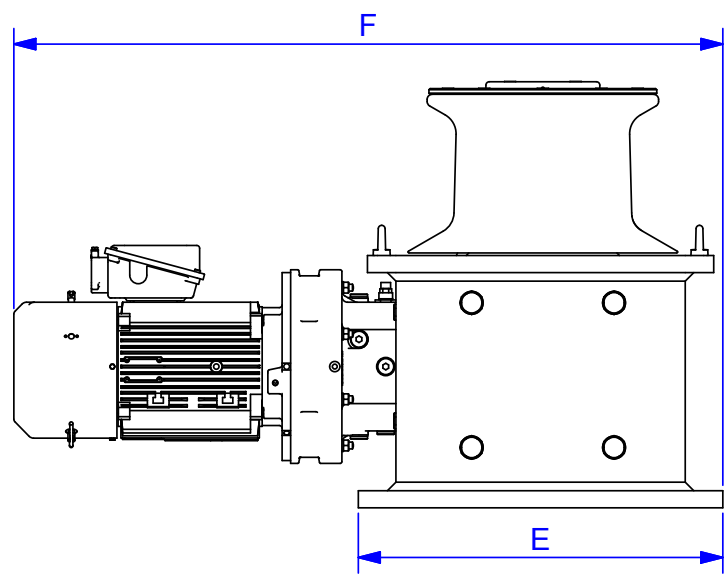
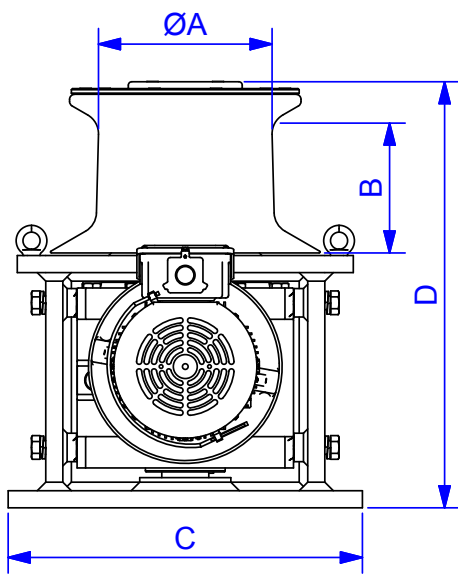
NABRICO

nabrico-marine.com

615.442.1300

The specifications and details described by drawings or text in this literature are subject to change without notice.

HI-CAP CAPSTAN



CAPSTANS

MODEL No.	PART No.	ØA	B	C	D	E	F	WT. (lbs.)
DF-HC-12-3-50-E	197107	12"	9"	22-1/2"	27-9/32"	21-3/4"	40-7/16"	1,240
DF-HC-12-5-50-E	197505	12"	9"	24-1/2"	29-7/16"	25-3/16"	47-13/32"	1,800
DF-HC-12-11-29-E	197502	12"	9"	29-1/8"	31-5/8"	30-1/8"	52-7/16"	3,100
DF-HC-18-13-35-E	197507	18"	15"	31-1/8"	39-1/4"	32-3/8"	58-9/16"	4,100

HI-CAP LINE PULL AND SPEED OPTIONS

CAPSTANS

MODEL	HEAD DIAMETER (IN)	MOTOR SIZE (HP)	GEAR-BOX RPM	RUNNING LINE PULL (LBS)	STARTING LINE PULL (LBS)	RUNNING LINE SPEED (FPM)	RATIO	BOX SIZE
DF-HC-12-2-58-E	12	3	17.16	1,611	3,221	58.39	102	C140
DF-HC-12-2-53-E	12	3	15.63	1,769	3,537	53.18	112	C140
DF-HC-12-2-48-E	12	3	14.23	1,942	3,884	48.42	123	C140
DF-HC-12-2-39-E	12	3	11.59	2,384	4,769	39.44	151	C140
DF-HC-12-3-33-E	12	3	9.78	2,827	5,653	33.27	179	C140
DF-HC-12-3-29-E	12	3	8.45	3,269	6,537	28.77	207	C145
DF-HC-12-4-24-E	12	3	7.0	3,932	7,864	23.92	249	C160
DF-HC-12-5-20-E	12	3	5.7	4,816	9,632	19.53	305	D160
DF-HC-12-3-58-E	12	5	17.2	2,684	5,369	58.39	102	C140
DF-HC-12-3-53-E	12	5	15.6	2,948	5,895	53.18	112	C140
DF-HC-12-3-48-E	12	5	14.2	3,237	6,474	48.42	123	C140
DF-HC-12-4-39-E	12	5	11.6	3,974	7,948	39.44	151	C145
DF-HC-12-5-33-E	12	5	9.8	4,711	9,422	33.27	179	D160
DF-HC-12-5-29-E	12	5	8.5	5,448	10,896	28.77	207	D165
DF-HC-12-7-24-E	12	5	7.0	6,553	13,106	23.92	249	D165
DF-HC-12-8-20-E	12	5	5.7	8,027	16,054	19.53	305	D180
DF-HC-12-4-58-E	12	7.5	17.2	4,027	8,053	58.39	102	C160
DF-HC-12-6-39-E	12	7.5	11.6	5,961	11,922	39.44	151	D160
DF-HC-12-7-33-E	12	7.5	9.8	7,066	14,133	33.27	179	D170
DF-HC-12-8-29-E	12	7.5	8.5	8,172	16,343	28.77	207	D180
DF-HC-12-5-58-E	12	10	17.2	5,369	10,738	58.39	102	D160
DF-HC-12-6-53-E	12	10	15.6	5,895	11,790	53.18	112	D165
DF-HC-12-6-48-E	12	10	14.2	6,474	12,948	48.42	123	D165
DF-HC-12-8-39-E	12	10	11.6	7,948	15,896	39.44	151	D180
DF-HC-12-8-58-E	12	15	17.2	8,053	16,106	58.39	102	D180
DF-HC-12-9-53-E	12	15	15.6	8,843	17,686	53.18	112	D180
DF-HC-15-2-60-E	15	3	14.23	1,578	3,156	59.60	123	C140
DF-HC-15-2-49-E	15	3	11.59	1,937	3,875	48.55	151	C140
DF-HC-15-2-41-E	15	3	9.78	2,297	4,593	40.95	179	C140
DF-HC-15-3-35-E	15	3	8.45	2,656	5,312	35.41	207	C145
DF-HC-15-3-29-E	15	3	7.0	3,195	6,389	29.44	249	C160
DF-HC-15-4-24-E	15	3	5.7	3,913	7,826	24.03	305	D160
DF-HC-15-3-60-E	15	5	14.2	2,630	5,260	59.60	123	C140
DF-HC-15-3-49-E	15	5	11.6	3,229	6,458	48.55	151	C145
DF-HC-15-4-41-E	15	5	9.8	3,828	7,655	40.95	179	D160
DF-HC-15-4-35-E	15	5	8.5	4,426	8,853	35.41	207	D165
DF-HC-15-5-29-E	15	5	7.0	5,324	10,649	29.44	249	D165
DF-HC-15-7-24-E	15	5	5.7	6,522	13,044	24.03	305	D180
DF-HC-15-5-49-E	15	7.5	11.6	4,843	9,687	48.55	151	D165
DF-HC-15-6-41-E	15	7.5	9.8	5,741	11,483	40.95	179	D170

 - INDICATES STANDARD MODEL



NABRICO

nabrico-marine.com

615.442.1300

The specifications and details described by drawings or text in this literature are subject to change without notice.

MODEL	HEAD DIAMETER (IN)	MOTOR SIZE (HP)	GEAR-BOX RPM	RUNNING LINE PULL (LBS)	STARTING LINE PULL (LBS)	RUNNING LINE SPEED (FPM)	RATIO	BOX SIZE
DF-HC-15-7-35-E	15	7.5	8.5	6,639	13,279	35.41	207	D180
DF-HC-15-8-29-E	15	7.5	7.0	7,987	15,973	29.44	249	E180
DF-HC-15-10-24-E	15	7.5	5.7	9,783	19,566	24.03	305	F185
DF-HC-15-4-72-E	15	10	17.2	4,362	8,724	71.87	102	D160
DF-HC-15-5-65-E	15	10	15.6	4,790	9,580	65.45	112	D165
DF-HC-15-5-60-E	15	10	14.2	5,260	10,521	59.60	123	D165
DF-HC-15-6-49-E	15	10	11.6	6,458	12,915	48.55	151	D180
DF-HC-15-8-41-E	15	10	9.8	7,655	15,310	40.95	179	E175
DF-HC-15-9-35-E	15	10	8.5	8,853	17,705	35.41	207	E185
DF-HC-15-11-29-E	15	10	7.0	10,649	21,298	29.44	249	F190
DF-HC-15-13-24-E	15	10	5.7	13,044	26,087	24.03	305	F190
DF-HC-15-8-60-E	15	15	14.2	7,890	15,781	59.60	123	E180
DF-HC-15-10-49-E	15	15	11.6	9,687	19,373	48.55	151	F185
DF-HC-15-11-41-E	15	15	9.8	11,483	22,965	40.95	179	F190
DF-HC-15-13-35-E	15	15	8.5	13,279	26,558	35.41	207	F195
DF-HC-15-16-29-E	15	15	7.0	15,973	31,946	29.44	249	F195
DF-HC-15-11-60-E	15	20	14.2	10,521	21,041	59.60	123	F185
DF-HC-15-13-49-E	15	20	11.6	12,915	25,831	48.55	151	F195
DF-HC-15-15-41-E	15	20	9.8	15,310	30,621	40.95	179	F195
DF-HC-18-7-35-E	18	7.5	7.0	6,726	13,451	34.96	249	E180
DF-HC-18-8-29-E	18	7.5	5.7	8,238	16,476	28.54	305	F185
DF-HC-18-6-49-E	18	10	9.8	6,446	12,893	48.63	179	E175
DF-HC-18-7-42-E	18	10	8.5	7,455	14,910	42.05	207	E185
DF-HC-18-9-35-E	18	10	7.0	8,967	17,935	34.96	249	F190
DF-HC-18-11-29-E	18	10	5.7	10,984	21,968	28.54	305	F190
DF-HC-18-8-58-E	18	15	11.6	8,157	16,314	57.65	151	F185
DF-HC-18-10-49-E	18	15	9.8	9,670	19,339	48.63	179	F190
DF-HC-18-11-42-E	18	15	8.5	11,182	22,365	42.05	207	F195
DF-HC-18-13-35-E	18	15	7.0	13,451	26,902	34.96	249	F195
DF-HC-18-11-58-E	18	20	11.6	10,876	21,752	57.65	151	F195
DF-HC-18-13-49-E	18	20	9.8	12,893	25,786	48.63	179	F195

- INDICATES STANDARD MODEL

CAPSTAN WINCH

CAPSTANS



DF-FC CAPSTAN WINCH FEATURES & SPECIFICATIONS

- High strength ductile iron gear case.
- Simple, durable, space saving design.
- For use in the harshest working conditions.
- For use in marine, rail and other material movement applications.
- Electric or hydraulic designs.
- Available with or without rope guard in picture above.
- Cyclo or planetary input provides a high overload capacity and exceptional reliability.
- 4 Bolt mounting structure.

MODEL No.	PART No.	SIZE	LINE PULL (RUNNING)	LINE PULL (STARTING)	LINE SPEED	MOTOR POWER	BOLLARD CAPACITY
DF-FC-9-2.8-58-E	197602	C9	2,800 LBS	5,600 LBS	58 FT/MIN	5.0 HP	7,000 LBS

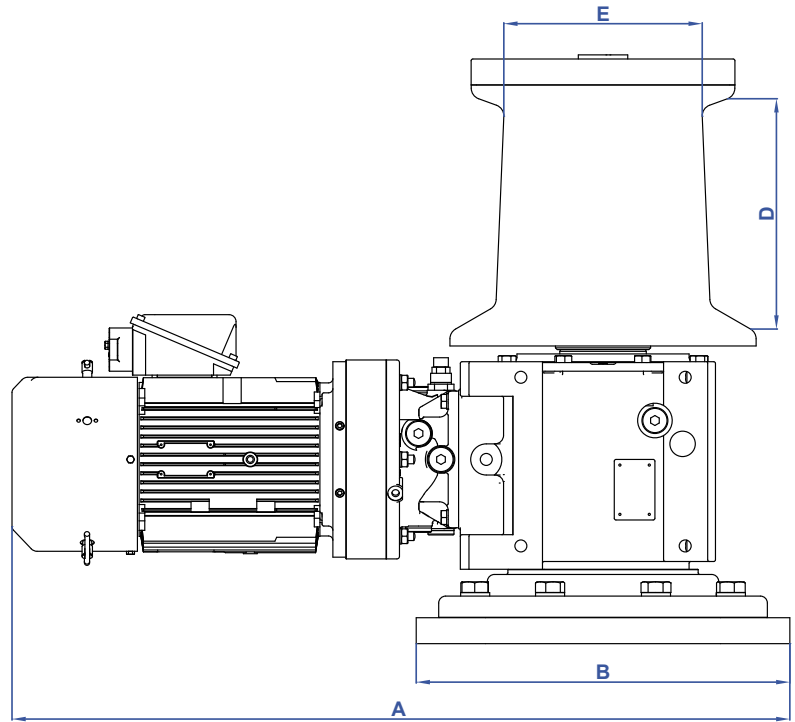
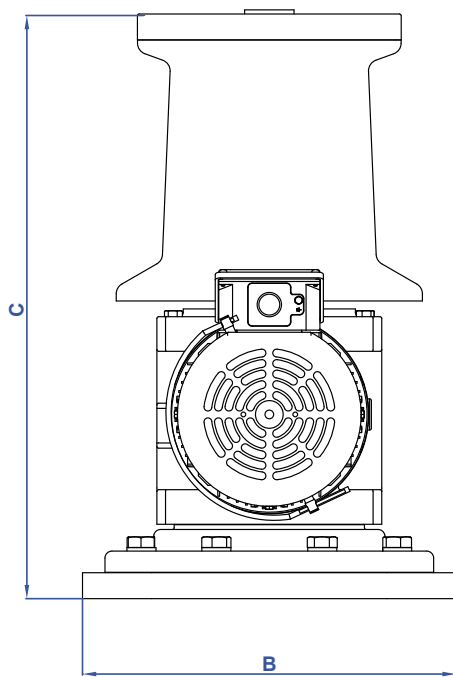
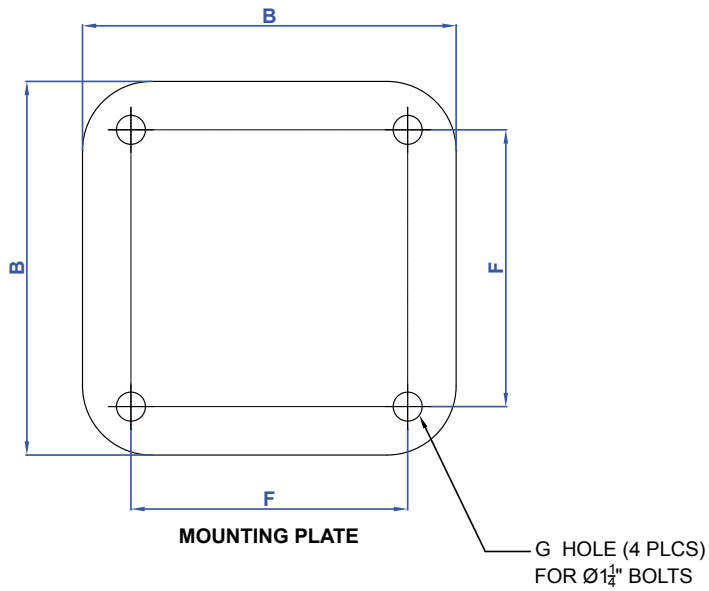


nabrico-marine.com

615.442.1300

The specifications and details described by drawings or text in this literature are subject to change without notice.

CAPSTAN WINCH



CAPSTANS

MODEL No.	PART No.	A	B	C	D	E	F	WT. (lbs.)
DF-FC-9-2.8-58-E	197602	35-7/16"	17"	26-1/4"	10-1/2"	9"	12-5/8"	731

ELECTRIC / HYDRAULIC CAPSTANS

CAPSTANS



SPECIFY THE FOLLOWING INFORMATION TO DETERMINE THE SIZE AND SPEED OF YOUR CAPSTANS:

HEAD SIZE _____
No. OF SPEEDS _____
LINE PULL _____
LINE SPEED _____
DRIVE _____

MODEL SHOWN

MODEL DF-C-18-5-30-H
HEAD SIZE 18 INCH
No. OF SPEEDS ONE
LINE PULL 5,000 Lbs.
LINE SPEED 30 FPM
DRIVE HYDRAULIC

- VERTICAL THRU-DECK OR ABOVE DECK MODELS.
- FABRICATED STEEL CONSTRUCTION.
- POLISHED STEEL CAPSTAN HEAD.
- HEAD SIZES AVAILABLE TO 36" DIAMETER.
- SINGLE OR VARIABLE SPEEDS AVAILABLE.
- LINE PULL UP TO 100,000 Lbs.
- STATIC OR BOLLARD PULL UP 300,000 Lbs.
- THREE COAT ZINC AND EPOXY PAINT SYSTEM.
- PLANETARY OR WORM AND SPUR GEARING.
- AVAILABLE WITH AN ELECTRIC OR HYDRAULIC DRIVE.



NABRICO

nabrico-marine.com

615.442.1300

The specifications and details described by drawings or text in this literature are subject to change without notice.

DOORS

NABRICO doors are made from a zinc primed mild steel and are offered in several styles including 4 dog, 6 dog, quick acting and lever arm. Any of our doors can be customized to fit your needs. Some options include aluminum or stainless steel construction, varied custom sizing or different portlight options. Our standard listing of steel dogged doors are ABS Type Approved and typically in stock for a fast turnaround. Every door NABRICO makes is built to meet ABS standards and can be ABS Type Approved as well.

DOORS

4 DOG	92
6 DOG	93
6 DOG W/ PORTLIGHT	94
QUICK ACTING	95
4 DOG LEVER ARM	96
6 DOG LEVER ARM	97

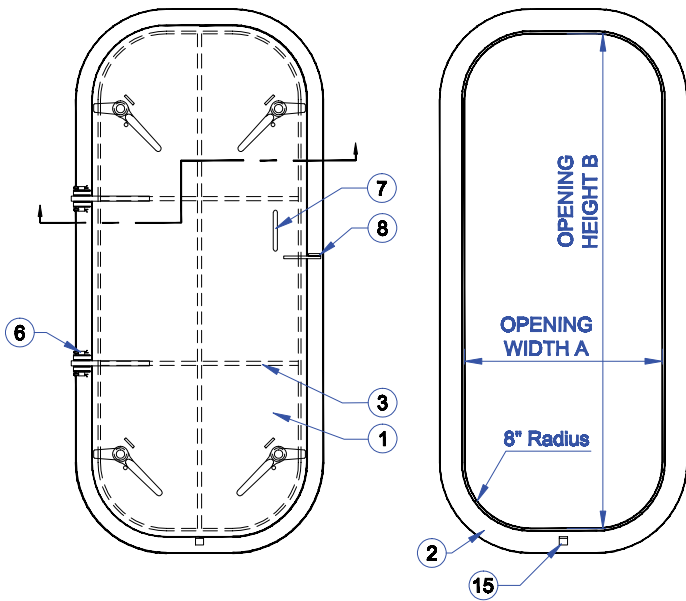
PORT LIGHTS

MODEL 400 FIXED LIGHT	98
MODEL 500 FIXED LIGHT	99
MODEL 600 FIXED LIGHT	100
MODEL 700 PORTLIGHT	101
MODEL 800 PORTLIGHT	102
MODEL 900 FIXED LIGHT	103



ORIENTATION

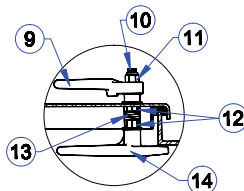
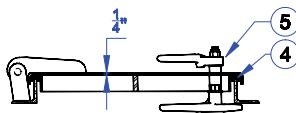
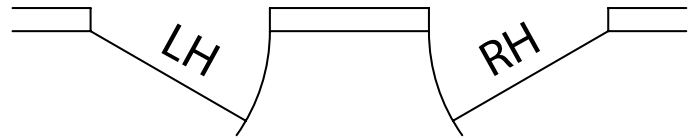
4 DOG WEATHERTIGHT DOOR



THE DOOR SHOWN IN THE DRAWING IS CONSIDERED A LEFT HAND DOOR WITH THE HINGE AREA POSITIONED ON THE LEFT SIDE.

A RIGHT HAND DOOR WOULD BE THE OPPOSITE WITH THE HINGE AREA POSITIONED ON THE RIGHT SIDE.

A STANDARD DOOR HAS A 3/8" FRAME AND 1/4" PANEL. MOST DOORS ARE AVAILABLE AS BW (BLUE WATER), WHICH HAS A 3/8" FRAME AND 5/16" PANEL.



DETAIL OF DOG HANDLE AREA

DOORS

No.	DESCRIPTION	MATERIAL
1	DOOR PANEL ASSEMBLY	STEEL
2	COAMING ASSEMBLY	STEEL
3	STIFFENER BAR	STEEL
4	DOOR GASKET	NEOPRENE
5	DOGGING HANDLE ASSEMBLY	STEEL
6	HINGE PIN ASSEMBLY	STAINLESS
7	GRAB HANDLE	STEEL
8	LOCKING HASP	STEEL
9	STRAIGHT HANDLE	STEEL
10	HANDLE SHAFT	STEEL
11	JAM NUT	STEEL
12	BUSHING	NYLON
13	PACKING	GRAPHITE
14	DOGGING HANDLE	STEEL
15	DOOR CENTERING LUG	STEEL

LEFT HAND 4 DOG DOOR SPECIFICATION TABLE								
MODEL No.	PART No.	SIZE	A	B	CUT-OUT DIMS.			WGT LBS.
					A	B	RAD.	
DF-605-2460	100875	24x60	24"	60"	27"	63"	9.5"	290
DF-605-2464	100980	24x64	24"	64"	27"	67"	9.5"	310
DF-605-2472	100877	24x72	24"	72"	27"	75"	9.5"	330
DF-605-2660	100185	26x60	26"	60"	29"	63"	9.5"	320
DF-605-2866	100851	28x66	28"	66"	31"	69"	9.5"	350
DF-605-2872	100977	28x72	28"	72"	31"	75"	9.5"	385
DF-605-3054	100856	30x54	30"	54"	33"	57"	9.5"	310
DF-605-3060	100193	30x60	30"	60"	33"	63"	9.5"	350
DF-605-3072	100990	30x72	30"	72"	33"	75"	9.5"	400
DF-605-3666	100862	36x66	36"	66"	39"	69"	9.5"	410
DF-605-3672	100868	36x72	36"	72"	39"	75"	9.5"	450

RIGHT HAND 4 DOG DOOR SPECIFICATION TABLE								
MODEL No.	PART No.	SIZE	A	B	CUT-OUT DIMS.			WGT LBS.
					A	B	RAD.	
DF-605-2460	100182	24x60	24"	60"	27"	63"	9.5"	290
DF-605-2464	100981	24x64	24"	64"	27"	67"	9.5"	310
DF-605-2472	100878	24x72	24"	72"	27"	75"	9.5"	330
DF-605-2660	100186	26x60	26"	60"	29"	63"	9.5"	320
DF-605-2866	100852	28x66	28"	66"	31"	69"	9.5"	350
DF-605-2872	100978	28x72	28"	72"	31"	75"	9.5"	385
DF-605-3054	100857	30x54	30"	54"	33"	57"	9.5"	310
DF-605-3060	100194	30x60	30"	60"	33"	63"	9.5"	350
DF-605-3072	100991	30x72	30"	72"	33"	75"	9.5"	400
DF-605-3666	100863	36x66	36"	66"	39"	69"	9.5"	410
DF-605-3672	100869	36x72	36"	72"	39"	75"	9.5"	450



nabrico-marine.com

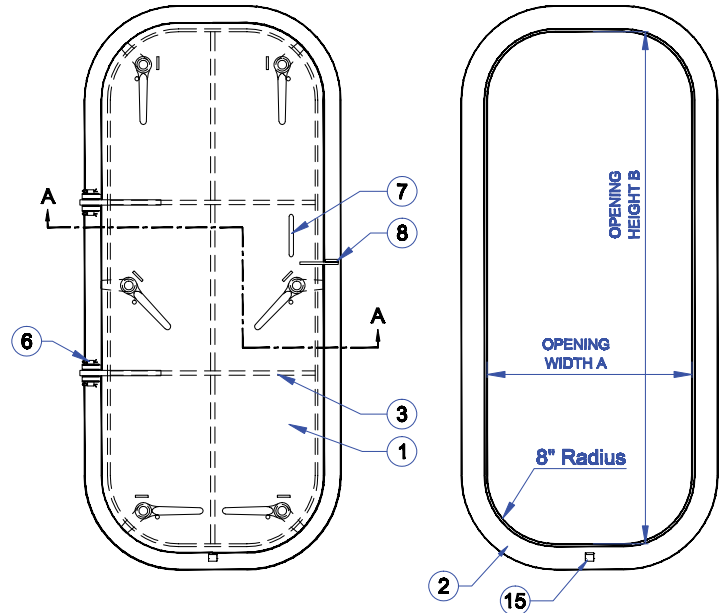
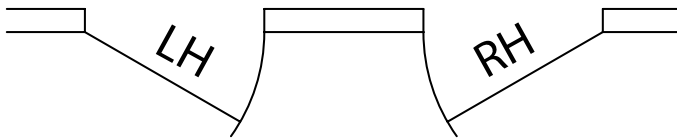
615.442.1300

The specifications and details described by drawings or text in this literature are subject to change without notice.

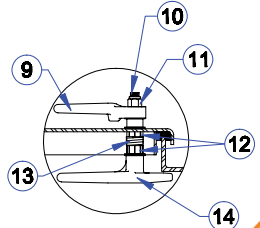
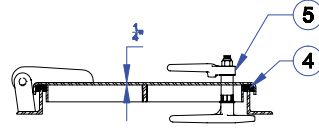
6 DOG WEATHERTIGHT DOOR

THE DOOR SHOWN IN THE DRAWING IS CONSIDERED A LEFT HAND DOOR WITH THE HINGE AREA POSITIONED ON THE LEFT SIDE.

A RIGHT HAND DOOR WOULD BE THE OPPOSITE WITH THE HINGE AREA POSITIONED ON THE RIGHT SIDE.



LEFT HAND 6 DOG DOOR SPECIFICATION TABLE								
MODEL No.	PART No.	SIZE	A	B	CUT-OUT DIMS.			WGT LBS.
					A	B	RAD	
DF-600-2454	100114	24x54	24"	54"	27"	57"	9.5"	297
DF-600-2460	100116	24x60	24"	60"	27"	63"	9.5"	317
DF-600-2472	100120	24x72	24"	72"	27"	75"	9.5"	336
DF-600-2866	100127	28x66	28"	66"	31"	69"	9.5"	360
DF-600-2872	100131	28x72	28"	72"	31"	75"	9.5"	392
DF-600-3054	100134	30x54	30"	54"	33"	57"	9.5"	315
DF-600-3060	100138	30x60	30"	60"	33"	63"	9.5"	360
DF-600-3066	100197	30x66	30"	66"	33"	69"	9.5"	370
DF-600-3072	100143	30x72	30"	72"	33"	75"	9.5"	410
DF-600-3666	100148	36x66	36"	66"	39"	69"	9.5"	420
DF-600-3672	100152	36x72	36"	72"	39"	75"	9.5"	460



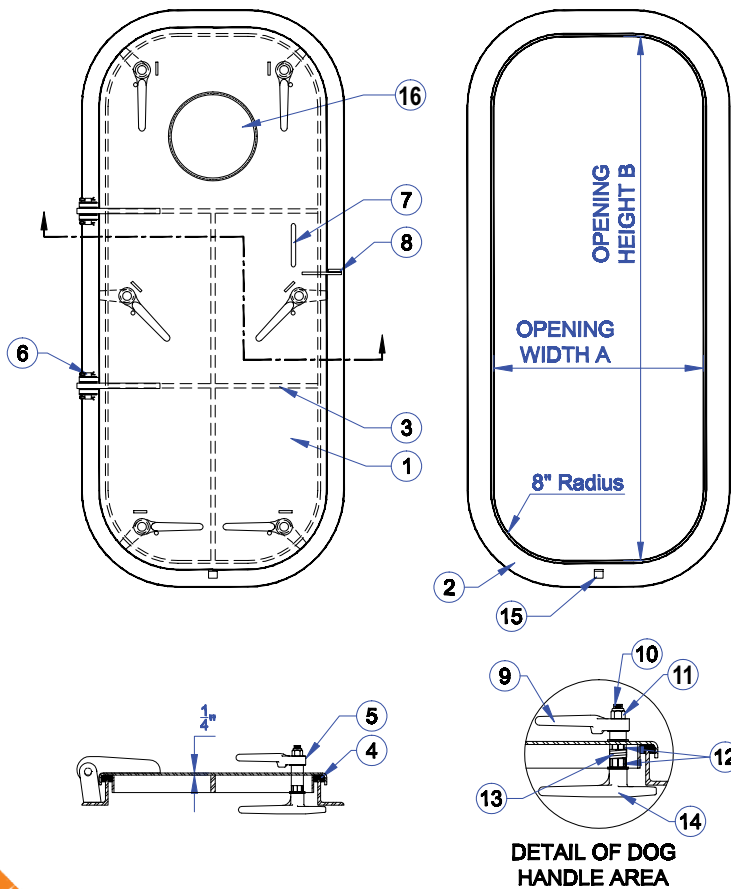
DETAIL OF DOG HANDLE AREA

RIGHT HAND 6 DOG DOOR SPECIFICATION TABLE								
MODEL No.	PART No.	SIZE	A	B	CUT-OUT DIMS.			WGT LBS.
					A	B	RAD	
DF-600-2454	100115	24x54	24"	54"	27"	57"	9.5"	297
DF-600-2460	100117	24x60	24"	60"	27"	63"	9.5"	317
DF-600-2472	100121	24x72	24"	72"	27"	75"	9.5"	336
DF-600-2866	100128	28x66	28"	66"	31"	69"	9.5"	360
DF-600-2872	100132	28x72	28"	72"	31"	75"	9.5"	392
DF-600-3054	100135	30x54	30"	54"	33"	57"	9.5"	315
DF-600-3060	100139	30x60	30"	60"	33"	63"	9.5"	360
DF-600-3066	100142	30x66	30"	66"	33"	69"	9.5"	370
DF-600-3072	100144	30x72	30"	72"	33"	75"	9.5"	410
DF-600-3666	100149	36x66	36"	66"	39"	69"	9.5"	420
DF-600-3672	100153	36x72	36"	72"	39"	75"	9.5"	460

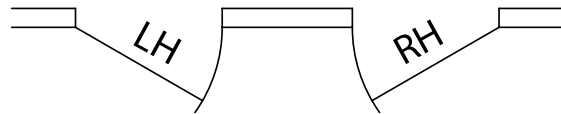
No.	DESCRIPTION	MATERIAL
1	DOOR PANEL ASSEMBLY	STEEL
2	COAMING ASSEMBLY	STEEL
3	STIFFENER BAR	STEEL
4	DOOR GASKET	NEOPRENE
5	DOGGING HANDLE ASSEMBLY	STEEL
6	HINGE PIN ASSEMBLY	STAINLESS
7	GRAB HANDLE	STEEL
8	LOCKING HASP	STEEL
9	STRAIGHT HANDLE	STEEL
10	HANDLE SHAFT	STEEL
11	JAM NUT	STEEL
12	BUSHING	NYLON
13	PACKING	GRAPHITE
14	DOGGING HANDLE	STEEL
15	DOOR CENTERING LUG	STEEL

DOORS

DOOR WITH FIXED PORTLIGHT



No.	DESCRIPTION	MATERIAL
1	DOOR PANEL ASSEMBLY	STEEL
2	COAMING ASSEMBLY	STEEL
3	STIFFENER BAR	STEEL
4	DOOR GASKET	NEOPRENE
5	DOGGING HANDLE ASSEMBLY	STEEL
6	HINGE PIN ASSEMBLY	STAINLESS
7	GRAB HANDLE	STEEL
8	LOCKING HASP	STEEL
9	STRAIGHT HANDLE	STEEL
10	HANDLE SHAFT	STEEL
11	JAM NUT	STEEL
12	BUSHING	NYLON
13	PACKING	GRAPHITE
14	DOGGING HANDLE	STEEL
15	DOOR CENTERING LUG	STEEL
16	10" FIXED PORTLIGHT	STEEL



DOORS

THE DOOR SHOWN IN THE DRAWING IS CONSIDERED A LEFT HAND DOOR WITH THE HINGE AREA POSITIONED ON THE LEFT SIDE. A RIGHT HAND DOOR WOULD BE THE OPPOSITE WITH THE HINGE AREA POSITIONED ON THE RIGHT SIDE.

RIGHT HAND 6 DOG DOOR SPECIFICATION TABLE								
MODEL No.	PART No.	SIZE	A	B	CUT-OUT DIMS.			WGT LBS.
					A	B	RAD	
DF-600-3054	100191	30x54	30"	54"	33"	57"	9.5"	330
DF-600-3060	100196	30x60	30"	60"	33"	63"	9.5"	380

LEFT HAND 6 DOG DOOR SPECIFICATION TABLE								
MODEL No.	PART No.	SIZE	A	B	CUT-OUT DIMS.			WGT LBS.
					A	B	RAD	
DF-600-3054	100190	30x54	30"	54"	33"	57"	9.5"	330
DF-600-3060	100195	30x60	30"	60"	33"	63"	9.5"	380

ALL NABRICO DOOR STYLES ARE AVAILABLE WITH A VARIETY OF DIFFERENT TYPES AND SIZES OF PORTLIGHTS. A FEW OF THE MOST COMMON TYPES ARE LISTED IN THE TABLES BELOW BUT ARE IN NO WAY RESTRICTED TO WHAT IS CALLED OUT ON THIS PAGE. SOME OF THE AVAILABLE OPTIONS INCLUDE: WELD-IN OR BOLT-ON, FIXED OR NON-FIXED AND WITH COVERS. PLEASE REFER TO THE PORTLIGHT SECTION OF THIS CATALOG FOR ALL TYPES AND SIZES AVAILABLE FROM NABRICO.



NABRICO

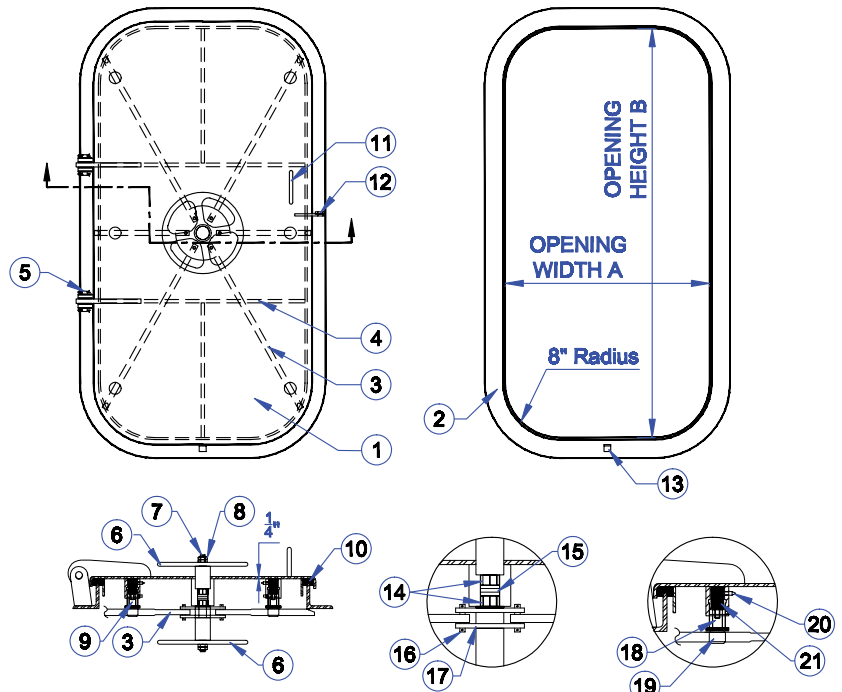
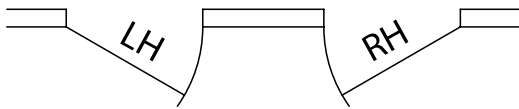
nabrico-marine.com

615.442.1300

The specifications and details described by drawings or text in this literature are subject to change without notice.

QUICK ACTING WEATHERTIGHT DOOR

THE DOOR SHOWN IN THE DRAWING IS CONSIDERED A LEFT HAND DOOR WITH THE HINGE AREA POSITIONED ON THE LEFT SIDE. A RIGHT HAND DOOR WOULD BE THE OPPOSITE WITH THE HINGE AREA POSITIONED ON THE RIGHT SIDE.



DETAIL OF DOG ARM HINGE AREA

DETAIL OF SWIVEL GUIDE AREA

LEFT HAND QUICK ACTING DOOR SPECIFICATION TABLE

MODEL No.	PART No.	SIZE	A	B	CUT-OUT DIMS.			WGT LBS.
					A	B	RAD	
DF-610-2460	100118	24x60	24"	60"	27"	63"	9.5"	437
DF-610-2472	100122	24x72	24"	72"	27"	75"	9.5"	451
DF-610-2866	100129	28x66	28"	66"	31"	69"	9.5"	448
DF-610-2872	100133	28x72	28"	72"	31"	75"	9.5"	526
DF-610-3054	100192	30x54	30"	54"	33"	57"	9.5"	433
DF-610-3060	100140	30x60	30"	60"	33"	63"	9.5"	480
DF-610-3072	100198	30x72	30"	72"	33"	75"	9.5"	500
DF-610-3666	100150	36x66	36"	66"	39"	69"	9.5"	535
DF-610-3672	100154	36x72	36"	72"	39"	75"	9.5"	579

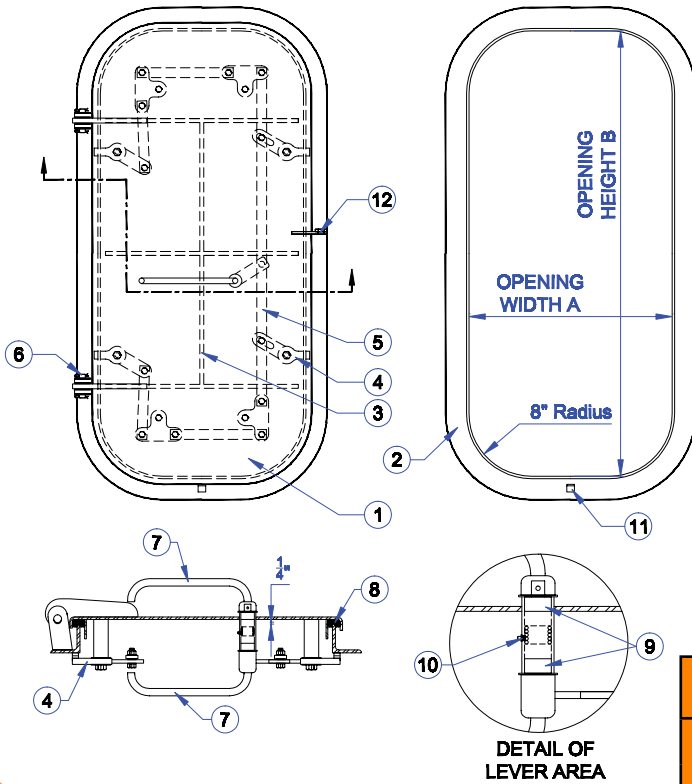
RIGHT HAND QUICK ACTING DOOR SPECIFICATION TABLE

MODEL No.	PART No.	SIZE	A	B	CUT-OUT DIMS.			WGT LBS.
					A	B	RAD	
DF-610-2460	100119	24x60	24"	60"	27"	63"	9.5"	437
DF-610-2472	100124	24x72	24"	72"	27"	75"	9.5"	451
DF-610-2866	100130	28x66	28"	66"	31"	69"	9.5"	448
DF-610-2872	100187	28x72	28"	72"	31"	75"	9.5"	526
DF-610-3054	100136	30x54	30"	54"	33"	57"	9.5"	433
DF-610-3060	100141	30x60	30"	60"	33"	63"	9.5"	480
DF-610-3072	100145	30x72	30"	72"	33"	75"	9.5"	500
DF-610-3666	100151	36x66	36"	66"	39"	69"	9.5"	535
DF-610-3672	100155	36x72	36"	72"	39"	75"	9.5"	579

No.	DESCRIPTION	MATERIAL
1	DOOR PANEL ASSEMBLY	STEEL
2	COAMING ASSEMBLY	STEEL
3	DOG ARM	STAINLESS
4	STIFFENER BAR	STEEL
5	HINGE PIN ASSEMBLY	STAINLESS
6	HANDWHEEL ASSEMBLY	STEEL
7	CENTER SHAFT	STAINLESS
8	JAM NUT	STAINLESS
9	SWIVEL GUIDE ASSEMBLY	-
10	DOOR GASKET	NEOPRENE
11	GRAB HANDLE	STEEL
12	LOCKING HASP	STEEL
13	DOOR CENTERING LUG	STEEL
14	BUSHING	NYLON
15	PACKING	GRAPHITE
16	DOG ARM PIN	STEEL
17	ROTATING BLOCK ASSEMBLY	STEEL
18	ADJUSTMENT BUTTON	STEEL
19	SWIVEL GUIDE	BRASS
20	GREASE FITTING	STAINLESS
21	SWIVEL GUIDE SPRING	STAINLESS

DOORS

SINGLE LEVER (4 DOG) WEATHERTIGHT



THE DOOR SHOWN IN THE DRAWING IS CONSIDERED A LEFT HAND DOOR WITH THE HINGE AREA POSITIONED ON THE LEFT SIDE.

A RIGHT HAND DOOR WOULD BE THE OPPOSITE WITH THE HINGE AREA POSITIONED ON THE RIGHT SIDE.



DOORS

LEFT HAND SINGLE LEVER (4 DOG) DOOR SPECIFICATION TABLE

MODEL No.	SIZE	A	B	CUT-OUT DIMS.			WGT LBS.
				A	B	RAD	
DF-635-2460	24x60	24"	60"	27"	63"	9.5"	432
DF-635-2472	24x72	24"	72"	27"	75"	9.5"	446
DF-635-2866	28x66	28"	66"	31"	69"	9.5"	443
DF-635-2872	28x72	28"	72"	31"	75"	9.5"	521
DF-635-3054	30x54	30"	54"	33"	57"	9.5"	428
DF-635-3060	30x60	30"	60"	33"	63"	9.5"	475
DF-635-3072	30x72	30"	72"	33"	75"	9.5"	495
DF-635-3666	36x66	36"	66"	39"	69"	9.5"	530
DF-635-3672	36x72	36"	72"	39"	75"	9.5"	574

RIGHT HAND SINGLE LEVER (4 DOG) DOOR SPECIFICATION TABLE

MODEL No.	SIZE	A	B	CUT-OUT DIMS.			WGT LBS.
				A	B	RAD	
DF-635-2460	24x60	24"	60"	27"	63"	9.5"	432
DF-635-2472	24x72	24"	72"	27"	75"	9.5"	446
DF-635-2866	28x66	28"	66"	31"	69"	9.5"	443
DF-635-2872	28x72	28"	72"	31"	75"	9.5"	521
DF-635-3054	30x54	30"	54"	33"	57"	9.5"	428
DF-635-3060	30x60	30"	60"	33"	63"	9.5"	475
DF-635-3072	30x72	30"	72"	33"	75"	9.5"	495
DF-635-3666	36x66	36"	66"	39"	69"	9.5"	530
DF-635-3672	36x72	36"	72"	39"	75"	9.5"	574

No.	DESCRIPTION	MATERIAL
1	DOOR PANEL ASSEMBLY	STEEL
2	COAMING ASSEMBLY	STEEL
3	STIFFENER BAR	STEEL
4	DOG LEVER ASSEMBLY	STAINLESS
5	DOG CONNECTOR BAR	STAINLESS
6	HINGE PIN ASSEMBLY	STAINLESS
7	HAND LEVER ASSEMBLY	STAINLESS
8	DOOR GASKET	NEOPRENE
9	BUSHING	NYLON
10	GREASE FITTING	STAINLESS
11	DOOR CENTERING LUG	STEEL
12	LOCKING HASP	STEEL



NABRICO

nabrico-marine.com

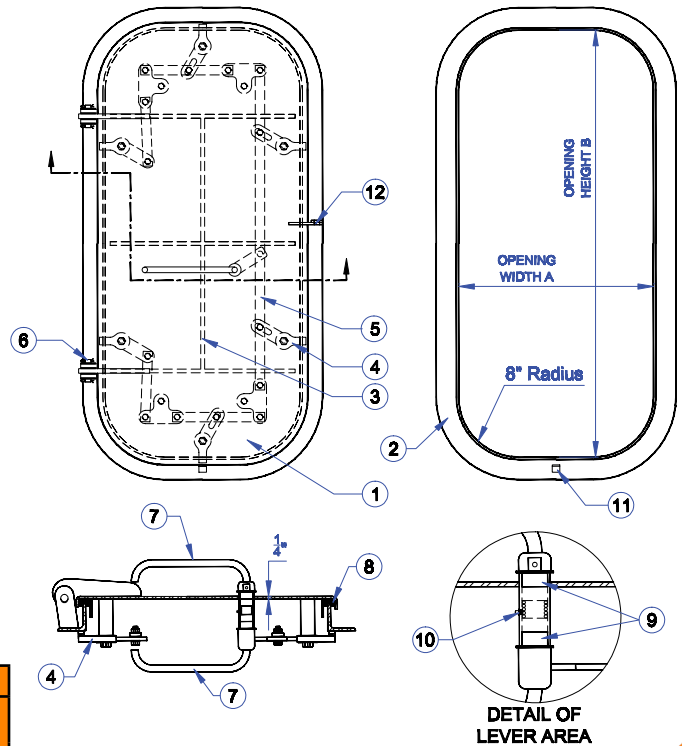
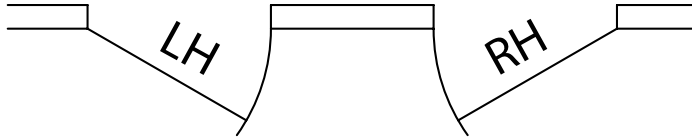
615.442.1300

The specifications and details described by drawings or text in this literature are subject to change without notice.

SINGLE LEVER (6 DOG) WEATHERTIGHT

THE DOOR SHOWN IN THE DRAWING IS CONSIDERED A LEFT HAND DOOR WITH THE HINGE AREA POSITIONED ON THE LEFT SIDE.

A RIGHT HAND DOOR WOULD BE THE OPPOSITE WITH THE HINGE AREA POSITIONED ON THE RIGHT SIDE.



LEFT HAND SINGLE LEVER (6 DOG) DOOR SPECIFICATION TABLE							
MODEL No.	SIZE	A	B	CUT-OUT DIMS.			WGT LBS.
				A	B	RAD	
DF-630-2460	24x60	24"	60"	27"	63"	9.5"	437
DF-630-2472	24x72	24"	72"	27"	75"	9.5"	451
DF-630-2866	28x66	28"	66"	31"	69"	9.5"	448
DF-630-2872	28x72	28"	72"	31"	75"	9.5"	526
DF-630-3054	30x54	30"	54"	33"	57"	9.5"	433
DF-630-3060	30x60	30"	60"	33"	63"	9.5"	480
DF-630-3072	30x72	30"	72"	33"	75"	9.5"	500
DF-630-3666	36x66	36"	66"	39"	69"	9.5"	535
DF-630-3672	36x72	36"	72"	39"	75"	9.5"	579

RIGHT HAND SINGLE LEVER (6 DOG) DOOR SPECIFICATION TABLE							
MODEL No.	SIZE	A	B	CUT-OUT DIMS.			WGT LBS.
				A	B	RAD	
DF-630-2460	24x60	24"	60"	27"	63"	9.5"	437
DF-630-2472	24x72	24"	72"	27"	75"	9.5"	451
DF-630-2866	28x66	28"	66"	31"	69"	9.5"	448
DF-630-2872	28x72	28"	72"	31"	75"	9.5"	526
DF-630-3054	30x54	30"	54"	33"	57"	9.5"	433
DF-630-3060	30x60	30"	60"	33"	63"	9.5"	480
DF-630-3072	30x72	30"	72"	33"	75"	9.5"	500
DF-630-3666	36x66	36"	66"	39"	69"	9.5"	535
DF-630-3672	36x72	36"	72"	39"	75"	9.5"	579

No.	DESCRIPTION	MATERIAL
1	DOOR PANEL ASSEMBLY	STEEL
2	COAMING ASSEMBLY	STEEL
3	STIFFENER BAR	STEEL
4	DOG LEVER ASSEMBLY	STAINLESS
5	DOG CONNECTOR BAR	STAINLESS
6	HINGE PIN ASSEMBLY	STAINLESS
7	HAND LEVER ASSEMBLY	STAINLESS
8	DOOR GASKET	NEOPRENE
9	BUSHING	NYLON
10	GREASE FITTING	STAINLESS
11	DOOR CENTERING LUG	STEEL
12	LOCKING HASP	STEEL

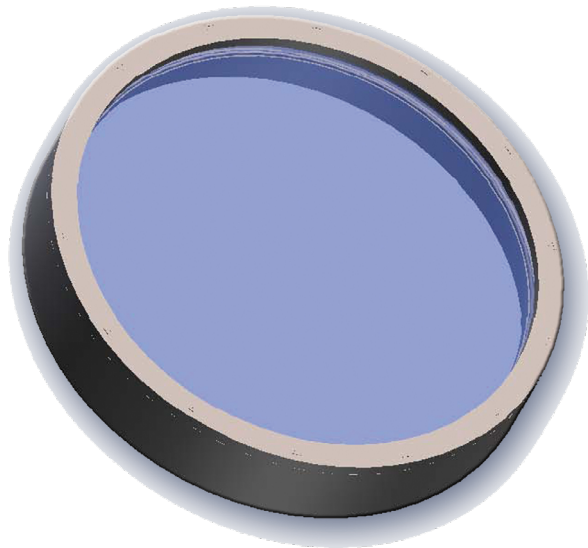
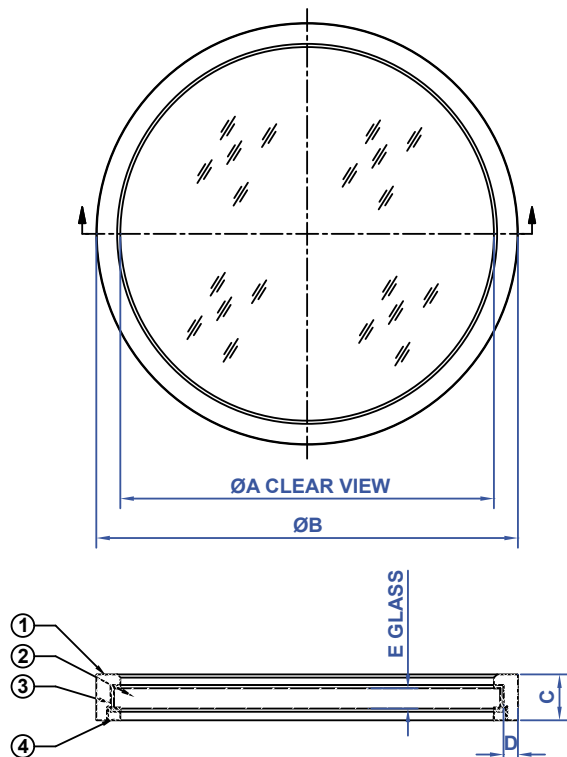
DOORS

MODEL 400 - WELD IN FIXED LIGHT

PIECE No.	DESCRIPTION	STEEL LIGHT	SS LIGHT	ALUMINUM LIGHT
1	FRAME	STEEL	STAINLESS	ALUMINUM
2	GLASS	TEMPERED SAFETY GLASS		
3	GASKET	NEOPRENE		
4	RETAINING RING	BRASS		

MODEL No.	SIZE	ØA	ØB (STEEL AND SS)	ØB (ALUM)	C (STEEL AND SS)	C (ALUM)	D (STEEL AND SS)	D (ALUM)	E
400	8"	7-7/8"	9-1/4"	9-3/8"	1-1/2"	1-45/64"	19/64"	23/64"	3/4"
400	10"	9-27/32"	11-7/32"	11-11/32"	1-1/2"	1-45/64"	19/64"	23/64"	3/4"
400	12"	11-13/16"	13-15/32"	13-19/32"	1-1/2"	1-45/64"	11/32"	25/64"	3/4"
400	14"	13-25/32"	15-7/16"	15-9/16"	1-1/2"	1-45/64"	11/32"	25/64"	3/4"
400	16"	15-3/4"	17-13/32"	17-17/32"	1-1/2"	1-45/64"	11/32"	25/64"	3/4"
400	18"	17-23/32"	19-3/8"	19-1/2"	1-1/2"	1-45/64"	11/32"	25/64"	3/4"

DOORS




NABRICO

nabrico-marine.com

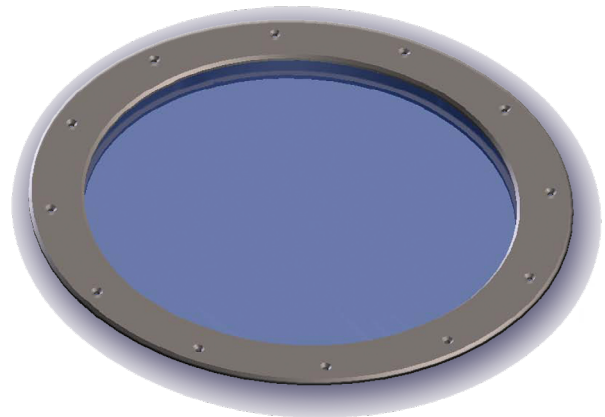
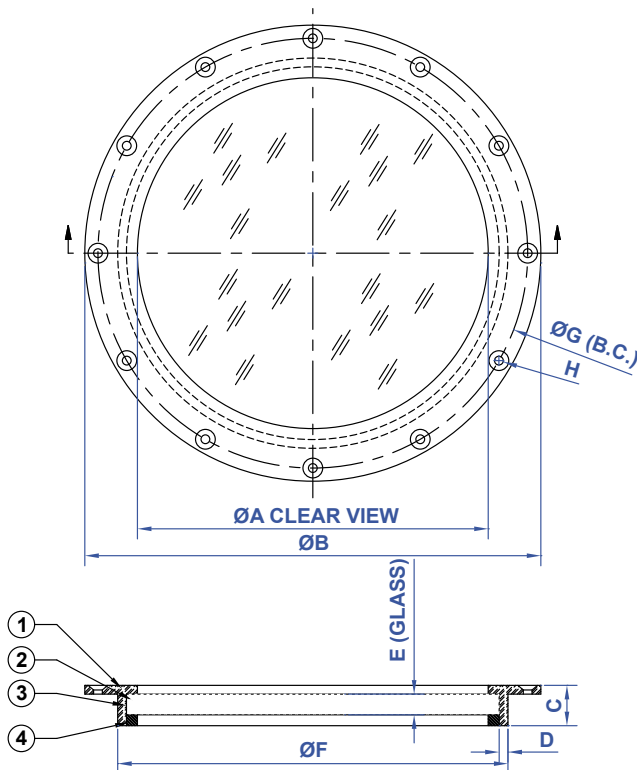
615.442.1300

The specifications and details described by drawings or text in this literature are subject to change without notice.

MODEL 500 - BOLT-ON FIXED LIGHT

PIECE No.	DESCRIPTION	STEEL LIGHT	SS LIGHT	ALUM LIGHT	BRASS LIGHT
1	FRAME	STEEL	STAINLESS	ALUMINUM	BRASS
2	GLASS	TEMPERED SAFETY GLASS			
3	GASKET	NEOPRENE			
4	RETAINING RING	BRASS			

MODEL No.	SIZE	ØA	ØB	C (STEEL, SS, BRASS)	C (ALUM)	D (STEEL, SS, BRASS)	D (ALUM)	E	ØF (STEEL, SS, BRASS)	ØF (ALUM)	ØG	H (HOLES & SIZE)
500	4"	3-15/16"	6-11/16"	1-9/16"	1-21/32"	15/64"	19/64"	3/4"	5-13/64"	5-21/64"	5-55/64"	6, 5/16"
500	6"	5-29/32"	8-1/2"	1-9/16"	1-21/32"	15/64"	19/64"	3/4"	7-5/32"	7-9/32"	7-33/64"	6, 5/16"
500	7"	7-5/64"	9-3/4"	1-9/16"	1-21/32"	15/64"	19/64"	3/4"	8-23/64"	8-15/32"	8-55/64"	6, 5/16"
500	8"	7-7/8"	11"	1-9/16"	1-21/32"	15/64"	19/64"	3/4"	9-1/8"	9-1/4"	10-3/8"	8, 5/16"
500	10"	9-27/32"	13-7/32"	1-9/16"	1-21/32"	15/64"	19/64"	3/4"	11-7/64"	11-7/32"	12-1/4"	8, 5/16"
500	12"	11-13/16"	15-15/64"	1-9/16"	1-21/32"	15/64"	19/64"	3/4"	13-17/64"	13-3/8"	14-1/4"	12, 5/16"
500	14"	13-25/32"	18-15/64"	1-9/16"	1-21/32"	15/64"	19/64"	3/4"	15-15/64"	15-23/64"	17"	12, 5/16"
500	16"	15-3/4"	20-5/8"	1-9/16"	1-21/32"	15/64"	19/64"	3/4"	17-13/64"	17-21/64"	18-7/8"	12, 3/8"
500	18"	17-23/32"	22-41/64"	1-9/16"	1-21/32"	15/64"	19/64"	3/4"	19-11/64"	19-19/64"	20-7/8"	16, 3/8"



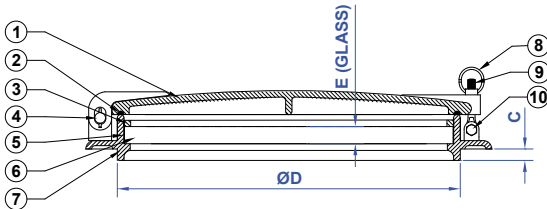
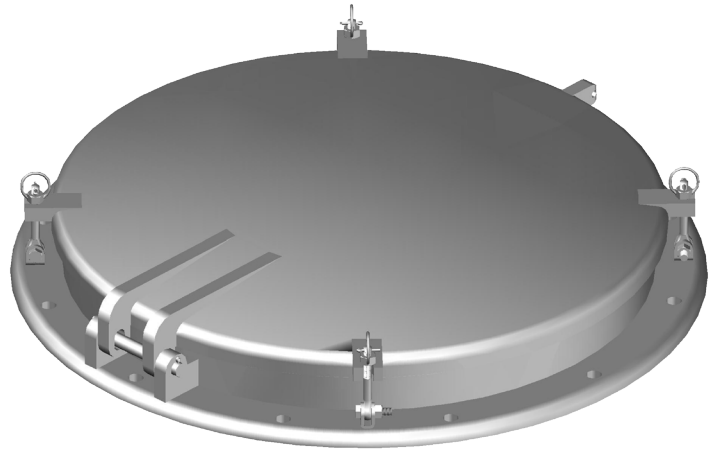
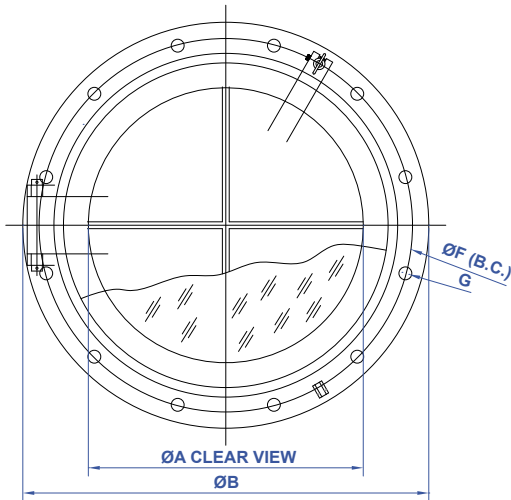
DOORS

MODEL 600 - BOLT-ON FIXED LIGHT W/ COVER

PIECE No.	DESCRIPTION	STEEL LIGHT	SS LIGHT	ALUMINUM LIGHT	BRASS LIGHT
1	COVER	SPECIFY			
2	COVER GASKET	NEOPRENE			
3	RETAINING RING	BRASS			
4	HINGE PIN	STAINLESS			
5	GLASS GASKET	NEOPRENE			
6	GLASS	TEMPERED SAFETY GLASS			
7	FRAME ASSEMBLY	STEEL	STAINLESS	ALUMINUM	BRASS
8	BELL NUT	BRASS, CHROME PL			
9	DROP BOLT	BRASS, CHROME PL			
10	DROP BOLT PIN	STAINLESS			

MODEL No.	SIZE	ØA	ØB	C	ØD	E	ØF	G (#HOLES & SIZE)
600	8"	7-7/8"	13-25/32"	1/2"	9-55/64"	3/4"	12-13/64"	8, 35/64"
600	10"	9-27/32"	15-3/4"	1/2"	12"	3/4"	14-21/64"	8, 35/64"
600	12"	11-13/16"	17-23/32"	1/2"	14-11/64"	3/4"	16-19/64"	12, 35/64"
600	14"	13-25/32"	19-11/16"	5/8"	16-9/64"	3/4"	18-17/64"	12, 45/64"
600	16"	15-3/4"	21-21/32"	5/8"	18-7/64"	3/4"	20-15/64"	12, 45/64"
600	18"	17-23/32"	23-5/8"	5/8"	20-1/16"	3/4"	22-13/64"	12, 55/64"

DOORS



NABRICO

nabrico-marine.com

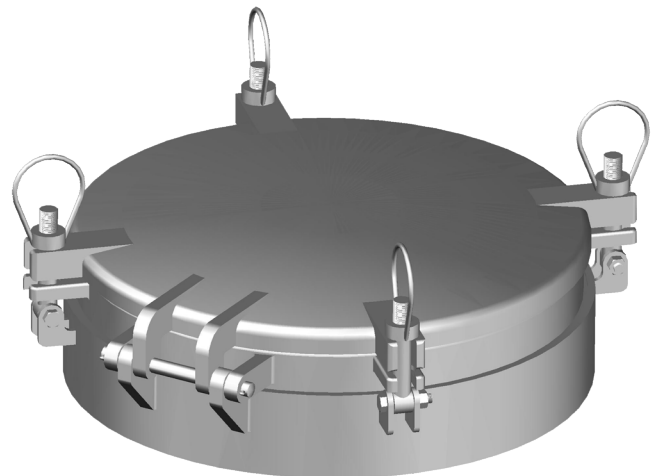
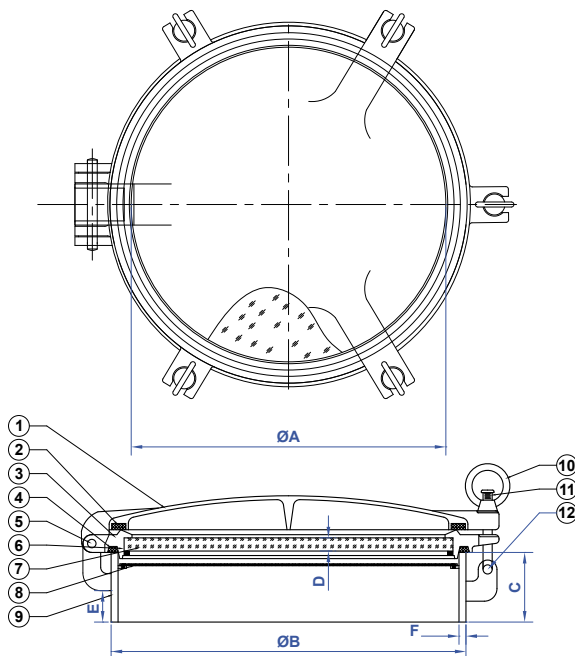
615.442.1300

The specifications and details described by drawings or text in this literature are subject to change without notice.

MODEL 700 - WELD IN PORTLIGHT

PIECE No.	DESCRIPTION	STEEL LIGHT	SS LIGHT	ALUMINUM LIGHT	BRASS LIGHT
1	COVER	ALUMINUM			
2	COVER GASKET	NEOPRENE			
3	GLASS FRAME ASSEMBLY	STEEL	STAINLESS	ALUMINUM	BRASS
4	GLASS FRAME GASKET	NEOPRENE			
5	HINGE PIN	STAINLESS			
6	GLASS GASKET	NEOPRENE			
7	VIEWING GLASS	TEMPERED SAFETY GLASS			
8	REMOVABLE SCREEN	BRASS			
9	COAMING ASSEMBLY	STEEL	STAINLESS	ALUMINUM	BRASS
10	BELL NUT	BRASS, CHROME PL			
11	DROP BOLT	BRASS, CHROME PL			
12	DROP BOLT PIN	STAINLESS			

MODEL No.	SIZE	ØA	ØB	C	D	E	F
700	8"	7-7/8"	9-27/32"	4"	3/4"	1-1/4"	25/64"
700	10"	9-27/32"	12"	4"	3/4"	1-1/4"	25/64"
700	12"	11-13/16"	14-11/64"	4"	3/4"	1-1/4"	25/64"
700	14"	13-25/32"	16-9/64"	4"	3/4"	1-1/4"	25/64"
700	16"	15-3/4"	18-7/64"	4"	3/4"	1-1/4"	25/64"
700	18"	17-23/32"	20"	4"	3/4"	1-1/4"	25/64"



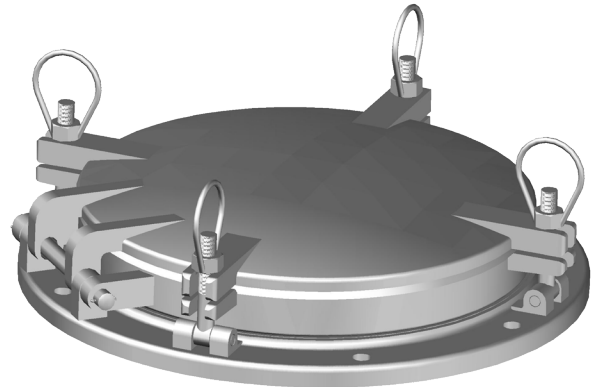
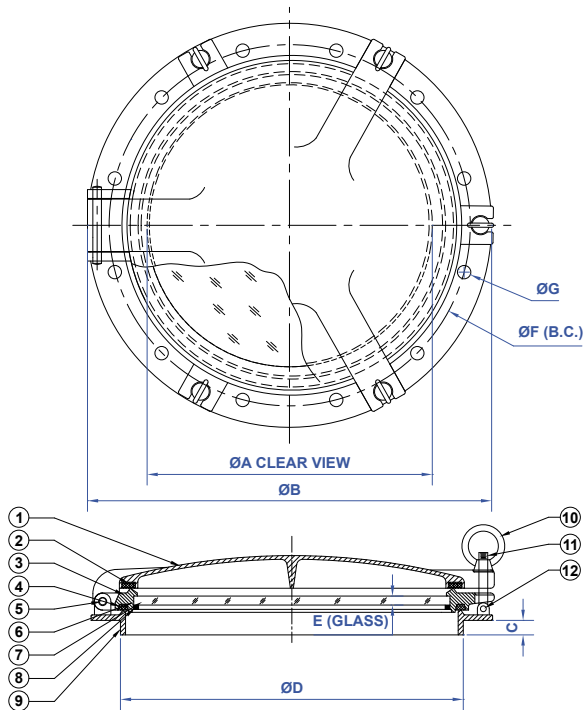
DOORS

MODEL 800 - BOLT-ON PORTLIGHT

PIECE No.	DESCRIPTION	STEEL LIGHT	SS LIGHT	ALUM LIGHT	BRASS LIGHT
1	COVER	SPECIFY			
2	COVER GASKET	NEOPRENE			
3	GLASS FRAME ASSEMBLY	STEEL	STAINLESS	ALUMINUM	BRASS
4	GLASS FRAME GASKET	NEOPRENE			
5	HINGE PIN	STAINLESS			
6	GLASS GASKET	NEOPRENE			
7	VIEWING GLASS	TEMPERED SAFETY GLASS			
8	RETAINING RING	BRASS			
9	COAMING ASSEMBLY	STEEL	STAINLESS	ALUMINUM	BRASS
10	BELL NUT	BRASS, CHROME PL			
11	DROP BOLT	BRASS, CHROME PL			
12	DROP BOLT PIN	STAINLESS			

MODEL No.	SIZE	ØA CLEAR VIEW	ØB	C	ØD	E	ØF (B.C.)	G (#HOLES & SIZE)
800	8"	7-7/8"	13-25/32"	1/2"	9-55/64"	3/4"	12-13/64"	8 HOLES, 35/64"
800	10"	9-27/32"	15-3/4"	1/2"	12"	3/4"	14-21/64"	8 HOLES, 35/64"
800	12"	11-13/16"	17-23/32"	1/2"	14-11/64"	3/4"	16-19/64"	12 HOLES, 35/64"
800	14"	13-25/32"	19-11/16"	5/8"	16-9/64"	3/4"	18-17/64"	12 HOLES, 45/64"
800	16"	15-3/4"	21-21/32"	5/8"	18-7/64"	3/4"	20-15/64"	12 HOLES, 45/64"
800	18"	17-23/32"	23-5/8"	5/8"	20-1/16"	3/4"	22-13/64"	12 HOLES, 55/64"

DOORS




NABRICO

nabrico-marine.com

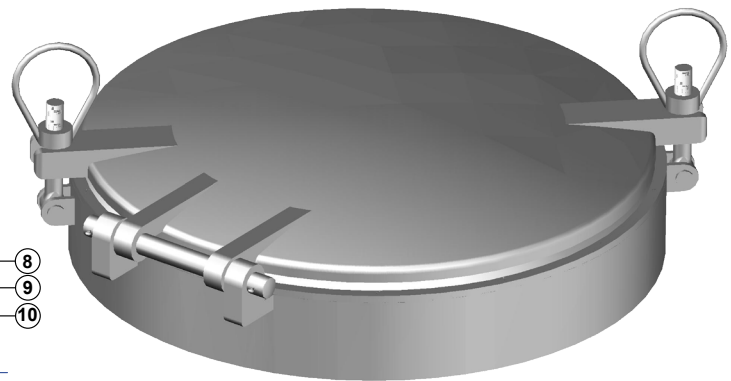
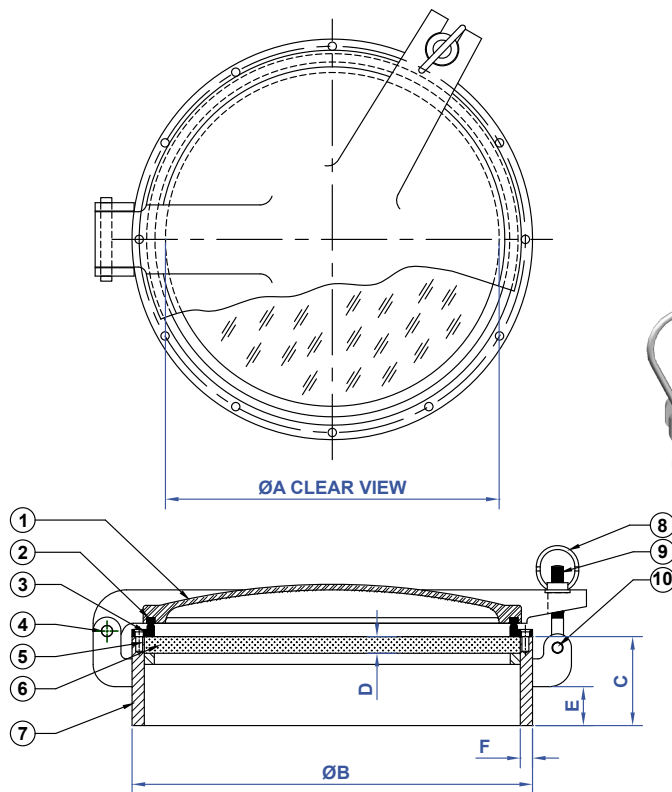
615.442.1300

The specifications and details described by drawings or text in this literature are subject to change without notice.

MODEL 900 - WELD – IN FIXED LIGHT W/ COVER

PIECE No.	DESCRIPTION	STEEL LIGHT	SS LIGHT	ALUMINUM LIGHT	BRASS LIGHT
1	COVER			SPECIFY	
2	COVER GASKET			NEOPRENE	
3	RETAINING RING			BRASS	
4	HINGE PIN			STAINLESS	
5	GLASS GASKET			NEOPRENE	
6	GLASS			TEMPERED SAFETY GLASS	
7	FRAME ASSEMBLY	STEEL	STAINLESS	ALUMINUM	BRASS
8	BELL NUT			BRASS, CHROME PL	
9	DROP BOLT			BRASS, CHROME PL	
10	DROP BOLT PIN			STAINLESS	

MODEL No.	SIZE	ØA	ØB	C	D	E	F
900	8"	7-7/8"	9-27/32"	4"	3/4"	1-1/4"	25/64"
900	10"	9-27/32"	12"	4"	3/4"	1-1/4"	25/64"
900	12"	11-13/16"	14-11/64"	4"	3/4"	1-1/4"	25/64"
900	14"	13-25/32"	16-9/64"	4"	3/4"	1-1/4"	25/64"
900	16"	15-3/4"	18-7/64"	4"	3/4"	1-1/4"	25/64"
900	18"	17-23/32"	20"	4"	3/4"	1-1/4"	25/64"



DOORS

HATCHES

NABRICO puts over 100 years of experience into our hatches. NABRICO's familiarity with water transportation and NABRICO's engineering ingenuity has produced a vast array of hatch options. Whether your needs require a dogged, T-handle, single bolt, twist-lock, multi-bolt or multi-screw, NABRICO has you covered. NABRICO hatches are produced in a variety of sizes and coaming options. Contact NABRICO to tailor a hatch to your specific needs.



MULTI-BOLT

ROUND & OVAL HATCH	106
ROUND & OVAL 6 PSI	108
ROUND & OVAL RAISED STUD	110
ROUND & OVAL FLUSH	112
ROUND & OVAL FLUSH STUD	114
ROUND & OVAL FLUSH SCREW	117
SQUARE FLUSH SCREW	119
VALVE REMOVAL	120

FLUSH & RAISED WATERTIGHT

FLUSH WATERTIGHT	121
RAISED SINGLE BOLT	123

QUICK ACTING

ESCAPE/SCUTTLE	125
RAISED/FLUSH QUICK ACTING	127

TWIST LOCK

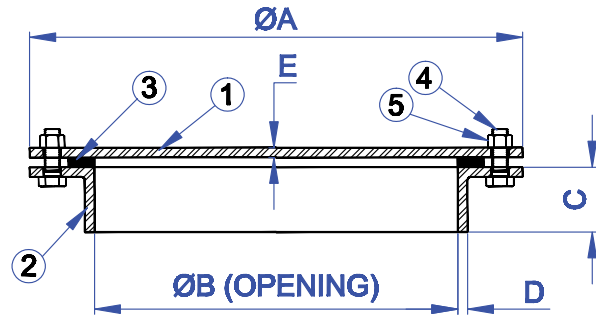
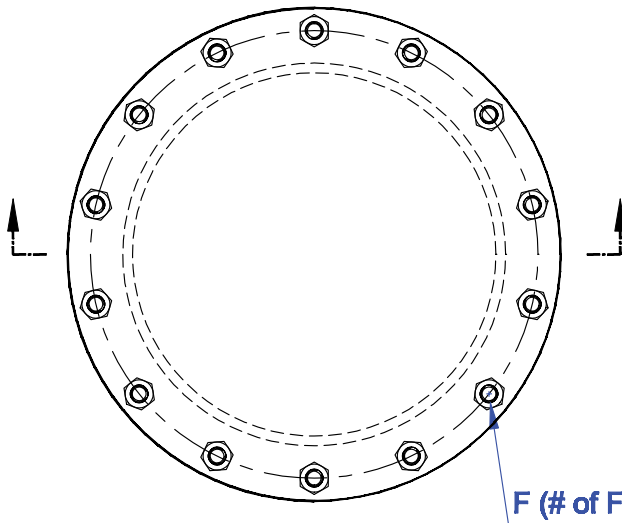
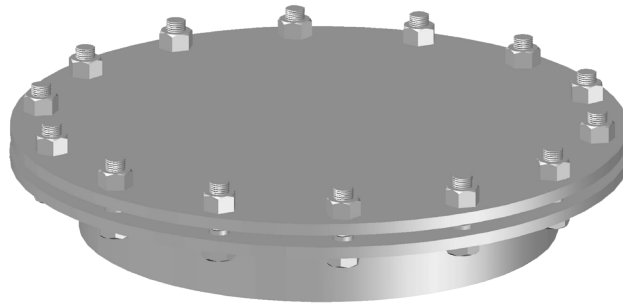
DF-474 TWIST LOCK	132
DF-474-5 TWIST LOCK	133

DOGGED

SINGLE DOG ULLAGE	135
3 DOG RAISED	137
SINGLE DOG ROUND	138
2 DOG OVAL	139
4 DOG ROUND/OVAL	141
6 DOG OVAL	143
6 DOG ROUND & OVAL 6 PSI	144
8 DOG SQUARE	146
2 BOLT OVAL	147

HATCHES

RAISED MULTI-BOLT CLEAN OUT HATCH



PIECE No.	DESCRIPTION	PART NUMBER		MATERIAL
		DF-154-14	DF-154-18	
1	COVER PLATE	76767	77216	STEEL
2	COAMING	76783	77232	STEEL
3	GASKET	76775	77224	NEOPRENE
4	HEX HEAD BOLT	14613		STEEL
5	HEX NUT	16179		BRASS

MODEL No.	PART No.	SIZE	ØA	ØB	C	D	E	F	WT. (lbs.)
DF-154-14	15407	14"	19"	14"	2-1/2"	3/8"	3/8"	12	60
DF-154-18	77240	18"	23"	18"	2-1/2"	3/8"	3/8"	16	78

1. ADDITIONAL COAMING HEIGHTS AVAILABLE.
2. OTHER BOLT, WASHER AND NUT COMBINATIONS AVAILABLE.
3. OTHER GASKET MATERIALS AVAILABLE.

HATCHES



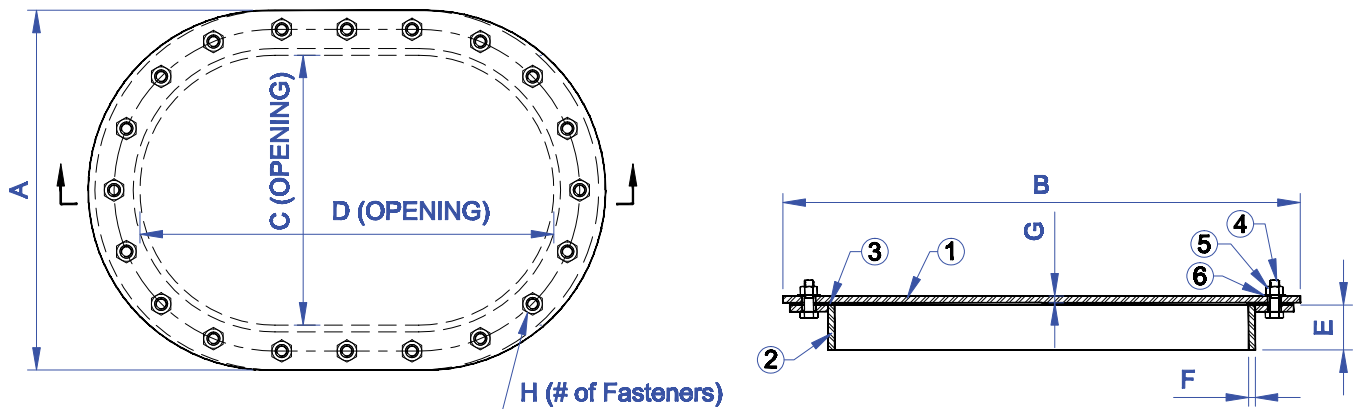
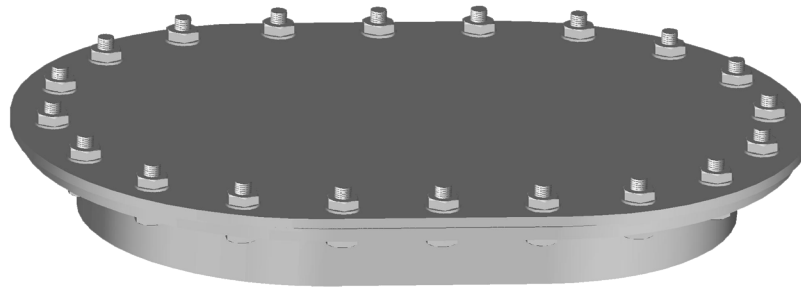
NABRICO

nabrico-marine.com

615.442.1300

The specifications and details described by drawings or text in this literature are subject to change without notice.

RAISED MULTI-BOLT OVAL HATCH



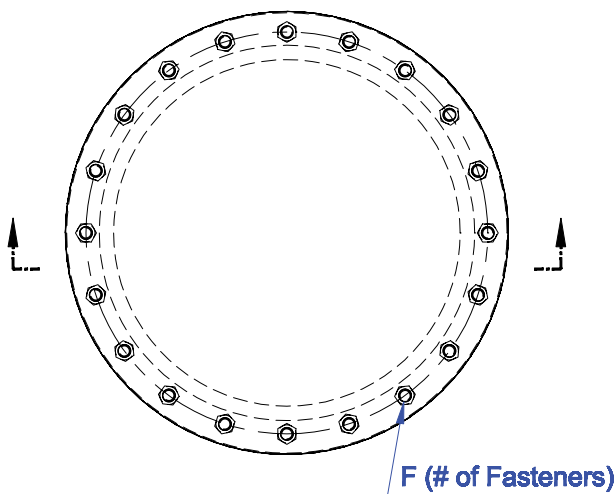
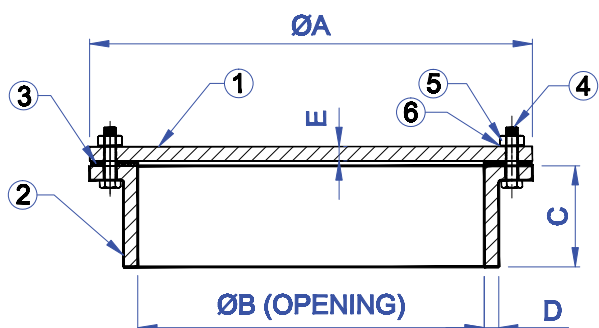
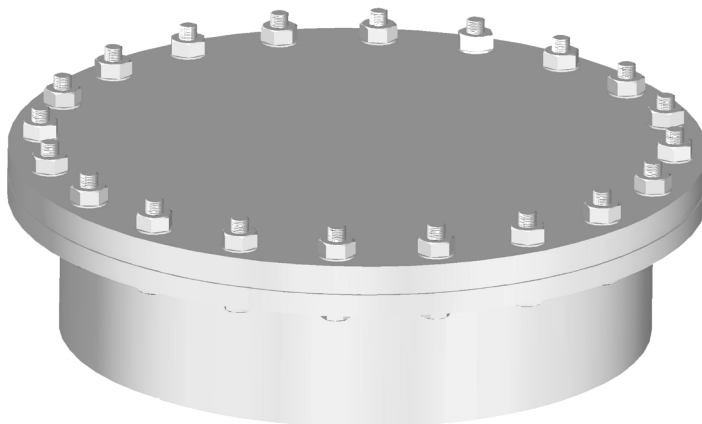
PIECE No.	DESCRIPTION	PART NUMBER		MATERIAL
		DF-501	DF-502	
1	COVER PLATE	21342	21350	STEEL
2	COAMING	21369	21377	STEEL
3	GASKET	21385	21393	NEOPRENE
4	HEX HEAD BOLT	14610		STEEL
5	HEX NUT	21245		STAINLESS
6	WASHER	21237		BRASS

MODEL No.	PART No.	SIZE	A	B	C	D	E	F	G	H	WT. (lbs.)
DF-501	21091	15x23	20"	28-3/4"	15"	23"	2-1/2"	3/8"	3/8"	20	85
DF-502	21105	18x24	23"	29-3/4"	18"	24"	2-1/2"	3/8"	3/8"	24	106

1. ADDITIONAL COAMING HEIGHTS AVAILABLE.
2. OTHER BOLT, WASHER AND NUT COMBINATIONS AVAILABLE.
3. OTHER GASKET MATERIALS AVAILABLE.

HATCHES

RAISED (6 PSI) MULTI-BOLT HATCH



PIECE No.	DESCRIPTION	PART No.	MATERIAL
1	COVER PLATE	77228	STAINLESS
2	COAMING ASSEMBLY	77232	STAINLESS
3	GASKET	77231	GARLOCK
4	HEX HEAD BOLT	451	STAINLESS
5	HEX NUT	452	STAINLESS
6	WASHER	453	STAINLESS

MODEL No.	PART No.	SIZE	ØA	ØB	C	D	E	F	WT. (lbs.)
DF-157-18	77227	18"	23"	18"	5"	3/8"	3/4"	20	186

1. OTHER BOLT, NUT AND WASHER COMBINATIONS AVAILABLE.
2. OTHER GASKET MATERIALS AVAILABLE.

HATCHES



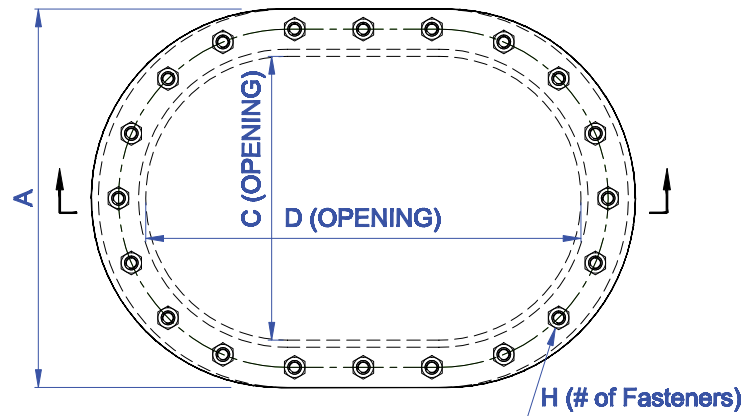
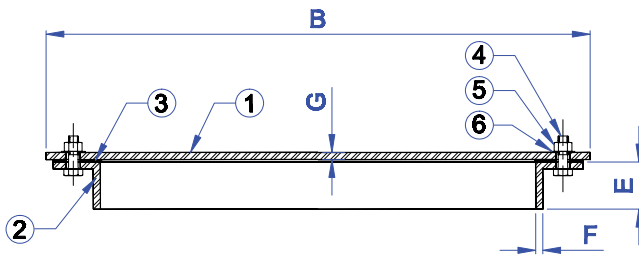
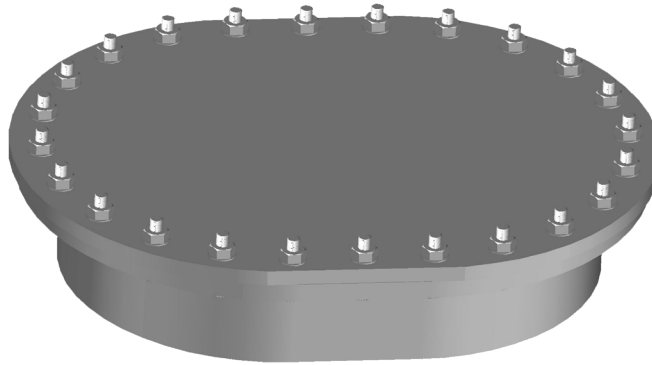
NABRICO

nabrico-marine.com

615.442.1300

The specifications and details described by drawings or text in this literature are subject to change without notice.

RAISED (6 PSI) MULTI-BOLT OVAL HATCH



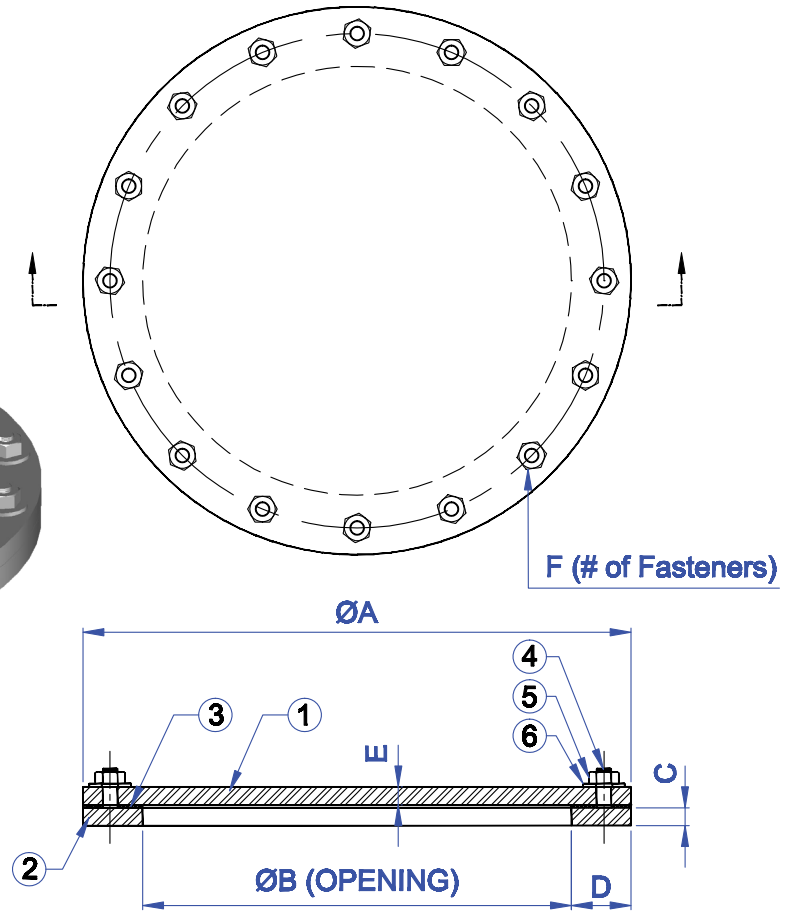
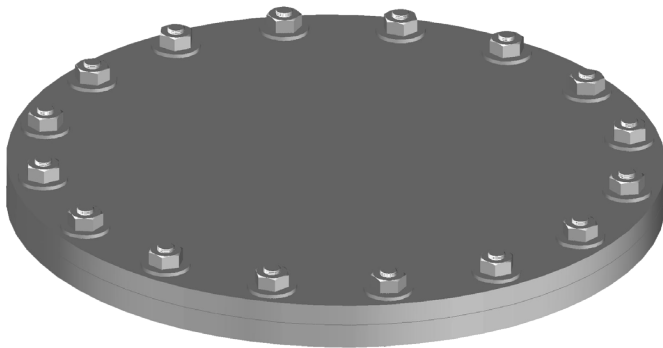
PIECE No.	DESCRIPTION	PART No.	MATERIAL
1	COVER PLATE	21153	STAINLESS
2	COAMING	21171	STAINLESS
3	GASKET	21156	GARLOCK
4	HEX HEAD BOLT	451	STAINLESS
5	HEX NUT	452	STAINLESS
6	WASHER	453	STAINLESS

MODEL No.	PART No.	SIZE	A	B	C	D	E	F	G	H	WT. (lbs.)
DF-506	21152	18x24	23"	29-7/16"	18"	24-3/8"	5-1/4"	3/8"	3/4"	24	252

1. OTHER BOLT, NUT AND WASHER COMBINATIONS AVAILABLE.
2. OTHER GASKET MATERIALS AVAILABLE.

HATCHES

RAISED MULTI-STUD ROUND HATCH



PIECE No.	DESCRIPTION	MATERIAL
1	COVER PLATE	STEEL
2	COAMING RING	STEEL
3	GASKET	NEOPRENE
4	THREADED STUD	STAINLESS
5	HEX NUT	BRASS
6	WASHER	STAINLESS

MODEL No.	PART No.	SIZE	ØA	ØB	C	D	E	F	WT. (lbs.)
DF-549-18	30608	18"	23-1/2"	18-1/2"	2"	2-1/2"	3/4"	16	100
DF-549-20	30610	20"	25-1/2"	20-1/2"	2"	2-1/2"	3/4"	18	115

1- OTHER GASKET MATERIALS AVAILABLE.

HATCHES

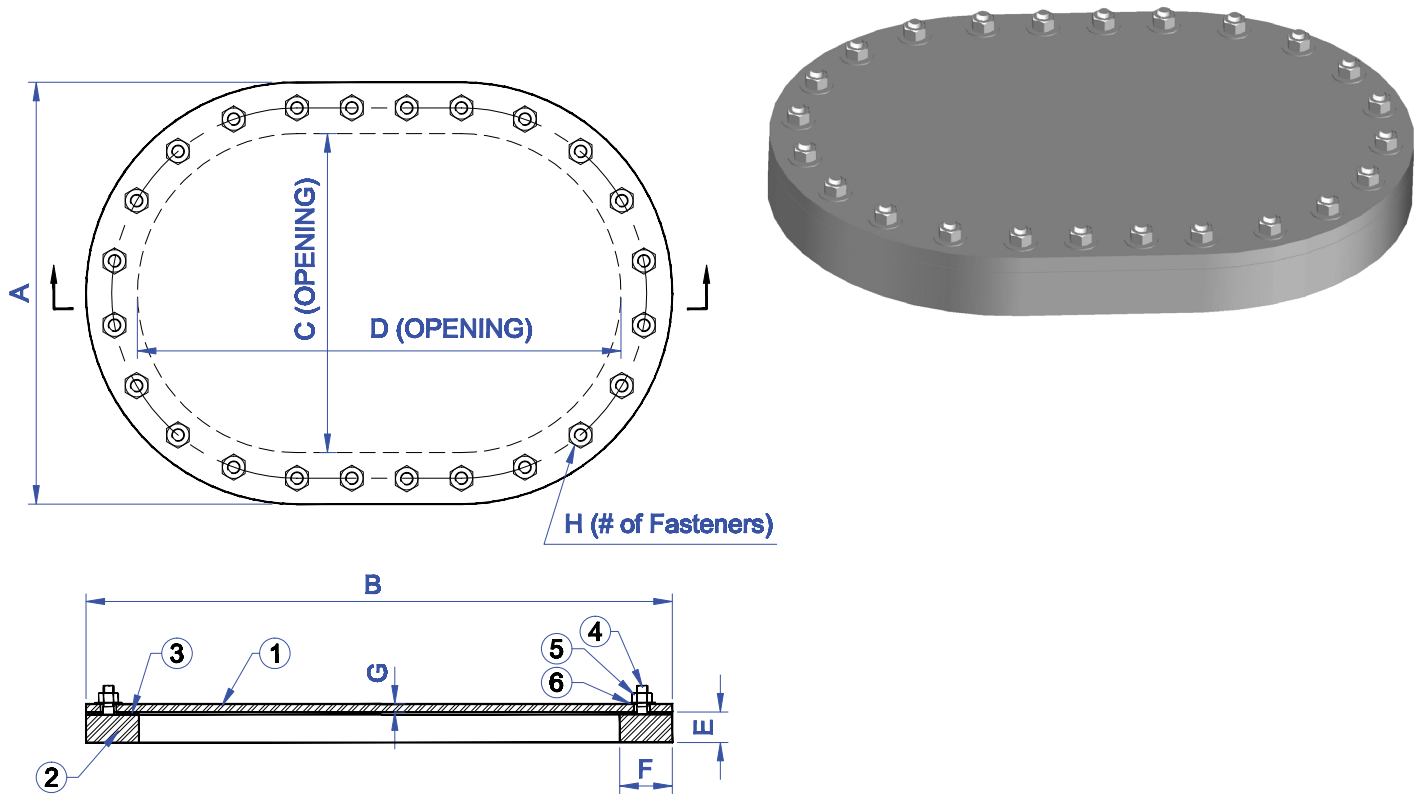


nabrico-marine.com

615.442.1300

The specifications and details described by drawings or text in this literature are subject to change without notice.

RAISED MULTI-STUD OVAL HATCH

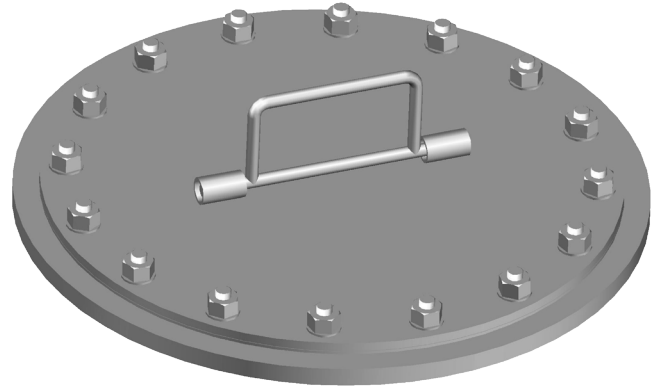
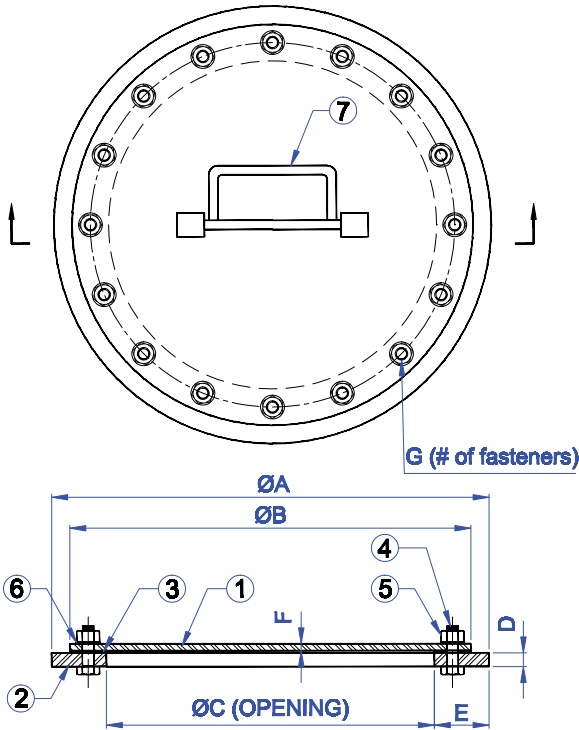


PIECE No.	DESCRIPTION	PART No.		MATERIAL
		DF-548-1523	DF-548-2230	
1	COVER PLATE	93203	93300	STEEL
2	COAMING RING	93211	93319	STEEL
3	GASKET	93238	93327	NEOPRENE
4	THREADED STUD	93246		STAINLESS
5	HEX NUT	16179		BRASS
6	WASHER	453		STAINLESS

MODEL No.	PART No.	SIZE	A	B	C	D	E	F	G	H	WT. (lbs.)
DF-548-1523	93149	15x23	20-1/2"	28-1/2"	15-1/2"	23-1/2"	2"	2-1/2"	3/4"	24	111
DF-548-2230	93297	22x30	27-1/2"	35-1/2"	22-1/2"	30-1/2"	2"	2-1/2"	3/4"	32	153

1- OTHER GASKET MATERIALS AVAILABLE.

FLUSH MULTI-BOLT CLEAN OUT HATCH



PIECE No.	DESCRIPTION	MATERIAL
1	COVER PLATE	STEEL
2	DECK RING	STEEL
3	GASKET	NEOPRENE
4	HEX HEAD BOLT	STAINLESS
5	HEX NUT	316 STAINLESS
6	WASHER	STAINLESS
7	GRAB HANDLE	STEEL

MODEL No.	PART No.	SIZE	ØA	ØB	ØC	D	E	F	G	WT. (lbs.)
DF-155-14	22415	14"	20"	17-1/2"	14"	3/4"	3"	3/8"	14	75
DF-155-18	22413	18"	24"	21-1/2"	18"	3/4"	3"	3/8"	16	90
DF-155-20	22414	20"	26"	23-1/2"	20"	3/4"	3"	3/8"	18	100

1- OTHER GASKET MATERIALS AVAILABLE.

HATCHES



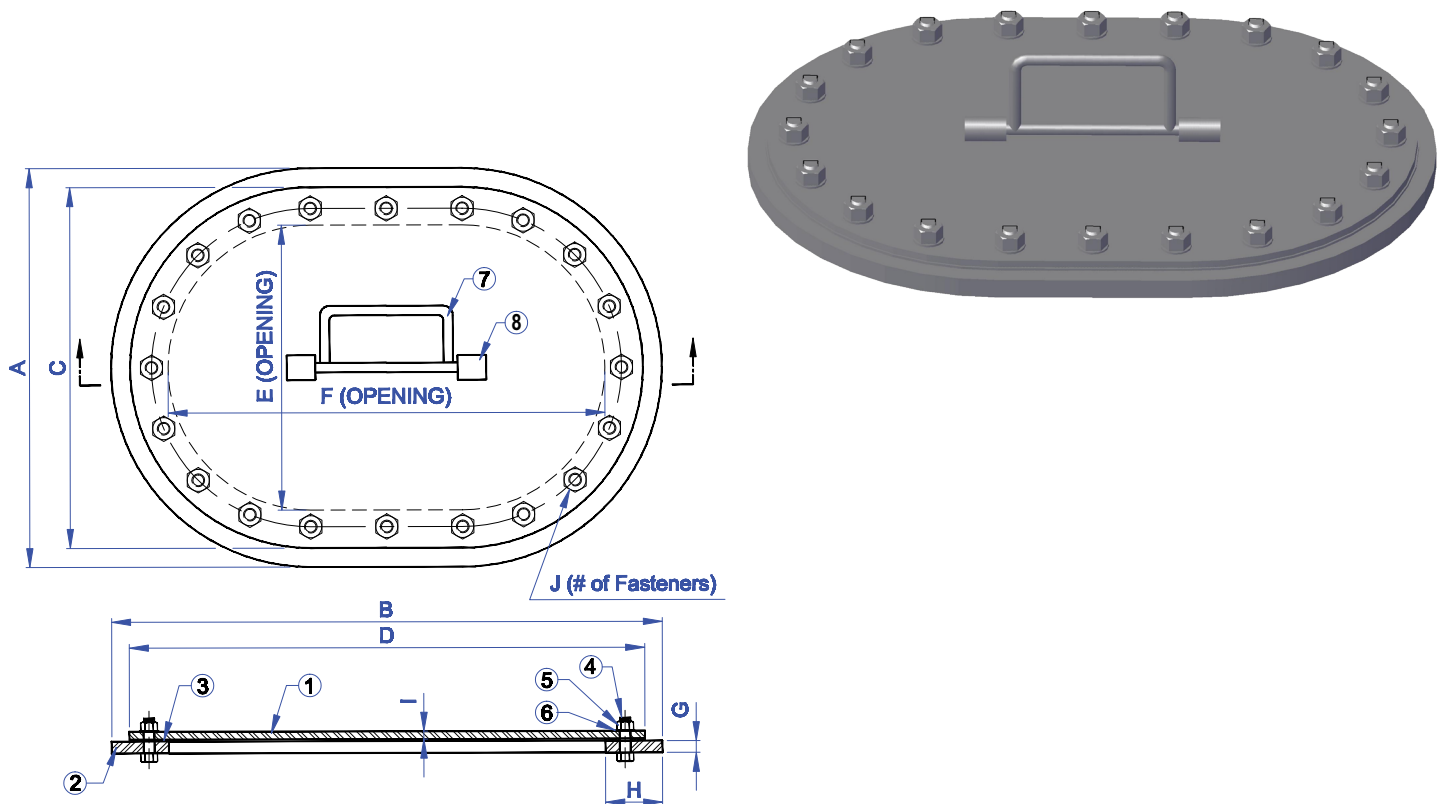
NABRICO

nabrico-marine.com

615.442.1300

The specifications and details described by drawings or text in this literature are subject to change without notice.

FLUSH MULTI-BOLT OVAL HATCH

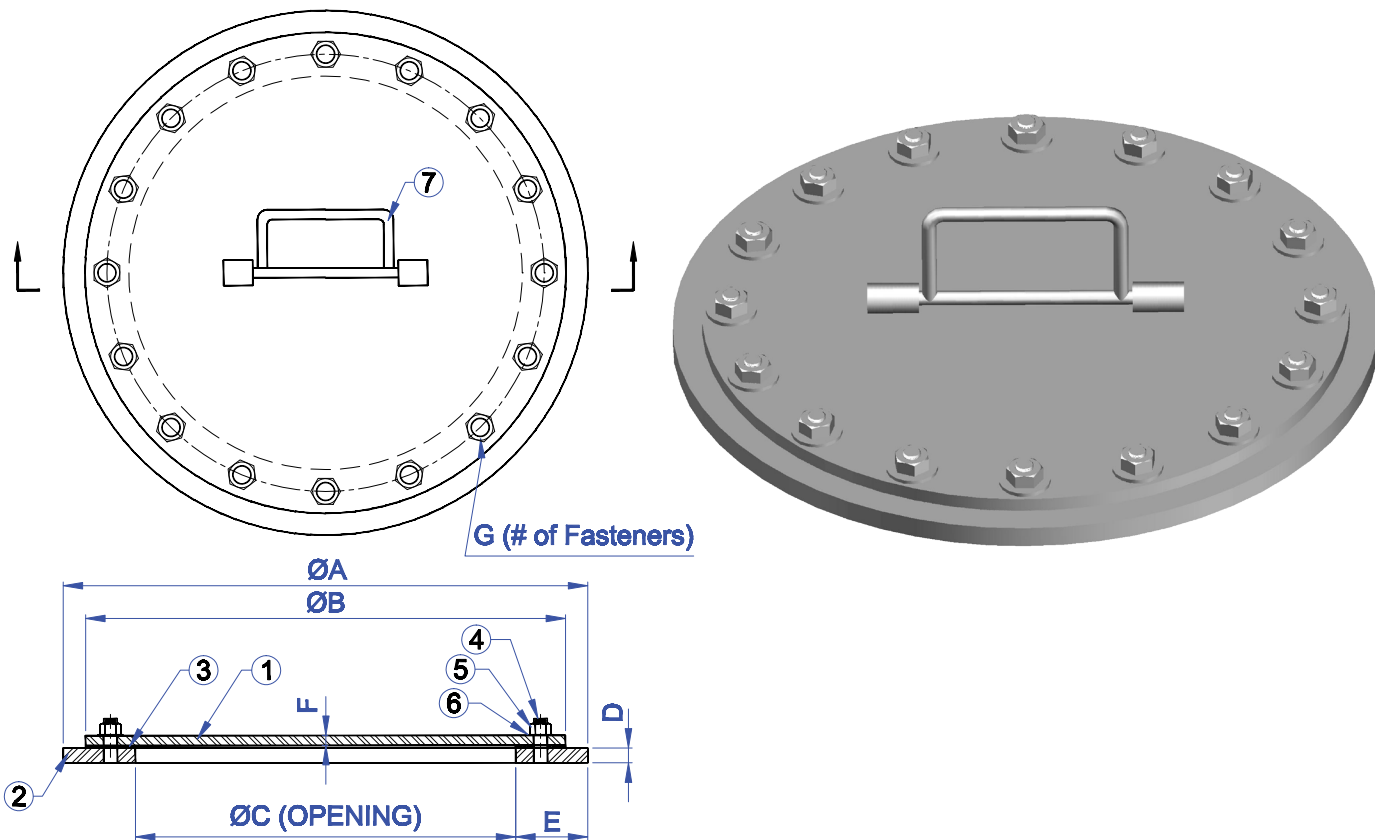


PIECE No.	DESCRIPTION	PART NUMBER		MATERIAL
		DF-503	DF-504	
1	COVER PLATE	21229	21318	STEEL
2	DECK RING	21253	21326	STEEL
3	GASKET	21296	21334	NEOPRENE
4	HEX HEAD BOLT	14613		STEEL
5	HEX NUT	21245		STAINLESS
6	WASHER	21237		BRASS
7	HANDLE	21261		STEEL
8	HANDLE RETAINER (2 REQ'D)	21288		STEEL

MODEL No.	PART No.	SIZE	A	B	C	D	E	F	G	H	I	J	WT. (lbs.)
DF-503	21113	15x23	21"	29"	18-1/2"	26-1/2"	15"	23"	3/4"	3"	3/8"	20	95
DF-504	21121	18x24	24"	30"	21-1/2"	27-1/2"	18"	24"	3/4"	3"	3/8"	24	112

- 1- OTHER BOLT, NUT AND WASHER COMBINATIONS AVAILABLE.
- 2- OTHER GASKET MATERIALS AVAILABLE.

FLUSH MULTI-STUD ROUND HATCH



PIECE No.	DESCRIPTION	MATERIAL
1	COVER PLATE	STEEL
2	DECK RING	STEEL
3	GASKET	NEOPRENE
4	THREADED STUD	STAINLESS
5	HEX NUT	STAINLESS
6	WASHER	BRASS
7	HANDLE	STEEL

MODEL No.	PART No.	SIZE	ØA	ØB	ØC	D	E	F	G	WT. (lbs.)
DF-509-14	30614	14"	20"	17-1/2"	14"	3/4"	3"	3/8"	14	75
DF-509-18	30616	18"	24"	21-1/2"	18"	3/4"	3"	3/8"	16	90
DF-509-20	30618	20"	26"	23-1/2"	20"	3/4"	3"	3/8"	18	100

1- OTHER GASKET MATERIALS AVAILABLE.

HATCHES



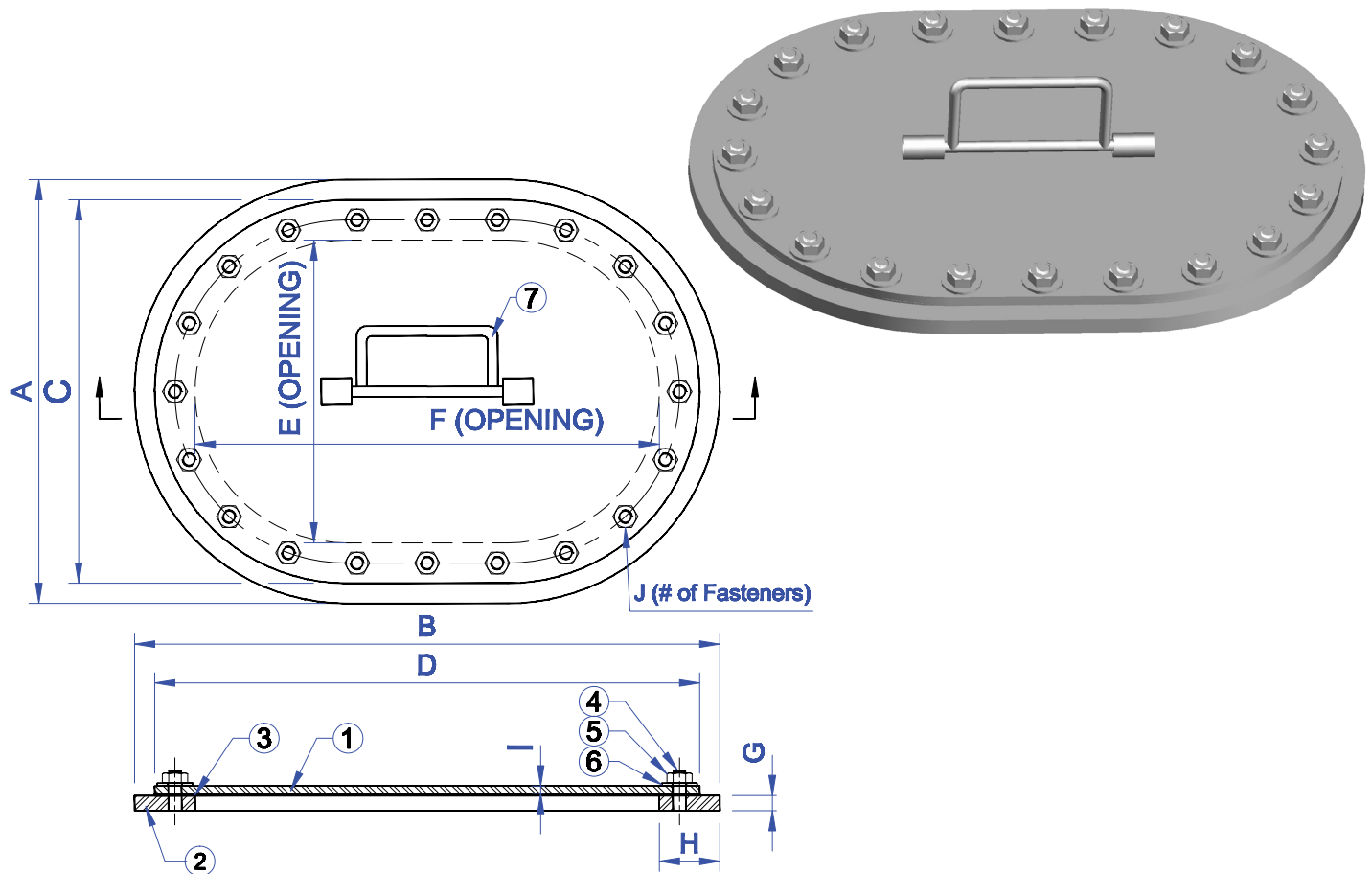
NABRICO

nabrico-marine.com

615.442.1300

The specifications and details described by drawings or text in this literature are subject to change without notice.

FLUSH MULTI-STUD OVAL HATCH

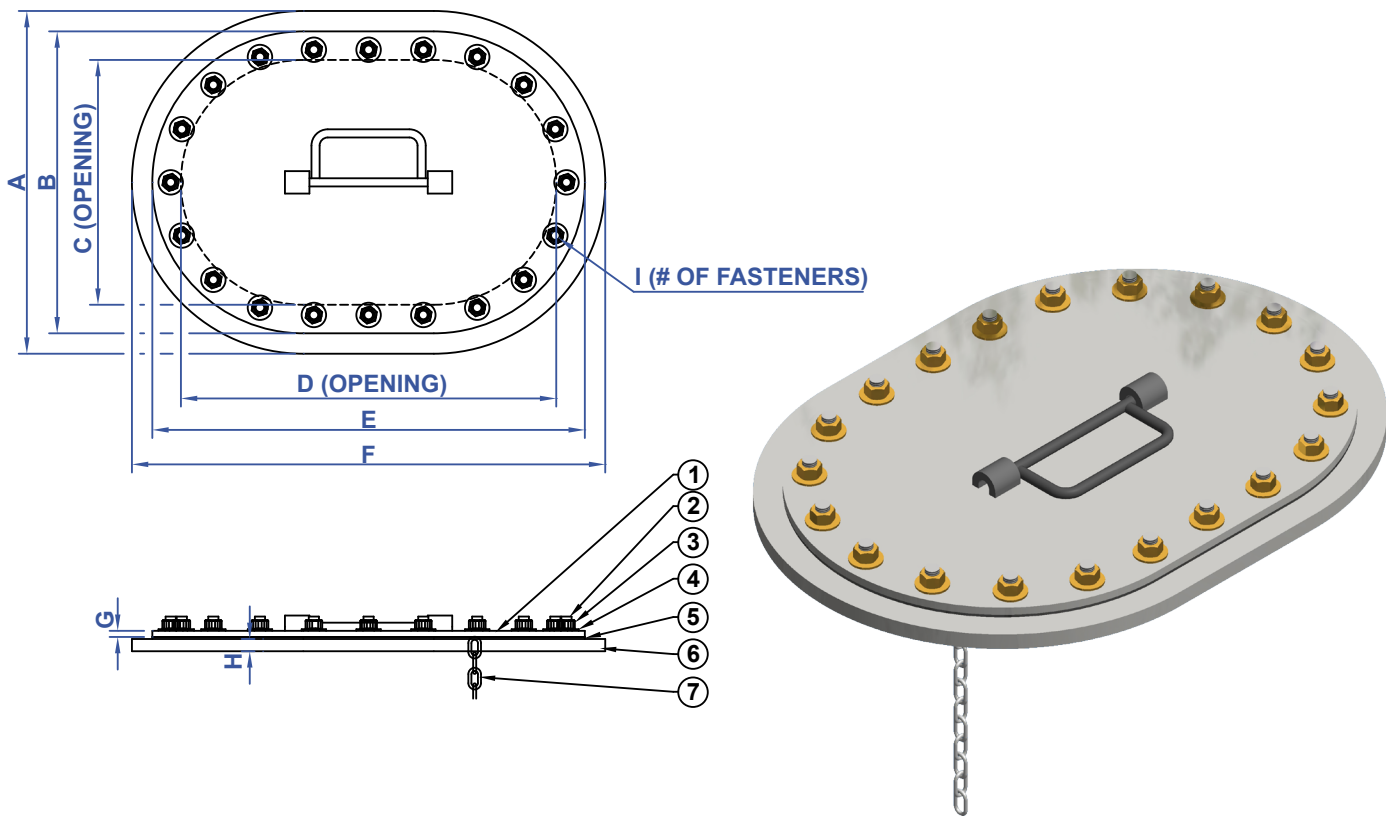


PIECE No.	DESCRIPTION	MATERIAL
1	COVER PLATE	STEEL
2	DECK RING	STEEL
3	GASKET	NEOPRENE
4	THREADED STUD	STAINLESS
5	HEX NUT	STAINLESS
6	WASHER	BRASS
7	HANDLE	STEEL

MODEL No.	PART No.	SIZE	A	B	C	D	E	F	G	H	I	J	WT. (lbs.)
DF-510	30151	15x23	21"	29"	18-1/2"	26-1/2"	15"	23"	3/4"	3"	3/8"	20	95
DF-510	30152	18x24	24"	30"	21-1/2"	27-1/2"	18"	24"	3/4"	3"	3/8"	24	112

- 1- OTHER NUT AND WASHER COMBINATIONS AVAILABLE.
- 2- OTHER GASKET MATERIALS AVAILABLE.

FLUSH MULTI-STUD OVAL HATCH



PIECE No.	DESCRIPTION	QTY	MATERIAL	P/N
1	HATCH COVER	1	STEEL	21229
2	THREADED STUD	20	STAINLESS	93246
3	HEX NUT	20	BRASS	16179
4	FLAT WASHER	20	BRASS	21237
5	GASKET	1	NEOPRENE	21296
6	DECK RING	1	STEEL	21253
7	KEEPER CHAIN	1	GALVANIZED	92798

MODEL No.	PART No.	SIZE	A	B	C	D	E	F	G	H	I	WT. (lbs.)
DF-510	21126	15x23	21"	18-1/2"	15"	23"	26-1/2"	29"	3/8"	3/4"	20	97

- 1- OTHER NUT AND WASHER COMBINATIONS AVAILABLE.
- 2- OTHER GASKET MATERIALS AVAILABLE.

HATCHES



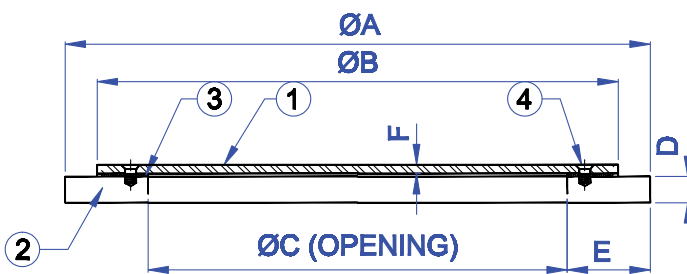
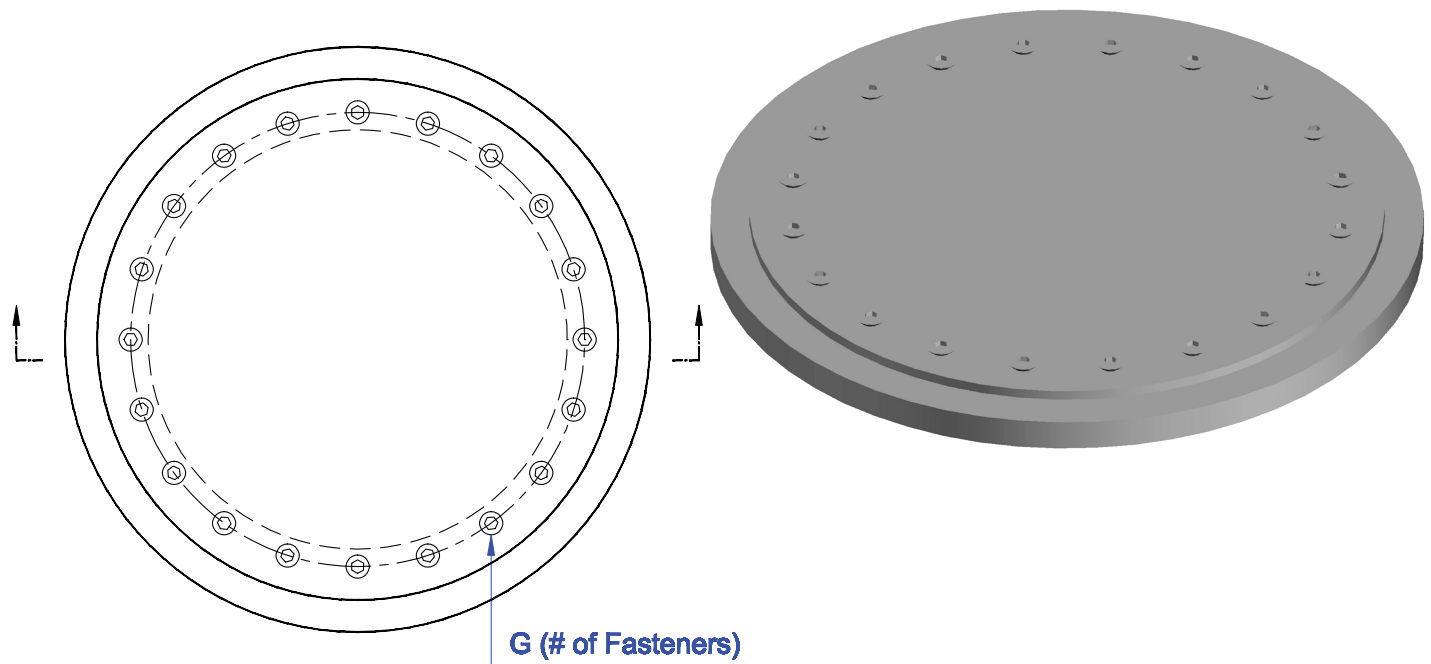
NABRICO

nabrico-marine.com

615.442.1300

The specifications and details described by drawings or text in this literature are subject to change without notice.

FLUSH MULTI-SCREW ROUND HATCH



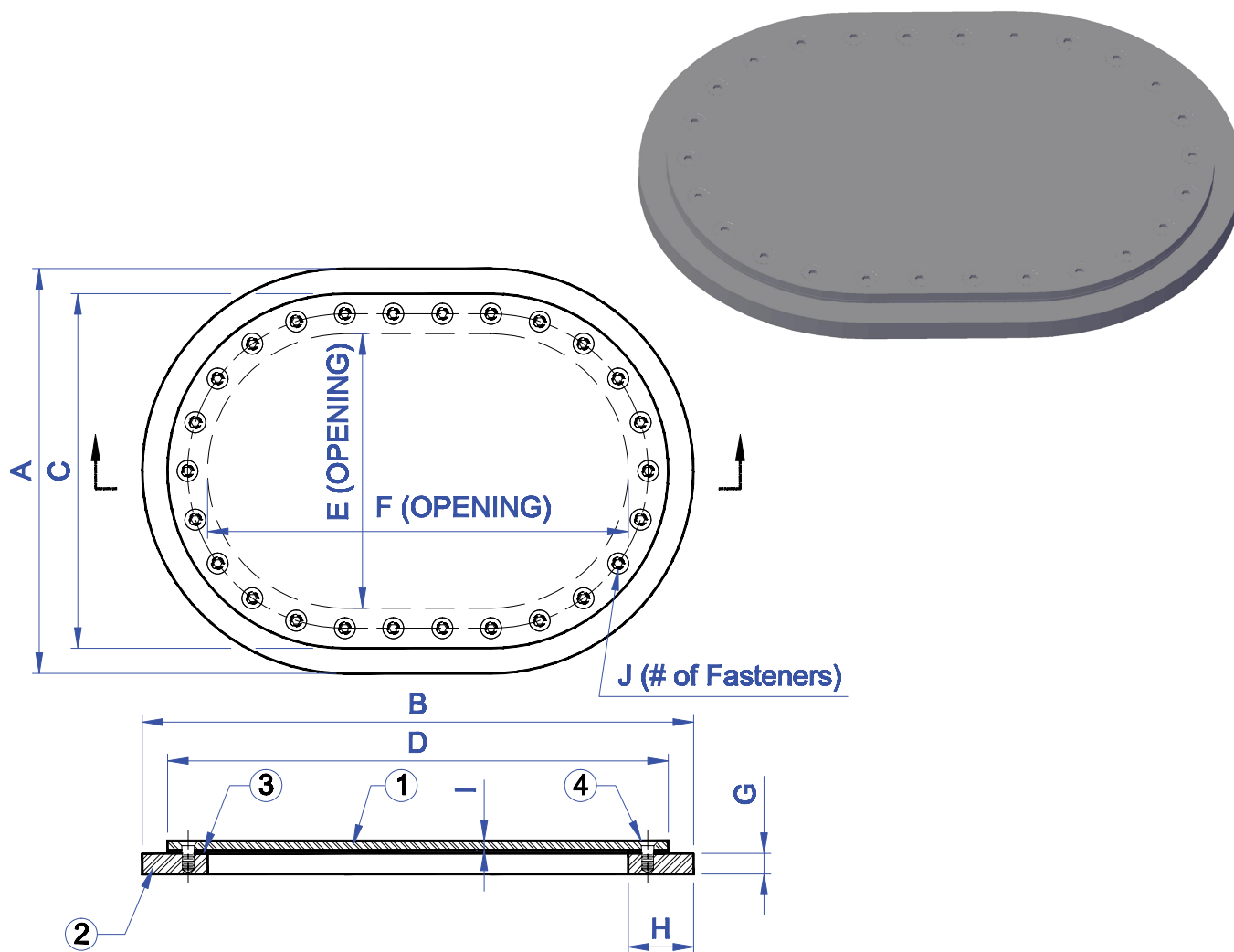
PIECE No.	DESCRIPTION	MATERIAL
1	COVER PLATE	STEEL
2	DECK RING	STEEL
3	GASKET	NEOPRENE
4	FLAT HEAD SOCKET SCREW	STAINLESS

MODEL No.	PART No.	SIZE	ØA	ØB	ØC	D	E	F	G	WT. (lbs.)
DF-507-14	21083	14"	21-1/8"	18-3/8"	14"	1-1/8"	3-9/16"	3/8"	16	75
DF-507-18	21149	18"	25-1/8"	22-3/8"	18"	1-1/8"	3-9/16"	3/8"	20	83
DF-507-20	21150	20"	27-1/8"	24-3/8"	20"	1-1/8"	3-9/16"	3/8"	22	96

1- OTHER GASKET MATERIALS AVAILABLE.

HATCHES

FLUSH MULTI-SCREW OVAL HATCH



PIECE No.	DESCRIPTION	PART No.	MATERIAL
1	COVER PLATE	21181	STEEL
2	DECK RING	21210	STEEL
3	GASKET	21202	NEOPRENE
4	FLAT HEAD SOCKET SCREW	21199	STAINLESS

MODEL No.	PART No.	SIZE	A	B	C	D	E	F	G	H	I	J	WT. (lbs.)
DF-505	21148	15x23	22-1/8"	30-1/8"	19-3/8"	27-3/8"	15"	23"	1 1/8"	3-9/16"	1/2"	26	160

1- OTHER GASKET MATERIALS AVAILABLE.

HATCHES



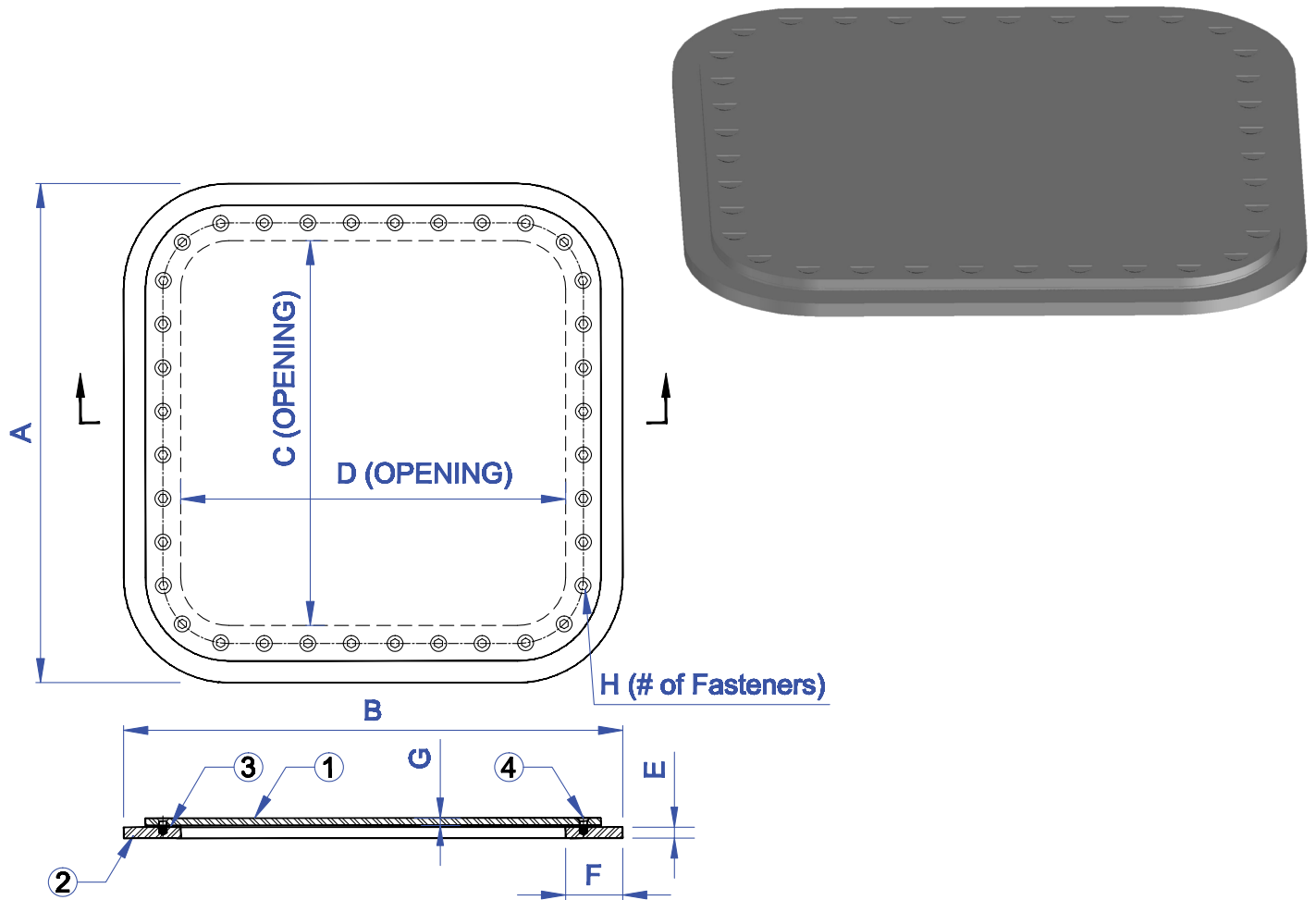
NABRICO

nabrico-marine.com

615.442.1300

The specifications and details described by drawings or text in this literature are subject to change without notice.

FLUSH MULTI-SCREW SQUARE HATCH



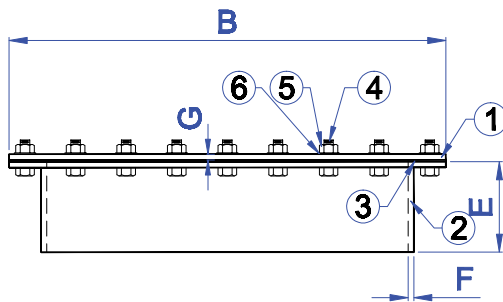
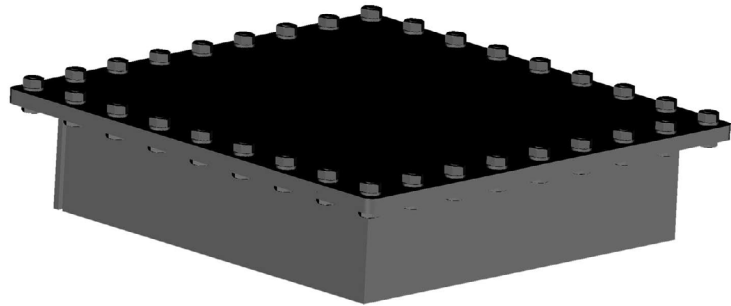
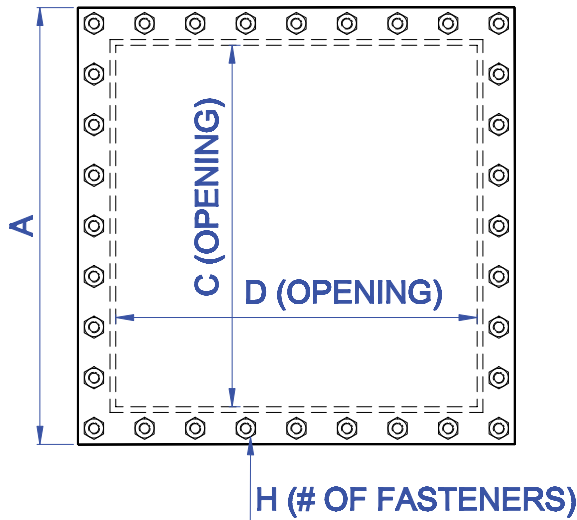
PIECE No.	DESCRIPTION	MATERIAL
1	COVER PLATE	STEEL
2	DECK RING	STEEL
3	GASKET	NEOPRENE
4	FLAT HEAD SOCKET SCREW	STAINLESS

MODEL No.	PART No.	SIZE	A	B	C	D	E	F	G	H	WT. (lbs.)
DF-508	21145	24x24	31-1/8"	31-1/8"	24"	24"	3/4"	3-9/16"	1/2"	36	191

1- OTHER GASKET MATERIALS AVAILABLE.

HATCHES

VALVE REMOVAL HATCH



PIECE No.	DESCRIPTION	MATERIAL
1	COVER ASSEMBLY	STEEL
2	COAMING ASSEMBLY	STEEL
3	GASKET	NEOPRENE
4	HEX HEAD BOLT	STEEL
5	HEX NUT	STAINLESS
6	WASHER	BRASS

MODEL No.	PART No.	SIZE	A	B	C	D	E	F	G	H	WT. (lbs.)
DF-587-6	21072	24x24	29"	29"	24"	24"	6"	3/8"	3/8"	32	375

1- ADDITIONAL COAMING HEIGHTS AVAILABLE.
2- ADDITIONAL OPENING DIMENSIONS AVAILABLE.

3- OTHER GASKET MATERIALS AVAILABLE.
4- OTHER BOLT, NUT AND WASHER COMBINATIONS AVAILABLE.

HATCHES

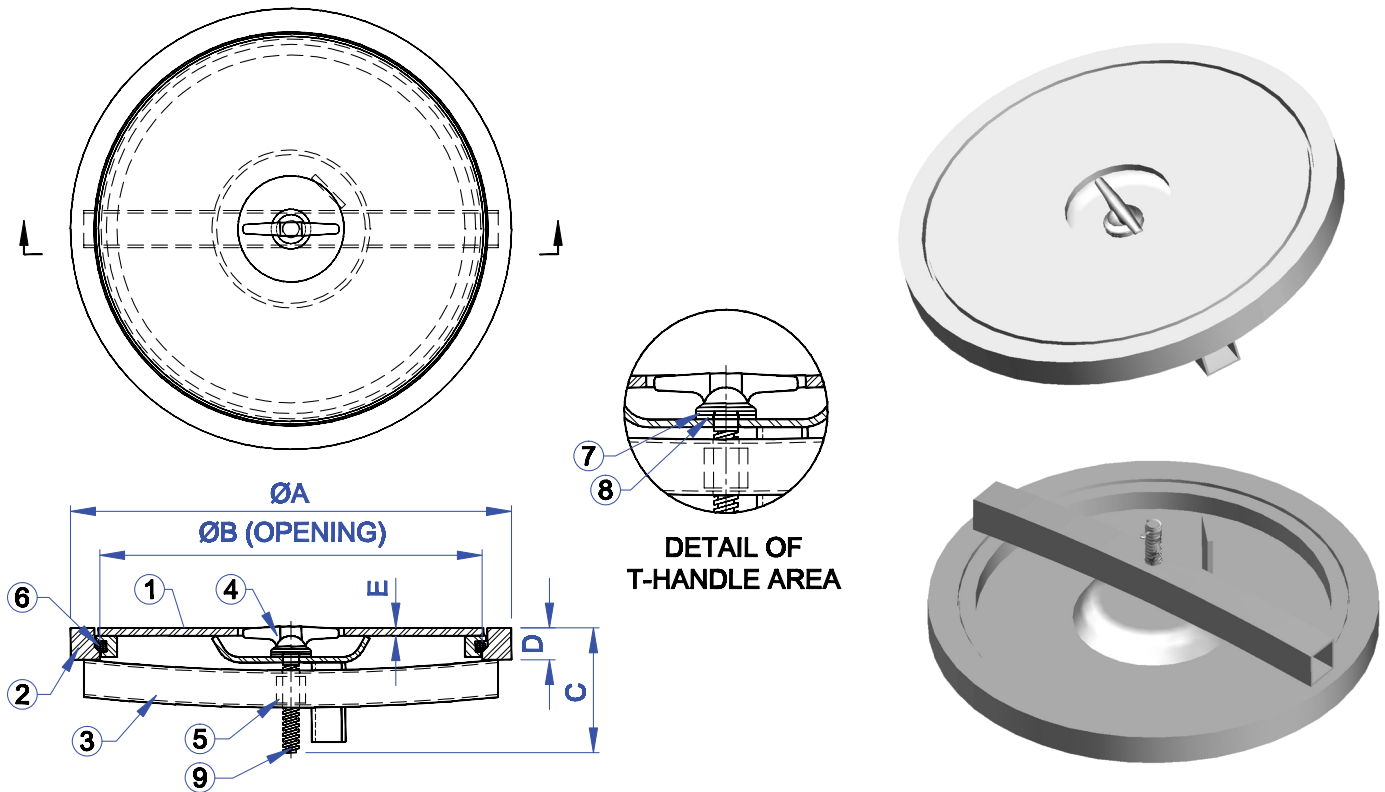


nabrico-marine.com

615.442.1300

The specifications and details described by drawings or text in this literature are subject to change without notice.

FLUSH WATERTIGHT T-HANDLE HATCH



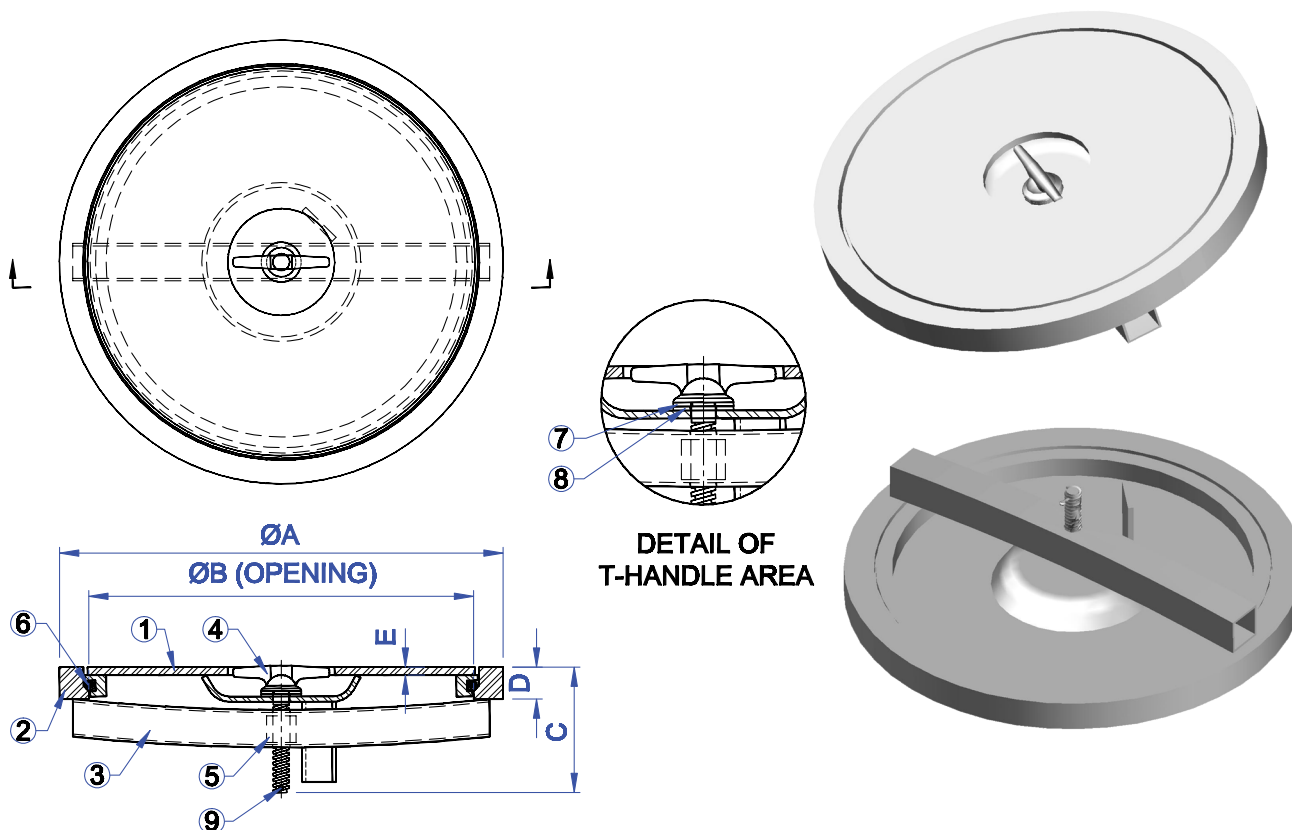
PIECE No.	DESCRIPTION	PART No.		MATERIAL
		DF-430-18D	DF-430-24D	
1	HATCH LESS DECK RING	20389	20397	STEEL
2	DECK RING	6750	15334	STEEL
3	STRONGBACK	6300	13870	GALVANIZED STEEL
4	T-HANDLE	16993		STAINLESS
5	ACME THREADED NUT	507		BRASS
6	HATCH GASKET	17256	6548	NEOPRENE
7	WASHER	604		BRASS
8	WASHER GASKET	6556		NEOPRENE
9	COTTER PIN	21639		STAINLESS

MODEL No.	PART No.	SIZE	ØA	ØB	C	D	E	WT. (lbs.)
DF-430-18D	6297	18"	20-3/4"	18"	5-7/8"	1-1/2"	3/8"	70
DF-430-24D	6270	24"	26-3/4"	24"	5-7/8"	1-1/2"	3/8"	120

1 - ADDITIONAL OPENING DIMENSIONS AVAILABLE.
2 - OTHER GASKET MATERIALS AVAILABLE.

HATCHES

FLUSH GALV. WATERTIGHT T-HANDLE HATCH



PIECE No.	DESCRIPTION	PART No.		MATERIAL
		DF-430-18D	DF-430-24D	
1	HATCH LESS DECK RING	6337	20398	GALVANIZED STEEL
2	DECK RING	6751	15335	GALVANIZED STEEL
3	STRONGBACK	6300	13870	GALVANIZED STEEL
4	T-HANDLE	16993		STAINLESS
5	ACME THREADED NUT	507		BRASS
6	HATCH GASKET	17256	6548	NEOPRENE
7	WASHER	604		BRASS
8	WASHER GASKET	6556		NEOPRENE
9	COTTER PIN	21639		STAINLESS

MODEL No.	PART No.	SIZE	ØA	ØB	C	D	E	WT. (lbs.)
DF-430-18D	6335	18"	20-3/4"	18"	5-7/8"	1-1/2"	3/8"	70
DF-430-24D	6289	24"	26-3/4"	24"	5-7/8"	1-1/2"	3/8"	120

1 - ADDITIONAL OPENING DIMENSIONS AVAILABLE.
 2 - OTHER GASKET MATERIALS AVAILABLE.

HATCHES



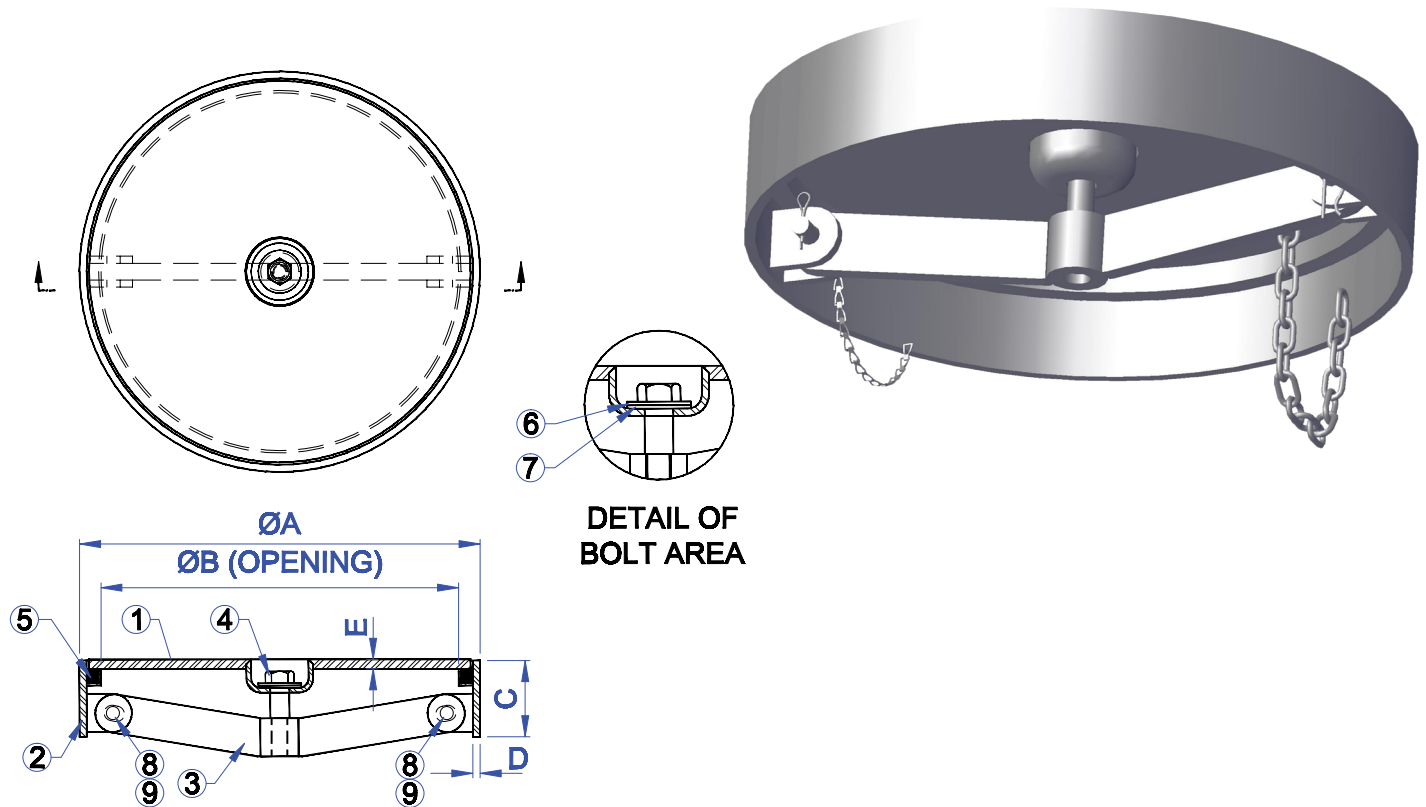
NABRICO

nabrico-marine.com

615.442.1300

The specifications and details described by drawings or text in this literature are subject to change without notice.

SINGLE BOLT ROUND HATCH



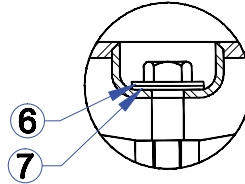
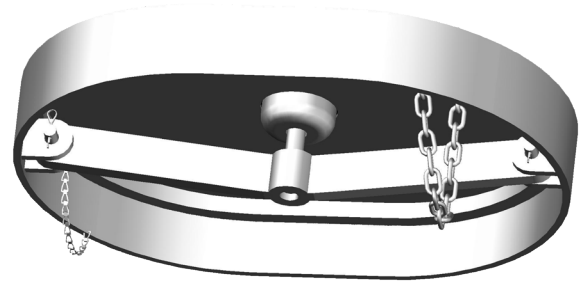
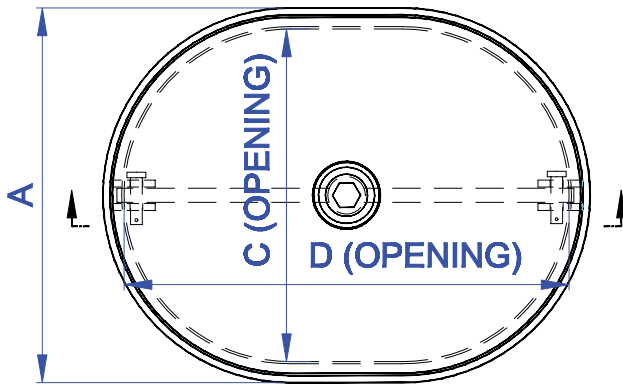
PIECE No.	DESCRIPTION	PART No.			MATERIAL
		DF-540-1775	DF-540-1975	DF-540-2175	
1	HATCH COVER ASSEMBLY	92673	92924	92932	STEEL
2	COAMING ASSEMBLY	92681	92959	92967	STEEL
3	STRONGBACK ASSEMBLY	92762	93041	93068	STEEL
4	HEX HEAD BOLT	92746			STAINLESS
5	HATCH GASKET	92703	92983	92991	NEOPRENE
6	WASHER	92908			BRASS
7	WASHER GASKET	92711			NEOPRENE
8	CLEVIS PIN	92770			GALVANIZED STEEL
9	COTTER PIN	92789			STAINLESS

MODEL No.	MS- PART No.	SS- PART No.	SIZE	ØA	ØB	C	D	E	WT. (lbs.)
DF-540-1775	89915	89914	17-3/4"	20"	17-3/4"	4"	3/8"	1/2"	90
DF-540-1975	93017	93016	19-3/4"	22"	19-3/4"	4"	3/8"	1/2"	100
DF-540-2175	93025	93026	21-3/4"	24"	21-3/4"	4"	3/8"	1/2"	115

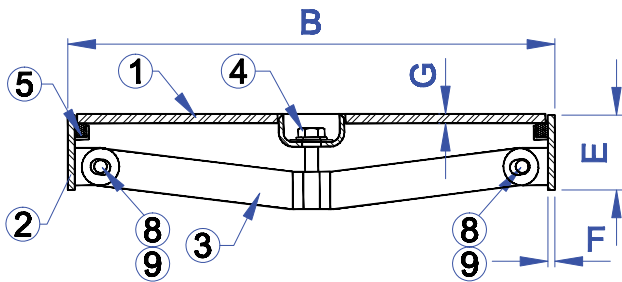
- 1- ADDITIONAL COAMING HEIGHTS AVAILABLE.
- 2- ADDITIONAL OPENING DIMENSIONS AVAILABLE.
- 3- OTHER GASKET MATERIALS AVAILABLE.

HATCHES

SINGLE BOLT OVAL HATCH



DETAIL OF BOLT AREA



PIECE No.	DESCRIPTION	PART No.		MATERIAL
		DF-540-1523	DF-540-1824	
1	HATCH COVER ASSEMBLY	93020	93039	STEEL
2	COAMING ASSEMBLY	93021	93043	STEEL
3	STRONGBACK ASSEMBLY	93022	93045	STEEL
4	HEX HEAD BOLT	92746	92746	STAINLESS
5	HATCH GASKET	93023	93050	NEOPRENE
6	WASHER	92908	92908	BRASS
7	WASHER GASKET	92711	92711	NEOPRENE
8	CLEVIS PIN	92770	92770	GALV STEEL
9	COTTER PIN	92789	92789	STAINLESS

MODEL No.	PART No.	SIZE	A	B	C	D	E	F	G	WT. (lbs.)
DF-540-1523	93010	15x23	17-1/4"	25-1/4"	15"	23"	4"	3/8"	1/2"	100
DF-540-1824	93001	18x24	20-1/4"	26-1/4"	18"	24"	4"	3/8"	1/2"	130

- 1- ADDITIONAL COAMING HEIGHTS AVAILABLE.
- 2- ADDITIONAL OPENING DIMENSIONS AVAILABLE.
- 3- OTHER GASKET MATERIALS AVAILABLE.

HATCHES

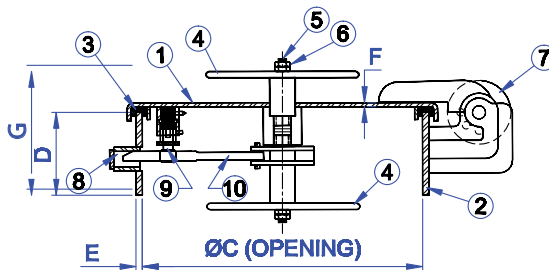
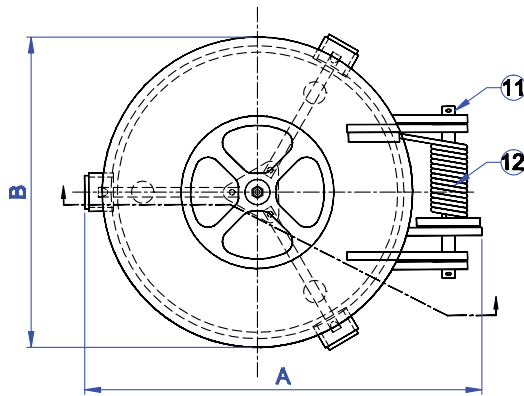
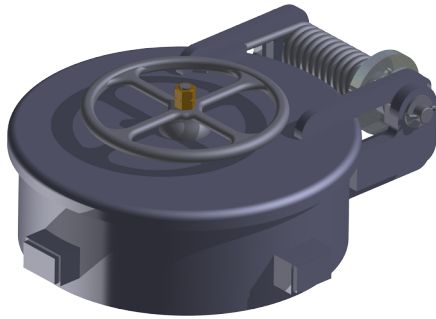


nabrico-marine.com

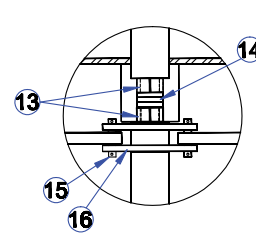
615.442.1300

The specifications and details described by drawings or text in this literature are subject to change without notice.

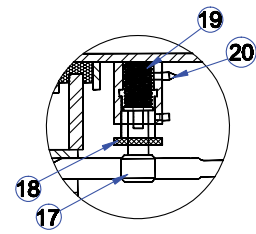
RAISED WATERTIGHT QUICK ACTING ESCAPE HATCH



No.	DESCRIPTION	MATERIAL
1	HATCH COVER ASSEMBLY	STEEL
2	COAMING ASSEMBLY	STEEL
3	HATCH GASKET	NEOPRENE
4	HANDWHEEL ASSEMBLY	STEEL
5	CENTER SHAFT	STAINLESS
6	JAM NUT	STAINLESS
7	ADJUSTING SPROCKET	STEEL
8	DOG POCKET ASSEMBLY	STEEL
9	SWIVEL GUIDE ASSEMBLY	-
10	DOG ARM	STAINLESS
11	HINGE PIN	STAINLESS
12	HINGE SPRING	STAINLESS
13	BUSHING	NYLON
14	PACKING	GRAPHITE
15	DOG ARM PIN	STAINLESS
16	ROTATING BLOCK ASSEMBLY	STEEL
17	SWIVEL GUIDE	BRASS
18	ADJUSTMENT BUTTON	STEEL
19	SWIVEL GUIDE SPRING	STAINLESS
20	GREASE FITTING	STAINLESS



DETAIL OF DOG ARM HINGE AREA



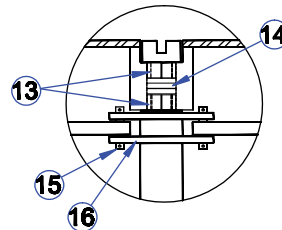
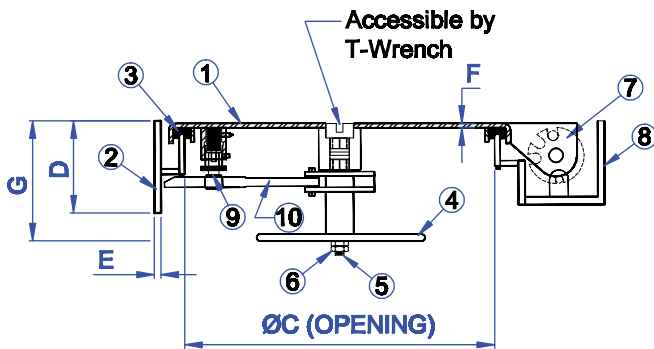
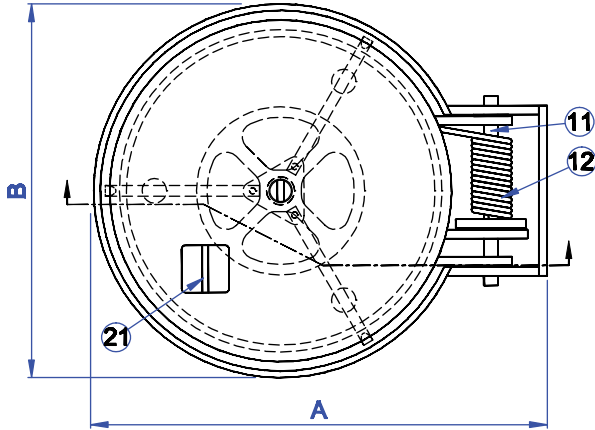
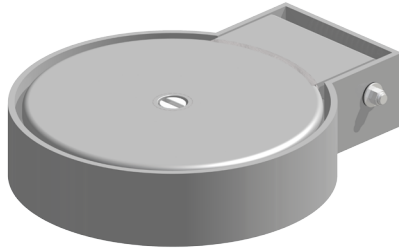
DETAIL OF SWIVEL GUIDE AREA

MODEL No.	PART No.	SIZE	A	B	ØC	D	E	F	G	WT. (lbs.)
DF-546-18	18401	18"	27-1/4"	20-3/8"	18"	6"	1/2"	5/16"	9-1/2"	140
DF-546-20	38010	20"	29-1/4"	22-3/8"	20"	6"	1/2"	5/16"	9-1/2"	160
DF-546-22	37995	22"	31-1/4"	24-3/8"	22"	6"	1/2"	5/16"	9-1/2"	180

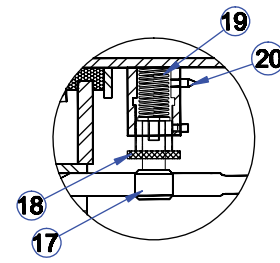
- 1- ADDITIONAL COAMING HEIGHTS AVAILABLE.
- 2- ADDITIONAL OPENING DIMENSIONS AVAILABLE.
- 3- OTHER GASKET MATERIALS AVAILABLE.

HATCHES

FLUSH WATERTIGHT QUICK ACTING ESCAPE HATCH



DETAIL OF DOG ARM HINGE AREA



DETAIL OF SWIVEL GUIDE AREA

No.	DESCRIPTION	MATERIAL
1	HATCH COVER ASSEMBLY	STEEL
2	COAMING ASSEMBLY	STEEL
3	HATCH GASKET	NEOPRENE
4	HANDWHEEL ASSEMBLY	STEEL
5	CENTER SHAFT	STAINLESS
6	JAM NUT	STAINLESS
7	ADJUSTING SPROCKET	STEEL
8	HINGE BOX ASSEMBLY	STEEL
9	SWIVEL GUIDE ASSEMBLY	-
10	DOG ARM	STEEL
11	HINGE PIN	STAINLESS
12	HINGE SPRING	STAINLESS
13	BUSHING	NYLON
14	PACKING	GRAPHITE
15	DOG ARM PIN	STAINLESS
16	ROTATING BLOCK ASSEMBLY	STEEL
17	SWIVEL GUIDE	BRASS
18	ADJUSTMENT BUTTON	STEEL
19	SWIVEL GUIDE SPRING	STAINLESS
20	GREASE FITTING	STAINLESS
21	GRAB HANDLE	STEEL

MODEL No.	PART No.	SIZE	A	B	ØC	D	E	F	G	WT. (lbs.)
DF-551-18	18406	18"	28-9/32"	22-5/32"	18"	6"	1/2"	5/16"	9-3/32"	140
DF-551-20	18407	20"	30-1/16"	24-3/8"	20"	6"	1/2"	5/16"	9-3/32"	160
DF-551-22	18408	22"	32-1/16"	26-3/8"	22"	6"	1/2"	5/16"	9-3/32"	180
DF-551-24	18409	24"	34-3/4"	28-3/16"	24"	6"	1/2"	5/16"	9-3/32"	200

- 1- ADDITIONAL COAMING HEIGHTS AVAILABLE.
- 2- ADDITIONAL OPENING DIMENSIONS AVAILABLE.
- 3- OTHER GASKET MATERIALS AVAILABLE.

HATCHES



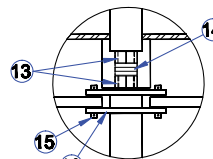
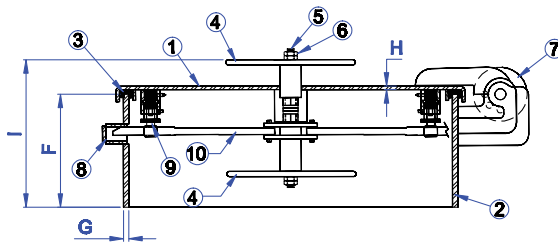
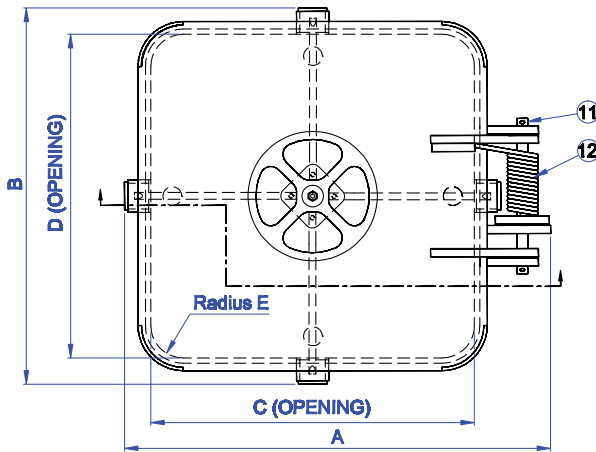
NABRICO

nabrico-marine.com

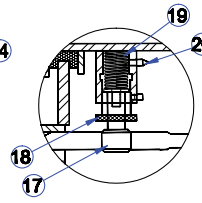
615.442.1300

The specifications and details described by drawings or text in this literature are subject to change without notice.

RAISED WATERTIGHT QUICK ACTING HATCH



DETAIL OF DOG ARM HINGE AREA



DETAIL OF SWIVEL GUIDE AREA

No.	DESCRIPTION	MATERIAL
1	HATCH COVER ASSEMBLY	STEEL
2	COAMING ASSEMBLY	STEEL
3	HATCH GASKET	NEOPRENE
4	HANDWHEEL ASSEMBLY	STEEL
5	CENTER SHAFT	STAINLESS
6	JAM NUT	STAINLESS
7	ADJUSTING SPROCKET	STEEL
8	DOG POCKET ASSEMBLY	STEEL
9	SWIVEL GUIDE ASSEMBLY	-
10	DOG ARM	STAINLESS
11	HINGE PIN	STAINLESS
12	HINGE SPRING	STAINLESS
13	BUSHING	NYLON
14	PACKING	GRAPHITE
15	DOG ARM PIN	STAINLESS
16	ROTATING BLOCK ASSEMBLY	STEEL
17	SWIVEL GUIDE	BRASS
18	ADJUSTMENT BUTTON	STEEL
19	SWIVEL GUIDE SPRING	STAINLESS
20	GREASE FITTING	STAINLESS

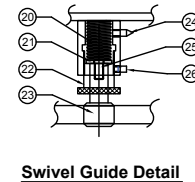
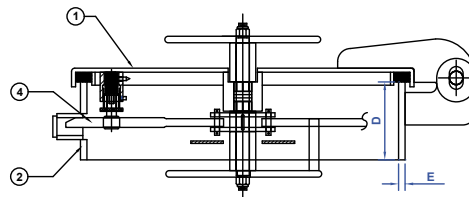
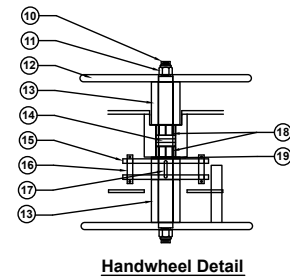
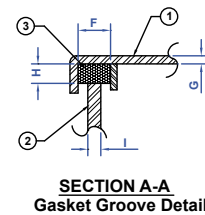
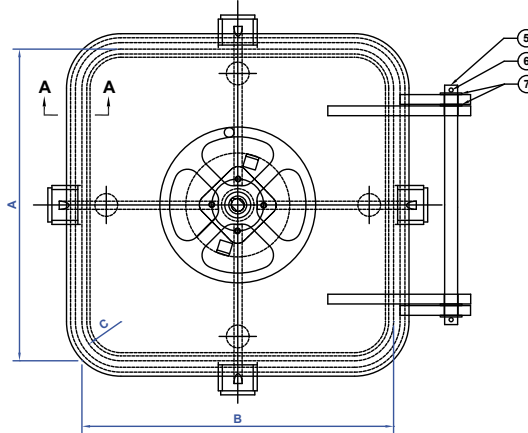
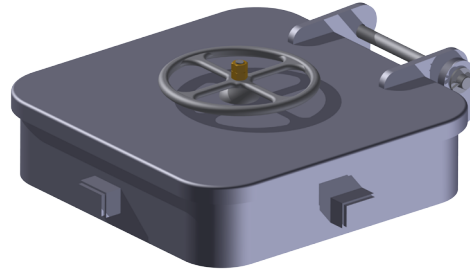
MODEL No.	PART No.	SIZE	A	B	C	D	E	F	G	H	I	WT. (lbs.)
DF-615-2424	100081	24x24	33-11/16"	29-1/4"	24"	24"	3"	24"	1/2"	5/16"	27-1/2"	500
DF-615-3030	100083	30x30	39-11/16"	35-1/4"	30"	30"	3"	24"	1/2"	5/16"	27-1/2"	700
DF-615-3636	100100	36x36	45-11/16"	41-1/4"	36"	36"	3"	24"	1/2"	5/16"	27-1/2"	900

- 1- ADDITIONAL COAMING HEIGHTS AVAILABLE.
- 2- ADDITIONAL OPENING DIMENSIONS AVAILABLE.
- 3- OTHER GASKET MATERIALS AVAILABLE.
- 4- OTHER MATERIAL OPTIONS AVAILABLE.

HATCHES

RAISED WATERTIGHT QUICK ACTING HATCH

No.	DESCRIPTION	MATERIAL
1	HATCH COVER ASSEMBLY	STEEL
2	COAMING ASSEMBLY	STEEL
3	GASKET	NEOPRENE
4	DOG ARM ROD	STAINLESS
5	HINGE PIN	STAINLESS
6	COTTER PIN	STAINLESS
7	FLAT WASHER	BRASS
8	-	-
9	-	-
10	CENTER SHAFT	STAINLESS
11	HEX LOCK NUT	316 SS
12	HANDWHEEL	GALV'D STEEL
13	HANDWHEEL HUB	STEEL
14	PACKING	GRAPHITE
15	ACTUATOR HUB	STEEL
16	DOG ARM PIN	STEEL
17	KEY	STEEL
18	BUSHING	NYLON
19	WASHER	STAINLESS
20	SPRING	STAINLESS
21	SWIVEL GUIDE WASHER	STAINLESS
22	ADJUSTMENT BUTTON	STEEL
23	SWIVEL GUIDE	BRASS
24	GREASE FITTING	STAINLESS
25	SCREW	STAINLESS
26	SET SCREW	STAINLESS



HATCHES

MODEL No.	PART No.	A	B	C	D	E	F	G	H	I	WT. (lbs.)
DF-590-2424	37950	24"	24"	3"	6"	1/2"	1-1/4"	5/16"	1-1/2"	1/2"	400

- 1- ADDITIONAL COAMING HEIGHTS AVAILABLE.
- 2- ADDITIONAL OPENING DIMENSIONS AVAILABLE.
- 3- OTHER GASKET MATERIALS AVAILABLE.



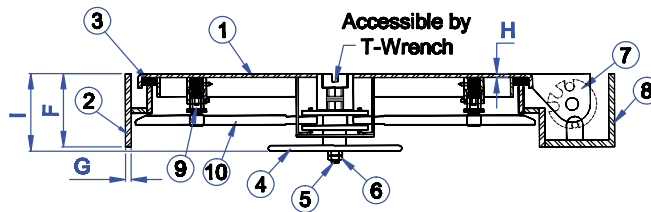
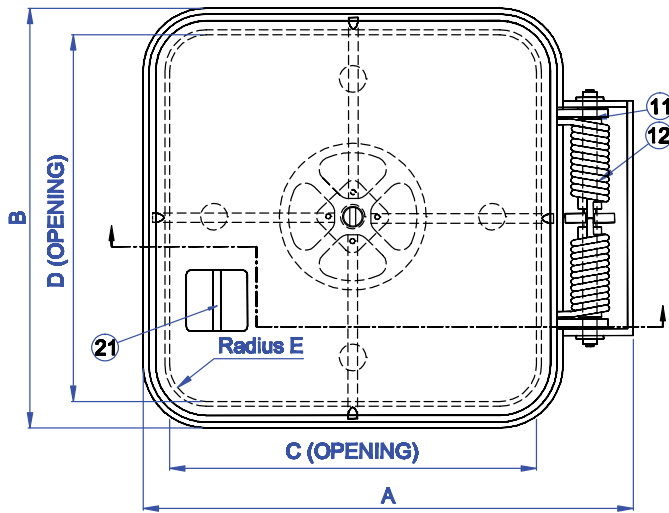
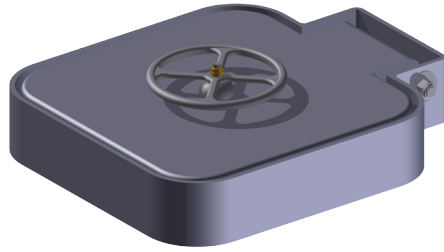
NABRICO

nabrico-marine.com

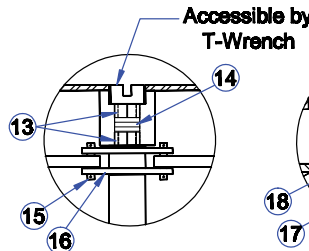
615.442.1300

The specifications and details described by drawings or text in this literature are subject to change without notice.

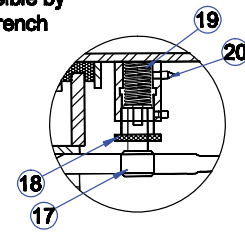
FLUSH WATERTIGHT QUICK ACTING HATCH



No.	DESCRIPTION	MATERIAL
1	HATCH COVER ASSEMBLY	STEEL
2	COAMING ASSEMBLY	STEEL
3	HATCH GASKET	NEOPRENE
4	HANDWHEEL ASSEMBLY	STEEL
5	CENTER SHAFT	STAINLESS
6	JAM NUT	STAINLESS
7	ADJUSTING SPROCKET	STEEL
8	HINGE BOX ASSEMBLY	STEEL
9	SWIVEL GUIDE ASSEMBLY	-
10	DOG ARM	STAINLESS
11	HINGE PIN	STAINLESS
12	HINGE SPRING	STAINLESS
13	BUSHING	NYLON
14	PACKING	GRAPHITE
15	DOG ARM PIN	STAINLESS
16	ROTATING BLOCK ASSEMBLY	STEEL
17	SWIVEL GUIDE	BRASS
18	ADJUSTMENT BUTTON	STEEL
19	SWIVEL GUIDE SPRING	STAINLESS
20	GREASE FITTING	STAINLESS
21	GRAB HANDLE	STEEL



DETAIL OF DOG ARM HINGE AREA

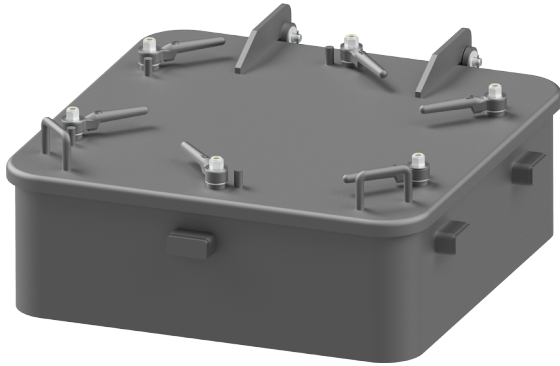


DETAIL OF SWIVEL GUIDE AREA

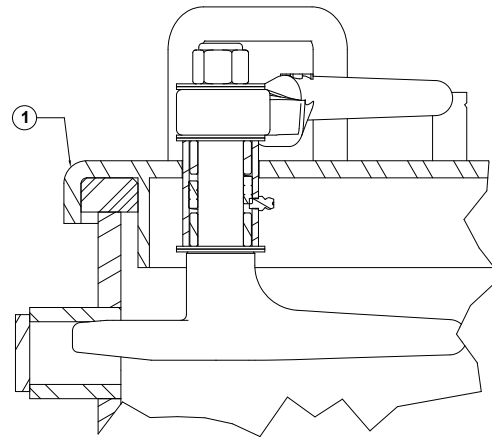
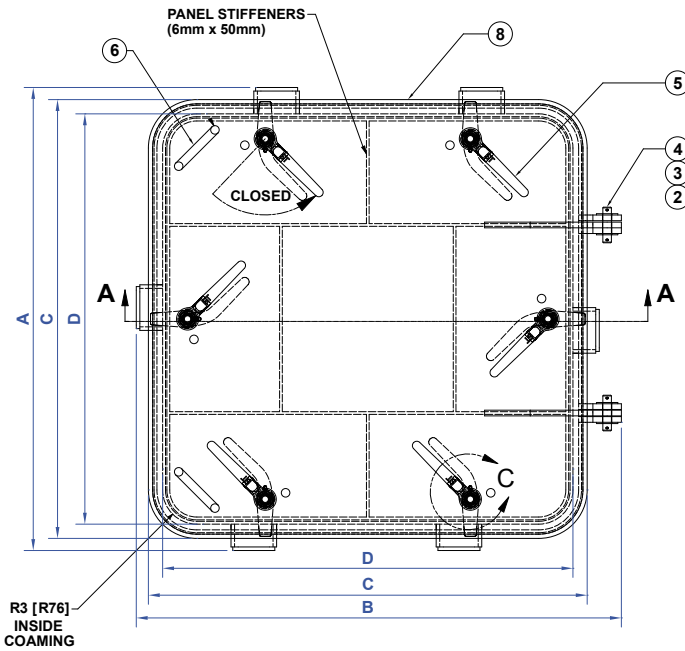
MODEL No.	PART No.	SIZE	A	B	C	D	E	F	G	H	I	WT. (lbs.)
DF-595-2424	93011	24x24	34-1/16"	28-5/16"	24"	24"	3"	4"	1/2"	5/16"	6 3/8"	370
DF-595-3030	93000	30x30	40-1/16"	34-5/16"	30"	30"	3"	6"	1/2"	5/16"	6 3/8"	420

- 1- ADDITIONAL COAMING HEIGHTS AVAILABLE.
- 2- ADDITIONAL OPENING DIMENSIONS AVAILABLE.
- 3- OTHER GASKET MATERIALS AVAILABLE.

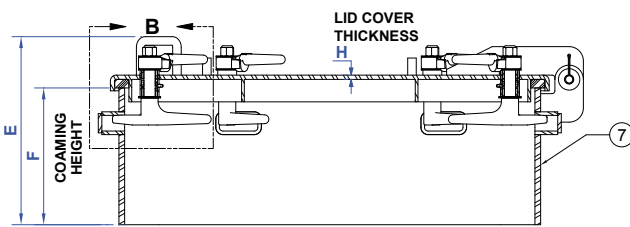
RAISED WATERTIGHT FIXED DOG HATCH



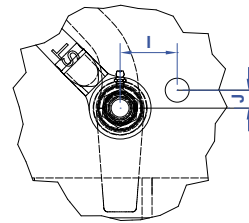
No.	DESCRIPTION	MATERIAL
1	GASKET	NEOPRENE
2	FLAT WASHER	STAINLESS
3	COTTER PIN	STAINLESS
4	CLEVIS PIN	STAINLESS
5	DOOR DOG ASSEMBLY (LH)	-
6	GRAB HANDLE	STEEL
7	COAMING ASSEMBLY	STEEL
8	LID ASSEMBLY	STEEL



DETAIL B
SCALE 1'-0" = 2'-6"



SECTION A-A
SCALE 1" = 7"



DETAIL C
SCALE 1'-0" = 2'-6"

HATCHES

MODEL No.	PART No.	A	B	C	D	E	F	G	H	I	J	WT. (lbs)
DF-608	60805	40-5/8"	42-9/16"	38-1/2"	36"	16-1/2"	12"	1/2"	3/8"	1-25/32"	9/16"	524

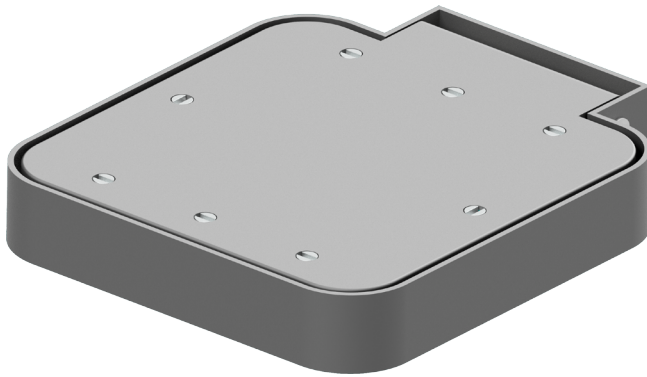

NABRICO

nabrico-marine.com

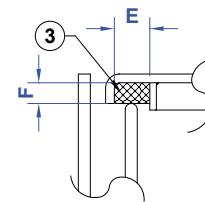
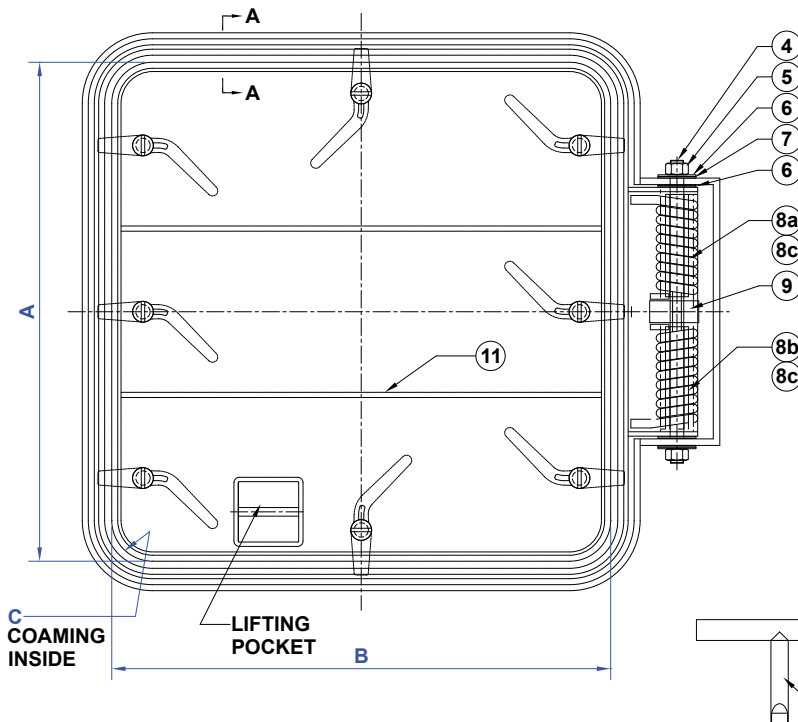
615.442.1300

The specifications and details described by drawings or text in this literature are subject to change without notice.

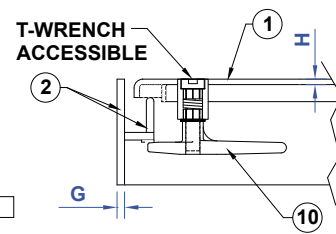
FLUSH WATERTIGHT FIXED DOG HATCH



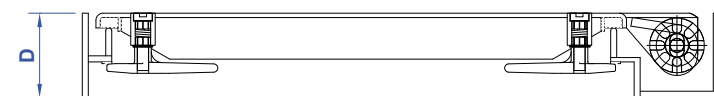
No.	DESCRIPTION	MATERIAL
1	HATCH COVER ASSEMBLY	STEEL
2	COAMING ASSEMBLY	STEEL
3	HATCH GASKET	NEOPRENE
4	HINGE PIN	STAINLESS
5	HEX NUT	316SS
6	FLAT WASHER	STAINLESS
7	FLAT GASKET WASHER	NEOPRENE
8a	HINGE SPRING (RH) 13 TURNS	STAINLESS
8b	HINGE SPRING (LH) 13 TURNS	STAINLESS
8c	SPRING TUBE	STAINLESS
9	ADJUSTING SPROCKET	GALV'D STEEL
10	DOG HANDLE ASS'Y (RH)	STEEL
11	STIFFENER 3" X 3/8" PL	STEEL
12	T-HANDLE WRENCH	GALV'D STEEL



SECTION A-A
GASKET GROOVE DETAIL



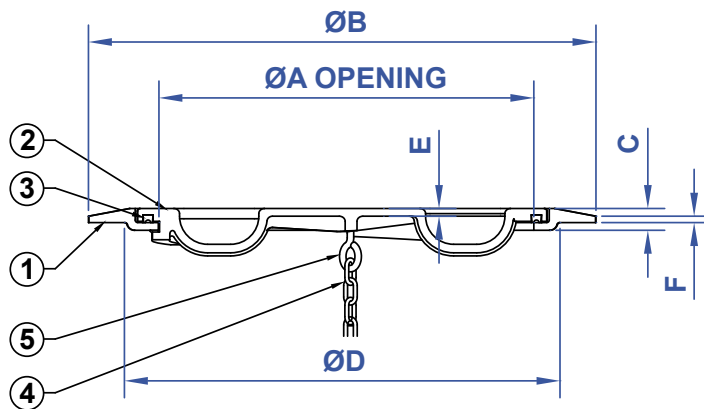
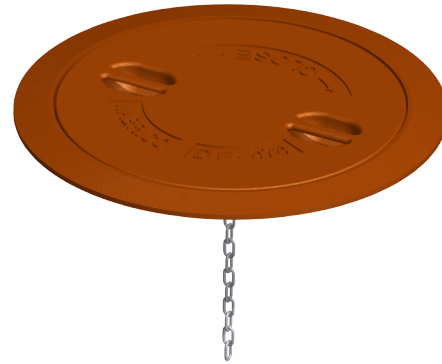
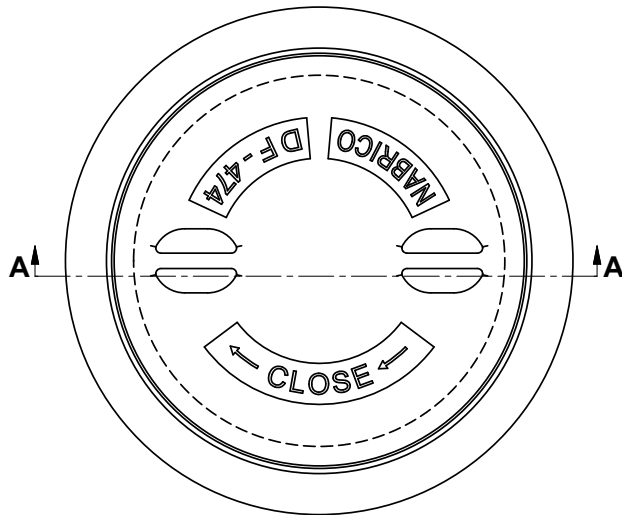
DOG HANDLE DETAIL



MODEL No.	A	B	C	D	E	F	G	H
DF-609	36"	36"	3"	6"	2-1/2"	1-1/2"	1/2"	3/8"

HATCHES

DF-474 TWIST LOCK HATCH



PIECE No.	DESCRIPTION	QTY	MATERIAL	PART No.
1	DECK RING	1	CAST STEEL	82325
2	HATCH COVER	1	CAST STEEL	82333
3	GASKET	1	NEOPRENE	82341
4	KEEPER CHAIN (GALV'D) 3/16" X 2'-6"	1	GALVANIZED	92798
5	EYE BOLT	1	ZINC PLATED	82334

MODEL No.	PART No.	SIZE	ØA	ØB	C	ØD	E	F	WT. (lbs.)
DF-474	82317	18"	18-3/4"	24-3/4"	1-1/16"	21-1/4"	3/8"	5/16"	80

1- OTHER GASKET MATERIAL AVAILABLE.

HATCHES

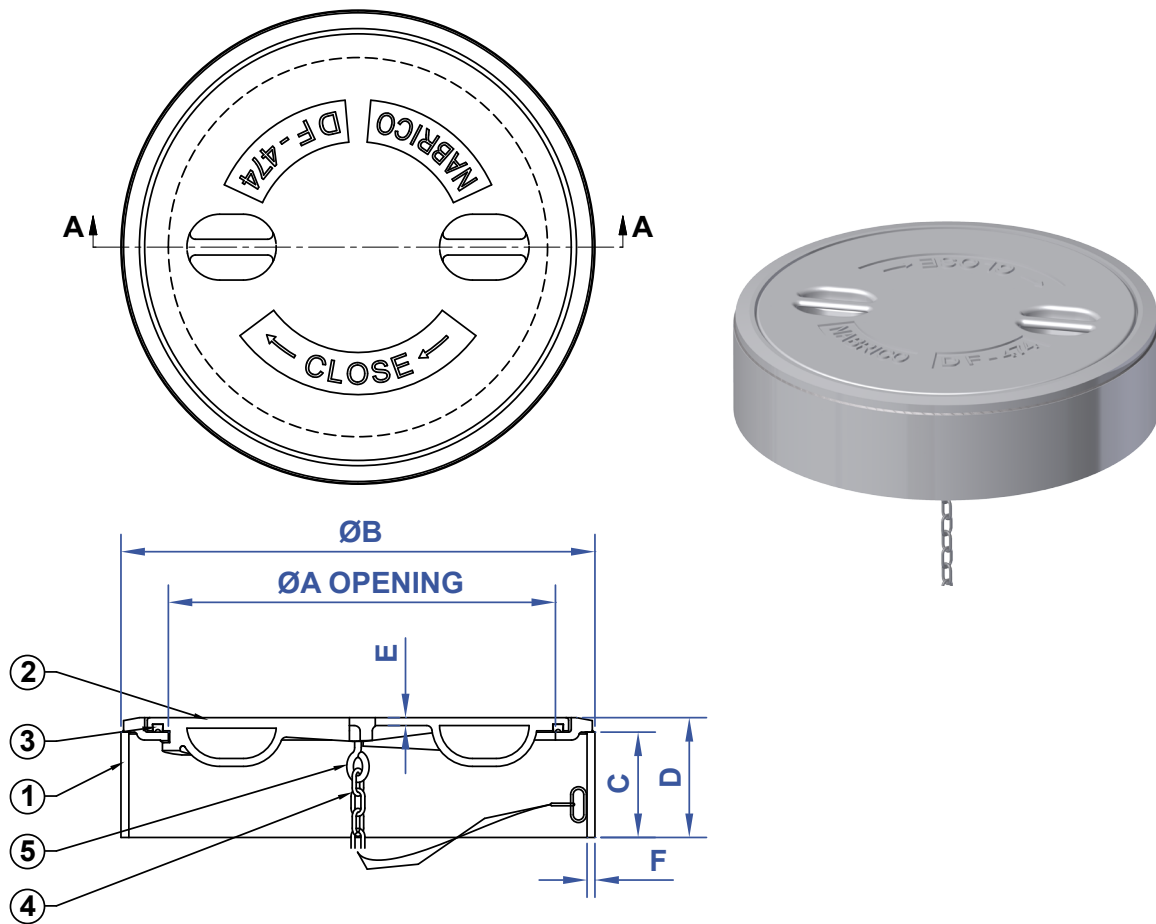


nabrigo-marine.com

615.442.1300

The specifications and details described by drawings or text in this literature are subject to change without notice.

DF-474-5 TWIST LOCK HATCH



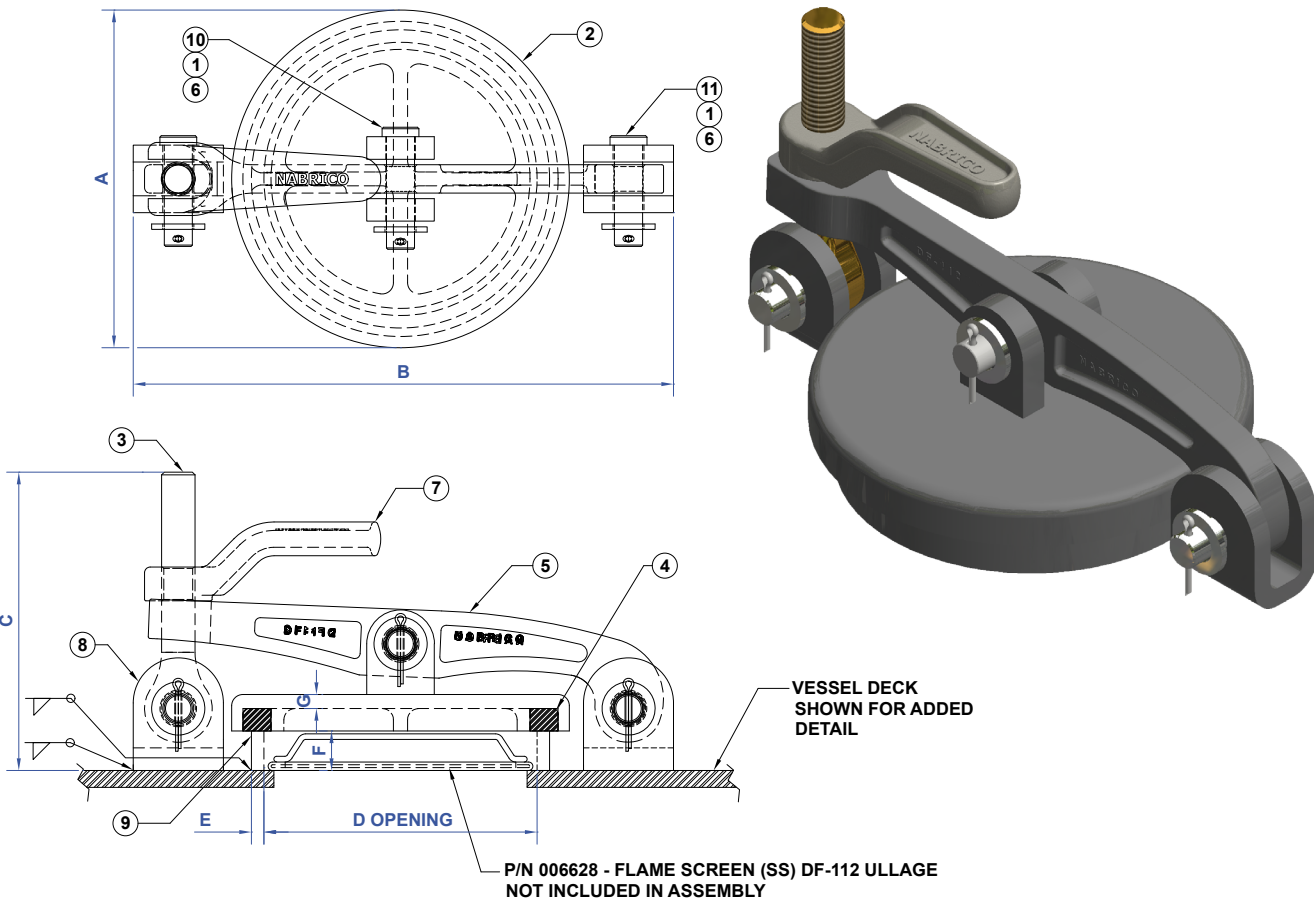
PIECE No.	DESCRIPTION	QTY	MATERIAL	PART No.
1	COAMING ASSEMBLY	1	MILD STEEL	82324
2	HATCH COVER	1	CAST STEEL	82333
3	GASKET	1	NEOPRENE	82341
4	KEEPER CHAIN (GALV'D) 3/16" X 2'-6"	1	GALVANIZED	92798
5	EYE BOLT	1	ZINC PLATED	82334

MODEL No.	PART No.	SIZE	ØA	ØB	C	D	E	F	WT. (lbs.)
DF-474-5	82320	18"	18-3/4"	22-1/2"	5"	5-11/16"	3/8"	3/8"	105

1- OTHER GASKET MATERIAL AVAILABLE.

HATCHES

SINGLE DOG ULLAGE HATCH



PIECE No.	DESCRIPTION	MILD STEEL PART No.	MATERIAL	STAINLESS STEEL PART No.	MATERIAL
1	COVER ASSY	89886	STEEL	89885	STAINLESS
2	COAMING ASSY	11221	STEEL	11222	STAINLESS
3	GASKET	17169	NEOPRENE	17169	NEOPRENE
4	DOG HANDLE	74837	IRON	74838	GALV'D IRON
5	TUMBLE BOLT	10774	BRASS	87939	STAINLESS
6	CLEVIS PIN	92771	STAINLESS	92771	STAINLESS
7	FLAME SCREEN	6628	STAINLESS	6628	STAINLESS

MODEL No.	PART No.	SIZE	A	B	C	D	E	F	G	WT. (LBS)
DF-112	6646	6"	7-1/2"	12"	6-5/8"	6-1/16"	9/32"	7/8"	5/16"	15

1- GASKET INCLUDED WITH COVER ASSEMBLY.
2- OTHER GASKET MATERIALS AVAILABLE.

3- TUMBLE BOLT ALSO AVAILABLE AS STAINLESS.
4- DOG HANDLE ALSO AVAILABLE AS SS, GALV'D OR BRONZE.

OTHER OPTIONAL EXTRAS INCLUDE: HOT DIPPED GALVANIZED, STAINLESS STEEL CONSTRUCTION AND CUSTOM COAMING HEIGHTS

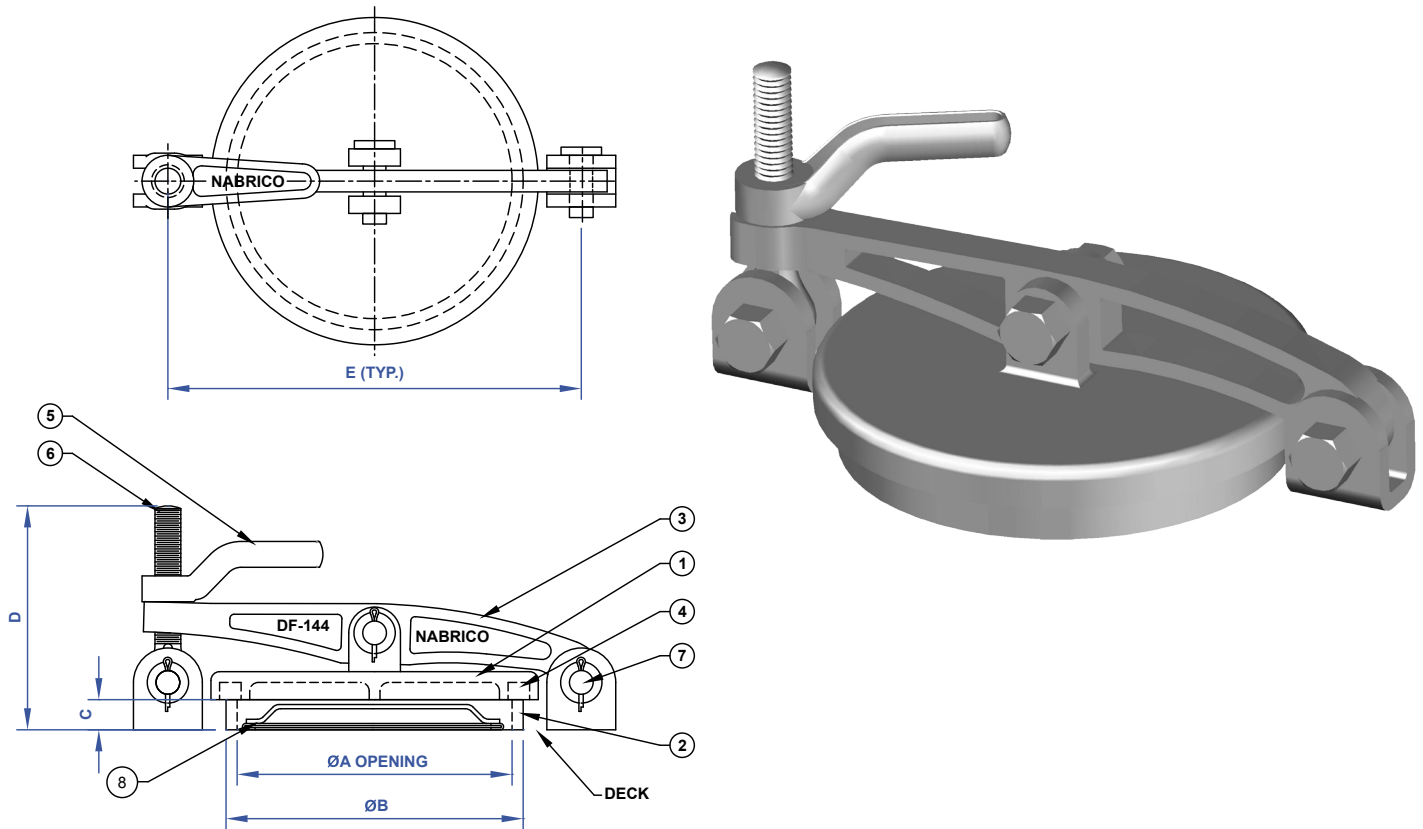
HATCHES

nabrico-marine.com

615.442.1300

The specifications and details described by drawings or text in this literature are subject to change without notice.

SINGLE DOG ULLAGE HATCH



PIECE No.	DESCRIPTION	MILD STEEL PART No.	MATERIAL	STAINLESS STEEL PART No.	MATERIAL
1	COVER ASSY	6637	STEEL	6638	STAINLESS
2	COAMING RING	75671	STEEL	75677	STAINLESS
3	ULLAGE ARM	6831	STEEL	6832	STAINLESS
4	GASKET	17167	NEOPRENE	17167	NEOPRENE
5	DOG HANDLE	74837	IRON	74838	GALV'D IRON
6	TUMBLE BOLT	10774	BRASS	87939	STAINLESS
7	CLEVIS PIN	92771	STAINLESS	92771	STAINLESS
8	FLAME SCREEN	6629	STAINLESS	6629	STAINLESS

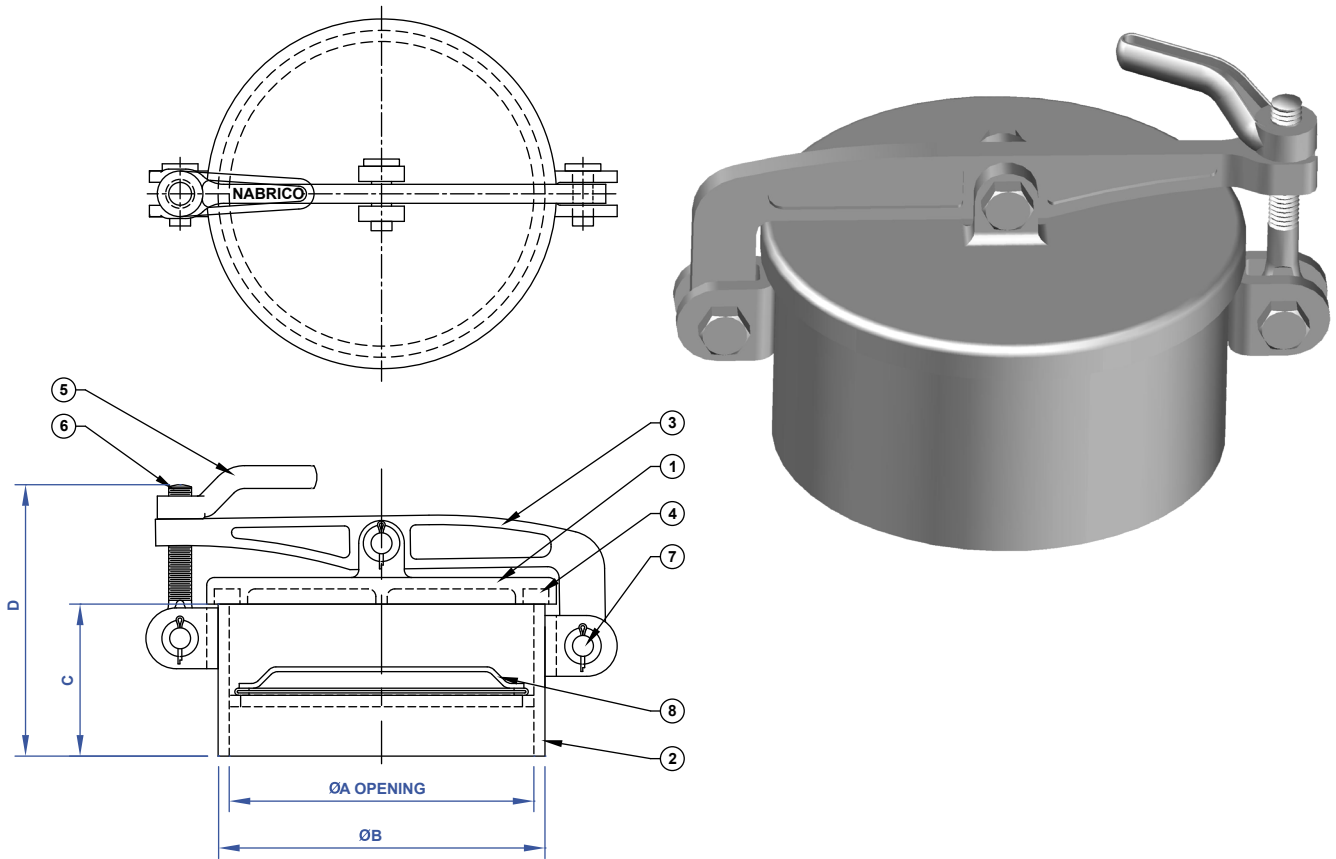
MODEL No.	PART No.	SIZE	ØA	ØB	C	D	E	WT. (LBS)
DF-144-MS	6645	8"	8"	8-5/8"	7/8"	6-1/2"	12"	22
DF-144-SS	6654	8"	8"	8-5/8"	7/8"	6-1/2"	12"	22

1- GASKET INCLUDED WITH COVER ASSEMBLY.
2- OTHER GASKET MATERIALS AVAILABLE.

3- TUMBLE BOLT ALSO AVAILABLE AS STAINLESS.
4- DOG HANDLE ALSO AVAILABLE AS SS, GALV'D OR BRONZE.

OTHER OPTIONAL EXTRAS INCLUDE: HOT DIPPED GALVANIZED, STAINLESS STEEL CONSTRUCTION AND CUSTOM COAMING HEIGHTS

SINGLE DOG ULLAGE HATCH



PIECE No.	DESCRIPTION	MILD STEEL PART No.	MATERIAL	STAINLESS STEEL PART No.	MATERIAL
1	COVER ASSY	83062	STEEL	83093	STAINLESS
2	COAMING ASSY	18515	STEEL	19517	STAINLESS
3	ULLAGE ARM	19461	STEEL	6834	STAINLESS
4	GASKET	82449	NEOPRENE	82449	NEOPRENE
5	DOG HANDLE	74837	IRON	74838	GALV'D IRON
6	TUMBLE BOLT	10774	BRASS	87939	STAINLESS
7	CLEVIS PIN	92771	STAINLESS	92771	STAINLESS
8	FLAME SCREEN	19496	STAINLESS	19496	STAINLESS

MODEL No.	PART No.	SIZE	ØA	ØB	C	D	WT. (LBS)
DF-569-5-MS	83097	10"	10"	10-3/4"	5"	9"	40
DF-569-5-SS	83096	10"	10"	10-3/4"	5"	9"	40

1- GASKET INCLUDED WITH COVER ASSEMBLY.
2- OTHER GASKET MATERIALS AVAILABLE.

3- TUMBLE BOLT ALSO AVAILABLE AS STAINLESS.
4- DOG HANDLE ALSO AVAILABLE AS SS, GALV'D OR BRONZE.

OTHER OPTIONAL EXTRAS INCLUDE: HOT DIPPED GALVANIZED, STAINLESS STEEL CONSTRUCTION AND CUSTOM COAMING HEIGHTS

HATCHES

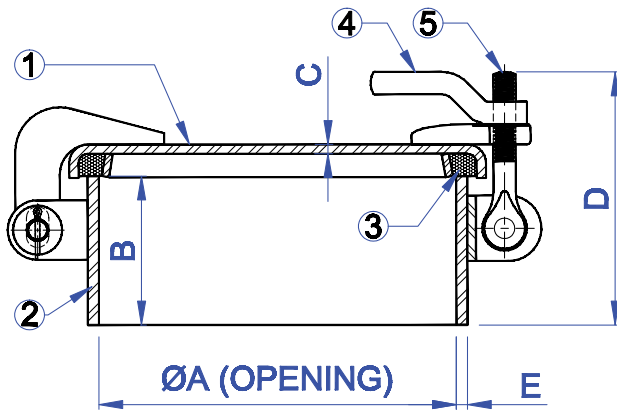
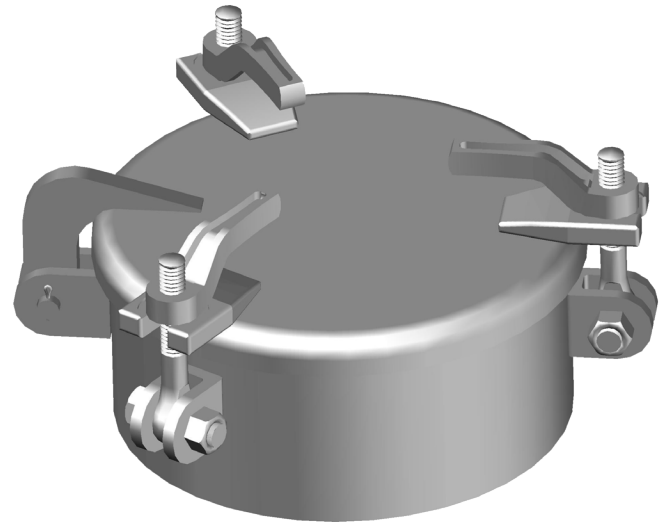
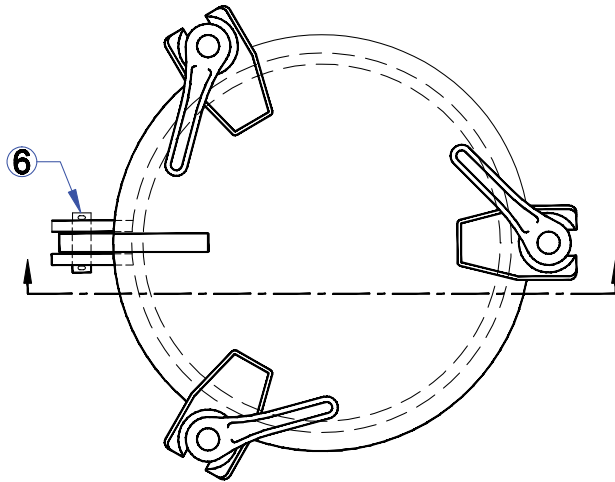
NABRICO

nabrico-marine.com

615.442.1300

The specifications and details described by drawings or text in this literature are subject to change without notice.

3 DOG RAISED WATERTIGHT HATCH



PIECE No.	DESCRIPTION	PART No.	MATERIAL
1	COVER ASSEMBLY	77909	STEEL
2	COAMING ASSEMBLY	76156	STEEL
3	GASKET	75981	NEOPRENE
4	DOG HANDLE	74837	IRON
5	TUMBLE BOLT	10774	BRONZE
6	HINGE PIN ASSEMBLY	76067	STAINLESS

MODEL No.	PART No.	SIZE	ØA	ØB	C	D	E	WT. (lbs.)
DF-456-5	75965	12"	12"	5"	5/16"	8-5/8"	3/8"	55

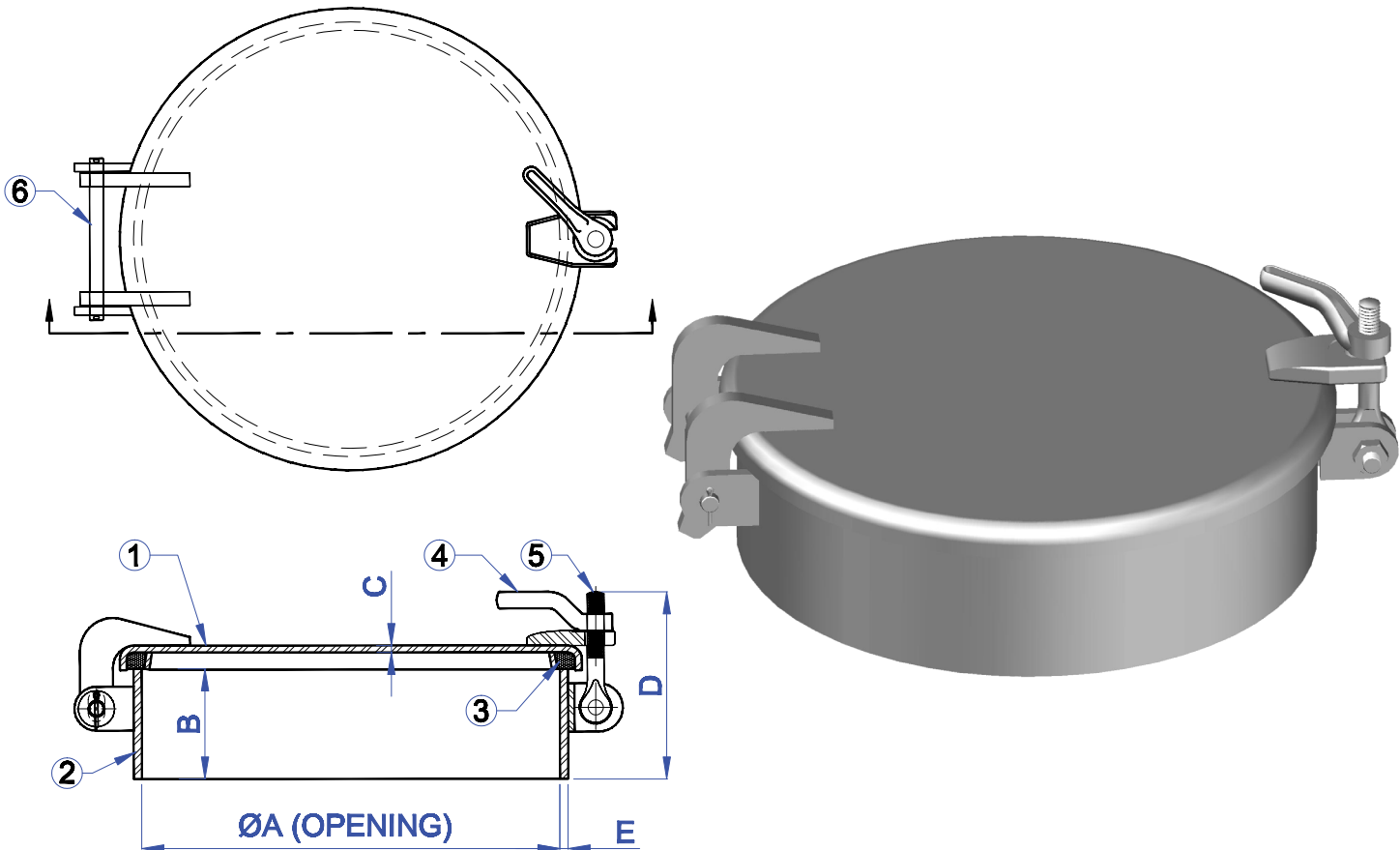
1- GASKET INCLUDED WITH COVER ASSEMBLY.
2- OTHER GASKET MATERIALS AVAILABLE.

3- TUMBLE BOLTS ALSO AVAILABLE IN STAINLESS.
4- DOG HANDLES ALSO AVAILABLE IN SS, GALV'D OR BRONZE.

OTHER OPTIONAL EXTRAS INCLUDE: HOT DIPPED GALVANIZED, STAINLESS STEEL CONSTRUCTION, FLAME SCREENS AND CUSTOM COAMING HEIGHTS

HATCHES

SINGLE DOG RAISED WATERTIGHT HATCH



PIECE No.	DESCRIPTION	PART No.	MATERIAL
1	COVER ASSEMBLY	77900	STEEL
2	COAMING ASSEMBLY	75030	STEEL
3	GASKET	74497	NEOPRENE
4	DOG HANDLE	74837	IRON
5	TUMBLE BOLT	10774	BRONZE
6	HINGE PIN ASSEMBLY	75077	STAINLESS

MODEL No.	PART No.	SIZE	ØA	B	C	D	E	WT. (lbs.)
DF-543-5	21598	19"	19"	5"	5/16"	8-5/8"	3/8"	80

- 1- GASKET INCLUDED WITH COVER ASSEMBLY. 3- TUMBLE BOLT ALSO AVAILABLE AS STAINLESS.
 2- OTHER GASKET MATERIALS AVAILABLE. 4- DOG HANDLE ALSO AVAILABLE AS SS, GALV'D OR BRONZE.

OTHER OPTIONAL EXTRAS INCLUDE: HOT DIPPED GALVANIZED, STAINLESS STEEL CONSTRUCTION AND CUSTOM COAMING HEIGHTS.

HATCHES



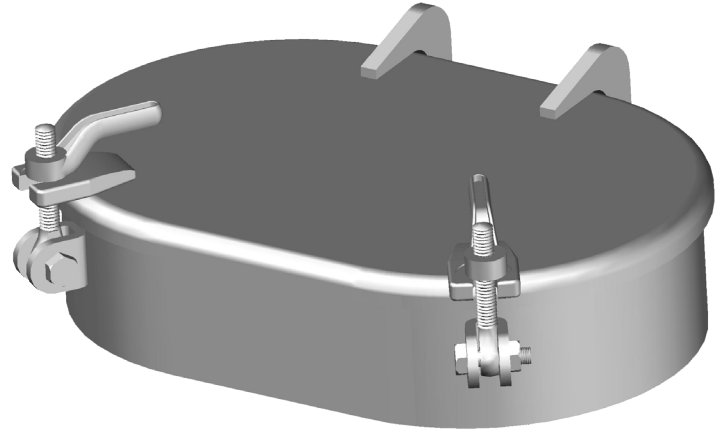
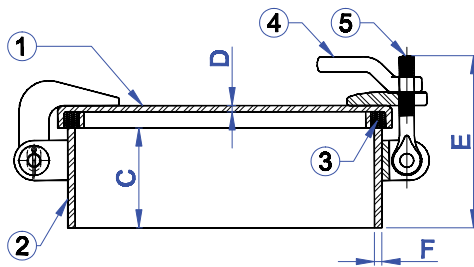
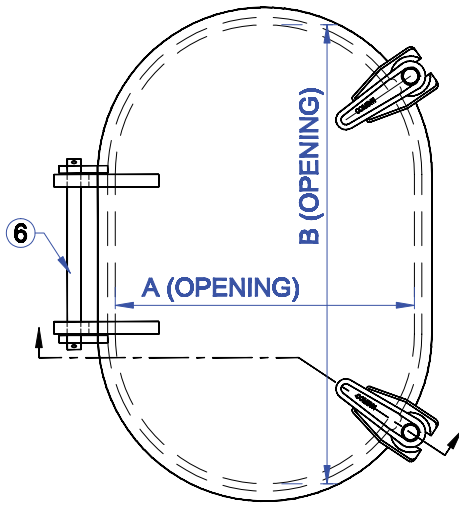
NABRICO

nabrico-marine.com

615.442.1300

The specifications and details described by drawings or text in this literature are subject to change without notice.

2 DOG RAISED WATERTIGHT HATCH



PIECE No.	DESCRIPTION	PART No.	MATERIAL
1	COVER ASSEMBLY	89550	STEEL
2	COAMING ASSEMBLY	74099	STEEL
3	GASKET	74497	NEOPRENE
4	DOG HANDLE	74837	IRON
5	TUMBLE BOLT	10774	BRONZE
6	HINGE PIN ASSEMBLY	73999	STAINLESS

MODEL No.	PART No.	SIZE	A	B	C	D	E	F	WT. (lbs.)
DF-274-5	89559	15x23	15"	23"	5"	5/16"	8-5/8"	3/8"	90

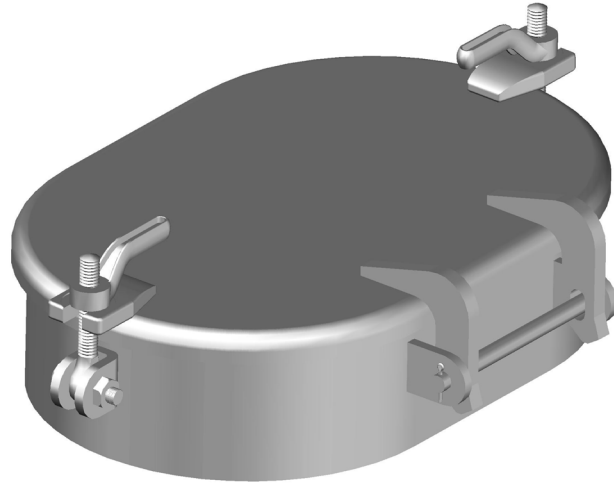
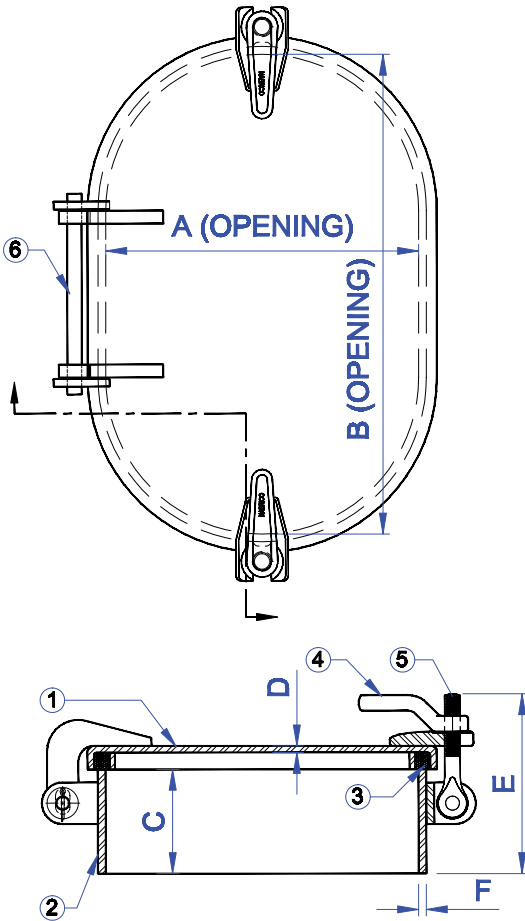
1- GASKET INCLUDED WITH COVER ASSEMBLY.
2- OTHER GASKET MATERIALS AVAILABLE.

3- TUMBLE BOLTS ALSO AVAILABLE IN STAINLESS.
4- DOG HANDLES ALSO AVAILABLE IN SS, GALV'D OR BRONZE.

OTHER OPTIONAL EXTRAS INCLUDE: HOT DIPPED GALVANIZED, STAINLESS STEEL CONSTRUCTION, FLAME SCREENS AND CUSTOM COAMING HEIGHTS.

HATCHES

2 DOG RAISED WATERTIGHT HATCH



PIECE No.	DESCRIPTION	PART No.	MATERIAL
1	COVER ASSEMBLY	73148	STEEL
2	COAMING ASSEMBLY	74100	STEEL
3	GASKET	74497	NEOPRENE
4	DOG HANDLE	85236	STAINLESS W/ GREASE FITTING
5	TUMBLE BOLT	87939	STAINLESS
6	HINGE PIN ASSEMBLY	73999	STAINLESS

MODEL No.	PART No.	SIZE	A	B	C	D	E	F	WT. (lbs.)
DF-774-5	72483	15x23	15"	23"	5"	5/16"	8-5/8"	3/8"	90

- 1- GASKET INCLUDED WITH COVER ASSEMBLY.
- 2- OTHER GASKET MATERIALS AVAILABLE.

- 3- TUMBLE BOLT ALSO AVAILABLE IN STAINLESS.
- 4- DOG HANDLE ALSO AVAILABLE IN SS, GALV'D OR BRONZE.

OTHER OPTIONAL EXTRAS INCLUDE: HOT DIPPED GALVANIZED, STAINLESS STEEL CONSTRUCTION, FLAME SCREENS AND CUSTOM COAMING HEIGHTS.

HATCHES



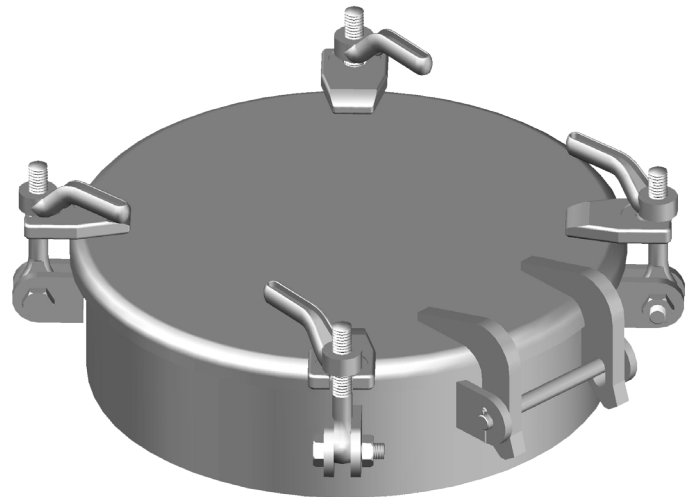
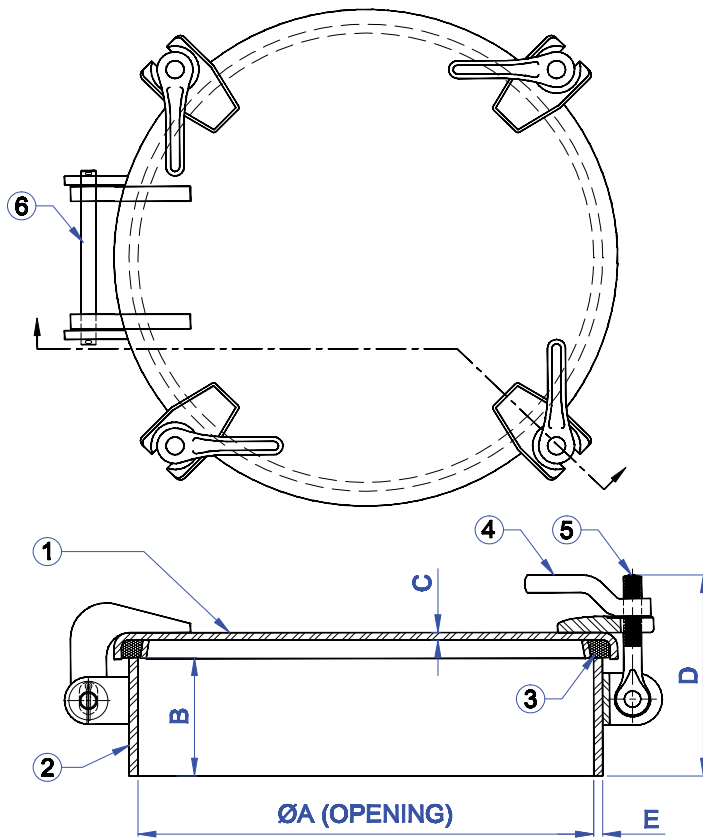
NABRICO

nabrico-marine.com

615.442.1300

The specifications and details described by drawings or text in this literature are subject to change without notice.

4 DOG RAISED WATERTIGHT HATCH



PIECE No.	DESCRIPTION	PART No.	MATERIAL
1	COVER ASSEMBLY	77895	STEEL
2	COAMING ASSEMBLY	75026	STEEL
3	GASKET	74497	NEOPRENE
4	DOG HANDLE	74837	IRON
5	TUMBLE BOLT	10774	BRONZE
6	HINGE PIN ASSEMBLY	75077	STAINLESS

MODEL No.	PART No.	SIZE	ØA	B	C	D	E	WT. (lbs.)
DF-343-5	74950	19"	19"	5"	5/16"	8-5/8"	3/8"	90

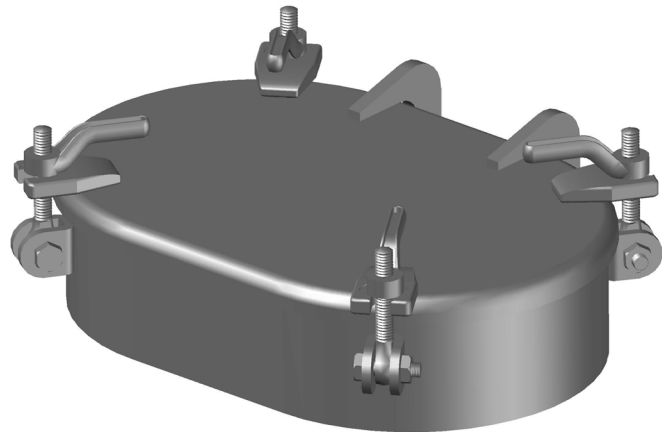
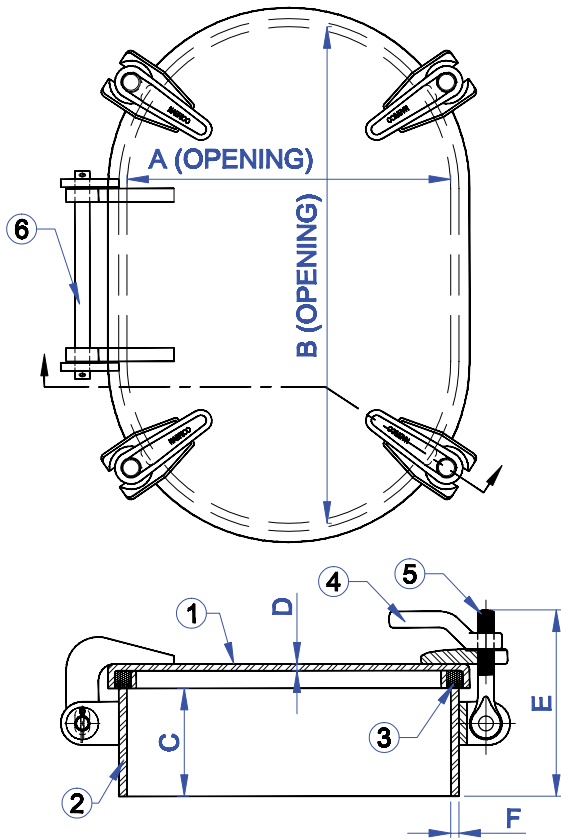
1- GASKET INCLUDED WITH COVER ASSEMBLY.
2- OTHER GASKET MATERIALS AVAILABLE.

3- TUMBLE BOLTS ALSO AVAILABLE IN STAINLESS.
4- DOG HANDLES ALSO AVAILABLE IN SS, GALV'D OR BRONZE.

OTHER OPTIONAL EXTRAS INCLUDE: HOT DIPPED GALVANIZED, STAINLESS STEEL CONSTRUCTION, FLAME SCREENS AND CUSTOM COAMING HEIGHTS.

HATCHES

4 DOG RAISED WATERTIGHT HATCH



PIECE No.	DESCRIPTION	PART No.		MATERIAL
		DF-174-5	DF-464-5	
1	COVER ASSEMBLY	77887	78484	STEEL
2	COAMING ASSEMBLY	74897	19551	STEEL
3	GASKET	74497	78530	NEOPRENE
4	DOG HANDLE	74837		IRON
5	TUMBLE BOLT	10774		BRONZE
6	HINGE PIN ASSEMBLY	73999	75077	STAINLESS

MODEL No.	PART No.	SIZE	A	B	C	D	E	F	WT. (lbs.)
DF-174-5	72451	15x23	15"	23"	5"	5/16"	8-5/8"	3/8"	95
DF-464-5	78514	18x24	18-1/4"	24-1/4"	5"	5/16"	8-5/8"	3/8"	105

1- GASKET INCLUDED WITH COVER ASSEMBLY.
2- OTHER GASKET MATERIALS AVAILABLE.

3- TUMBLE BOLTS ALSO AVAILABLE IN STAINLESS.
4- DOG HANDLES ALSO AVAILABLE IN SS, GALV'D OR BRONZE.

OTHER OPTIONAL EXTRAS INCLUDE: HOT DIPPED GALVANIZED, STAINLESS STEEL CONSTRUCTION, FLAME SCREENS AND CUSTOM COAMING HEIGHTS.

HATCHES



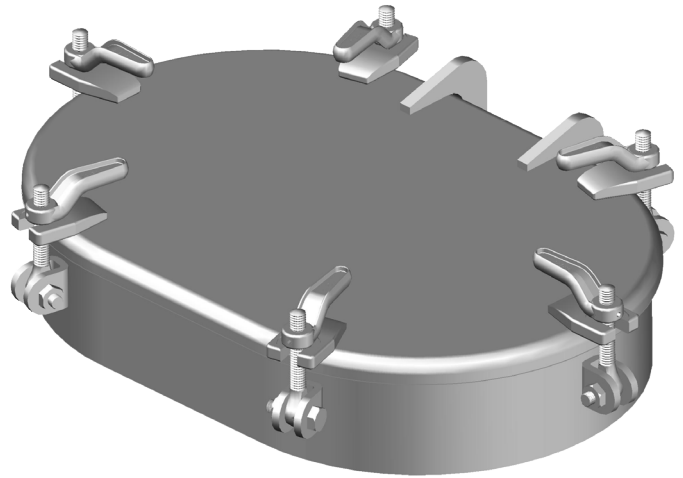
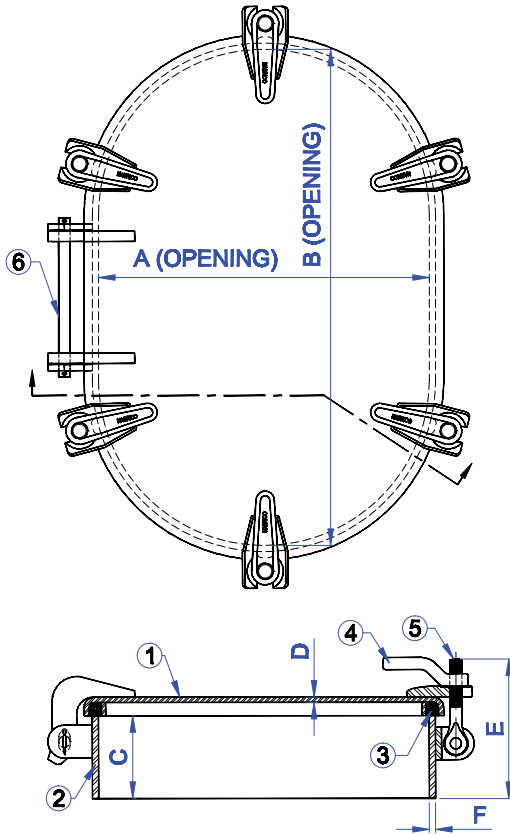
NABRICO

nabrico-marine.com

615.442.1300

The specifications and details described by drawings or text in this literature are subject to change without notice.

6 DOG RAISED WATERTIGHT HATCH



PIECE No.	DESCRIPTION	PART No.	MATERIAL
1	COVER ASSEMBLY	78478	STEEL
2	COAMING ASSEMBLY	78476	STEEL
3	GASKET	78479	NEOPRENE
4	DOG HANDLE	74837	IRON
5	TUMBLE BOLT	10774	BRONZE
6	HINGE PIN ASSEMBLY	78475	STAINLESS

MODEL No.	PART No.	SIZE	A	B	C	D	E	F	WT. (lbs.)
DF-686-5	78480	20x30	20"	30"	5"	5/16"	8-5/8"	3/8"	115

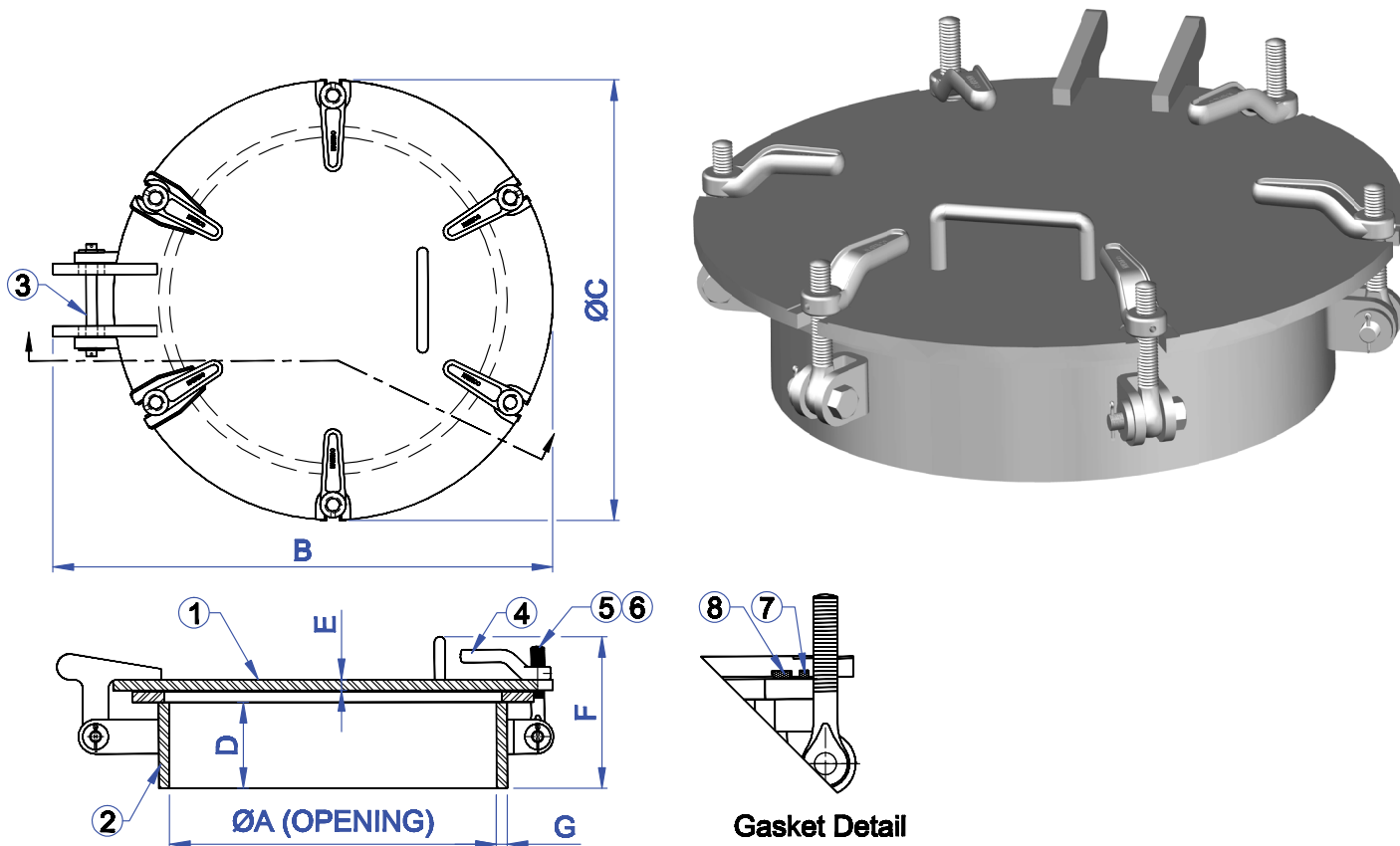
1- GASKET INCLUDED WITH COVER ASSEMBLY.
2- OTHER GASKET MATERIALS AVAILABLE.

3- TUMBLE BOLTS ALSO AVAILABLE IN STAINLESS.
4- DOG HANDLES ALSO AVAILABLE IN SS, GALV'D OR BRONZE.

OTHER OPTIONAL EXTRAS INCLUDE: HOT DIPPED GALVANIZED, STAINLESS STEEL CONSTRUCTION, FLAME SCREENS AND CUSTOM COAMING HEIGHTS.

HATCHES

6 DOG RAISED (6 PSI) ROUND HATCH



PIECE No.	DESCRIPTION	PART No.	MATERIAL
1	COVER ASSEMBLY	21211	STAINLESS
2	COAMING ASSEMBLY	21212	STAINLESS
3	HINGE PIN ASSEMBLY	21217	STAINLESS
4	DOG HANDLE W/ GREASE FITTING	74838	GALVANIZED
5	TUMBLE BOLT (QTY-4)	87939	STAINLESS
6	TUMBLE BOLT (QTY-2)	87938	STAINLESS
7	OUTER GASKET	21808*	VITON
8	INNER GASKET	21809*	TEFLON

MODEL No.	PART No.	SIZE	ØA	B	ØC	D	E	F	G	WT. (lbs.)
DF-346-5	21158	19"	19"	29"	25-5/8"	5"	5/8"	8-13/16"	5/8"	200

* Gasket sold separately from hatch.

HATCHES



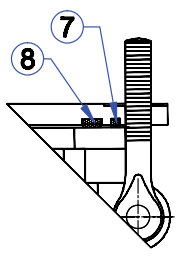
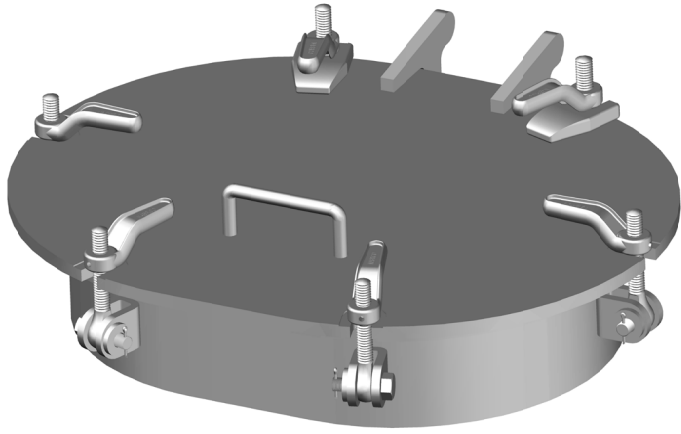
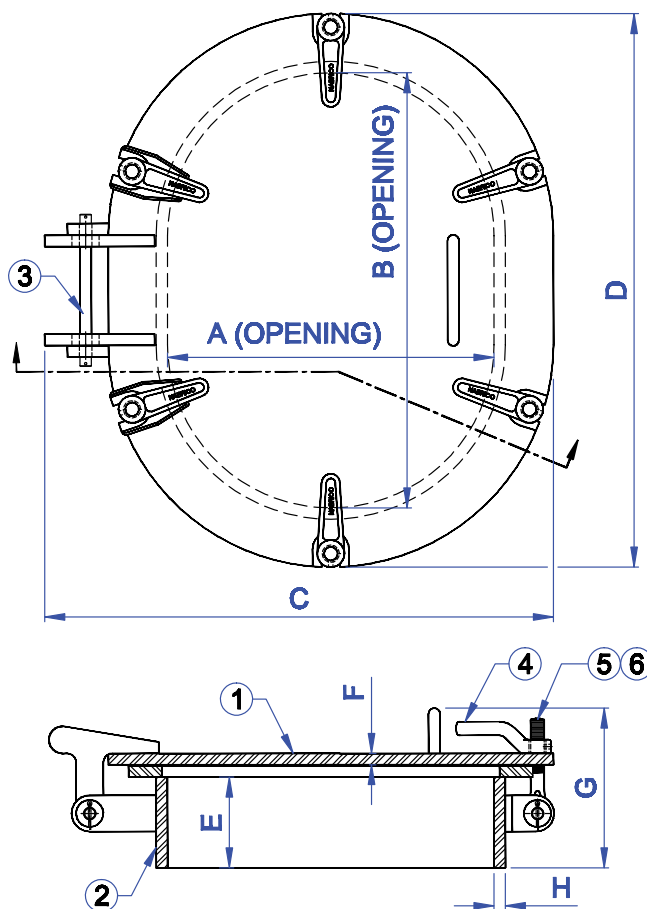
NABRICO

nabrico-marine.com

615.442.1300

The specifications and details described by drawings or text in this literature are subject to change without notice.

6 DOG RAISED (6 PSI) OVAL HATCH



Gasket Detail

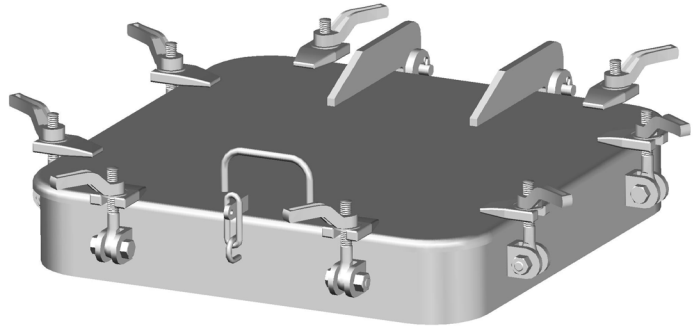
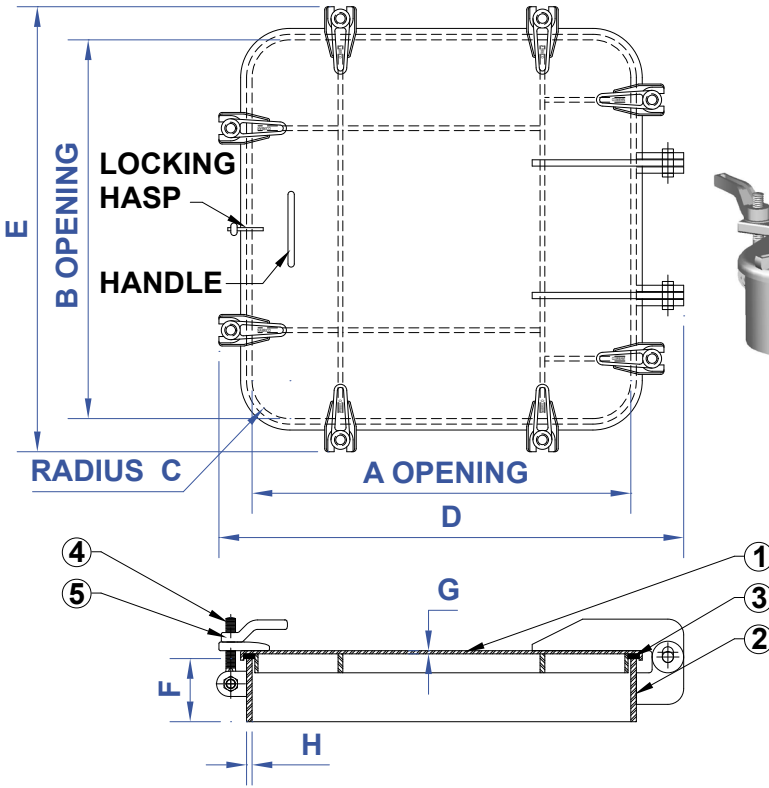
PIECE No.	DESCRIPTION	PART No.	MATERIAL
1	COVER ASSEMBLY	21213	STAINLESS
2	COAMING ASSEMBLY	21214	STAINLESS
3	HINGE PIN ASSEMBLY	21218	STAINLESS
4	DOG HANDLE W/ GREASE FITTING	74838	GALVANIZED
5	TUMBLE BOLT (QTY-4)	87939	STAINLESS
6	TUMBLE BOLT (QTY-2)	87938	STAINLESS
7	OUTER GASKET	21810*	VITON
8	INNER GASKET	21811*	TEFLON

MODEL No.	PART No.	SIZE	A	B	C	D	E	F	G	H	WT. (lbs.)
DF-466-5	21157	18x24	18"	24"	28"	30-1/2"	5"	5/8"	8-13/16"	5/8"	250

* Gasket sold separately from hatch.

HATCHES

8 DOG RAISED WATERTIGHT HATCH



PIECE No.	DESCRIPTION	QTY	PART No.	MATERIAL
1	COVER ASSEMBLY	1	73974	STEEL
2	COAMING ASSEMBLY	1	73976	STEEL
3	GASKET	1	87760	NEOPRENE
4	TUMBLE BOLT	8	10774	BRASS
5	DOG HANDLE	8	17744	BRASS

MODEL No.	PART No.	SIZE	A	B	C	D	E	F	G	H	WT. (lbs.)
DF-475-5	87742	30x30	30"	30"	3"	36-3/4"	35-1/4"	5"	1/4"	7/16"	220

1- GASKET INCLUDED WITH COVER ASSEMBLY.
2- OTHER GASKET MATERIALS AVAILABLE.

3- TUMBLE BOLTS ALSO AVAILABLE IN STAINLESS.
4- DOG HANDLES ALSO AVAILABLE IN SS, GALV'D OR BRONZE.

OTHER OPTIONAL EXTRAS INCLUDE: HOT DIPPED GALVANIZED, STAINLESS STEEL CONSTRUCTION, FLAME SCREENS AND CUSTOM COAMING HEIGHTS.

HATCHES

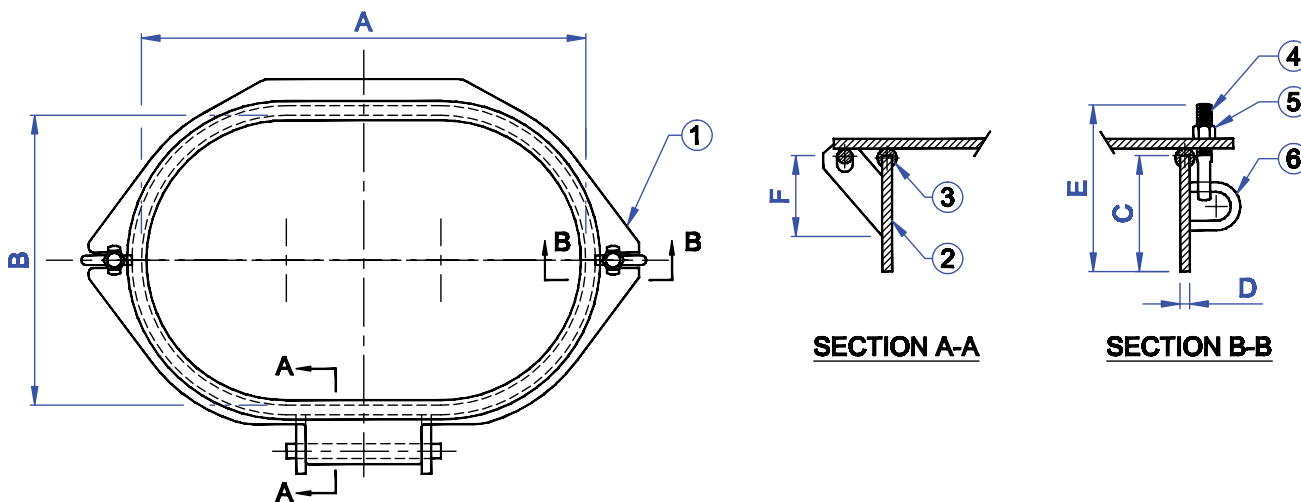
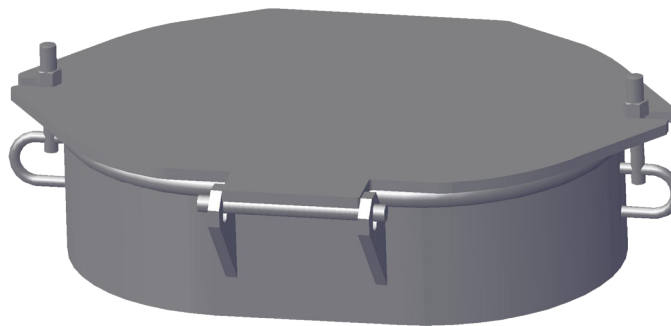


nabrico-marine.com

615.442.1300

The specifications and details described by drawings or text in this literature are subject to change without notice.

TWO BOLT MANHOLE



PIECE No.	DESCRIPTION	PART No.	MATERIAL
1	COVER ASSEMBLY	93394	STEEL
2	COAMING ASSEMBLY	93432	STEEL
3	GASKET	364	NEOPRENE
4	TUMBLE BOLT	10774	BRONZE
5	NUT	93386	STEEL
6	STAPLE	93459	STAINLESS STEEL

MODEL No.	PART No.	A	B	C	D	E	F	G	H	WT. (lbs.)
DF-547-6	93289	26-5/8"	20-7/16"	23"	15"	6"	1/2"	1/2"	10-1/2"	120

1- OTHER GASKET MATERIAL AVAILABLE.

HATCHES

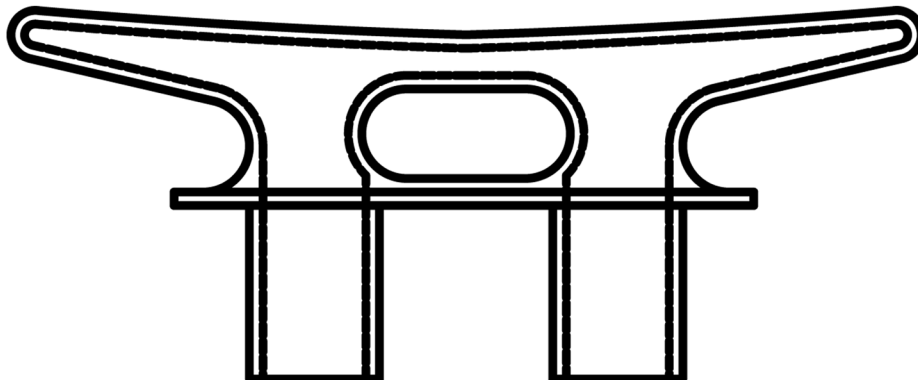
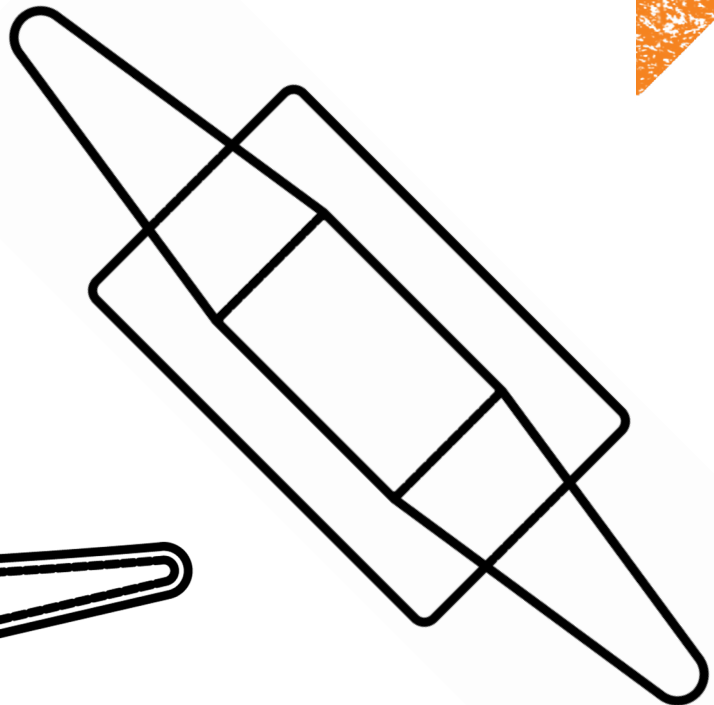
KEVELS

NABRICO offers a wide range of cast steel kevel chocks needed for proper and efficient marine duties. All castings are produced using A27 cast steel and are normally supplied raw from the foundry. While castings are usually preferred in this state, NABRICO has the capability to blast and paint with a zinc primer or provide most castings in Stainless Steel. Kevels are available in a variety of styles and sizes that include: steel kevel chocks in 24", 36", 42" and 48", cast steel in 18", 36", 42" and 48", cast steel heavy in 30" and 48", cast steel raised in 48" and cast steel thru deck in 42" and 48". Whatever the job, NABRICO has a kevel that meets your needs.

KEVELS

CAST STEEL	150
CAST STEEL HEAVY	151
CAST STEEL KEVEL CHOCK.....	152
CAST STEEL THRU DECK	153
CAST STEEL RAISED	154
CAST STEEL RSD THRU DECK.....	155

KEVELS



NABRICO

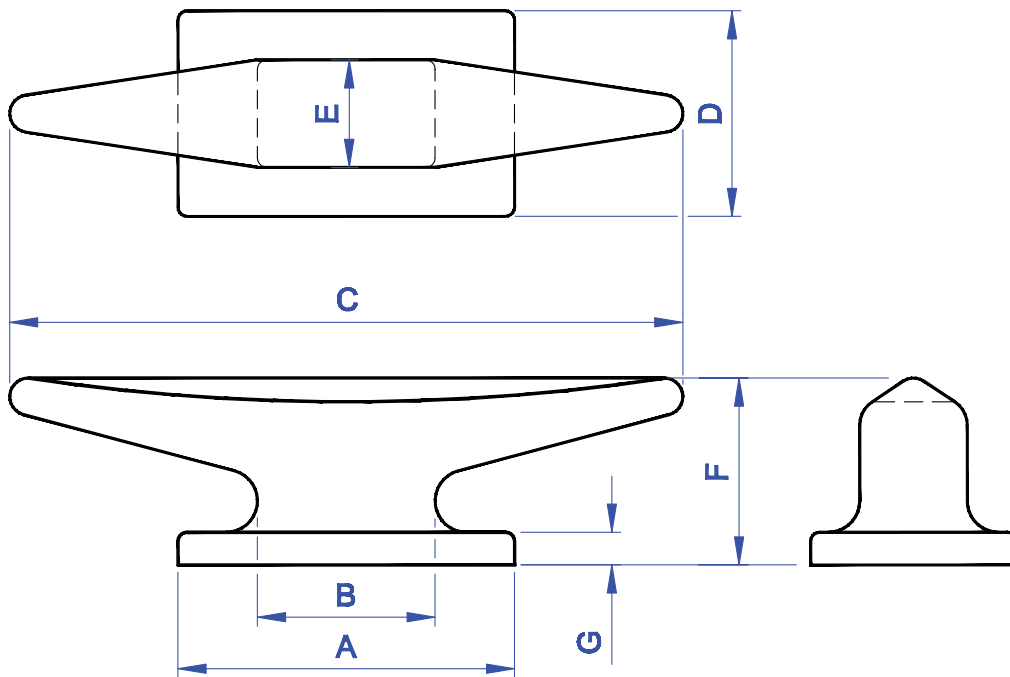
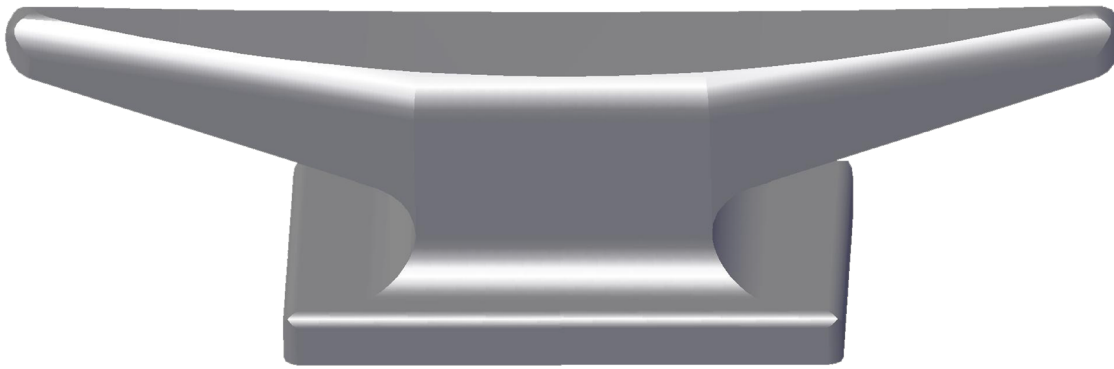
nabrico-marine.com

615.442.1300

The specifications and details described by drawings or text in this literature are subject to change without notice.

CAST STEEL KEVEL

KEVELS



MODEL No.	PART No.	SIZE	A	B	C	D	E	F	G	WT. (lbs.)
DF-518	87920	18"	9"	4-3/4"	18"	5-1/2"	2-7/8"	5"	7/8"	34



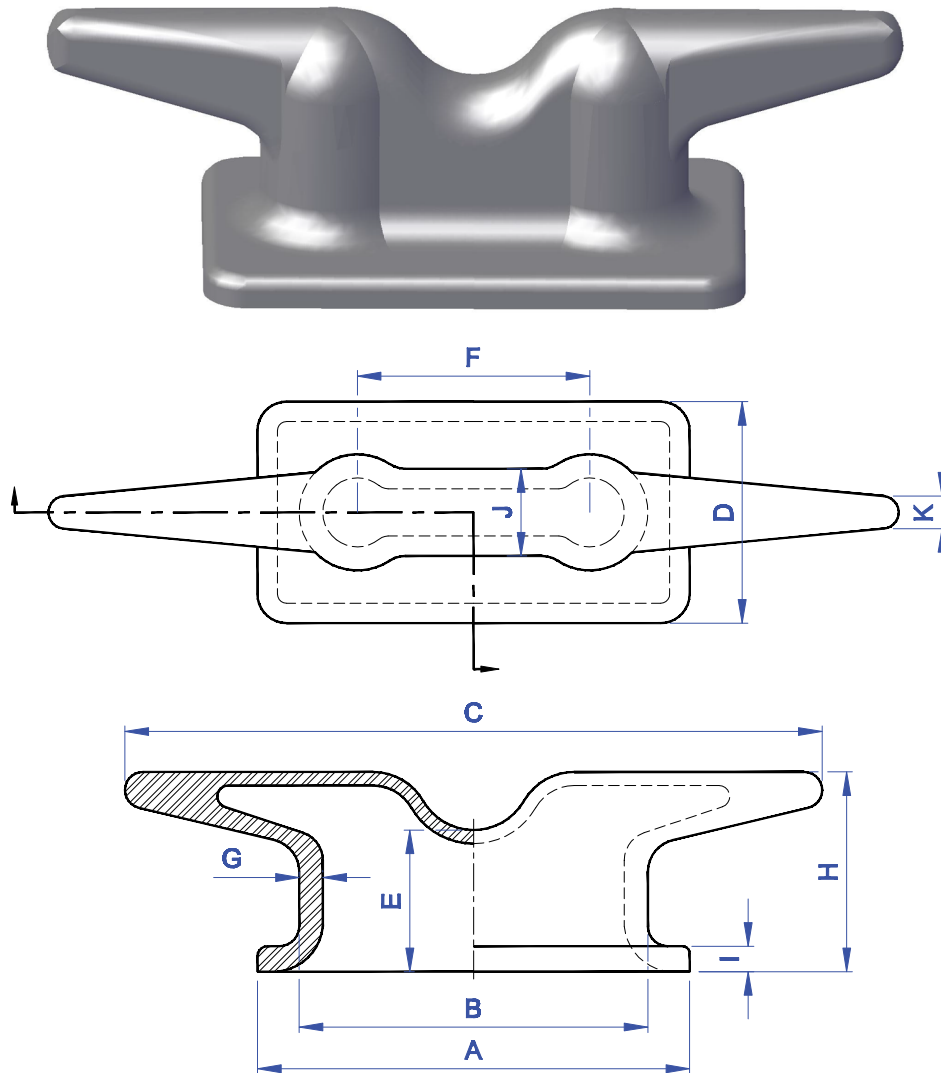
nabrico-marine.com

615.442.1300

The specifications and details described by drawings or text in this literature are subject to change without notice.

CAST STEEL HEAVY KEVEL

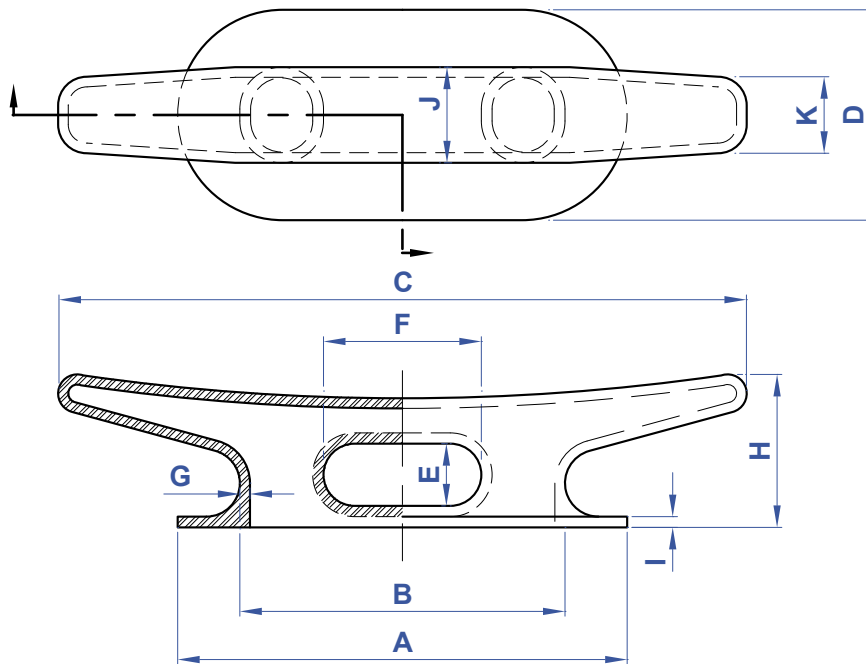
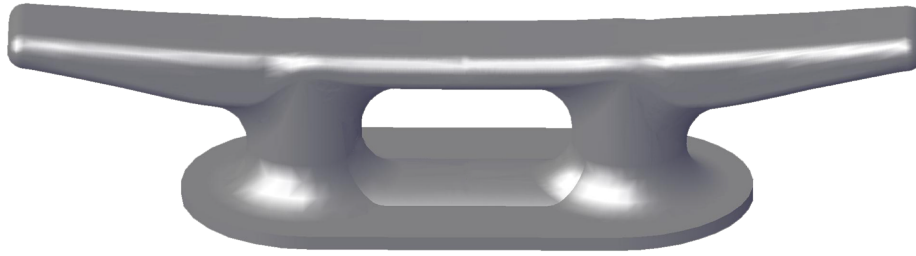
KEVELS



MODEL No.	PART No.	SIZE	A	B	C	D	E	F	G	H	I	J	ØK	WT. (lbs.)
DF-488	89338	30"	19"	15"	30"	11-1/4"	6-3/8"	10"	1-1/4"	8-7/8"	1-3/8"	3-3/4"	1-3/4"	180
DFSK-HC48	89340	48"	29-3/4"	24"	48"	15-1/4"	9-3/4"	16"	1-5/8"	13-3/4"	1-3/4"	6"	2-1/4"	440

CAST STEEL KEVEL CHOCK

KEVELS



MODEL No.	PART No.	SIZE	A	B	C	D	E	F	G	H	I	J	K	WT. (lbs.)
DF-30	18562	24"	10-1/2"	9"	24"	7-1/2"	2-1/4"	3-1/4"	1/2"	5-5/8"	1/2"	4"	3"	50
DF-482	20265	36"	23-1/2"	17"	36"	11"	3-1/4"	8-1/4"	9/16"	8"	9/16"	5"	4"	104
DF-483	20273	42"	26-3/4"	20"	42"	12-1/2"	4-1/8"	9-5/8"	5/8"	9"	5/8"	6"	4-3/4"	160
DF-484	20257	48"	30"	23"	48"	14"	5"	11"	3/4"	10"	3/4"	7"	5-1/2"	220



NABRICO

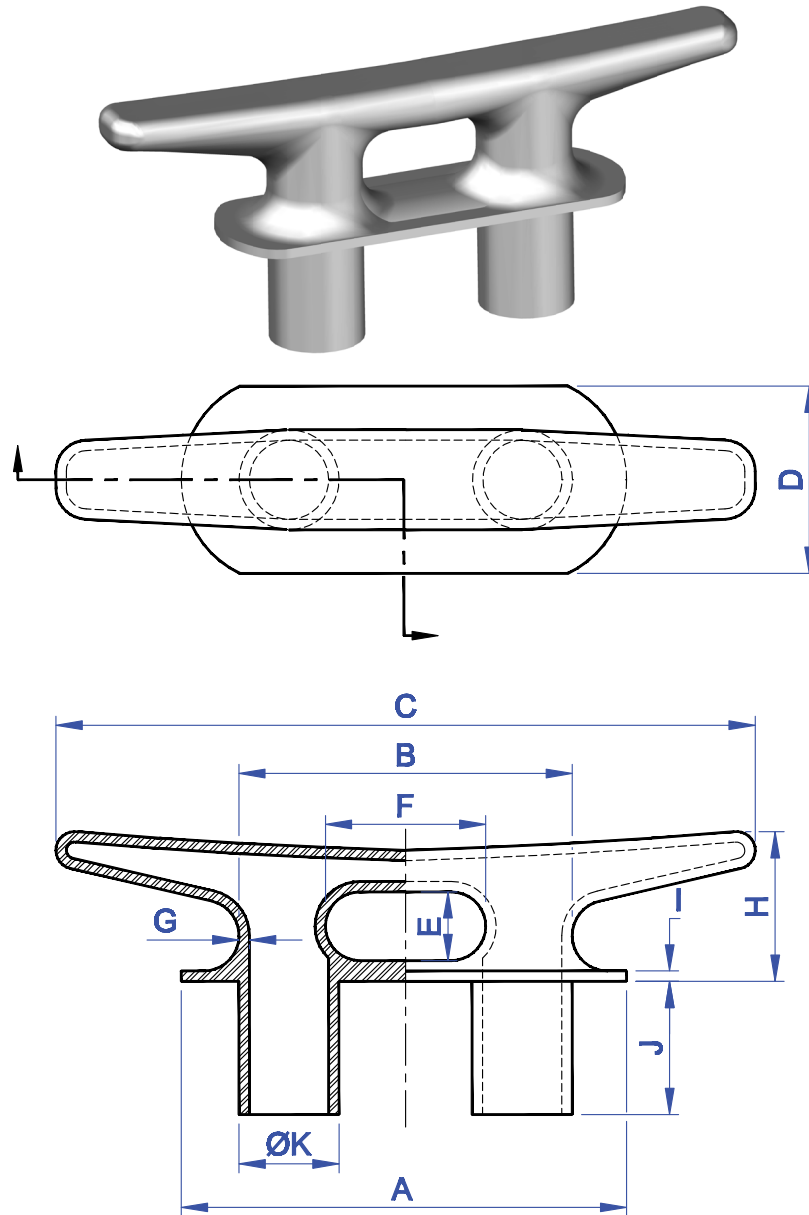
nabrico-marine.com

615.442.1300

The specifications and details described by drawings or text in this literature are subject to change without notice.

CAST STEEL THRU DECK KEVEL

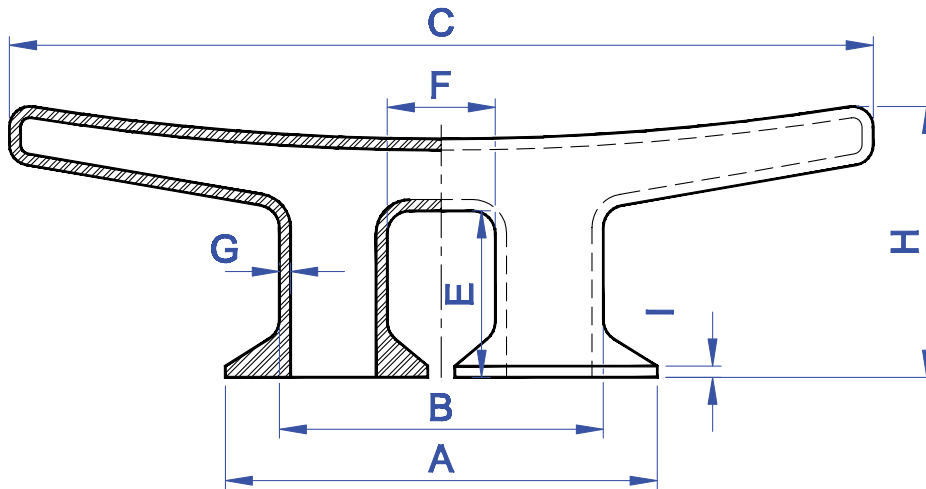
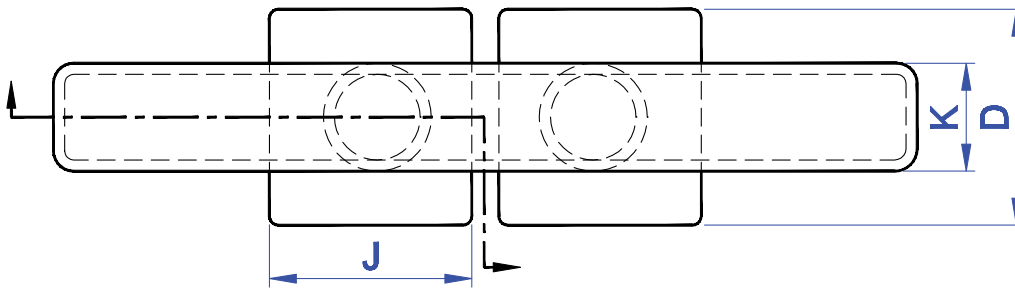
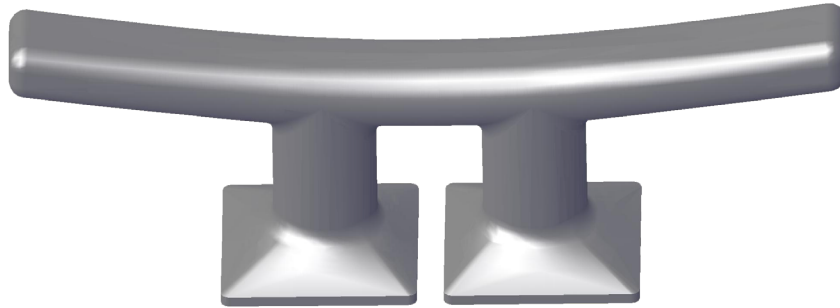
KEVELS



MODEL No.	PART No.	SIZE	A	B	C	D	E	F	G	H	I	J	ØK	WT. (lbs.)
DF-535	21849	42"	26-3/4"	20"	42"	12-1/2"	4-1/8"	9-5/8"	5/8"	9"	5/8"	8"	6"	200

CAST STEEL RAISED KEVEL

KEVELS



MODEL No.	PART No.	SIZE	A	B	C	D	E	F	G	H	I	J	K	WT. (lbs.)
DF-544	90026	48"	24"	18"	48"	12"	9-1/4"	6"	5/8"	15-1/4"	5/8"	11-1/4"	6"	200



NABRICO

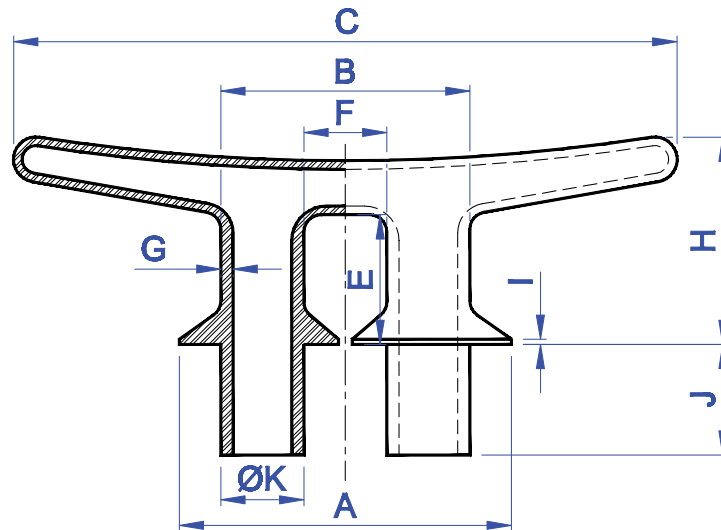
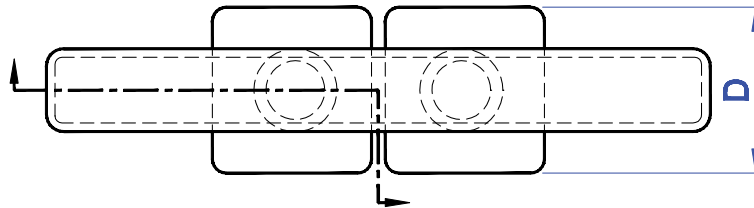
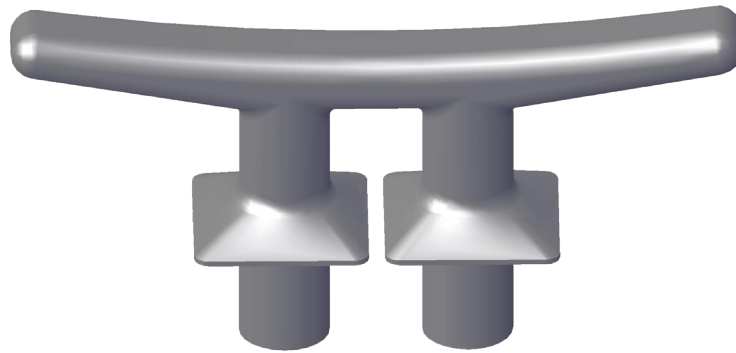
nabrico-marine.com

615.442.1300

The specifications and details described by drawings or text in this literature are subject to change without notice.

CAST STEEL THRU DECK RAISED KEVEL

KEVELS



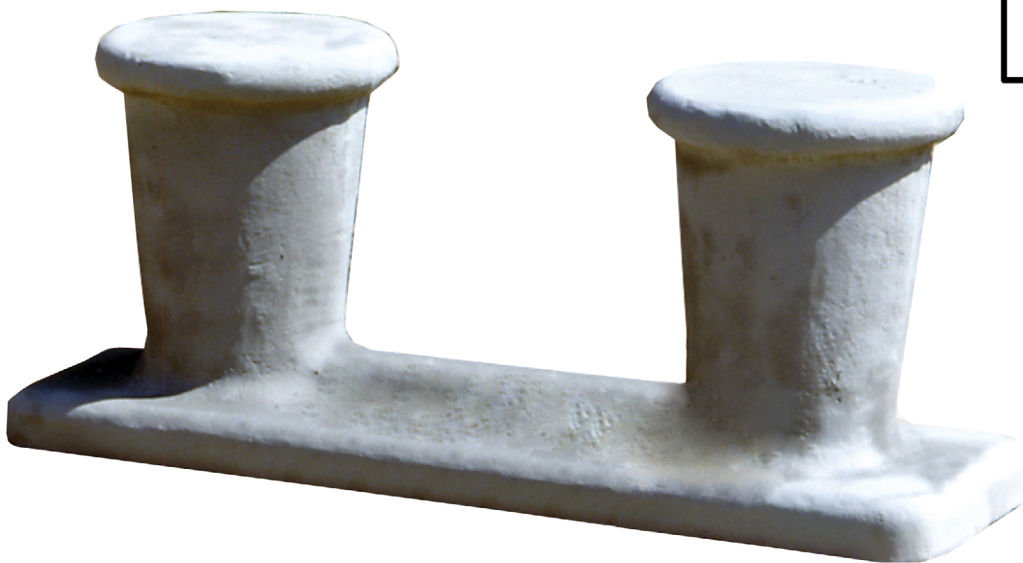
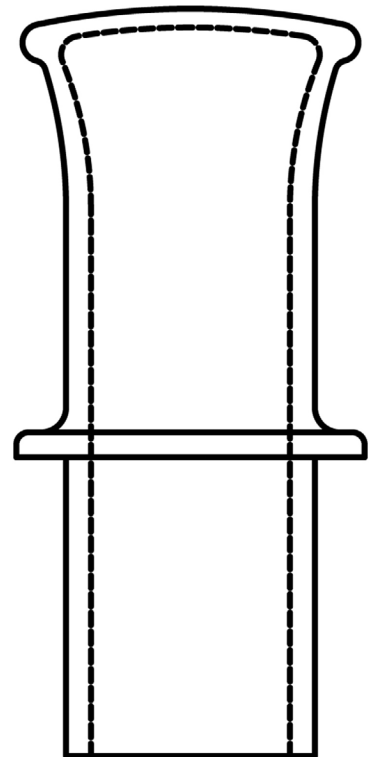
MODEL No.	PART No.	SIZE	A	B	C	D	E	F	G	H	I	J	ØK	WT. (lbs.)
DFSK- 48TDKC	90027	48"	24"	18"	48"	12"	9"	6"	7/8"	15"	3/8"	8"	6"	300

BITTS

NABRICO offers a wide range of cast steel bitts needed for proper and efficient marine duties. All castings are produced using A27 cast steel and are normally supplied raw from the foundry. While castings are usually preferred in this state, NABRICO has the capability to blast and paint with a zinc primer or provide most castings in Stainless Steel. Bitts are available in a variety of styles and sizes that include: single bitt, single thru deck, single thru deck with horn, fabricated single, fabricated cruciform and double bitts with or without horns. Whatever the job, NABRICO has a bitt that meets your needs.

BITTS

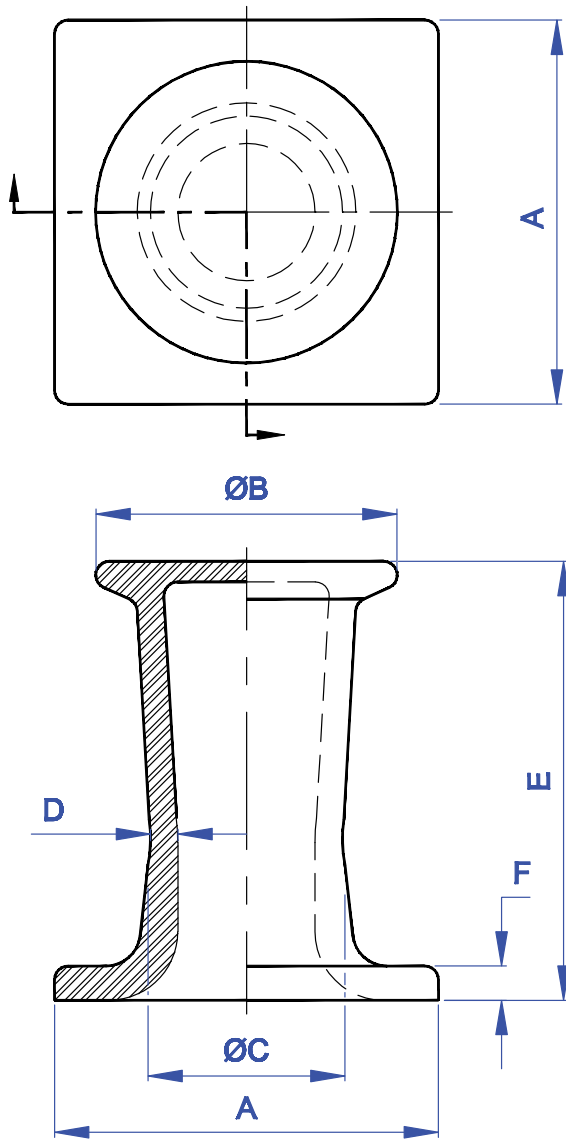
SINGLE.....	158
SINGLE THRU DECK.....	160
SINGLE THRU DECK W/ HORN.....	161
FABRICATED SINGLE.....	162
FABRICATED CRUCIFORM.....	163
DOUBLE.....	164



BITTS

CAST STEEL SINGLE BITT

BITTS



MODEL No.	PART No.	SIZE	A	ØB	ØC	D	E	F	WT. (lbs.)
DF-SB8	87971	8"	14"	11"	7"	1"	16"	1-1/4"	160



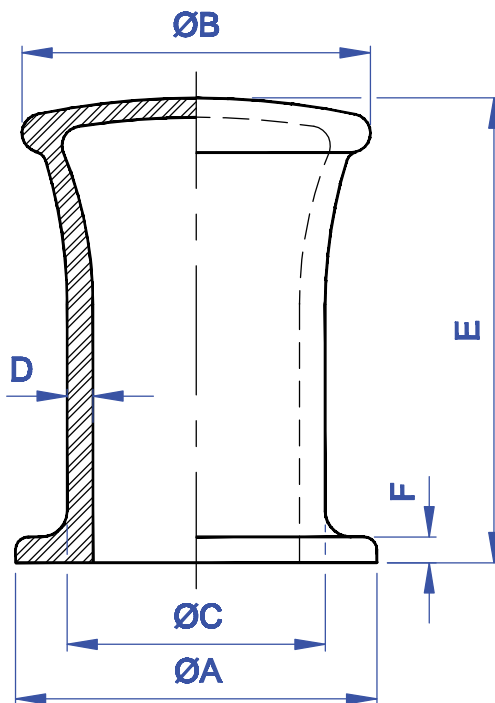
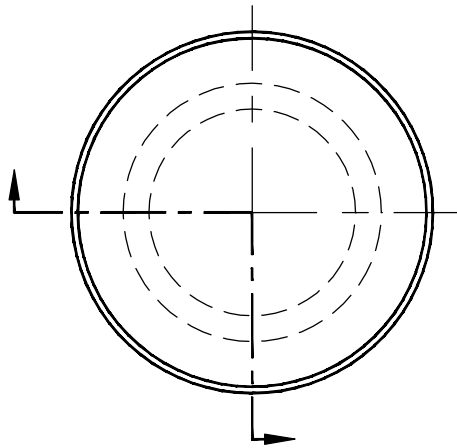
NABRICO

nabrico-marine.com

615.442.1300

The specifications and details described by drawings or text in this literature are subject to change without notice.

CAST STEEL SINGLE BITT

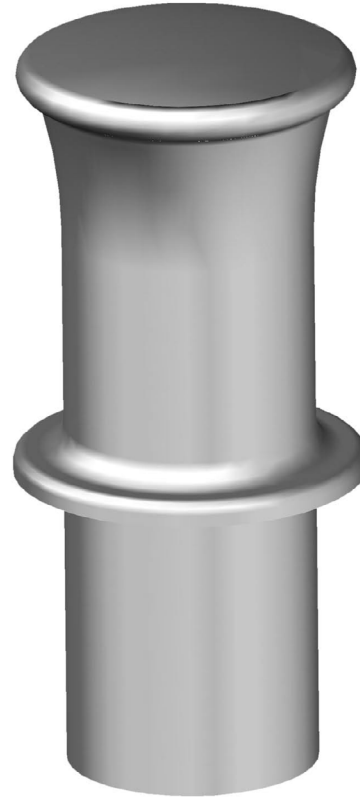
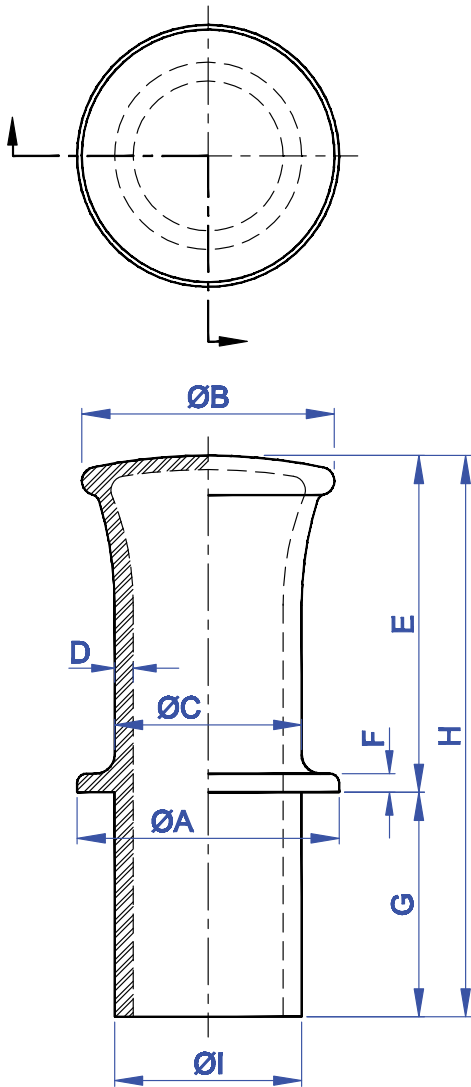


BITTS

MODEL No.	PART No.	SIZE	ØA	ØB	ØC	D	E	F	WT. (lbs.)
DF-SB10	20230	10"	14"	13-1/2"	10"	1"	18"	1"	190

CAST STEEL THRU DECK SINGLE BITT

BITTS



MODEL No.	PART No.	SIZE	ØA	ØB	ØC	D	E	F	G	H	ØI	WT. (lbs.)
DF-530	21555	8"	14"	12"	8"	1"	16"	1"	11"	27"	10-1/4"	260
DF-530	20231	10"	14"	13-1/2"	10"	1"	18"	1"	12"	30"	10"	300



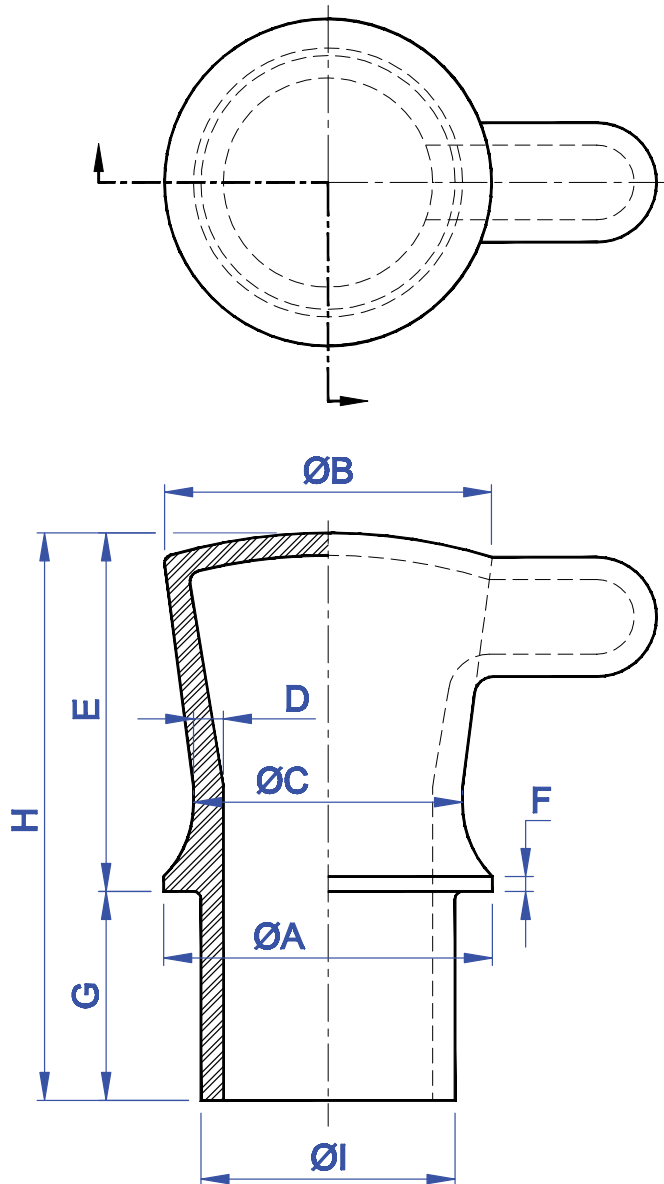
NABRICO

nabrico-marine.com

615.442.1300

The specifications and details described by drawings or text in this literature are subject to change without notice.

CAST STEEL THRU DECK SINGLE BITT

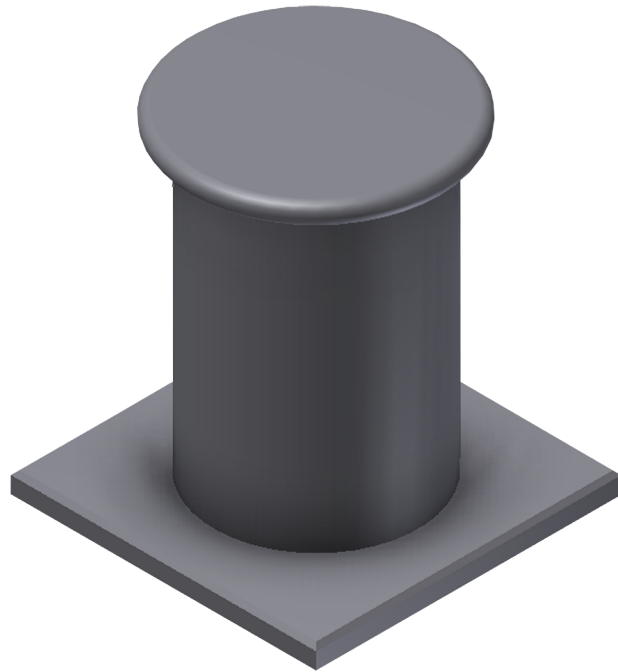
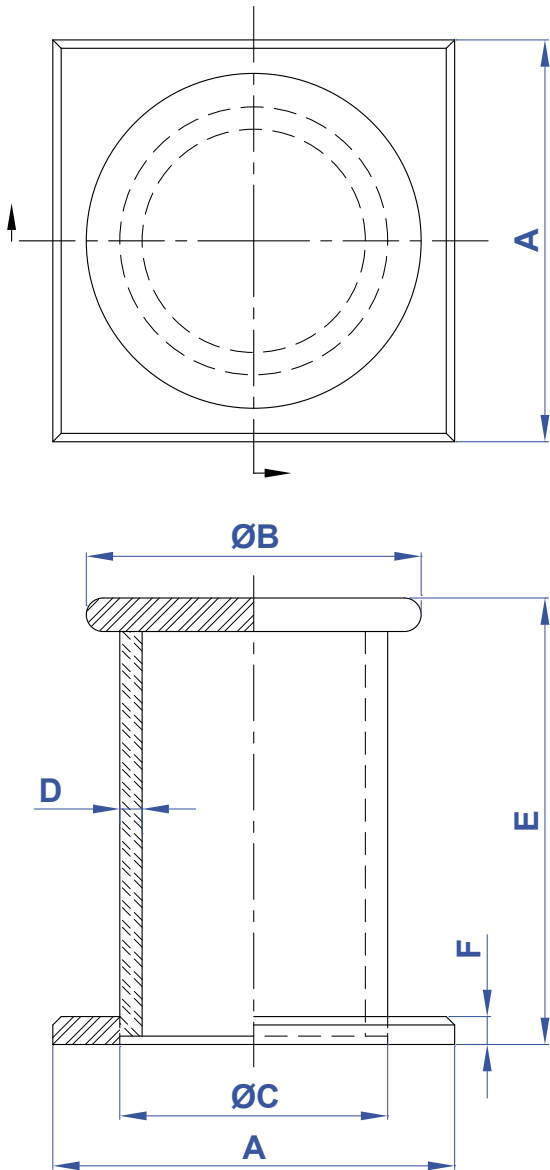


BITTS

MODEL No.	PART No.	SIZE	ØA	ØB	ØC	D	E	F	G	H	ØI	WT. (lbs.)
DF-532	21660	9"	11"	11"	9"	3/4"	12"	1/2"	7"	19"	8-1/2"	155

FABRICATED STEEL SINGLE BITT

BITTS



MODEL No.	PART No.	SIZE	A	ØB	ØC	D	E	F	WT. (lbs.)
DF-55	13820	12"	18"	15"	12"	1"	20"	1-1/4"	330

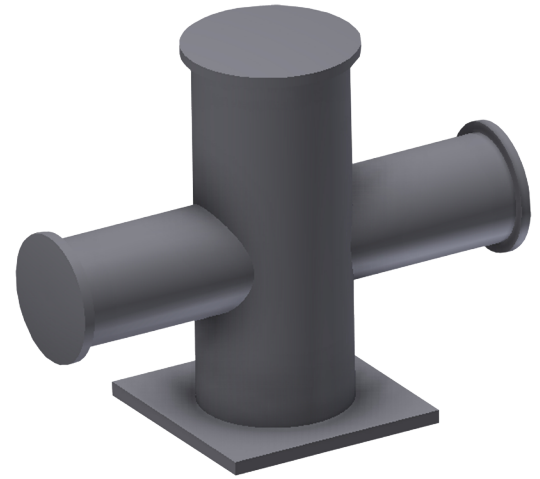
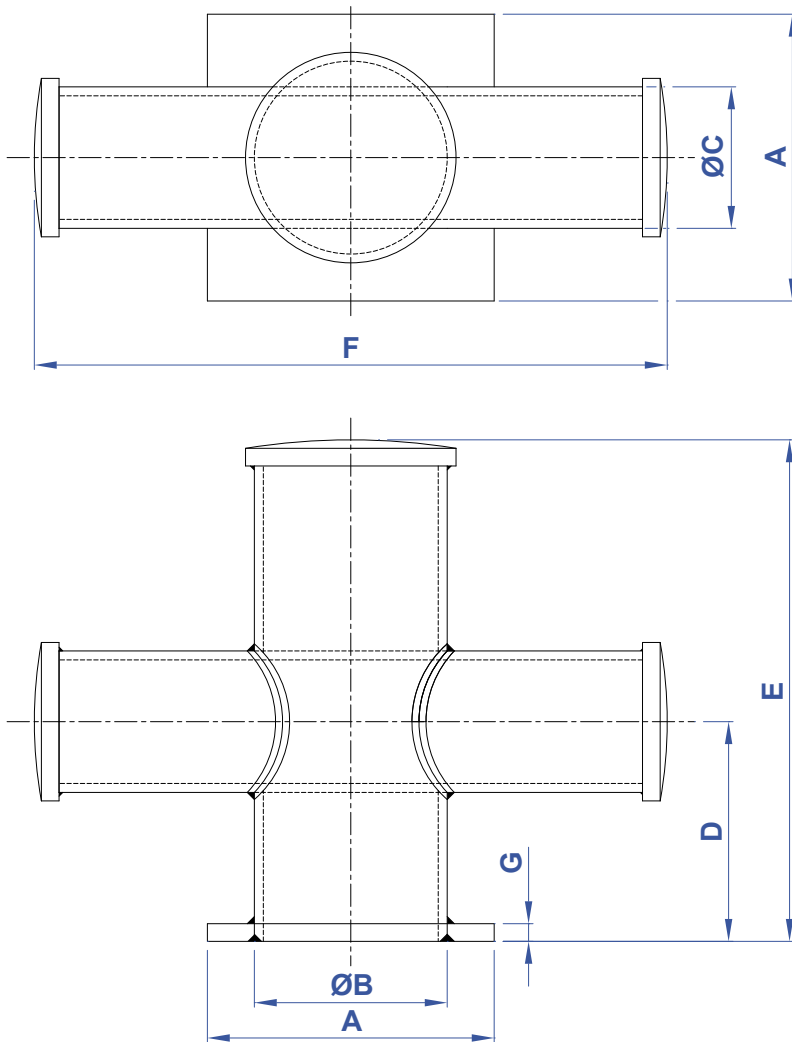

NABRICO

nabrico-marine.com

615.442.1300

The specifications and details described by drawings or text in this literature are subject to change without notice.

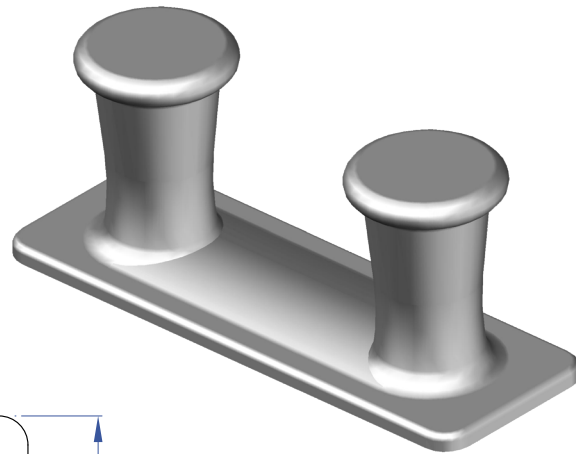
FABRICATED STEEL CRUCIFORM BITT



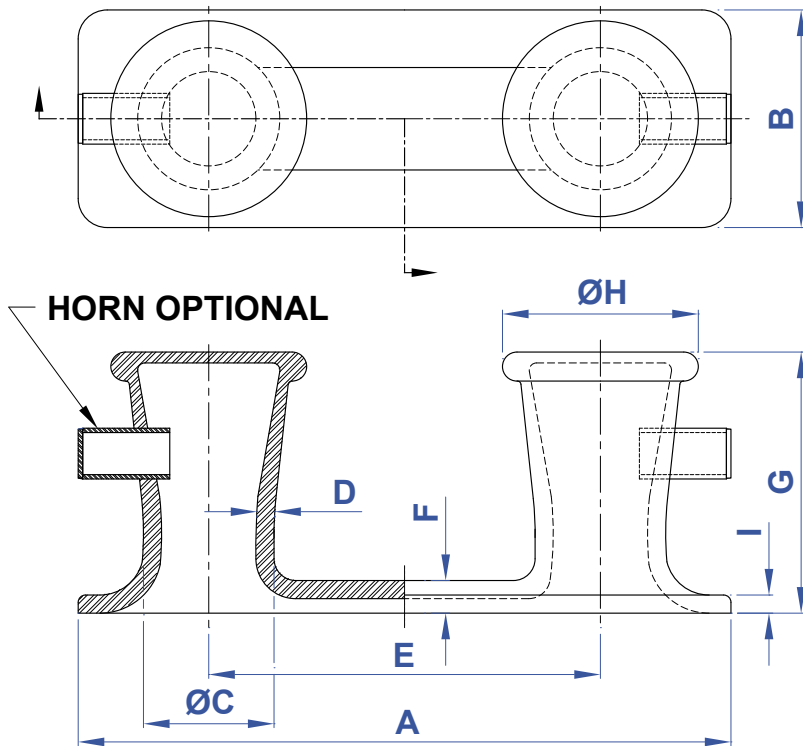
BITTS

MODEL No.	PART No.	SIZE	A	ØB	ØC	D	E	F	G	WT. (lbs.)
DF-65	21552	10"	16"	10-3/4"	7-7/8"	12-1/4"	28"	35-1/4"	1"	465

CAST STEEL DOUBLE BITT



BITTS



MODEL No.	PART No.	SIZE	A	B	ØC	D	E	F	G	ØH	I	WT. (lbs.)
DF- 2	7005	8"	40"	14"	7"	1"	24"	2"	16"	11"	1-1/4"	375
DF- 2A	20281	8" W/Horns	40"	14"	7"	1"	24"	2"	16"	11"	1-1/4"	385
DF- 40	6858	10"	45"	15"	9"	1-1/4"	27"	2-1/4"	18"	13-1/2"	1-1/4"	545
DF- 40A	77054	10" W/Horns	45"	15"	9"	1-1/4"	27"	2-1/4"	18"	13-1/2"	1-1/4"	560

1- HORNS NOT SHOWN ON DOUBLE BITT MODEL.



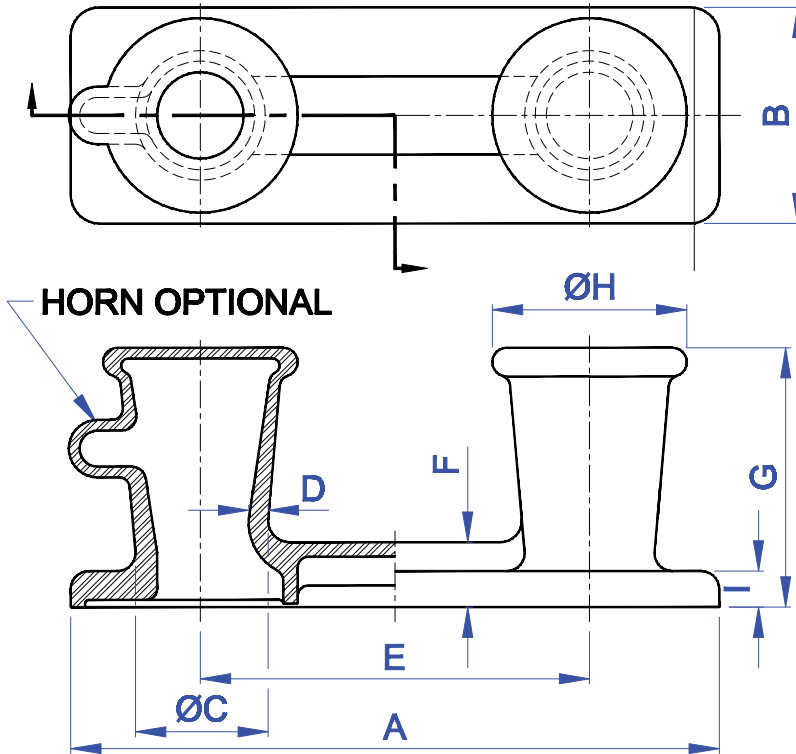
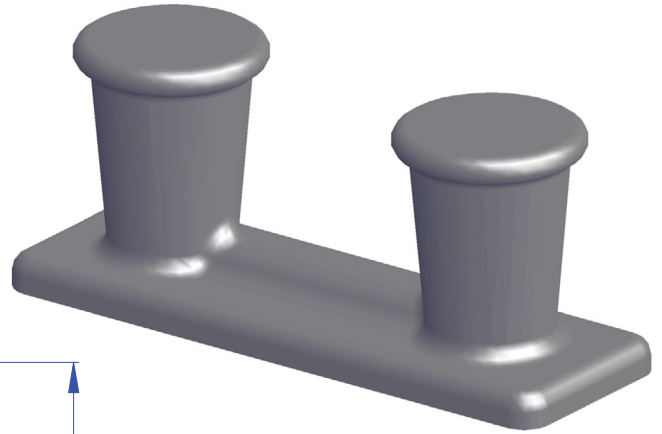
NABRICO

nabrico-marine.com

615.442.1300

The specifications and details described by drawings or text in this literature are subject to change without notice.

CAST STEEL HEAVY DOUBLE BITT

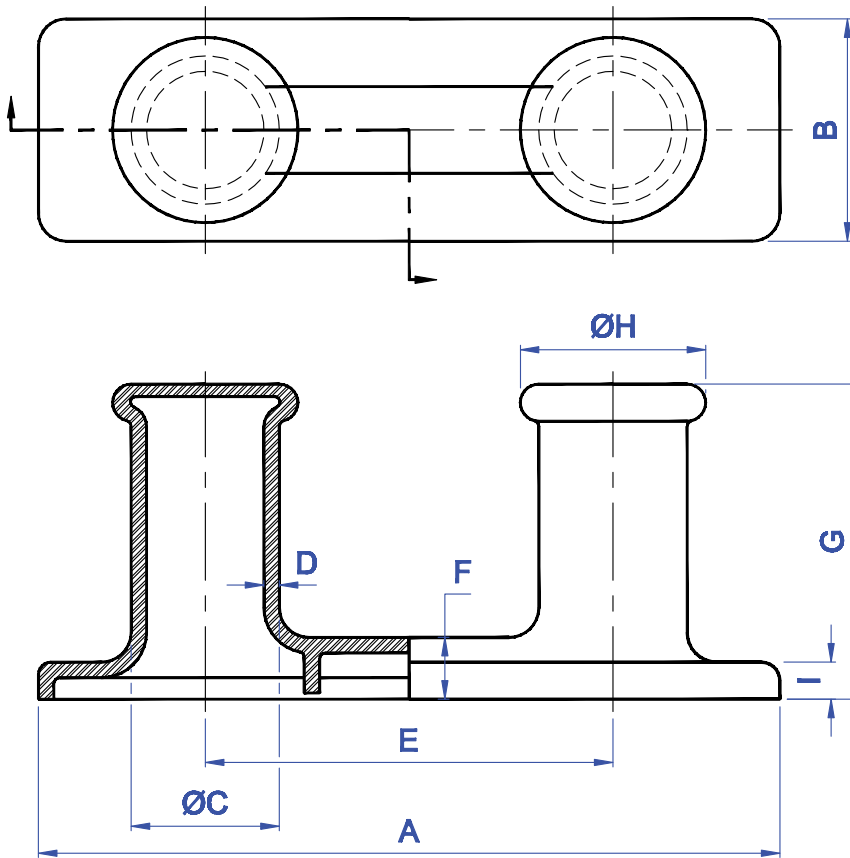
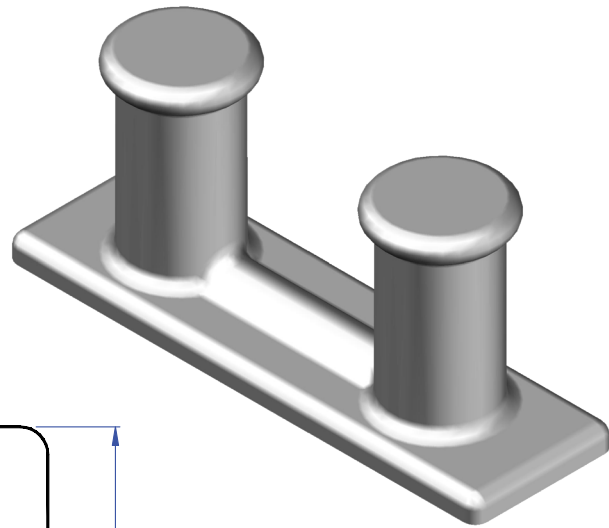


BITTS

MODEL No.	PART No.	SIZE	A	B	ØC	D	E	F	G	ØH	I	WT. (lbs.)
DF-537	89648	10"	45"	15"	9"	1-1/2"	27"	4-1/2"	18"	13-1/2"	2-1/2"	625
DF-537A	90034	10" W/HORN	45"	15"	9"	1-1/2"	27"	4-1/2"	18"	13-1/2"	2-1/2"	635
DF-537AA	90036	10" W/HORNS	45"	15"	9"	1-1/2"	27"	4-1/2"	18"	13-1/2"	2-1/2"	645

1- HORNS NOT SHOWN ON DOUBLE BITT MODEL.

CAST STEEL HEAVY DOUBLE BITT



BITTS

MODEL No.	PART No.	SIZE	A	B	ØC	D	E	F	G	ØH	I	WT. (lbs.)
DF-491	89362	12"	60"	18"	12"	1-1/4"	33"	5"	25-1/2"	15"	3"	990
DF-498	21164	14"	66"	21"	14"	1-1/2"	40"	5-1/2"	29-3/4"	17-1/2"	3-1/2"	1780
DF-499	21168	16"	76"	24"	16"	1-3/4"	46"	7-3/16"	34"	20"	4"	2500



NABRICO

nabrico-marine.com

615.442.1300

The specifications and details described by drawings or text in this literature are subject to change without notice.

CHOCKS

NABRICO offers a wide range of cast steel chocks needed for proper and efficient marine duties. All castings are produced using A27 cast steel and are normally supplied raw from the foundry. While castings are normally preferred in this state, NABRICO has the capability to blast and paint with a zinc primer or provide most castings in Stainless Steel. Chocks are available in a variety of styles and sizes that include: button, open or closed, roller and panama canal chocks. Whatever the job, NABRICO has a chock that meets your needs.



CHOCKS

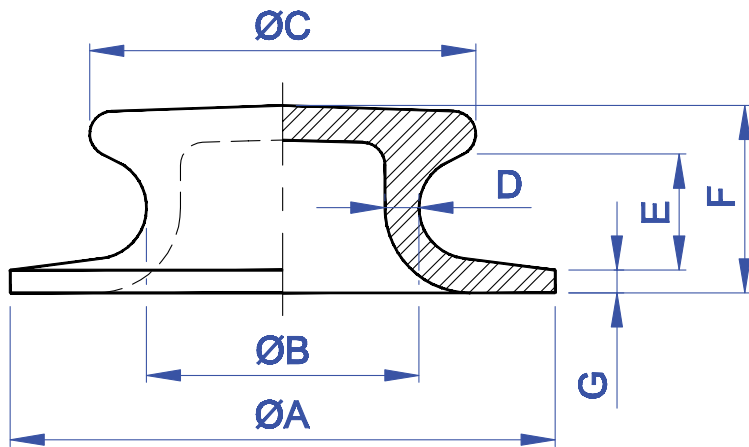
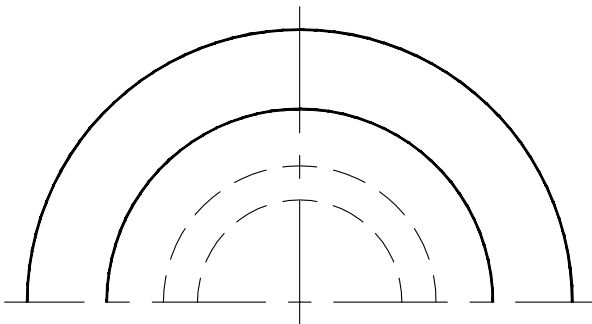
CAST STEEL BUTTON.....	168
CAST STEEL OPEN	175
CAST STEEL CLOSED	176
PANAMA CANAL	177
MOORING RING	180
FABRICATED BUTTON	181
COMBINATION BITT	182
FABRICATED OPEN.....	183
FAIRLEAD PEDESTAL	184
PIVOTING FAIRLEAD	185
FAIRLEAD ROLLER	186
STAINLESS STEEL FIXED.....	187
STAINLESS STEEL	189
STAINLESS STEEL BUTTON	190

ROLLER CHOCKS

SINGE ROLLER	191
SINGLE ROLLER BUTTON.....	195
HEAVY DUTY ROLLER.....	197
PIVOTING ROLLER	198

CHOCKS

CAST STEEL 6" BUTTON CHOCK



CHOCKS

MODEL No.	PART No.	SIZE	ØA	ØB	ØC	D	E	F	G	WT. (lbs.)
DF-192	6408	6"	12"	6"	8-1/2"	3/4"	2-9/16"	4-1/8"	1/2"	40



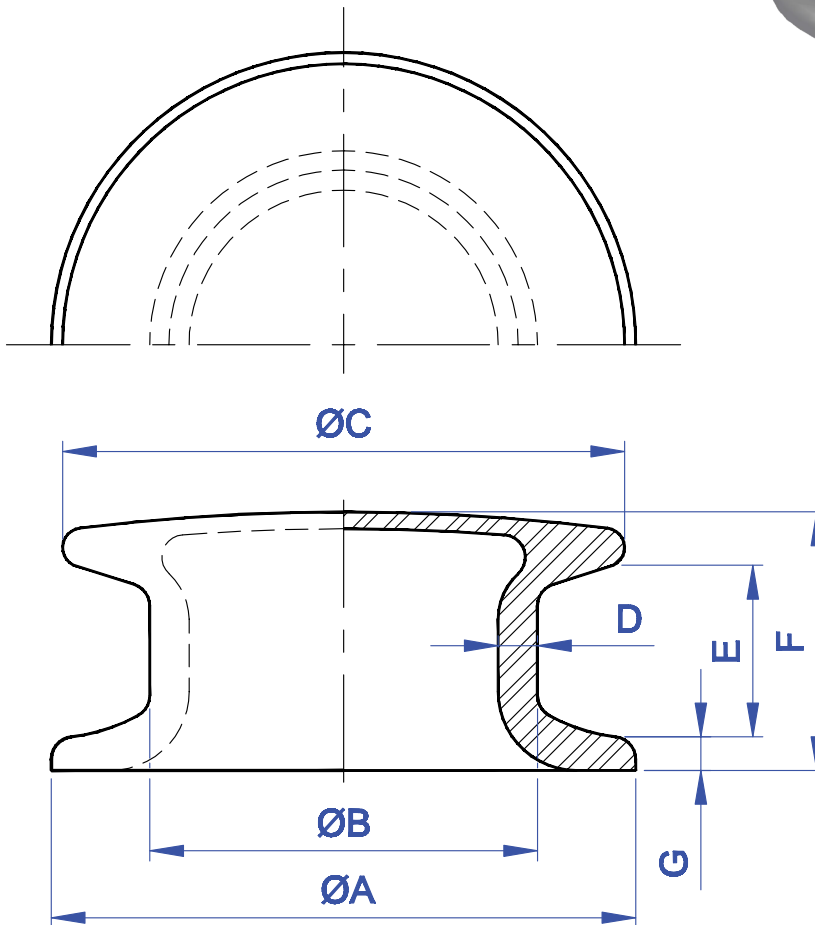
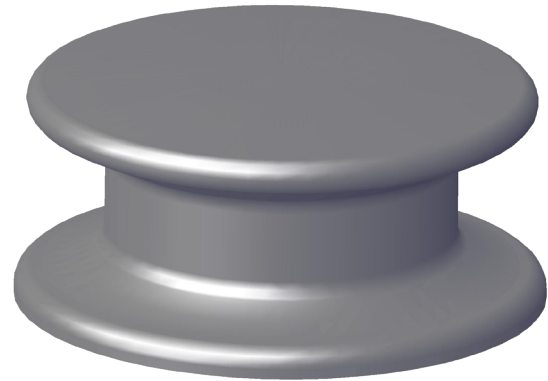
NABRICO

nabrico-marine.com

615.442.1300

The specifications and details described by drawings or text in this literature are subject to change without notice.

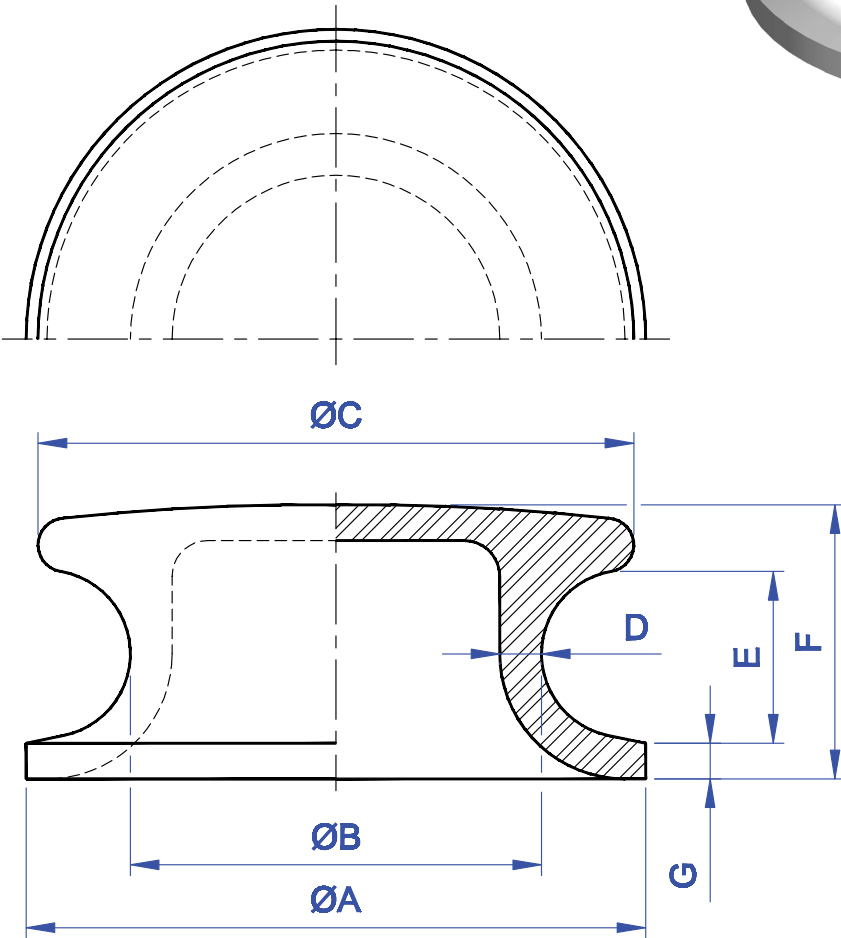
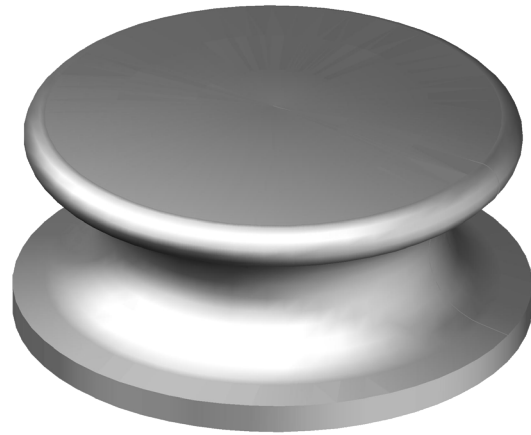
CAST STEEL 8" BUTTON CHOCK



CHOCKS

MODEL No.	PART No.	SIZE	ØA	ØB	ØC	D	E	F	G	WT. (lbs.)
DF-473C	77461	8"	13"	8-5/8"	12-1/2"	7/8"	3-3/4"	5-3/4"	3/4"	75

CAST STEEL 8" BUTTON CHOCK



CHOCKS

MODEL No.	PART No.	SIZE	ØA	ØB	ØC	D	E	F	G	WT. (lbs.)
DF-542	89990	8"	13"	8-5/8"	12-1/2"	7/8"	3-5/8"	5-3/4"	3/4"	75

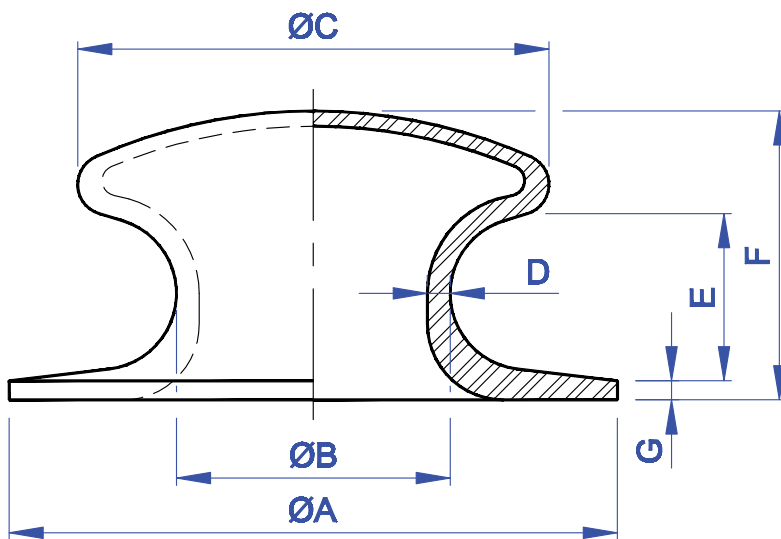
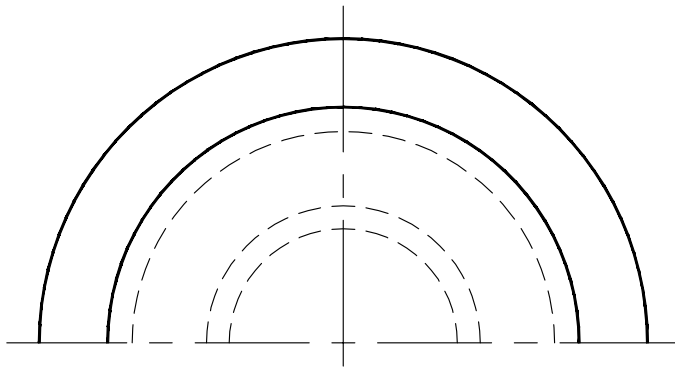
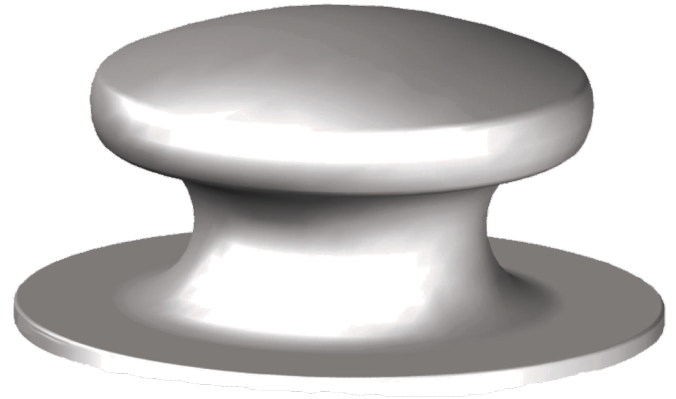

NABRICO

nabrico-marine.com

615.442.1300

The specifications and details described by drawings or text in this literature are subject to change without notice.

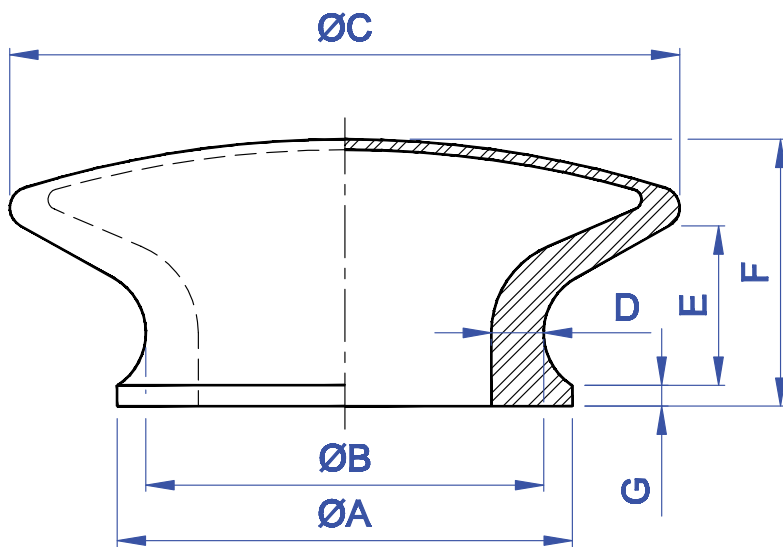
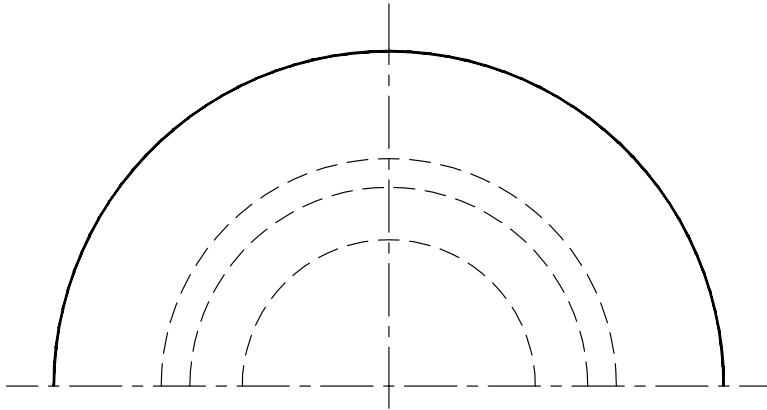
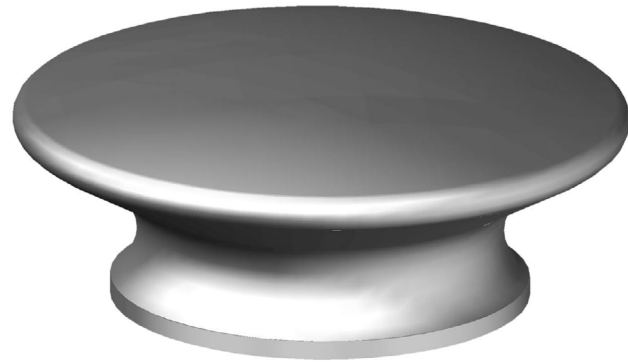
CAST STEEL 9" BUTTON CHOCK



CHOCKS

MODEL No.	PART No.	SIZE	ØA	ØB	ØC	D	E	F	G	WT. (lbs.)
DF-194	16128	9"	20"	9"	15-1/2"	3/4"	5-1/2"	9-1/2"	5/8"	158

CAST STEEL 9 1/2" BUTTON CHOCK



CHOCKS

MODEL No.	PART No.	SIZE	ØA	ØB	ØC	D	E	F	G	WT. (lbs.)
DF-176	13838	9-1/2"	10-7/8"	9-1/2"	16"	1-1/4"	3-3/4"	6-3/8"	1/2"	84



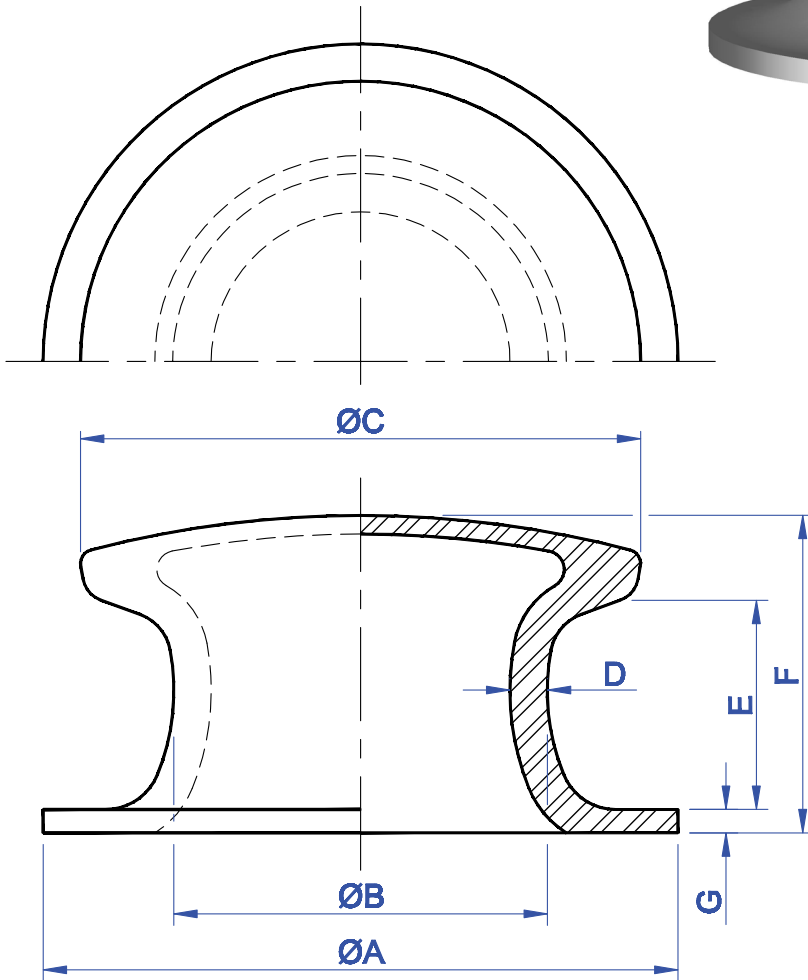
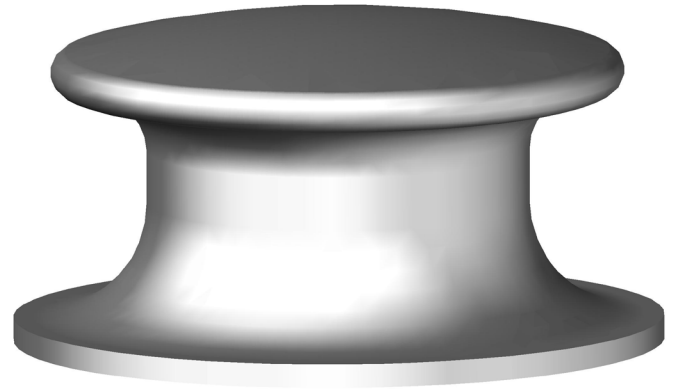
NABRICO

nabrico-marine.com

615.442.1300

The specifications and details described by drawings or text in this literature are subject to change without notice.

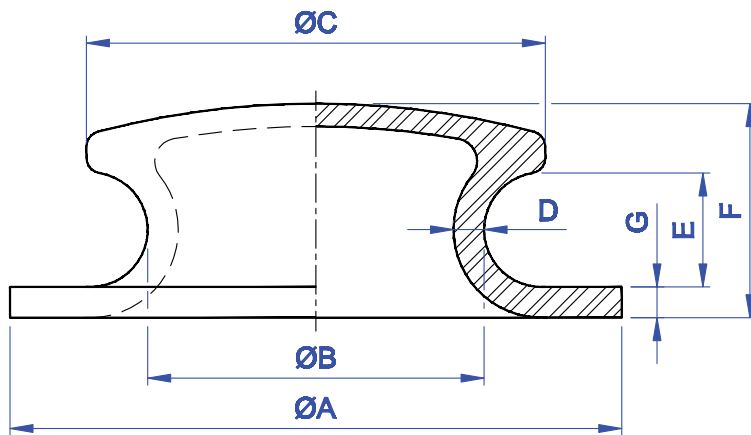
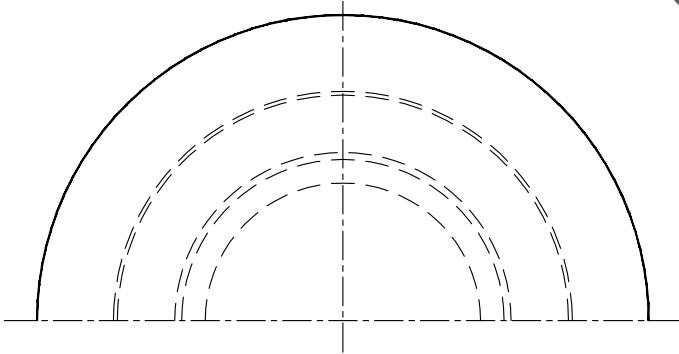
CAST STEEL 10" BUTTON CHOCK



CHOCKS

MODEL No.	PART No.	SIZE	ØA	ØB	ØC	D	E	F	G	WT. (lbs.)
DF-185	14567	10"	17"	10"	15"	1"	5-3/4"	8-1/2"	5/8"	145

CAST STEEL 11" BUTTON CHOCK



CHOCKS

MODEL No.	PART No.	SIZE	ØA	ØB	ØC	D	E	F	G	WT. (lbs.)
DF-538	89907	11"	20"	11"	15"	1"	3-3/4"	7"	1"	165



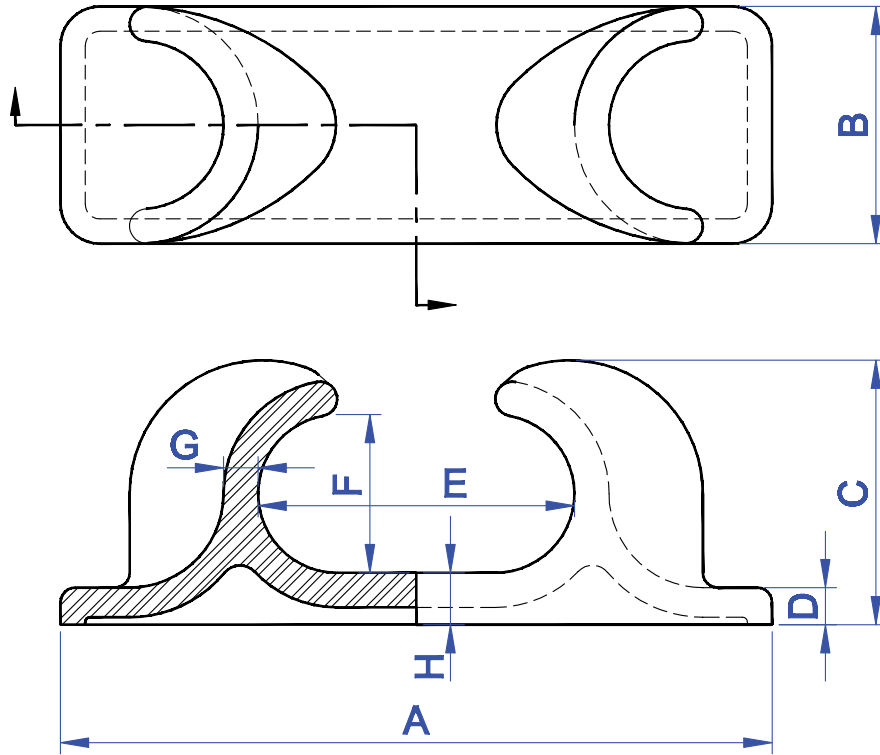
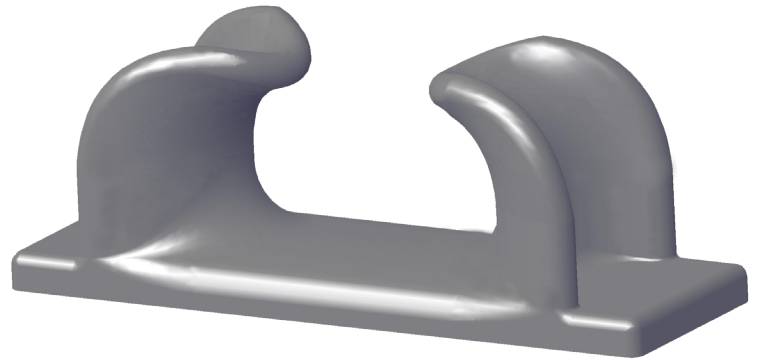
NABRICO

nabrico-marine.com

615.442.1300

The specifications and details described by drawings or text in this literature are subject to change without notice.

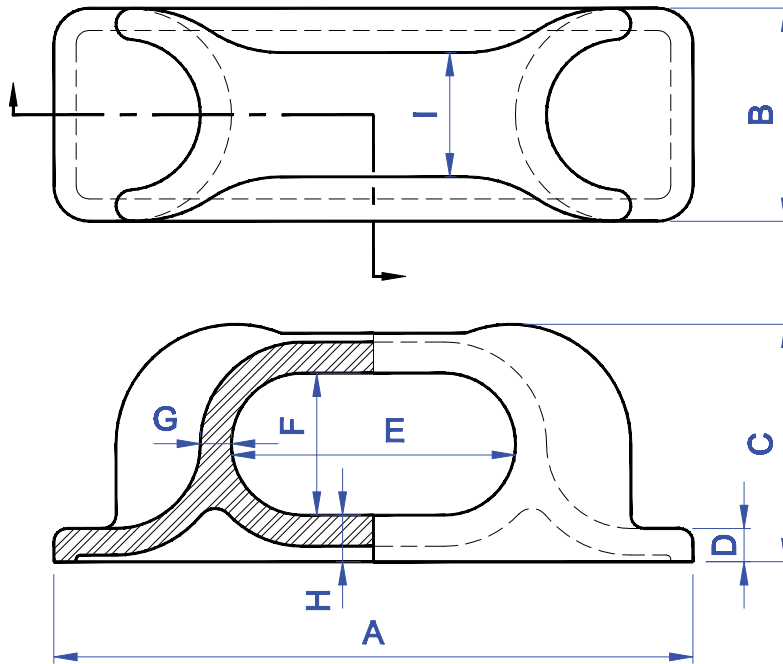
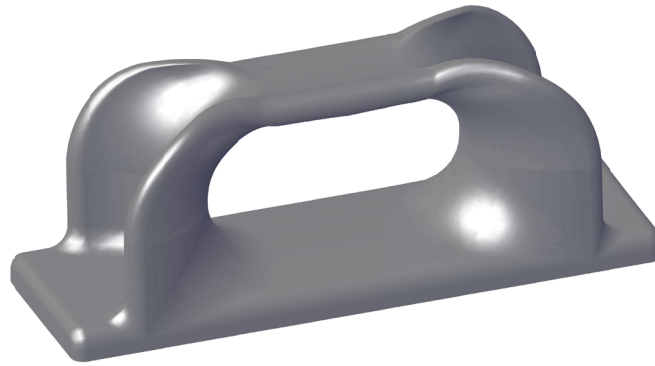
CAST STEEL OPEN CHOCK



CHOCKS

MODEL No.	PART No.	SIZE	A	B	C	D	E	F	G	H	WT. (lbs.)
DF-496	89451	4x8	19-3/4"	6"	6-3/4"	1-1/8"	8"	4"	1"	1-3/8"	75
DF-495	89443	5x11	25-1/4"	8"	9"	1-5/16"	10-3/4"	5-3/8"	1-1/4"	1-13/16"	132
DF-485	20362	6x12	27-3/4"	9"	10-1/8"	1-1/2"	12"	6"	1-3/8"	2-1/16"	175
DF-489	89346	8x16	36"	12"	13-3/8"	1-7/8"	16"	8"	1-3/4"	2-5/8"	435

CAST STEEL CLOSED CHOCK



CHOCKS

MODEL No.	PART No.	SIZE	A	B	C	D	E	F	G	H	I	WT. (lbs.)
DF-497	89478	4x8	19-3/4"	6"	6-3/4"	1-1/8"	8"	4"	1"	1-3/8"	3-1/2"	84
DF-480	89397	6x12	27-3/4"	9"	10-1/8"	1-1/2"	12"	6"	1-3/8"	2-1/16"	5-1/4"	191
DF-490	89354	8x16	36"	12"	13-3/8"	1-7/8"	16"	8"	1-3/4"	2-5/8"	7"	455



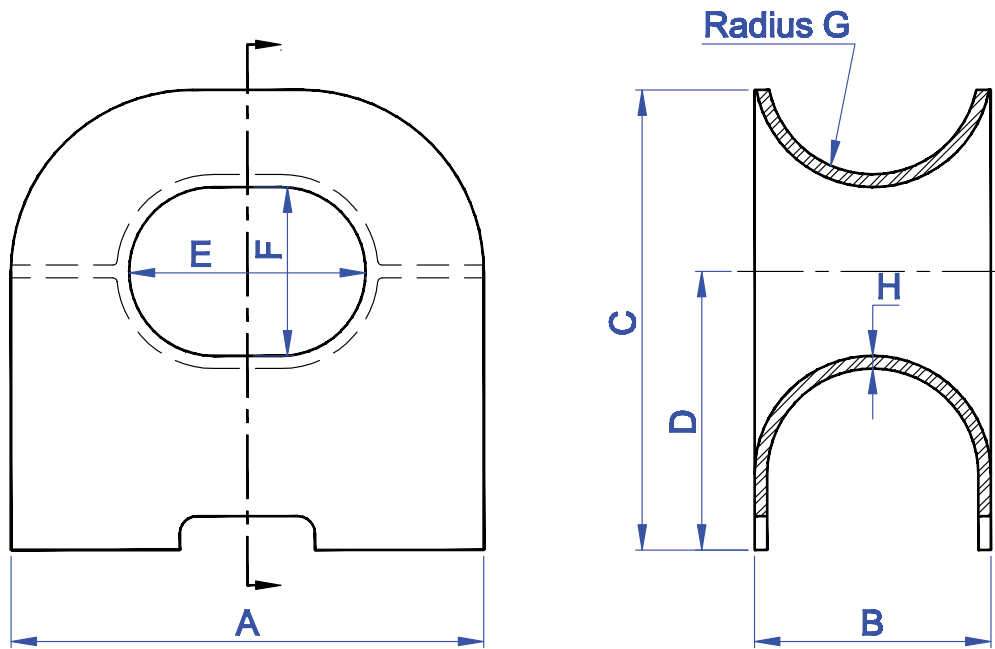
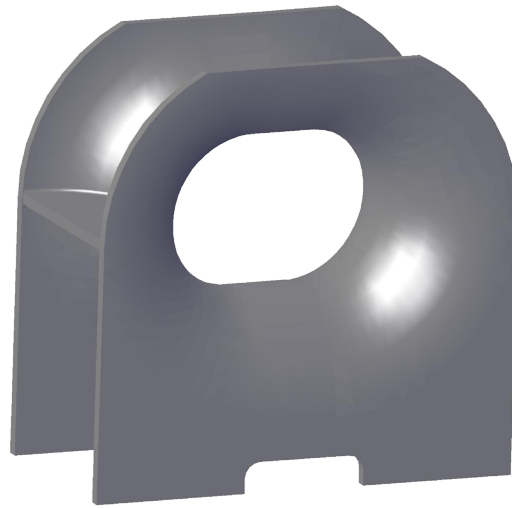
NABRICO

nabrico-marine.com

615.442.1300

The specifications and details described by drawings or text in this literature are subject to change without notice.

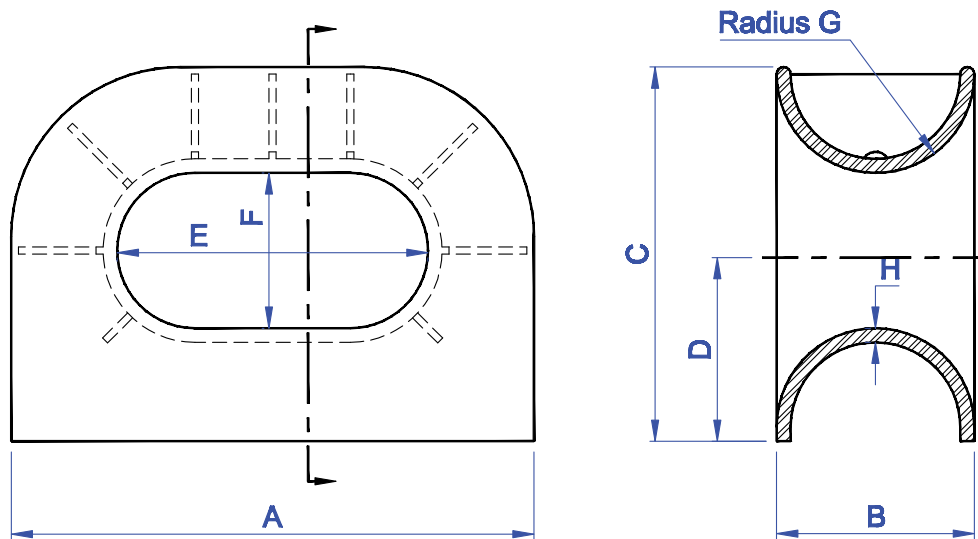
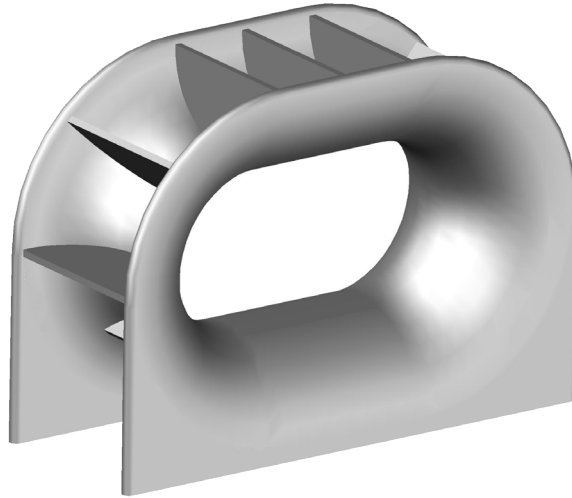
CAST STEEL PANAMA CANAL CHOCK



CHOCKS

MODEL No.	PART No.	SIZE	A	B	C	D	E	F	G	H	WT. (lbs.)
DF-531	21602	12x10	26"	14"	22"	12"	12"	10"	6-5/8"	3/4"	295
DF-531	21601	14x10	28"	14"	27-1/4"	16-1/2"	14"	10"	6-1/4"	3/4"	355
DF-531	21560	16x10	30"	14"	24-1/4"	16-1/2"	16"	10"	7"	3/4"	395

CAST STEEL PANAMA CANAL CHOCK



CHOCKS

MODEL No.	PART No.	SIZE	A	B	C	D	E	F	G	H	WT. (lbs.)
DF-531	21554	22x11	37"	14"	26-1/2"	13-1/2"	22"	11"	7"	1"	790
DF-531	21607	18x12	33"	14"	31-1/2"	18"	18"	12"	7"	1-1/8"	1140
DF-531	21609	24x12	41"	16"	34-1/2"	20"	24"	12"	8"	1-1/8"	1200



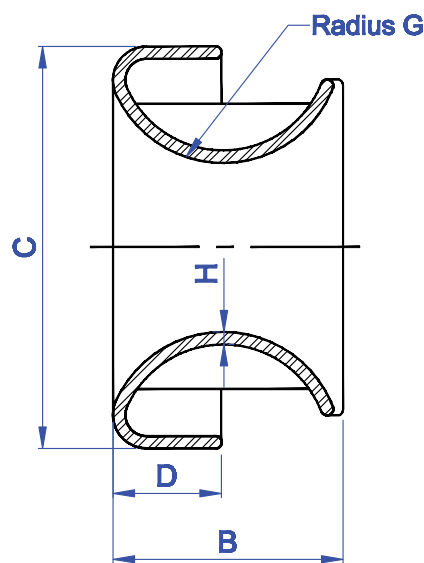
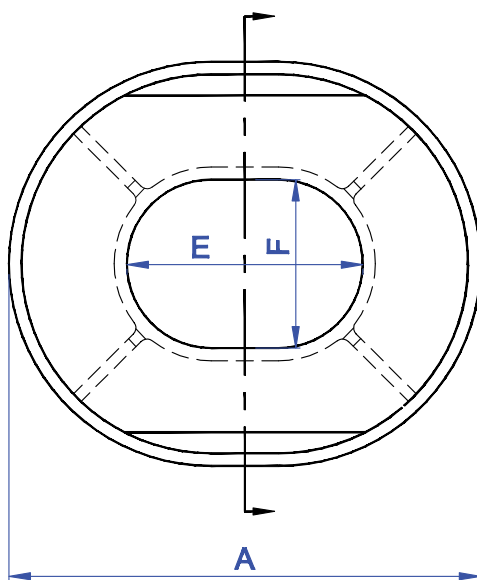
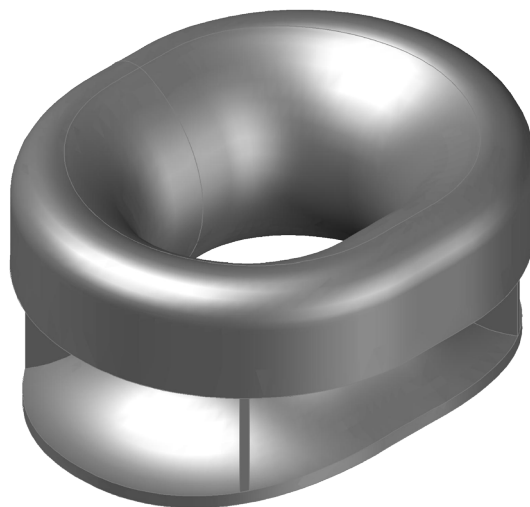
NABRICO

nabrico-marine.com

615.442.1300

The specifications and details described by drawings or text in this literature are subject to change without notice.

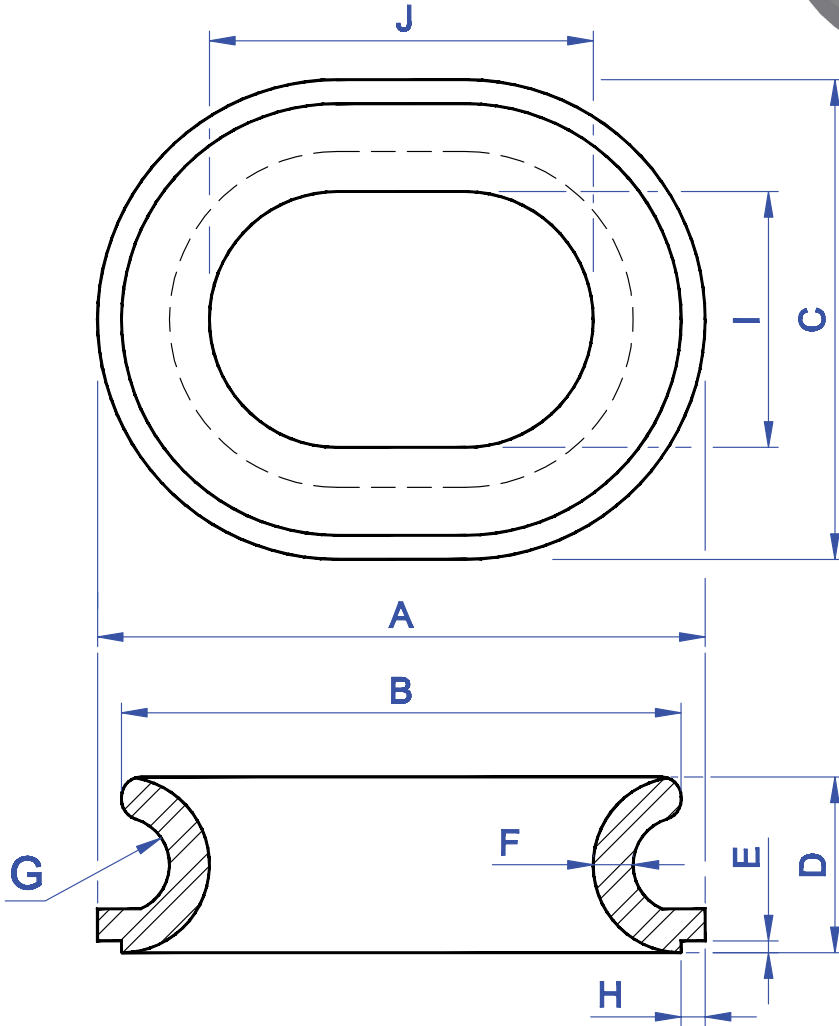
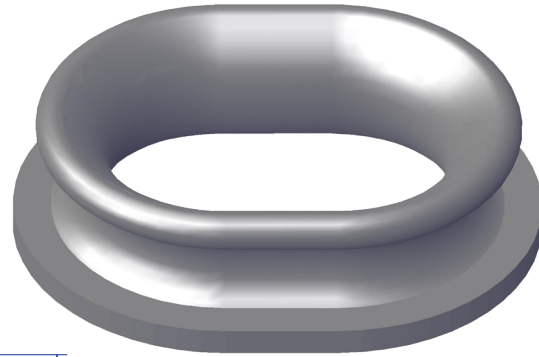
CAST STEEL PANAMA CANAL CHOCK (BULWARK)



CHOCKS

MODEL No.	PART No.	SIZE	A	B	C	D	E	F	G	H	WT. (lbs.)
DF-531	21551	12x10	25-1/2"	13-1/2"	23-1/2"	6-1/2"	12"	10"	7"	3/4"	256
DF-531	21550	14x10	27-1/2"	13-1/2"	23-1/2"	6-1/2"	14"	10"	7"	3/4"	410

CAST STEEL MOORING RING



CHOCKS

MODEL No.	PART No.	SIZE	A	B	C	D	E	F	G	H	I	J	WT. (lbs.)
DF-528	21512	8x12	19"	17-1/2"	15"	5-1/2"	3/8"	1-1/4"	1-1/2"	3/4"	8"	12"	130



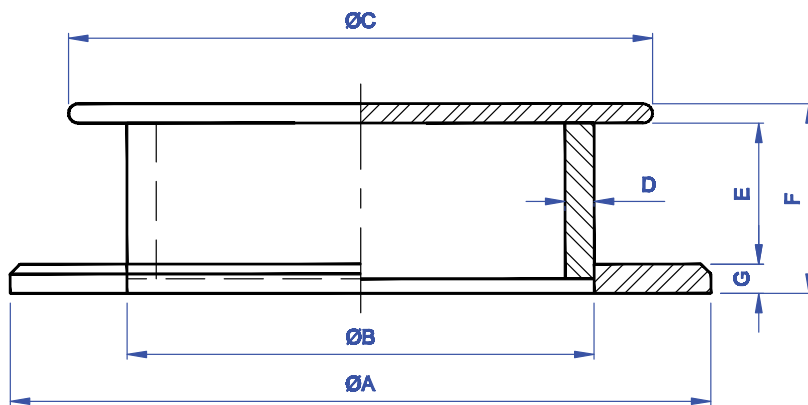
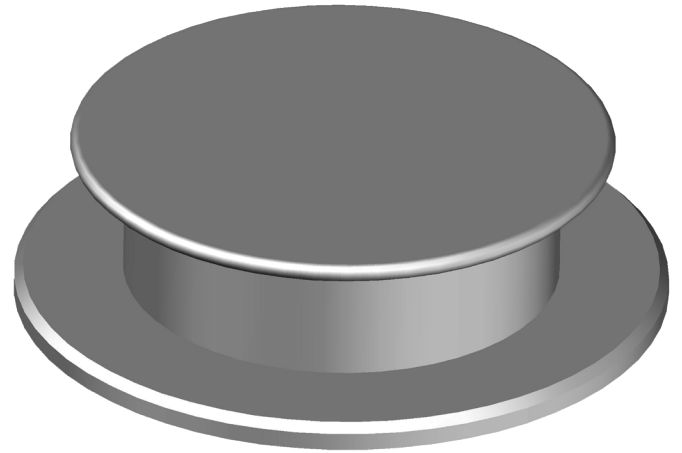
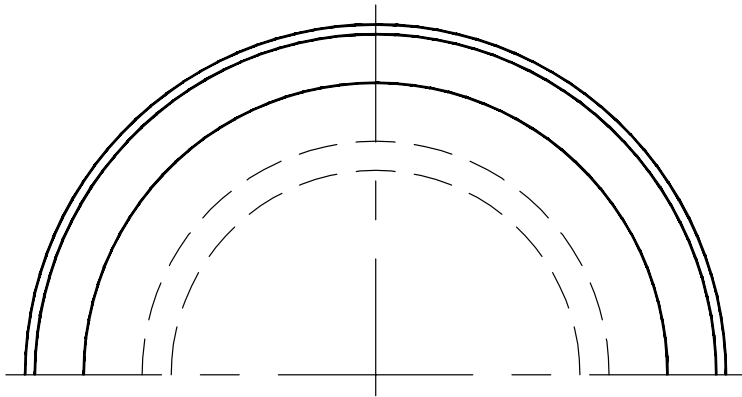
NABRICO

nabrico-marine.com

615.442.1300

The specifications and details described by drawings or text in this literature are subject to change without notice.

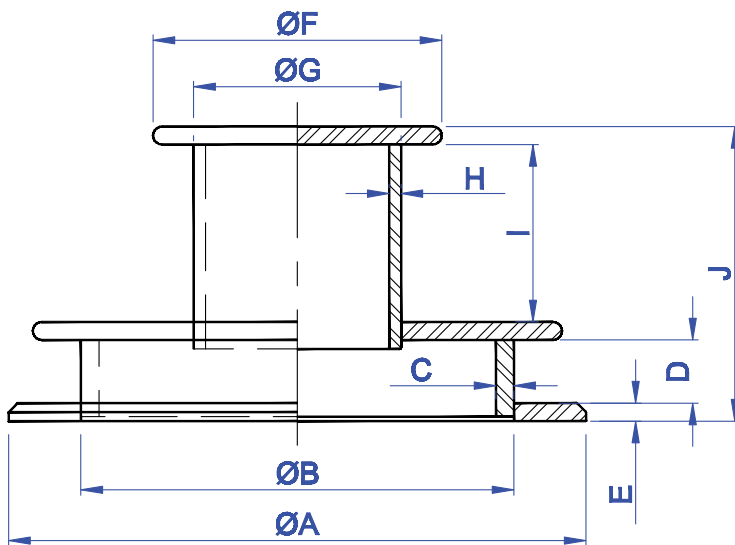
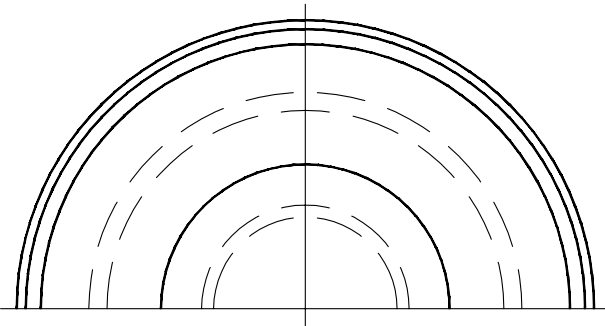
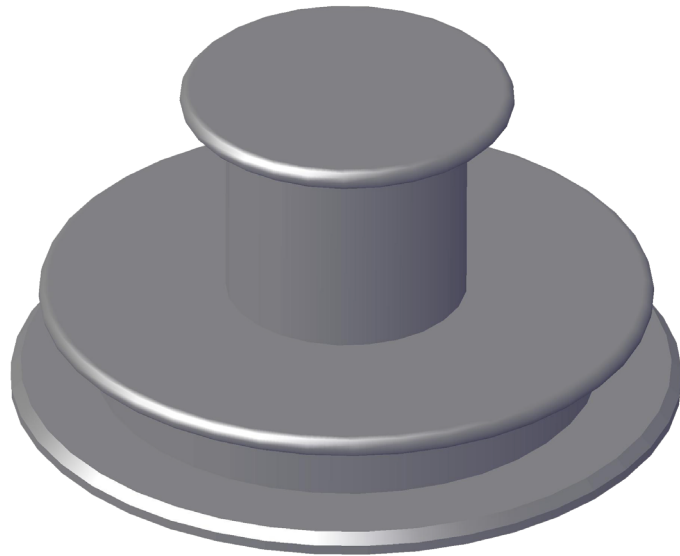
FABRICATED STEEL BUTTON CHOCK



MODEL No.	PART No.	SIZE	ØA	ØB	ØC	D	E	F	G	WT. (lbs.)
DF-148	6611	3-1/2"	8"	3-1/2"	7"	N/A	1-3/4"	3-1/4"	1"	25
DF-129	6689	8-1/2"	14-5/8"	8-5/8"	11-5/8"	7/8"	1-3/4"	3"	3/4"	52
DF-158	6506	8-1/2"	14-5/8"	8-5/8"	11-5/8"	7/8"	3"	4-1/4"	3/4"	62
DF-129A	6662	11"	17"	11"	14"	1"	1-3/4"	3"	3/4"	70
DF-158A	6492	12"	18"	12"	15"	3/4"	3-5/8"	4-7/8"	3/4"	95

CHOCKS

FABRICATED STEEL COMBINATION BITT



CHOCKS

MODEL No.	PART No.	ØA	ØB	C	D	E	ØF	ØG	H	I	J	WT. (lbs.)
DF-163	13803	24"	18"	3/4"	2-5/8"	3/4"	12"	8-5/8"	1/2"	7-3/8"	12-1/4"	210



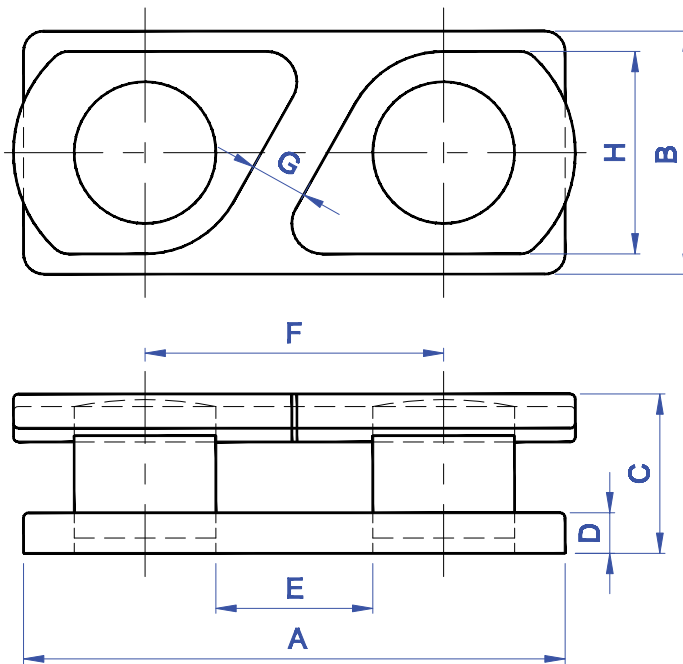
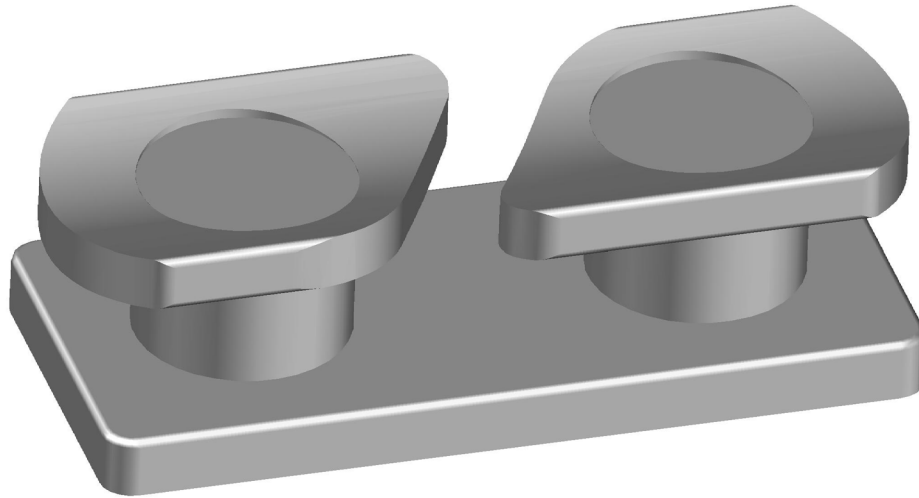
NABRICO

nabrico-marine.com

615.442.1300

The specifications and details described by drawings or text in this literature are subject to change without notice.

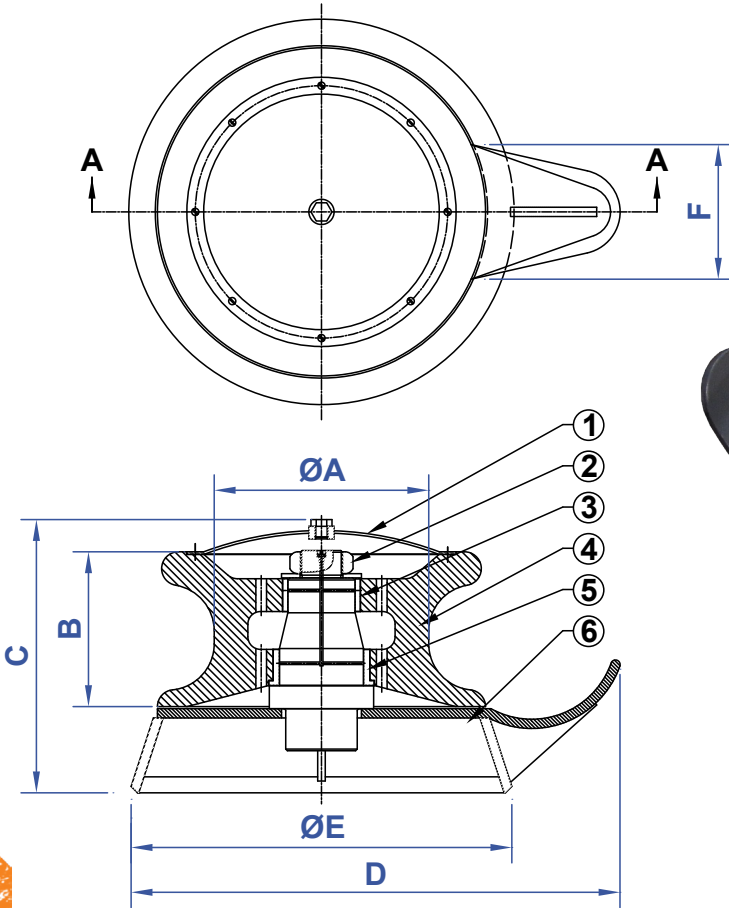
FABRICATED STEEL OPEN CHOCK



CHOCKS

MODEL No.	PART No.	A	B	C	D	E	F	G	H	WT. (lbs.)
DF-149	6602	13-3/8"	6"	4"	1"	3-7/8"	7-3/8"	1-3/8"	5"	47

FAIRLEAD PEDESTAL ROLLER



CHOCKS

PIECE No.	DESCRIPTION	QTY	MATERIAL
1	COVER	1	STEEL
2	SECURING NUT	1	STEEL
3	TOP ROLLER BUSHING	1	BRONZE
4	ROLLER BODY	1	CAST STEEL
5	BOTTOM ROLLER BUSHING	1	BRONZE
6	BASE ASSEMBLY	1	STEEL

MODEL No.	PART No.	SIZE	ØA	B	C	D	ØE	F	WT. (lbs.)
DF-517-12	84650	12"	12"	10-5/8"	21-3/16"	26-1/2"	22"	7"	510
DF-517-20	84655	20"	20"	14-1/2"	25"	45-1/4"	35-5/8"	12-1/2"	750

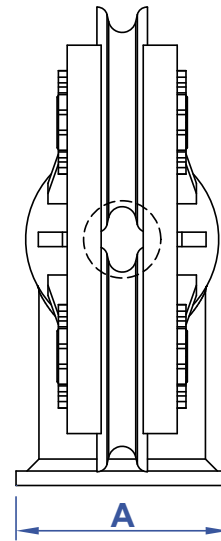
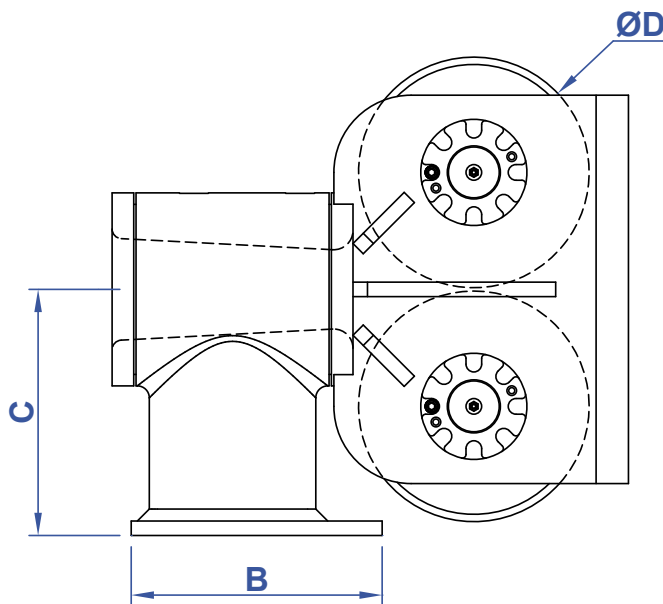
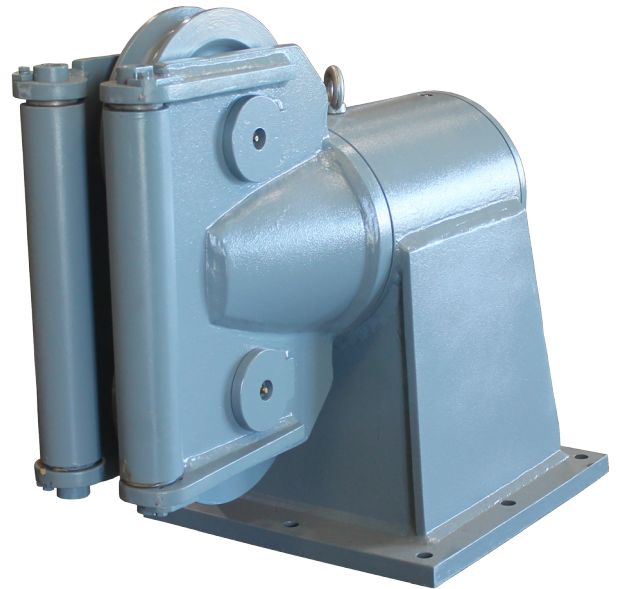
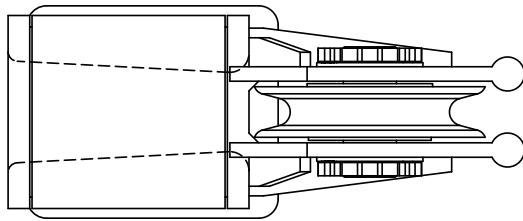


nabrico-marine.com

615.442.1300

The specifications and details described by drawings or text in this literature are subject to change without notice.

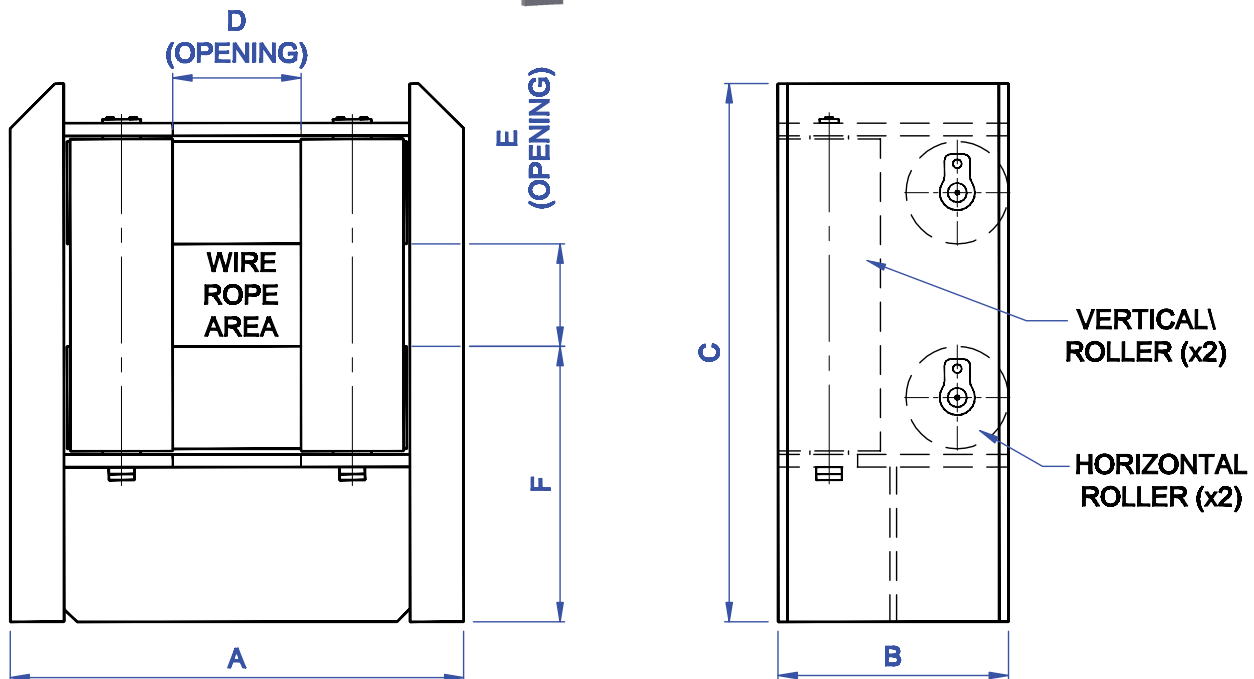
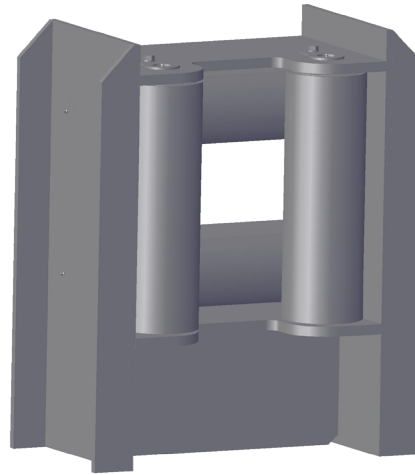
PIVOTING FAIRLEAD



CHOCKS

MODEL No.	PART No.	MAX WIRE SIZE	A	B	C	ØD
PF20	14700	3/4"	15-3/4"	16-3/4"	13-3/4"	9-7/8"
PF25	14701	1"	15-3/4"	16-3/4"	14-1/8"	9-7/8"
PF38	14702	1-1/2"	29-7/8"	29-7/8"	19-1/4"	15-3/4"

FAIRLEAD ROLLER



MODEL No.	PART No.	SIZE	A	B	C	D	E	F	WT. (lbs.)
DF-462	84644	10x8	35-3/8"	18"	42"	10"	8"	21-1/2"	1850
DF-462	84640	12x12	37"	18"	46"	12"	12"	21-1/2"	1900



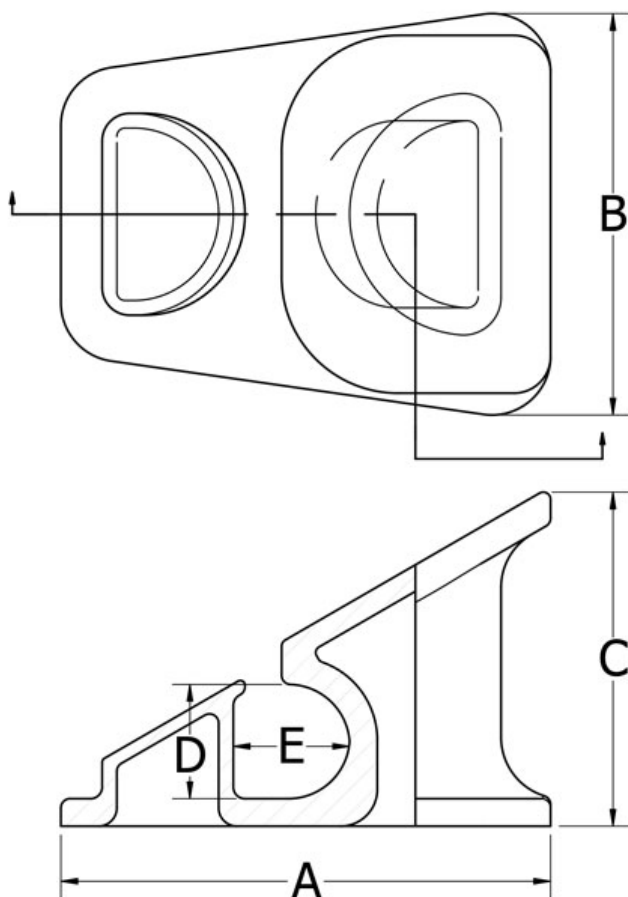
NABRICO

nabrico-marine.com

615.442.1300

The specifications and details described by drawings or text in this literature are subject to change without notice.

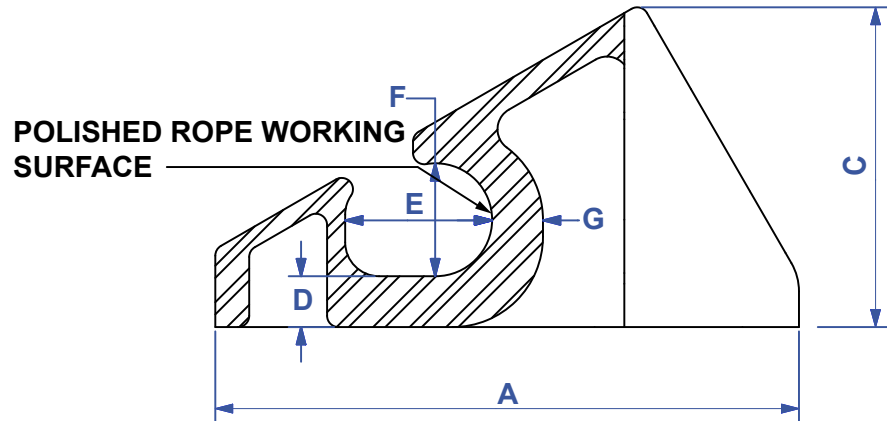
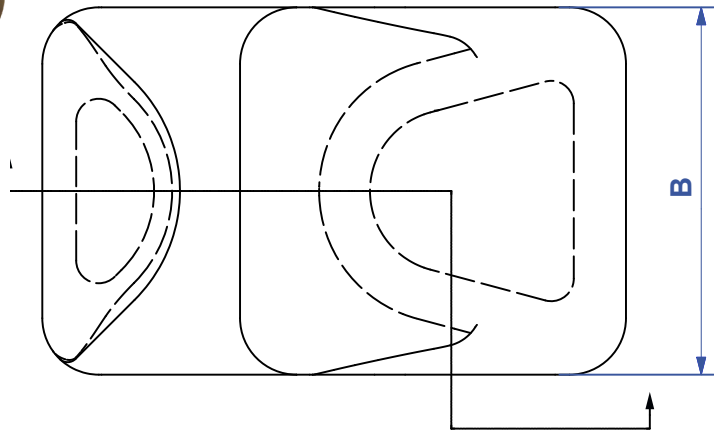
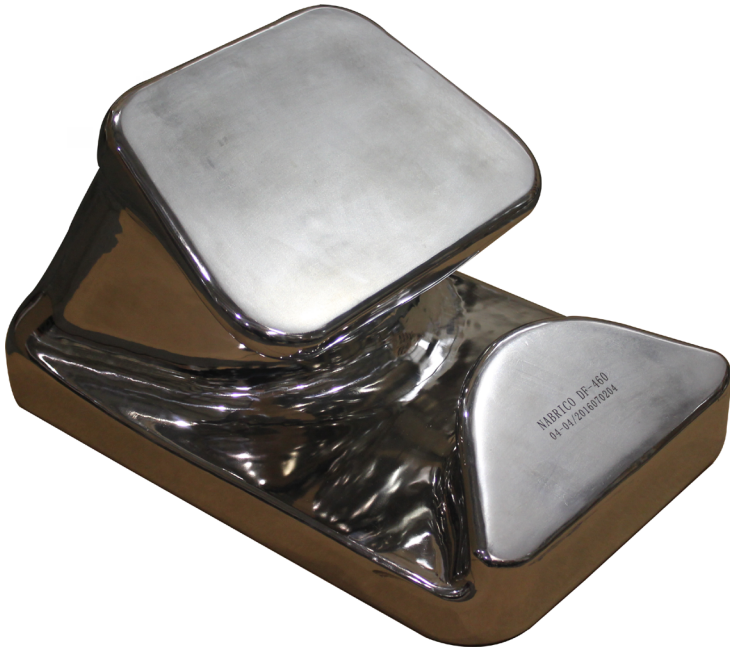
STAINLESS STEEL FIXED CHOCK



CHOCKS

MODEL No.	PART No.	A	B	C	D	E	WT. (lbs.)
DF-460-3	89242	16-1/2"	11-13/16"	11-1/4"	2"	4-7/8"	170

STAINLESS STEEL FIXED CHOCK



CHOCKS

MODEL No.	PART No.	A	B	C	D	E	F	G	SWL	WT. (lbs.)
DF-460-10	89243	20-5/16"	12-13/16"	11-1/8"	1-3/4"	5-1/8"	4"	1-3/4"	500 TONS	256



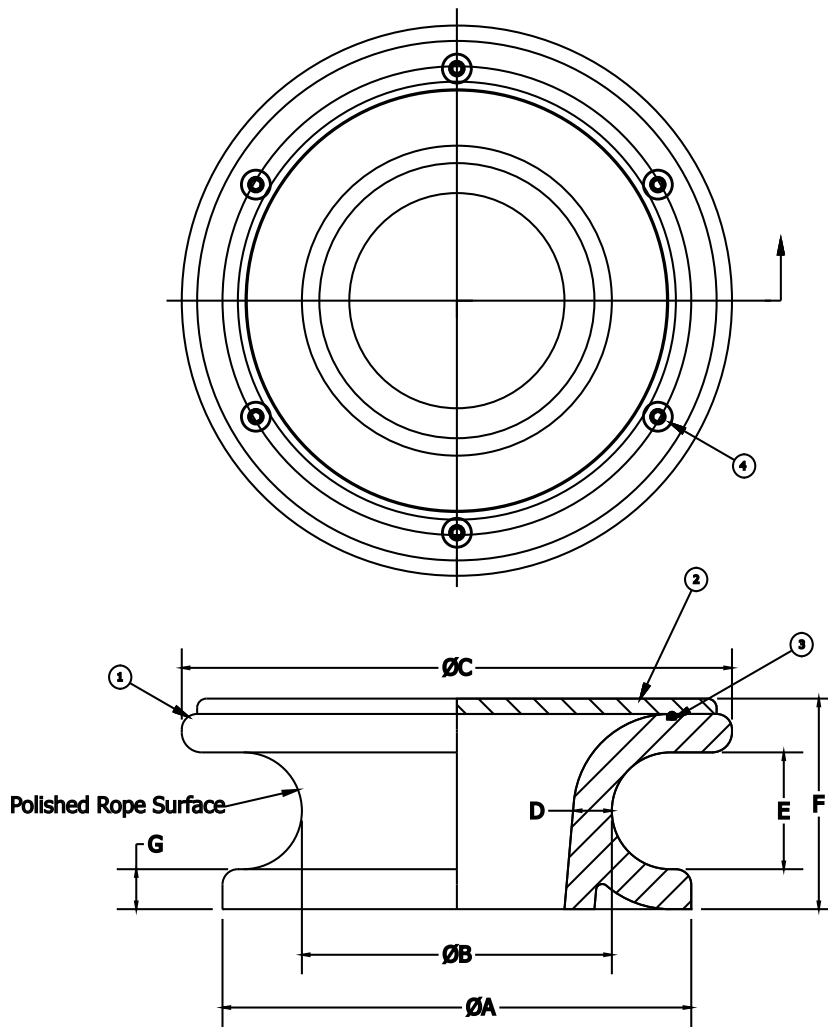
NABRICO

nabrico-marine.com

615.442.1300

The specifications and details described by drawings or text in this literature are subject to change without notice.

STAINLESS STEEL CHOCK

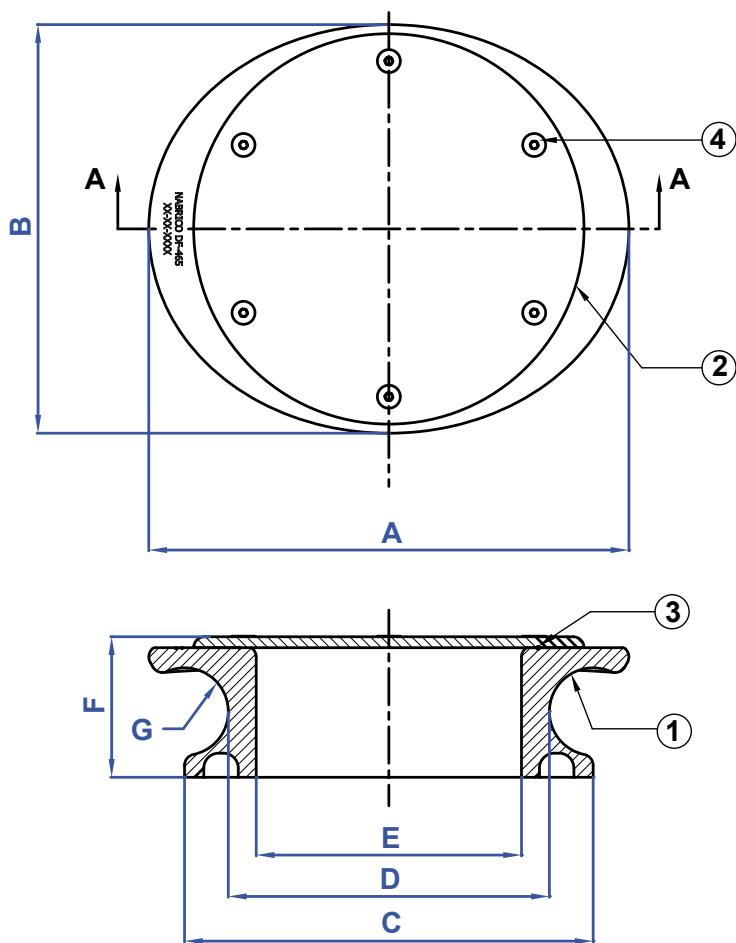


PIECE No.	DESCRIPTION	PART No.	MATERIAL
1	BUTTON CHOCK BODY	89232	304 STAINLESS STEEL
2	CHOCK COVER PLATE	89233	304 STAINLESS STEEL
3	LID GASKET	89234	NEOPRENE
4	3/8 - 16 UNC FLAT HEAD SOCKET SCREW	466	316 STAINLESS STEEL

MODEL No.	PART No.	SIZE	A	B	C	D	$\varnothing E$	F	$\varnothing G$	WT. (lbs.)
DF-565	89231	8"	12"	8"	14-1/6"	1"	3"	5-3/8"	1"	99

CHOCKS

STAINLESS STEEL BUTTON CHOCK



SECTION A-A

CHOCKS

PIECE No.	DESCRIPTION	PART No.	MATERIAL
1	BUTTON CHOCK BODY	89237	304 STAINLESS STEEL
2	CHOCK COVER PLATE	89236	304 STAINLESS STEEL
3	GASKET	89239	NEOPRENE
4	M10-1.5 x 25 FLAT SOCKET HEAD SCREW	465	304 STAINLESS STEEL

MODEL No.	PART No.	A	B	ØC	ØD	ØE	F	G	WT. (lbs.)
DF-465-17	89238	16-7/16"	14"	14"	11"	9-3/32"	4-13/16"	1-1/2"	108



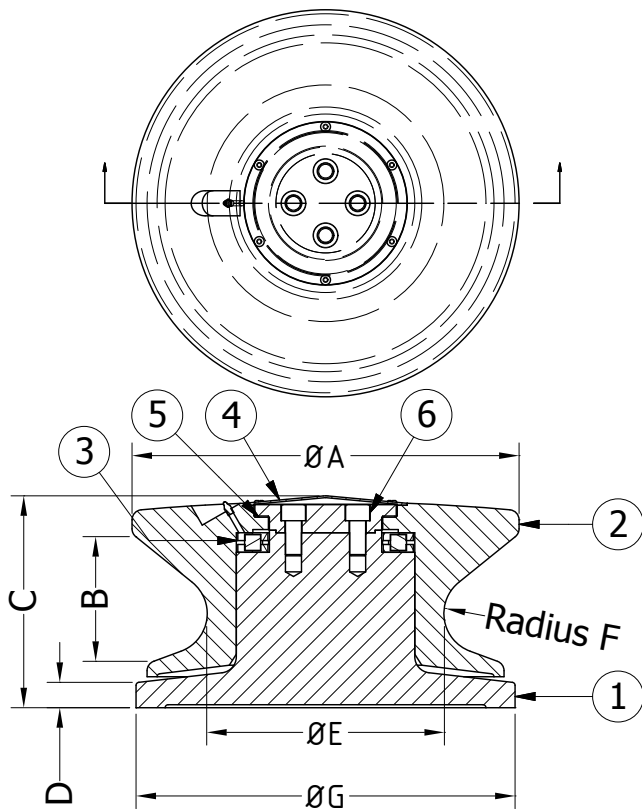
NABRICO

nabrico-marine.com

615.442.1300

The specifications and details described by drawings or text in this literature are subject to change without notice.

ROLLER CHOCK

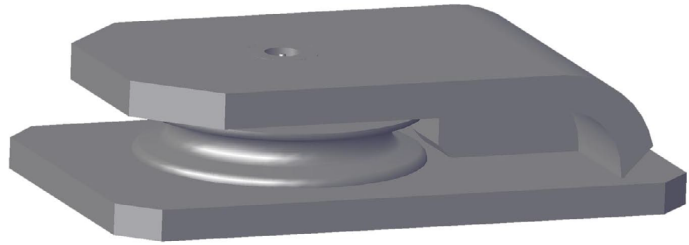
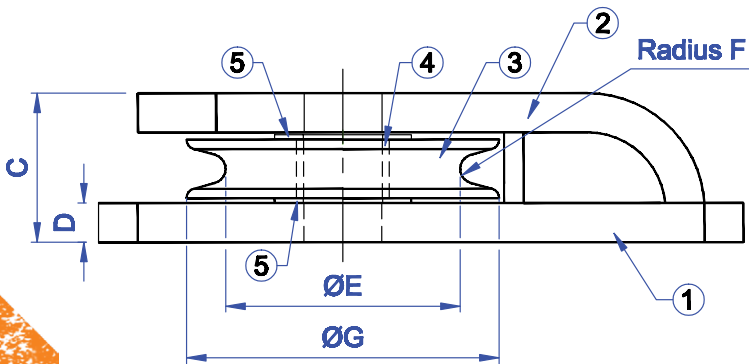
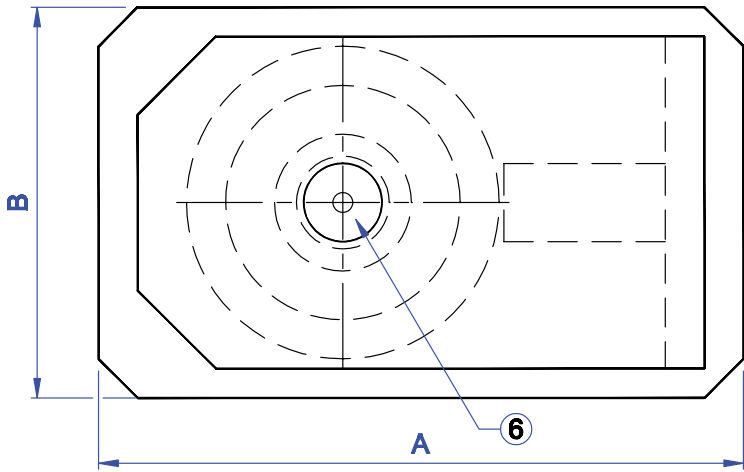


CHOCKS

PIECE No.	DESCRIPTION	PART No.	MATERIAL
1	ROLLER BASE	89200	MILD STEEL
2	ROLLER SHEAVE	89202	CAST IRON
3	PLANE BEARING	89204	BEARING STEEL
4	ROLLER COVER	89206	STAINLESS STEEL
5	ROLLER CAP	89208	STAINLESS STEEL
6	SOCKET SCREWS	89210	ALLOY STEEL

MODEL No.	PART No.	A	B	C	D	ØE	F	ØG	WT. (lbs.)
DF-100	89245	15-3/16"	4-7/8"	8-5/16"	1"	9-5/16"	1-9/16"	14-7/8"	254

SINGLE ROLLER CHOCK



CHOCKS

PIECE No.	DESCRIPTION	PART No.	MATERIAL
1	ROLLER BODY BOTTOM	76988	STEEL
2	ROLLER BODY TOP	76996	STEEL
3	ROLLER SHEAVE	77003	STEEL
4	BUSHING	77410	BRASS
5	WASHER	77046	BRASS
6	ROLLER PIN	77038	STEEL

MODEL No.	PART No.	SIZE	A	B	C	D	ØE	F	ØG	WT. (lbs.)
DF-361	13862	8"	16-1/2"	10"	3-13/16"	1"	6"	3/8"	8"	123

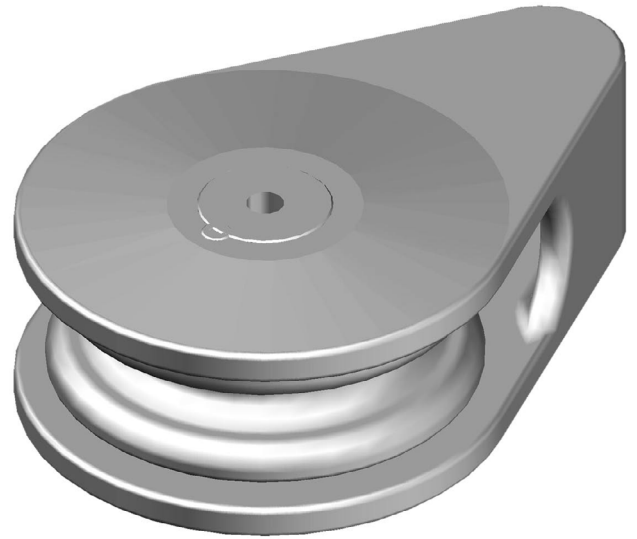
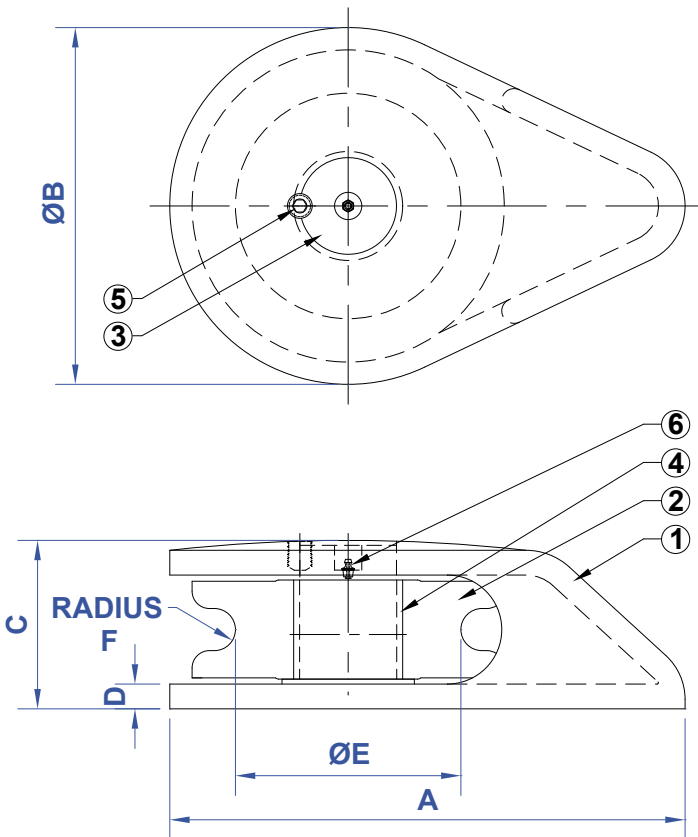


nabrigo-marine.com

615.442.1300

The specifications and details described by drawings or text in this literature are subject to change without notice.

SINGLE ROLLER CHOCK



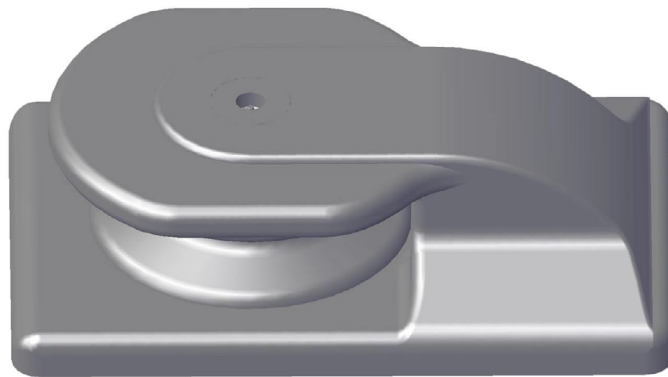
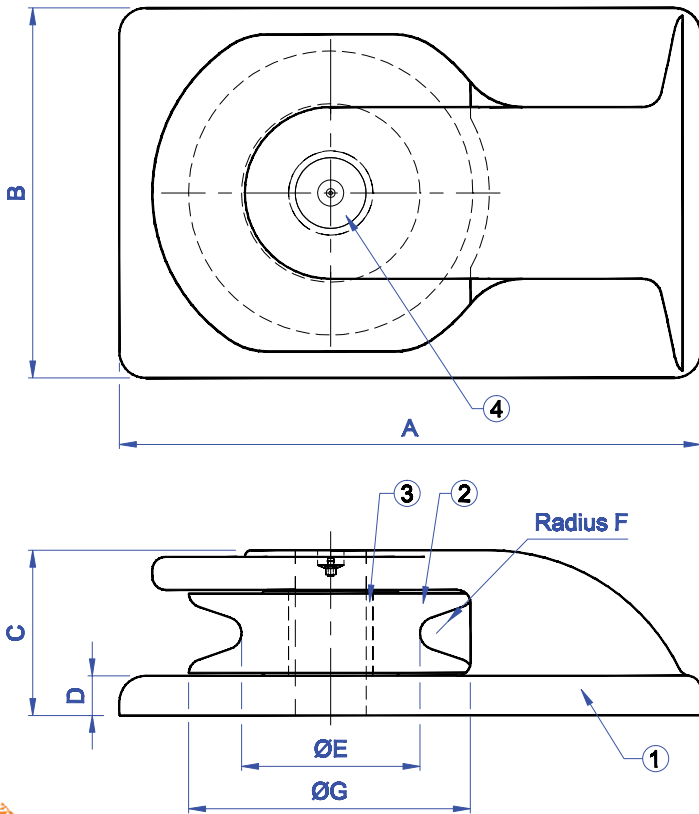
PIECE No.	DESCRIPTION	QTY	PART No.	MATERIAL
1	HOUSING ASSEMBLY	1	89273	CAST STEEL
2	ROLLER SHEAVE	1	89281	CAST STEEL
3	ROLLER PIN	1	89311	STEEL
4	BUSHING	1	89303	BRONZE
5	SET SCREW	1	70599	STAINLESS STEEL
6	GREASE FITTING	1	100101	STAINLESS STEEL

MODEL No.	PART No.	SIZE	A	ØB	C	D	ØE	F	WT. (lbs.)
DF-927	89265	8"	13"	9"	4-1/4"	5/8"	5-11/16"	17/32"	55

1- BUSHING (89303) IS INCLUDED WITH ROLLER SHEAVE.

CHOCKS

SINGLE ROLLER CHOCK



CHOCKS

PIECE No.	DESCRIPTION	PART No.	MATERIAL
1	HOUSING	6467	CAST STEEL
2	ROLLER SHEAVE	6734	CAST STEEL
3	BUSHING	6726	BRONZE
4	ROLLER PIN	76198	STEEL

MODEL No.	PART No.	SIZE	A	B	C	D	ØE	F	ØG	WT. (lbs.)
DF-164	6475	11"	22"	14"	6-1/4"	1-1/2"	6-3/4"	5/8"	10-3/4"	296

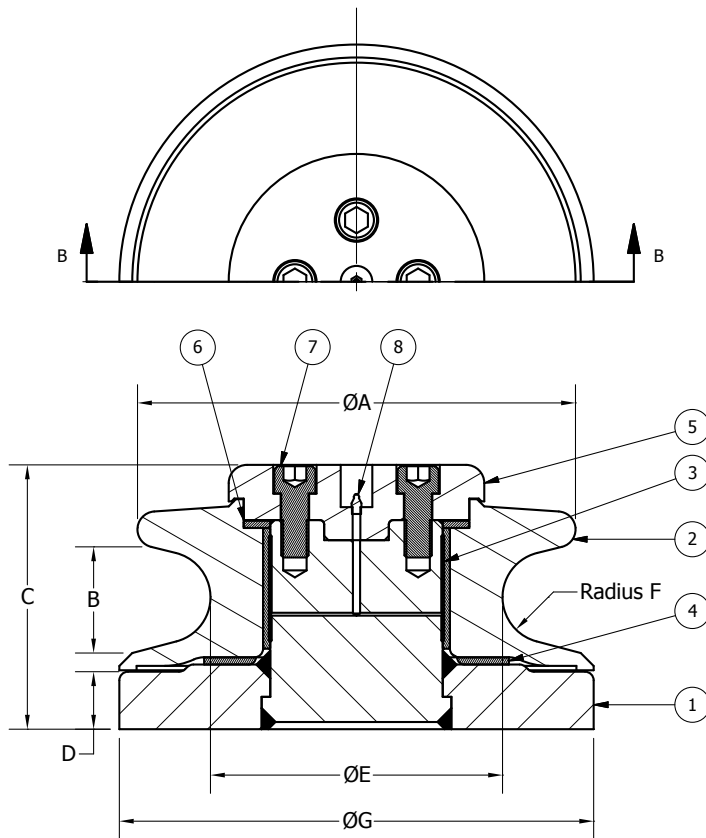

NABRICO

nabrico-marine.com

615.442.1300

The specifications and details described by drawings or text in this literature are subject to change without notice.

SINGLE ROLLER BUTTON CHOCK

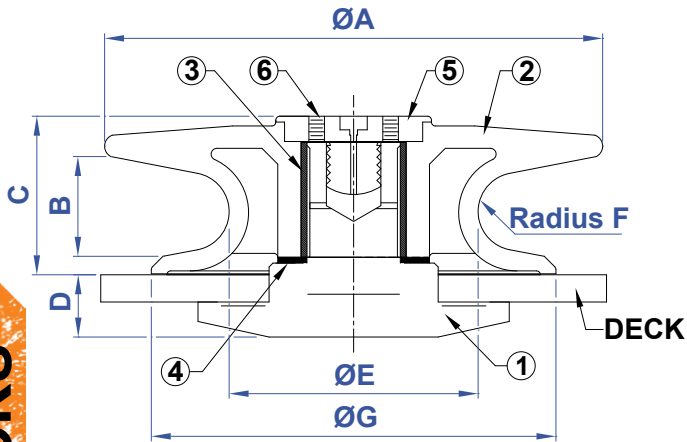
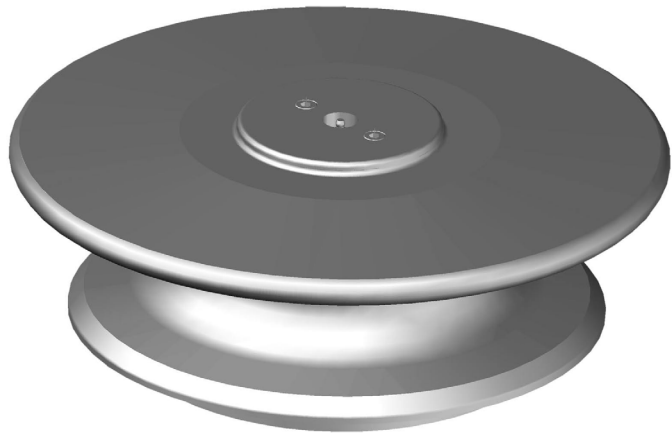
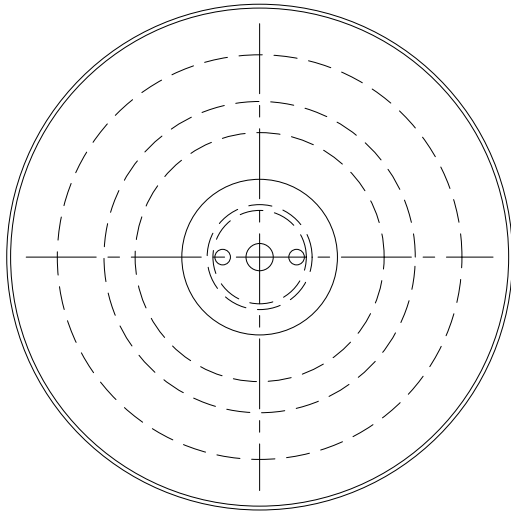


PIECE No.	DESCRIPTION	PART NUMBER		MATERIAL
		DF-512-5	DF-511-5	
1	ROLLER BASE ASSEMBLY	89194		MILD STEEL
2	ROLLER SHEAVE	89192	89189	CAST STEEL
3	BUSHING	89198		BRONZE
4	LOWER WASHER	89199		BRONZE
5	ROLLER CAP	89197		STAINLESS
6	UPPER WASHER	6913		BRONZE
7	CAP SCREW	413		STAINLESS
8	GREASE FITTING	100101		STAINLESS

MODEL No.	PART No.	SIZE	ØA	B	C	D	ØE	F	ØG	WT. (lbs.)
DF-512-5	89190	12"	12"	2-15/16"	7-1/4"	1-9/16"	8"	1-1/4"	13"	171
DF-511-5	89188	16"	16"	2-15/16"	7-1/4"	1-9/16"	8"	1-1/4"	13"	197

CHOCKS

THRU DECK SINGLE ROLLER BUTTON CHOCK



CHOCKS

PIECE No.	DESCRIPTION	PART No.	MATERIAL
1	ROLLER BASE	6971	CAST STEEL
2	ROLLER SHEAVE	6947	CAST STEEL
3	BUSHING	6920	BRONZE
4	WASHER	6912	BRASS
5	ROLLER CAP	6939	BRASS
6	SET SCREW	74918	STAINLESS

MODEL No.	PART No.	SIZE	A	B	C	D	ØE	F	ØG	WT. (lbs.)
DF-11	6998	16"	16"	3-3/16"	5-1/16"	2"	8"	1-1/4"	13"	126



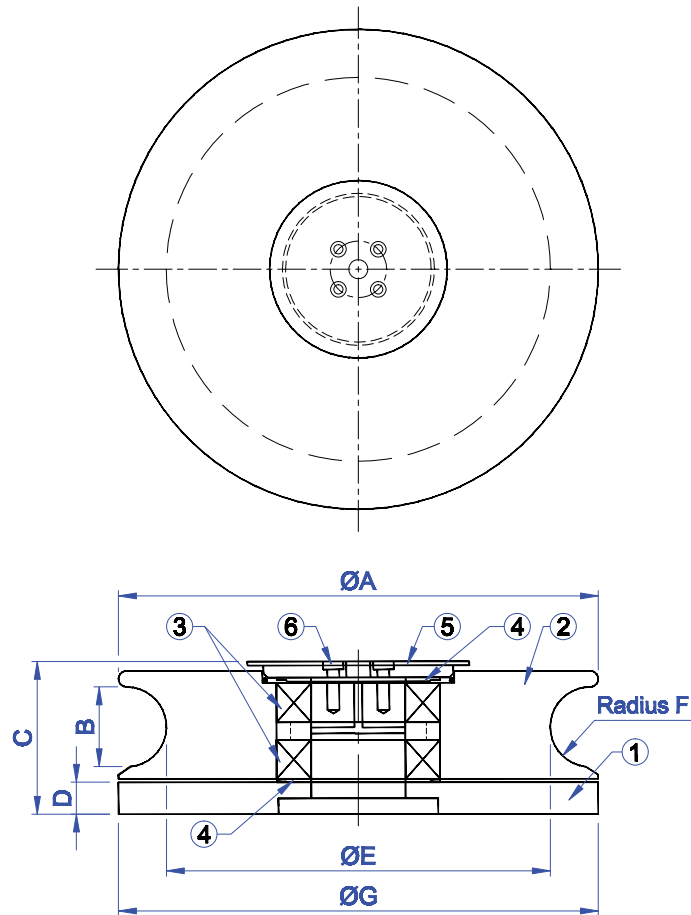
NABRICO

nabrico-marine.com

615.442.1300

The specifications and details described by drawings or text in this literature are subject to change without notice.

HEAVY DUTY SINGLE ROLLER BUTTON CHOCK

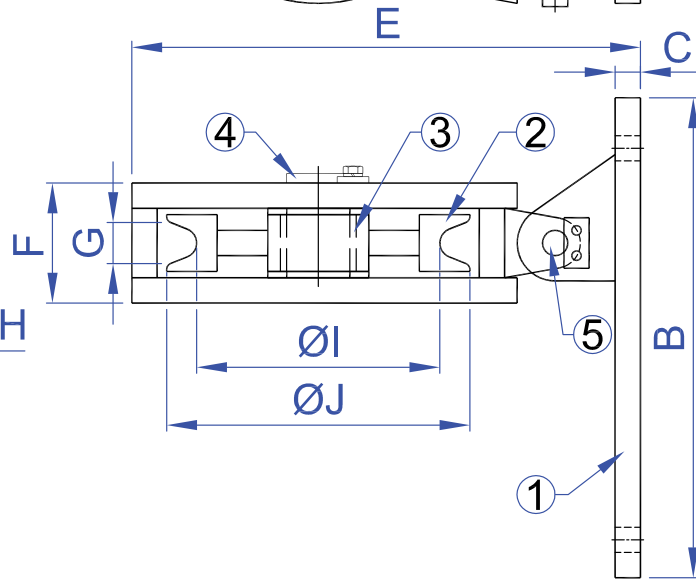
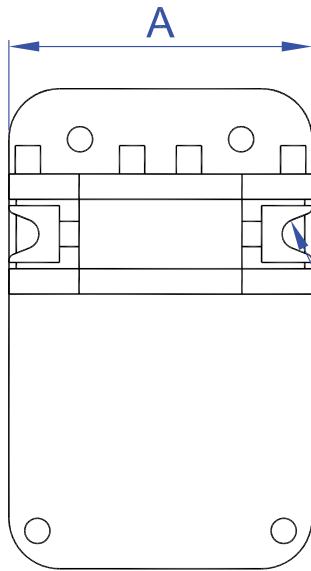
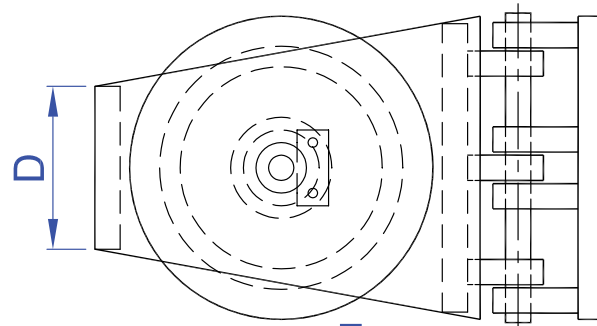
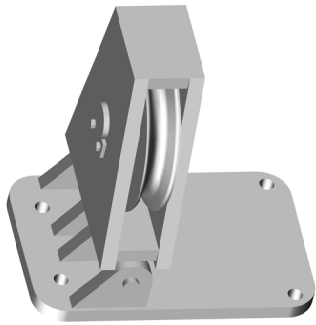


PIECE No.	DESCRIPTION	PART No.	MATERIAL
1	ROLLER BASE	79026	STEEL
2	ROLLER SHEAVE	79027	STEEL
3	ROLLER BEARING (x2)	79025	STAINLESS
4	WASHER (x2)	79028	STEEL
5	ROLLER CAP	79029	STEEL
6	SCREW	79030	STAINLESS

MODEL No.	PART No.	SIZE	ØA	B	C	D	ØE	F	ØG	WT. (lbs.)
DF-511HD	89250	15"	15"	2-1/2"	6"	1"	12"	1-1/4"	15"	180

CHOCKS

PIVOTING ROLLER CHOCK



CHOCKS

PIECE No.	DESCRIPTION	PART No.		MATERIAL
		DF-710	DF-712	
1	MOUNTING PLATE	6735		STEEL
2	ROLLER SHEAVE	6736	6738	STAINLESS
3	BUSHING	6740		BRONZE
4	ROLLER PIN	6737		STAINLESS
5	HINGE PIN	6739		STAINLESS

MODEL No.	PART No.	SIZE	A	B	C	D	E	F	G	H	ØI	J	WT. (lbs.)
DF-710	6478	10"	12"	19"	1"	6-1/2"	18-3/4"	4-3/4"	1-7/8"	1/2"	7-1/2"	10"	210
DF-712	6479	12"	12"	19"	1"	6-1/2"	20-1/4"	4-3/4"	2"	9/16"	9-1/2"	12"	240



NABRICO

nabrico-marine.com

615.442.1300

The specifications and details described by drawings or text in this literature are subject to change without notice.

SPECIALTY

NABRICO manufactures expansion domes, portlights, fuel/oil tanks, drip pans, dog handles and many other custom castings and fabrications. While many of these items are stock items, NABRICO can custom fit many of our products to your specific requirements. For over 100 years, NABRICO has been using their engineering ingenuity to ensure that our products fit the specific needs of our customers.

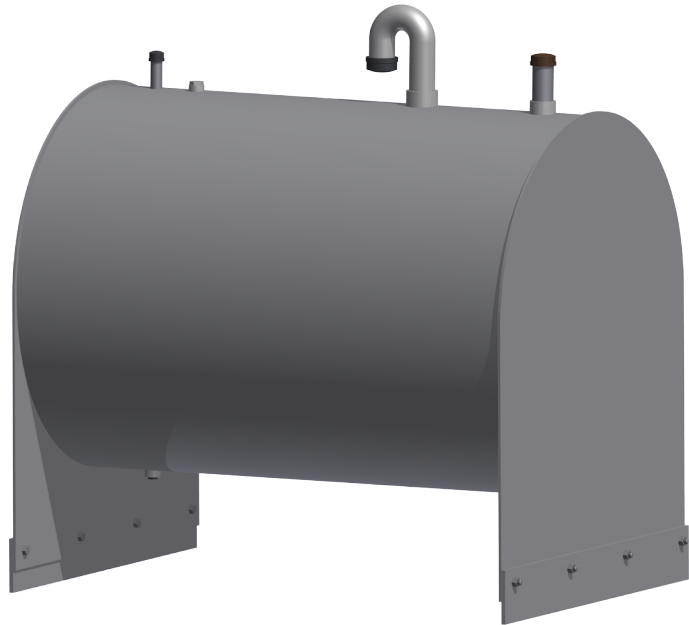
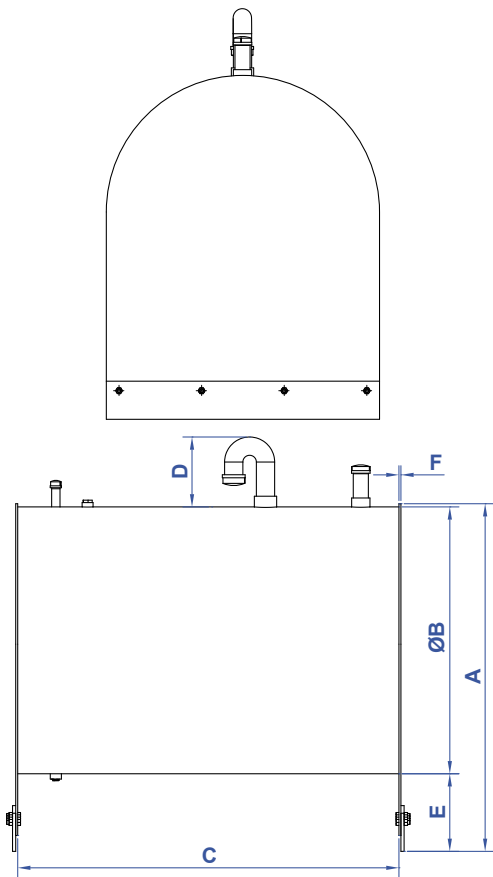


SPECIALTY

FUEL/OIL TANK.....	200	DRY BOX.....	232
WARNING SIGN.....	203	EXPANSION PLATE.....	233
HEADS.....	206	DRIP PAN / COVER.....	234
BILGE PLATES.....	208	DOOR DOG KIT.....	236
D-RING.....	209	DOG HANDLE.....	238
CORNER PLATES.....	210	DOUBLE WING HANDLE.....	239
SUCTION BELLMOUTH.....	211	TUMBLE BOLT.....	240
RATCHET STRAP.....	215	TUMBLE BOLT PIN.....	241
STUFFING GLAND.....	216	TUMBLE BOLT LUG.....	242
EXPANSION TRUNK.....	217	DOGGING PAD.....	243
EXPANSION DOME.....	219	TUMBLE BOLT LUG.....	244
INTERLOCKING PIN.....	220	DOGGING PAD.....	245
FLAG POLE.....	221	FLANGED HEX NUT.....	246
BARGE CRANE.....	226	SPREADER BAR.....	247
RUNNING LIGHT STAND.....	227		
LADDER.....	228		
STEERING POLE.....	229		
DOCUMENT BOX.....	230		

SPECIALTY

300 GALLON FUEL OIL TANK



PIECE No.	DESCRIPTION
1	FILL w/ BRASS CAP AND CHAIN
2	VENT PIPE w/ FLAME SCREEN
3	RETURN CONNECTION
4	SUCTION CONNECTION
5	OPTIONAL SUPPLY CONNECTION
6	DRAIN w/ PLUG

MODEL No.	PART No.	SIZE	A	ØB	C	D	E	F	WT. (lbs.)
DF-448	6249	300 GALLON	55"	42"	60"	10"	12"	5/16"	715

SPECIALTY



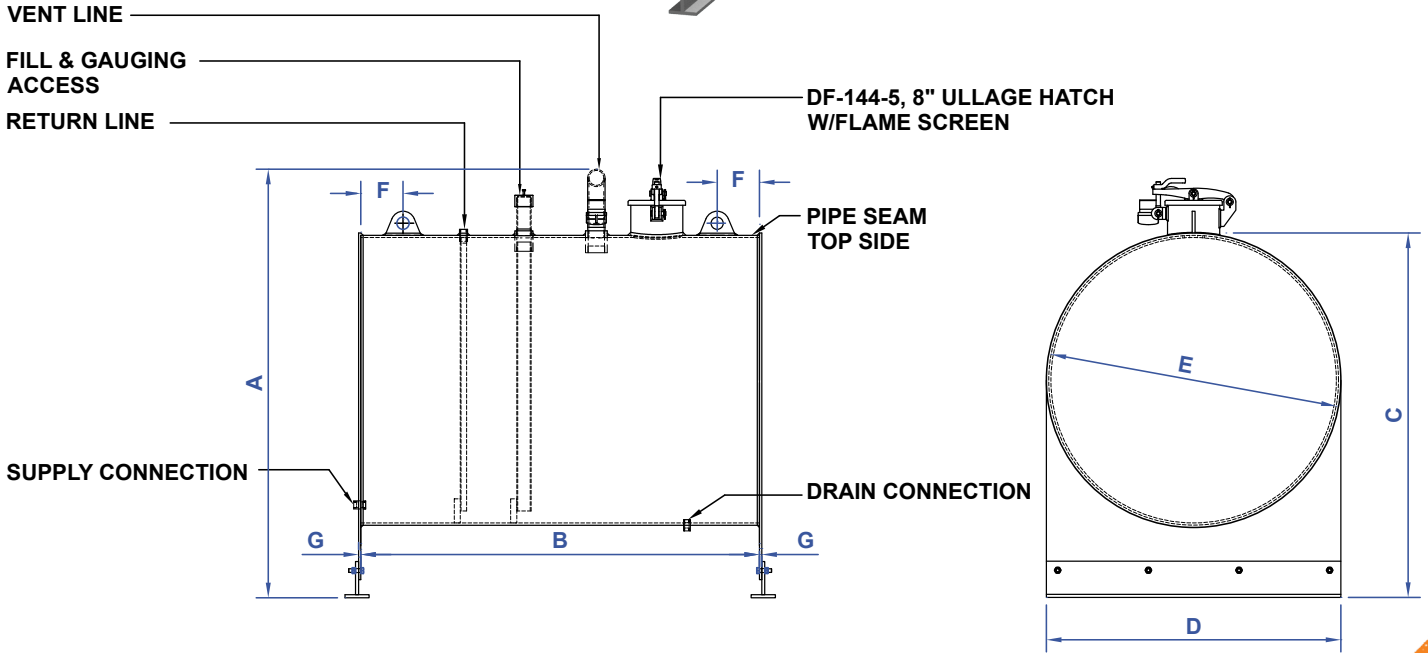
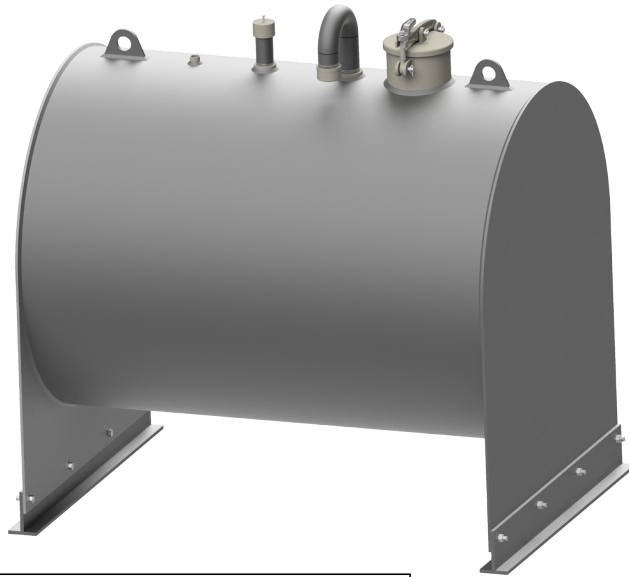
NABRICO

nabrico-marine.com

615.442.1300

The specifications and details described by drawings or text in this literature are subject to change without notice.

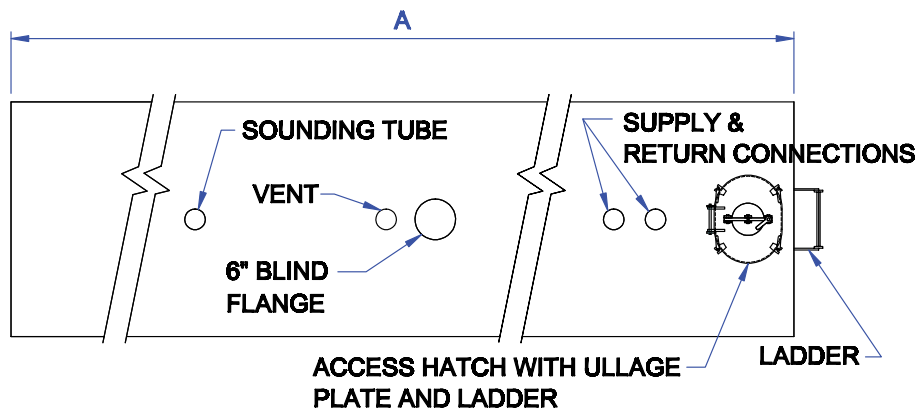
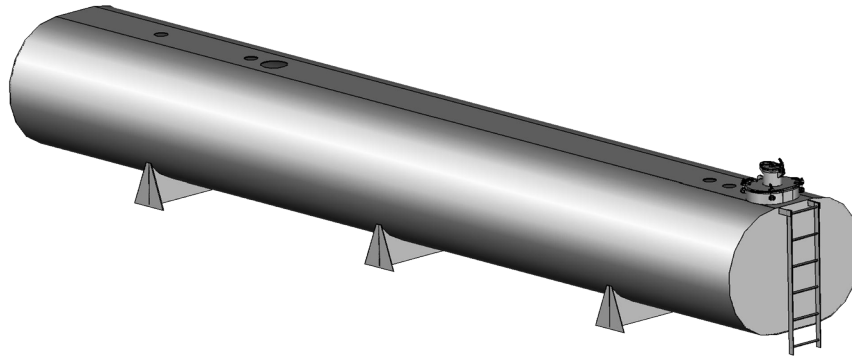
500 GALLON FUEL TANK



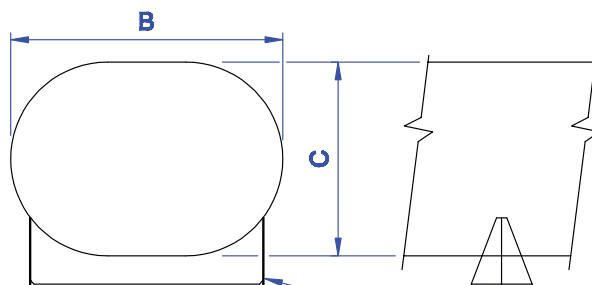
MODEL No.	PART No.	SIZE	A	B	C	D	ØE	F	G	WT. (lbs)
DF-457	87881	500 GALLON	71"	66"	60-3/8"	48-3/4"	48"	7"	3/8"	1800

SPECIALTY

7500 GALLON DECK TANK



PLAN VIEW



TYPICAL CROSS SECTION

FOUNDATIONS LOCATED TO SUIT SUPPORTING STRUCTURE

MODEL No.	PART No.	SIZE	A	ØB	C	WT. (lbs.)
DF-136	87912	7500 GALLON	37'-6"	6'-8"	4'-9"	9800

1- CUSTOM SIZES AND STYLES AVAILABLE.

SPECIALTY



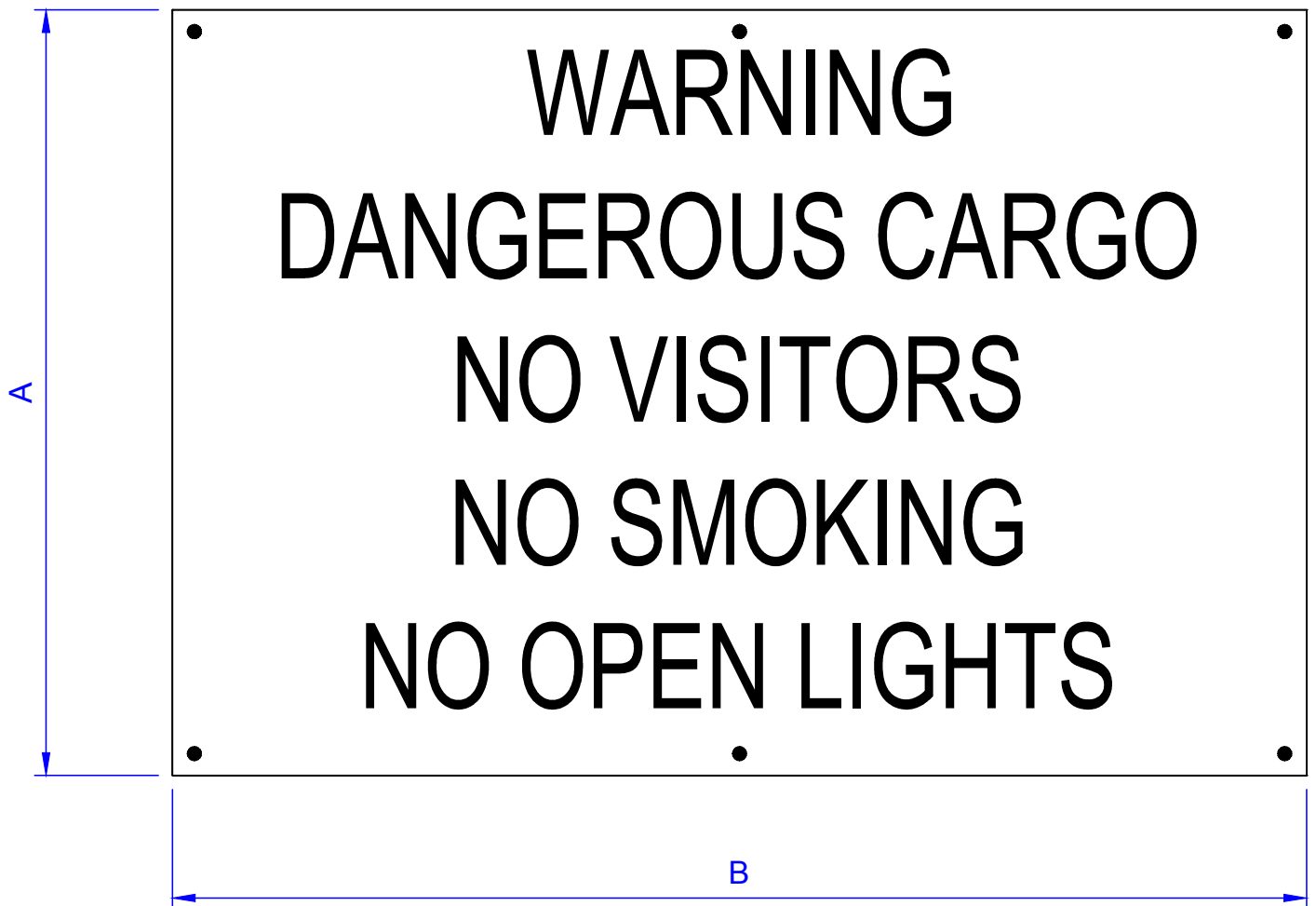
NABRICO

nabrico-marine.com

615.442.1300

The specifications and details described by drawings or text in this literature are subject to change without notice.

ALUMINUM WARNING SIGN

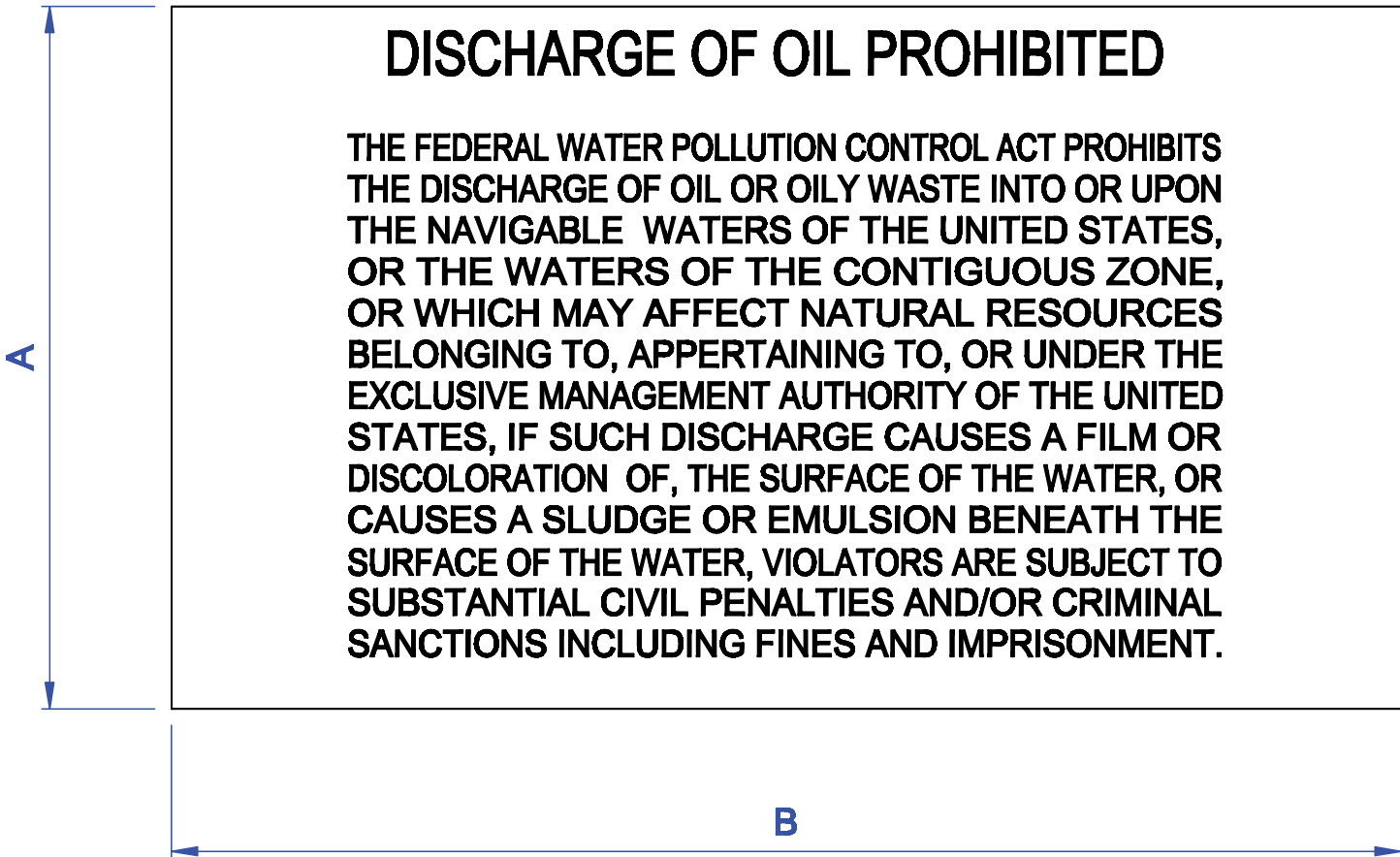


- NOTES: 1. THE SIGN CONFORMS TO 46CFR151.45-2(e) (1)
2. INFORMATION SHOWN ON BOTH SIDES OF SIGN

MODEL No.	PART No.	SIZE	A	B	WT. (lbs.)
DF-125	6718	27x40	27"	40"	5

SPECIALTY

OIL POLLUTION WARNING SIGN



- NOTES:**
1. THIS SIGN CONFORMS TO 33 CFR 155.450 (a)
 2. INFORMATION SHOWN ON ONE SIDE OF SIGN
 3. RED LETTERS ON WHITE BACKGROUND
 4. COMES WITH DOUBLE-SIDED FOAM TAPE FOR EASY MOUNTING

MODEL No.	PART No.	SIZE	A	B	WT. (lbs.)
DF-513	75434	8x14	8"	14"	1

SPECIALTY



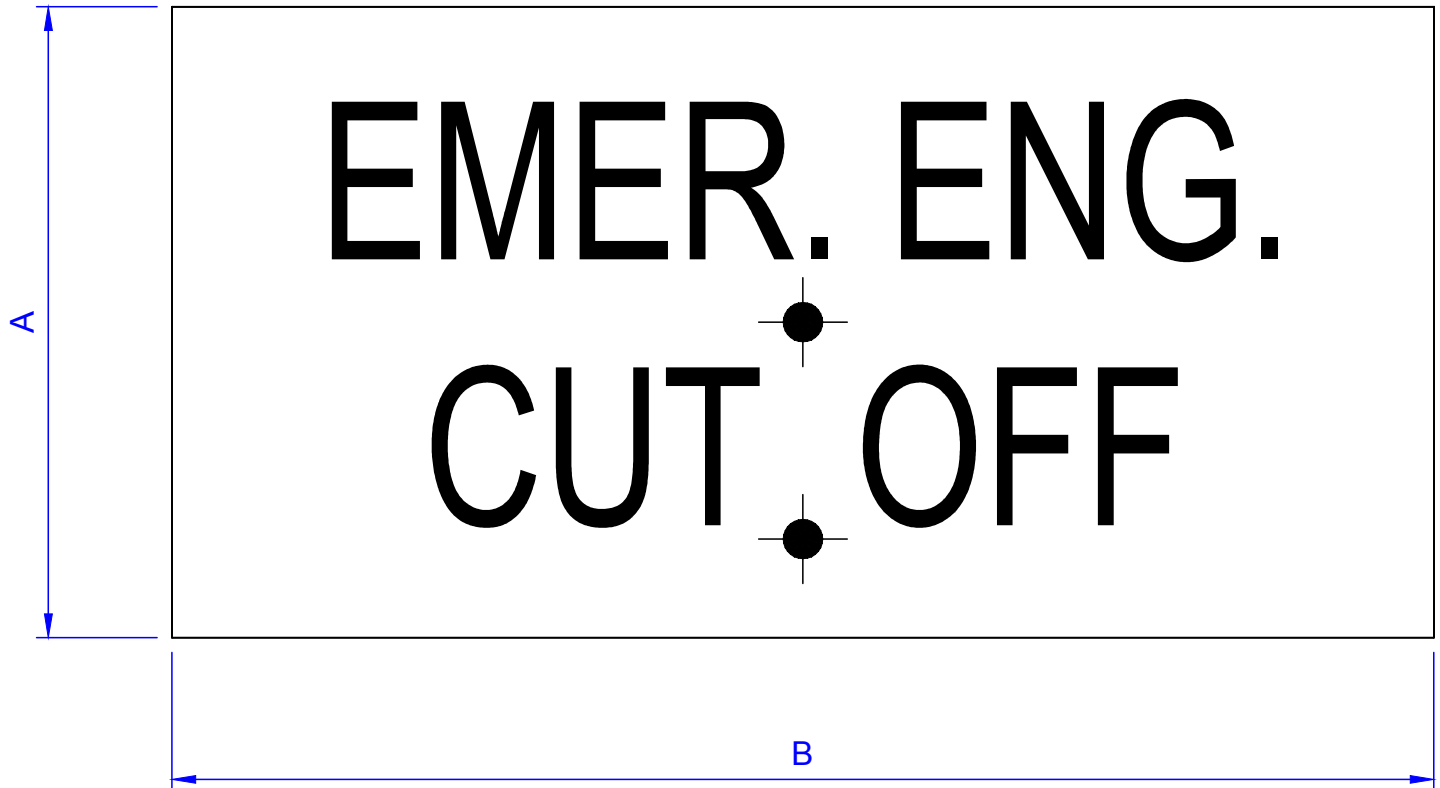
NABRICO

nabrico-marine.com

615.442.1300

The specifications and details described by drawings or text in this literature are subject to change without notice.

ALUMINUM EMERGENCY ENGINE CUT OFF SIGN

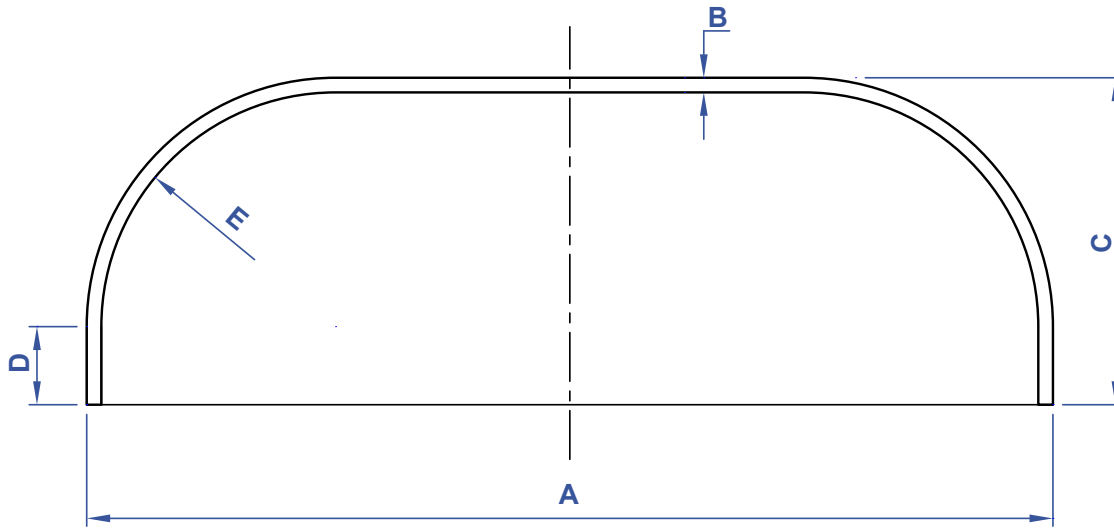
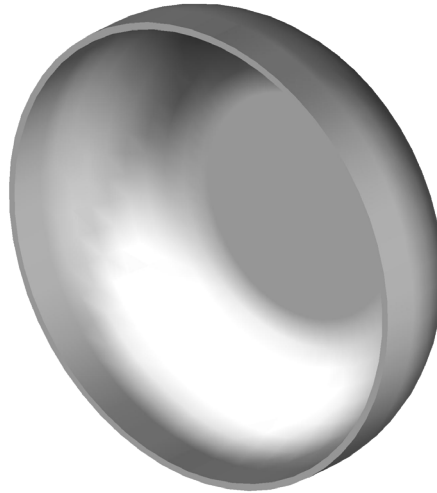


- NOTES: 1. INFORMATION SHOWN ON BOTH SIDES OF SIGN
2. THIS SIGN CONFORMS TO 46 CFR 32.50-35 (a)

MODEL No.	PART No.	SIZE	A	B	WT. (lbs.)
DF-335	6351	8x16	8"	16"	4

SPECIALTY

FLANGED HEAD



MODEL NO.	PART NO.	A	B	C	D	E	WT (LBS.)
SE-22	90042	24-3/4"	3/8"	8-3/8"	2"	6"	95
SE-29	89923	25-1/2"	3/4"	6-3/4"	0"	6"	160
SE-33	90040	36-3/4"	3/8"	6-3/8"	3"	1-1/8"	140

SPECIALTY



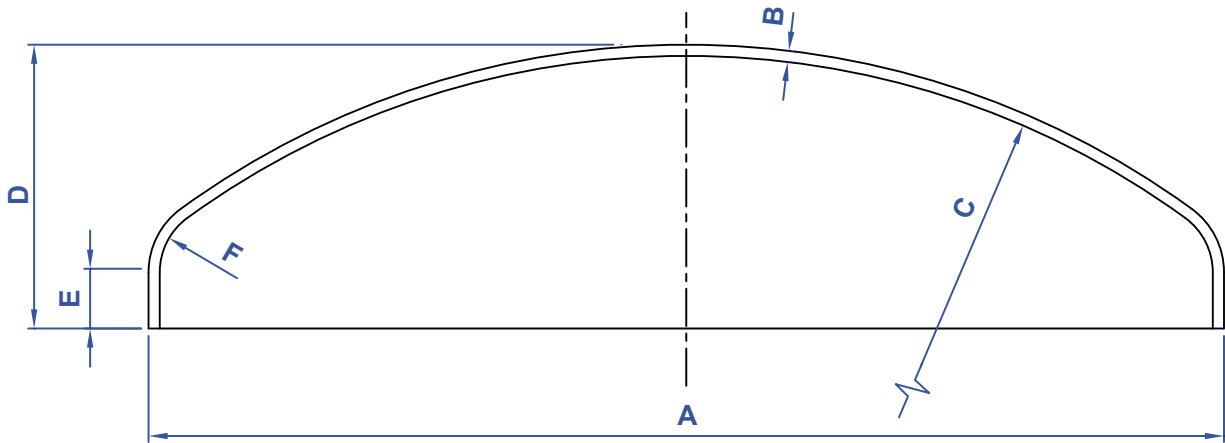
NABRICO

nabrico-marine.com

615.442.1300

The specifications and details described by drawings or text in this literature are subject to change without notice.

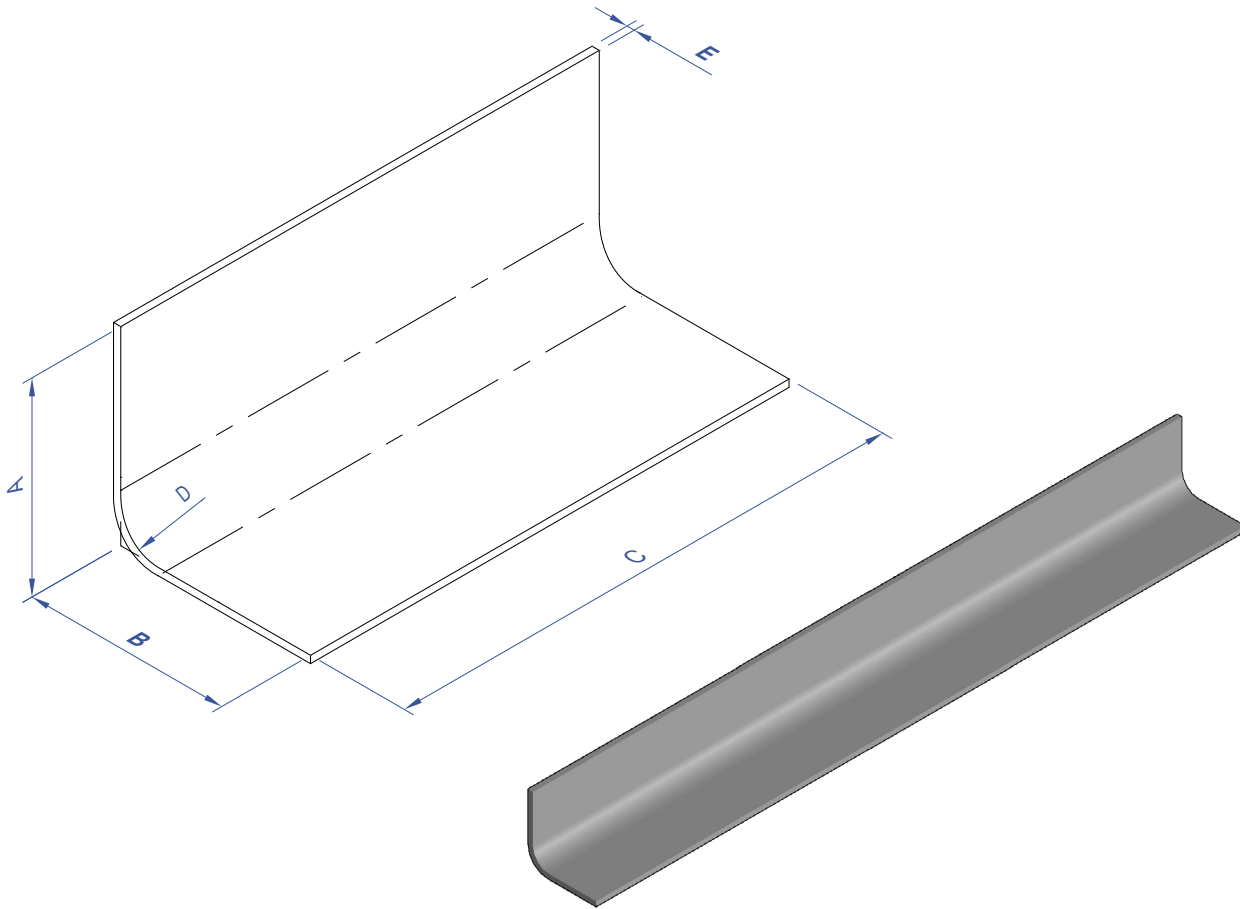
FLANGED AND DISHED HEAD



MODEL No.	PART No.	A	B	C	D	E	F	WT. (lbs.)
SE-31	90046	36"	3/8"	28-4/5"	9-1/2"	2"	2-1/4"	155

SPECIALTY

BILGE PLATES



MODEL No.	SIZE	A	B	C	D	E	WT. (lbs.)
BP123/440-44	PL 96x3/4x40'-0	4'-2"	4'-2"	40'-0"	12"	3/4"	9801
BP63/440-44	PL 96x3/4x40'-0	4'-1"	4'-1"	40'-0"	6"	3/4"	9801
BP121/240-44	PL 96x1/2x40'-0	4'-2"	4'-2"	40'-0"	12"	1/2"	6534
BP61/240-44	PL 96x1/2x40'-0	4'-1"	4'-1"	40'-0"	6"	1/2"	6534
BP123/440-62	PL 96x3/4x40'-0	6'-2"	2'-2"	40'-0"	12"	3/4"	9801
BP63/440-62	PL 96x3/4x40'-0	6'-1"	2'-1"	40'-0"	6"	3/4"	9801
BP121/240-62	PL 96x1/2x40'-0	6'-2"	2'-2"	40'-0"	12"	1/2"	6534
BP61/240-62	PL 96x1/2x40'-0	6'-1"	2'-1"	40'-0"	6"	1/2"	6534

SPECIALTY



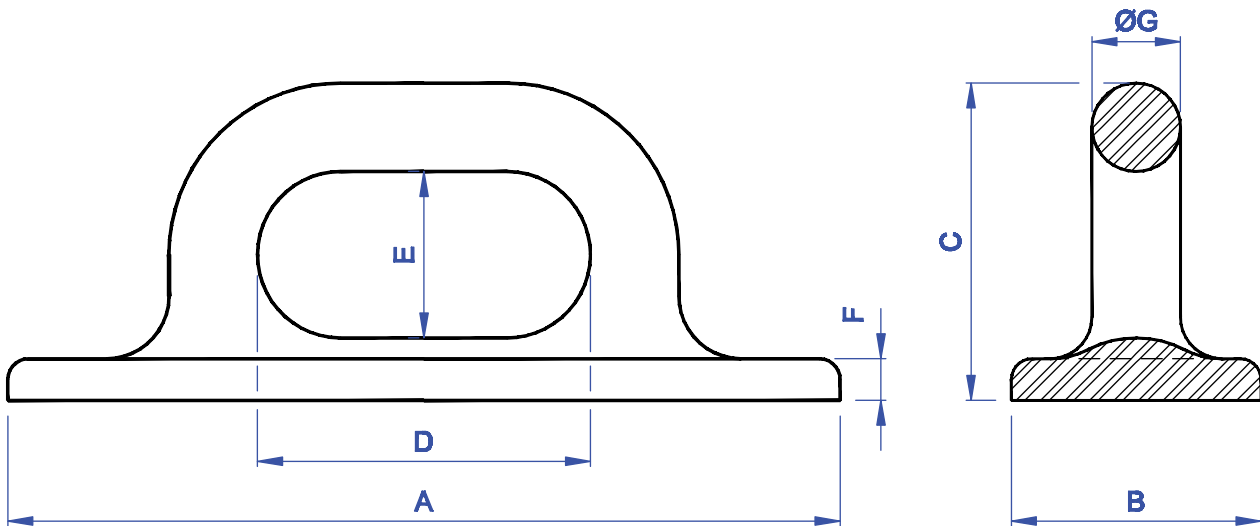
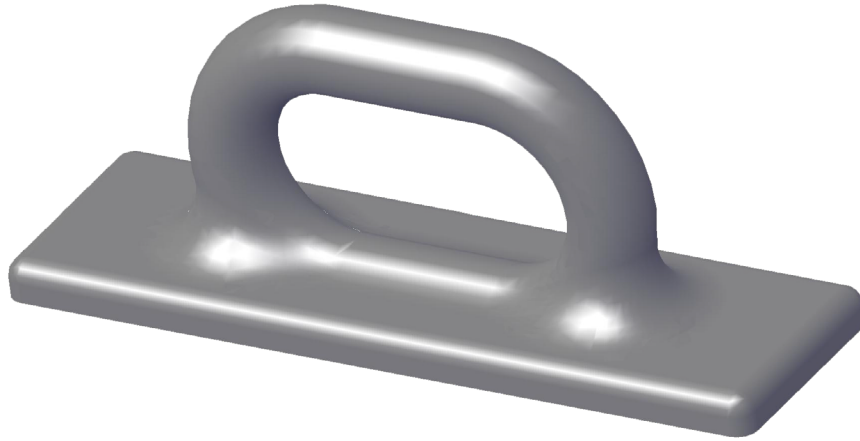
NABRICO

nabrico-marine.com

615.442.1300

The specifications and details described by drawings or text in this literature are subject to change without notice.

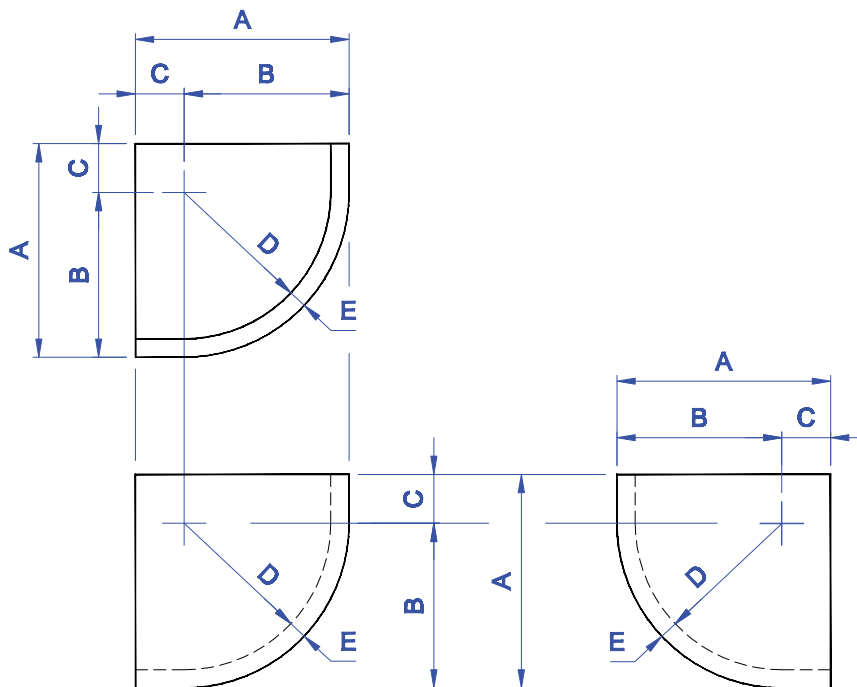
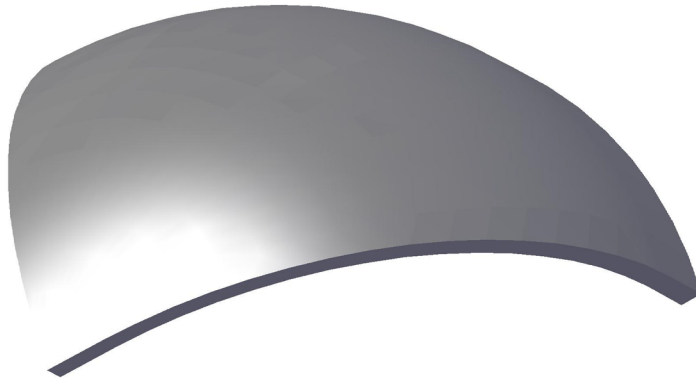
CAST STEEL D-RING



MODEL No.	PART No.	A	B	C	D	E	F	ØG	WT. (lbs.)
DF-196	16713	20"	6"	7-5/8"	8"	4"	1"	2-1/8"	55

SPECIALTY

STEEL CORNER PLATES



MODEL No.	PART No.	SIZE	A	B	C	D	E	WT. (lbs.)
DF-486-6	87998	6"	8-3/4"	6-3/4"	2"	6"	3/4"	54
DF-487-12	88005	12"	14-3/4"	12-3/4"	2"	12"	3/4"	167

SPECIALTY



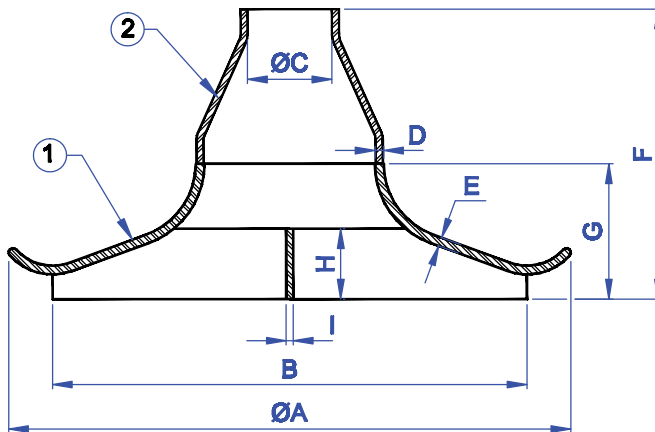
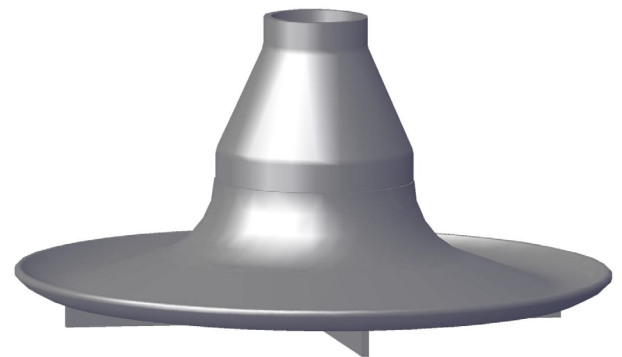
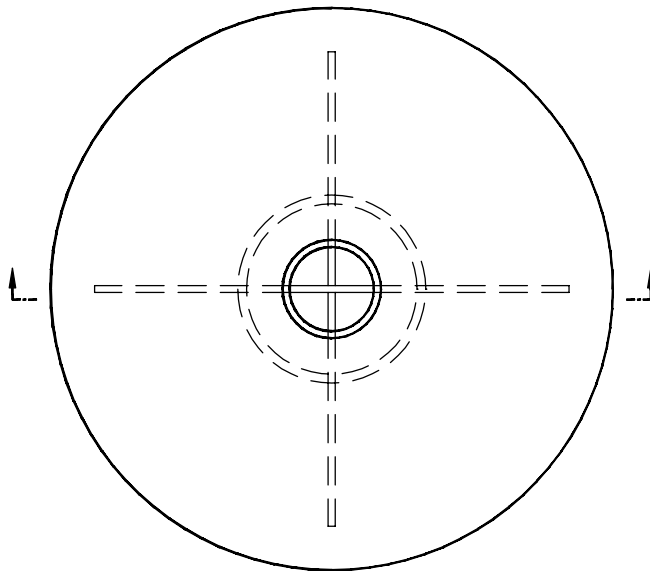
NABRICO

nabrico-marine.com

615.442.1300

The specifications and details described by drawings or text in this literature are subject to change without notice.

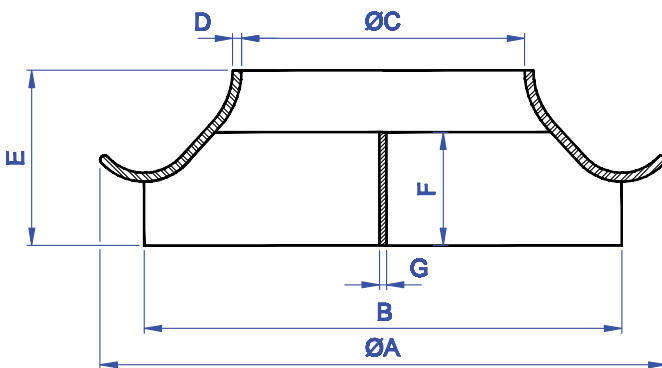
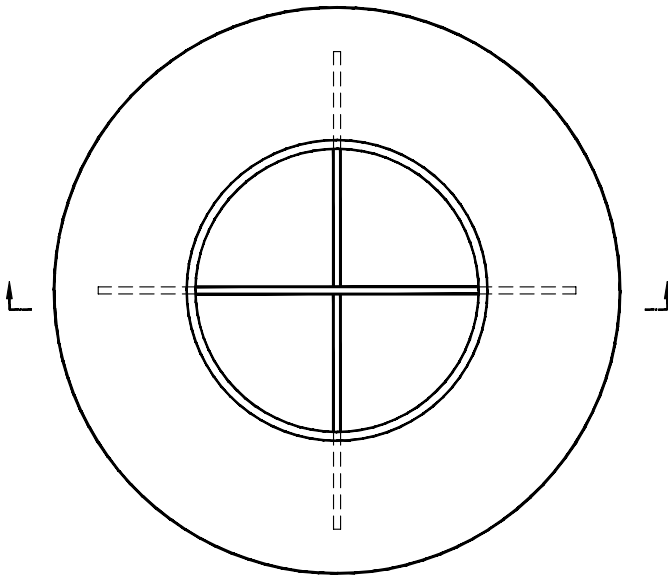
REDUCED STEEL SUCTION BELLMOUTH



MODEL No.	PART No.	SIZE	ØA	B	ØC	D	E	F	G	H	I	WT. (lbs.)
DF-82-3	6790	3"	20"	16-7/8"	3"	1/2"	5/16"	10-5/16"	4-13/16"	2-1/2"	1/4"	41
DF-82-4	6791	4"	20"	16-7/8"	4"	1/2"	5/16"	10-5/16"	4-13/16"	2 1/2"	1/4"	41

SPECIALTY

STEEL SUCTION BELLMOUTH



SPECIALTY

MODEL No.	PART No.	SIZE	ØA	B	ØC	D	E	F	G	WT. (lbs.)
DF-82-6	6793	6"	20"	16-7/8"	6-1/16"	5/16"	4-13/16"	2-1/2"	1/4"	34
DF-82-8	13749	8"	20"	16-7/8"	8-1/16"	5/16"	5-3/8"	3"	1/4"	36
DF-82-10	17191	10"	20"	16-7/8"	10"	5/16"	6-3/16"	4"	1/4"	40



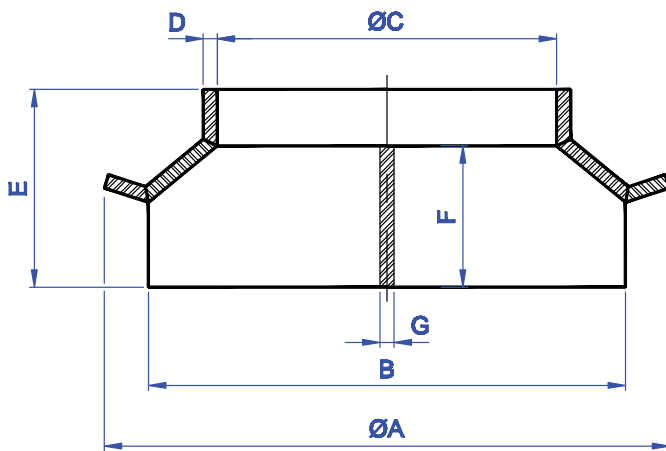
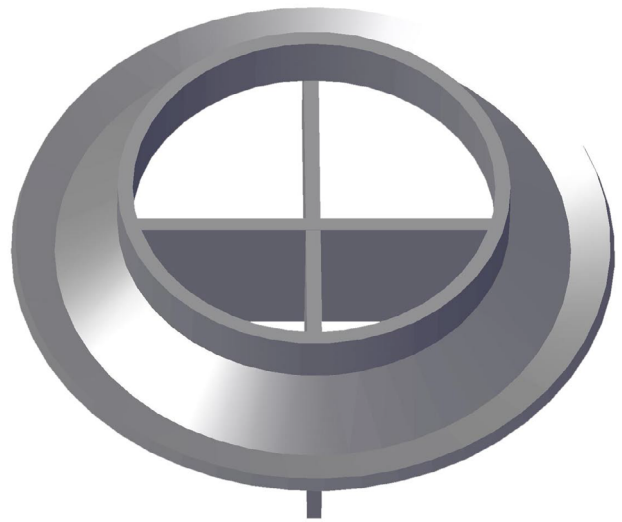
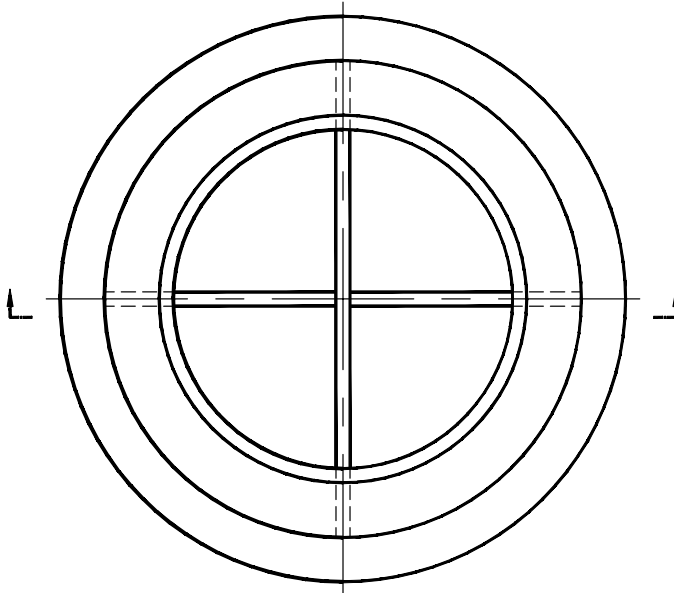
NABRICO

nabrico-marine.com

615.442.1300

The specifications and details described by drawings or text in this literature are subject to change without notice.

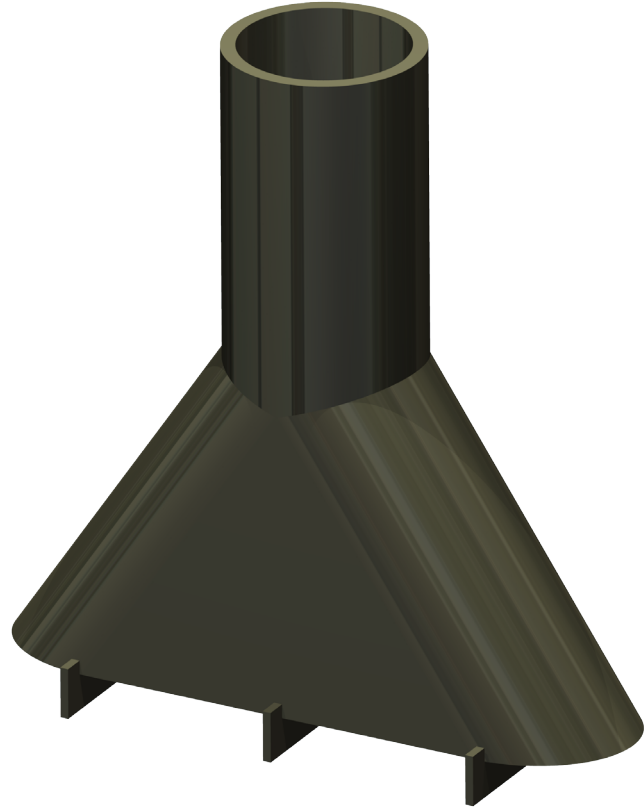
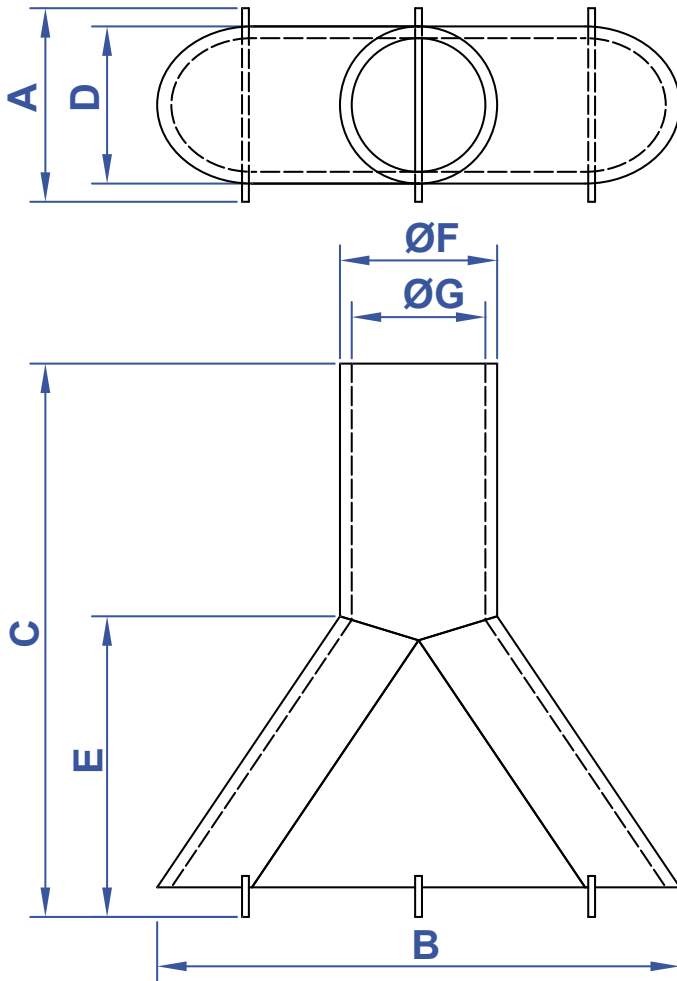
STEEL SUCTION BELLMOUTH



MODEL No.	PART No.	SIZE	ØA	B	ØC	D	E	F	G	WT. (lbs.)
DF-82-12	17192	12"	20"	16-7/8"	12"	1/2"	7"	5"	1/2"	65
DF-82-14	17199	14"	20"	16-7/8"	13-1/4"	3/8"	8"	6"	1/2"	75

SPECIALTY

BROOMSTYLE SUCTION BELLMOUTH



SPECIALTY

MODEL No.	PART No.	SIZE	A	B	C	D	E	ØF	ØG	WT. (lbs.)
DF-83-6	17194	6"	8-5/8"	23-3/4"	26-5/8"	11-9/16"	1-5/8"	6-5/8"	6"	150
DF-83-8	17196	8"	10-5/8"	28-1/2"	30-3/8"	14-7/8"	1-5/8"	8-5/8"	8"	190
DF-83-10	17193	10"	12-3/4"	28-1/2"	30-3/8"	14-7/8"	1-5/8"	10-3/4"	10"	230



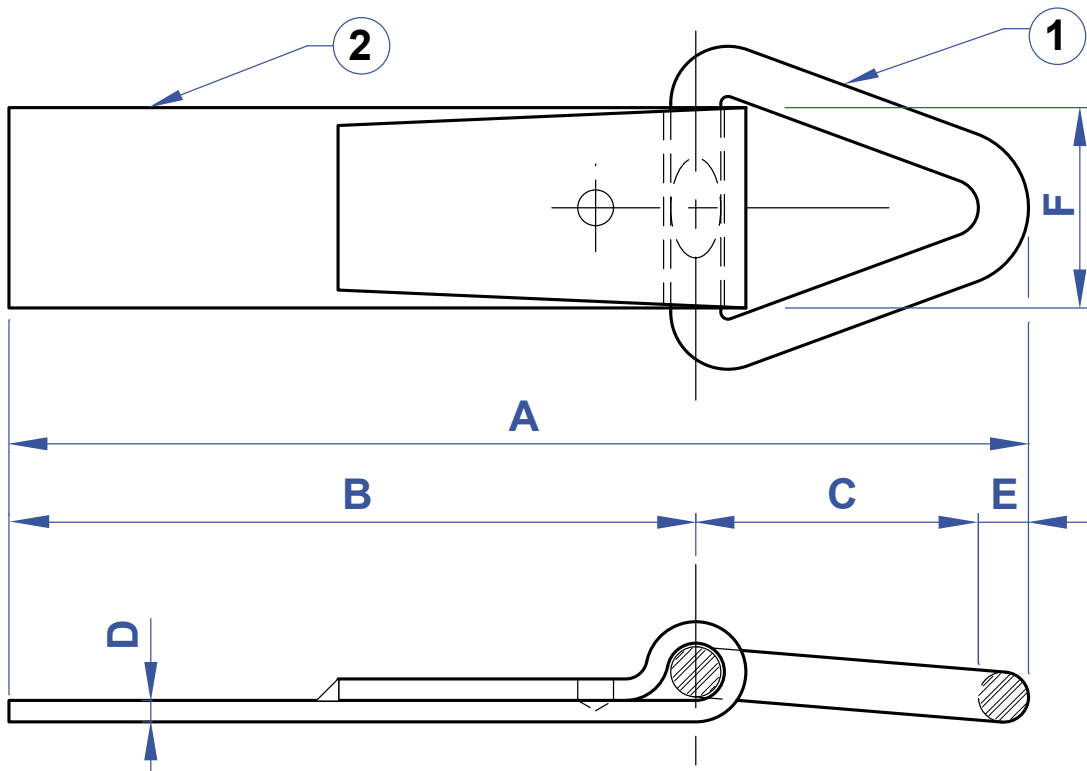
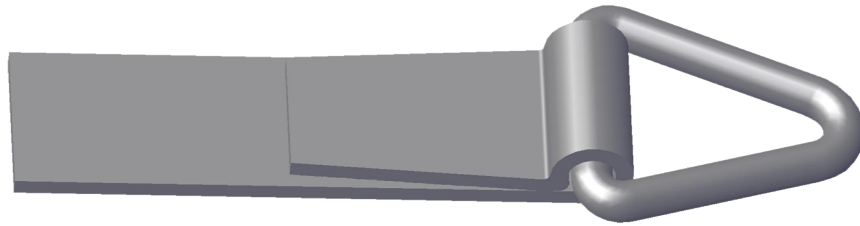
NABRICO

nabrico-marine.com

615.442.1300

The specifications and details described by drawings or text in this literature are subject to change without notice.

RATCHET STRAP

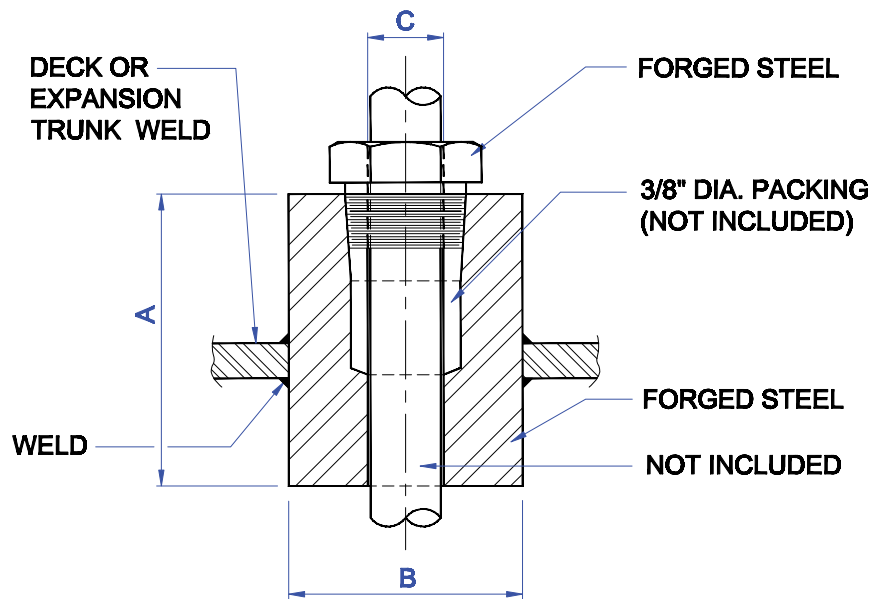


PIECE No.	DESCRIPTION	PART No.	MATERIAL
1	RATCHET STRAP RING	75736	STEEL
2	RATCHET STRAP PLATE	75744	STEEL

MODEL No.	PART No.	A	B	C	D	E	F	WT. (lbs.)
DF-80	6807	35-5/8"	24"	9-7/8"	3/4"	1-3/4"	7"	83

SPECIALTY

STUFFING GLAND



MODEL No.	PART No.	SIZE ROD	A	B	C	WT. (lbs.)
DF-437-3/4	75191	3/4"	3-1/8"	2-1/2"	13/16"	4
DF-437-1	6254	1"	3-1/8"	2-1/2"	1-1/16"	4
DF-437-1 1/4	75175	1-1/4"	3-3/8"	3"	1-5/16"	5
DF-437-1 1/2	75183	1-1/2"	3-3/8"	3"	1-9/16"	5

SPECIALTY



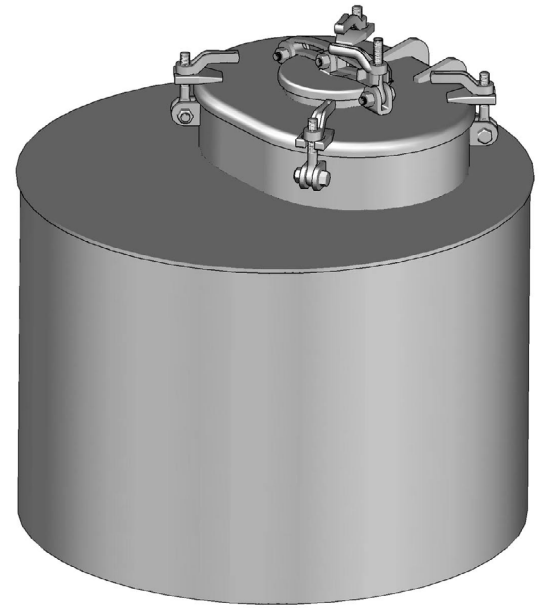
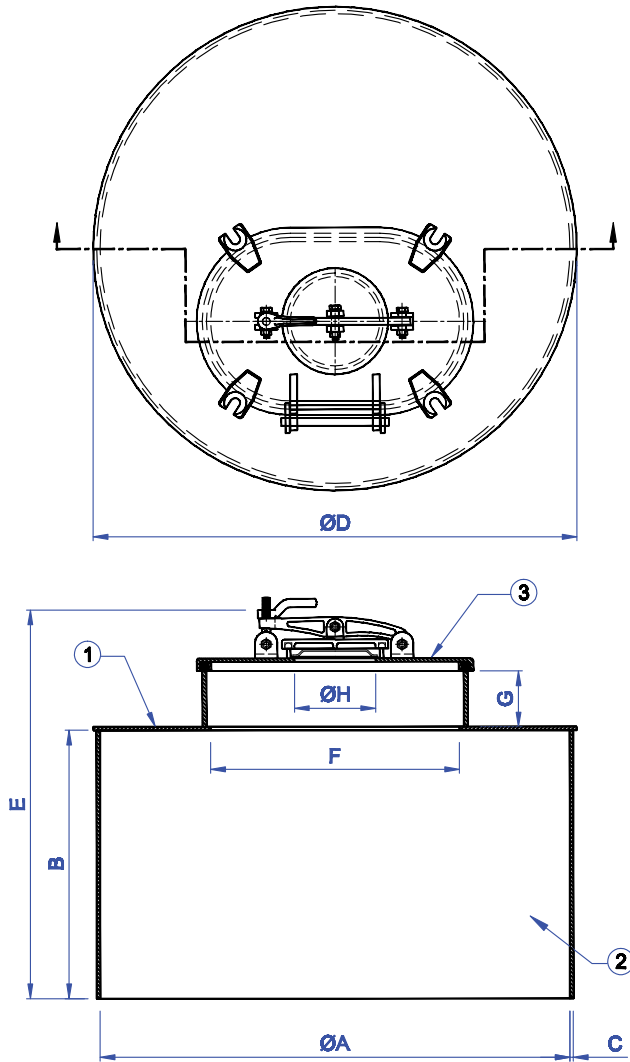
NABRICO

nabrico-marine.com

615.442.1300

The specifications and details described by drawings or text in this literature are subject to change without notice.

EXPANSION TRUNK



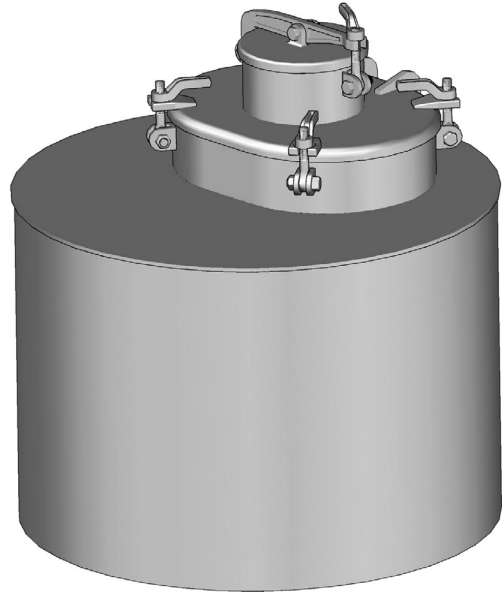
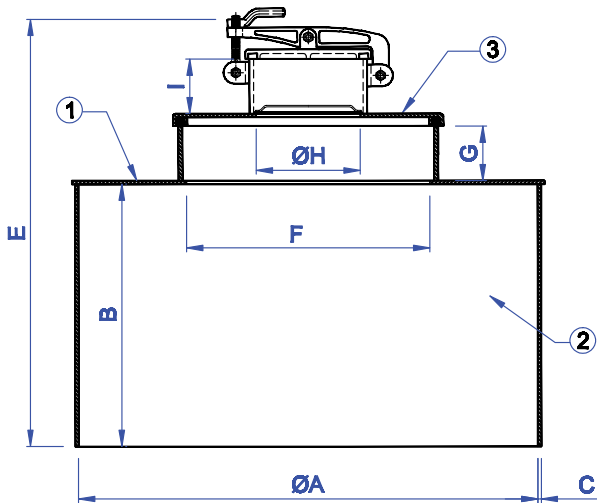
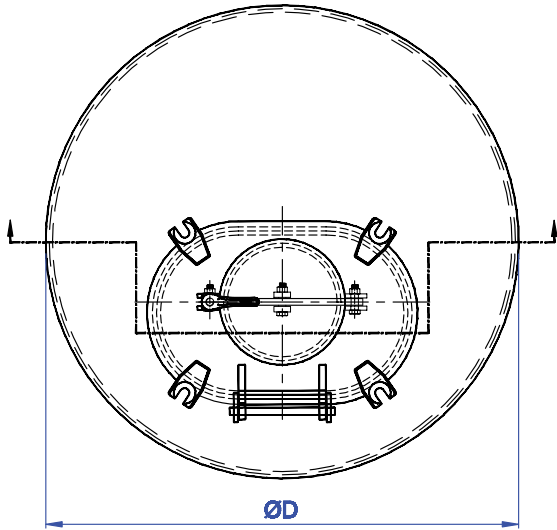
PIECE No.	DESCRIPTION	PART No.	MATERIAL
1	COVER PLATE	76163	STEEL
2	COAMING ASSEMBLY	76171	STEEL
3	DF-174 HATCH W/ DF-144 ULLAGE HATCH	8214	STEEL

MODEL No.	PART No.	SIZE	ØA	B	C	ØD	E	F	G	ØH	WT. (lbs.)
DF-449	6238	42x24	42"	24"	5/16"	43-1/4"	34-3/4"	22-1/4"x13-1/4"	5"	7-1/4"	520

1- AVAILABLE IN A VARIETY OF SIZES AND MATERIALS.

SPECIALTY

EXPANSION TRUNK



PIECE No.	DESCRIPTION	PART No.	MATERIAL
1	COVER PLATE	76163	STEEL
2	COAMING ASSEMBLY	76171	STEEL
3	DF-174 HATCH W/ DF-569-5 ULLAGE HATCH	85316	STEEL

MODEL No.	PART No.	ØA	B	C	ØD	E	F	G	ØH	I	WT. (lbs.)
DF-470	85308	42"	24"	5/16"	43-1/4"	39-1/16"	22-1/4"x13-1/4"	5"	9-1/4"	5"	540

1- AVAILABLE IN A VARIETY OF SIZES AND MATERIALS.

SPECIALTY



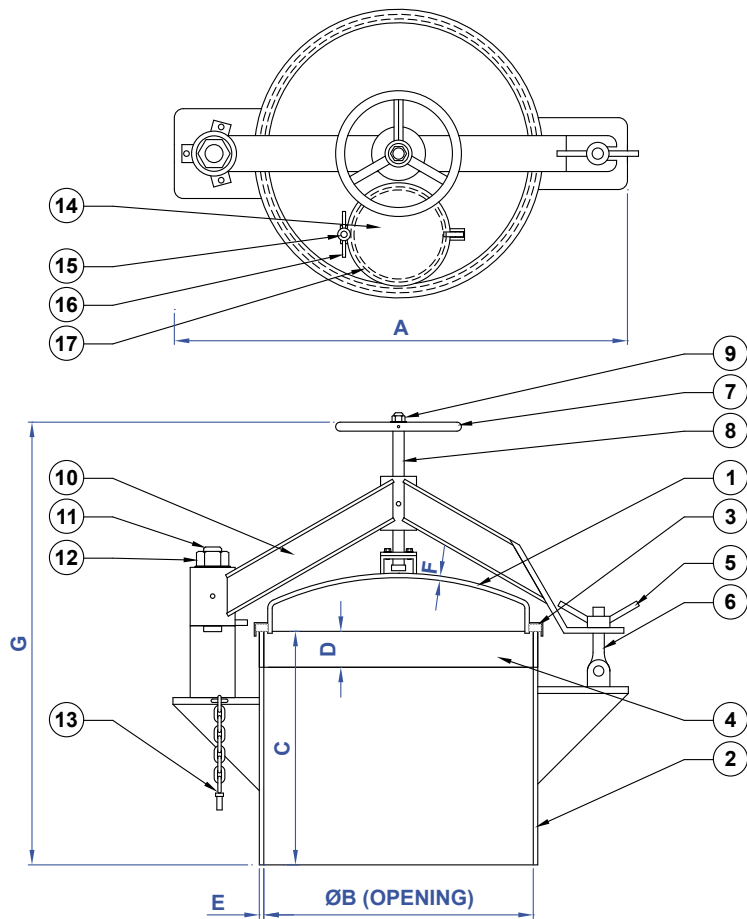
NABRICO

nabrico-marine.com

615.442.1300

The specifications and details described by drawings or text in this literature are subject to change without notice.

RAISED WATERTIGHT EXPANSION DOME



No.	DESCRIPTION	MATERIAL
1	HATCH COVER ASSEMBLY	STEEL
2	COAMING ASSEMBLY	STEEL
3	HATCH GASKET	NEOPRENE
4	UPPER COAMING RING	STAINLESS
5	WING NUT	BRASS
6	DROP BOLT	STAINLESS
7	HANDWHEEL ASSEMBLY	STEEL
8	CENTER SHAFT	STAINLESS
9	HEX NUT	STAINLESS
10	I-BEAM SWIVEL ARM	STEEL
11	HINGE PIN ASSEMBLY	STAINLESS
12	HEX NUT	STAINLESS
13	KEEPER PIN & CHAIN	GALVANIZED
14	10" ULLAGE HATCH ASSEMBLY	STEEL
15	ULLAGE HATCH DROP BOLT	STAINLESS
16	ULLAGE HATCH WING NUT	BRASS
17	ULLAGE HATCH GASKET	NEOPRENE

The expansion dome is shown with a 10" ullage hatch installed in the hatch cover assembly. This add-on feature has the option to be Stainless Steel or removed entirely from the hatch assembly. Additional add-on features available are a Stainless Steel sight glass with cover, blind flange or any custom sized ullage.

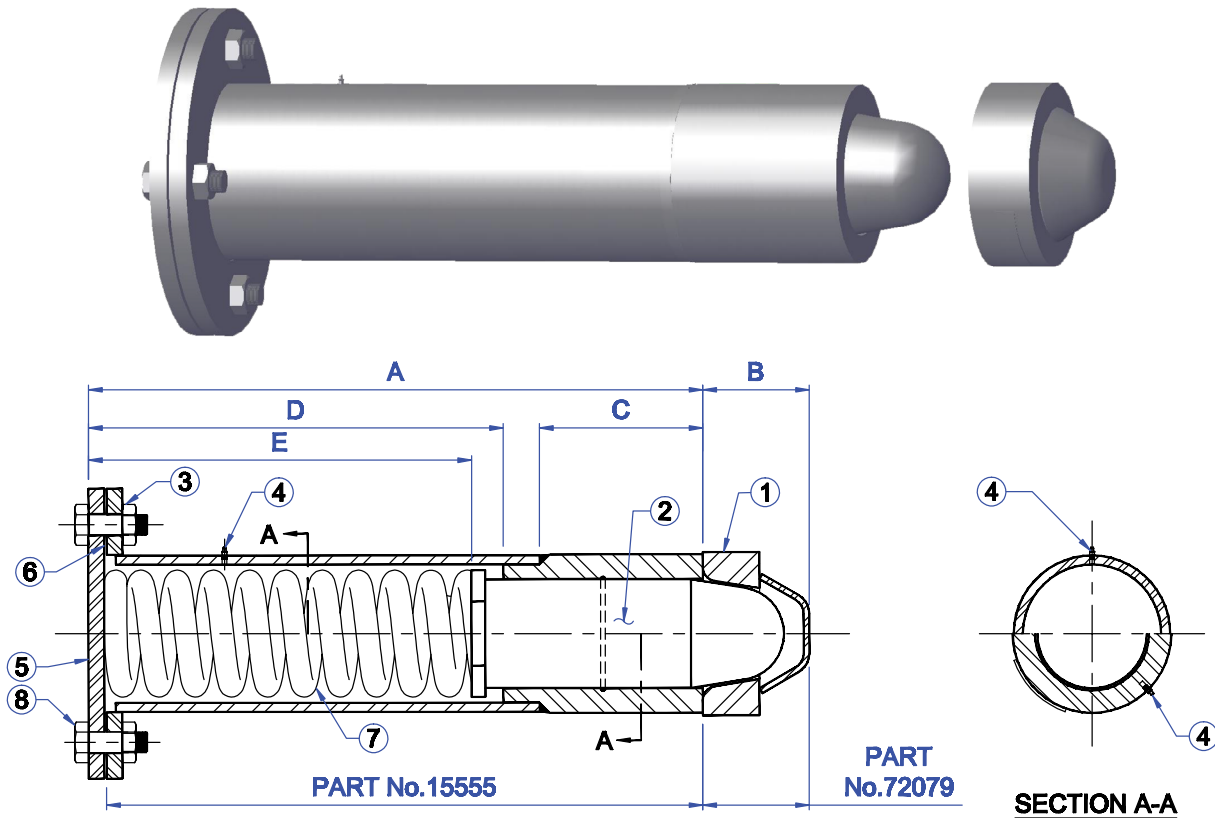
The dome is also equipped with a stainless steel coaming ring which can be left off or custom sized for specific needs.

MODEL No.	PART No.	SIZE	A	ØB	C	D	E	F	G	WT. (lbs.)
DF-450-3026	21010	30"	51"	30"	26"	4"	1/2"	1/2"	50"	750
DF-450-4224	21033	42"	63"	42"	24"	4"	1/2"	1/2"	49"	950

- 1- ADDITIONAL COAMING HEIGHTS AVAILABLE.
- 2- ADDITIONAL OPENING DIAMETERS AVAILABLE.
- 3- OTHER GASKET MATERIALS AVAILABLE.
- 4- AVAILABLE IN LEFT HAND AND RIGHT HAND MODELS.

SPECIALTY

INTERLOCKING PIN



PIECE No.	DESCRIPTION	PART No.	MATERIAL
1	LOCKING PIN SOCKET ASSEMBLY	72079	STEEL
2	LOCKING PIN ASSEMBLY	72109	STEEL
3	1-1/8" DIA. HEAVY HEX NUT	15989	STEEL
4	GREASE FITTING	9873	STAINLESS STEEL
5	SPRING KEEPER PLATE	72176	STEEL
6	GASKET	75140	NEOPRENE
7	INTERLOCKING SPRING	7064	STEEL
8	1-1/8" X 3-1/4" HEAVY HEX BOLT	72222	STEEL

MODEL No.	PART No.	A	B	C	D	E	WT. (lbs.)
DF-134	15555	33-7/8"	5-7/8"	9"	22-7/8"	21-1/8"	470

DF-134 - PIN ASSEMBLY #15555 AND SOCKET ASSEMBLY #72079 ARE ORDERED SEPARATELY.

SPECIALTY

NABRICO

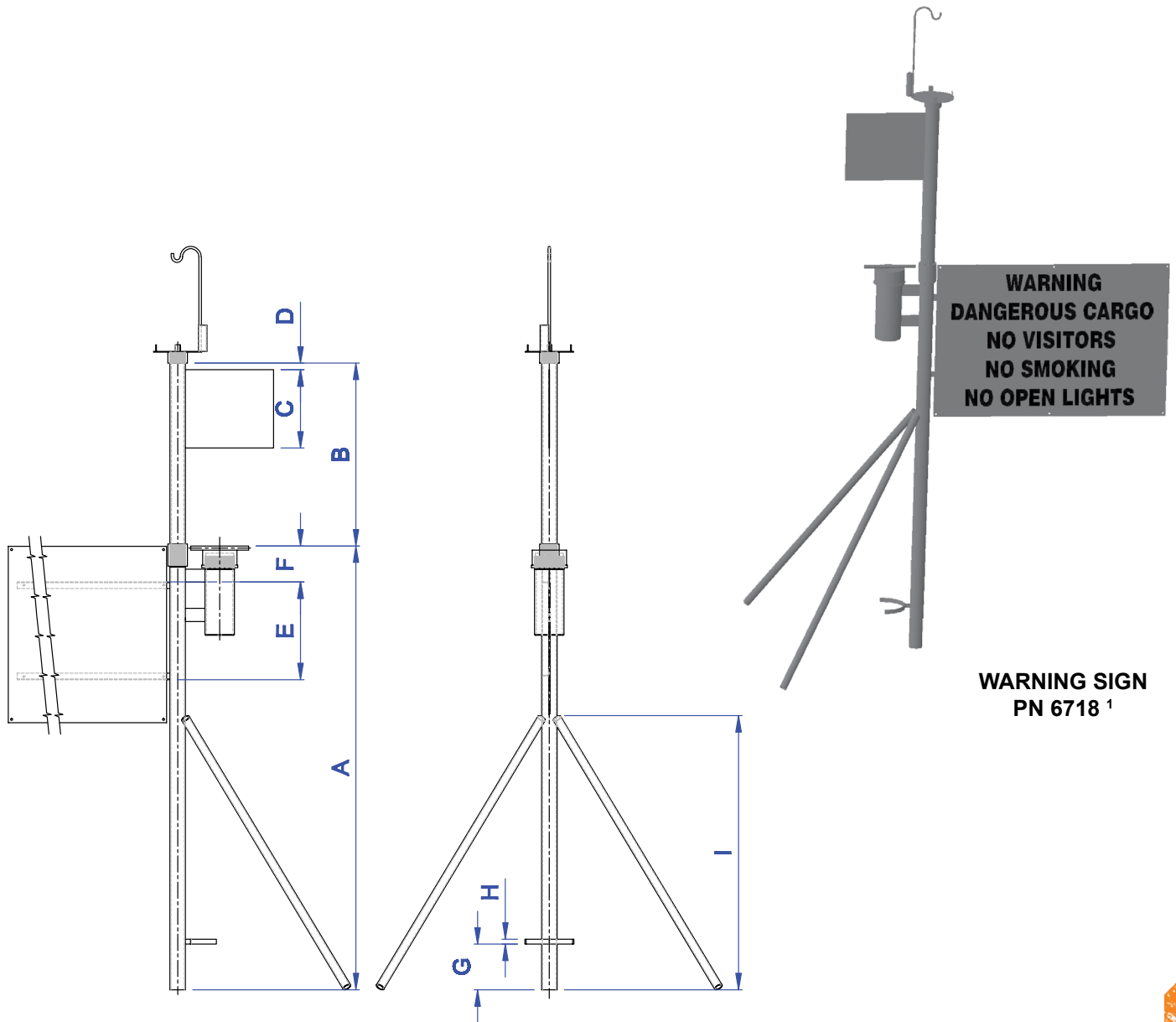


nabrico-marine.com

615.442.1300

The specifications and details described by drawings or text in this literature are subject to change without notice.

FLAG POLE

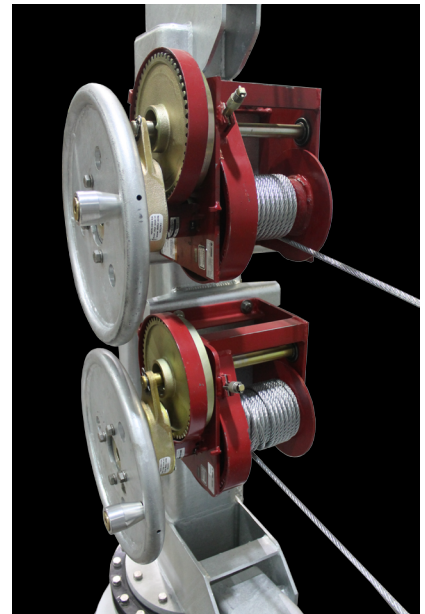
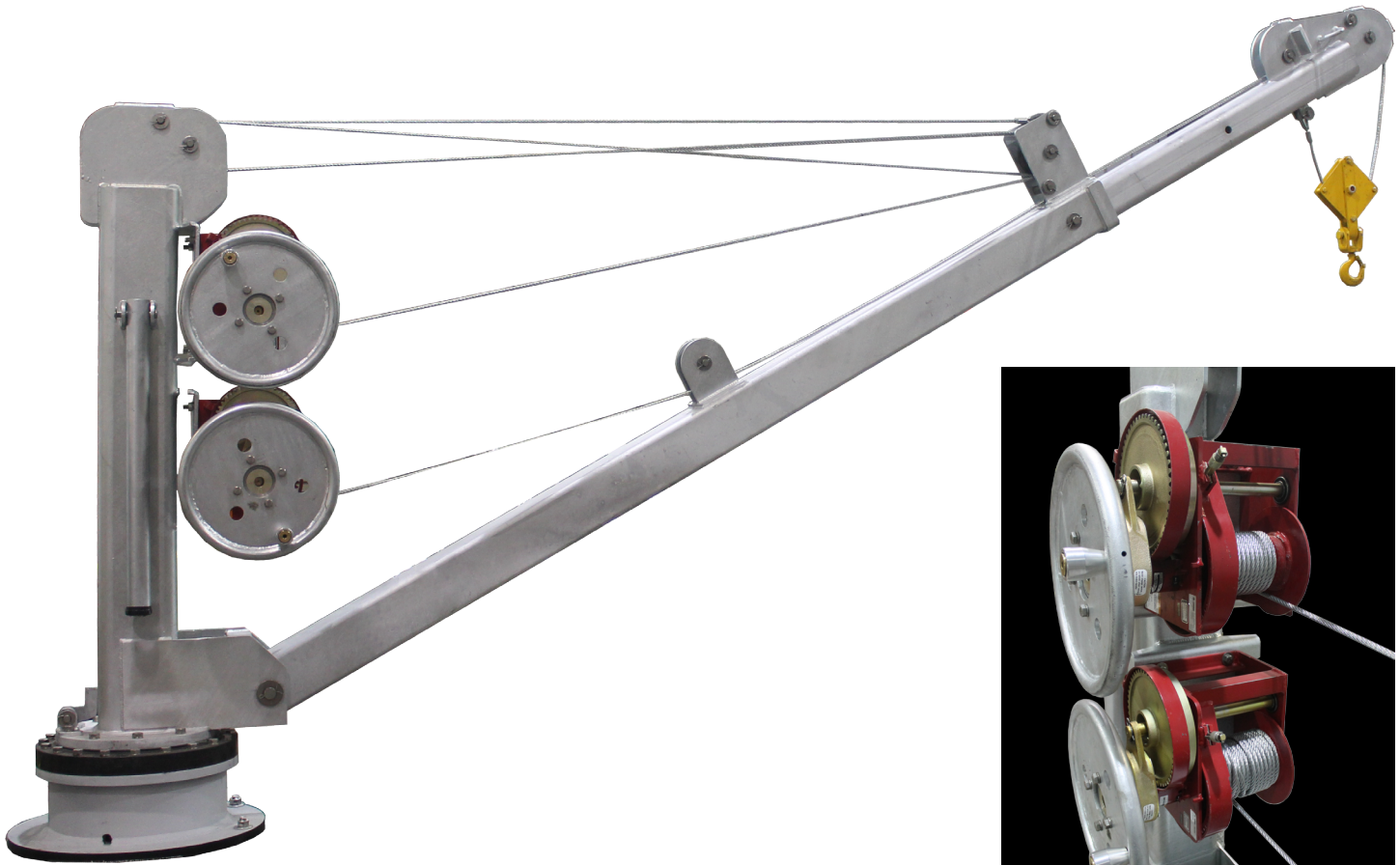


MODEL No.	PART No.	A	B	C	D	E	F	G	H	I	WT. (lbs.)
DF-84	6785	68"	28"	12"	1"	15"	5-1/2"	7"	3/4"	42"	100

1- WARNING SIGN PN 6718 PURCHASED SEPARATELY FROM FLAG POLE.

SPECIALTY

DF-360 CRANE



Features & Specifications

- Hot-dipped galvanized.
- Stainless steel hardware.
- 360° swivel.
- 3 position adjustable length boom.
- Bearing is 7" above deck.

MODEL No.	PART No.	CAPACITY	WEIGHT
DF-360	36000	2,750 LBS	2,156 LBS

SPECIALTY

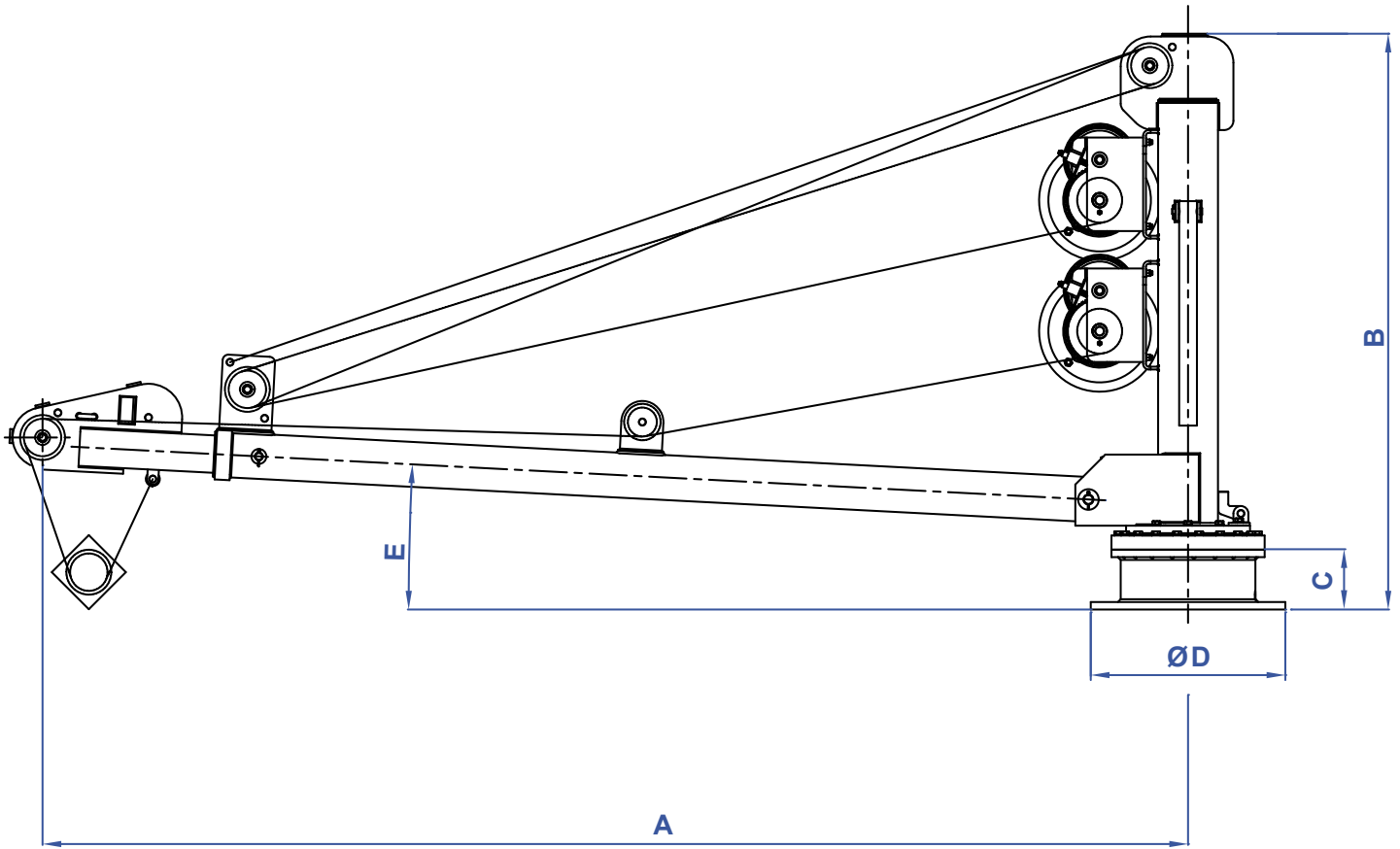

NABRICO

nabrico-marine.com

615.442.1300

The specifications and details described by drawings or text in this literature are subject to change without notice.

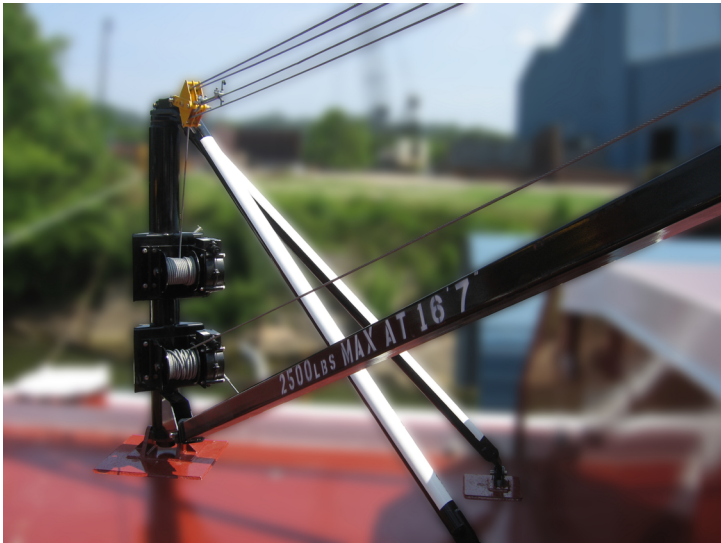
DF-360 CRANE



MODEL No.	A	B	C	ØD	E
DF-360 (1st Position)	12' - 9"	6' - 5"	7"	2' - 2"	3°
DF-360 (2nd Position)	15' - 0"	6' - 5"	7"	2' - 2"	3°
DF-360 (3rd Position)	17' - 3"	6' - 5"	7"	2' - 2"	3°

SPECIALTY

DF-126 BARGE CRANE



FEATURES

- **2500 pound non-shock lifting capacity at maximum radius of 16'-7"**. The barge crane operates equally as well at 5'-6" minimum radius.
- **270 degree swing capacity** resulting in maximum flexibility for lifting and positioning equipment.
- **One man boom operation** leaving other personnel free to position and secure load. Reduces time required for such tasks as hose connecting, removing pumping equipment for repairs and loading oil drums or miscellaneous equipment.
- **Low silhouette.** By removing backleg pins, the crane king post folds down to a height of 3'-10" to minimize low bridge problems.
- **Quality tested to 150% of non-shock working load.**

SPECIALTY



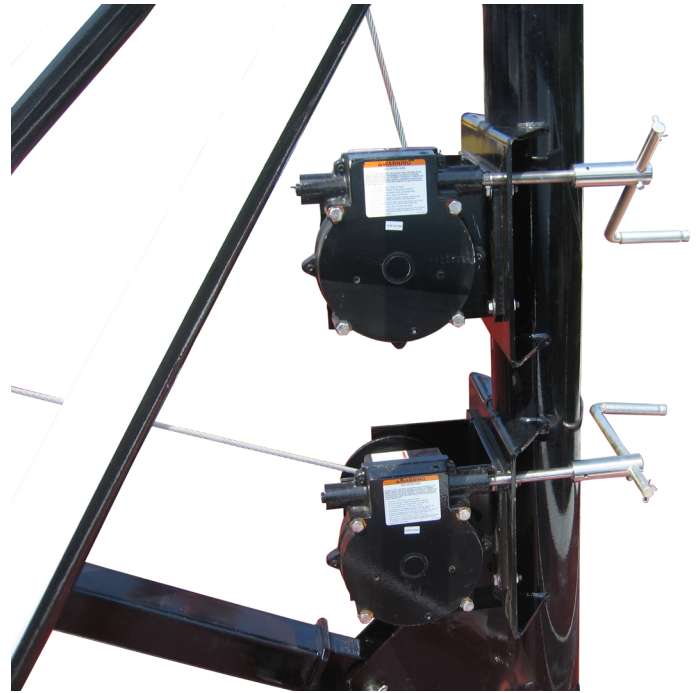
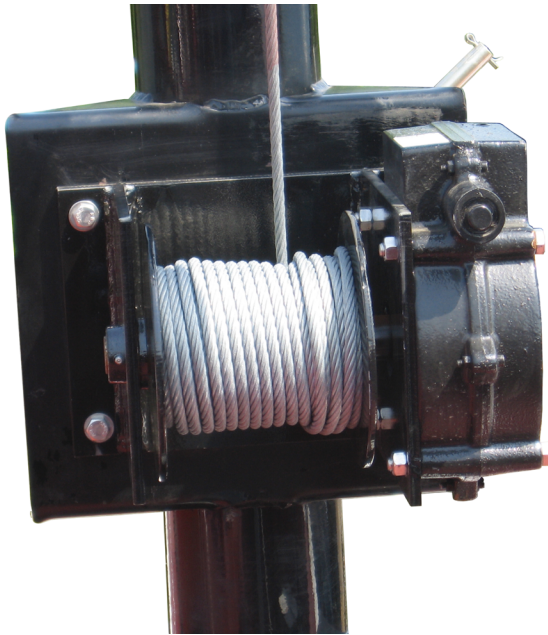
NABRICO

nabrigo-marine.com

615.442.1300

The specifications and details described by drawings or text in this literature are subject to change without notice.

DF-126 BARGE CRANE



SPECIFICATIONS

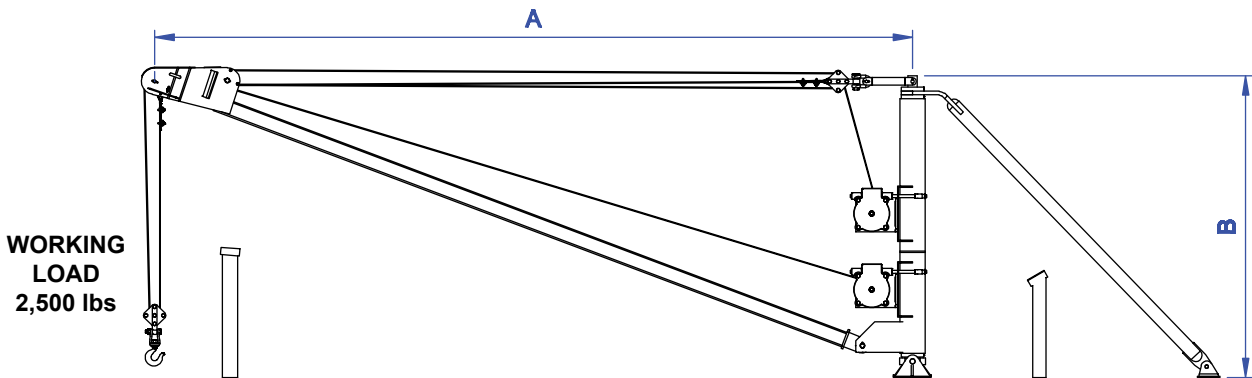
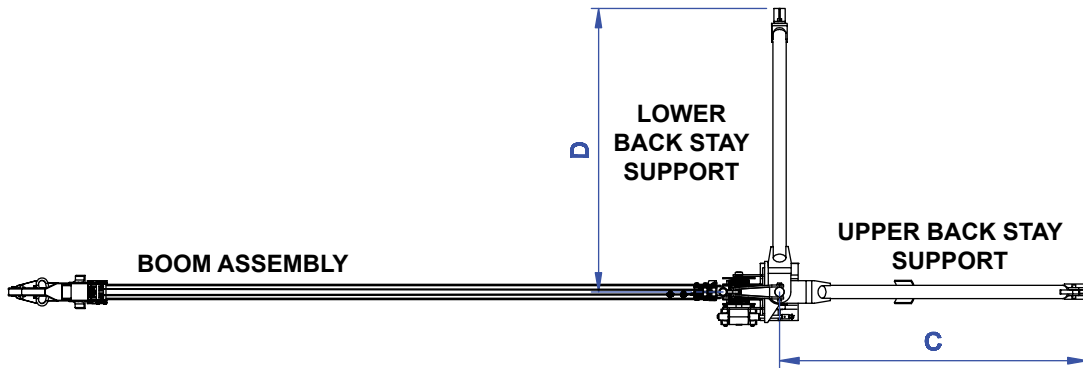
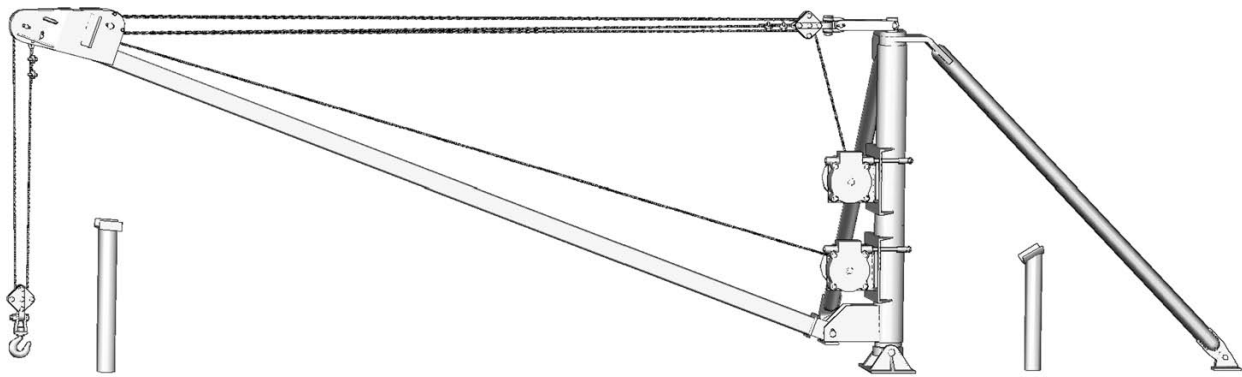
Boom and king post assembly	
Plate.....	ASTM A36
Square Tubing.....	ASTM A36
Sheaves.....	Cast Iron
Bushings.....	Bronze/Thorplas
Pins.....	304SS
Pipe.....	ASTM A53

WINCHES

- Hand operated with adjustable handle.
- 31:1 gear ratio for winching.
- Self-locking worm gear eliminating the need for a locking dog or brake.
- Enclosed gearbox to provide continuous gear lubrication.

SPECIALTY

DF-126 BARGE CRANE



MODEL No.	PART No.	A	B	C	D	WT. (lbs.)
DF-126	79659	16'-7" (MAX) 5'-6" (MIN)	6' 7-5/16"	6' 8-3/4"	6' 2-1/2"	1100

SPECIALTY



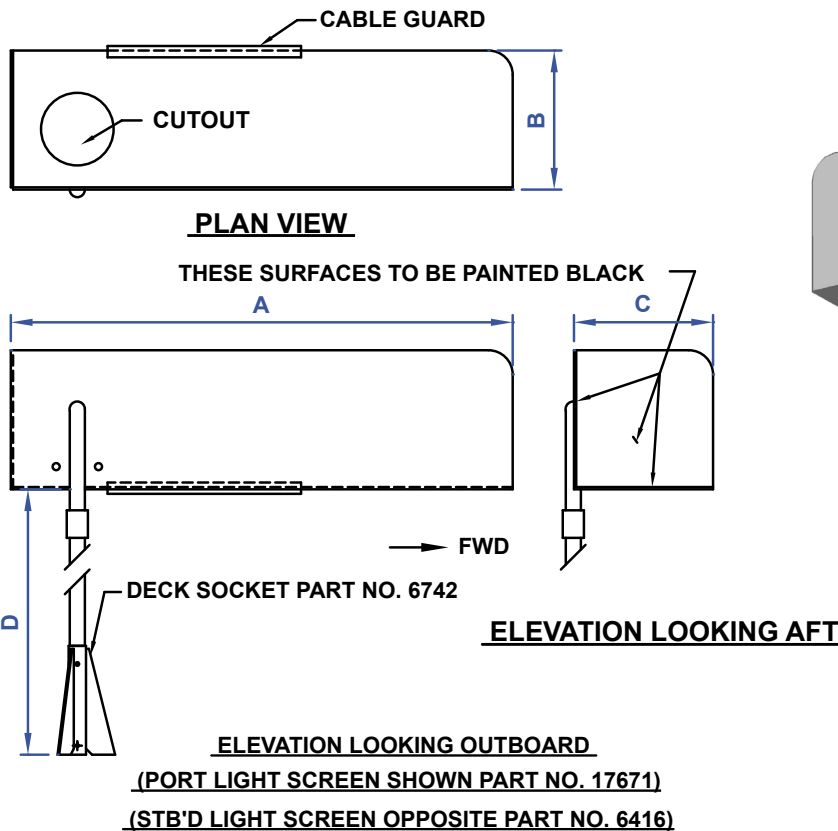
NABRICO

nabrico-marine.com

615.442.1300

The specifications and details described by drawings or text in this literature are subject to change without notice.

RUNNING LIGHT STAND



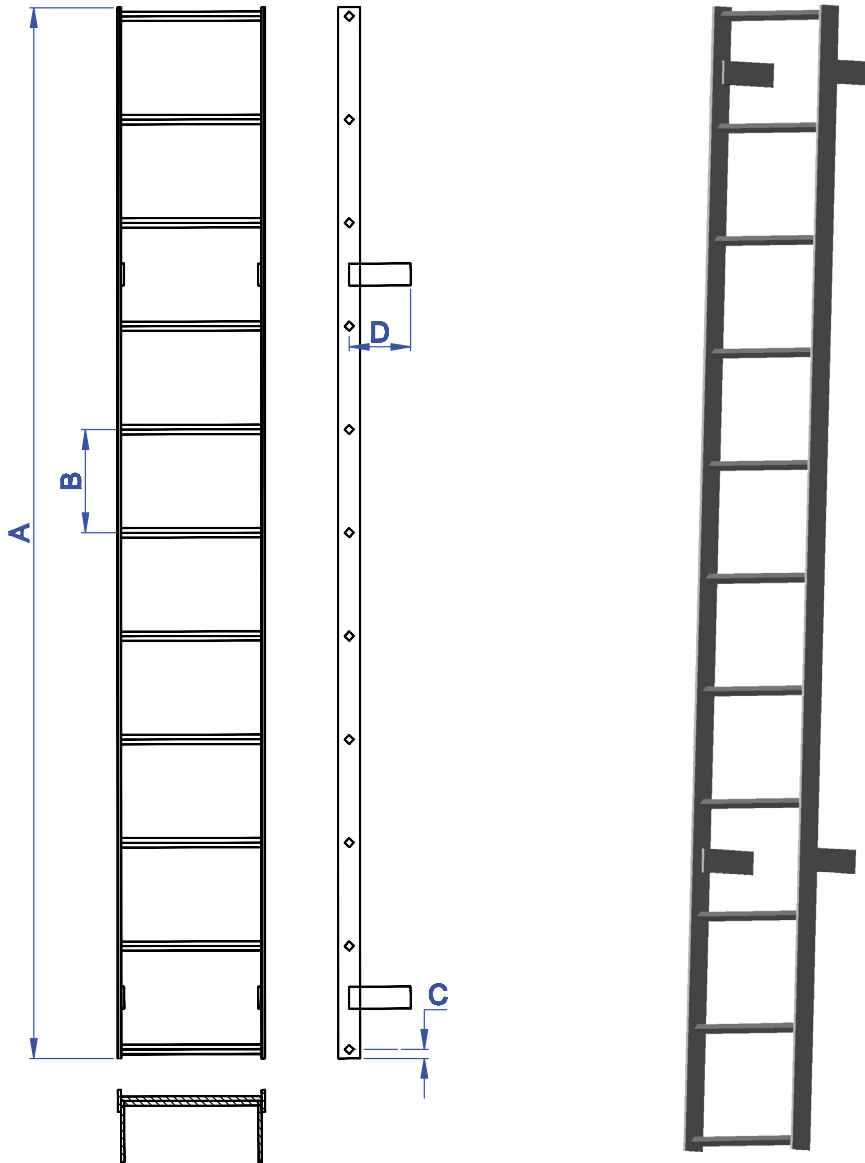
NOTE: THIS SCREEN IS SIZED FOR PERKO FIG. 1150 SIZE 2 NAVIGATION LIGHT

PART No.	DESCRIPTION	WT. (lbs.)
17671	PORT LIGHT STAND	60
6416	STB'D LIGHT STAND	60
6742	DECK SOCKET	3

DIMENSIONS			
A	B	C	D
41-1/2"	11-1/2"	11-1/2"	56"

SPECIALTY

LADDER



MODEL No.	PART No.	A	B	C	D	WT. (lbs.)
DF-954	39000	12'	11-3/4"	1"	7"	99

SPECIALTY



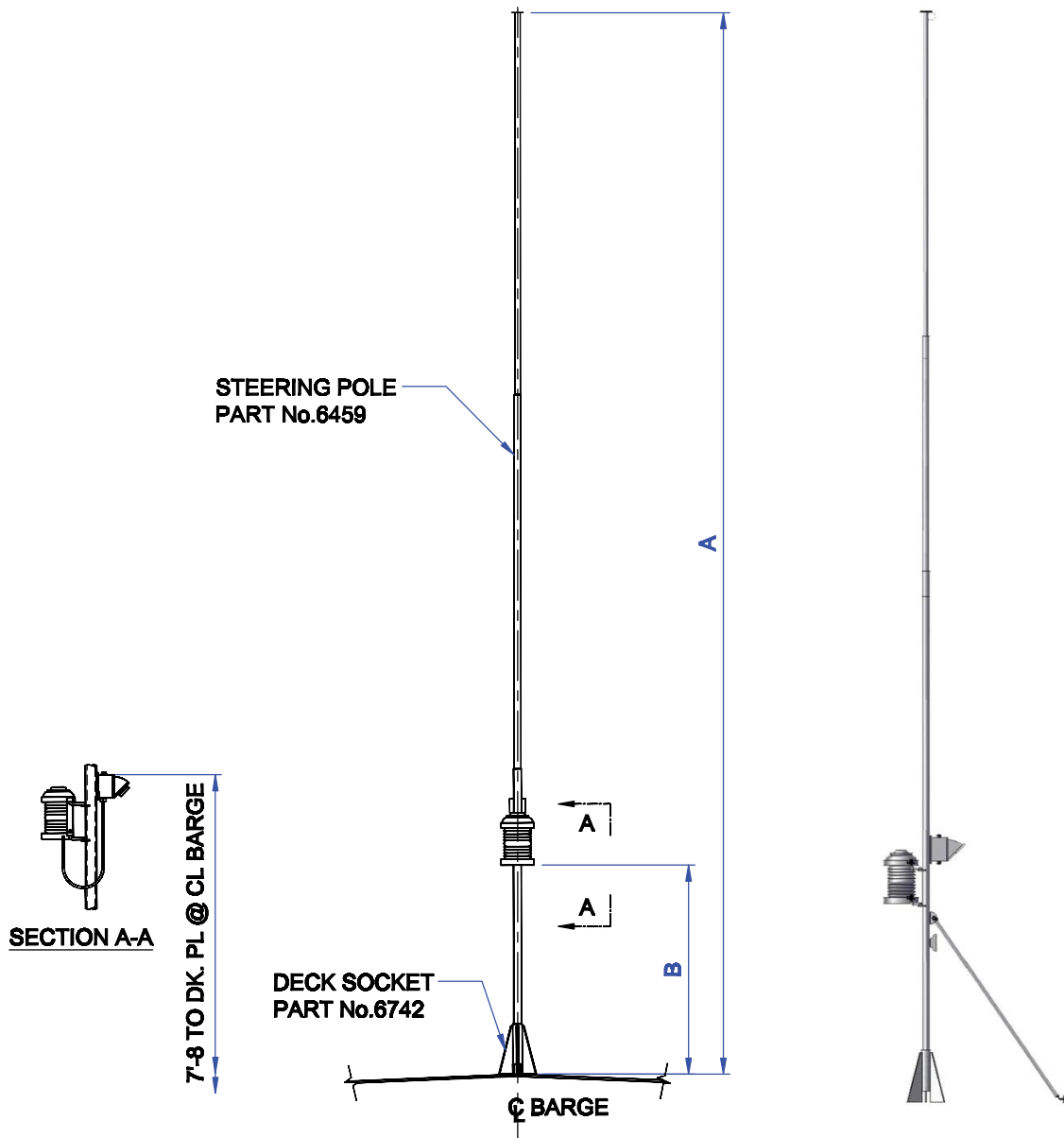
NABRICO

nabrico-marine.com

615.442.1300

The specifications and details described by drawings or text in this literature are subject to change without notice.

STEERING POLE

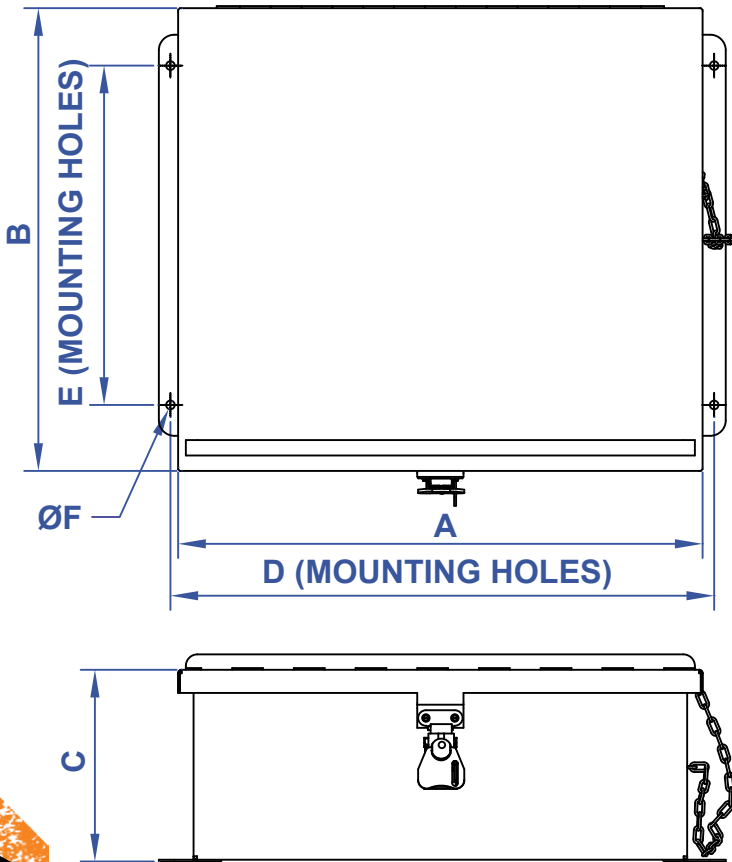
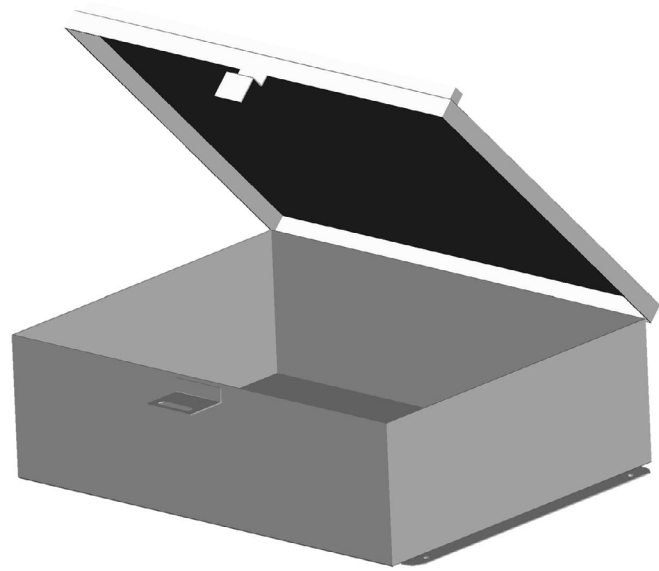


MODEL No.	MATERIAL	PART No.	A	B	WT. (lbs.)
DF-169	STEEL	79979	22'	4'-4"	50

NOTE: LIGHT AND PLUG ARE NOT PART OF STEERING POLE ASSEMBLY.

SPECIALTY

STAINLESS STEEL DOCUMENT BOX/DESK



SPECIALTY

MODEL No.	PART No.	A	B	C	D	E	ØF	WT. (lbs.)
DF-555	95001	17"	15"	6-1/4"	17-5/8"	11"	9/32"	20



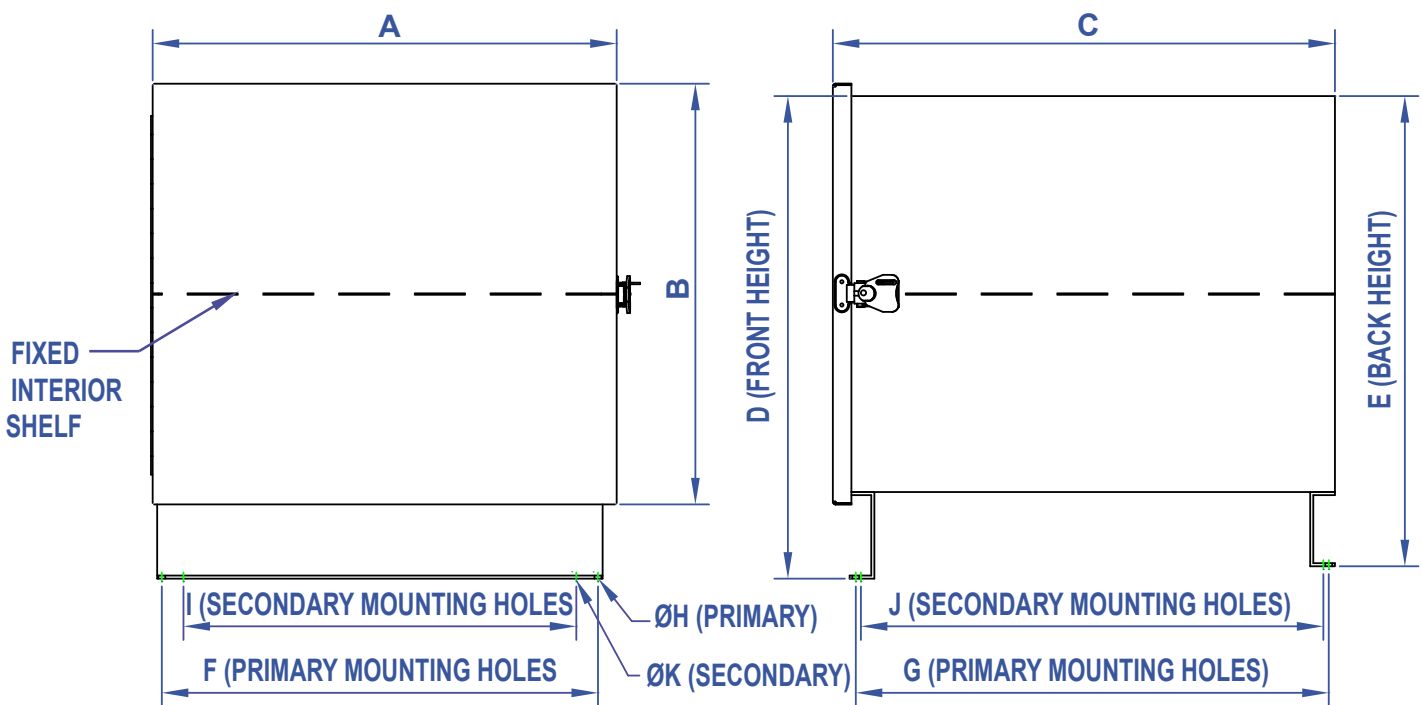
NABRICO

nabrico-marine.com

615.442.1300

The specifications and details described by drawings or text in this literature are subject to change without notice.

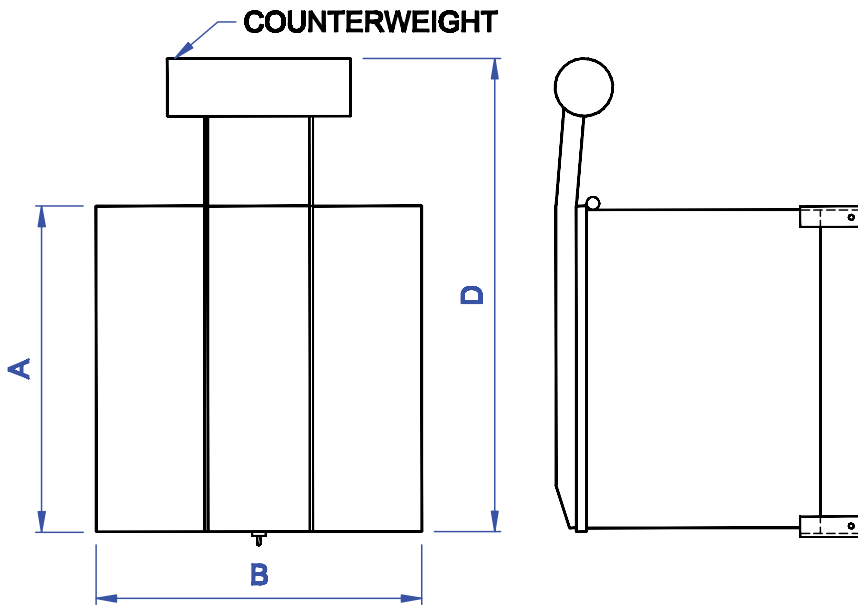
SS DOCUMENT BOX - HORIZONTAL



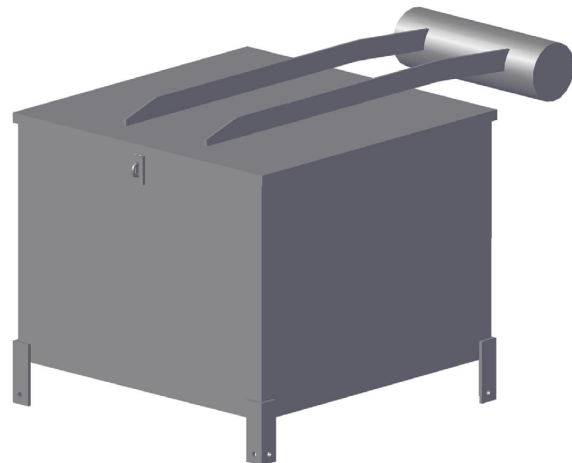
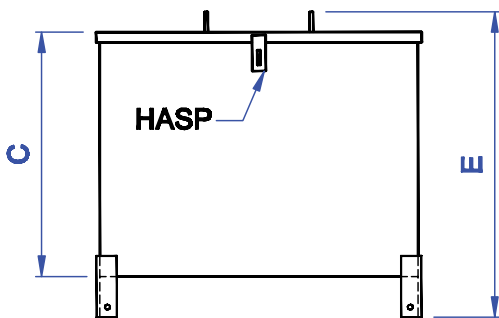
MODEL No.	PART No.	A	B	C	D	E	F	G	ØH	I	J	ØK	WT. (lbs.)
DF-556	95005	12"	12"	18"	15-1/2"	15"	17-5/8"	11"	9/32"	17-1/4"	9-1/4"	5/8"	35

SPECIALTY

DRY BOX



PLAN VIEW



MODEL No.	PART No.	A	B	C	D	E	WT. (lbs.)
DF-522	30134	48"	48"	36"	69-3/4"	45"	440

SPECIALTY

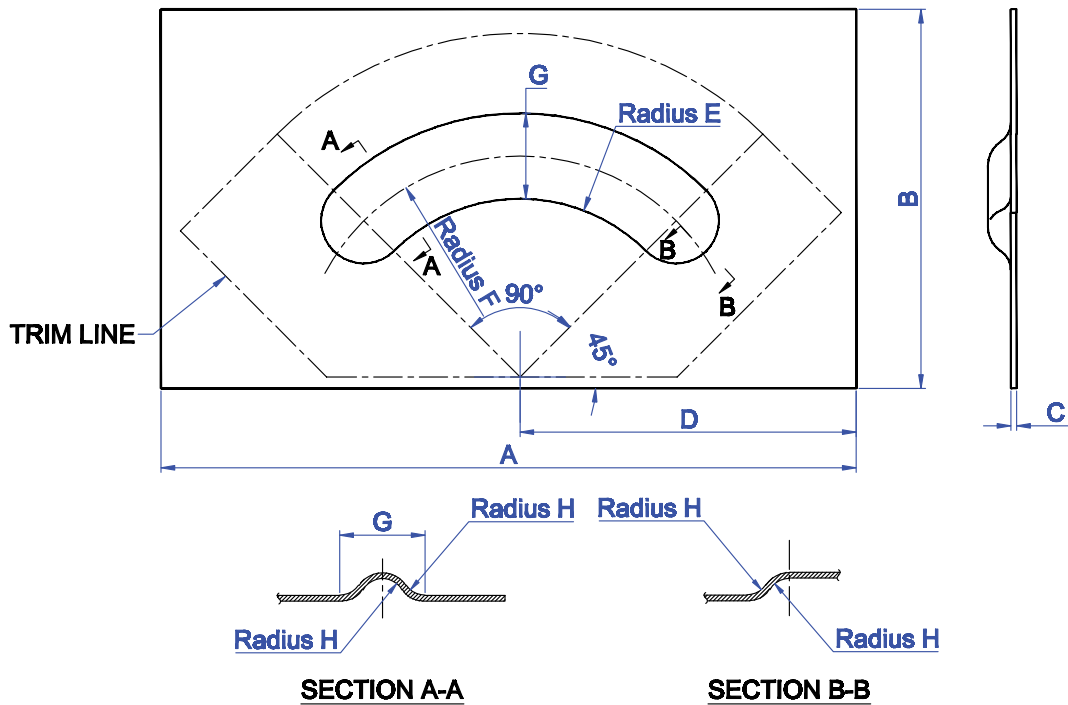
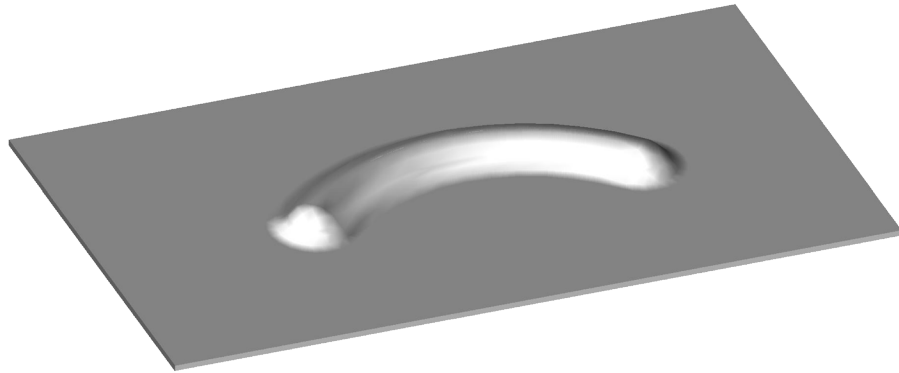

NABRICO

nabrico-marine.com

615.442.1300

The specifications and details described by drawings or text in this literature are subject to change without notice.

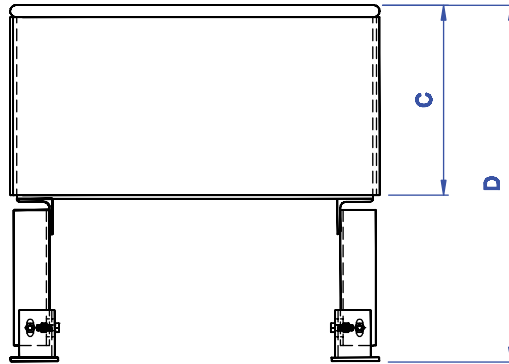
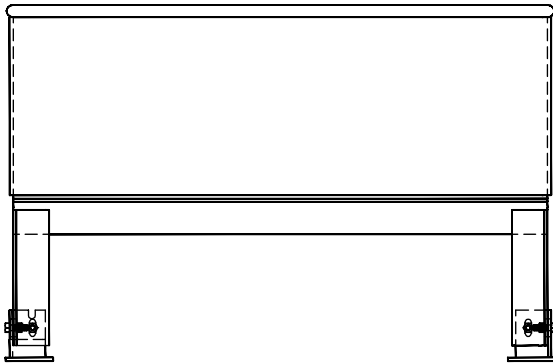
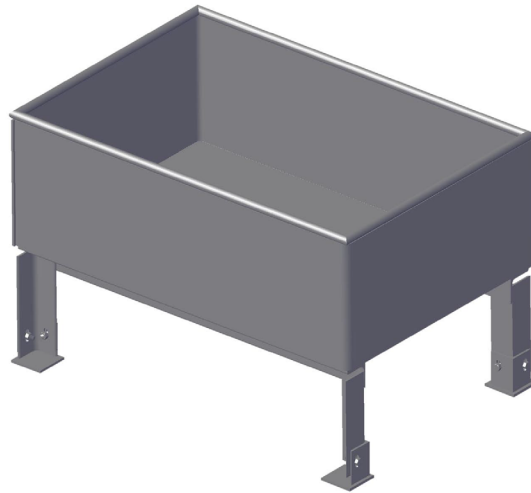
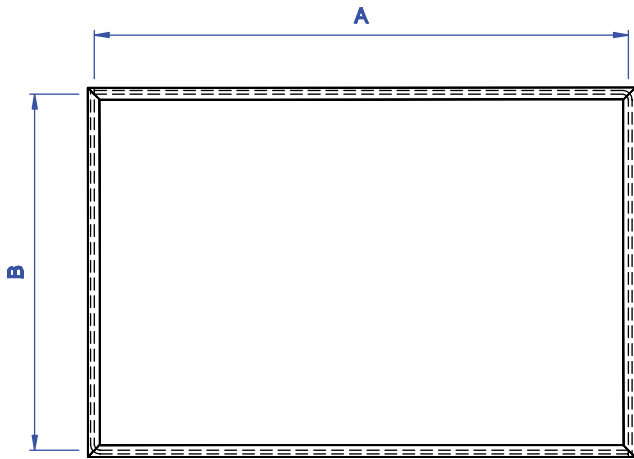
EXPANSION PLATE



MODEL No.	PART No.	SIZE	A	B	C	D	E	F	G	H	WT. (lbs.)
DF-443-3	87890	3"	30-1/2"	16-5/8"	1/4"	14-3/4"	7-13/16"	9-11/16"	3-3/4"	1"	38
DF-443-6	87904	6"	34-1/2"	19-5/8"	1/4"	16-3/4"	10-13/16"	12-11/16"	3-3/4"	1"	50

SPECIALTY

DRIP PANS



MODEL NO.	PART NO.	SIZE	A	B	C	D	WT (LBS.)
DF-830-2	93475	2 BARREL	30"	45"	16"	30"	457
DF-830-3	93483	3 BARREL	43-1/2"	45"	16"	30"	538
DF-830-4	93491	4 BARREL	57"	45"	16"	30"	684
DF-830-5	93505	5 BARREL	70-1/2"	45"	16"	30"	798
DF-830-6	93513	6 BARREL	84"	45"	16"	30"	913

SPECIALTY



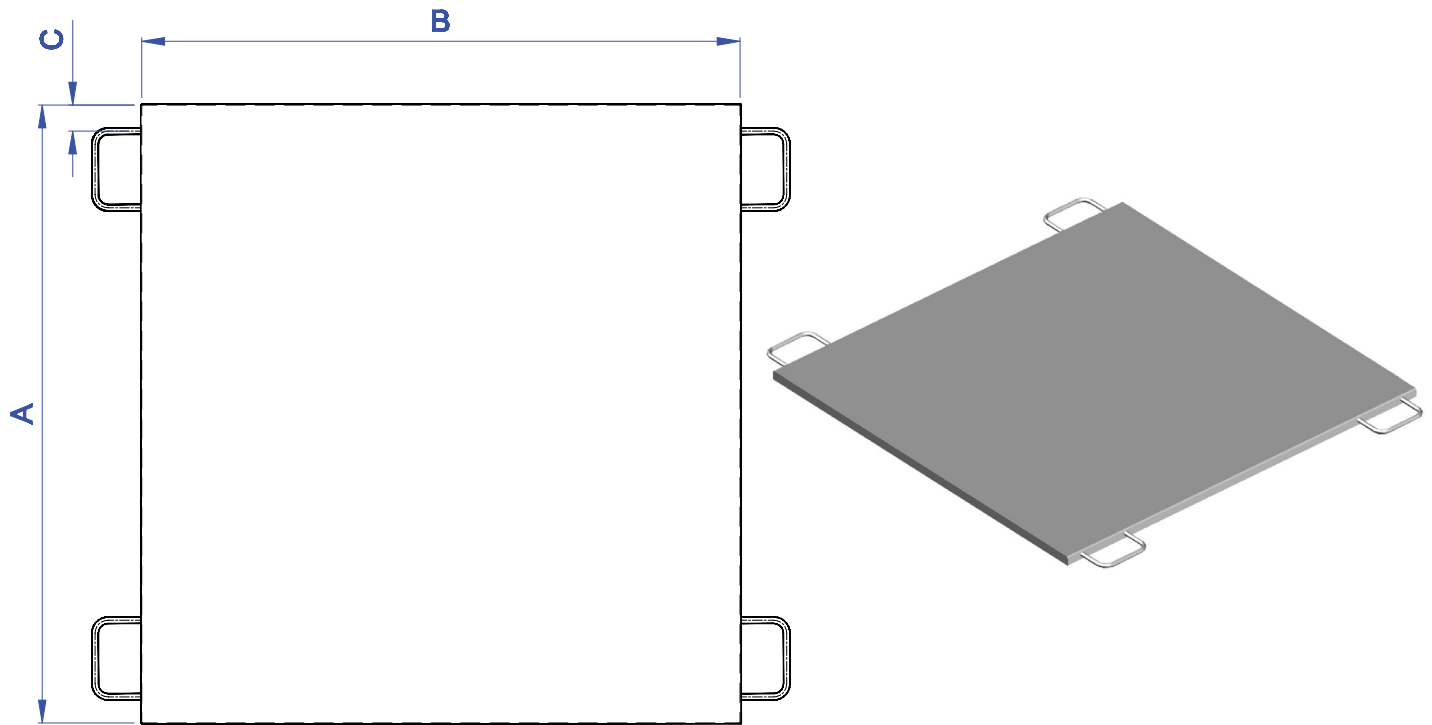
NABRICO

nabrico-marine.com

615.442.1300

The specifications and details described by drawings or text in this literature are subject to change without notice.

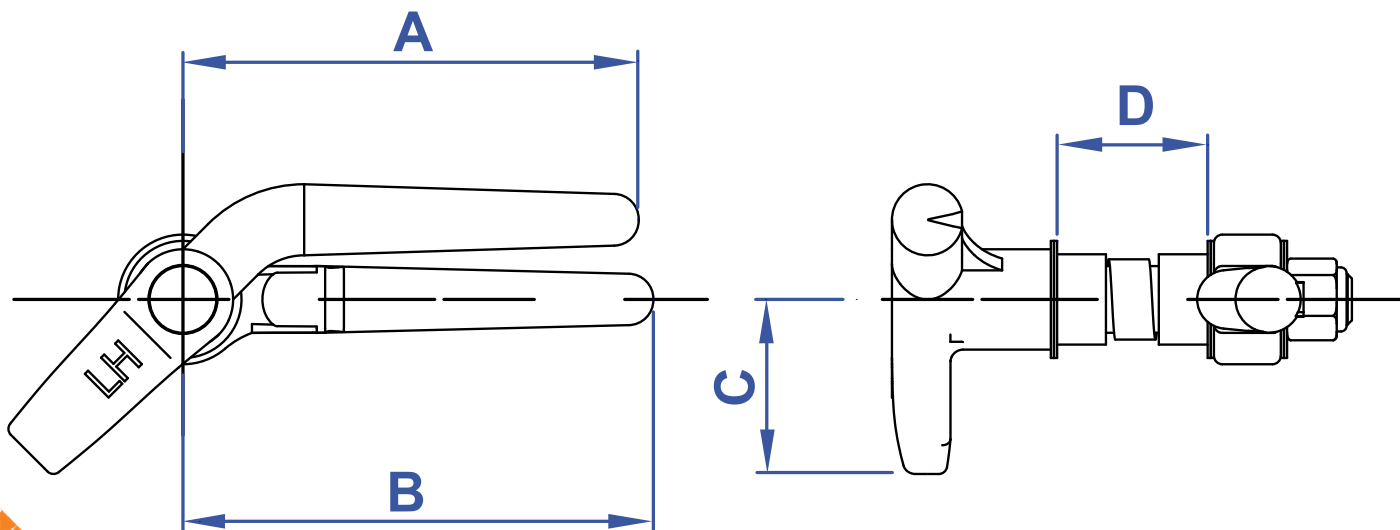
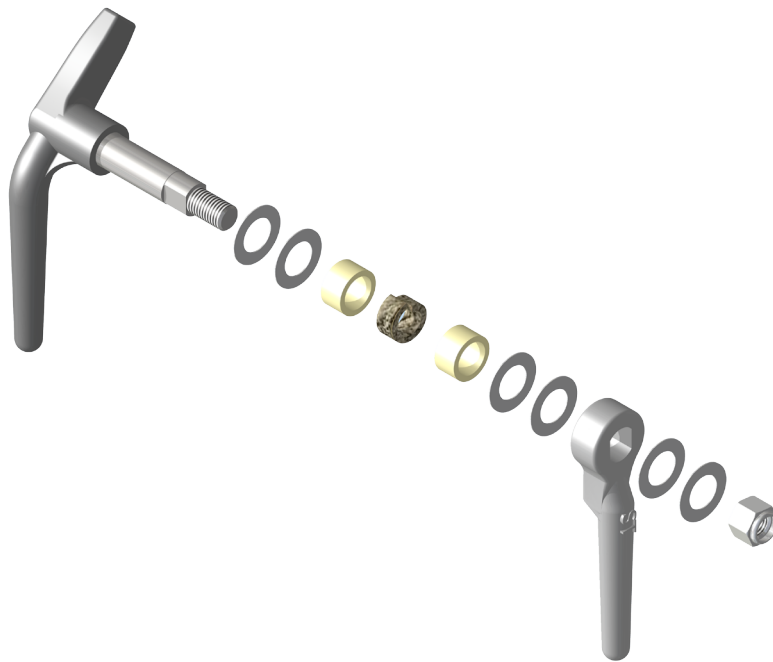
DRIP PAN COVERS



MODEL NO.	PART NO.	SIZE	A	B	C	WT (LBS.)
DF-830-2	30115	2 BARREL	33-7/8"	45-7/8"	2"	65
DF-830-3	90342	3 BARREL	47-3/8"	45-7/8"	2"	85
DF-830-4	90361	4 BARREL	60-7/8"	45-7/8"	2"	105
DF-830-5	90371	5 BARREL	74-3/8"	45-7/8"	2"	125
DF-830-6	90350	6 BARREL	87-7/8"	45-7/8"	2"	140

SPECIALTY

DOOR DOG HANDLE KIT



SPECIALTY

MODEL NO.	LH PART NO.	RH PART NO.	A	B	C	D	WT (LBS.)
DDK	100111	100112	6-13/16"	7-1/16"	2-5/8"	2-1/4"	6.25



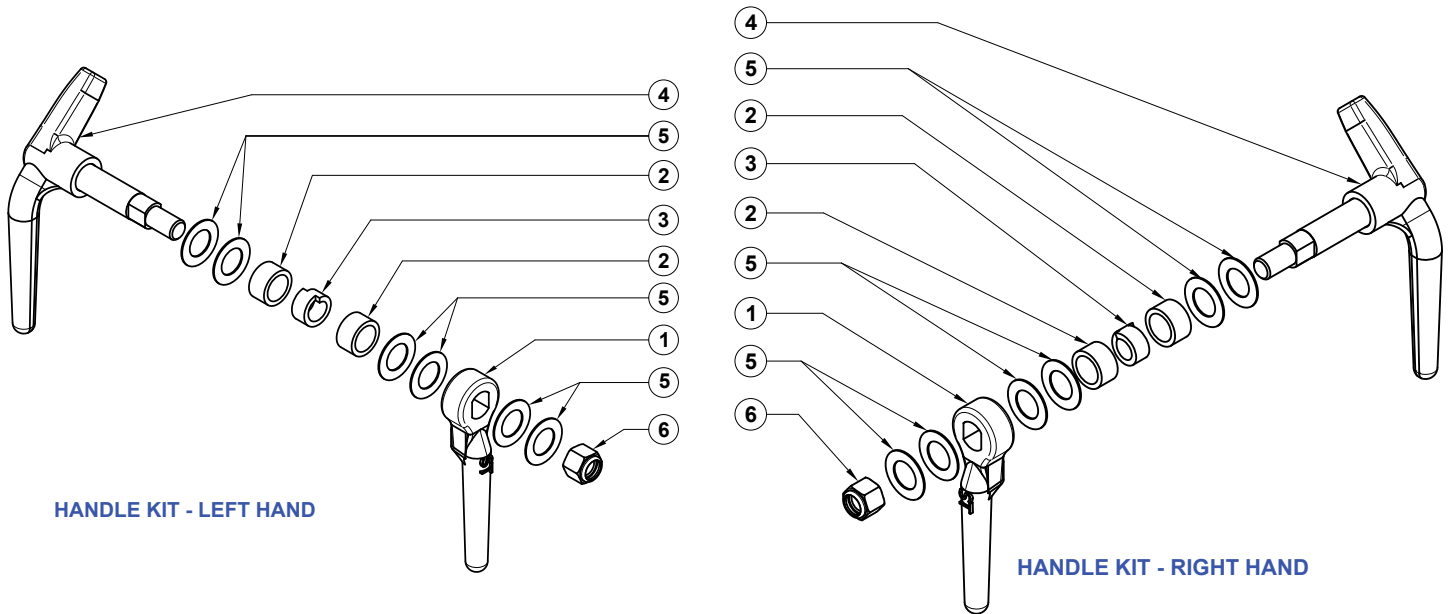
NABRICO

nabrico-marine.com

615.442.1300

The specifications and details described by drawings or text in this literature are subject to change without notice.

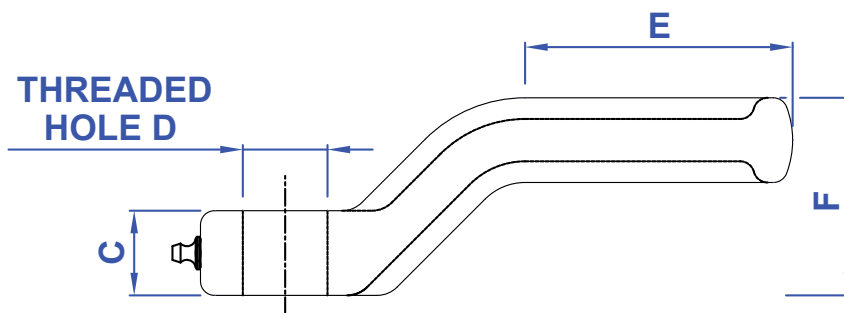
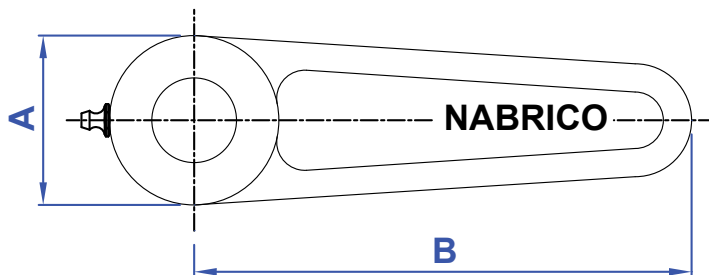
DOOR DOG HANDLE KIT



ITEM	DESCRIPTION	LH PART NO.	RH PART NO.	MATERIAL
1	DOOR DOG HANDLE (STRAIGHT)	94080	94080	MILD STEEL
2	BUSHING (1.35" OD)	316	316	NYLON
2	BUSHING (1.28" OD)	298	298	NYLON
3	DOG HANDLE PACKING	307	307	BRAIDED GRAPHITE
4	DOOR DOG HANDLE ASS'Y	94064	94072	MS / SS
5	FLAT SHIM WASHER (SS) 1" DIA	318	318	STAINLESS STEEL
6	NYLON INSERT HEX NUT (316 SS) 3/4-10	319	319	STAINLESS STEEL

SPECIALTY

DOG HANDLE



DOG HANDLES WITHOUT GREASE FITTINGS	
MATERIAL	PART NUMBER
BRONZE	17744
IRON	74837
GALVANIZED	74839
STAINLESS	85235

DOG HANDLES WITH GREASE FITTINGS	
MATERIAL	PART NUMBER
BRONZE	17743
IRON	74836
GALVANIZED	74838
STAINLESS	85236

MODEL No.	A	B	C	D	E	F	WT. (lbs.)
DF-39	1-1/2"	4-1/2"	3/4"	3/4"-10 UNC	2"	1-3/4"	0.8

SPECIALTY



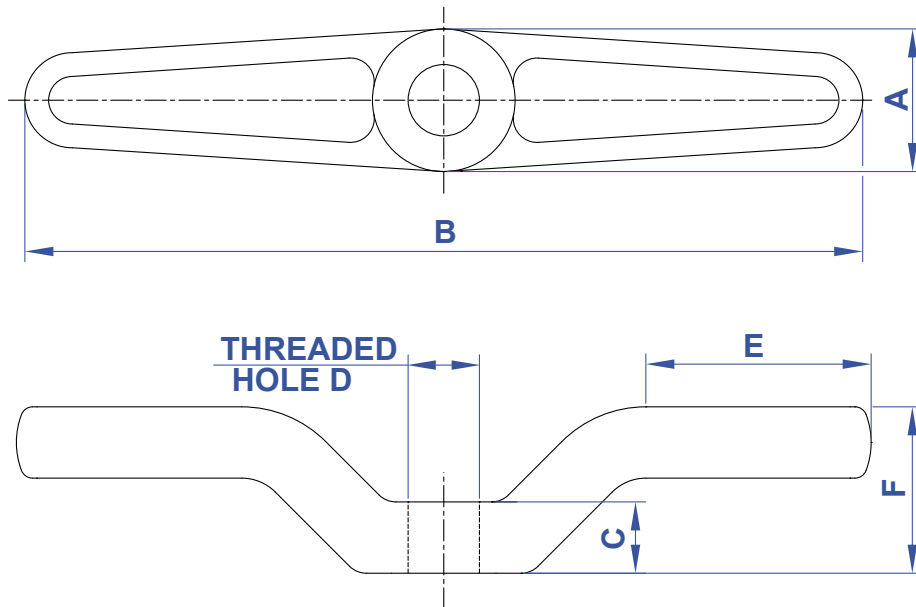
NABRICO

nabrigo-marine.com

615.442.1300

The specifications and details described by drawings or text in this literature are subject to change without notice.

DOUBLE WING DOG HANDLE

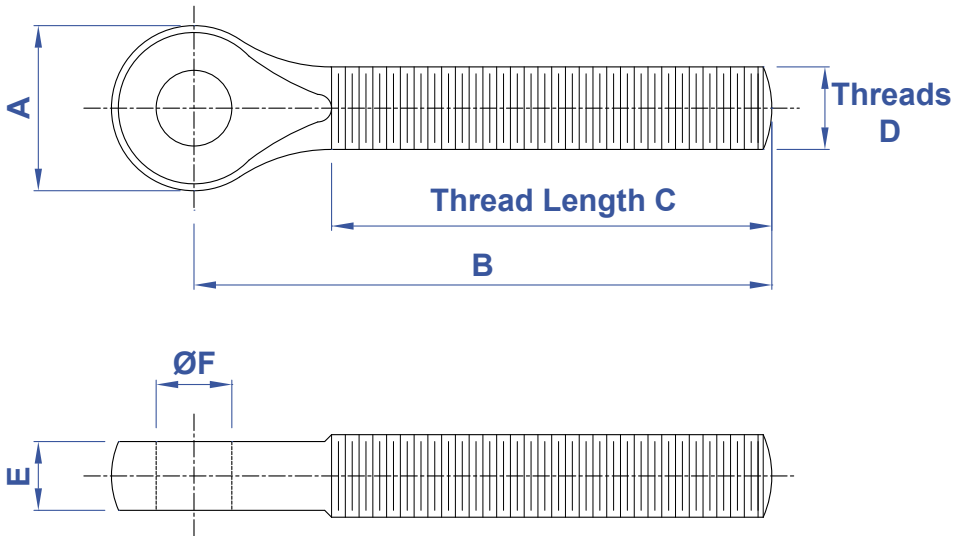
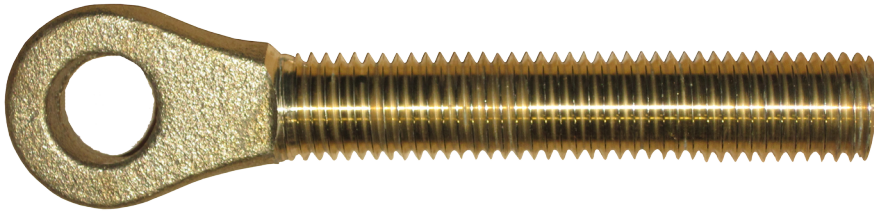


MATERIAL	PART NUMBER
BRONZE	17876

MODEL No.	A	B	C	D	E	F	WT. (lbs.)
DF-39	1-1/2"	8-3/4"	3/4"	3/4"-10 UNC	2"	1-3/4"	1.2

SPECIALTY

TUMBLE BOLT



MATERIAL	PART NUMBER
BRONZE	10774
STAINLESS 304	87939

MODEL No.	SIZE	A	B	C	D	E	ØF	WT. (lbs.)
DF-43	5-1/4"	1-1/2"	5-1/4"	4"	3/4"-10 UNC	5/8"	11/16"	1

SPECIALTY



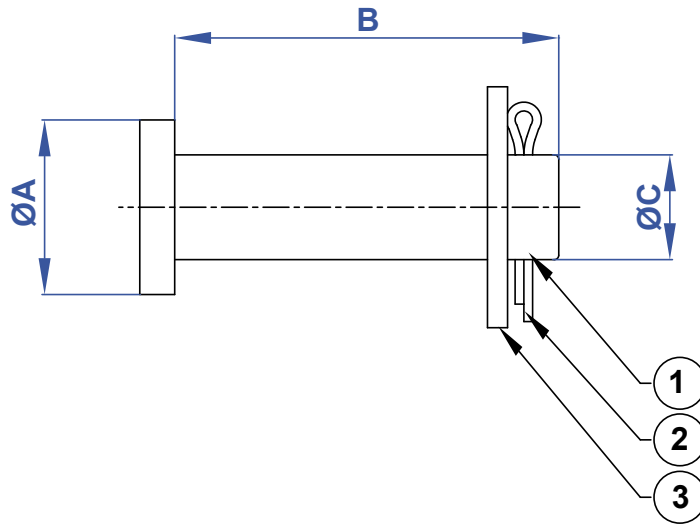
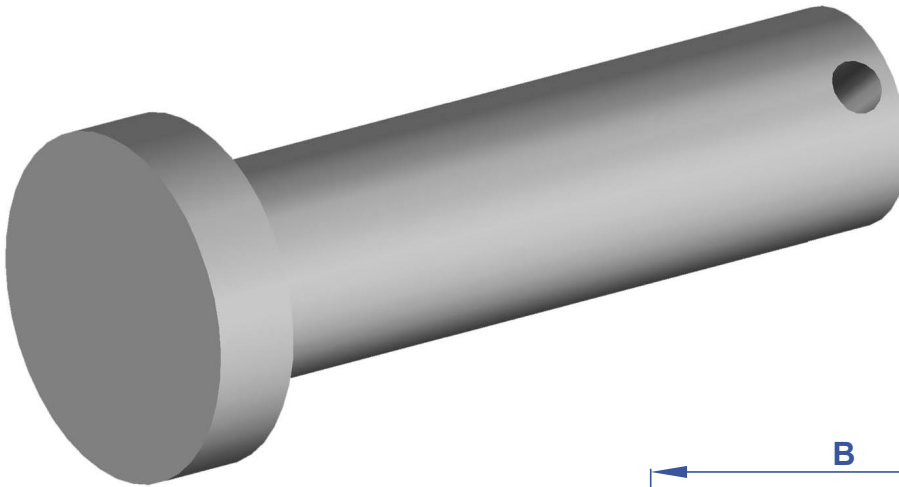
NABRICO

nabrico-marine.com

615.442.1300

The specifications and details described by drawings or text in this literature are subject to change without notice.

TUMBLE BOLT PIN KIT

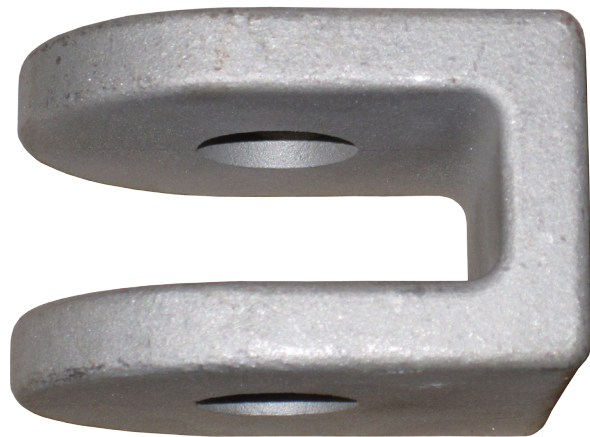
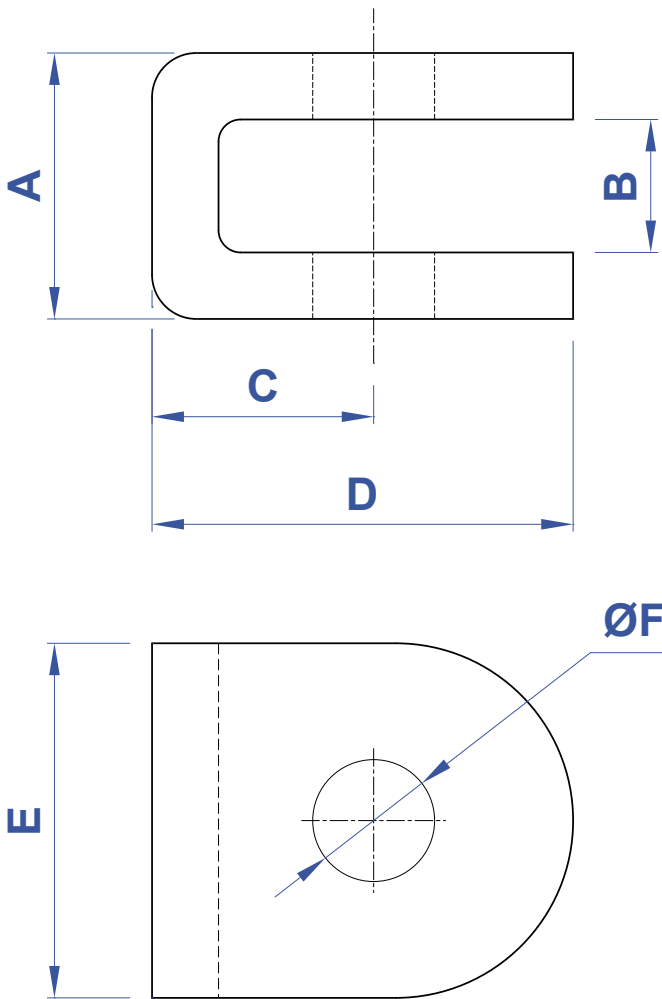


ITEM	DESCRIPTION	PART NO.	MATERIAL
1	TUMBLE BOLT PIN	92771	STAINLESS
2	COTTER PIN	92789	STAINLESS
3	WASHER	453	STAINLESS

MATERIAL	PART No.	ØA	B	ØC	WT. (lbs.)
STAINLESS	363	1"	2-1/4"	5/8"	0.2

SPECIALTY

TUMBLE BOLT LUG



MATERIAL	PART NUMBER
STEEL	75051
STAINLESS	75070

MODEL No.	A	B	C	D	E	ØF	WT. (lbs.)
DF-35	1-1/2"	3/4"	1-1/4"	2-3/8"	2"	11/16"	1

SPECIALTY

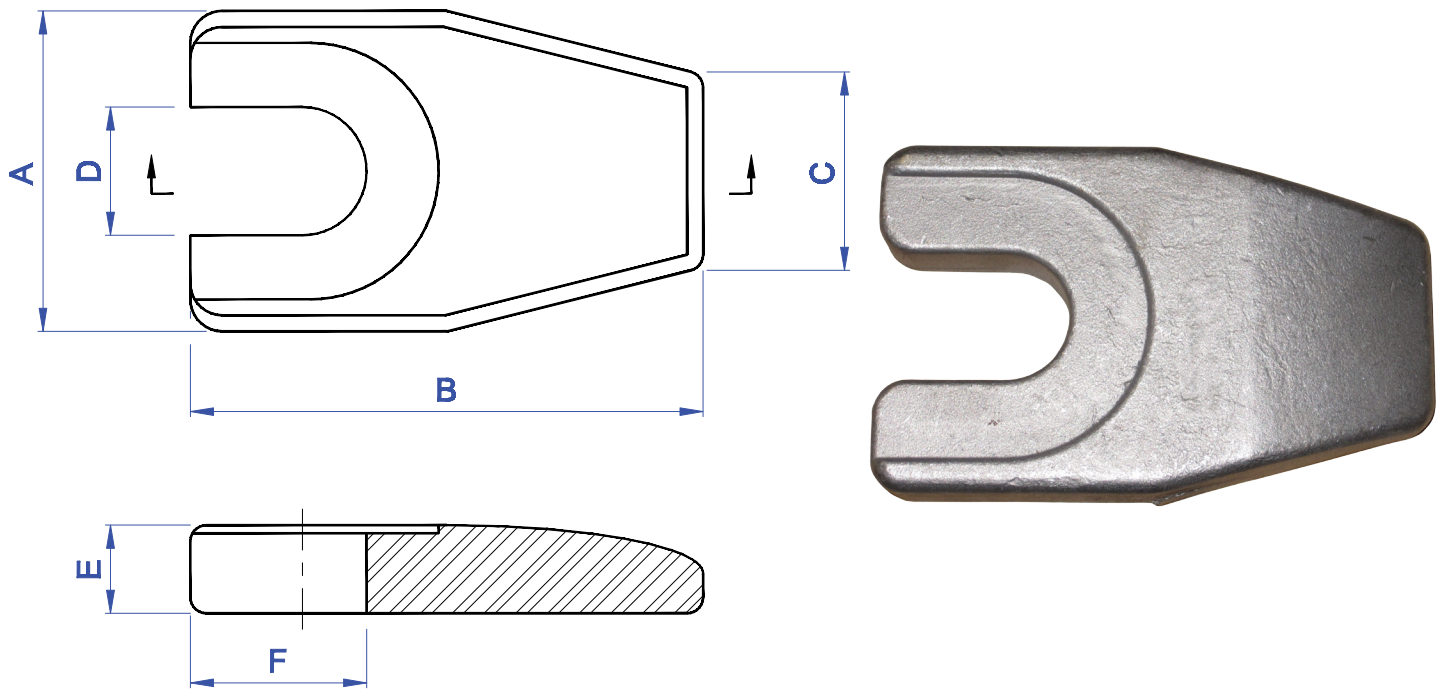

NABRICO

nabrico-marine.com

615.442.1300

The specifications and details described by drawings or text in this literature are subject to change without notice.

DOGGING PAD

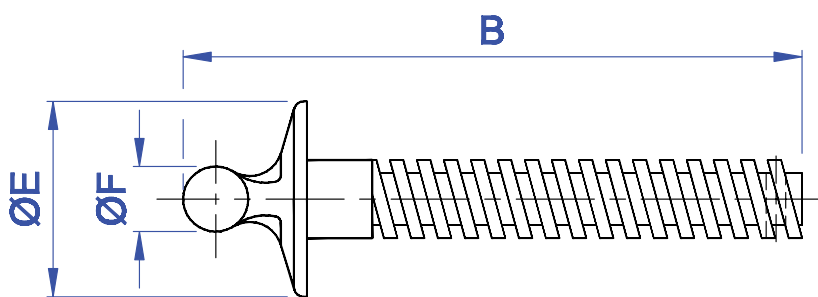
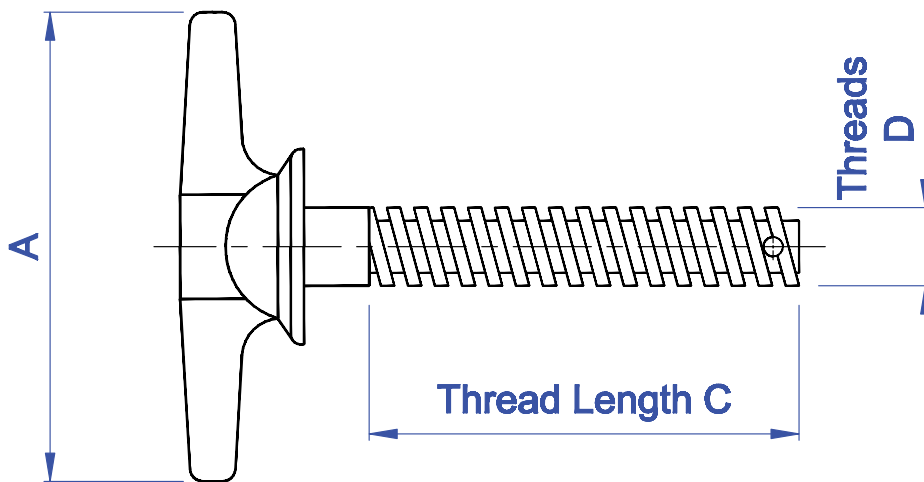
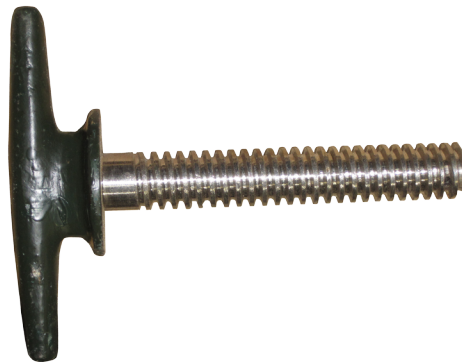


MATERIAL	PART NUMBER
STEEL	6440
STAINLESS	6441

MODEL No.	A	B	C	D	E	ØF	WT. (lbs.)
DF-37	2-1/2"	4"	1-1/2"	1"	11/16"	1-3/8"	1

SPECIALTY

T-HANDLE



SPECIALTY

MODEL No.	MATERIAL	PART No.	A	B	C	D	ØE	ØF	WT. (lbs.)
DF-41	STAINLESS 304	16993	4-1/2"	5-15/16"	4-1/8"	3/4"-ACME	1-7/8"	5/8"	1



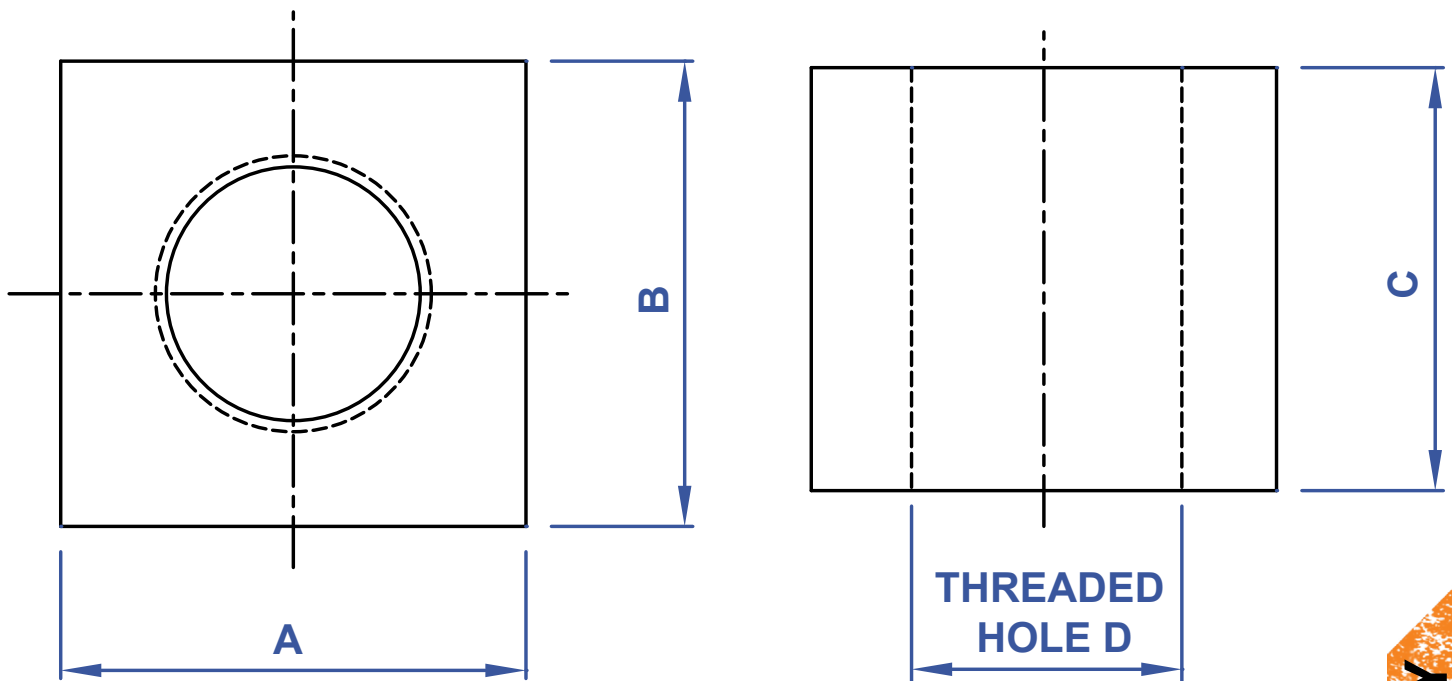
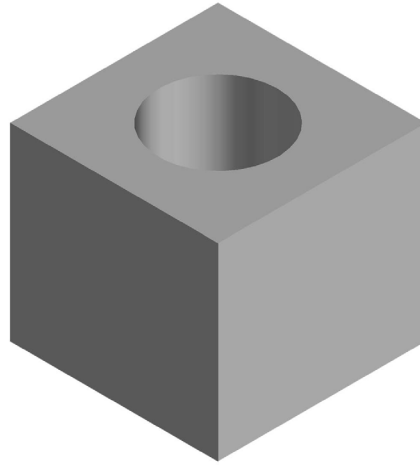
NABRICO

nabrico-marine.com

615.442.1300

The specifications and details described by drawings or text in this literature are subject to change without notice.

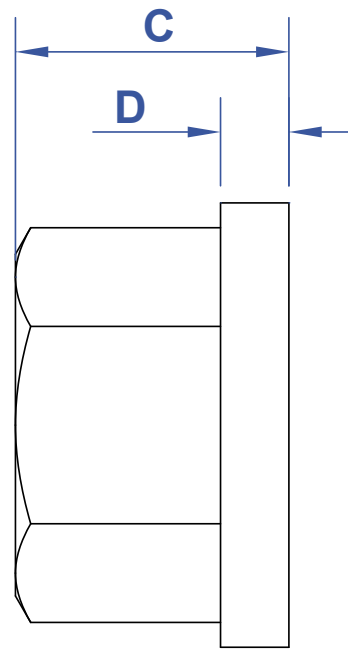
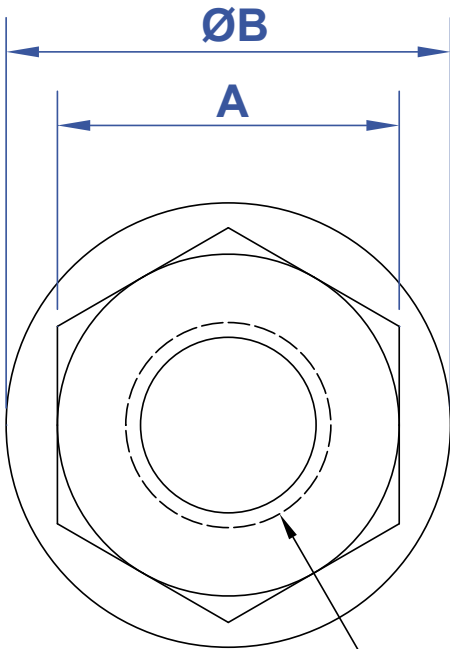
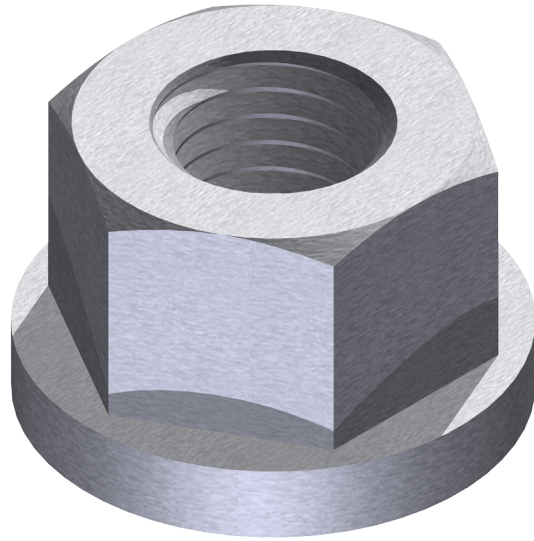
SQUARE BRASS NUT



MATERIAL	PART No.	A	B	C	D	WT. (lbs.)
BRASS	507	1-3/8"	1-3/8"	1-1/4"	3/4"-ACME	1

SPECIALTY

FLANGED HEX NUT



THREAD E

MATERIAL	PART No.	A	B	C	D	THREAD E	WT. (lbs)
304 SS	20870	1-1/4"	1-5/8"	1"	1/4"	3/4"-10 UNC	.3
316 SS	20871	1-1/4"	1-5/8"	1"	1/4"	3/4"-10 UNC	.3

SPECIALTY



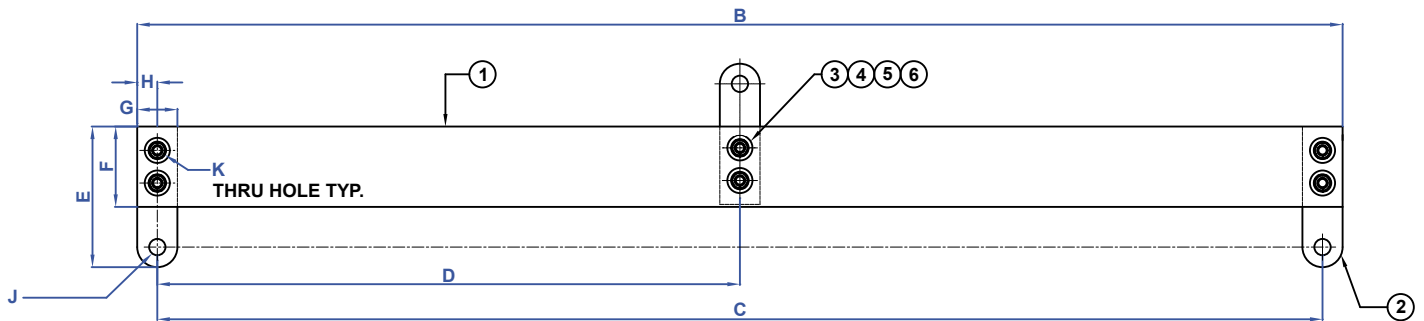
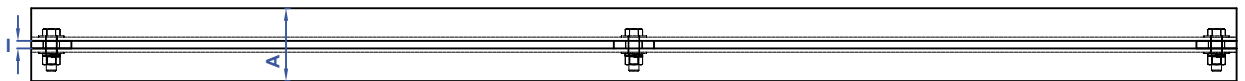
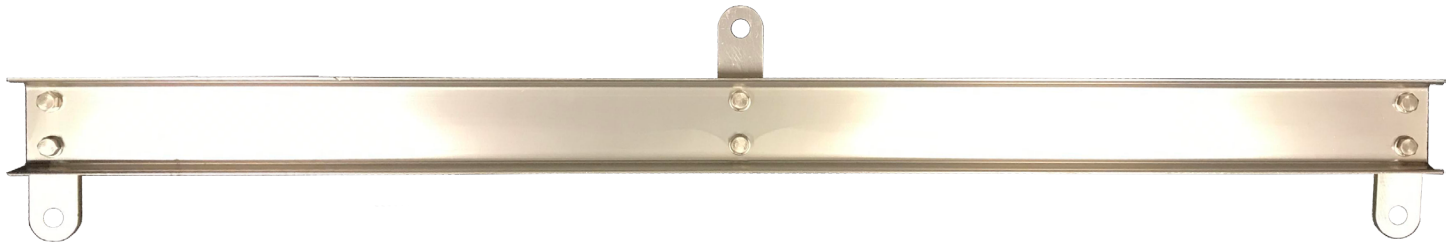
NABRICO

nabrico-marine.com

615.442.1300

The specifications and details described by drawings or text in this literature are subject to change without notice.

HOSE CRANE SPREADER BAR



SAFE WORKING LOAD: 2,500 lbf [1,130 kgf]

ITEM	DESCRIPTION	MATERIAL
1	C4X5.4 CHANNEL	ALUMINUM
2	LIFTING LUG	STAINLESS
3	1/2"-13 UNC X 1-3/4" BOLT	STAINLESS
4	1/2" WASHER	STAINLESS
5	1/2" LOCK WASHER	STAINLESS
6	1/2"-13 HEX NUT	316 STAINLESS

PART No.	A	B	C	D	E	F	G	H	I	Ø J	Ø K	WT. (lbs)
135900	3-5/8"	60"	58"	29"	7"	4"	2"	1"	3/8"	13/16"	9/16"	25

SPECIALTY

The information and sketches shown in this website are proprietary to NABRICO. Duplication, reproduction or manufacture from data contained herein is strictly prohibited.

All deck fittings and winches must be sized correctly, properly located and properly installed to serve their intended functions. It is the owner/operator's responsibility to adhere to the aforementioned.

Improper installation can result in failure of a casting or winch. Deck fittings which have failed due to overloads, or have been dislodged from foundations, or have fractures and/or deformations should be repaired or replaced immediately.

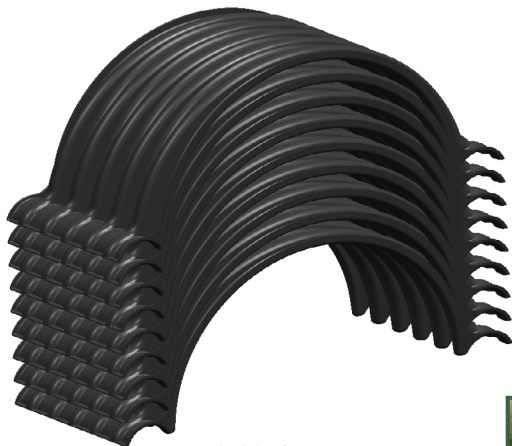
In particular, loads to bitts must be applied to the posts between the base and the midpoint in a horizontal or downward direction. Properly placed chocks will prevent line chafing. Kevels should be installed horizontally on foundation bases of sufficient size. Forces to Kevels must be directed to the trunk and not the horns. Horns will fail when exposed to direct loads.

Deck fittings are not designed for use to lift the vessel. Misapplication or misuse of a deck fitting is not the responsibility of the supplier or NABRICO.

Please note that dimensions and weights are nominal and are subject to standard variations.

ENVIROSPAN

Modular Culvert Systems



Stackable for easy transport.



Span sections and wedge sections may be placed in multiple configurations to meet your individual needs.

FEATURES

- Patented, non-metallic, non-corrosive, non-leeching, and reusable permanent or temporary arch culvert system.
- Suitable for use over fish bearing and environmentally sensitive streams without disturbing the stream bed.
- Produced from liquid molding resin resulting in a durable non-metallic alternative to heavy metal culverts.
- Available in span and elbow sections allowing for a precise following of the natural stream bed without additional disturbance.
- Culvert FEA (Finite Element Analysis) with 0.91m (3 ft.) of granular backfill, subject to a 307kN (69,000 lb.) per axle load exceeded the BCFS L-150 (GVW 136,090 KGs) off road truck load standard. Culverts were load tested with 56,000 lb. per axle which exceeds BCFS L-100 (GVW 90,680 KGs) and AASHTO H25 load.
- Due to the lightweight material and innovative design, the bottomless culverts require less time, equipment, and manpower for environmentally friendly installations when compared to traditional stream crossing methods.

PHONE: 615.649.3700 • TOLL FREE: 877.864.4034 • www.enviro-span.com



NABRICO

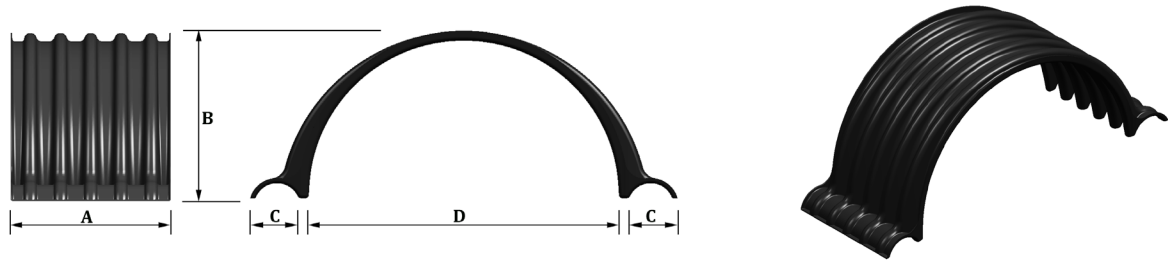
nabrigo-marine.com

615.442.1300

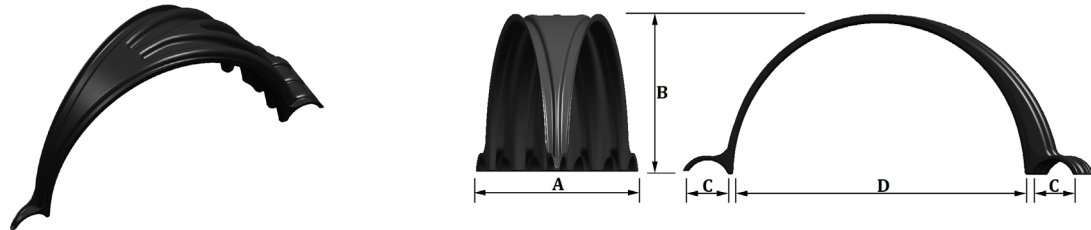
The specifications and details described by drawings or text in this literature are subject to change without notice.

ENVIRO-SPAN

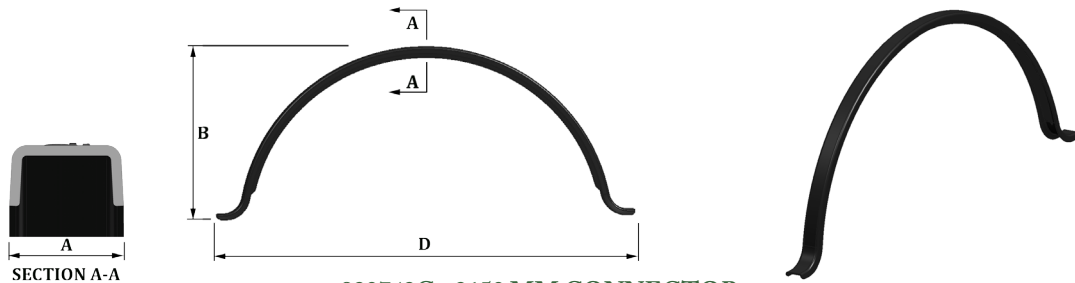
Modular Culvert Systems



900742C - 2150 MM STRAIGHT SPAN



910723C - 2150 MM 23° WEDGE SPAN



920742C - 2150 MM CONNECTOR

PART NUMBER	DESCRIPTION	A	B	C	D	WGT
900742C	2150 MM STRAIGHT SPAN	1070 MM	1120 MM	305 MM	2150 MM	64 KG
	7 FT STRAIGHT SPAN	42"	44"	12"	85"	141 LB
910723C	2150 MM 23° WEDGE SPAN	1130 MM	1120 MM	305 MM	2150 MM	43 KG
	7 FT 23° WEDGE SPAN	45"	44"	12"	85"	95 LB
920742C	2150 MM CONNECTOR	97 MM	1016 MM	N/A	2438 MM	4.5 KG
	7 FT CONNECTOR	3.8"	40"	N/A	96"	10 LB

PHONE: 615.649.3700 • TOLL FREE: 877.864.4034 • www.enviro-span.com

nabrico-marine.com

615.442.1300

NABRICO

The specifications and details described by drawings or text in this literature are subject to change without notice.



NABRICO

1250 GATEWAY DRIVE | GALLATIN TN, 37066

615.442.1300 | 615.442.1313 FAX

www.nabrico-marine.com