





# NABRICO

## TABLE OF CONTENTS

|  |    |
|--|----|
| POWER WINCHES .....                      | 2  |
| DF-1 UPRIGHT ELECTRIC WINCH .....        | 3  |
| 30 TON UPRIGHT ELECTRIC WINCH.....       | 4  |
| 40 TON UPRIGHT ELECTRIC WINCH.....       | 5  |
| 65 TON UPRIGHT ELECTRIC WINCH.....       | 6  |
| HYDRA-ELECTRIC WINCH .....               | 7  |
| 10 TON HYDRA-ELECTRIC WINCH .....        | 8  |
| 20 TON HYDRA-ELECTRIC WINCH .....        | 9  |
| 40 TON HYDRA-ELECTRIC WINCH .....        | 10 |
| 60 TON HYDRA-ELECTRIC WINCH .....        | 11 |
| 40 TON DOUBLE DRUM WINCH .....           | 12 |
| SPUD WINCH .....                         | 13 |
| 40 TON UPRIGHT SPUD WINCH .....          | 14 |
| 65 TON UPRIGHT SPUD WINCH .....          | 15 |
| BARGE POSITIONING SYSTEM .....           | 16 |
| BARGE POSITIONING SYSTEM .....           | 17 |
| BARGE POSITIONING SYSTEM .....           | 18 |
| BARGE POSITIONING WINCH (18" DRUM) ..... | 19 |
| BARGE POSITIONING WINCH (24" DRUM) ..... | 20 |







# NABRICO

|  |    |
|--|----|
| BARGE POSITIONING WINCH (36" DRUM) ..... | 21 |
| ANCHOR WINCHES.....                      | 22 |
| ANCHOR WINCHES.....                      | 23 |
| MANUAL WINCHES.....                      | 24 |
| 2 AND 5 TON MANUAL WINCH .....           | 25 |
| 2 TON MANUAL WINCH ASSY.....             | 26 |
| DF-3 MANUAL WINCH .....                  | 27 |
| 30 TON UPRIGHT MANUAL WINCH.....         | 28 |
| 40 TON UPRIGHT MANUAL WINCH.....         | 29 |
| DF-156 MANUAL WINCHES .....              | 30 |
| 10 TON MANUAL WINCH.....                 | 31 |
| 20 TON MANUAL WINCH.....                 | 32 |
| 40 TON MANUAL WINCH.....                 | 33 |
| 60 TON MANUAL WINCH.....                 | 34 |
| DF-529 LOW PROFILE WINCH .....           | 35 |
| 40 TON LP BUTTON MOUNT WINCH .....       | 36 |
| 40 TON LP BASE BAR MOUNT WINCH .....     | 37 |
| 40 TON LP DOUBLER PLATE MOUNT .....      | 38 |
| 40 TON LP D-RING MOUNT WINCH .....       | 39 |
| 40 TON COMPACT LOW PROFILE WINCH .....   | 40 |
| PARKER WINCH .....                       | 41 |





# NABRICO

|  |    |
|--|----|
| 25 TON PARKER WINCH .....                | 42 |
| 25 TON PARKER ELECTRIC WINCH .....       | 43 |
| LEVEL WIND KIT .....                     | 44 |
| LEVEL WIND KIT FOR DF-156 HE WINCH ..... | 45 |
| LEVEL WIND KIT FOR 40 TON ELECTRIC ..... | 46 |

## CAPSTANS

|                |    |
|----------------|----|
| CAPSTANS ..... | 48 |
|----------------|----|

## DOORS

|   |    |
|---|----|
| 4 DOG WEATHERTIGHT DOOR .....           | 50 |
| 6 DOG WEATHERTIGHT DOOR .....           | 51 |
| DOOR WITH FIXED PORTLIGHT .....         | 52 |
| QUICK ACTING WEATHERTIGHT DOOR .....    | 53 |
| SINGLE LEVER (4 DOG) WEATHERTIGHT ..... | 54 |
| SINGLE LEVER (6 DOG) WEATHERTIGHT ..... | 55 |

## HATCHES

|  |    |
|--|----|
| RAISED MULTI-BOLT CLEAN OUT HATCH .....    | 58 |
| RAISED MULTI-BOLT OVAL HATCH .....         | 59 |
| RAISED (6 PSI) MULTI-BOLT HATCH .....      | 60 |
| RAISED (6 PSI) MULTI-BOLT OVAL HATCH ..... | 61 |
| RAISED MULTI-STUD ROUND HATCH .....        | 62 |





# NABRICO

|  |    |
|--|----|
| RAISED MULTI-STUD OVAL HATCH .....               | 63 |
| FLUSH MULTI-BOLT CLEAN OUT HATCH .....           | 64 |
| FLUSH MULTI-BOLT OVAL HATCH .....                | 65 |
| FLUSH MULTI-STUD ROUND HATCH.....                | 66 |
| FLUSH MULTI-STUD OVAL HATCH.....                 | 67 |
| FLUSH MULTI-SCREW ROUND HATCH.....               | 68 |
| FLUSH MULTI-SCREW OVAL HATCH .....               | 69 |
| FLUSH MULTI-SCREW SQUARE HATCH .....             | 70 |
| FLUSH WATERTIGHT T-HANDLE HATCH .....            | 71 |
| FLUSH GALV. WATERTIGHT T-HANDLE HATCH .....      | 72 |
| RAISED WATERTIGHT SINGLE BOLT ROUND HATCH .....  | 73 |
| RAISED WATERTIGHT SINGLE BOLT OVAL HATCH .....   | 74 |
| RAISED WATERTIGHT QUICK ACTING ESCAPE HATCH..... | 75 |
| FLUSH WATERTIGHT QUICK ACTING ESCAPE HATCH.....  | 76 |
| RAISED WATERTIGHT QUICK ACTING HATCH.....        | 77 |
| RAISED WATERTIGHT QUICK ACTING HATCH.....        | 78 |
| FLUSH WATERTIGHT QUICK ACTING HATCH .....        | 79 |
| TWIST LOCK HATCH .....                           | 80 |
| SINGLE DOG ULLAGE HATCH.....                     | 81 |
| SINGLE DOG ULLAGE HATCH.....                     | 82 |
| 3 DOG RAISED WATERTIGHT HATCH .....              | 83 |



# NABRICO

|  |    |
|--|----|
| SINGLE DOG RAISED WATERTIGHT HATCH ..... | 84 |
| 2 DOG RAISED WATERTIGHT HATCH .....      | 85 |
| 2 DOG RAISED WATERTIGHT HATCH .....      | 86 |
| 4 DOG RAISED WATERTIGHT HATCH .....      | 87 |
| 4 DOG RAISED WATERTIGHT HATCH .....      | 88 |
| 6 DOG RAISED WATERTIGHT HATCH .....      | 89 |
| 6 DOG RAISED (6 PSI) ROUND HATCH .....   | 90 |
| 6 DOG RAISED (6 PSI) OVAL HATCH .....    | 91 |
| 8 DOG RAISED WATERTIGHT HATCH .....      | 92 |
| TWO BOLT MANHOLE .....                   | 93 |
| VALVE REMOVAL HATCH .....                | 94 |

## KEVELS

|   |     |
|---|-----|
| CAST STEEL KEVEL .....                  | 96  |
| CAST STEEL HEAVY KEVEL .....            | 97  |
| CAST STEEL KEVEL CHOCK .....            | 98  |
| CAST STEEL THRU DECK KEVEL CHOCK .....  | 99  |
| CAST STEEL RAISED KEVEL .....           | 100 |
| CAST STEEL THRU DECK RAISED KEVEL ..... | 101 |

## BITTS

|                              |     |
|------------------------------|-----|
| CAST STEEL SINGLE BITT ..... | 104 |
| CAST STEEL SINGLE BITT ..... | 105 |





# NABRICO

|                                       |     |
|---------------------------------------|-----|
| CAST STEEL THRU DECK SINGLE BITT..... | 106 |
| CAST STEEL THRU DECK SINGLE BITT..... | 107 |
| FABRICATED STEEL SINGLE BITT.....     | 108 |
| FABRICATED STEEL CRUCIFORM BITT ..... | 109 |
| CAST STEEL DOUBLE BITT .....          | 110 |
| CAST STEEL HEAVY DOUBLE BITT .....    | 111 |
| CAST STEEL HEAVY DOUBLE BITT .....    | 112 |

## CHOCKS

|  |     |
|--|-----|
| CAST STEEL 6" BUTTON CHOCK.....              | 114 |
| CAST STEEL 8" BUTTON CHOCK.....              | 115 |
| CAST STEEL 8" BUTTON CHOCK.....              | 116 |
| CAST STEEL 9" BUTTON CHOCK.....              | 117 |
| CAST STEEL 9 1/2" BUTTON CHOCK.....          | 118 |
| CAST STEEL 10" BUTTON CHOCK.....             | 119 |
| CAST STEEL 11" BUTTON CHOCK.....             | 120 |
| CAST STEEL OPEN CHOCK .....                  | 121 |
| CAST STEEL CLOSED CHOCK.....                 | 122 |
| CAST STEEL PANAMA CANAL CHOCK.....           | 123 |
| CAST STEEL PANAMA CANAL CHOCK.....           | 124 |
| CAST STEEL PANAMA CANAL CHOCK (BULWARK)..... | 125 |
| CAST STEEL MOORING RING.....                 | 126 |





# NABRICO

|  |     |
|--|-----|
| FABRICATED STEEL BUTTON CHOCK.....         | 127 |
| FABRICATED STEEL COMBINATION BITT.....     | 128 |
| FABRICATED STEEL OPEN CHOCK.....           | 129 |
| SINGLE ROLLER CHOCK.....                   | 130 |
| SINGLE ROLLER CHOCK.....                   | 131 |
| SINGLE ROLLER CHOCK.....                   | 132 |
| SINGLE ROLLER BUTTON CHOCK.....            | 133 |
| THRU DECK SINGLE ROLLER BUTTON CHOCK.....  | 134 |
| HEAVY DUTY SINGLE ROLLER BUTTON CHOCK..... | 135 |
| PIVOTING ROLLER CHOCK.....                 | 136 |

## SPECIALTY

|   |     |
|---|-----|
| 300 GALLON FUEL OIL TANK.....               | 138 |
| 500 GALLON FUEL TANK.....                   | 139 |
| 7500 GALLON DECK TANK.....                  | 140 |
| ALUMINUM WARNING SIGN.....                  | 141 |
| OIL POLLUTION WARNING SIGN.....             | 142 |
| ALUMINUM EMERGENCY ENGINE CUT OFF SIGN..... | 143 |
| FLANGED HEAD.....                           | 144 |
| FLANGED AND DISHED HEAD.....                | 145 |
| BILGE PLATES.....                           | 146 |
| CAST STEEL D-RING.....                      | 147 |



# NABRICO

|  |     |
|--|-----|
| STEEL CORNER PLATES .....              | 148 |
| REDUCED STEEL SUCTION BELLMOUTH .....  | 149 |
| STEEL SUCTION BELLMOUTH .....          | 150 |
| STEEL SUCTION BELLMOUTH .....          | 151 |
| RATCHET STRAP .....                    | 152 |
| STUFFING GLAND .....                   | 153 |
| EXPANSION TRUNK .....                  | 154 |
| EXPANSION TRUNK .....                  | 155 |
| RAISED WATERTIGHT EXPANSION DOME ..... | 156 |
| INTERLOCKING PIN .....                 | 157 |
| FLAG POLE .....                        | 158 |
| FAIRLEAD ROLLER .....                  | 159 |
| DF-126 BARGE CRANE .....               | 160 |
| DF-126 BARGE CRANE .....               | 161 |
| DF-126 BARGE CRANE .....               | 162 |
| WELD IN FIXED LIGHT .....              | 163 |
| BOLT-ON FIXED LIGHT .....              | 164 |
| BOLT-ON FIXED LIGHT W/ COVER .....     | 165 |
| WELD IN PORTLIGHT .....                | 166 |
| BOLT ON PORTLIGHT .....                | 167 |
| WELD – IN FIXED LIGHT W/ COVER .....   | 168 |



# NABRICO

|  |     |
|--|-----|
| RUNNING LIGHT STAND .....                  | 169 |
| LADDER.....                                | 170 |
| STEERING POLE .....                        | 171 |
| STAINLESS STEEL DOCUMENT BOX/DESK .....    | 172 |
| DRY BOX .....                              | 173 |
| DRIP PANS .....                            | 174 |
| DRIP PAN COVERS .....                      | 175 |
| DOG HANDLE .....                           | 176 |
| TUMBLE BOLT.....                           | 177 |
| TUMBLE BOLT PIN.....                       | 178 |
| TUMBLE BOLT LUG .....                      | 179 |
| DOGGING PAD .....                          | 180 |
| T-HANDLE (DF-430 Style Hatch).....         | 181 |
| SQUARE BRASS NUT (DF-430 Style Hatch)..... | 182 |
| EXPANSION PLATE .....                      | 183 |

## MISC

|  |     |
|--|-----|
| FLEET ANGLE .....                                | 184 |
| DECK FITTING NOTES AND GENERAL INFORMATION ..... | 188 |
| PRODUCT WARRANTY .....                           | 189 |

# WINCHES

**NABRICO** winches represent the expertise of people who know and understand the special needs of the towing industry. **NABRICO's** engineers incorporate over 100 years of experience in the river transportation industry in the development of both specialty and standard winch configurations. A winch designed and built by **NABRICO** assures you of quality and years of dependable service.



**Nabrico Products**  
[www.nabrico-marine.com](http://www.nabrico-marine.com)

1

## POWER WINCHES

|                 |       |
|-----------------|-------|
| ELECTRIC        | 3-6   |
| HYDRA-ELECTRIC  | 7-12  |
| SPUD WINCH      | 13-15 |
| RAILCAR / BARGE | 16-21 |
| ANCHOR          | 22-23 |

## MANUAL WINCHES

|                    |       |
|--------------------|-------|
| 2/5 TON            | 25    |
| DF-7 WORM GEAR     | 26    |
| DF-3 UPRIGHT       | 27-29 |
| DF-156 MANUAL      | 30-34 |
| DF-529 LOW PROFILE | 35-39 |
| DF-539 COMPACT LP  | 40    |
| DF-170 PARKER      | 41-43 |

## LEVEL WIND

|                       |    |
|-----------------------|----|
| DF-156 HYDRA-ELECTRIC | 45 |
| DF-1 ELECTRIC         | 46 |

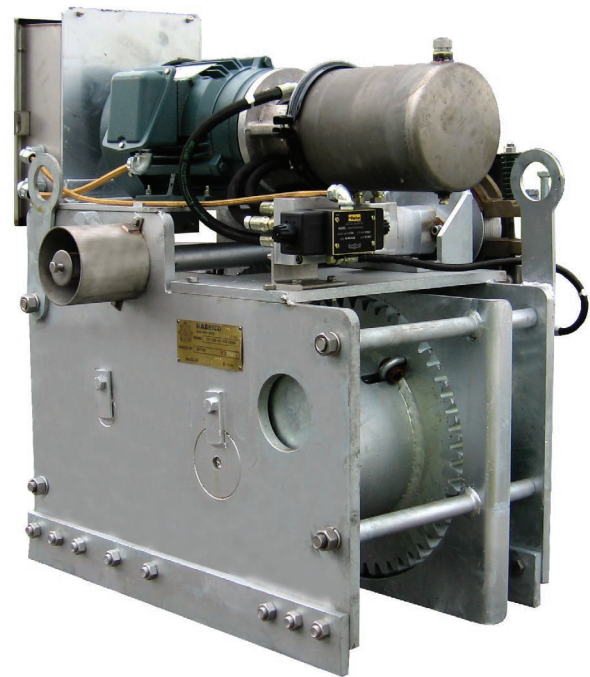


**1250 Gateway Drive**  
**Gallatin, Tennessee 37066**  
**615-442-1300**





# NABRICO



NABRICO offers a variety of options for your power winch needs. We have multiple options for mounting positions of winches and gearmotors. Our winches come standard with a galvanized finish and all stainless steel fasteners. NABRICO's power winches are the heaviest in their class and have a simple design that is field serviceable. NABRICO offers a power winch to fit your specific needs.

## POWER WINCHES

Winches portrayed in drawings, photographs and copy are not designed for lifting or lowering persons or equipment.

**Nabrigo Products**  
[www.nabrigo-marine.com](http://www.nabrigo-marine.com)

2

1250 Gateway Drive  
Gallatin, Tennessee 37066  
615-442-1300

The specifications and details described by drawings or text in this literature are subject to change without notice.





# NABRICO

## FEATURES

- Salt water package standard on all power winches.
- Hot-dipped galvanized.
- Stainless or silicon bronze fasteners.
- 3-ply conveyor belt covers (damage and corrosion resistant).
- 3-tooth locking dog with large release and fail-safe disc brake.
- Provisions for emergency manual operation.
- NEMA motor design with helical bevel gearbox available.
- Control box option: NEMA 4X stainless steel.
- Minimal maintenance and easy to repair.
- Variable frequency drive option available (Amp draw limits, variable speeds and motor protection).
- Made as one model adjustable to true right or left hand models for use in pairs.
- Over 100 fewer parts than other electric winches (no chain or sprockets).
- Heaviest winch in its class.
- 27 Metric Ton - 3.7 Kw motor standard.
- 36 Metric Ton - 5.6 Kw motor standard.
- 45 Metric Ton - 7.5 Kw motor standard.
- 54 Metric Ton - 7.5 Kw motor standard.
- Other line pulls and speeds available.



| MODEL No. | HOLDING DOG &/OR BRAKE | LINE PULL (KG) |              |               | DRUM CAPACITIES (M) |      |      |      |      | WEIGHT KG | DIMENSIONAL DATA |        |        |         |
|-----------|------------------------|----------------|--------------|---------------|---------------------|------|------|------|------|-----------|------------------|--------|--------|---------|
|           |                        | M. TONS        | @ RATED AMPS | @ MOTOR STALL | MPM                 | 13MM | 16MM | 19MM | 22MM |           | 25MM             | W      | L      | H       |
| DF-1-30   |                        | 27             | 5670         | 8505          | 4                   | 110  | 69   | 42   | 37   | 20        | 771              | 508 mm | 559 mm | 1397 mm |
| DF-1-40   |                        | 36             | 7076         | 10614         | 5                   | -    | 87   | 55   | 40   | 31        | 817              | 533 mm | 610 mm | 1702 mm |
| DF-1-50   |                        | 45             | 9435         | 14152         | 5                   | -    | 87   | 55   | 40   | 31        | 839              | 533 mm | 610 mm | 1753 mm |
| DF-1-65   |                        | 54             | 17146        | 25719         | 3                   | -    | 174  | 99   | 80   | 61        | 1452             | 610 mm | 762 mm | 2007 mm |

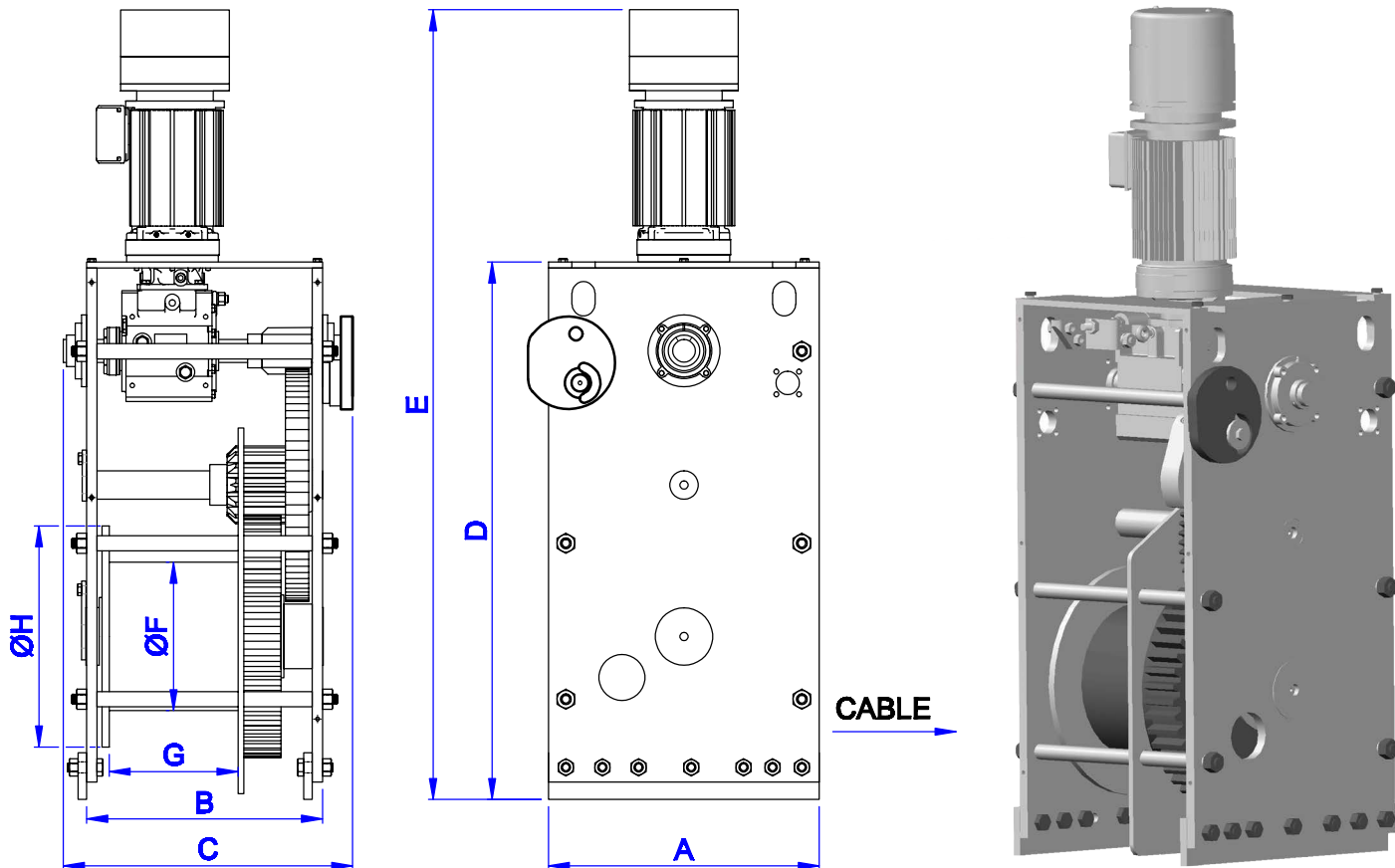
## DF-1 UPRIGHT ELECTRIC WINCH

**Nabrico Products**  
[www.nabrico-marine.com](http://www.nabrico-marine.com)

1250 Gateway Drive  
 Gallatin, Tennessee 37066  
 615-442-1300



# NABRICO



RIGHT HAND WINCH SHOWN  
LEFT HAND WINCH OPPOSITE

| COATINGS   | RH WINCH PART No. | LH WINCH PART No. |
|------------|-------------------|-------------------|
| GALVANIZED | 83391             | 83390             |

| MODEL No. | PART No.                | A      | B      | C      | D      | E       | ØF     | G      | ØH     | WT. (Kg) |
|-----------|-------------------------|--------|--------|--------|--------|---------|--------|--------|--------|----------|
| DF-1-30   | REFER TO COATINGS TABLE | 559 mm | 492 mm | 584 mm | 991 mm | 1461 mm | 273 mm | 279 mm | 407 mm | 772      |

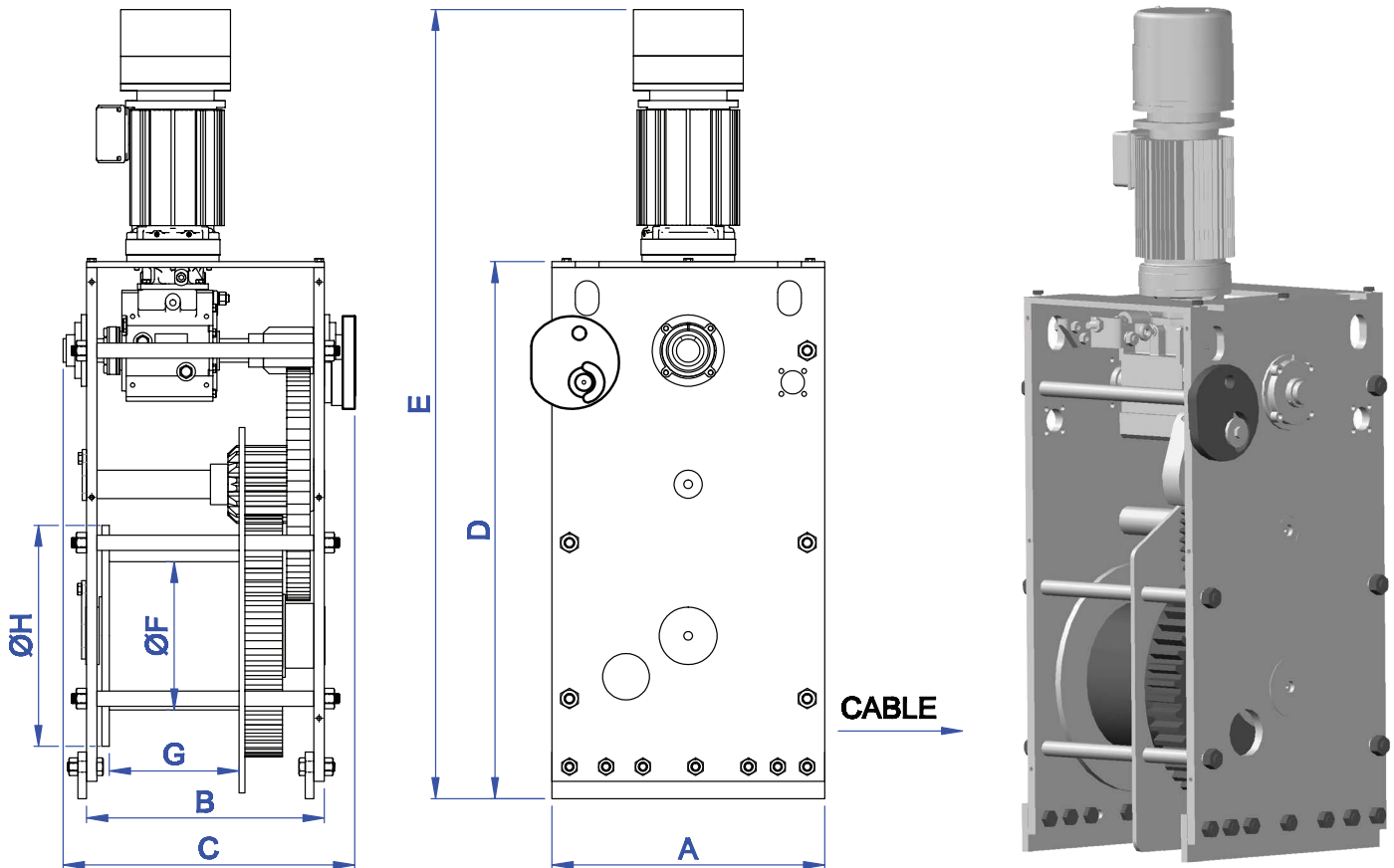
## 30 TON UPRIGHT ELECTRIC WINCH

**Nabrico Products**  
[www.nabrico-marine.com](http://www.nabrico-marine.com)

1250 Gateway Drive  
Gallatin, Tennessee 37066  
615-442-1300



# NABRICO



RIGHT HAND WINCH SHOWN  
LEFT HAND WINCH OPPOSITE

| COATINGS   | RH WINCH PART No. | LH WINCH PART No. |
|------------|-------------------|-------------------|
| GALVANIZED | 83393             | 83392             |

| MODEL No. | PART No.                | A      | B      | C      | D       | E       | ØF     | G      | ØH     | WT. (Kg) |
|-----------|-------------------------|--------|--------|--------|---------|---------|--------|--------|--------|----------|
| DF-1-40   | REFER TO COATINGS TABLE | 591 mm | 511 mm | 610 mm | 1172 mm | 1778 mm | 324 mm | 286 mm | 483 mm | 817      |

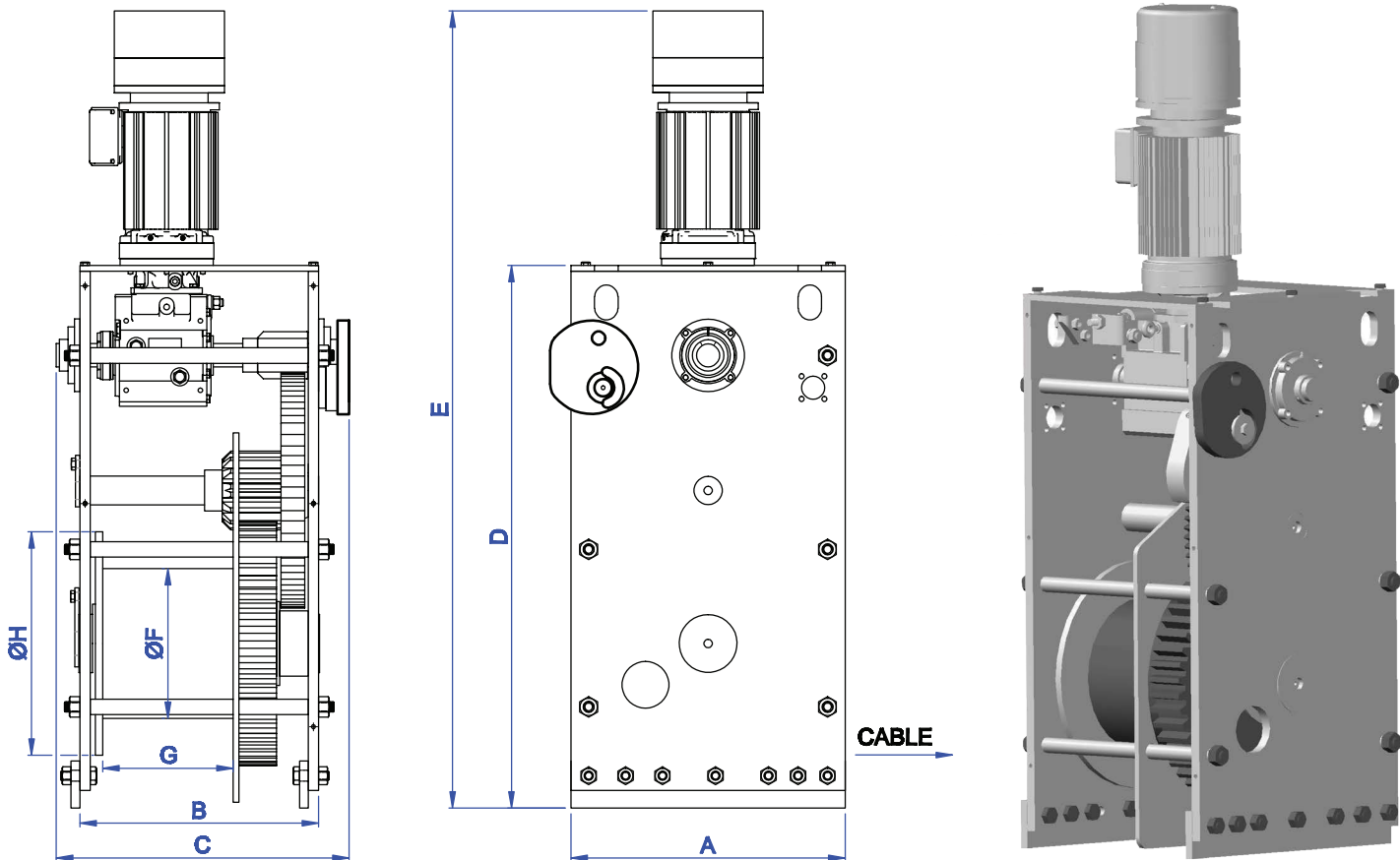
## 40 TON UPRIGHT ELECTRIC WINCH

**Nabrico Products**  
[www.nabrico-marine.com](http://www.nabrico-marine.com)

1250 Gateway Drive  
Gallatin, Tennessee 37066  
615-442-1300



# NABRICO



RIGHT HAND WINCH SHOWN  
LEFT HAND WINCH OPPOSITE

| COATINGS   | RH WINCH PART No. | LH WINCH PART No. |
|------------|-------------------|-------------------|
| GALVANIZED | 83395             | 83394             |

| MODEL No. | PART No.                | A      | B      | C      | D       | E       | ØF     | G      | ØH     | WT. (Kg) |
|-----------|-------------------------|--------|--------|--------|---------|---------|--------|--------|--------|----------|
| DF-1-65   | REFER TO COATINGS TABLE | 762 mm | 587 mm | 686 mm | 1410 mm | 2057 mm | 356 mm | 270 mm | 610 mm | 1452     |

## 65 TON UPRIGHT ELECTRIC WINCH

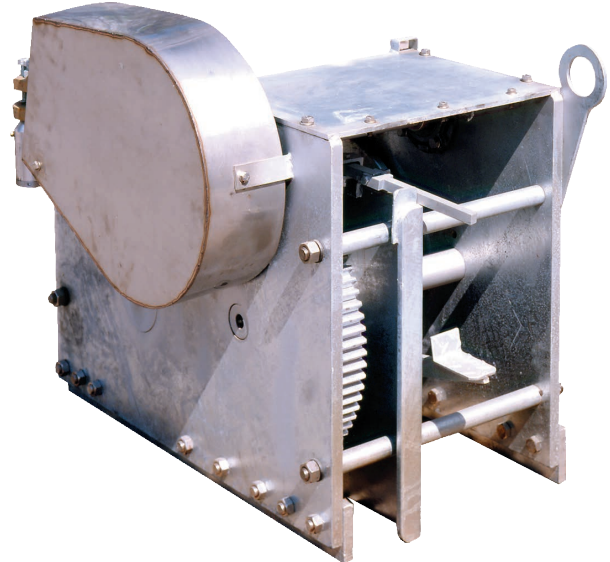
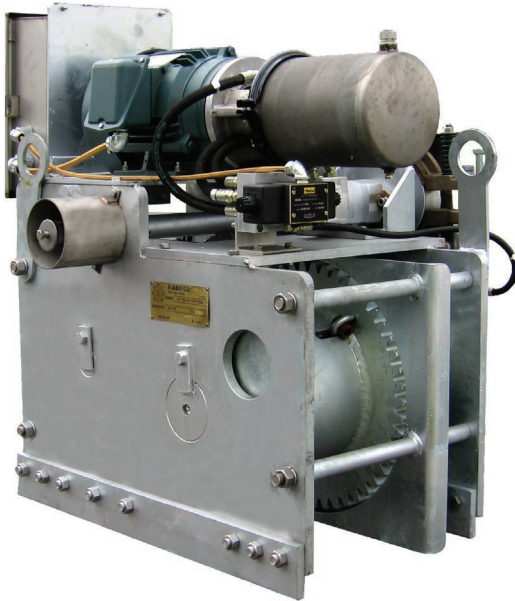
**Nabrico Products**  
[www.nabrico-marine.com](http://www.nabrico-marine.com)

1250 Gateway Drive  
Gallatin, Tennessee 37066  
615-442-1300





# NABRICO



- SELF-CONTAINED HYDRAULIC / ELECTRIC POWER UNIT WITH STAINLESS STEEL TANK.
- WINCH OPERATION CAN ALSO BE ACHIEVED BY CUSTOMER SUPPLIED HYDRAULIC POWER OR REMOTE MOUNTED POWER SUPPLY.
- FAIL-SAFE BRAKE.
- MECHANICAL DOG FOR EMERGENCY MANUAL OPERATION.
- HOT-DIPPED GALVANIZED STANDARD.
- FREE WHEELING FEATURE TO ALLOW FASTER CABLE PULL-OUT.
- STAINLESS STEEL COMPONENTS: CONTROL BOX, GUARDS, TANKS, AND FASTENERS.
- FULLY SYNTHETIC BIODEGRADABLE HYDRAULIC FLUID.
- TRUE LEFT OR RIGHT HAND MODELS FOR USE IN PAIRS.
- HYDRAULIC SYSTEM PREVENTS POWER SPIKES.

| MODEL No.       | HOLDING DOG &/OR BRAKE | LINE PULL @ FIRST LAYER |                      |                    | DRUM CAPACITIES (M) |       |       |       | LINE SPEED | WEIGHT | DIMENSIONAL DATA |         |         |
|-----------------|------------------------|-------------------------|----------------------|--------------------|---------------------|-------|-------|-------|------------|--------|------------------|---------|---------|
|                 |                        | M. TONS                 | HYDRA ELECTRIC RATED | HYDRA ELECTRIC MAX | HANDWHEEL ONE MAN   | 16 mm | 19 mm | 22 mm |            |        | 25 mm            | MPM     | KG      |
| DF-156-10-6-HE  | 9                      | 1031 kg @ 57 bar        | 1429 kg @ 77 bar     | 3175               | 53                  | 39    | -     | -     | 7          | 407    | 262 mm           | 572 mm  | 1076 mm |
| DF-156-20-7-HE  | 18                     | 4256 kg @ 78 bar        | 5307 kg @ 95 bar     | 6350               | 33                  | 17    | 12    | 6     | 5          | 582    | 394 mm           | 762 mm  | 1041 mm |
| DF-156-40-11-HE | 36                     | 7808 kg @ 117 bar       | 8165 kg @ 124 bar    | 6804               | 88                  | 54    | 40    | 26    | 4          | 875    | 511 mm           | 914 mm  | 1016 mm |
| DF-156-60-11-HE | 54                     | 14411 kg @ 138 bar      | 15186 kg @ 145 bar   | 10886              | 174                 | 99    | 80    | 61    | 3          | 1463   | 587 mm           | 1191 mm | 1295 mm |

## HYDRA-ELECTRIC WINCH

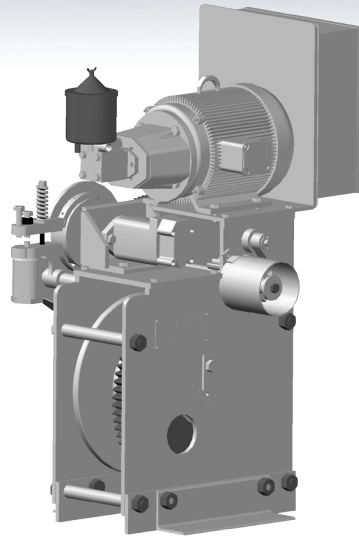
**Nabrico Products**  
[www.nabrico-marine.com](http://www.nabrico-marine.com)

1250 Gateway Drive  
 Gallatin, Tennessee 37066  
 615-442-1300

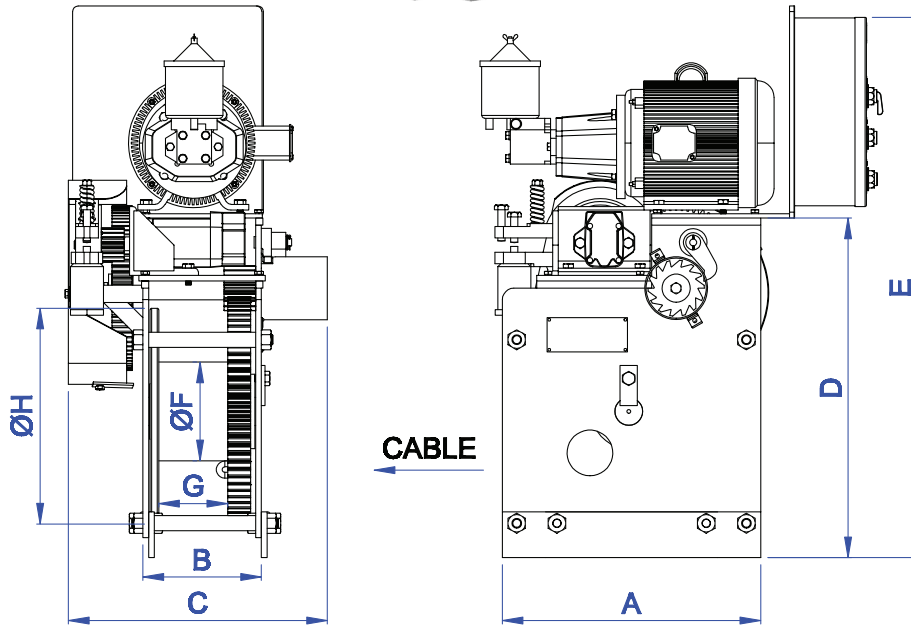




# NABRICO



LEFT HAND WINCH SHOWN  
RIGHT HAND WINCH OPPOSITE



| COATINGS   | RH WINCH PART No. | LH WINCH PART No. |
|------------|-------------------|-------------------|
| GALVANIZED | 72478             | 72486             |

| MODEL No. | PART No.                | A      | B      | C      | D      | E       | ØF     | G      | ØH     | WT. (Kg) |
|-----------|-------------------------|--------|--------|--------|--------|---------|--------|--------|--------|----------|
| DF-156-10 | REFER TO COATINGS TABLE | 572 mm | 264 mm | 635 mm | 622 mm | 1016 mm | 219 mm | 153 mm | 457 mm | 409      |

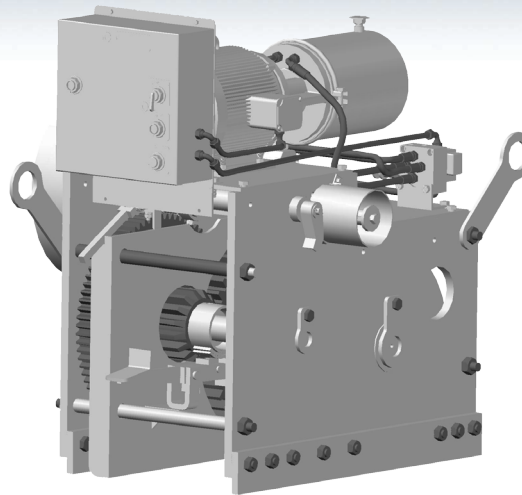
## 10 TON HYDRA-ELECTRIC WINCH

**Nabrico Products**  
[www.nabrico-marine.com](http://www.nabrico-marine.com)

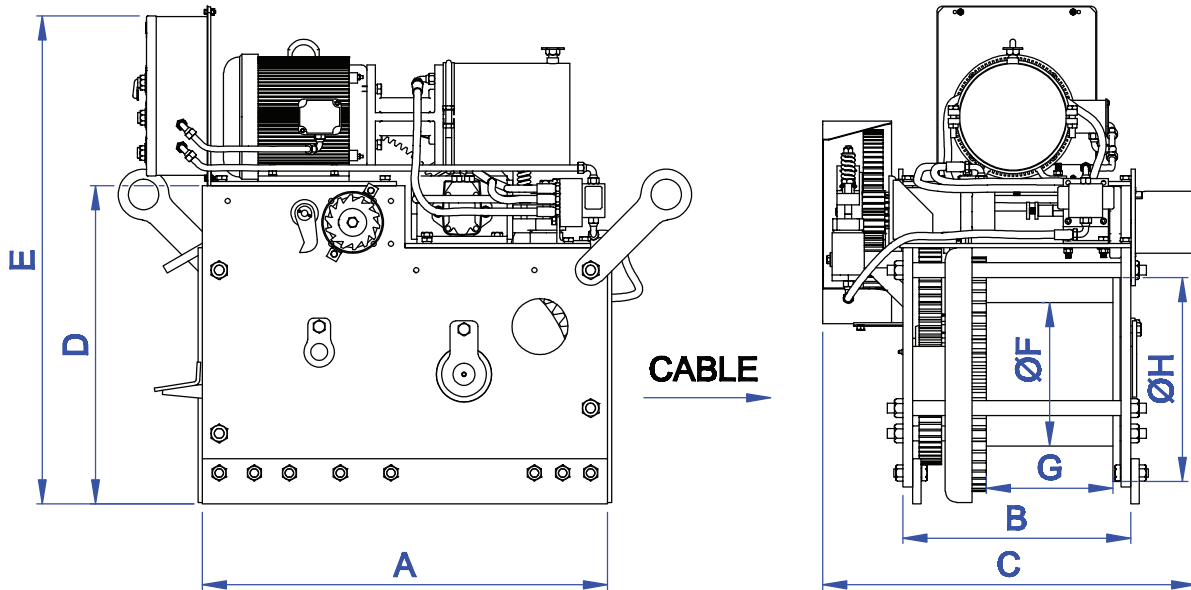
1250 Gateway Drive  
Gallatin, Tennessee 37066  
615-442-1300



# NABRICO



RIGHT HAND WINCH SHOWN  
LEFT HAND WINCH OPPOSITE



| COATINGS   | RH WINCH PART No. | LH WINCH PART No. |
|------------|-------------------|-------------------|
| GALVANIZED | 87850             | 87599             |

| MODEL No. | PART No.                | A      | B      | C      | D      | E       | ØF     | G      | ØH     | WT. (Kg) |
|-----------|-------------------------|--------|--------|--------|--------|---------|--------|--------|--------|----------|
| DF-156-20 | REFER TO COATINGS TABLE | 762 mm | 387 mm | 699 mm | 711 mm | 1041 mm | 273 mm | 184 mm | 406 mm | 590      |

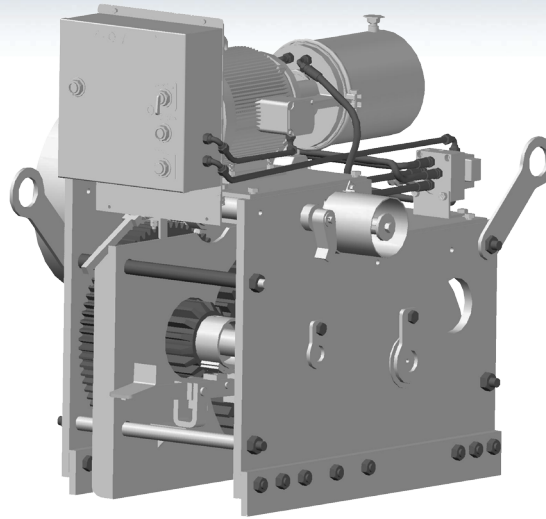
## 20 TON HYDRA-ELECTRIC WINCH

**Nabrico Products**  
[www.nabrico-marine.com](http://www.nabrico-marine.com)

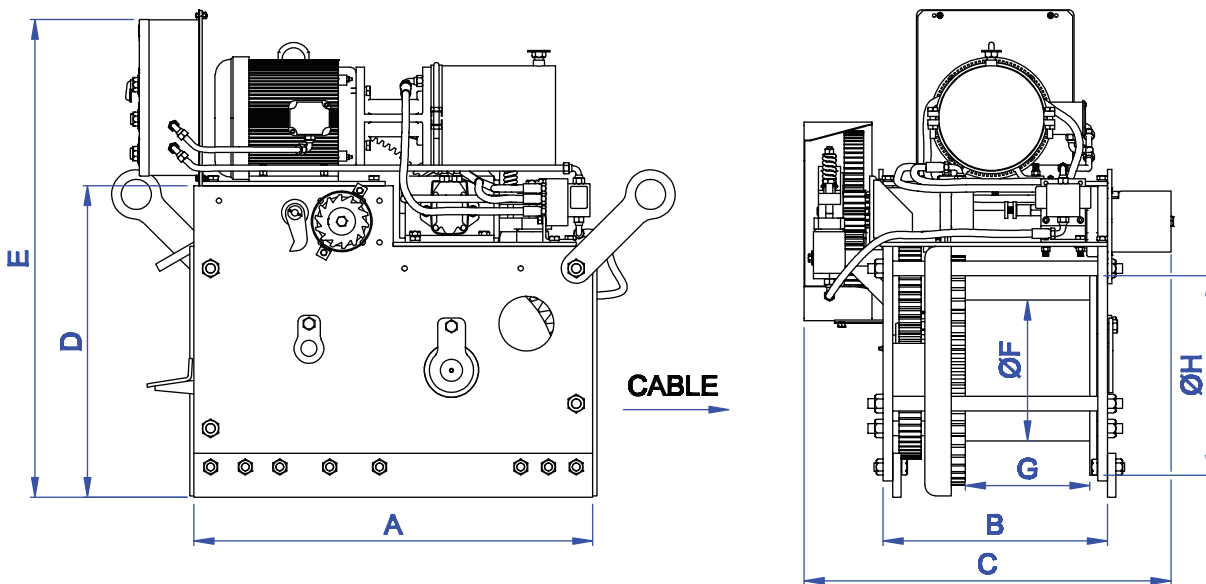
1250 Gateway Drive  
Gallatin, Tennessee 37066  
615-442-1300



# NABRICO



RIGHT HAND WINCH SHOWN  
LEFT HAND WINCH OPPOSITE



| COATINGS   | RH WINCH PART No. | LH WINCH PART No. |
|------------|-------------------|-------------------|
| GALVANIZED | 87297             | 87300             |

| MODEL No. | PART No.                | A      | B      | C      | D      | E       | ØF     | G      | ØH     | WT. (Kg) |
|-----------|-------------------------|--------|--------|--------|--------|---------|--------|--------|--------|----------|
| DF-156-40 | REFER TO COATINGS TABLE | 914 mm | 514 mm | 838 mm | 724 mm | 1118 mm | 324 mm | 286 mm | 483 mm | 953      |

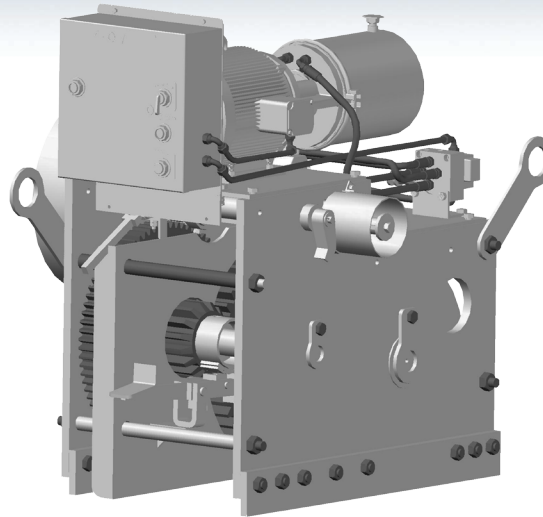
## 40 TON HYDRA-ELECTRIC WINCH

**Nabrico Products**  
[www.nabrico-marine.com](http://www.nabrico-marine.com)

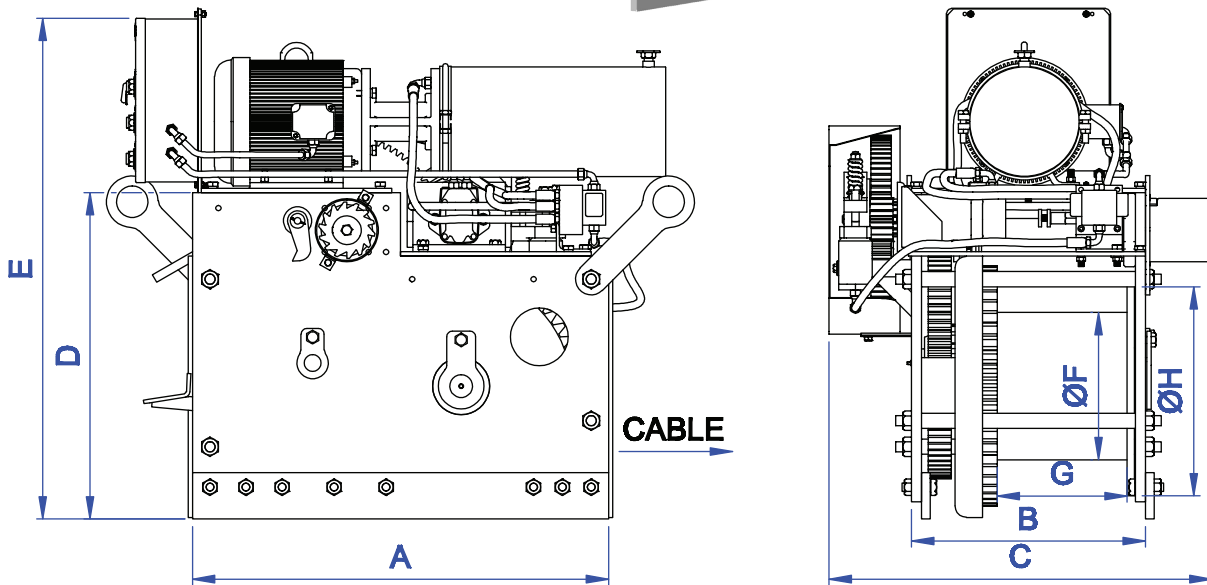
1250 Gateway Drive  
Gallatin, Tennessee 37066  
615-442-1300



# NABRICO



RIGHT HAND WINCH SHOWN  
LEFT HAND WINCH OPPOSITE



| COATINGS   | RH WINCH PART No. | LH WINCH PART No. |
|------------|-------------------|-------------------|
| GALVANIZED | 87726             | 87734             |

| MODEL No. | PART No.                | A       | B      | C      | D      | E       | ØF     | G      | ØH     | WT. (Kg) |
|-----------|-------------------------|---------|--------|--------|--------|---------|--------|--------|--------|----------|
| DF-156-60 | REFER TO COATINGS TABLE | 1194 mm | 591 mm | 914 mm | 921 mm | 1321 mm | 356 mm | 270 mm | 610 mm | 1588     |

## 60 TON HYDRA-ELECTRIC WINCH

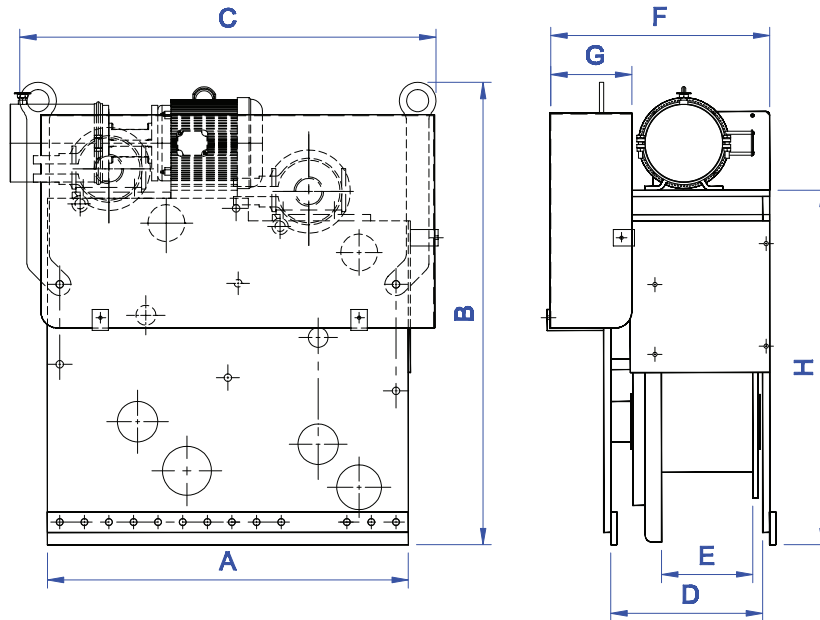
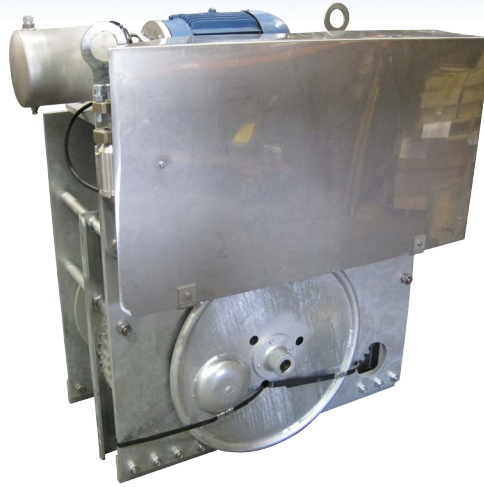
**Nabrico Products**  
[www.nabrico-marine.com](http://www.nabrico-marine.com)

1250 Gateway Drive  
Gallatin, Tennessee 37066  
615-442-1300





# NABRICO



| COATINGS   | RH WINCH PART No. | LH WINCH PART No. |
|------------|-------------------|-------------------|
| GALVANIZED | 84023             | 84022             |

| MODEL No.       | PART No.               | A       | B       | C       | D      | E      | F      | G      | H       | WT. (Kg) |
|-----------------|------------------------|---------|---------|---------|--------|--------|--------|--------|---------|----------|
| DF-156-40-DD-HE | REFER TO COATING TABLE | 1118 mm | 1432 mm | 1289 mm | 470 mm | 283 mm | 676 mm | 251 mm | 1099 mm | 1406     |

## 40 TON DOUBLE DRUM WINCH

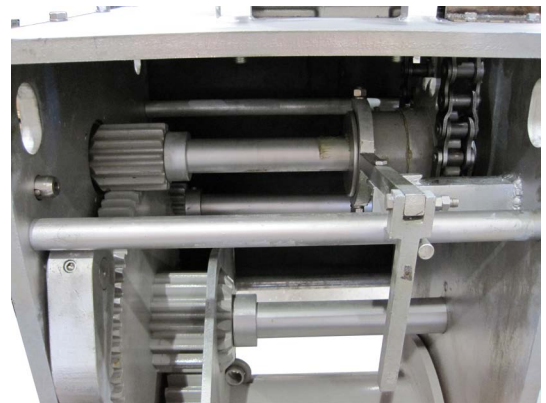
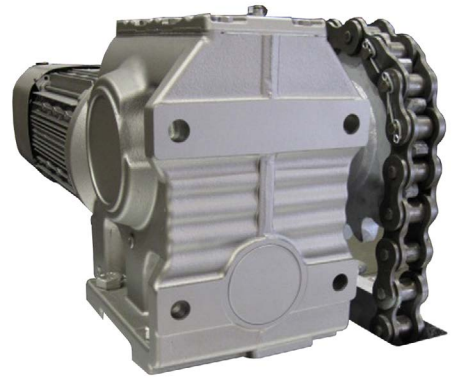
**Nabrico Products**  
[www.nabrico-marine.com](http://www.nabrico-marine.com)

1250 Gateway Drive  
 Gallatin, Tennessee 37066  
 615-442-1300





# NABRICO



NABRICO's DF-1 Electric Spud winch has the same proven design as our DF-1 electric winch with some added features to handle the demands of a spud barge. A handwheel has been added to the winch for operation in the situations when the winch may not have power. In order to expedite lowering of the spud, a manual clutch has been installed along with a hand operated disc brake. This winch is available in our 36 and 54 metric ton styles. When ordering this winch, please specify length of spud travel, line speed, and line pull required.

## SPUD WINCH

**Nabrico Products**  
[www.nabrico-marine.com](http://www.nabrico-marine.com)

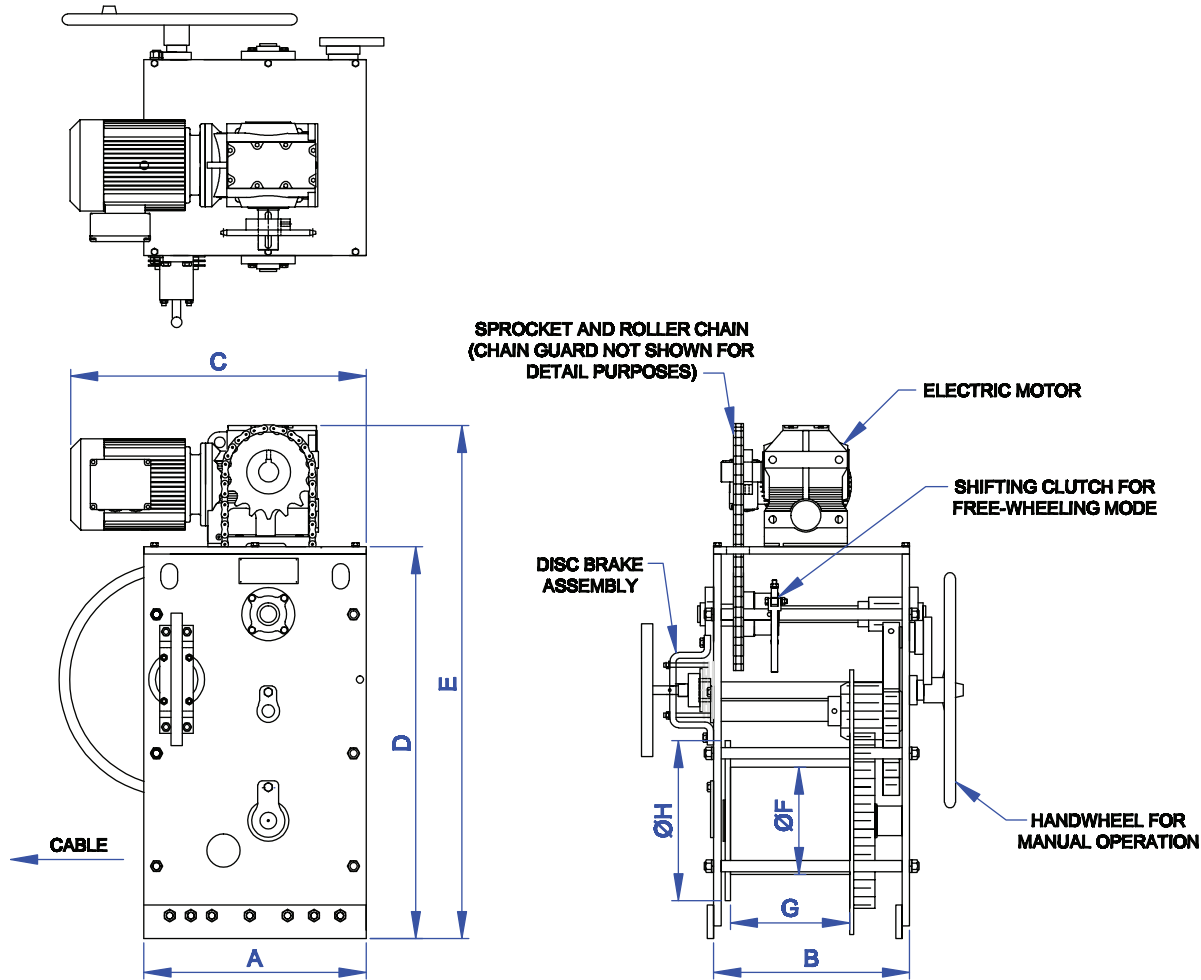
13

1250 Gateway Drive  
Gallatin, Tennessee 37066  
615-442-1300

The specifications and details described by drawings or text in this literature are subject to change without notice.



# NABRICO



RIGHT HAND WINCH SHOWN  
LEFT HAND WINCH OPPOSITE

| COATINGS   | RH WINCH PART No. | LH WINCH PART No. |
|------------|-------------------|-------------------|
| GALVANIZED | 84023             | 84022             |

| MODEL No. | PART No.                | A      | B      | C      | D       | E       | ØF     | G      | ØH     | WT. (Kg) |
|-----------|-------------------------|--------|--------|--------|---------|---------|--------|--------|--------|----------|
| DF-1-40   | REFER TO COATINGS TABLE | 670 mm | 587 mm | 864 mm | 1181 mm | 1549 mm | 324 mm | 359 mm | 483 mm | 953      |

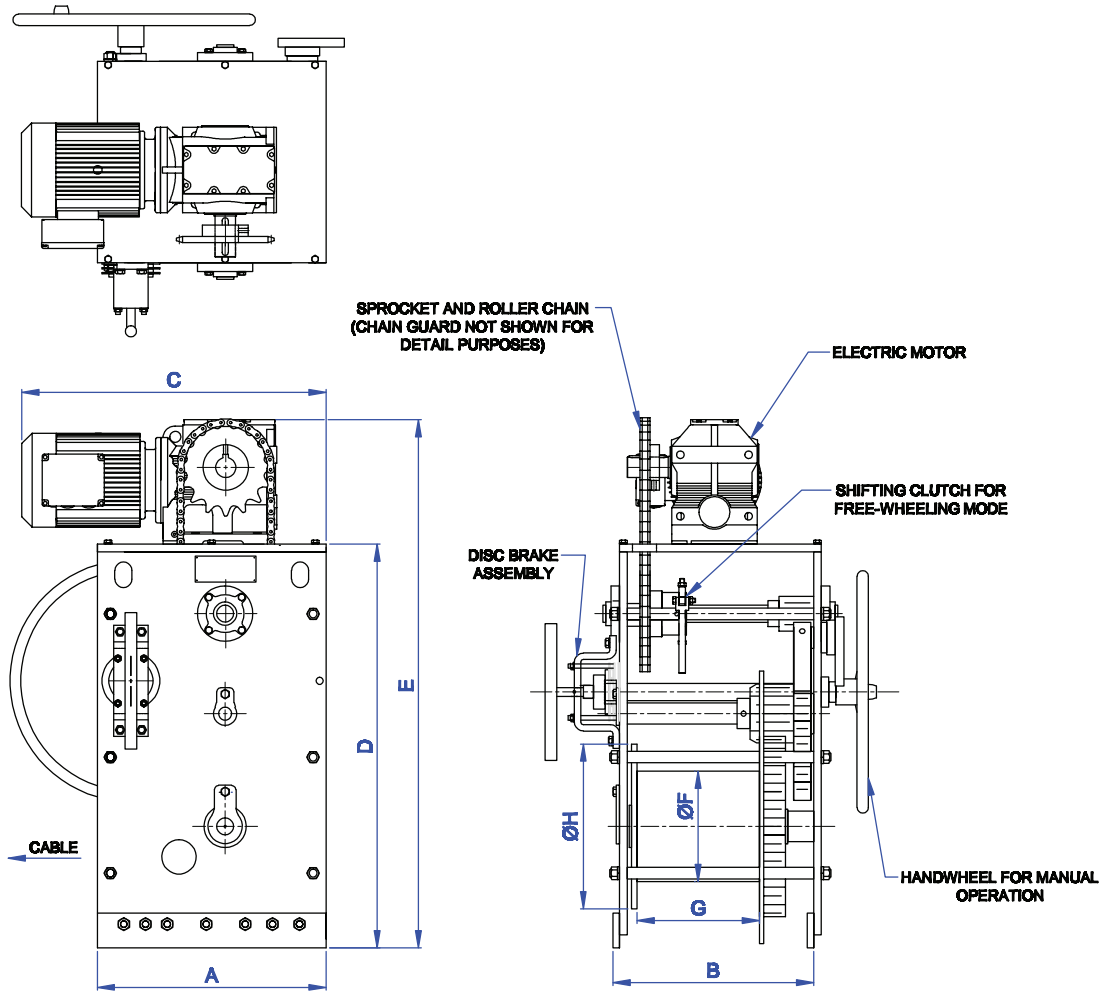
## 40 TON UPRIGHT SPUD WINCH

**Nabrico Products**  
[www.nabrico-marine.com](http://www.nabrico-marine.com)

1250 Gateway Drive  
Gallatin, Tennessee 37066  
615-442-1300



# NABRICO



RIGHT HAND WINCH SHOWN  
LEFT HAND WINCH OPPOSITE

| COATINGS   | RH WINCH PART No. | LH WINCH PART No. |
|------------|-------------------|-------------------|
| GALVANIZED | 83403             | 83402             |

| MODEL No. | PART No.                | A      | B      | C      | D       | E       | ØF     | G      | ØH     | WT. (Kg) |
|-----------|-------------------------|--------|--------|--------|---------|---------|--------|--------|--------|----------|
| DF-1-65   | REFER TO COATINGS TABLE | 813 mm | 664 mm | 978 mm | 1422 mm | 1791 mm | 356 mm | 346 mm | 610 mm | 1270     |

## 65 TON UPRIGHT SPUD WINCH

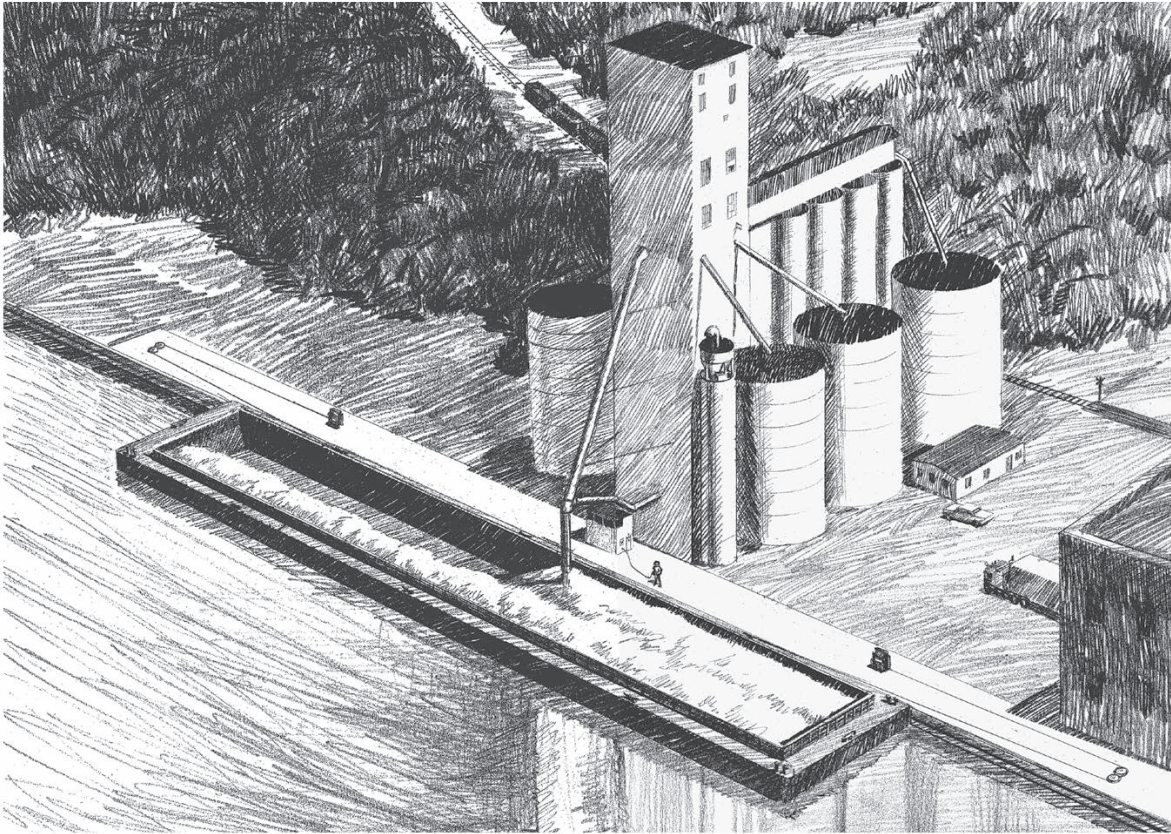
**Nabrico Products**  
[www.nabrico-marine.com](http://www.nabrico-marine.com)

1250 Gateway Drive  
Gallatin, Tennessee 37066  
615-442-1300





# NABRICO



NABRICO's all electric constant tension positioning winch system consists of two winches, two variable speed drives, variable speed motors, failsafe brakes, and PLC (programmable logic controls). These components have been engineered to allow one winch to be in a drive mode, pulling, while the other winch is in a torque mode, holding. When the object being positioned is at rest, both drives are in the torque mode, and the load holds its position on the dock, letting out cable during loading, and taking in cable during unloading. This also allows cable in and out as required during tide movement. The amount of torque/pull and speed on the cable is controlled by two potentiometers mounted on the control panel. The positioning winch system is capable of maintaining the full horsepower load at zero speed indefinitely. If there should be a loss of power or the emergency stop is pressed, the failsafe brakes hold the load.

## BARGE POSITIONING SYSTEM

**Nabrigo Products**  
[www.nabrigo-marine.com](http://www.nabrigo-marine.com)

16

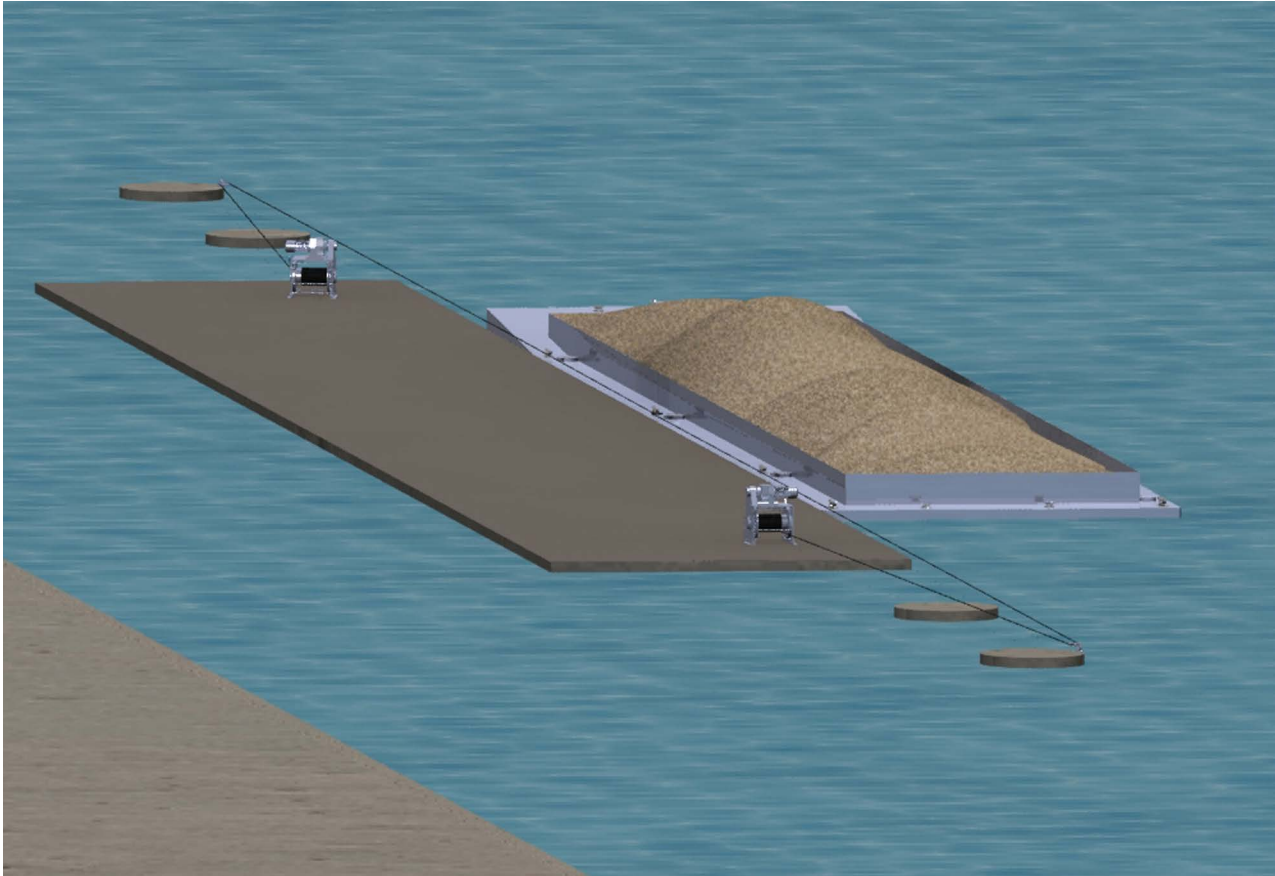
1250 Gateway Drive  
Gallatin, Tennessee 37066  
615-442-1300

The specifications and details described by drawings or text in this literature are subject to change without notice.





# NABRICO



NABRICO has utilized proven winch designs with the latest drive and touch screen technology. Adjustable ramps have been programmed into the system to minimize the shock on the cable and hardware associated with starting and stopping. For additional information, drawings, and specifications contact NABRICO.

NABRICO pioneered the positioning winch system. In addition to the standard model, the system is available in a larger 37 kilowatt model and in a smaller 7 kilowatt model. Using various motor and gearbox combinations, the line pull and speed can be changed since the basic engineering in the panel and winch remain the same. The positioning winch has industrial, marine, and rail applications. The winch can produce a full kilowatt load at zero speed indefinitely. If there should be a loss of power or the emergency stop is pressed, the failsafe brakes hold the load.

## BARGE POSITIONING SYSTEM

**Nabrigo Products**  
[www.nabrigo-marine.com](http://www.nabrigo-marine.com)

17

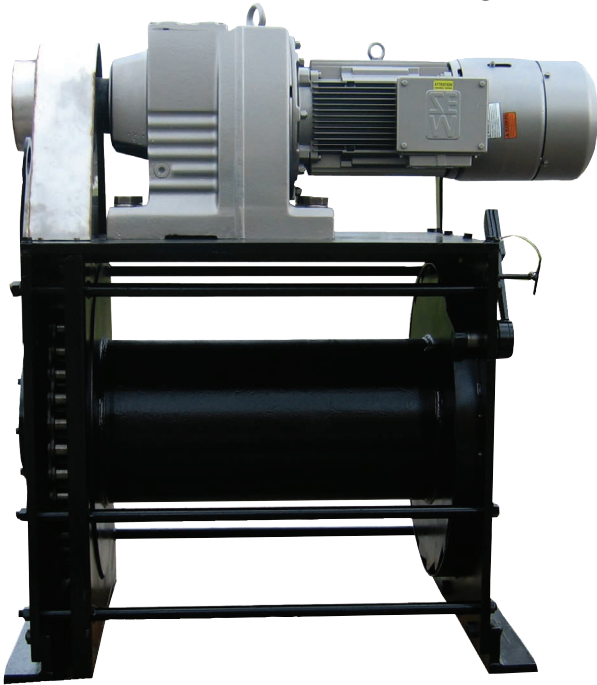
1250 Gateway Drive  
Gallatin, Tennessee 37066  
615-442-1300

The specifications and details described by drawings or text in this literature are subject to change without notice.



# NABRICO

914 MM Chain Drive Positioning Winch



Control Cabinet for Winches

**NABRICO's** most technologically advanced winches, backed by more than a century of recognizing and meeting the needs of the towing and transportation industries, provide an infinite number of line pulls and line speeds. The standard model has a starting capacity of 10,886 kgs., with 7,258 kgs. of constant tension at 9 mpm. Drum capacity is substantial, varying from 175 to 405 meters. Accessible, clearly marked controls are available in a wireless, wired remote, or local configuration.



| CABLE CAPACITY |                   |                   | LINE SPEED  | LINE PULL  |
|----------------|-------------------|-------------------|---|--|
| CABLE SIZE     | 610 MM DRUM WIDTH | 914 MM DRUM WIDTH |   |  |
| 19 mm          | 267 m             | 405 m             | STANDARD: INFINITELY VARIABLE FROM 0-9 MPM.<br><br>CUSTOM APPLICATION UP TO 30 MPM. | STANDARD INFINITELY VARIABLE LINE PULL 21,772 KG AT MOTOR STALL; 10,886 KG STARTING AND 7,257 KG CONTINUOUS.<br><br>CUSTOM APPLICATIONS ARE AVAILABLE. |
| 22 mm          | 234 m             | 1165 m            |   |  |
| 25 mm          | 209 m             | 1043 m            |   |  |
| 30 mm          | 190 m             | 948 m             |   |  |
| 32 mm          | 174 m             | 872 m             |   |  |

NOTE: THE CAPACITIES GIVEN ABOVE ARE BASED ON UNIFORM ROPE WINDING TO FIVE (5) LAYERS. TENSION APPLIED DURING SPOOLING WILL ALSO AFFECT THE LENGTH.

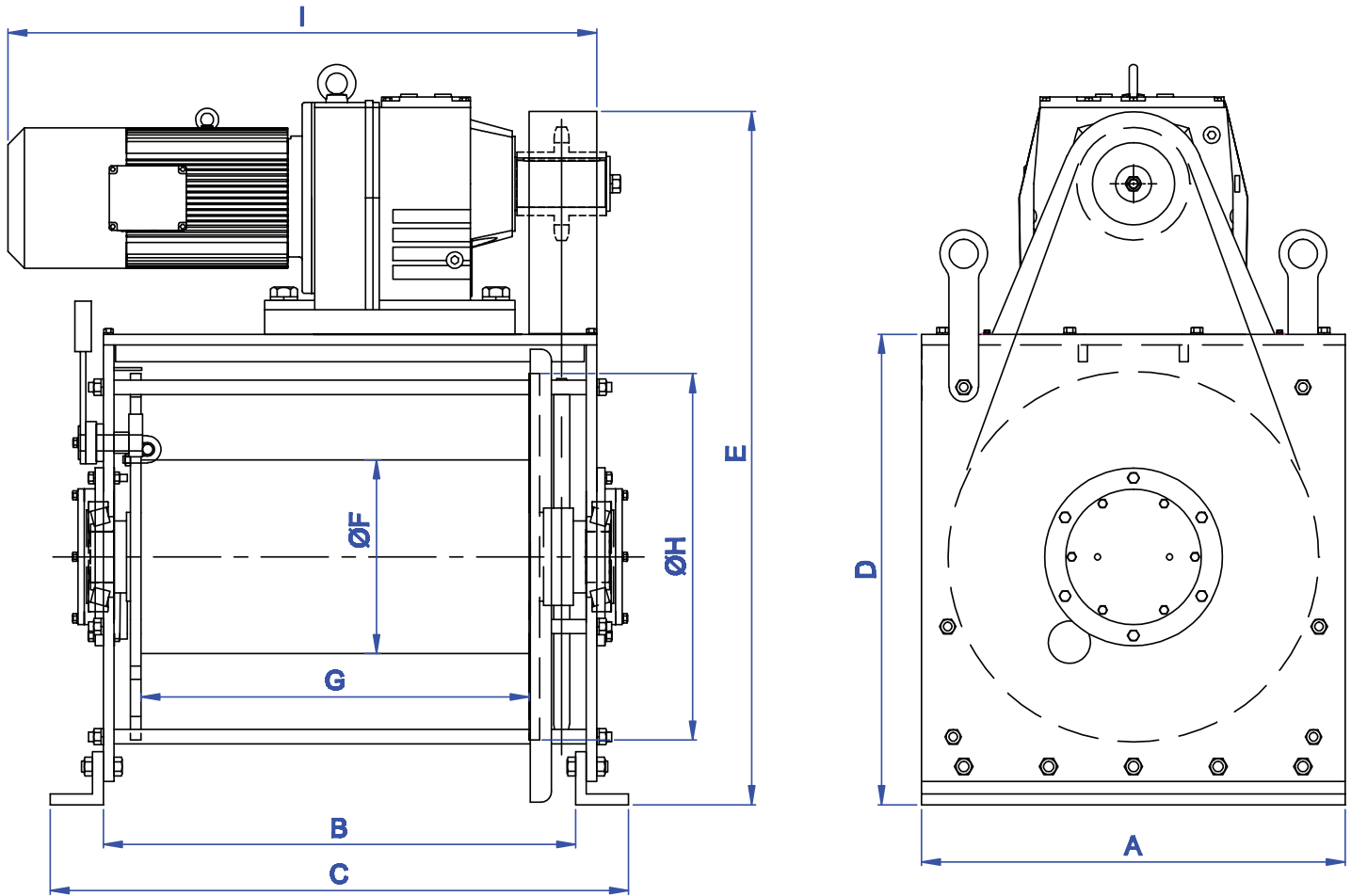
## BARGE POSITIONING SYSTEM

**Nabrico Products**  
[www.nabrico-marine.com](http://www.nabrico-marine.com)

1250 Gateway Drive  
 Gallatin, Tennessee 37066  
 615-442-1300



# NABRICO



| MODEL No.    | PART No. | A      | B      | C      | D      | E       | ØF     | G      | ØH     | I      | WT. (Kg) |
|--------------|----------|--------|--------|--------|--------|---------|--------|--------|--------|--------|----------|
| DF-CD-BMW-18 | 40031    | 813 mm | 670 mm | 918 mm | 880 mm | 1375 mm | 356 mm | 457 mm | 762 mm | 978 mm | 1361     |

## BARGE POSITIONING WINCH (18" DRUM)

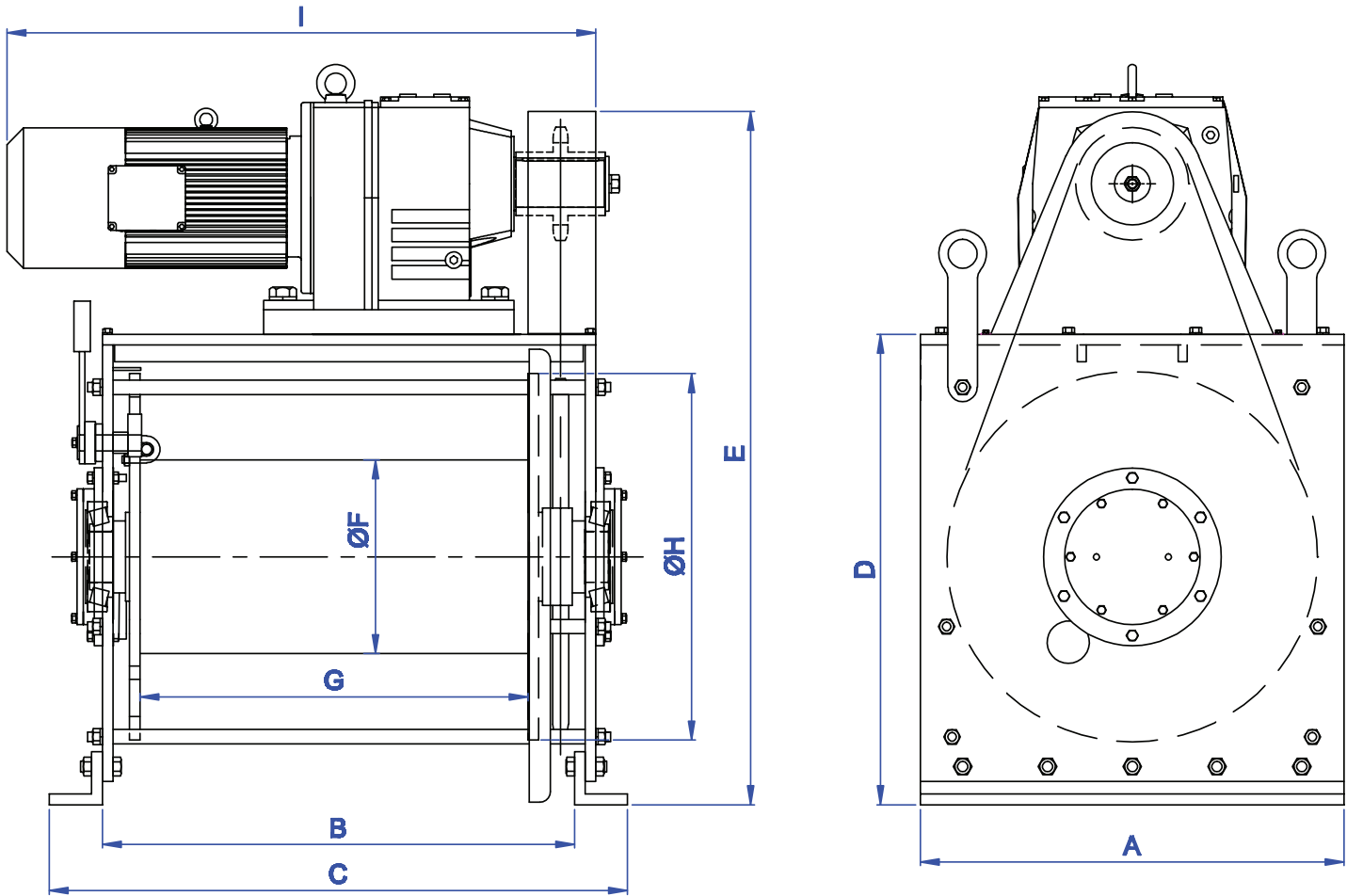
**Nabrico Products**  
[www.nabrico-marine.com](http://www.nabrico-marine.com)

1250 Gateway Drive  
 Gallatin, Tennessee 37066  
 615-442-1300





# NABRICO



| MODEL No.    | PART No. | A       | B      | C       | D       | E       | ØF     | G      | ØH     | I      | WT. (Kg) |
|--------------|----------|---------|--------|---------|---------|---------|--------|--------|--------|--------|----------|
| DF-CD-BMW-24 | 40033    | 1000 mm | 810 mm | 1059 mm | 1111 mm | 1597 mm | 457 mm | 610 mm | 864 mm | 978 mm | 1814     |

## BARGE POSITIONING WINCH (24" DRUM)

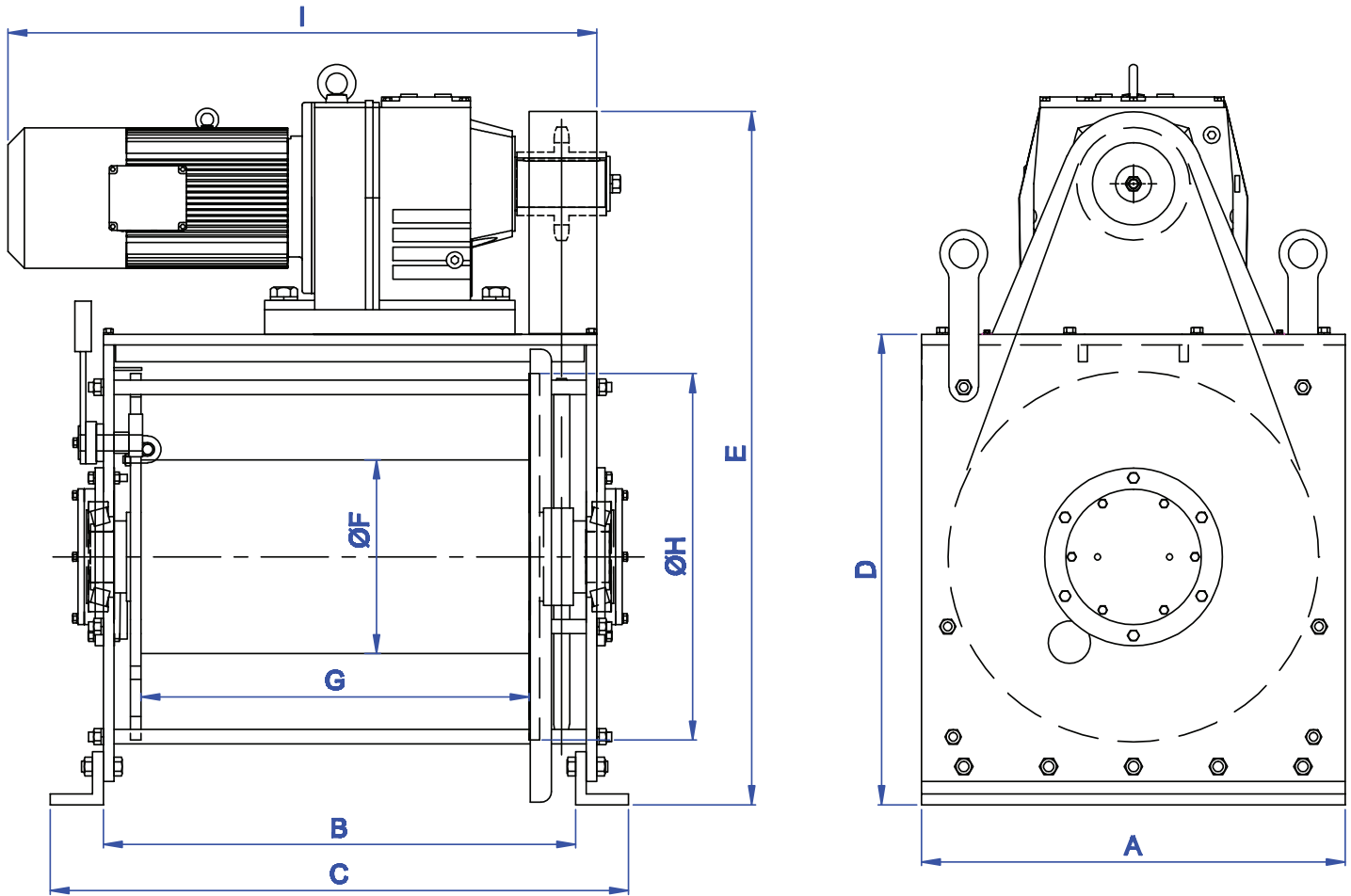
**Nabrico Products**  
[www.nabrico-marine.com](http://www.nabrico-marine.com)

1250 Gateway Drive  
 Gallatin, Tennessee 37066  
 615-442-1300





# NABRICO



| MODEL No.    | PART No. | A       | B       | C       | D       | E       | ØF     | G      | ØH     | I       | WT. (Kg) |
|--------------|----------|---------|---------|---------|---------|---------|--------|--------|--------|---------|----------|
| DF-CD-BMW-36 | 40038    | 1000 mm | 1114 mm | 1364 mm | 1111 mm | 1670 mm | 457 mm | 914 mm | 864 mm | 1464 mm | 2041     |

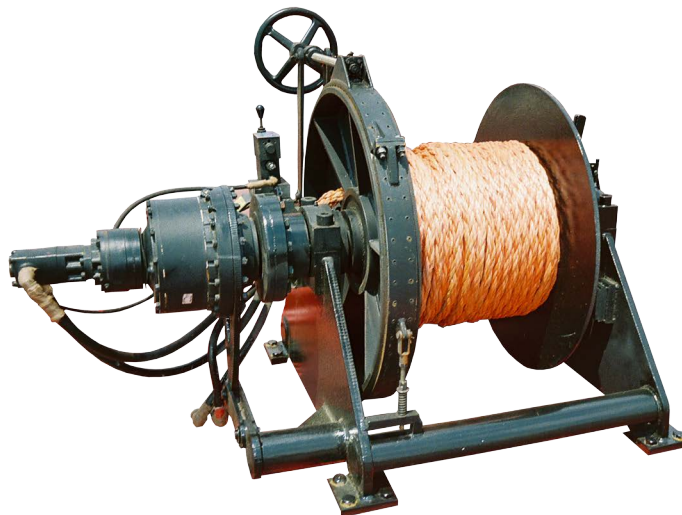
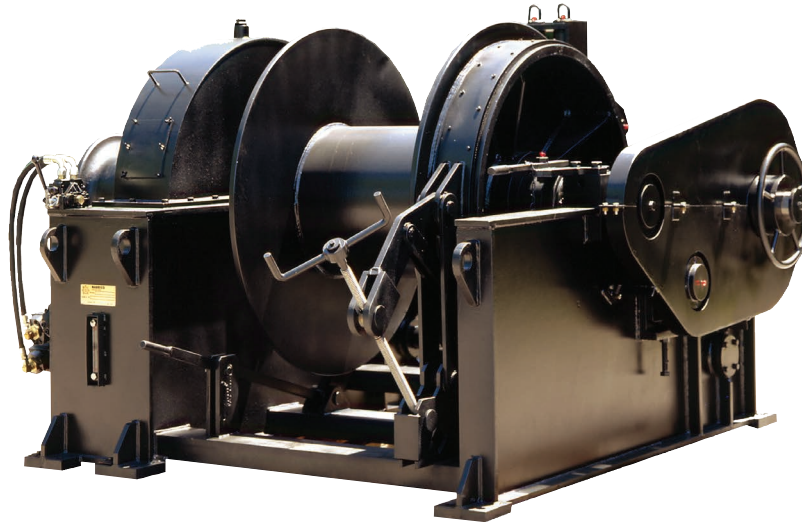
## BARGE POSITIONING WINCH (36" DRUM)

**Nabrico Products**  
[www.nabrico-marine.com](http://www.nabrico-marine.com)

1250 Gateway Drive  
 Gallatin, Tennessee 37066  
 615-442-1300



# NABRICO



NABRICO is a full line supplier of electric and hydraulic anchor winches, mooring winches, and windlasses. We will custom fit each anchor winch, mooring winch, or windlass to your specific application to ensure the best possible configuration. Our winches can be fitted with warping heads and level winds along with many of our other standard features such as a locking dog, drum band brake, and a three coat zinc and epoxy paint system. NABRICO's hydraulic anchor winches can also be equipped with an electric auxiliary power source to operate the winch in case of a hydraulic failure. Please contact NABRICO for a quote specified to meet your requirements.

## ANCHOR WINCHES

**Nabrigo Products**  
[www.nabrigo-marine.com](http://www.nabrigo-marine.com)

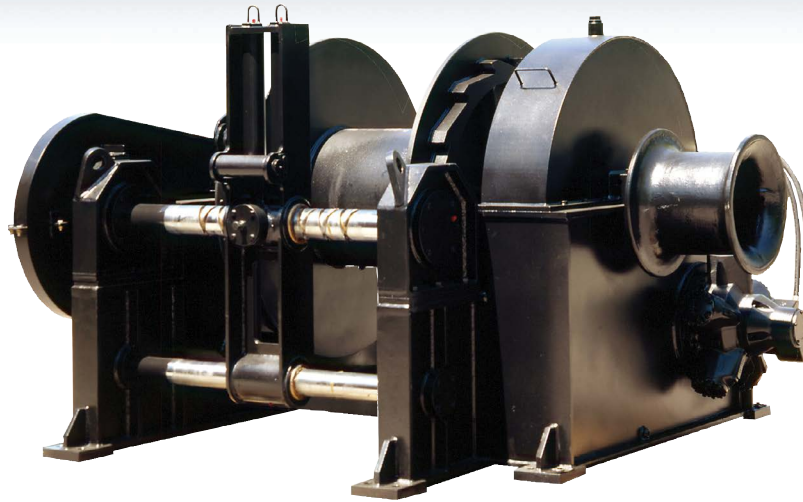
22

1250 Gateway Drive  
Gallatin, Tennessee 37066  
615-442-1300

The specifications and details described by drawings or text in this literature are subject to change without notice.



# NABRICO



**SPECIFY THE FOLLOWING INFORMATION TO DETERMINE THE SIZE AND SPEED OF YOUR ANCHOR WINCH:**

**CABLE SIZE** \_\_\_\_\_  
**DRUM CAPACITY** \_\_\_\_\_  
**LINE PULL (FIRST LAYER)** \_\_\_\_\_  
**LINE SPEED** \_\_\_\_\_  
**MOTOR TYPE** \_\_\_\_\_  
**# OF GYPSY HEADS** \_\_\_\_\_  
**GYPSY HEAD SIZE** \_\_\_\_\_

**MODEL SHOWN**

|                                |                     |
|--------------------------------|---------------------|
| <b>MODEL</b>                   | DF-AW-1200-30-2/16H |
| <b>CABLE SIZE</b>              | 48 mm               |
| <b>DRUM CAPACITY</b>           | 366 m               |
| <b>LINE PULL (FIRST LAYER)</b> | 11,340 Kg @ 166 BAR |
| <b>LINE SPEED</b>              | 9 m                 |
| <b>MOTOR TYPE</b>              | HYDRAULIC           |
| <b># OF GYPSY HEADS</b>        | TWO                 |
| <b>GYPSY HEAD SIZE</b>         | 406 mm              |

- HYDRAULIC OR ELECTRIC MOTOR WITH FAIL SAFE MOTOR BRAKE.
- 4-WAY CONTROL VALVE MOUNTED AND PIPED ON THE WINCH.
- MANUALLY OPERATED BAND BRAKE WITH STAINLESS STEEL BRAKE AND STEEL HAND WHEEL.
- LEVER OPERATED MACHINED JAW CLUTCH.
- WIRE ROPE LEVEL WIND FOR UNIFORM LAY OF WIRE ON THE DRUM.
- RATCHET AND PAWL TYPE HOLDING DOG ON THE DRUM.
- FABRICATED STEEL CONSTRUCTION.
- THREE COAT ZINC AND EPOXY PAINT SYSTEM.
- ELECTRIC OR HYDRAULIC POWER.

- JAW CLUTCHED DRUM.
- SINGLE OR DOUBLE WARPING HEADS.
- HYDRAULIC MOTOR WITH FAIL SAFE MOTOR BRAKE.
- SPUR GEAR REDUCTION OPERATING IN OIL BATH.
- LEVEL WIND AVAILABLE.
- DRUM BAND BRAKE AND HOLDING DOG.
- DRUM CAPACITY AND LINE PULL TO MEET CUSTOMER REQUIREMENTS.
- OTHER SIZES AND FEATURES AVAILABLE.
- OTHER AVAILABLE OFFSHORE DECK MACHINERY: MOORING WINCHES, TOWING WINCHES, ANCHORS, CHAIN AND CAPSTANS.
- CONTACT NABRICO WITH YOUR SPECIFIC REQUIREMENTS.

## ANCHOR WINCHES

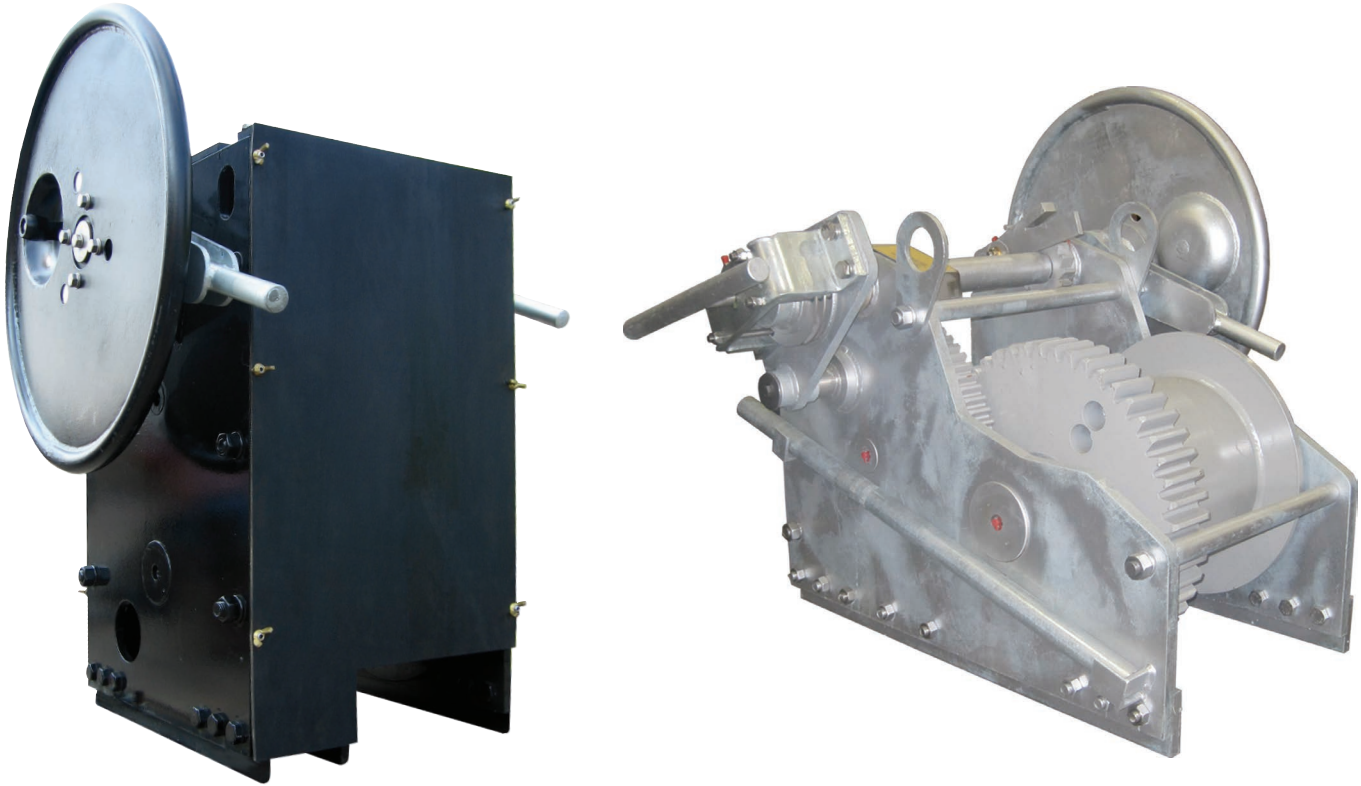
**Nabrigo Products**  
[www.nabrigo-marine.com](http://www.nabrigo-marine.com)

**1250 Gateway Drive**  
**Gallatin, Tennessee 37066**  
**615-442-1300**





# NABRICO



NABRICO provides the extra hands you need for fast and sure tow make-up and breakdown with a complete line of hand winches in both left and right hand models (except 2/5 ton winches). Our DF-3 winch features the same trusted parts as our DF-156 winch in a more compact design. NABRICO manual winches are available in 2, 5, 9, 18, 27, 36, and 54 metric ton holding capacities. NABRICO has a hand winch to meet the particular needs of your job or installation.

Match a NABRICO hand winch to your needs and available space and you're ready to go to work. For installation purposes, all dimensions should be verified.

## MANUAL WINCHES

Winches portrayed in drawings, photographs and copy are not designed for lifting or lowering persons or equipment.

**Nabrigo Products**  
[www.nabrigo-marine.com](http://www.nabrigo-marine.com)

**24**

1250 Gateway Drive  
Gallatin, Tennessee 37066  
615-442-1300

The specifications and details described by drawings or text in this literature are subject to change without notice.





# NABRICO



| MODEL No. | LINE PULL SLOW SPEED | LINE PULL FAST SPEED | SHOCK LOAD          | HAND BRAKE HOLDING OR DOG |
|-----------|----------------------|----------------------|---------------------|---------------------------|
| 2 Ton     | 1826                 | 1588                 | 1724 (1 meter drop) | 2722                      |
| 5 Ton     | 4536                 | 3856                 | 3742 (1 meter drop) | 6350                      |

**ALL ABOVE NUMBERS ARE KILOGRAMS**

| CABLE CAPACITY (FULL DRUM - METERS) |            |      |      |       |       |       |         |
|-------------------------------------|------------|------|------|-------|-------|-------|---------|
| MODEL No.                           | DRUM WIDTH | 6 mm | 8 mm | 10 mm | 11 mm | 13 mm | WT (Kg) |
| 2 Ton                               | 152        | 84   | 61   | 32    | 30    | 18    | 29      |
| 5 Ton                               | 152        |      |      | 91    | 61    | 52    | 53      |

## 2 AND 5 TON MANUAL WINCH

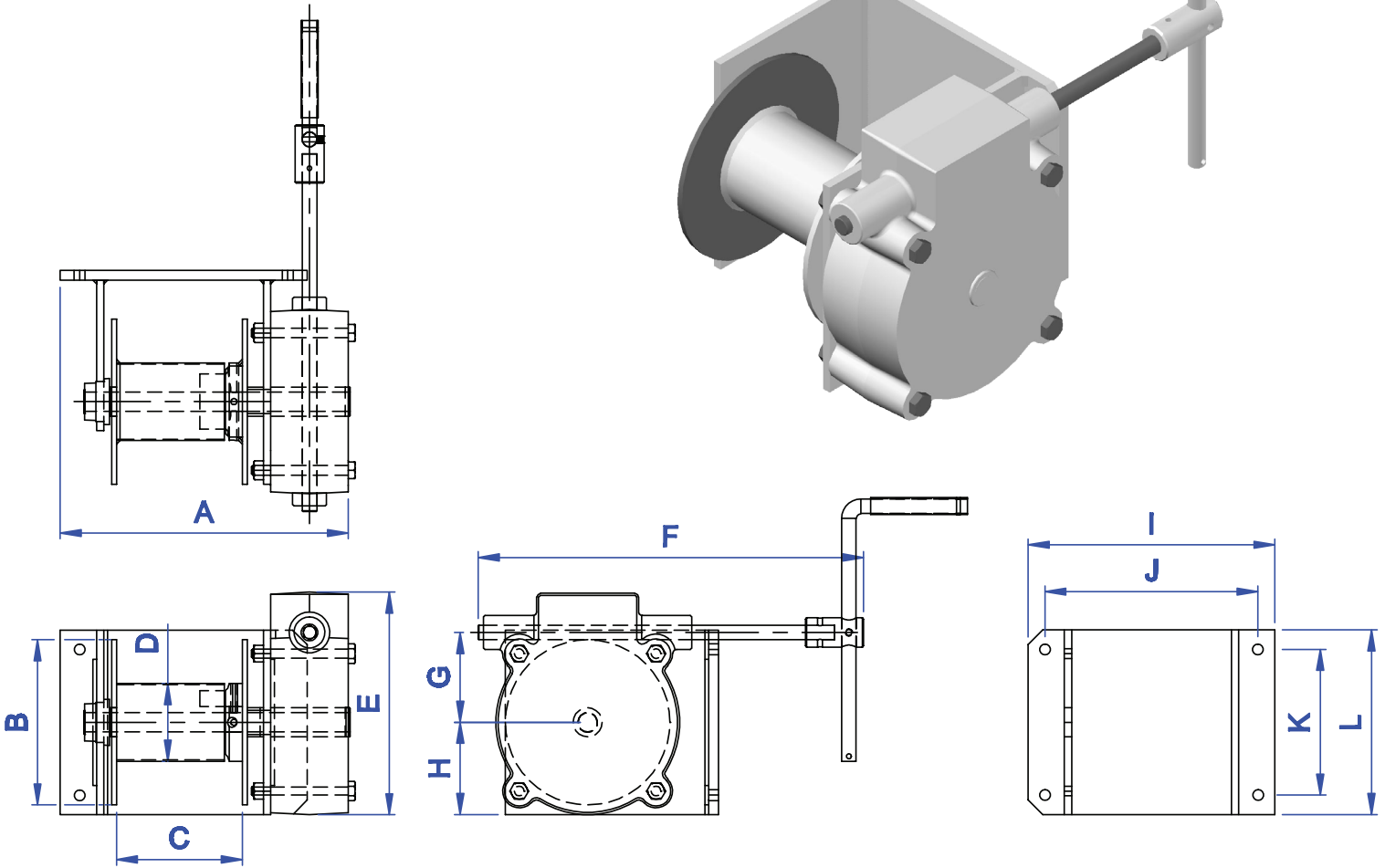
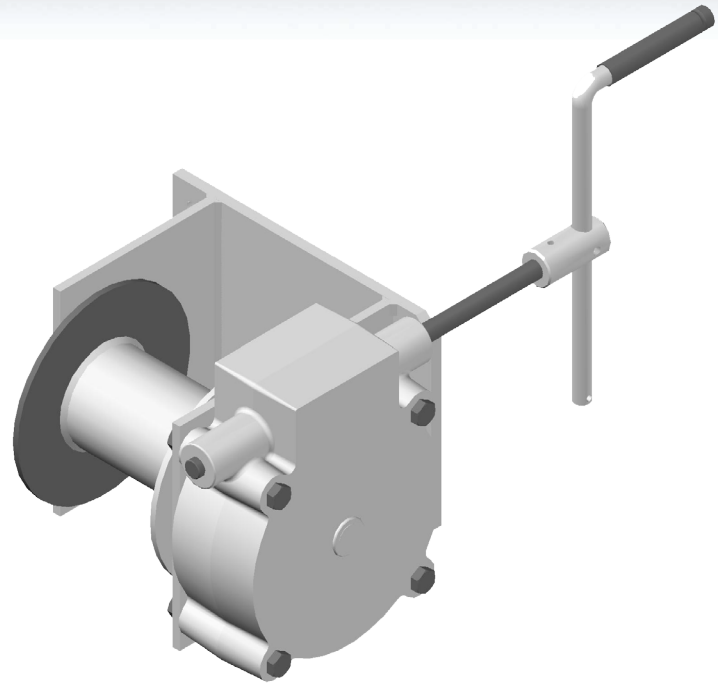
**Nabrico Products**  
[www.nabrico-marine.com](http://www.nabrico-marine.com)

1250 Gateway Drive  
 Gallatin, Tennessee 37066  
 615-442-1300

The specifications and details described by drawings or text in this literature are subject to change without notice.



# NABRICO



| MODEL No. | PART No. | A      | B      | C      | D      | E      | F      | G      | H      | I      | J      | K      | L      | WT. (Kg) |
|-----------|----------|--------|--------|--------|--------|--------|--------|--------|--------|--------|--------|--------|--------|----------|
| DF-7      | 15557    | 381 mm | 216 mm | 165 mm | 102 mm | 292 mm | 505 mm | 114 mm | 121 mm | 324 mm | 279 mm | 191 mm | 241 mm | 54       |

## 2 TON MANUAL WINCH ASSY.

**Nabrico Products**  
[www.nabrico-marine.com](http://www.nabrico-marine.com)

1250 Gateway Drive  
 Gallatin, Tennessee 37066  
 615-442-1300



# NABRICO



- REVOLUTIONARY NEW HIGH LOAD RELEASE DOG SYSTEM.
- HIGH LOAD RELEASE BRAKE WITH SECONDARY ANTI-BACKLASH DRAG BRAKE THAT IS ACTIVATED AUTOMATICALLY WITH THE RELEASE OF THE DOG.
- HIGH LOAD RELEASE BRAKE IS A MULTI-DISC SYSTEM THAT INCORPORATES ALL STAINLESS STEEL PARTS.
- FASTEST ACTING AND MOST POWERFUL BRAKE AVAILABLE.
- 4 BOLT LUG REMOVABLE HANDWHEEL.
- NEW SIMPLER HEAVY DUTY RATCHET ASSEMBLY WITH NO SPRINGS OR LEVERS.
- MINIMAL MAINTENANCE.
- EASY TO REPAIR.
- ALL STAINLESS STEEL AND SILICON BRONZE FASTENERS INCLUDING SEPARATOR RODS.
- 3-PLY CONVEYOR BELT COVERS (DAMAGE AND CORROSION RESISTANT).
- GALVANIZED COATING AVAILABLE.
- SALTWATER PACKAGE STANDARD WITH 3-PART PAINT SYSTEM.
- HEAVIEST WINCH IN ITS CLASS.
- TRUE RIGHT AND LEFT HAND MODELS FOR USE IN PAIRS.
- TOTALLY ENCLOSED DRIVE TRAIN WITH THE SMALLEST DECK FOOTPRINT IN THE INDUSTRY.

| MODEL No. | HOLDING-DOG &/OR BRAKE | LINE PULL @ FIRST LAYER WITH ONE MAN |                     | DRUM CAPACITIES (M) |       |       |       | WEIGHT | DIMENSIONAL DATA |        |         |
|-----------|------------------------|--------------------------------------|---------------------|---------------------|-------|-------|-------|--------|------------------|--------|---------|
|           |                        | HAND WHEEL                           | RATCHET W/STD. EXT. | 16 mm               | 19 mm | 22 mm | 25 mm |        | W                | L      | H       |
|           | M.TONS                 |                                      |                     |                     |       |       |       | KG     |                  |        |         |
| DF-3-30   | 27 TONS                | 6350 kg                              | 9979 kg             | 71                  | 43    | 38    | 20    | 503    | 492 mm           | 559 mm | 902 mm  |
| DF-3-40   | 36 TONS                | 6350 kg                              | 8165 kg             | 87                  | 53    | 46    | 25    | 711    | 511 mm           | 591 mm | 1105 mm |

## DF-3 MANUAL WINCH

**Nabrico Products**  
[www.nabrico-marine.com](http://www.nabrico-marine.com)

27

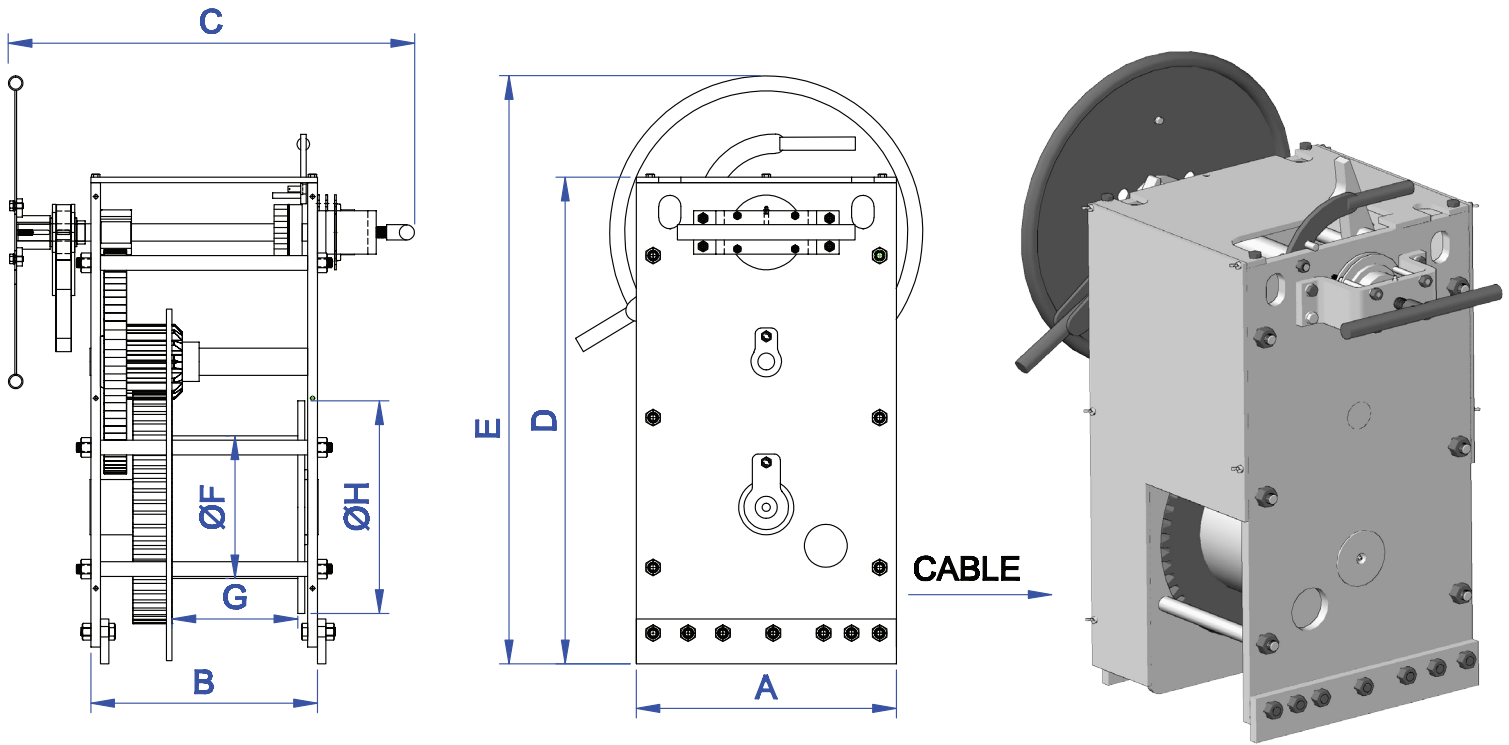
1250 Gateway Drive  
 Gallatin, Tennessee 37066  
 615-442-1300

The specifications and details described by drawings or text in this literature are subject to change without notice.





# NABRICO



LEFT HAND WINCH SHOWN  
RIGHT HAND WINCH OPPOSITE

| COATINGS      | RH WINCH PART No. | LH WINCH PART No. |
|---------------|-------------------|-------------------|
| PAINTED BLACK | 94241             | 94242             |
| GALVANIZED    | 94243             | 94244             |

| MODEL No. | PART No.                | A      | B      | C      | D      | E       | ØF     | G      | ØH     | WT. (Kg) |
|-----------|-------------------------|--------|--------|--------|--------|---------|--------|--------|--------|----------|
| DF-3-30   | REFER TO COATINGS TABLE | 559 mm | 492 mm | 851 mm | 902 mm | 1132 mm | 273 mm | 279 mm | 406 mm | 483      |

## 30 TON UPRIGHT MANUAL WINCH

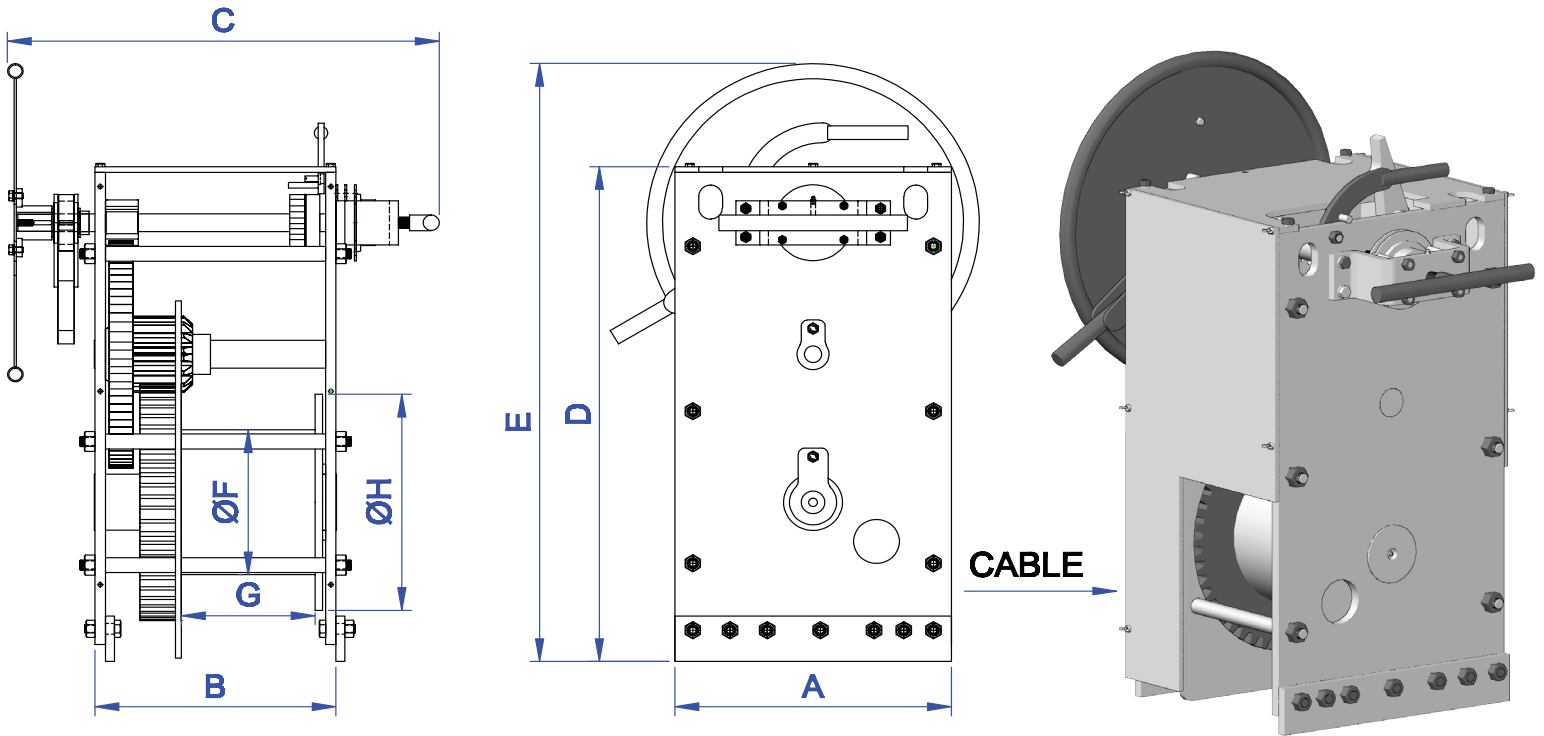
**Nabrico Products**  
[www.nabrico-marine.com](http://www.nabrico-marine.com)

1250 Gateway Drive  
Gallatin, Tennessee 37066  
615-442-1300





# NABRICO



LEFT HAND WINCH SHOWN  
RIGHT HAND WINCH OPPOSITE

| COATINGS      | RH WINCH PART No. | LH WINCH PART No. |
|---------------|-------------------|-------------------|
| PAINTED BLACK | 94237             | 94238             |
| GALVANIZED    | 94239             | 94240             |

| MODEL No. | PART No.                | A      | B      | C      | D       | E       | ØF     | G      | ØH     | WT. (Kg) |
|-----------|-------------------------|--------|--------|--------|---------|---------|--------|--------|--------|----------|
| DF-3-40   | REFER TO COATINGS TABLE | 591 mm | 511 mm | 916 mm | 1105 mm | 1335 mm | 324 mm | 286 mm | 483 mm | 692      |

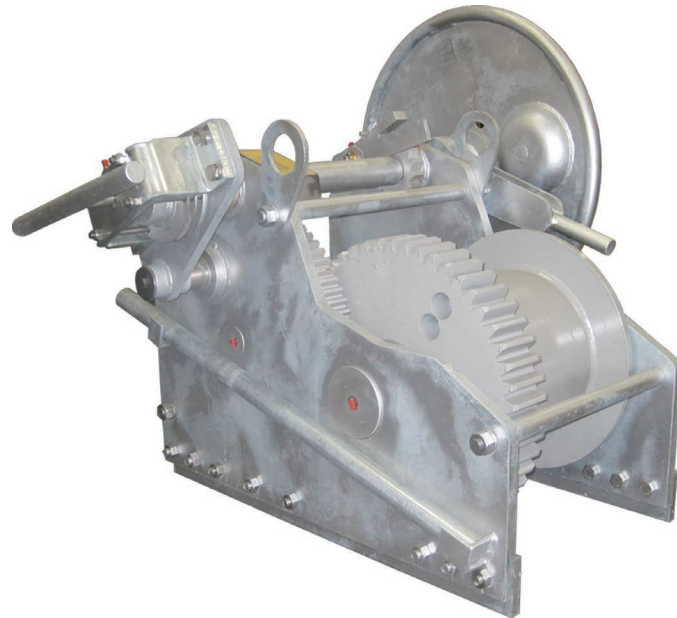
## 40 TON UPRIGHT MANUAL WINCH

**Nabrico Products**  
[www.nabrico-marine.com](http://www.nabrico-marine.com)

1250 Gateway Drive  
Gallatin, Tennessee 37066  
615-442-1300



# NABRICO



## Features

- All steel construction.
- High load release brake is a multi-disc system that incorporates all stainless steel moving parts.
- Fastest acting and most powerful brake available.
- 4 bolt hub removable handwheel.
- Simpler heavy duty ratchet assembly with no springs or levers.
- Bronze bushed bearings.
- Alemite fittings for proper lubrication.
- True left and right hand model for use in pairs.
- Blasted and painted, galvanized and other coatings available.
- All stainless steel and silicon bronze fasteners including separator rods.

| MODEL   | MOUNT      | DOG HOLDING (1) | LINE PULL          |                              | GEAR RATIO | DRUM FLANGE DIAM. | DRUM  |           | DRUM CAPACITIES (M) |    |     |    |    |    |    |    | WEIGHT (Kg) |     |
|---------|------------|-----------------|--------------------|------------------------------|------------|-------------------|-------|-----------|---------------------|----|-----|----|----|----|----|----|-------------|-----|
|         |            |                 | HAND WHEEL ONE MAN | RACHET W/ STANDARD EXTENSION |            |                   | DIAM. | WIDTH (2) | CABLE SIZE (MM)     |    |     |    |    |    |    |    |             |     |
| DF-156  |            | M. TON          | KG                 | KG                           |            | MM                | MM    | MM        | 11                  | 13 | 16  | 19 | 22 | 25 | 29 | 32 | 38          |     |
| 10-6-M  | Right/Left | 9               | 2,359              | 3,175                        | 5.57:1     | 457               | 219   | 152       | 108                 | 97 | 53  | 39 | -  | -  | -  | -  | -           | 227 |
| 20-7-M  | Right/Left | 18              | 6,350              | 6,532                        | 18.57:1    | 406               | 273   | 184       | 82                  | 57 | 33  | 17 | 12 | 6  | -  | -  | -           | 386 |
| 40-11-M | Right/Left | 36              | 6,350              | 8,074                        | 18.57:1    | 483               | 324   | 286       | -                   | -  | 87  | 54 | 40 | 26 | 11 | 8  | -           | 567 |
| 40-18-M | Right/Left | 36              | 6,350              | 8,074                        | 18.57:1    | 483               | 324   | 460       | -                   | -  | 141 | 85 | 46 | 42 | 18 | 16 | -           | 612 |
| 60-11-M | Right/Left | 54              | 10,886             | 13,063                       | 27.0:1     | 610               | 356   | 270       | -                   | -  | 174 | 99 | 80 | 61 | 36 | 34 | 19          | 953 |

1. HOLDING AND LINE PULL RATINGS ARE FOR FIRST LAYER OF CABLE.  
 2. WIDER DRUM WIDTHS AVAILABLE ON REQUEST.

## DF-156 MANUAL WINCHES

Winches portrayed in drawings, photographs and copy are not designed for lifting or lowering persons or equipment.

**Nabrico Products**  
[www.nabrico-marine.com](http://www.nabrico-marine.com)

**30**

**1250 Gateway Drive**  
**Gallatin, Tennessee 37066**  
**615-442-1300**

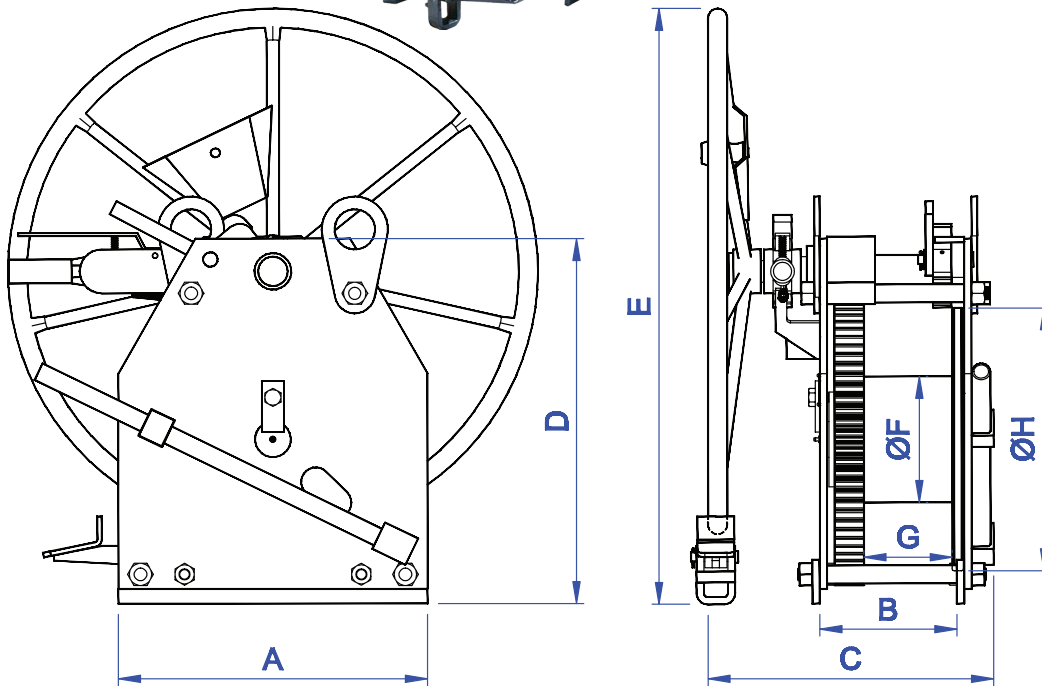
The specifications and details described by drawings or text in this literature are subject to change without notice.



# NABRICO



LEFT HAND WINCH SHOWN  
RIGHT HAND WINCH OPPOSITE



| COATINGS      | RH WINCH PART No. | LH WINCH PART No. |
|---------------|-------------------|-------------------|
| PAINTED BLACK | 70971             | 15326             |
| GALVANIZED    | 6591              | 6590              |

| MODEL No. | PART No.                | A      | B      | C      | D      | E       | ØF     | G      | ØH     | WT. (Kg) |
|-----------|-------------------------|--------|--------|--------|--------|---------|--------|--------|--------|----------|
| DF-156-10 | REFER TO COATINGS TABLE | 533 mm | 262 mm | 460 mm | 610 mm | 1026 mm | 219 mm | 152 mm | 457 mm | 227      |

## 10 TON MANUAL WINCH

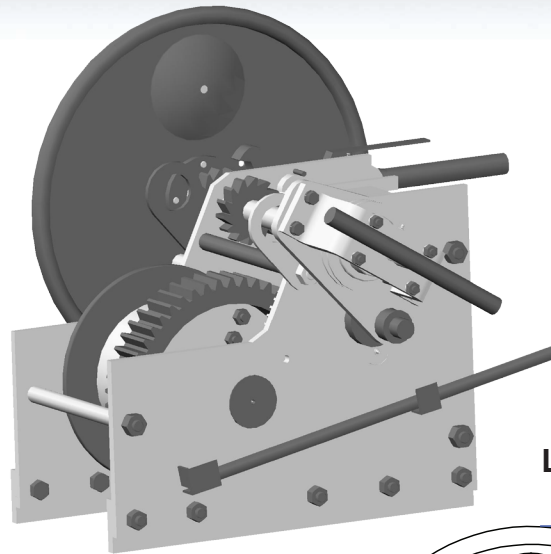
**Nabrico Products**  
[www.nabrico-marine.com](http://www.nabrico-marine.com)

1250 Gateway Drive  
Gallatin, Tennessee 37066  
615-442-1300

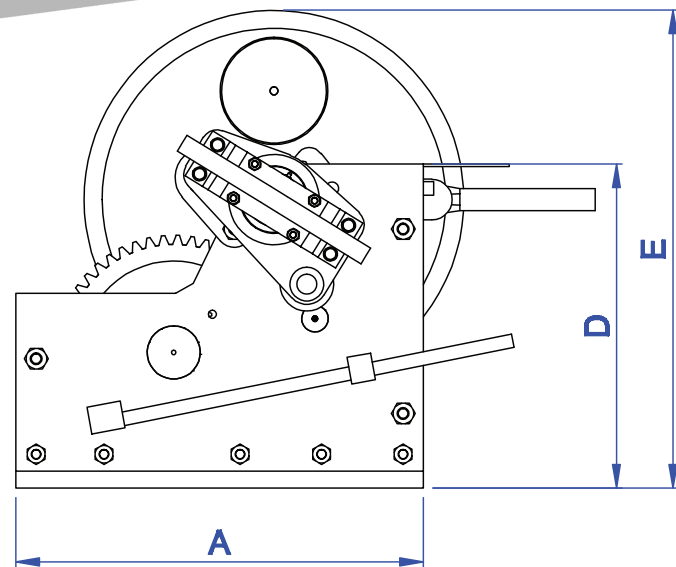
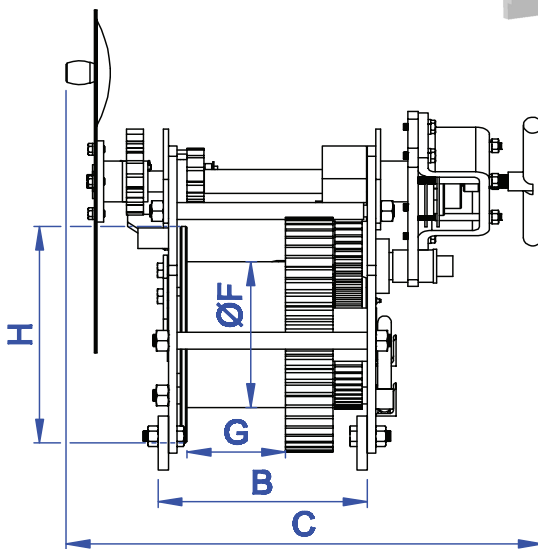




# NABRICO



RIGHT HAND WINCH SHOWN  
LEFT HAND WINCH OPPOSITE



| COATINGS      | RH WINCH PART No. | LH WINCH PART No. |
|---------------|-------------------|-------------------|
| PAINTED BLACK | 71503             | 6601              |
| GALVANIZED    | 87509             | 87510             |

| MODEL No. | PART No.                | A      | B      | C      | D      | E      | ØF     | G      | ØH     | WT. (Kg) |
|-----------|-------------------------|--------|--------|--------|--------|--------|--------|--------|--------|----------|
| DF-156-20 | REFER TO COATINGS TABLE | 762 mm | 391 mm | 838 mm | 610 mm | 864 mm | 273 mm | 184 mm | 406 mm | 386      |

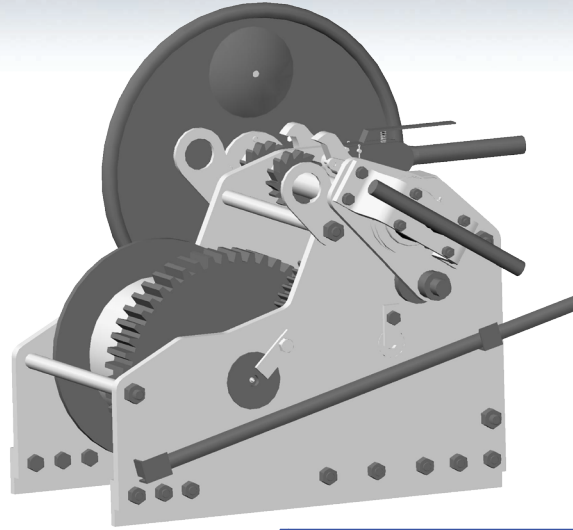
## 20 TON MANUAL WINCH

**Nabrico Products**  
[www.nabrico-marine.com](http://www.nabrico-marine.com)

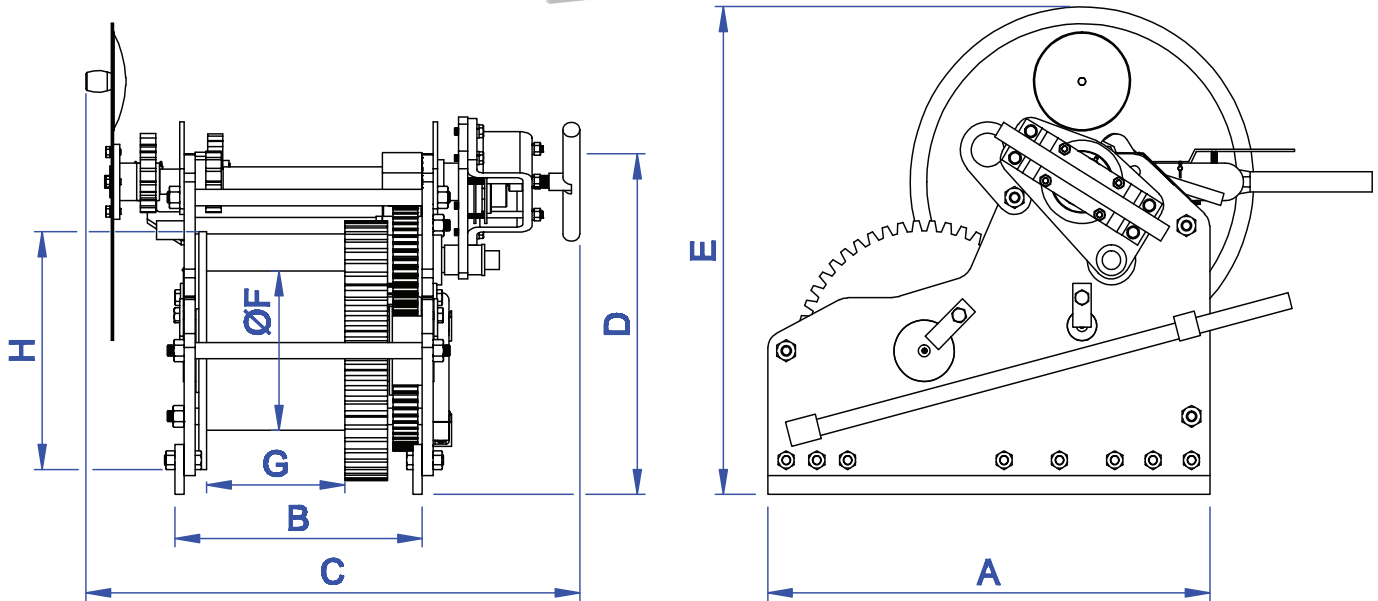
1250 Gateway Drive  
Gallatin, Tennessee 37066  
615-442-1300



# NABRICO



RIGHT HAND WINCH SHOWN  
LEFT HAND WINCH OPPOSITE



| COATINGS      | RH WINCH PART No. | LH WINCH PART No. |
|---------------|-------------------|-------------------|
| PAINTED BLACK | 94213             | 94212             |
| GALVANIZED    | 94224             | 94223             |

| MODEL No. | PART No.                | A      | B      | C       | D      | E      | ØF     | G      | ØH     | WT. (Kg) |
|-----------|-------------------------|--------|--------|---------|--------|--------|--------|--------|--------|----------|
| DF-156-40 | REFER TO COATINGS TABLE | 914 mm | 511 mm | 1067 mm | 692 mm | 991 mm | 324 mm | 286 mm | 483 mm | 567      |

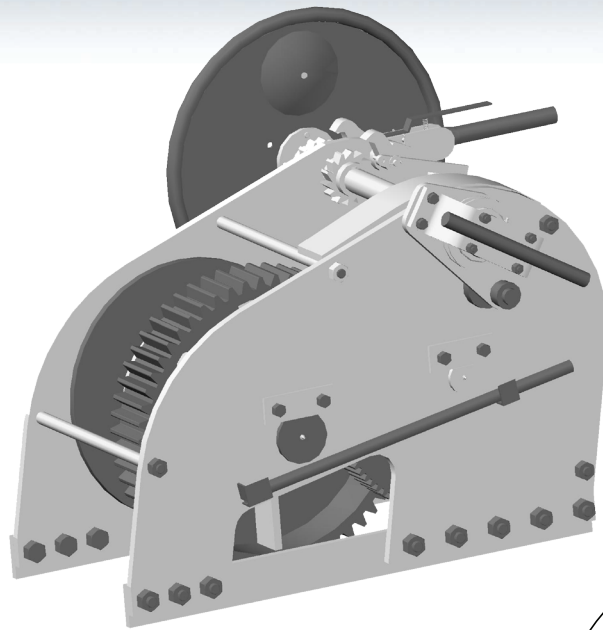
## 40 TON MANUAL WINCH

**Nabrico Products**  
[www.nabrico-marine.com](http://www.nabrico-marine.com)

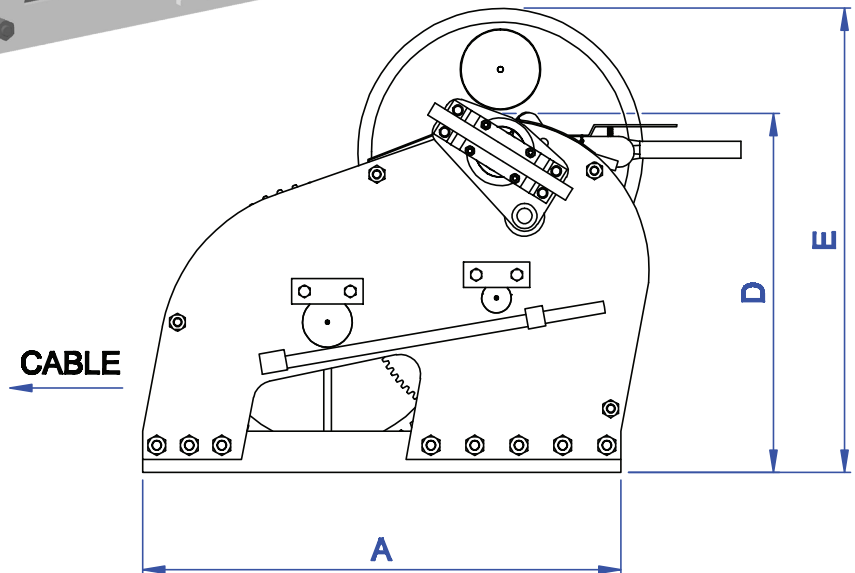
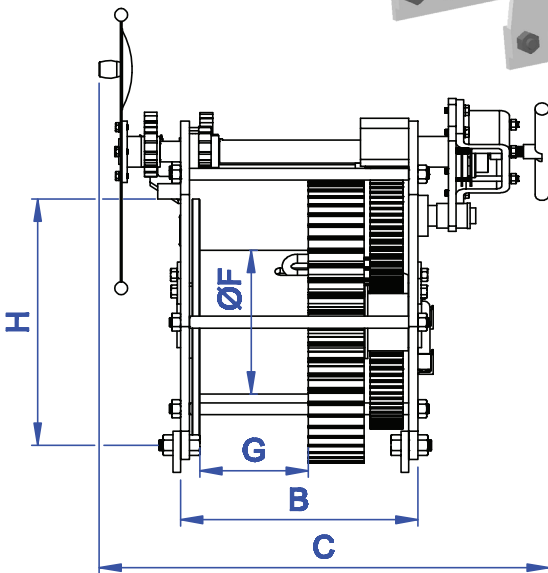
1250 Gateway Drive  
Gallatin, Tennessee 37066  
615-442-1300



# NABRICO



RIGHT HAND WINCH SHOWN  
LEFT HAND WINCH OPPOSITE



| COATINGS      | RH WINCH PART No. | LH WINCH PART No. |
|---------------|-------------------|-------------------|
| PAINTED BLACK | 72043             | 6528              |
| GALVANIZED    | 72044             | 6529              |

| MODEL No. | PART No.                | A       | B      | C       | D      | E       | ØF     | G      | ØH     | WT. (Kg) |
|-----------|-------------------------|---------|--------|---------|--------|---------|--------|--------|--------|----------|
| DF-156-60 | REFER TO COATINGS TABLE | 1248 mm | 591 mm | 1143 mm | 889 mm | 1156 mm | 356 mm | 270 mm | 610 mm | 1043     |

## 60 TON MANUAL WINCH

**Nabrico Products**  
[www.nabrico-marine.com](http://www.nabrico-marine.com)

1250 Gateway Drive  
Gallatin, Tennessee 37066  
615-442-1300





# NABRICO



- Heavy duty springless, galvanized ratchet handle.
- Stainless steel brake drum and band.
- Chrome plated shafts.
- Bronze bushings with graphite inserts.
- Stainless / bronze hardware.
- Two-piece side plate for easy maintenance.

- “Easy off” handwheel.
- Doubler plate, base bar, d-ring, or swivel mounting.
- Right and left hand models.
- Blasted and epoxy painted.
- Hot dipped galvanized option available.
- High load release dog.

| MODEL No. | HOLDING DOG &/OR BRAKE | LINE PULL @ FIRST LAYER WITH ONE MAN (KG) |                     | DRUM FLANGE DIAM. | DRUM (MM) |       | DRUM CAPACITIES (M) |       |       |       | DIMENSIONAL DATA (MM) |     |     |
|-----------|------------------------|---|---------------------|-------------------|-----------|-------|---------------------|-------|-------|-------|-----------------------|-----|-----|
|           | M. TONS                | HAND WHEEL                                | RATCHET W/STD. EXT. |                   | DIAM      | WIDTH | 16 mm               | 19 mm | 22 mm | 25 mm | W                     | L   | H   |
| DF-529    | 36 M. TONS             | 907                                       | 3629                | 356 mm            | 168       | 175   | 38                  | 29    | 26    | 21    | 318                   | 502 | 578 |

## DF-529 LOW PROFILE WINCH

**Nabrigo Products**  
[www.nabrigo-marine.com](http://www.nabrigo-marine.com)

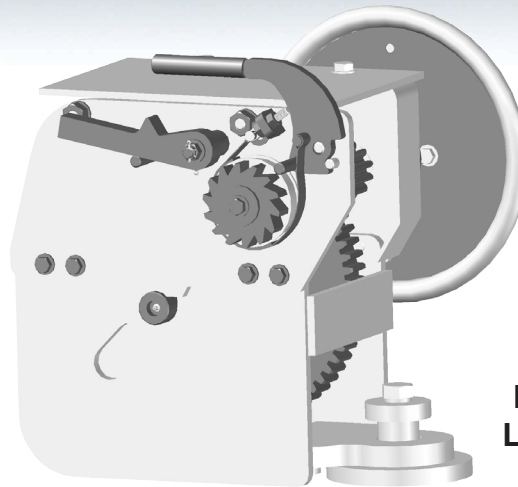
**35**

1250 Gateway Drive  
 Gallatin, Tennessee 37066  
 615-442-1300

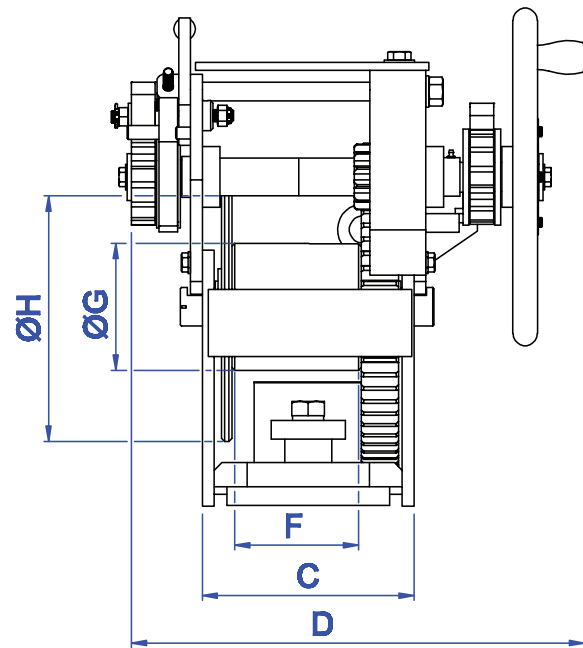
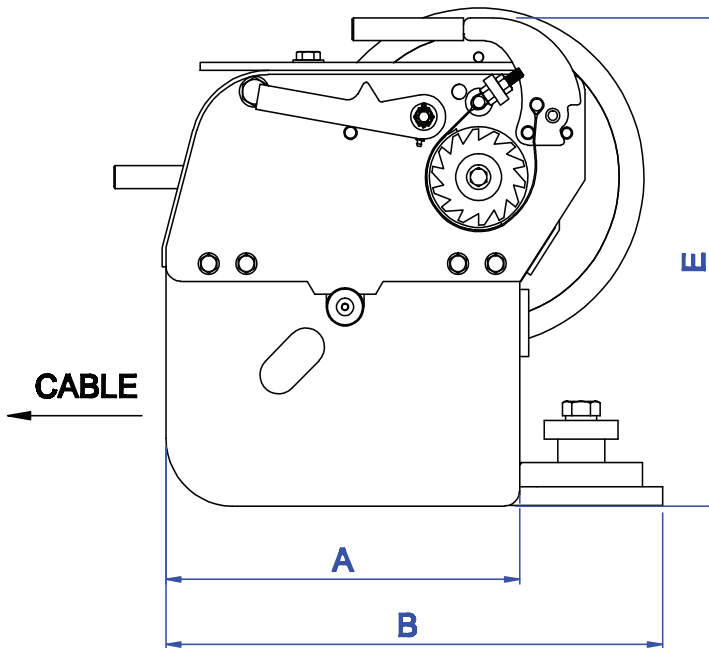
The specifications and details described by drawings or text in this literature are subject to change without notice.



# NABRICO



RIGHT HAND WINCH SHOWN  
LEFT HAND WINCH OPPOSITE



| COATINGS      | RH WINCH PART No. | LH WINCH PART No. |
|---------------|-------------------|-------------------|
| PAINTED BLACK | 90088             | 90098             |
| GALVANIZED    | 89101             | 89100             |

| MODEL No. | PART No.                | A      | B      | C      | D      | E      | ØF     | G      | ØH     | WT. (Kg) |
|-----------|-------------------------|--------|--------|--------|--------|--------|--------|--------|--------|----------|
| DF-529    | REFER TO COATINGS TABLE | 476 mm | 673 mm | 286 mm | 610 mm | 648 mm | 175 mm | 168 mm | 356 mm | 249      |

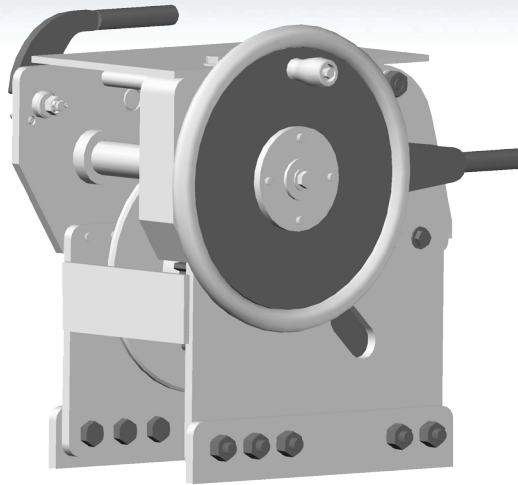
## 40 TON LP BUTTON MOUNT WINCH

**Nabrico Products**  
[www.nabrico-marine.com](http://www.nabrico-marine.com)

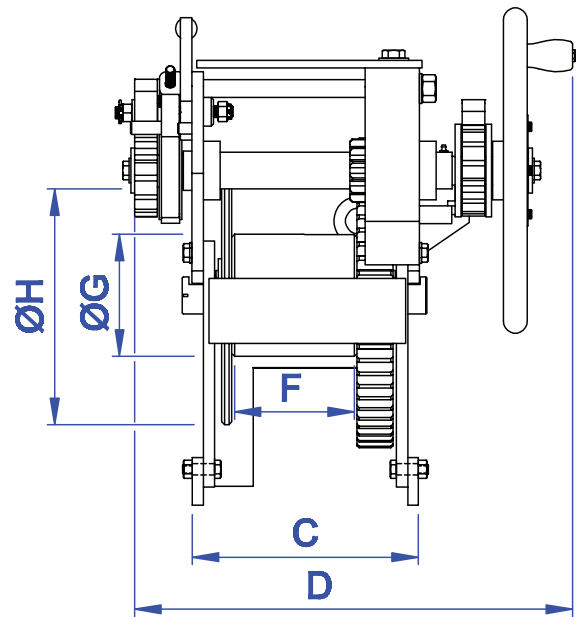
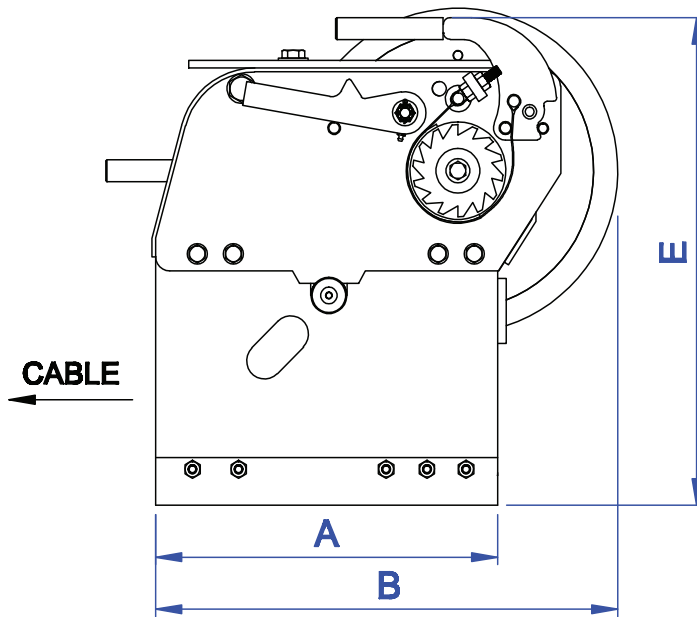
1250 Gateway Drive  
Gallatin, Tennessee 37066  
615-442-1300



# NABRICO



RIGHT HAND WINCH SHOWN  
LEFT HAND WINCH OPPOSITE



| COATINGS      | RH WINCH PART No. | LH WINCH PART No. |
|---------------|-------------------|-------------------|
| PAINTED BLACK | 89081             | 89080             |
| GALVANIZED    | 89103             | 89102             |

| MODEL No. | PART No.                | A      | B      | C      | D      | E      | F      | ØG     | ØH     | WT. (Kg) |
|-----------|-------------------------|--------|--------|--------|--------|--------|--------|--------|--------|----------|
| DF-529    | REFER TO COATINGS TABLE | 500 mm | 673 mm | 318 mm | 610 mm | 648 mm | 175 mm | 168 mm | 356 mm | 218      |

## 40 TON LP BASE BAR MOUNT WINCH

**Nabrico Products**  
[www.nabrico-marine.com](http://www.nabrico-marine.com)

37

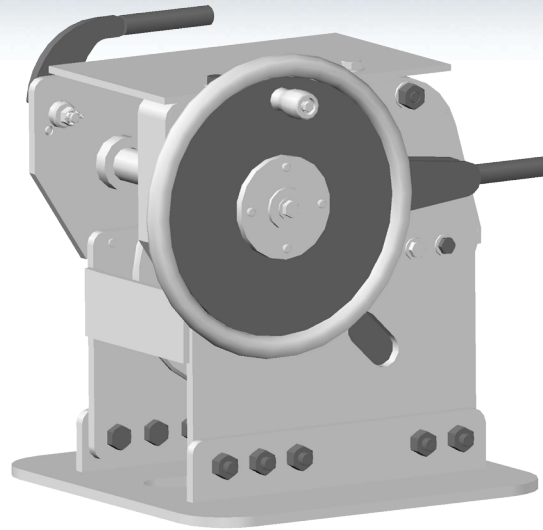
1250 Gateway Drive  
Gallatin, Tennessee 37066  
615-442-1300

The specifications and details described by drawings or text in this literature are subject to change without notice.

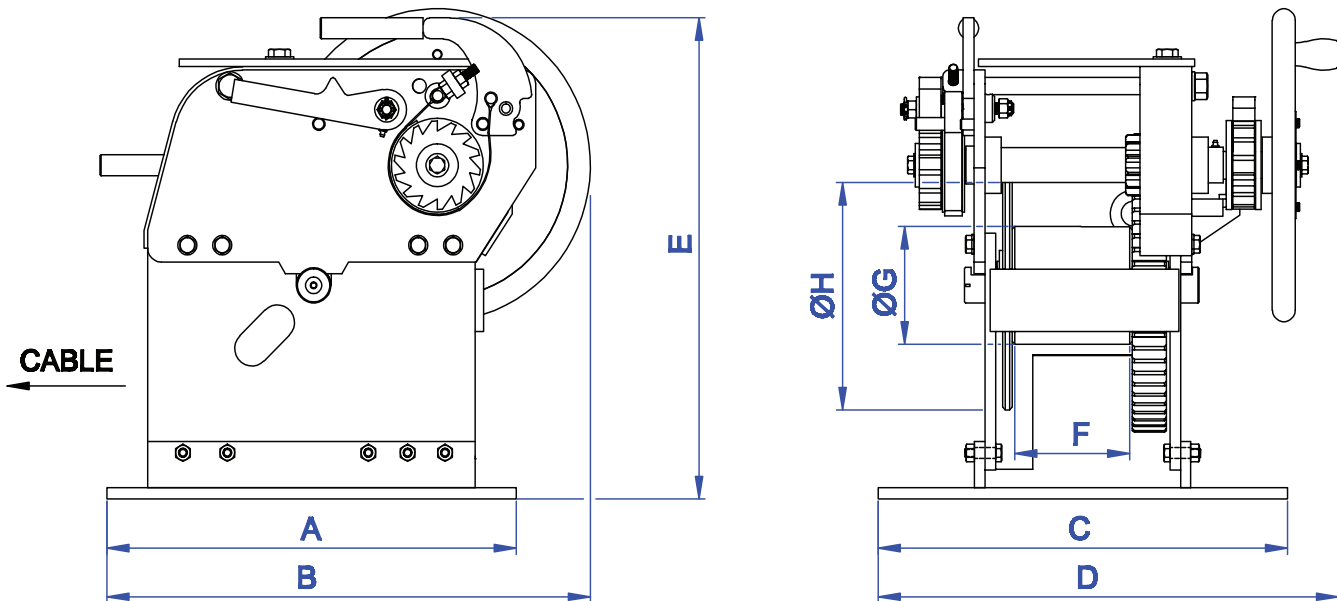




# NABRICO



RIGHT HAND WINCH SHOWN  
LEFT HAND WINCH OPPOSITE



| COATINGS      | RH WINCH PART No. | LH WINCH PART No. |
|---------------|-------------------|-------------------|
| PAINTED BLACK | 89088             | 89098             |
| GALVANIZED    | 89092             | 89093             |

| MODEL No. | PART No.                | A      | B      | C      | D      | E      | ØF     | G      | ØH     | WT. (Kg) |
|-----------|-------------------------|--------|--------|--------|--------|--------|--------|--------|--------|----------|
| DF-529    | REFER TO COATINGS TABLE | 597 mm | 721 mm | 597 mm | 622 mm | 648 mm | 175 mm | 168 mm | 356 mm | 249      |

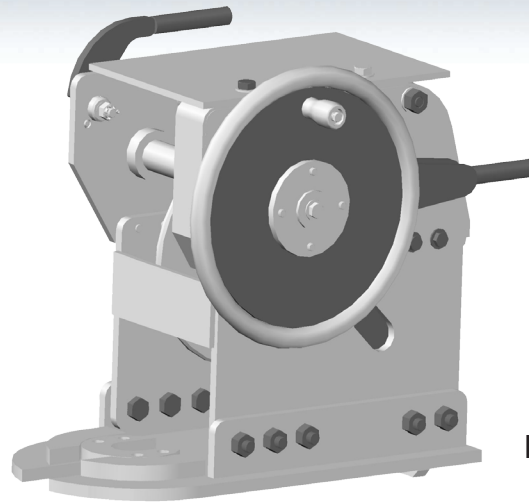
## 40 TON LP DOUBLER PLATE MOUNT

**Nabrico Products**  
[www.nabrico-marine.com](http://www.nabrico-marine.com)

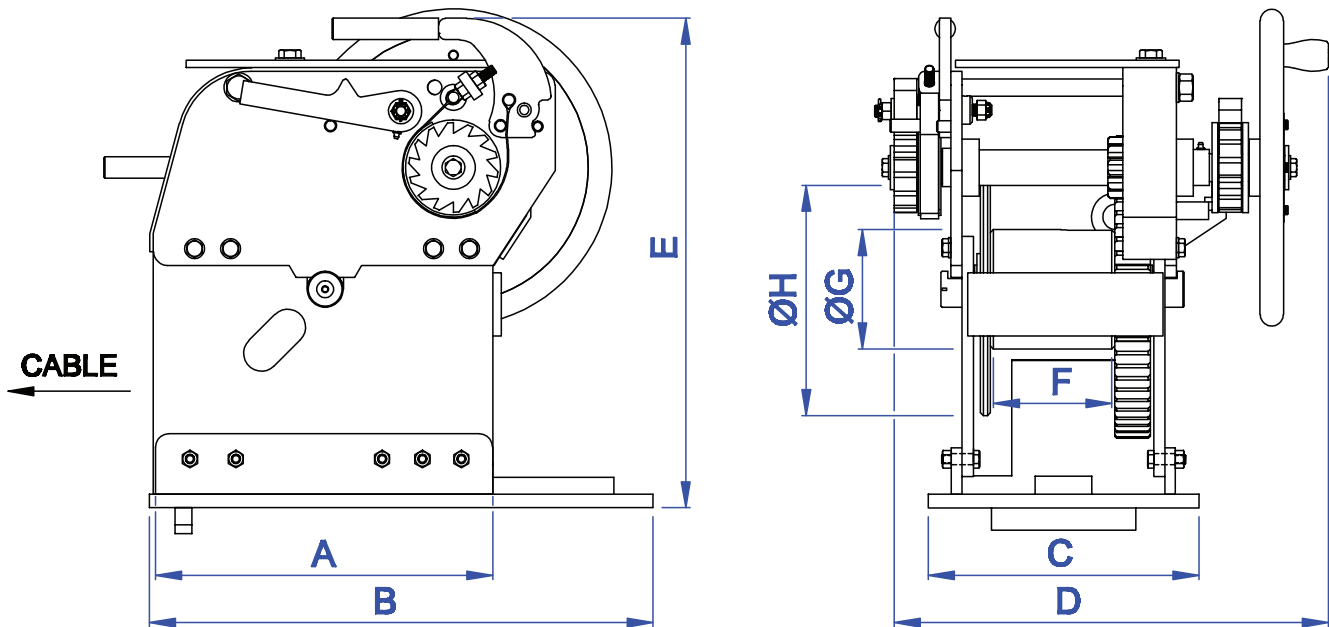
1250 Gateway Drive  
Gallatin, Tennessee 37066  
615-442-1300



# NABRICO



RIGHT HAND WINCH SHOWN  
LEFT HAND WINCH OPPOSITE



| COATINGS      | RH WINCH PART No. | LH WINCH PART No. |
|---------------|-------------------|-------------------|
| PAINTED BLACK | 89083             | 89082             |
| GALVANIZED    | 89090             | 89091             |

| MODEL No. | PART No.                | A      | B      | C      | D      | E      | F      | ØG     | ØH     | WT. (Kg) |
|-----------|-------------------------|--------|--------|--------|--------|--------|--------|--------|--------|----------|
| DF-529    | REFER TO COATINGS TABLE | 500 mm | 749 mm | 381 mm | 610 mm | 648 mm | 175 mm | 168 mm | 356 mm | 249      |

## 40 TON LP D-RING MOUNT WINCH

**Nabrico Products**  
[www.nabrico-marine.com](http://www.nabrico-marine.com)

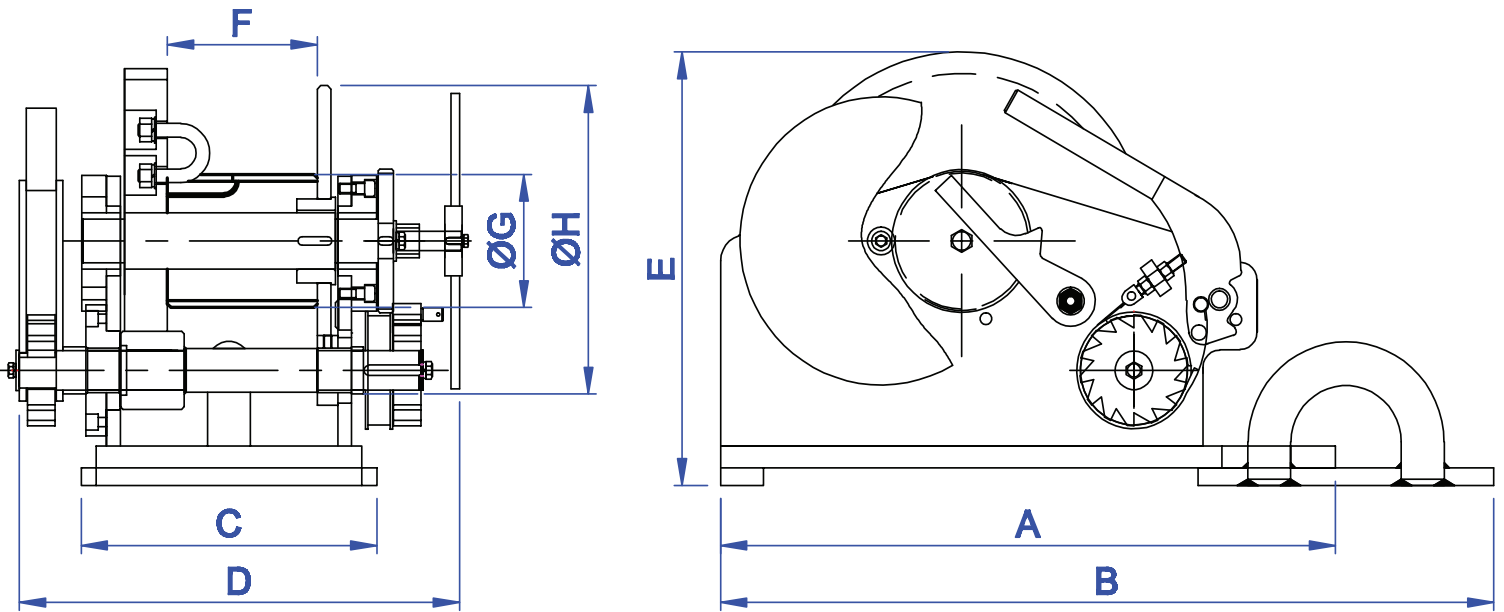
39

1250 Gateway Drive  
Gallatin, Tennessee 37066  
615-442-1300

The specifications and details described by drawings or text in this literature are subject to change without notice.



# NABRICO



RIGHT HAND WINCH SHOWN  
LEFT HAND WINCH OPPOSITE

| COATINGS   | RH WINCH PART No. | LH WINCH PART No. |
|------------|-------------------|-------------------|
| GALVANIZED | 89061             | 89060             |

| MODEL No. | PART No.                | A      | B      | C      | D      | E      | F      | ØG     | ØH     | WT. (Kg) |
|-----------|-------------------------|--------|--------|--------|--------|--------|--------|--------|--------|----------|
| DF-539    | REFER TO COATINGS TABLE | 719 mm | 903 mm | 344 mm | 505 mm | 495 mm | 175 mm | 152 mm | 356 mm | 227      |

## 40 TON COMPACT LOW PROFILE WINCH

**Nabrico Products**  
[www.nabrico-marine.com](http://www.nabrico-marine.com)

**40**

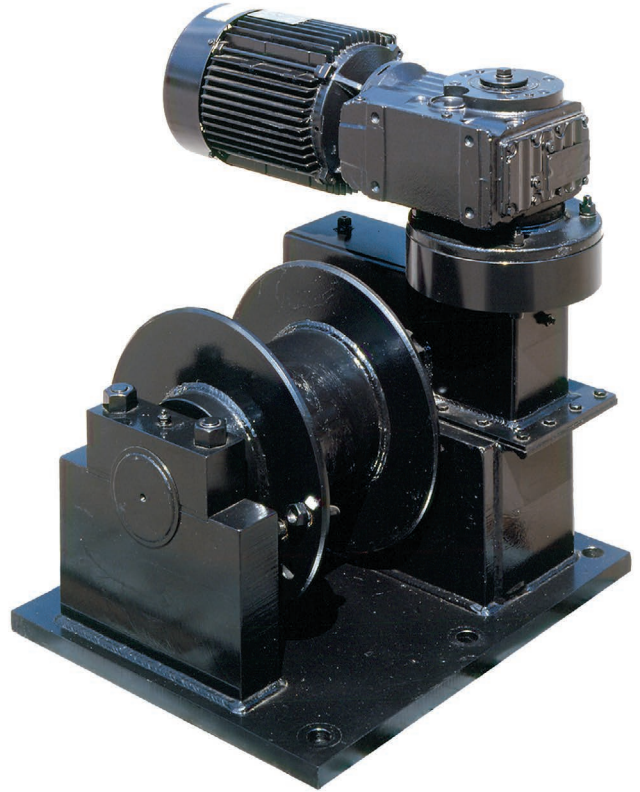
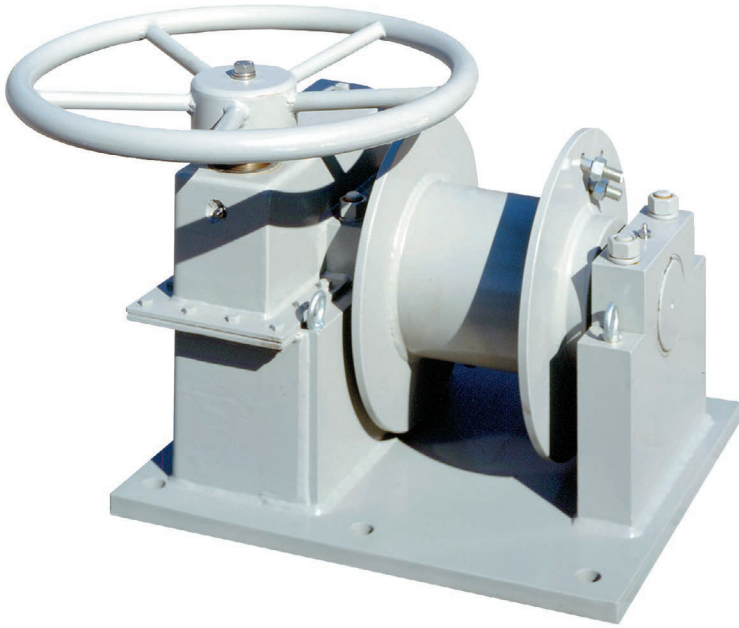
1250 Gateway Drive  
Gallatin, Tennessee 37066  
615-442-1300

The specifications and details described by drawings or text in this literature are subject to change without notice.





# NABRICO



| MODEL     | HOLDING CAPACITY | LINE PULL @ FIRST LAYER OF CABLE |               |            | LINE SPEED @ FIRST LAYER OF CABLE | DRUM DIMENSIONS |           |            | DRUM CAPACITY (M) |    |    |    |    | MOTOR |
|-----------|------------------|----------------------------------|---------------|------------|-----------------------------------|-----------------|-----------|------------|-------------------|----|----|----|----|-------|
|           |                  | @ RATED AMPS                     | @ MOTOR STALL | HAND WHEEL |                                   | FLANGE DIA.     | DRUM DIA. | DRUM WIDTH | CABLE SIZE (MM)   |    |    |    |    |       |
|           |                  | M. TONS                          | KG            | KG         |                                   | KG              | MPM       | MM         | MM                | MM | 13 | 16 | 19 |       |
| DF-170-25 | 23               | 2,631                            | 3,402         | 3,175      | 8                                 | 375             | 203       | 194        | 70                | 59 | 38 | 27 | 20 | 4     |

Parker Towing Winches have been in the marine market place for more than fifty years. Still marketed under the Parker name but owned by NABRICO, they benefit from the added support of NABRICO's commitment to quality, inventory maintenance, continuing product improvement and customer service. We offer an electric model and have made it possible for all manual units to be retrofitted.

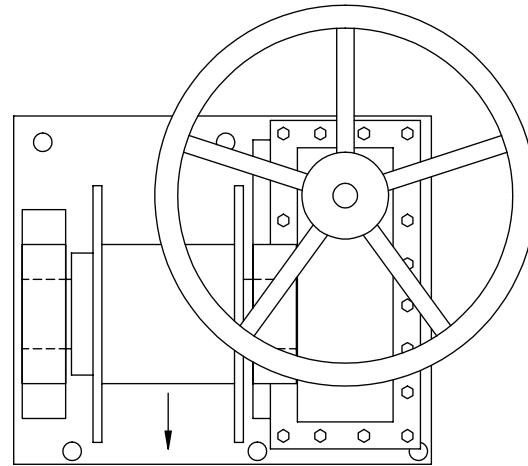
## PARKER WINCH

**Nabrigo Products**  
[www.nabrigo-marine.com](http://www.nabrigo-marine.com)

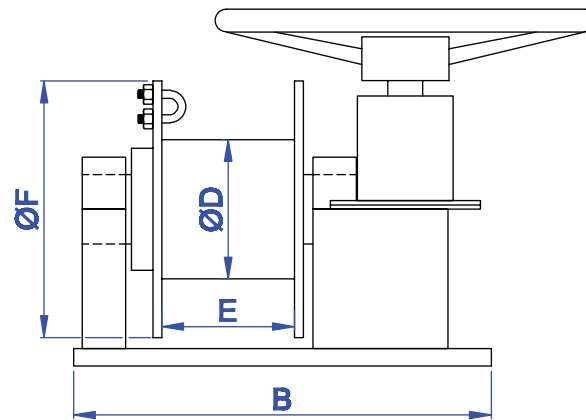
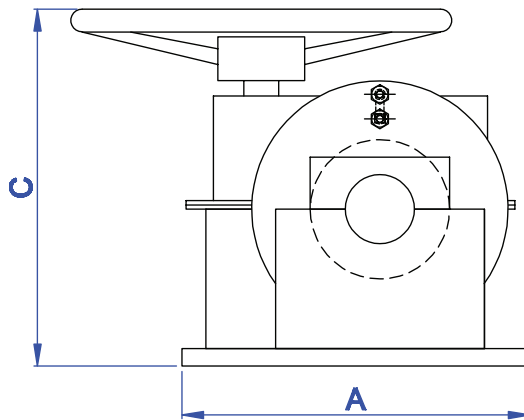
1250 Gateway Drive  
 Gallatin, Tennessee 37066  
 615-442-1300



# NABRICO



RIGHT HAND WINCH SHOWN  
LEFT HAND WINCH OPPOSITE



| COATINGS | RH WINCH PART No. | LH WINCH PART No. |
|----------|-------------------|-------------------|
| PAINTED  | 100506            | 100501            |

| MODEL No.   | PART No.                | A      | B      | C      | ØD     | E      | ØF     | WT. (Kg) |
|-------------|-------------------------|--------|--------|--------|--------|--------|--------|----------|
| DF-170-25-M | REFER TO COATINGS TABLE | 508 mm | 610 mm | 521 mm | 203 mm | 194 mm | 375 mm | 308      |

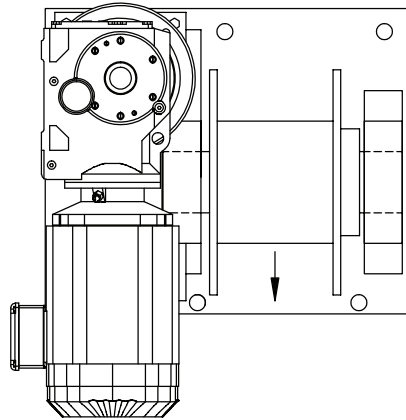
## 25 TON PARKER WINCH

**Nabrico Products**  
[www.nabrico-marine.com](http://www.nabrico-marine.com)

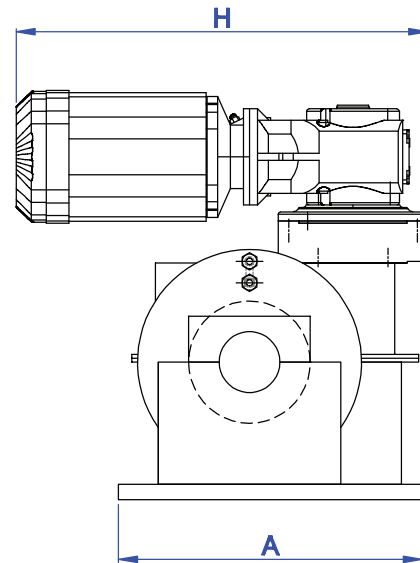
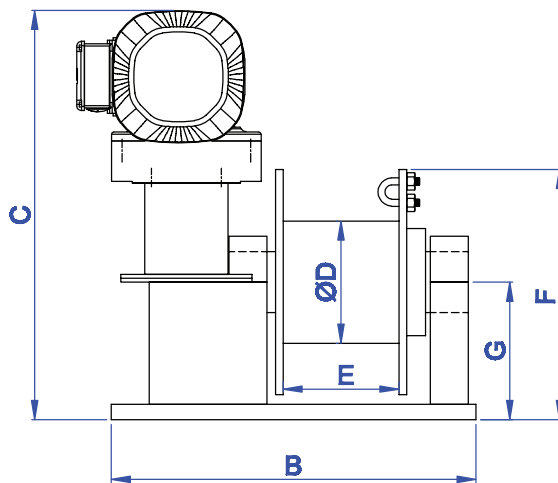
1250 Gateway Drive  
Gallatin, Tennessee 37066  
615-442-1300



# NABRICO



LEFT HAND WINCH SHOWN  
RIGHT HAND WINCH OPPOSITE



| COATINGS | RH WINCH PART No. | LH WINCH PART No. |
|----------|-------------------|-------------------|
| PAINTED  | 100507            | 100502            |

**NOTES:**

1. Electric motor replaces the manual handwheel and attaches to the winch by using the adapter shaft (PN 100708) and adapter ring (PN 100709).

| MODEL No.   | PART No.                | A      | B      | C      | ØD     | E      | F      | G      | H      | WT. (Kg) |
|-------------|-------------------------|--------|--------|--------|--------|--------|--------|--------|--------|----------|
| DF-170-25-E | REFER TO COATINGS TABLE | 508 mm | 610 mm | 681 mm | 203 mm | 194 mm | 416 mm | 229 mm | 687 mm | 381      |

## 25 TON PARKER ELECTRIC WINCH

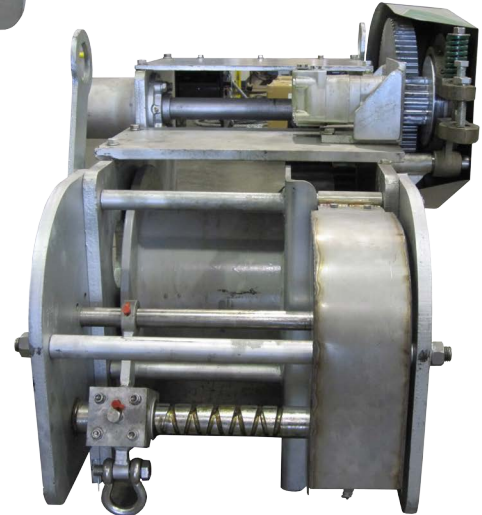
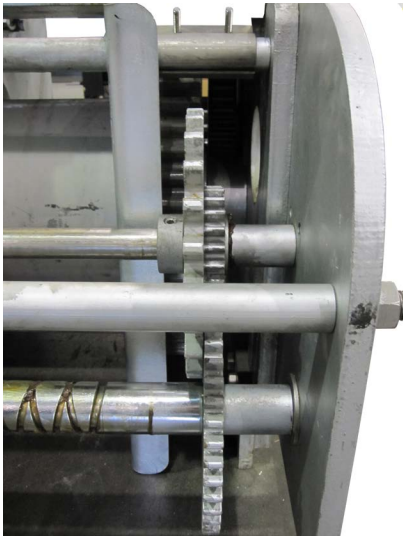
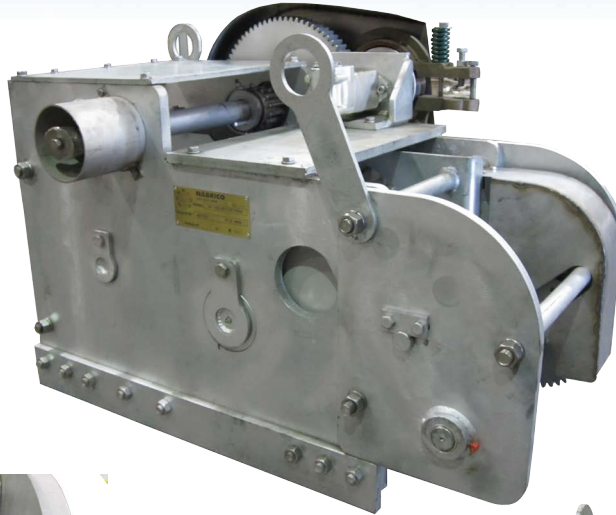
**Nabrico Products**  
[www.nabrico-marine.com](http://www.nabrico-marine.com)

1250 Gateway Drive  
Gallatin, Tennessee 37066  
615-442-1300





# NABRICO



NABRICO's Level Wind Kit has the ability to turn our standard DF-156-40 Hydra-Electric or DF-1-40 Electric winches into a winch with a powered level wind. These kits are field retrofits with simple bolt-on replacement. When you purchase the Level Wind Kit, everything is included inside the box with no additional hardware needed. The Level Wind Kit is custom to each specific size of wire rope or synthetic rope to ensure the most uniform winding on the drum, so please let our sales team know what rope type and size you're using when ordering.

## LEVEL WIND KIT

**Nabrigo Products**  
[www.nabrigo-marine.com](http://www.nabrigo-marine.com)

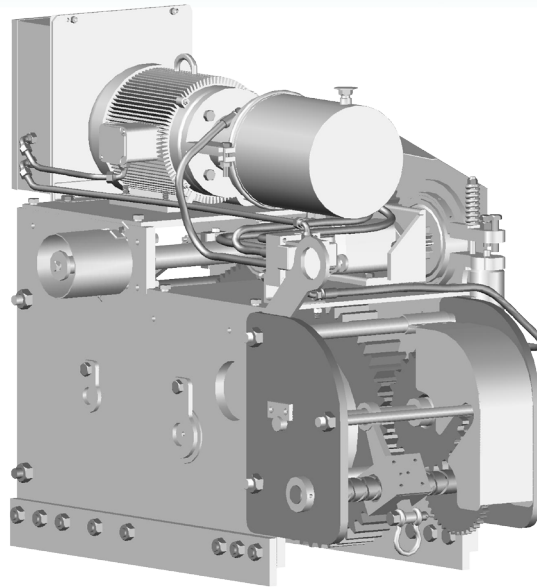
**44**

1250 Gateway Drive  
Gallatin, Tennessee 37066  
615-442-1300

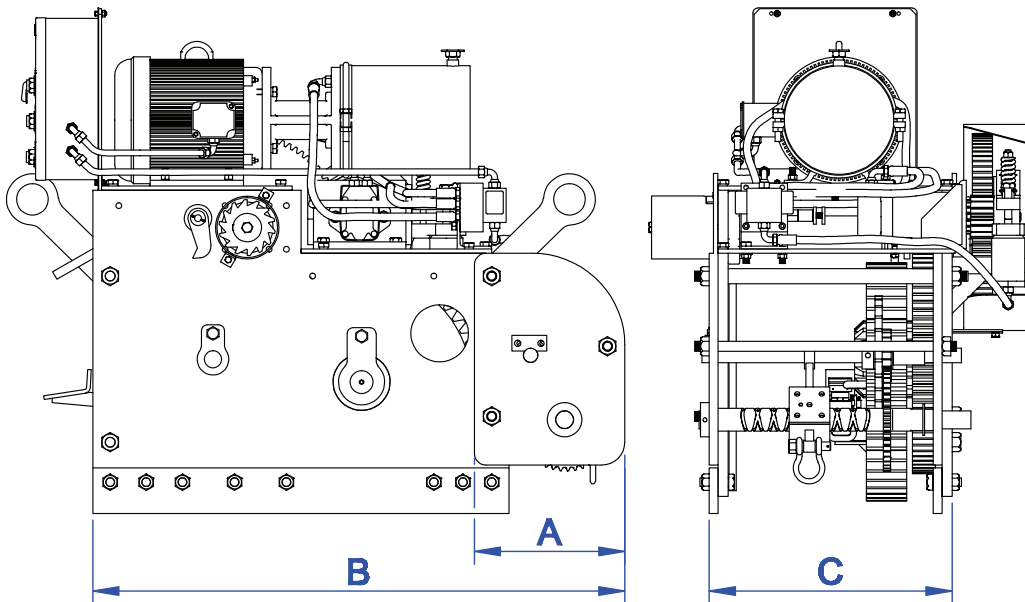
The specifications and details described by drawings or text in this literature are subject to change without notice.



# NABRICO



RIGHT HAND WINCH SHOWN  
LEFT HAND WINCH OPPOSITE



| PART No. | SIZE      | A   | B    | C   | WT. (Kg) |
|----------|-----------|-----|------|-----|----------|
| 82095-LH | 36 M. TON | 330 | 1168 | 552 | 86       |
| 82096-RH |           | mm  | mm   | mm  |          |

## LEVEL WIND KIT FOR DF-156 HE WINCH

**Nabrico Products**  
[www.nabrico-marine.com](http://www.nabrico-marine.com)

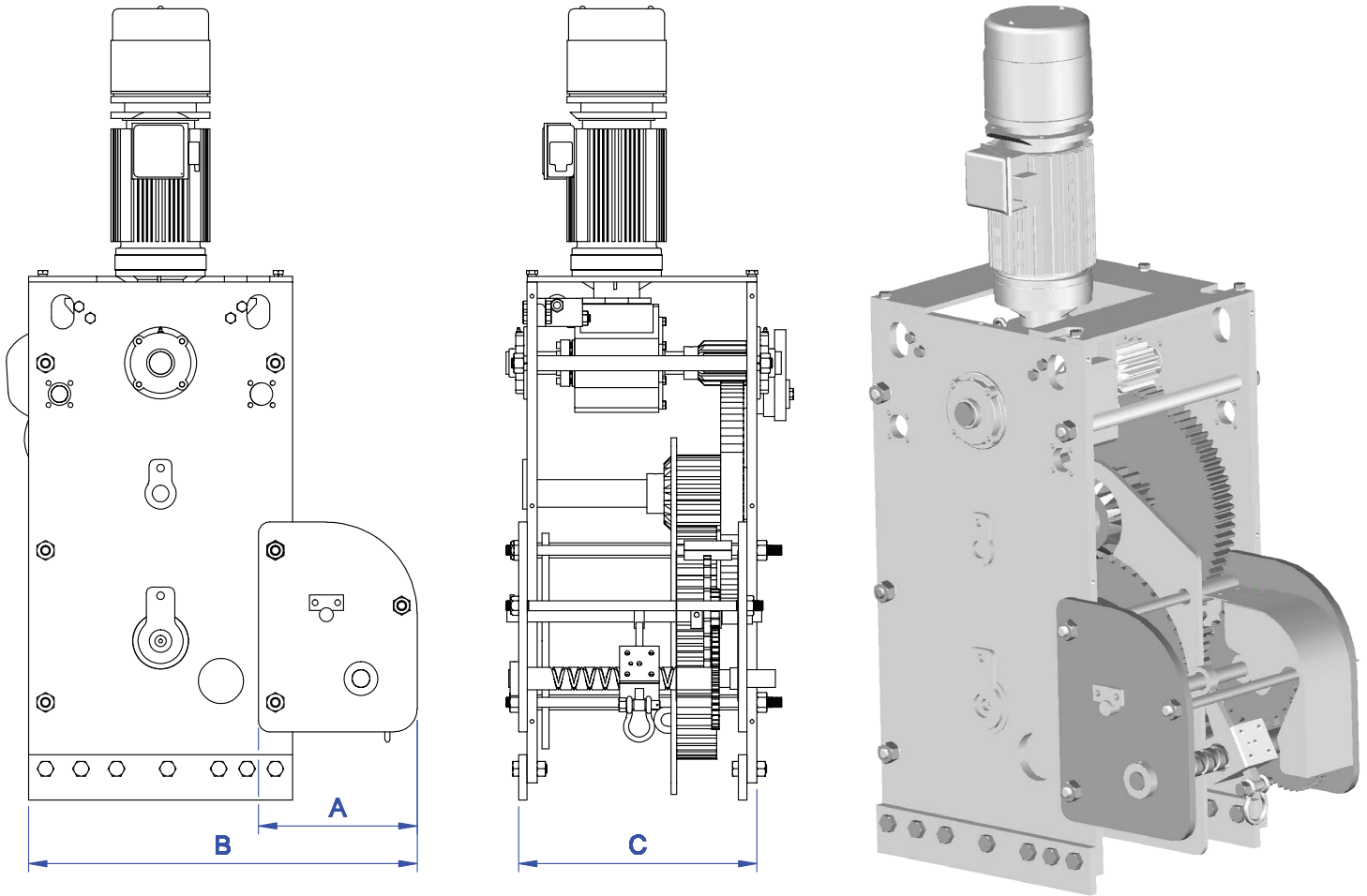
45

1250 Gateway Drive  
Gallatin, Tennessee 37066  
615-442-1300

The specifications and details described by drawings or text in this literature are subject to change without notice.



# NABRICO



RIGHT HAND WINCH SHOWN  
LEFT HAND WINCH OPPOSITE

| PART No.             | SIZE      | A      | B      | C      | WT. (Kg) |
|----------------------|-----------|--------|--------|--------|----------|
| 82095-LH<br>82096-RH | 36 M. TON | 356 mm | 870 mm | 552 mm | 86       |

## LEVEL WIND KIT FOR 40 TON ELECTRIC

**Nabrico Products**  
[www.nabrico-marine.com](http://www.nabrico-marine.com)

1250 Gateway Drive  
Gallatin, Tennessee 37066  
615-442-1300



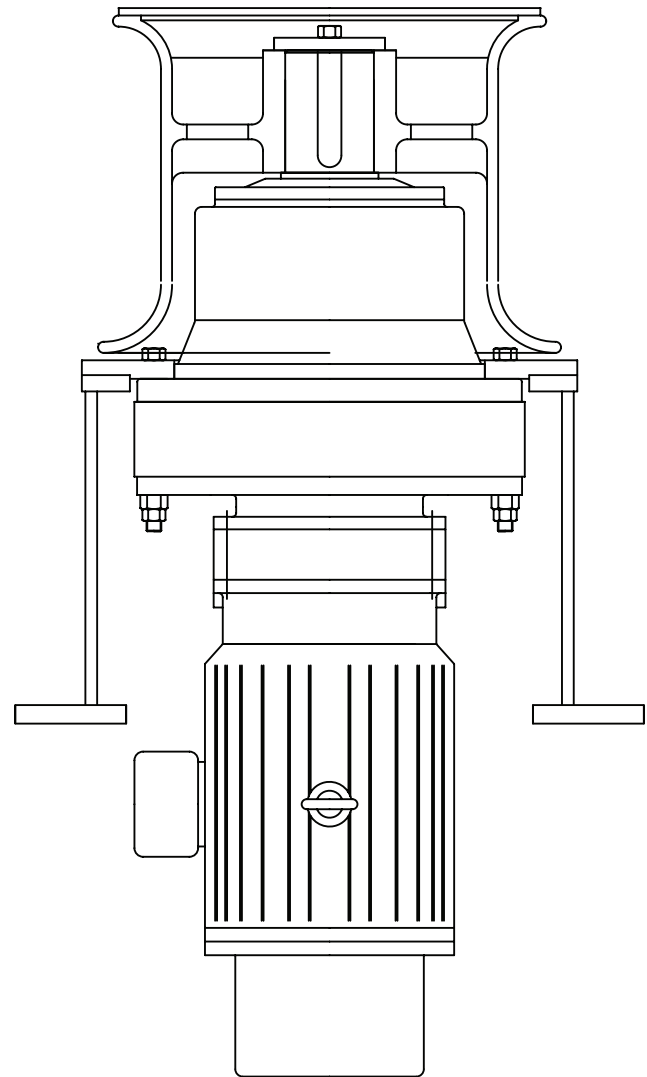
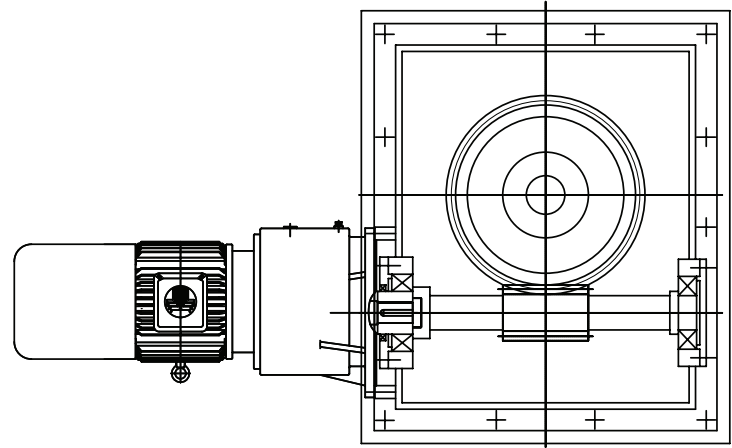
# CAPSTANS

## CAPSTANS

ELECTRIC / HYDRAULIC

48

NABRICO provides a variety of capstan options to meet your specific requirements. Whether your needs require a thru-deck, above deck, electric, or hydraulic capstan, our engineers and sales people will provide a capstan to meet the demands of your applications.



**Nabrico Products**  
[www.nabrico-marine.com](http://www.nabrico-marine.com)

**47**

**1250 Gateway Drive**  
**Gallatin, Tennessee 37066**  
**615-442-1300**

The specifications and details described by drawings or text in this literature are subject to change without notice.



# NABRICO



**SPECIFY THE FOLLOWING INFORMATION TO DETERMINE THE SIZE AND SPEED OF YOUR CAPSTANS:**

**HEAD SIZE** \_\_\_\_\_  
**No. OF SPEEDS** \_\_\_\_\_  
**LINE PULL** \_\_\_\_\_  
**LINE SPEED** \_\_\_\_\_  
**DRIVE** \_\_\_\_\_

**MODEL SHOWN**

**MODEL** DF-C-18-15-30-H  
**HEAD SIZE** 457 MM  
**No. OF SPEEDS** ONE  
**LINE PULL** 2268 KG  
**LINE SPEED** 9 MPM  
**DRIVE** HYDRAULIC

- VERTICAL THRU-DECK OR ABOVE DECK MODELS
- FABRICATED STEEL CONSTRUCTION
- POLISHED STEEL CAPSTAN HEAD
- HEAD SIZES AVAILABLE TO 914 MM DIAMETER
- SINGLE OR VARIABLE SPEEDS AVAILABLE

- LINE PULL UP TO 45,359 KG
- STATIC OR BOLLARD PULL UP 136,078 KG
- THREE COAT ZINC AND EPOXY PAINT SYSTEM
- PLANETARY OR WORM AND SPUR GEARING
- AVAILABLE WITH AN ELECTRIC OR HYDRAULIC DRIVE

## CAPSTANS

**Nabrico Products**  
[www.nabrico-marine.com](http://www.nabrico-marine.com)

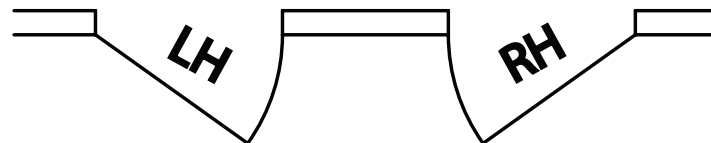
1250 Gateway Drive  
 Gallatin, Tennessee 37066  
 615-442-1300

# DOORS

NABRICO doors are made from a zinc primed mild steel and are offered in several styles including 4 dog, 6 dog, quick acting, and lever arm. Any of our doors can be customized to fit your needs. Some options include aluminum or stainless steel construction, varied custom sizing, or different portlight options. The majority of our doors are ABS certified, and we have the ability to get any custom door certified.

## DOORS

|                    |    |
|--------------------|----|
| 4 DOG              | 50 |
| 6 DOG              | 51 |
| 6 DOG W/ PORTLIGHT | 52 |
| QUICK ACTING       | 53 |
| 4 DOG LEVER ARM    | 54 |
| 6 DOG LEVER ARM    | 55 |



## ORIENTATION

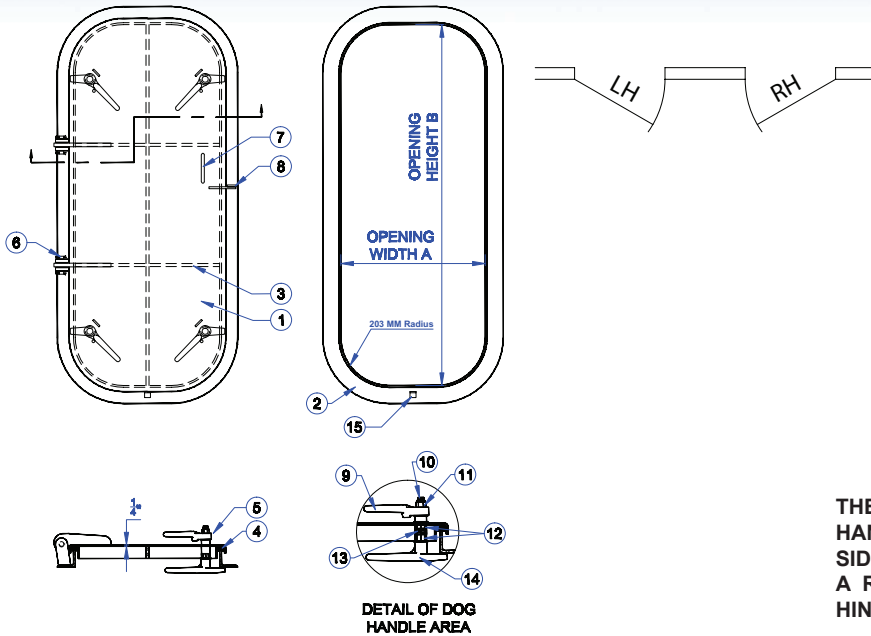
**Nabrico Products**  
[www.nabrico-marine.com](http://www.nabrico-marine.com)

1250 Gateway Drive  
Gallatin, Tennessee 37066  
615-442-1300





# NABRICO



| No. | DESCRIPTION             | MATERIAL  |
|-----|-------------------------|-----------|
| 1   | DOOR PANEL ASSEMBLY     | STEEL     |
| 2   | COAMING ASSEMBLY        | STEEL     |
| 3   | STIFFENER BAR           | STEEL     |
| 4   | DOOR GASKET             | NEOPRENE  |
| 5   | DOGGING HANDLE ASSEMBLY | STEEL     |
| 6   | HINGE PIN ASSEMBLY      | STAINLESS |
| 7   | GRAB HANDLE             | STEEL     |
| 8   | LOCKING HASP            | STEEL     |
| 9   | STRAIGHT HANDLE         | STEEL     |
| 10  | HANDLE SHAFT            | STEEL     |
| 11  | JAM NUT                 | STEEL     |
| 12  | BUSHING                 | NYLON     |
| 13  | PACKING                 | GRAPHITE  |
| 14  | DOGGING HANDLE          | STEEL     |
| 15  | DOOR CENTERING LUG      | STEEL     |

THE DOOR SHOWN IN THE DRAWING IS CONSIDERED A LEFT HAND DOOR WITH THE HINGE AREA POSITIONED ON THE LEFT SIDE.

A RIGHT HAND DOOR WOULD BE THE OPPOSITE WITH THE HINGE AREA POSITIONED ON THE RIGHT SIDE.

LEFT HAND 4 DOG DOOR SPECIFICATION TABLE

| MODEL No.   | PART No. | SIZE     | A      | B       | CUT-OUT DIMS. |         |        | WT KG |
|-------------|----------|----------|--------|---------|---------------|---------|--------|-------|
|             |          |          |        |         | A             | B       | RAD.   |       |
| DF-605-2460 | 100875   | 610x1524 | 610 mm | 1524 mm | 686 mm        | 1600 mm | 279 mm | 132   |
| DF-605-2464 | 100980   | 610x1626 | 610 mm | 1626 mm | 686 mm        | 1702 mm | 279 mm | 141   |
| DF-605-2472 | 100877   | 610x1829 | 610 mm | 1829 mm | 686 mm        | 1905 mm | 279 mm | 150   |
| DF-605-2660 | 100185   | 660x1524 | 660 mm | 1524 mm | 737 mm        | 1600 mm | 279 mm | 145   |
| DF-605-2866 | 100851   | 711x1676 | 711 mm | 1676 mm | 787 mm        | 1753 mm | 279 mm | 159   |
| DF-605-2872 | 100977   | 711x1829 | 711 mm | 1829 mm | 787 mm        | 1905 mm | 279 mm | 175   |
| DF-605-3054 | 100856   | 762x1372 | 762 mm | 1372 mm | 838 mm        | 1448 mm | 279 mm | 141   |
| DF-605-3060 | 100193   | 762x1524 | 762 mm | 1524 mm | 838 mm        | 1600 mm | 279 mm | 159   |
| DF-605-3072 | 100990   | 762x1829 | 762 mm | 1829 mm | 838 mm        | 1905 mm | 279 mm | 181   |
| DF-605-3666 | 100862   | 914x1676 | 914 mm | 1676 mm | 991 mm        | 1753 mm | 279 mm | 186   |
| DF-605-3672 | 100868   | 914x1829 | 914 mm | 1829 mm | 991 mm        | 1905 mm | 279 mm | 204   |

RIGHT HAND 4 DOG DOOR SPECIFICATION TABLE

| MODEL No.   | PART No. | SIZE     | A      | B       | CUT-OUT DIMS. |         |        | WT KG |
|-------------|----------|----------|--------|---------|---------------|---------|--------|-------|
|             |          |          |        |         | A             | B       | RAD.   |       |
| DF-605-2460 | 100182   | 610x1524 | 610 mm | 1524 mm | 686 mm        | 1600 mm | 279 mm | 132   |
| DF-605-2464 | 100981   | 610x1626 | 610 mm | 1626 mm | 686 mm        | 1702 mm | 279 mm | 141   |
| DF-605-2472 | 100878   | 610x1829 | 610 mm | 1829 mm | 686 mm        | 1905 mm | 279 mm | 150   |
| DF-605-2660 | 100186   | 660x1524 | 660 mm | 1524 mm | 737 mm        | 1600 mm | 279 mm | 145   |
| DF-605-2866 | 100852   | 711x1676 | 711 mm | 1676 mm | 787 mm        | 1753 mm | 279 mm | 159   |
| DF-605-2872 | 100978   | 711x1829 | 711 mm | 1829 mm | 787 mm        | 1905 mm | 279 mm | 175   |
| DF-605-3054 | 100857   | 762x1372 | 762 mm | 1372 mm | 838 mm        | 1448 mm | 279 mm | 141   |
| DF-605-3060 | 100194   | 762x1524 | 762 mm | 1524 mm | 838 mm        | 1600 mm | 279 mm | 159   |
| DF-605-3072 | 100991   | 762x1829 | 762 mm | 1829 mm | 838 mm        | 1905 mm | 279 mm | 181   |
| DF-605-3666 | 100863   | 914x1676 | 914 mm | 1676 mm | 991 mm        | 1753 mm | 279 mm | 186   |
| DF-605-3672 | 100869   | 914x1829 | 914 mm | 1829 mm | 991 mm        | 1905 mm | 279 mm | 204   |

## 4 DOG WEATHERTIGHT DOOR

**Nabrico Products**  
[www.nabrico-marine.com](http://www.nabrico-marine.com)

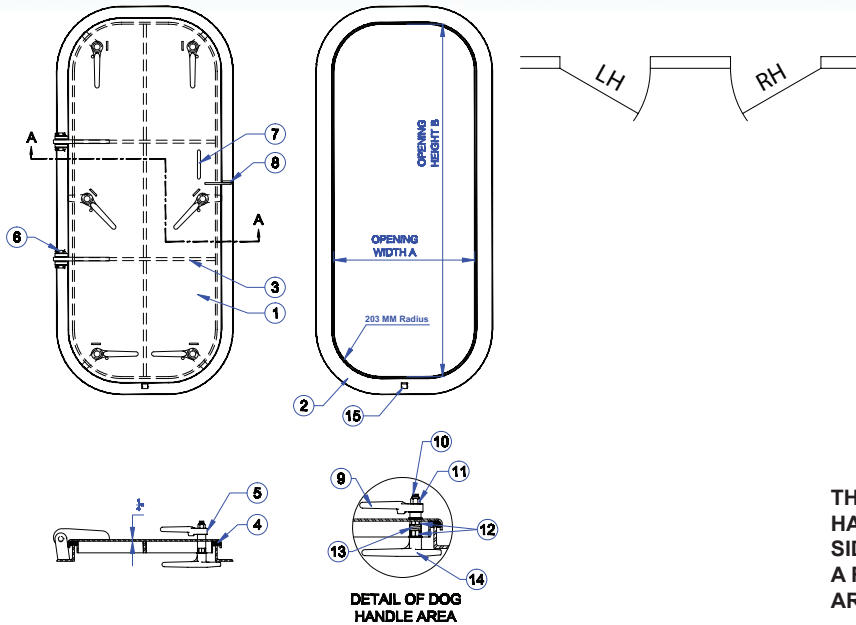
50

1250 Gateway Drive  
 Gallatin, Tennessee 37066  
 615-442-1300

The specifications and details described by drawings or text in this literature are subject to change without notice.



# NABRICO



| No. | DESCRIPTION             | MATERIAL  |
|-----|-------------------------|-----------|
| 1   | DOOR PANEL ASSEMBLY     | STEEL     |
| 2   | COAMING ASSEMBLY        | STEEL     |
| 3   | STIFFENER BAR           | STEEL     |
| 4   | DOOR GASKET             | NEOPRENE  |
| 5   | DOGGING HANDLE ASSEMBLY | STEEL     |
| 6   | HINGE PIN ASSEMBLY      | STAINLESS |
| 7   | GRAB HANDLE             | STEEL     |
| 8   | LOCKING HASP            | STEEL     |
| 9   | STRAIGHT HANDLE         | STEEL     |
| 10  | HANDLE SHAFT            | STEEL     |
| 11  | JAM NUT                 | STEEL     |
| 12  | BUSHING                 | NYLON     |
| 13  | PACKING                 | GRAPHITE  |
| 14  | DOGGING HANDLE          | STEEL     |
| 15  | DOOR CENTERING LUG      | STEEL     |

THE DOOR SHOWN IN THE DRAWING IS CONSIDERED A LEFT HAND DOOR WITH THE HINGE AREA POSITIONED ON THE LEFT SIDE.  
A RIGHT HAND DOOR WOULD BE THE OPPOSITE WITH THE HINGE AREA POSITIONED ON THE RIGHT SIDE.

| LEFT HAND 6 DOG DOOR SPECIFICATION TABLE |          |          |        |         |               |         |        |       |
|--|----------|----------|--------|---------|---------------|---------|--------|-------|
| MODEL No.                                | PART No. | SIZE     | A      | B       | CUT-OUT DIMS. |         |        | WT KG |
|  |          |          |        |         | A             | B       | RAD    |       |
| DF-600-2454                              | 100114   | 610x1372 | 610 mm | 1372 mm | 686 mm        | 1448 mm | 279 mm | 135   |
| DF-600-2460                              | 100116   | 610x1524 | 610 mm | 1524 mm | 686 mm        | 1600 mm | 279 mm | 144   |
| DF-600-2472                              | 100120   | 610x1829 | 610 mm | 1829 mm | 686 mm        | 1905 mm | 279 mm | 152   |
| DF-600-2866                              | 100127   | 711x1676 | 711 mm | 1676 mm | 787 mm        | 1753 mm | 279 mm | 163   |
| DF-600-2872                              | 100131   | 711x1829 | 711 mm | 1829 mm | 787 mm        | 1905 mm | 279 mm | 178   |
| DF-600-3054                              | 100134   | 762x1372 | 762 mm | 1372 mm | 838 mm        | 1448 mm | 279 mm | 143   |
| DF-600-3060                              | 100138   | 762x1524 | 762 mm | 1524 mm | 838 mm        | 1600 mm | 279 mm | 163   |
| DF-600-3066                              | 100197   | 762x1676 | 762 mm | 1676 mm | 838 mm        | 1753 mm | 279 mm | 168   |
| DF-600-3072                              | 100143   | 762x1829 | 762 mm | 1829 mm | 838 mm        | 1905 mm | 279 mm | 186   |
| DF-600-3666                              | 100148   | 914x1676 | 914 mm | 1676 mm | 991 mm        | 1753 mm | 279 mm | 191   |
| DF-600-3672                              | 100152   | 914x1829 | 914 mm | 1829 mm | 991 mm        | 1905 mm | 279 mm | 209   |

| RIGHT HAND 6 DOG DOOR SPECIFICATION TABLE |          |          |        |         |               |         |        |       |
|---|----------|----------|--------|---------|---------------|---------|--------|-------|
| MODEL No.                                 | PART No. | SIZE     | A      | B       | CUT-OUT DIMS. |         |        | WT KG |
|   |          |          |        |         | A             | B       | RAD    |       |
| DF-600-2454                               | 100115   | 610x1372 | 610 mm | 1372 mm | 686 mm        | 1448 mm | 279 mm | 135   |
| DF-600-2460                               | 100117   | 610x1524 | 610 mm | 1524 mm | 686 mm        | 1600 mm | 279 mm | 144   |
| DF-600-2472                               | 100121   | 610x1829 | 610 mm | 1829 mm | 686 mm        | 1905 mm | 279 mm | 152   |
| DF-600-2866                               | 100128   | 711x1676 | 711 mm | 1676 mm | 787 mm        | 1753 mm | 279 mm | 163   |
| DF-600-2872                               | 100132   | 711x1829 | 711 mm | 1829 mm | 787 mm        | 1905 mm | 279 mm | 178   |
| DF-600-3054                               | 100135   | 762x1372 | 762 mm | 1372 mm | 838 mm        | 1448 mm | 279 mm | 143   |
| DF-600-3060                               | 100139   | 762x1524 | 762 mm | 1524 mm | 838 mm        | 1600 mm | 279 mm | 163   |
| DF-600-3066                               | 100142   | 762x1676 | 762 mm | 1676 mm | 838 mm        | 1753 mm | 279 mm | 168   |
| DF-600-3072                               | 100144   | 762x1829 | 762 mm | 1829 mm | 838 mm        | 1905 mm | 279 mm | 186   |
| DF-600-3666                               | 100149   | 914x1676 | 914 mm | 1676 mm | 991 mm        | 1753 mm | 279 mm | 191   |
| DF-600-3672                               | 100153   | 914x1829 | 914 mm | 1829 mm | 991 mm        | 1905 mm | 279 mm | 209   |

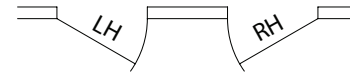
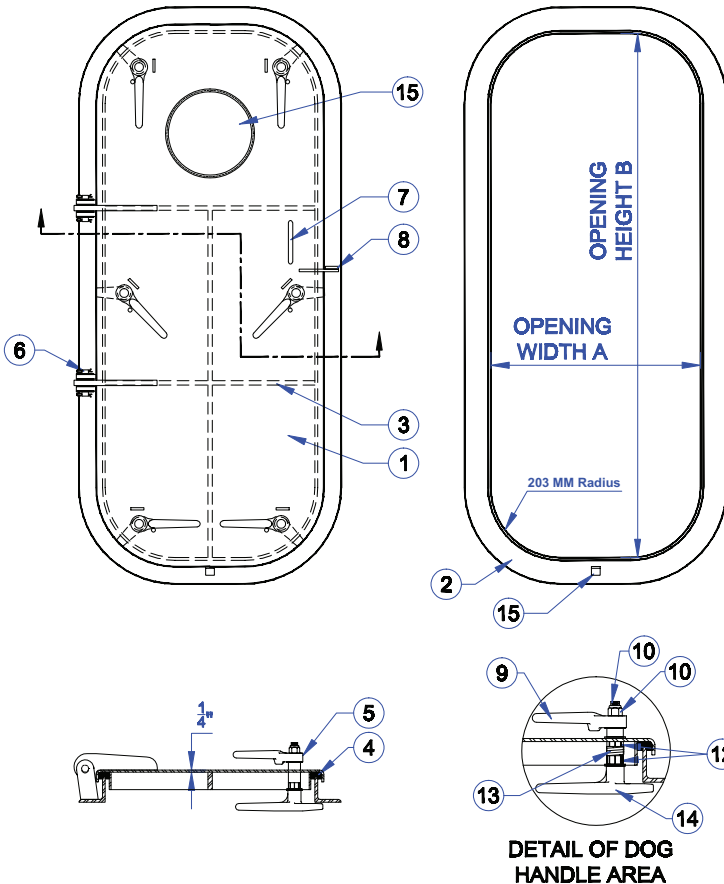
## 6 DOG WEATHERTIGHT DOOR

**Nabrico Products**  
www.nabrico-marine.com

1250 Gateway Drive  
Gallatin, Tennessee 37066  
615-442-1300



# NABRICO



| No. | DESCRIPTION             | MATERIAL  |
|-----|-------------------------|-----------|
| 1   | DOOR PANEL ASSEMBLY     | STEEL     |
| 2   | COAMING ASSEMBLY        | STEEL     |
| 3   | STIFFENER BAR           | STEEL     |
| 4   | DOOR GASKET             | NEOPRENE  |
| 5   | DOGGING HANDLE ASSEMBLY | STEEL     |
| 6   | HINGE PIN ASSEMBLY      | STAINLESS |
| 7   | GRAB HANDLE             | STEEL     |
| 8   | LOCKING HASP            | STEEL     |
| 9   | STRAIGHT HANDLE         | STEEL     |
| 10  | HANDLE SHAFT            | STEEL     |
| 11  | JAM NUT                 | STEEL     |
| 12  | BUSHING                 | NYLON     |
| 13  | PACKING                 | GRAPHITE  |
| 14  | DOGGING HANDLE          | STEEL     |
| 15  | DOOR CENTERING LUG      | STEEL     |
| 16  | 10" FIXED PORTLIGHT     | STEEL     |

THE DOOR SHOWN IN THE DRAWING IS CONSIDERED A LEFT HAND DOOR WITH THE HINGE AREA POSITIONED ON THE LEFT SIDE. A RIGHT HAND DOOR WOULD BE THE OPPOSITE WITH THE HINGE AREA POSITIONED ON THE RIGHT SIDE.

ALL NABRICO DOOR STYLES ARE AVAILABLE WITH A VARIETY OF DIFFERENT TYPES AND SIZES OF PORTLIGHTS. A FEW OF THE MOST COMMON TYPES ARE LISTED IN THE TABLES BELOW BUT ARE IN NO WAY RESTRICTED TO WHAT IS CALLED OUT ON THIS PAGE. SOME OF THE AVAILABLE OPTIONS INCLUDE: WELD-IN OR BOLT-ON, FIXED OR NON-FIXED, AND WITH COVERS. PLEASE REFER TO THE PORTLIGHT SECTION OF THIS CATALOG FOR ALL TYPES AND SIZES AVAILABLE FROM NABRICO.

| LEFT HAND 6 DOG DOOR SPECIFICATION TABLE |          |          |        |         |               |         |        |       |
|--|----------|----------|--------|---------|---------------|---------|--------|-------|
| MODEL No.                                | PART No. | SIZE     | A      | B       | CUT-OUT DIMS. |         |        | WT KG |
|  |          |          |        |         | A             | B       | RAD    |       |
| DF-600-3054                              | 100190   | 762x1372 | 762 mm | 1372 mm | 838 mm        | 1448 mm | 279 mm | 150   |
| DF-600-3060                              | 100195   | 762x1524 | 762 mm | 1524 mm | 838 mm        | 1600 mm | 279 mm | 172   |

| RIGHT HAND 6 DOG DOOR SPECIFICATION TABLE |          |          |        |         |               |         |        |       |
|---|----------|----------|--------|---------|---------------|---------|--------|-------|
| MODEL No.                                 | PART No. | SIZE     | A      | B       | CUT-OUT DIMS. |         |        | WT KG |
|   |          |          |        |         | A             | B       | RAD    |       |
| DF-600-3054                               | 100191   | 762x1372 | 762 mm | 1372 mm | 838 mm        | 1448 mm | 279 mm | 150   |
| DF-600-3060                               | 100196   | 762x1524 | 762 mm | 1524 mm | 838 mm        | 1600 mm | 279 mm | 172   |

## DOOR WITH FIXED PORTLIGHT

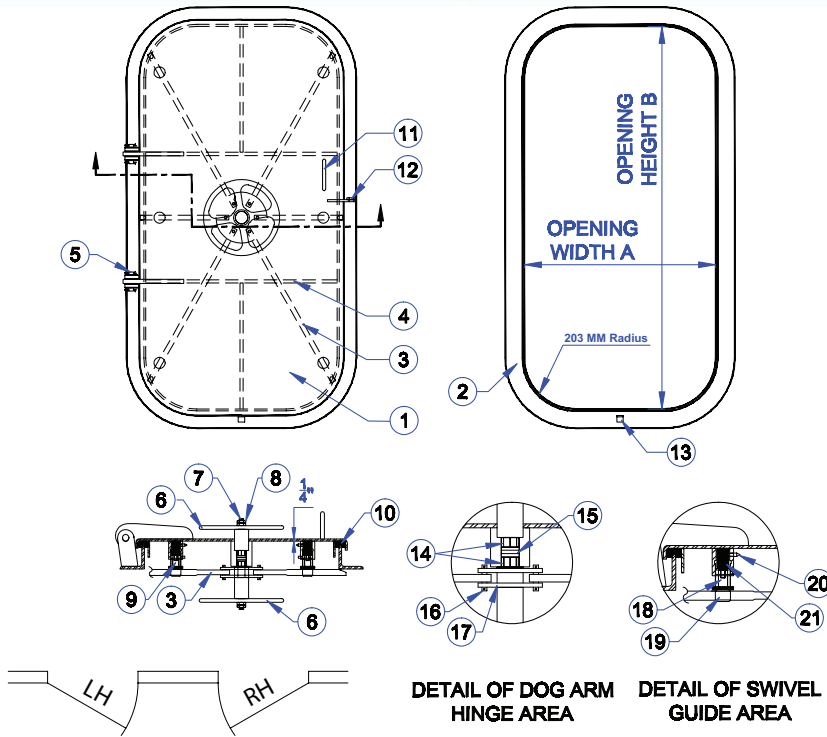
**Nabrico Products**  
[www.nabrico-marine.com](http://www.nabrico-marine.com)

1250 Gateway Drive  
 Gallatin, Tennessee 37066  
 615-442-1300





# NABRICO



| No. | DESCRIPTION             | MATERIAL  |
|-----|-------------------------|-----------|
| 1   | DOOR PANEL ASSEMBLY     | STEEL     |
| 2   | COAMING ASSEMBLY        | STEEL     |
| 3   | DOG ARM                 | STAINLESS |
| 4   | STIFFENER BAR           | STEEL     |
| 5   | HINGE PIN ASSEMBLY      | STAINLESS |
| 6   | HANDWHEEL ASSEMBLY      | STEEL     |
| 7   | CENTER SHAFT            | STAINLESS |
| 8   | JAM NUT                 | STAINLESS |
| 9   | SWIVEL GUIDE ASSEMBLY   | -         |
| 10  | DOOR GASKET             | NEOPRENE  |
| 11  | GRAB HANDLE             | STEEL     |
| 12  | LOCKING HASP            | STEEL     |
| 13  | DOOR CENTERING LUG      | STEEL     |
| 14  | BUSHING                 | NYLON     |
| 15  | PACKING                 | GRAPHITE  |
| 16  | DOG ARM PIN             | STEEL     |
| 17  | ROTATING BLOCK ASSEMBLY | STEEL     |
| 18  | ADJUSTMENT BUTTON       | STEEL     |
| 19  | SWIVEL GUIDE            | BRASS     |
| 20  | GREASE FITTING          | STAINLESS |
| 21  | SWIVEL GUIDE SPRING     | STAINLESS |

THE DOOR SHOWN IN THE DRAWING IS CONSIDERED A LEFT HAND DOOR WITH THE HINGE AREA POSITIONED ON THE LEFT SIDE.

A RIGHT HAND DOOR WOULD BE THE OPPOSITE WITH THE HINGE AREA POSITIONED ON THE RIGHT SIDE.

| LEFT HAND QUICK ACTING DOOR SPECIFICATION TABLE |          |          |        |         |               |         |        |       |
|---|----------|----------|--------|---------|---------------|---------|--------|-------|
| MODEL No.                                       | PART No. | SIZE     | A      | B       | CUT-OUT DIMS. |         |        | WT KG |
|   |          |          |        |         | A             | B       | RAD    |       |
| DF-610-2460                                     | 100118   | 610x1524 | 610 mm | 1524 mm | 686 mm        | 1600 mm | 279 mm | 198   |
| DF-610-2472                                     | 100122   | 610x1829 | 610 mm | 1829 mm | 686 mm        | 1905 mm | 279 mm | 205   |
| DF-610-2866                                     | 100129   | 711x1676 | 711 mm | 1676 mm | 787 mm        | 1753 mm | 279 mm | 203   |
| DF-610-2872                                     | 100133   | 711x1829 | 711 mm | 1829 mm | 787 mm        | 1905 mm | 279 mm | 239   |
| DF-610-3054                                     | 100192   | 762x1372 | 762 mm | 1372 mm | 838 mm        | 1448 mm | 279 mm | 196   |
| DF-610-3060                                     | 100140   | 762x1524 | 762 mm | 1524 mm | 838 mm        | 1600 mm | 279 mm | 218   |
| DF-610-3072                                     | 100198   | 762x1829 | 762 mm | 1829 mm | 838 mm        | 1905 mm | 279 mm | 227   |
| DF-610-3666                                     | 100150   | 914x1676 | 914 mm | 1676 mm | 991 mm        | 1753 mm | 279 mm | 243   |
| DF-610-3672                                     | 100154   | 914x1829 | 914 mm | 1829 mm | 991 mm        | 1905 mm | 279 mm | 263   |

| RIGHT HAND QUICK ACTING DOOR SPECIFICATION TABLE |          |          |        |         |               |         |        |       |
|--|----------|----------|--------|---------|---------------|---------|--------|-------|
| MODEL No.  | PART No. | SIZE     | A      | B       | CUT-OUT DIMS. |         |        | WT KG |
|  |          |          |        |         | A             | B       | RAD    |       |
| DF-610-2460                                      | 100119   | 610x1524 | 610 mm | 1524 mm | 686 mm        | 1600 mm | 279 mm | 198   |
| DF-610-2472                                      | 100124   | 610x1829 | 610 mm | 1829 mm | 686 mm        | 1905 mm | 279 mm | 205   |
| DF-610-2866                                      | 100130   | 711x1676 | 711 mm | 1676 mm | 787 mm        | 1753 mm | 279 mm | 203   |
| DF-610-2872                                      | 100187   | 711x1829 | 711 mm | 1829 mm | 787 mm        | 1905 mm | 279 mm | 239   |
| DF-610-3054                                      | 100136   | 762x1372 | 762 mm | 1372 mm | 838 mm        | 1448 mm | 279 mm | 196   |
| DF-610-3060                                      | 100141   | 762x1524 | 762 mm | 1524 mm | 838 mm        | 1600 mm | 279 mm | 218   |
| DF-610-3072                                      | 100145   | 762x1829 | 762 mm | 1829 mm | 838 mm        | 1905 mm | 279 mm | 227   |
| DF-610-3666                                      | 100151   | 914x1676 | 914 mm | 1676 mm | 991 mm        | 1753 mm | 279 mm | 243   |
| DF-610-3672                                      | 100155   | 914x1829 | 914 mm | 1829 mm | 991 mm        | 1905 mm | 279 mm | 263   |

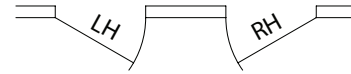
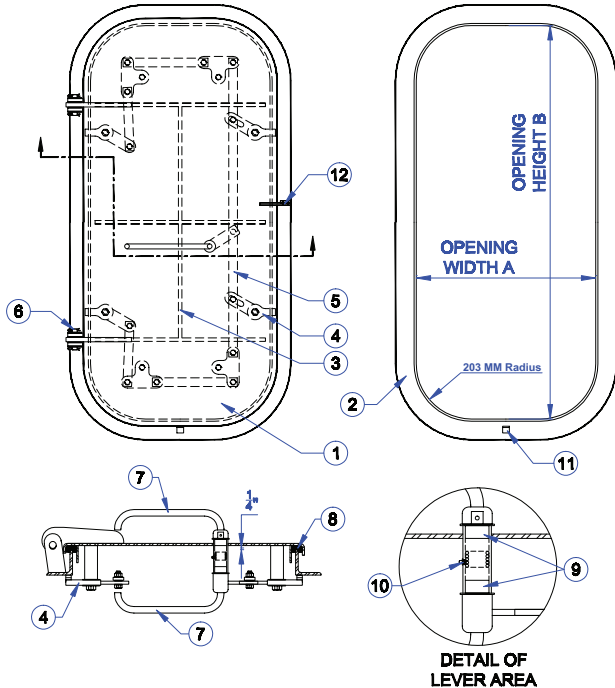
## QUICK ACTING WEATHERTIGHT DOOR

**Nabrico Products**  
[www.nabrico-marine.com](http://www.nabrico-marine.com)

1250 Gateway Drive  
 Gallatin, Tennessee 37066  
 615-442-1300



# NABRICO



| No. | DESCRIPTION         | MATERIAL  |
|-----|---------------------|-----------|
| 1   | DOOR PANEL ASSEMBLY | STEEL     |
| 2   | COAMING ASSEMBLY    | STEEL     |
| 3   | STIFFENER BAR       | STEEL     |
| 4   | DOG LEVER ASSEMBLY  | STAINLESS |
| 5   | DOG CONNECTOR BAR   | STAINLESS |
| 6   | HINGE PIN ASSEMBLY  | STAINLESS |
| 7   | HAND LEVER ASSEMBLY | STAINLESS |
| 8   | DOOR GASKET         | NEOPRENE  |
| 9   | BUSHING             | NYLON     |
| 10  | GREASE FITTING      | STAINLESS |
| 11  | DOOR CENTERING LUG  | STEEL     |
| 12  | LOCKING HASP        | STEEL     |

THE DOOR SHOWN IN THE DRAWING IS CONSIDERED A LEFT HAND DOOR WITH THE HINGE AREA POSITIONED ON THE LEFT SIDE.

A RIGHT HAND DOOR WOULD BE THE OPPOSITE WITH THE HINGE AREA POSITIONED ON THE RIGHT SIDE.

**LEFT HAND SINGLE LEVER (4 DOG) DOOR SPECIFICATION TABLE**

| MODEL No.   | SIZE         | A         | B          | CUT-OUT DIMS. |            |           | WT KG |
|-------------|--------------|-----------|------------|---------------|------------|-----------|-------|
|             |              |           |            | A             | B          | RAD       |       |
| DF-635-2460 | 610x<br>1524 | 610<br>mm | 1524<br>mm | 686<br>mm     | 1600<br>mm | 279<br>mm | 196   |
| DF-635-2472 | 610x<br>1829 | 610<br>mm | 1829<br>mm | 686<br>mm     | 1905<br>mm | 279<br>mm | 202   |
| DF-635-2866 | 711x<br>1676 | 711<br>mm | 1676<br>mm | 787<br>mm     | 1753<br>mm | 279<br>mm | 201   |
| DF-635-2872 | 711x<br>1829 | 711<br>mm | 1829<br>mm | 787<br>mm     | 1905<br>mm | 279<br>mm | 236   |
| DF-635-3054 | 762x<br>1372 | 762<br>mm | 1372<br>mm | 838<br>mm     | 1448<br>mm | 279<br>mm | 194   |
| DF-635-3060 | 762x<br>1524 | 762<br>mm | 1524<br>mm | 838<br>mm     | 1600<br>mm | 279<br>mm | 215   |
| DF-635-3072 | 762x<br>1829 | 762<br>mm | 1829<br>mm | 838<br>mm     | 1905<br>mm | 279<br>mm | 225   |
| DF-635-3666 | 914x<br>1676 | 914<br>mm | 1676<br>mm | 991<br>mm     | 1753<br>mm | 279<br>mm | 240   |
| DF-635-3672 | 914x<br>1829 | 914<br>mm | 1829<br>mm | 991<br>mm     | 1905<br>mm | 279<br>mm | 260   |

**RIGHT HAND SINGLE LEVER (4 DOG) DOOR SPECIFICATION TABLE**

| MODEL No.   | SIZE         | A         | B          | CUT-OUT DIMS. |            |           | WT KG |
|-------------|--------------|-----------|------------|---------------|------------|-----------|-------|
|             |              |           |            | A             | B          | RAD       |       |
| DF-635-2460 | 610x<br>1524 | 610<br>mm | 1524<br>mm | 686<br>mm     | 1600<br>mm | 279<br>mm | 196   |
| DF-635-2472 | 610x<br>1829 | 610<br>mm | 1829<br>mm | 686<br>mm     | 1905<br>mm | 279<br>mm | 202   |
| DF-635-2866 | 711x<br>1676 | 711<br>mm | 1676<br>mm | 787<br>mm     | 1753<br>mm | 279<br>mm | 201   |
| DF-635-2872 | 711x<br>1829 | 711<br>mm | 1829<br>mm | 787<br>mm     | 1905<br>mm | 279<br>mm | 236   |
| DF-635-3054 | 762x<br>1372 | 762<br>mm | 1372<br>mm | 838<br>mm     | 1448<br>mm | 279<br>mm | 194   |
| DF-635-3060 | 762x<br>1524 | 762<br>mm | 1524<br>mm | 838<br>mm     | 1600<br>mm | 279<br>mm | 215   |
| DF-635-3072 | 762x<br>1829 | 762<br>mm | 1829<br>mm | 838<br>mm     | 1905<br>mm | 279<br>mm | 225   |
| DF-635-3666 | 914x<br>1676 | 914<br>mm | 1676<br>mm | 991<br>mm     | 1753<br>mm | 279<br>mm | 240   |
| DF-635-3672 | 914x<br>1829 | 914<br>mm | 1829<br>mm | 991<br>mm     | 1905<br>mm | 279<br>mm | 260   |

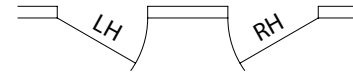
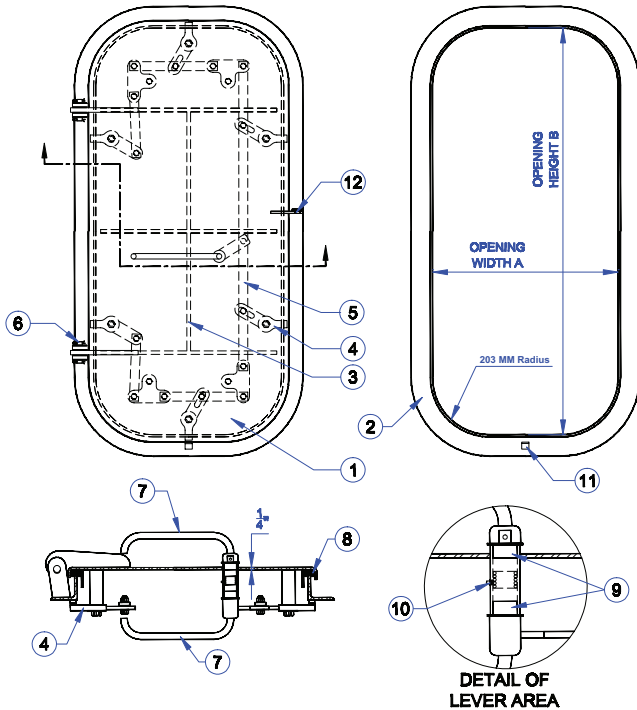
## SINGLE LEVER (4 DOG) WEATHERTIGHT

**Nabrico Products**  
www.nabrico-marine.com

1250 Gateway Drive  
Gallatin, Tennessee 37066  
615-442-1300



# NABRICO



| No. | DESCRIPTION         | MATERIAL  |
|-----|---------------------|-----------|
| 1   | DOOR PANEL ASSEMBLY | STEEL     |
| 2   | COAMING ASSEMBLY    | STEEL     |
| 3   | STIFFENER BAR       | STEEL     |
| 4   | DOG LEVER ASSEMBLY  | STAINLESS |
| 5   | DOG CONNECTOR BAR   | STAINLESS |
| 6   | HINGE PIN ASSEMBLY  | STAINLESS |
| 7   | HAND LEVER ASSEMBLY | STAINLESS |
| 8   | DOOR GASKET         | NEOPRENE  |
| 9   | BUSHING             | NYLON     |
| 10  | GREASE FITTING      | STAINLESS |
| 11  | DOOR CENTERING LUG  | STEEL     |
| 12  | LOCKING HASP        | STEEL     |

THE DOOR SHOWN IN THE DRAWING IS CONSIDERED A LEFT HAND DOOR WITH THE HINGE AREA POSITIONED ON THE LEFT SIDE.

A RIGHT HAND DOOR WOULD BE THE OPPOSITE WITH THE HINGE AREA POSITIONED ON THE RIGHT SIDE.

| LEFT HAND SINGLE LEVER (6 DOG) DOOR SPECIFICATION TABLE |              |           |            |               |            |           |       |
|---|--------------|-----------|------------|---------------|------------|-----------|-------|
| MODEL No.   | SIZE         | A         | B          | CUT-OUT DIMS. |            |           | WT KG |
|   |              |           |            | A             | B          | RAD       |       |
| DF-630-2460   | 610x<br>1524 | 610<br>mm | 1524<br>mm | 686<br>mm     | 1600<br>mm | 279<br>mm | 198   |
| DF-630-2472   | 610x<br>1829 | 610<br>mm | 1829<br>mm | 686<br>mm     | 1905<br>mm | 279<br>mm | 205   |
| DF-630-2866   | 711x<br>1676 | 711<br>mm | 1676<br>mm | 787<br>mm     | 1753<br>mm | 279<br>mm | 203   |
| DF-630-2872   | 711x<br>1829 | 711<br>mm | 1829<br>mm | 787<br>mm     | 1905<br>mm | 279<br>mm | 239   |
| DF-630-3054   | 762x<br>1372 | 762<br>mm | 1372<br>mm | 838<br>mm     | 1448<br>mm | 279<br>mm | 196   |
| DF-630-3060   | 762x<br>1524 | 762<br>mm | 1524<br>mm | 838<br>mm     | 1600<br>mm | 279<br>mm | 218   |
| DF-630-3072   | 762x<br>1829 | 762<br>mm | 1829<br>mm | 838<br>mm     | 1905<br>mm | 279<br>mm | 227   |
| DF-630-3666   | 914x<br>1676 | 914<br>mm | 1676<br>mm | 991<br>mm     | 1753<br>mm | 279<br>mm | 243   |
| DF-630-3672   | 914x<br>1829 | 914<br>mm | 1829<br>mm | 991<br>mm     | 1905<br>mm | 279<br>mm | 263   |

| RIGHT HAND SINGLE LEVER (6 DOG) DOOR SPECIFICATION TABLE |              |           |            |               |            |           |       |
|--|--------------|-----------|------------|---------------|------------|-----------|-------|
| MODEL No.  | SIZE         | A         | B          | CUT-OUT DIMS. |            |           | WT KG |
|  |              |           |            | A             | B          | RAD       |       |
| DF-630-2460  | 610x<br>1524 | 610<br>mm | 1524<br>mm | 686<br>mm     | 1600<br>mm | 279<br>mm | 198   |
| DF-630-2472  | 610x<br>1829 | 610<br>mm | 1829<br>mm | 686<br>mm     | 1905<br>mm | 279<br>mm | 205   |
| DF-630-2866  | 711x<br>1676 | 711<br>mm | 1676<br>mm | 787<br>mm     | 1753<br>mm | 279<br>mm | 203   |
| DF-630-2872  | 711x<br>1829 | 711<br>mm | 1829<br>mm | 787<br>mm     | 1905<br>mm | 279<br>mm | 239   |
| DF-630-3054  | 762x<br>1372 | 762<br>mm | 1372<br>mm | 838<br>mm     | 1448<br>mm | 279<br>mm | 196   |
| DF-630-3060  | 762x<br>1524 | 762<br>mm | 1524<br>mm | 838<br>mm     | 1600<br>mm | 279<br>mm | 218   |
| DF-630-3072  | 762x<br>1829 | 762<br>mm | 1829<br>mm | 838<br>mm     | 1905<br>mm | 279<br>mm | 227   |
| DF-630-3666  | 914x<br>1676 | 914<br>mm | 1676<br>mm | 991<br>mm     | 1753<br>mm | 279<br>mm | 243   |
| DF-630-3672  | 914x<br>1829 | 914<br>mm | 1829<br>mm | 991<br>mm     | 1905<br>mm | 279<br>mm | 263   |

## SINGLE LEVER (6 DOG) WEATHERTIGHT

**Nabrico Products**  
www.nabrico-marine.com

1250 Gateway Drive  
Gallatin, Tennessee 37066  
615-442-1300





# HATCHES

NABRICO puts over 100 years of experience into our hatches. NABRICO's familiarity with water transportation and NABRICO's engineering ingenuity has produced a vast array of hatch options. Whether your needs require a dogged, T-handle, single bolt, twist-lock, multi-bolt, or multi-screw, NABRICO has you covered. NABRICO hatches are produced in a variety of sizes and coaming options. Contact NABRICO to tailor a hatch to your specific needs.



## MULTI-BOLT

|                          |       |
|--------------------------|-------|
| ROUND & OVAL HATCH       | 58-59 |
| ROUND & OVAL 6 PSI       | 60-61 |
| ROUND & OVAL RAISED STUD | 62-63 |
| ROUND & OVAL FLUSH       | 64-67 |
| ROUND & OVAL FLUSH SCREW | 68-69 |
| SQUARE FLUSH SCREW       | 70    |

## FLUSH & RAISED WATERTIGHT

|                    |       |
|--------------------|-------|
| FLUSH WATERTIGHT   | 71-72 |
| RAISED SINGLE BOLT | 73-74 |

## QUICK ACTING

|                           |       |
|---------------------------|-------|
| ESCAPE/SCUTTLE            | 75-76 |
| RAISED/FLUSH QUICK ACTING | 77-79 |

## TWIST LOCK

|                  |    |
|------------------|----|
| FLUSH TWIST LOCK | 80 |
|------------------|----|

## DOGGED

|                          |       |
|--------------------------|-------|
| SINGLE DOG ULLAGE        | 81-82 |
| 3 DOG RAISED             | 83    |
| SINGLE DOG ROUND         | 84    |
| 2 DOG OVAL               | 85-86 |
| 4 DOG ROUND & OVAL       | 87-88 |
| 6 DOG OVAL               | 89    |
| 6 DOG ROUND & OVAL 6 PSI | 90-91 |
| 8 DOG SQUARE             | 92    |
| 2 BOLT OVAL              | 93    |
| VALVE REMOVAL            | 94    |



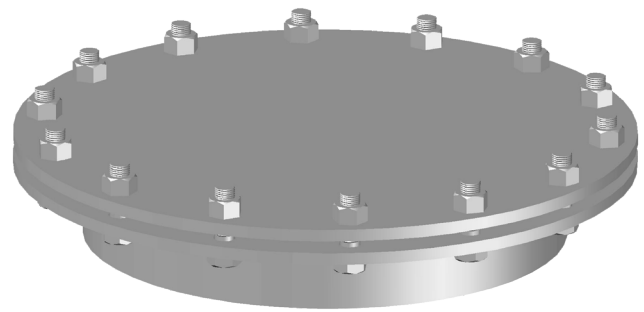
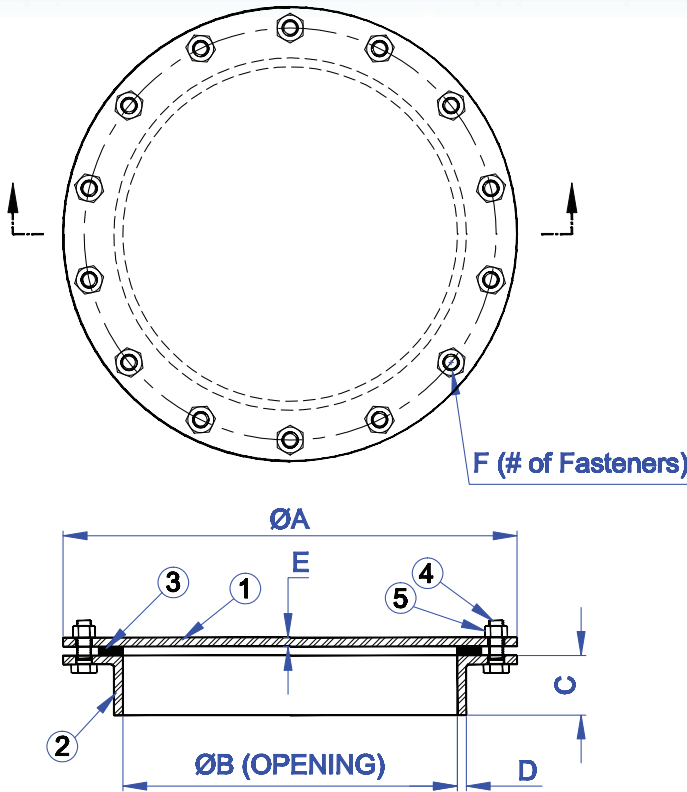
**Nabrico Products**  
[www.nabrico-marine.com](http://www.nabrico-marine.com)

**57**

**1250 Gateway Drive**  
**Gallatin, Tennessee 37066**  
**615-442-1300**



# NABRICO



| PIECE No. | DESCRIPTION   | PART NUMBER |           | MATERIAL |
|-----------|---------------|-------------|-----------|----------|
|           |               | DF-154-14   | DF-154-18 |          |
| 1         | COVER PLATE   | 76767       | 77216     | STEEL    |
| 2         | COAMING       | 76783       | 77232     | STEEL    |
| 3         | GASKET        | 76775       | 77224     | NEOPRENE |
| 4         | HEX HEAD BOLT | 14613       |           | STEEL    |
| 5         | HEX NUT       | 16179       |           | BRASS    |

| MODEL No. | PART No. | SIZE   | ØA     | ØB     | C     | D     | E     | F  | WT. (Kg) |
|-----------|----------|--------|--------|--------|-------|-------|-------|----|----------|
| DF-154-14 | 15407    | 356 mm | 483 mm | 356 mm | 64 mm | 10 mm | 10 mm | 12 | 27       |
| DF-154-18 | 77240    | 457 mm | 584 mm | 457 mm | 64 mm | 10 mm | 10 mm | 16 | 35       |

- 1- ADDITIONAL COAMING HEIGHTS AVAILABLE.
- 2- OTHER BOLT, WASHER AND NUT COMBINATIONS AVAILABLE.
- 3- OTHER GASKET MATERIALS AVAILABLE.

## RAISED MULTI-BOLT CLEAN OUT HATCH

**Nabrico Products**  
[www.nabrico-marine.com](http://www.nabrico-marine.com)

**58**

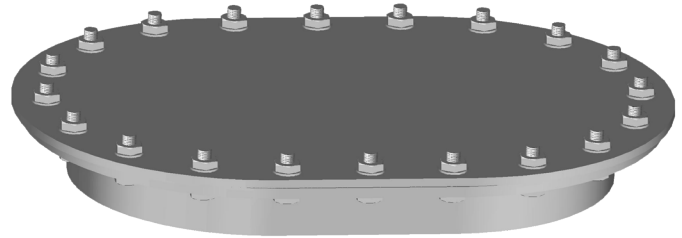
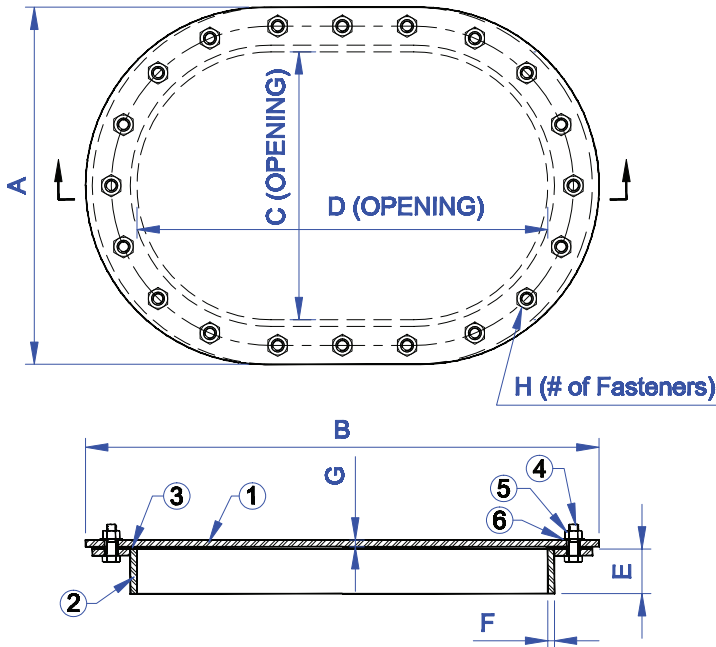
1250 Gateway Drive  
 Gallatin, Tennessee 37066  
 615-442-1300

The specifications and details described by drawings or text in this literature are subject to change without notice.





# NABRICO



| PIECE No. | DESCRIPTION   | PART NUMBER |        | MATERIAL  |
|-----------|---------------|-------------|--------|-----------|
|           |               | DF-501      | DF-502 |           |
| 1         | COVER PLATE   | 21342       | 21350  | STEEL     |
| 2         | COAMING       | 21369       | 21377  | STEEL     |
| 3         | GASKET        | 21385       | 21393  | NEOPRENE  |
| 4         | HEX HEAD BOLT | 14605       |        | STEEL     |
| 5         | HEX NUT       | 21245       |        | STAINLESS |
| 6         | WASHER        | 21237       |        | BRASS     |

| MODEL No. | PART No. | SIZE    | A      | B      | C      | D      | E     | F     | G     | H  | WT. (Kg) |
|-----------|----------|---------|--------|--------|--------|--------|-------|-------|-------|----|----------|
| DF-501    | 21091    | 381x584 | 508 mm | 730 mm | 381 mm | 584 mm | 64 mm | 10 mm | 10 mm | 20 | 39       |
| DF-502    | 21105    | 457x610 | 584 mm | 756 mm | 457 mm | 610 mm | 64 mm | 10 mm | 10 mm | 24 | 48       |

- 1- ADDITIONAL COAMING HEIGHTS AVAILABLE.
- 2- OTHER BOLT, WASHER AND NUT COMBINATIONS AVAILABLE.
- 3- OTHER GASKET MATERIALS AVAILABLE.

## RAISED MULTI-BOLT OVAL HATCH

**Nabrico Products**  
[www.nabrico-marine.com](http://www.nabrico-marine.com)

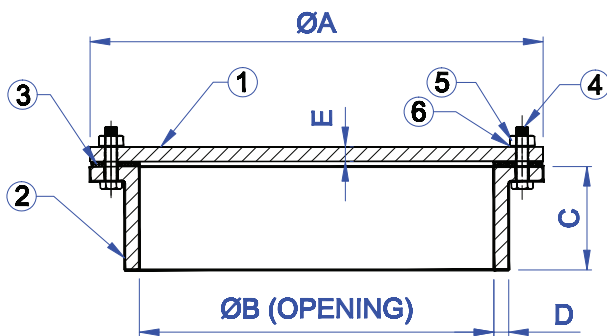
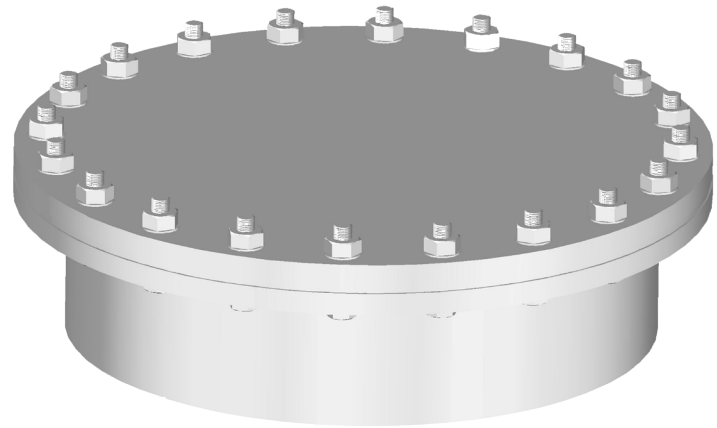
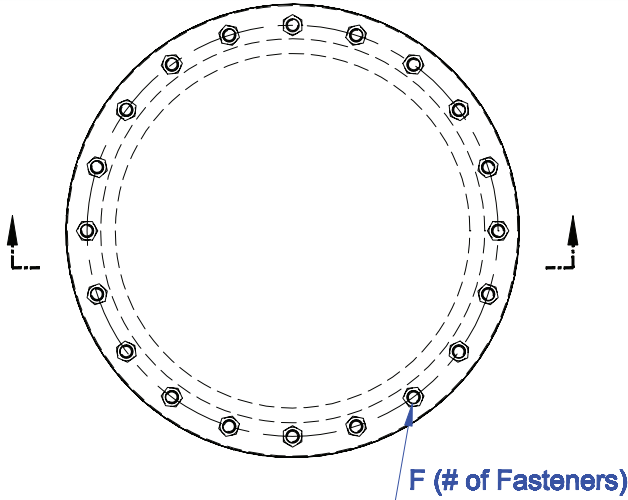
**59**

1250 Gateway Drive  
 Gallatin, Tennessee 37066  
 615-442-1300

The specifications and details described by drawings or text in this literature are subject to change without notice.



# NABRICO



| PIECE No. | DESCRIPTION      | PART No. | MATERIAL  |
|-----------|------------------|----------|-----------|
| 1         | COVER PLATE      | 77228    | STAINLESS |
| 2         | COAMING ASSEMBLY | 77232    | STAINLESS |
| 3         | GASKET           | 77231    | GARLOCK   |
| 4         | HEX HEAD BOLT    | 451      | STAINLESS |
| 5         | HEX NUT          | 452      | STAINLESS |
| 6         | WASHER           | 453      | STAINLESS |

| MODEL No. | PART No. | SIZE   | ØA     | ØB     | C      | D     | E     | F  | WT. (Kg) |
|-----------|----------|--------|--------|--------|--------|-------|-------|----|----------|
| DF-157-18 | 77227    | 457 mm | 584 mm | 457 mm | 127 mm | 10 mm | 19 mm | 20 | 84       |

- 1- OTHER BOLT, NUT AND WASHER COMBINATIONS AVAILABLE.
- 2- OTHER GASKET MATERIALS AVAILABLE.

## RAISED (6 PSI) MULTI-BOLT HATCH

**Nabrico Products**  
[www.nabrico-marine.com](http://www.nabrico-marine.com)

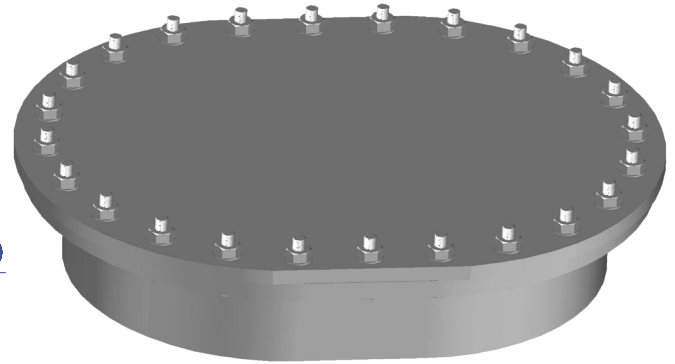
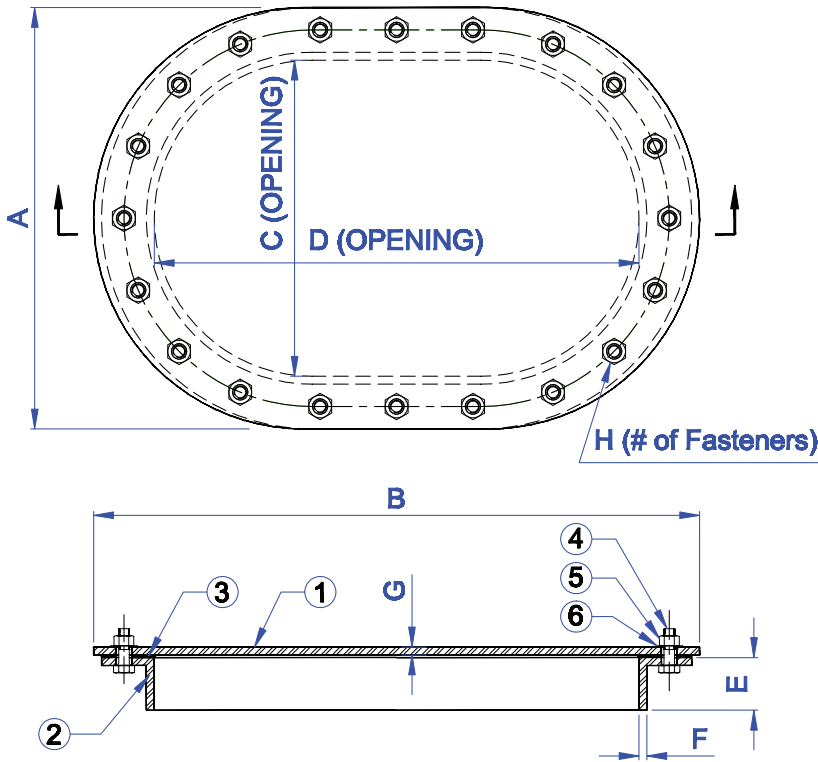
60

1250 Gateway Drive  
 Gallatin, Tennessee 37066  
 615-442-1300

The specifications and details described by drawings or text in this literature are subject to change without notice.



# NABRICO



| PIECE No. | DESCRIPTION   | PART No. | MATERIAL  |
|-----------|---------------|----------|-----------|
| 1         | COVER PLATE   | 21153    | STAINLESS |
| 2         | COAMING       | 21171    | STAINLESS |
| 3         | GASKET        | 21156    | GARLOCK   |
| 4         | HEX HEAD BOLT | 451      | STAINLESS |
| 5         | HEX NUT       | 452      | STAINLESS |
| 6         | WASHER        | 453      | STAINLESS |

| MODEL No. | PART No. | SIZE        | A         | B         | C         | D         | E         | F        | G        | H  | WT. (Kg) |
|-----------|----------|-------------|-----------|-----------|-----------|-----------|-----------|----------|----------|----|----------|
| DF-506    | 21152    | 457x<br>610 | 584<br>mm | 748<br>mm | 457<br>mm | 619<br>mm | 133<br>mm | 10<br>mm | 19<br>mm | 24 | 114      |

- 1- OTHER BOLT, NUT AND WASHER COMBINATIONS AVAILABLE.
- 2- OTHER GASKET MATERIALS AVAILABLE.

## RAISED (6 PSI) MULTI-BOLT OVAL HATCH

**Nabrico Products**  
[www.nabrico-marine.com](http://www.nabrico-marine.com)

61

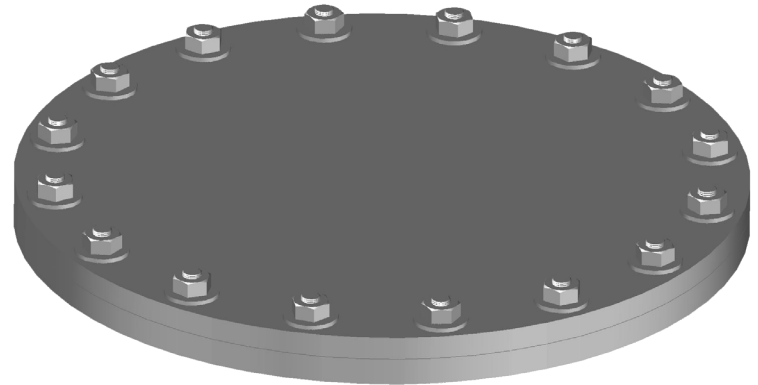
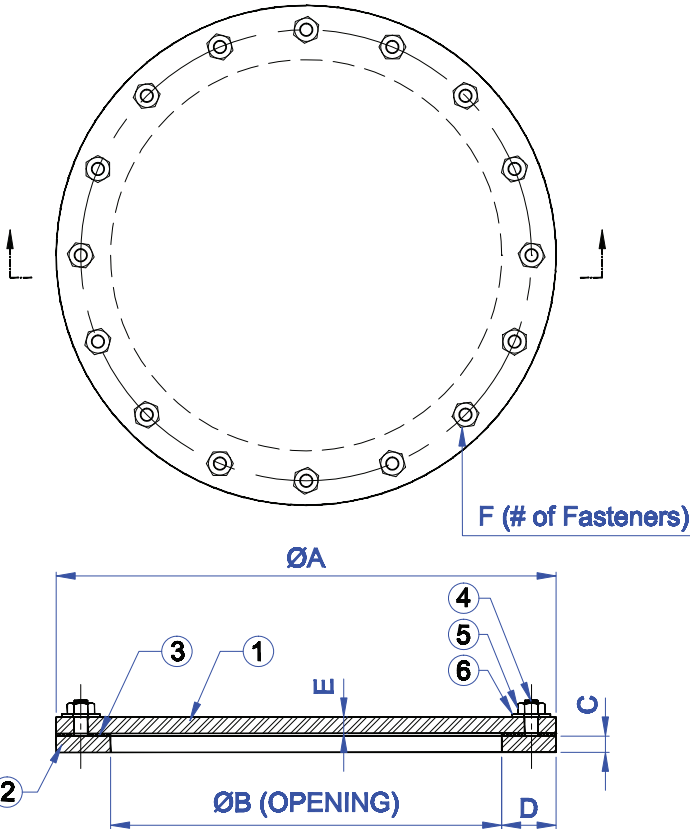
1250 Gateway Drive  
 Gallatin, Tennessee 37066  
 615-442-1300

The specifications and details described by drawings or text in this literature are subject to change without notice.





# NABRICO



| PIECE No. | DESCRIPTION   | MATERIAL  |
|-----------|---------------|-----------|
| 1         | COVER PLATE   | STEEL     |
| 2         | COAMING RING  | STEEL     |
| 3         | GASKET        | NEOPRENE  |
| 4         | THREADED STUD | STAINLESS |
| 5         | HEX NUT       | BRASS     |
| 6         | WASHER        | STAINLESS |

| MODEL No. | PART No. | SIZE   | ØA     | ØB     | C     | D     | E     | F  | WT. (Kg) |
|-----------|----------|--------|--------|--------|-------|-------|-------|----|----------|
| DF-549-18 | 30608    | 457 mm | 597 mm | 470 mm | 51 mm | 64 mm | 19 mm | 16 | 45       |
| DF-549-20 | 30610    | 508 mm | 648 mm | 521 mm | 51 mm | 64 mm | 19 mm | 18 | 52       |

1- OTHER GASKET MATERIALS AVAILABLE.

## RAISED MULTI-STUD ROUND HATCH

**Nabrico Products**  
[www.nabrico-marine.com](http://www.nabrico-marine.com)

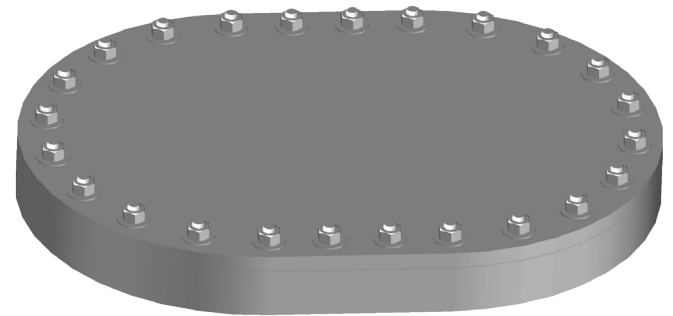
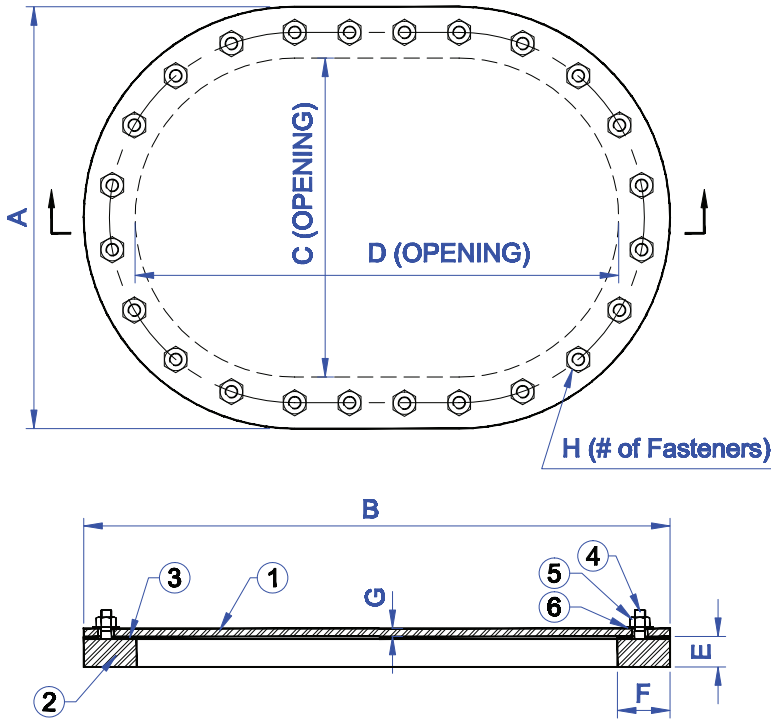
62

1250 Gateway Drive  
 Gallatin, Tennessee 37066  
 615-442-1300

The specifications and details described by drawings or text in this literature are subject to change without notice.



# NABRICO



| PIECE No. | DESCRIPTION   | PART No.    |             | MATERIAL  |
|-----------|---------------|-------------|-------------|-----------|
|           |               | DF-548-1523 | DF-548-2230 |           |
| 1         | COVER PLATE   | 93203       | 93300       | STEEL     |
| 2         | COAMING RING  | 93211       | 93319       | STEEL     |
| 3         | GASKET        | 93238       | 93327       | NEOPRENE  |
| 4         | THREADED STUD | 93246       |             | STAINLESS |
| 5         | HEX NUT       | 16179       |             | BRASS     |
| 6         | WASHER        | 453         |             | STAINLESS |

| MODEL No.   | PART No. | SIZE        | A         | B         | C         | D         | E        | F        | G        | H  | WT. (Kg) |
|-------------|----------|-------------|-----------|-----------|-----------|-----------|----------|----------|----------|----|----------|
| DF-548-1523 | 93149    | 381x<br>584 | 521<br>mm | 724<br>mm | 394<br>mm | 597<br>mm | 51<br>mm | 64<br>mm | 19<br>mm | 24 | 50       |
| DF-548-2230 | 93297    | 559x<br>762 | 699<br>mm | 902<br>mm | 572<br>mm | 775<br>mm | 51<br>mm | 64<br>mm | 19<br>mm | 32 | 69       |

1- OTHER GASKET MATERIALS AVAILABLE.

## RAISED MULTI-STUD OVAL HATCH

**Nabrico Products**  
www.nabrico-marine.com

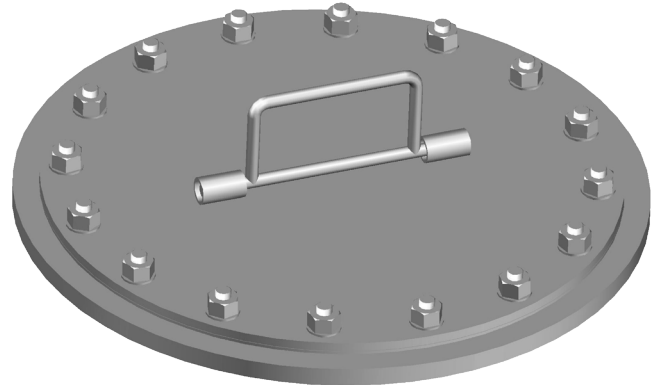
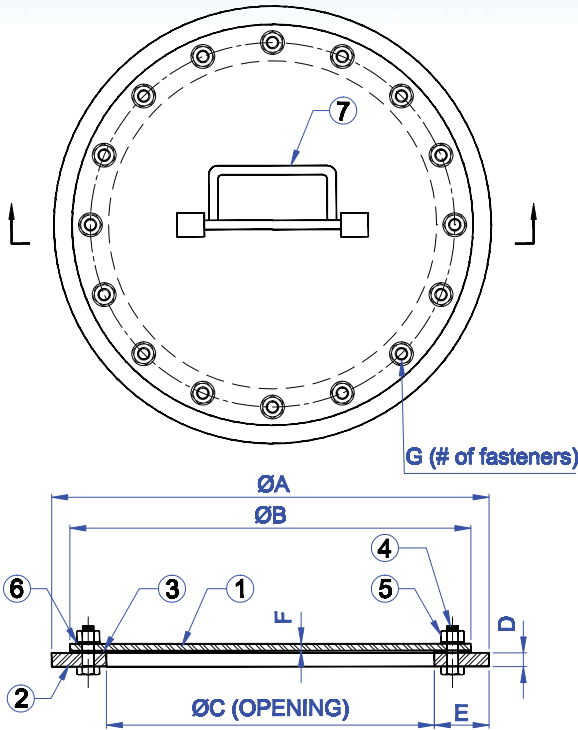
63

1250 Gateway Drive  
Gallatin, Tennessee 37066  
615-442-1300

The specifications and details described by drawings or text in this literature are subject to change without notice.



# NABRICO



| PIECE No. | DESCRIPTION   | MATERIAL  |
|-----------|---------------|-----------|
| 1         | COVER PLATE   | STEEL     |
| 2         | DECK RING     | STEEL     |
| 3         | GASKET        | NEOPRENE  |
| 4         | HEX HEAD BOLT | STEEL     |
| 5         | HEX NUT       | STAINLESS |
| 6         | WASHER        | BRASS     |
| 7         | GRAB HANDLE   | STEEL     |

| MODEL No. | PART No. | SIZE   | ØA     | ØB     | ØC     | D     | E     | F     | G  | WT. (Kg) |
|-----------|----------|--------|--------|--------|--------|-------|-------|-------|----|----------|
| DF-155-14 | 21127    | 356 mm | 508 mm | 445 mm | 356 mm | 19 mm | 76 mm | 10 mm | 14 | 34       |
| DF-155-18 | 21151    | 457 mm | 610 mm | 546 mm | 457 mm | 19 mm | 76 mm | 10 mm | 16 | 41       |
| DF-155-20 | 21155    | 508 mm | 660 mm | 597 mm | 508 mm | 19 mm | 76 mm | 10 mm | 18 | 45       |

1- OTHER GASKET MATERIALS AVAILABLE.

## FLUSH MULTI-BOLT CLEAN OUT HATCH

**Nabrico Products**  
[www.nabrico-marine.com](http://www.nabrico-marine.com)

64

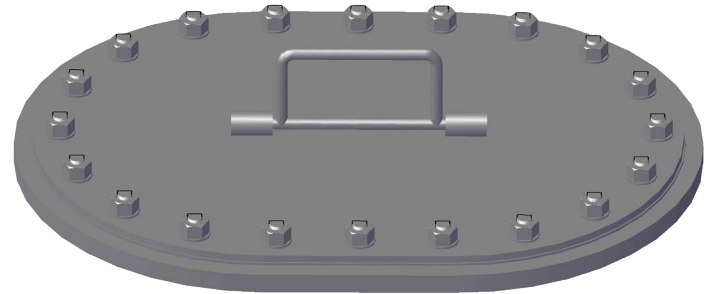
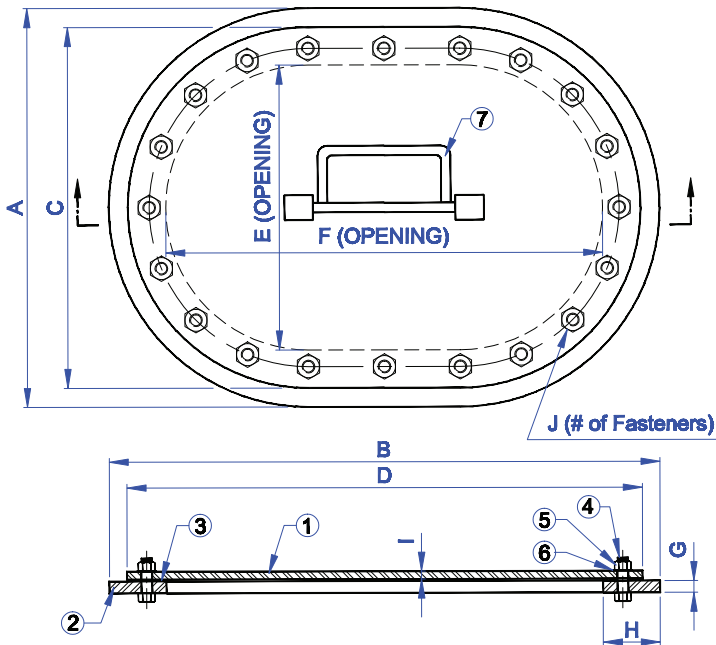
1250 Gateway Drive  
 Gallatin, Tennessee 37066  
 615-442-1300

The specifications and details described by drawings or text in this literature are subject to change without notice.





# NABRICO



| PIECE No. | DESCRIPTION     | PART NUMBER |        | MATERIAL  |
|-----------|-----------------|-------------|--------|-----------|
|           |                 | DF-503      | DF-504 |           |
| 1         | COVER PLATE     | 21229       | 21318  | STEEL     |
| 2         | DECK RING       | 21253       | 21326  | STEEL     |
| 3         | GASKET          | 21296       | 21334  | NEOPRENE  |
| 4         | HEX HEAD BOLT   | 14613       |        | STEEL     |
| 5         | HEX NUT         | 21245       |        | STAINLESS |
| 6         | WASHER          | 21237       |        | BRASS     |
| 7         | HANDLE          | 21261       |        | STEEL     |
| 8         | HANDLE RETAINER | 21288       |        | STEEL     |

| MODEL No. | PART No. | SIZE        | A         | B         | C         | D         | E         | F         | G        | H        | I        | J  | WT. (Kg) |
|-----------|----------|-------------|-----------|-----------|-----------|-----------|-----------|-----------|----------|----------|----------|----|----------|
| DF-503    | 21113    | 381x<br>584 | 533<br>mm | 737<br>mm | 470<br>mm | 673<br>mm | 381<br>mm | 584<br>mm | 19<br>mm | 76<br>mm | 10<br>mm | 20 | 43       |
| DF-504    | 21121    | 457x<br>610 | 610<br>mm | 762<br>mm | 546<br>mm | 699<br>mm | 457<br>mm | 610<br>mm | 19<br>mm | 76<br>mm | 10<br>mm | 24 | 51       |

- 1- OTHER BOLT, NUT AND WASHER COMBINATIONS AVAILABLE.
- 2- OTHER GASKET MATERIALS AVAILABLE.

## FLUSH MULTI-BOLT OVAL HATCH

**Nabrico Products**  
[www.nabrico-marine.com](http://www.nabrico-marine.com)

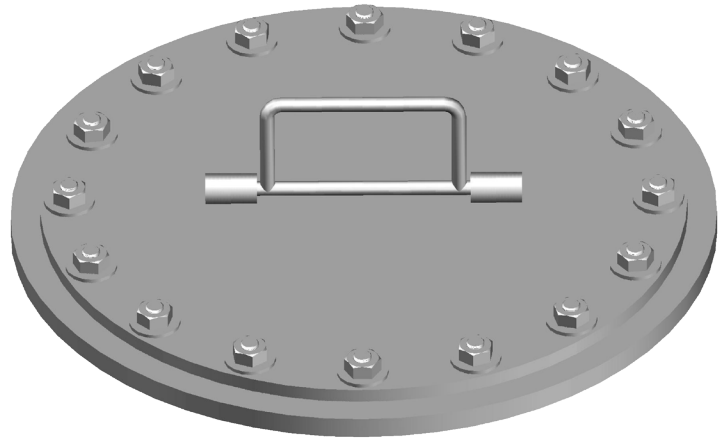
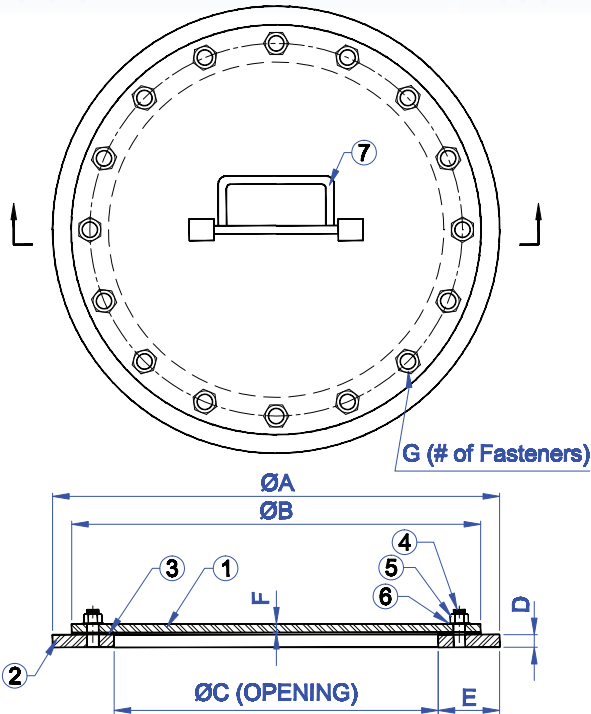
65

1250 Gateway Drive  
 Gallatin, Tennessee 37066  
 615-442-1300

The specifications and details described by drawings or text in this literature are subject to change without notice.



# NABRICO



| PIECE No. | DESCRIPTION   | MATERIAL  |
|-----------|---------------|-----------|
| 1         | COVER PLATE   | STEEL     |
| 2         | DECK RING     | STEEL     |
| 3         | GASKET        | NEOPRENE  |
| 4         | THREADED STUD | STAINLESS |
| 5         | HEX NUT       | STAINLESS |
| 6         | WASHER        | BRASS     |
| 7         | HANDLE        | STEEL     |

| MODEL No. | PART No. | SIZE   | ØA     | ØB     | ØC     | D     | E     | F     | G  | WT. (Kg) |
|-----------|----------|--------|--------|--------|--------|-------|-------|-------|----|----------|
| DF-509-14 | 30614    | 356 mm | 508 mm | 445 mm | 356 mm | 19 mm | 76 mm | 10 mm | 14 | 34       |
| DF-509-18 | 30616    | 457 mm | 610 mm | 546 mm | 457 mm | 19 mm | 76 mm | 10 mm | 16 | 41       |
| DF-509-20 | 30618    | 508 mm | 660 mm | 597 mm | 508 mm | 19 mm | 76 mm | 10 mm | 18 | 45       |

1- OTHER GASKET MATERIALS AVAILABLE.

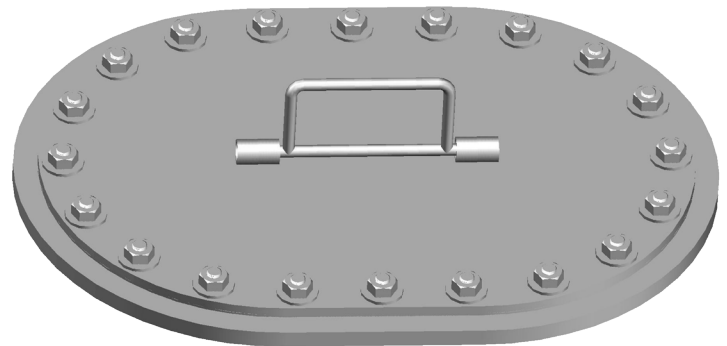
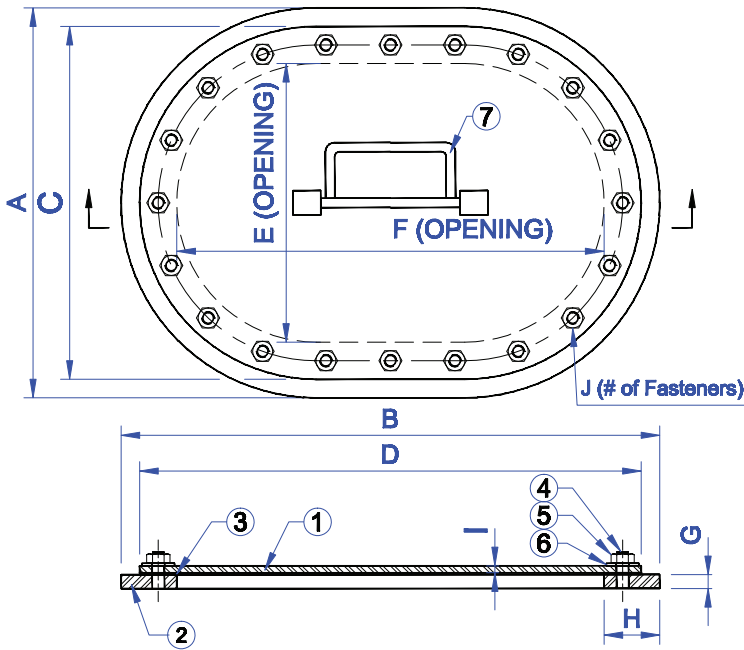
## FLUSH MULTI-STUD ROUND HATCH

**Nabrico Products**  
[www.nabrico-marine.com](http://www.nabrico-marine.com)

1250 Gateway Drive  
 Gallatin, Tennessee 37066  
 615-442-1300



# NABRICO



| PIECE No. | DESCRIPTION   | MATERIAL  |
|-----------|---------------|-----------|
| 1         | COVER PLATE   | STEEL     |
| 2         | DECK RING     | STEEL     |
| 3         | GASKET        | NEOPRENE  |
| 4         | THREADED STUD | STAINLESS |
| 5         | HEX NUT       | STAINLESS |
| 6         | WASHER        | BRASS     |
| 7         | HANDLE        | STEEL     |

| MODEL No. | PART No. | SIZE        | A         | B         | C         | D         | E         | F         | G        | H        | I        | J  | WT. (Kg) |
|-----------|----------|-------------|-----------|-----------|-----------|-----------|-----------|-----------|----------|----------|----------|----|----------|
| DF-510    | 30151    | 381x<br>584 | 533<br>mm | 737<br>mm | 470<br>mm | 673<br>mm | 381<br>mm | 584<br>mm | 19<br>mm | 76<br>mm | 10<br>mm | 20 | 43       |
| DF-510    | 30152    | 457x<br>610 | 610<br>mm | 762<br>mm | 546<br>mm | 699<br>mm | 457<br>mm | 610<br>mm | 19<br>mm | 76<br>mm | 10<br>mm | 24 | 51       |

1- OTHER GASKET MATERIALS AVAILABLE.

## FLUSH MULTI-STUD OVAL HATCH

**Nabrico Products**  
[www.nabrico-marine.com](http://www.nabrico-marine.com)

67

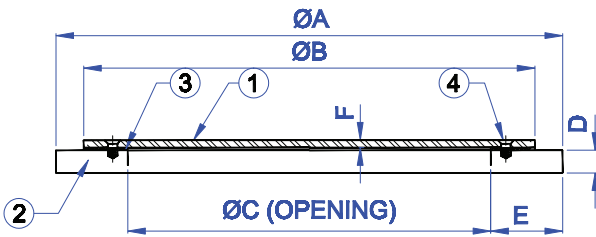
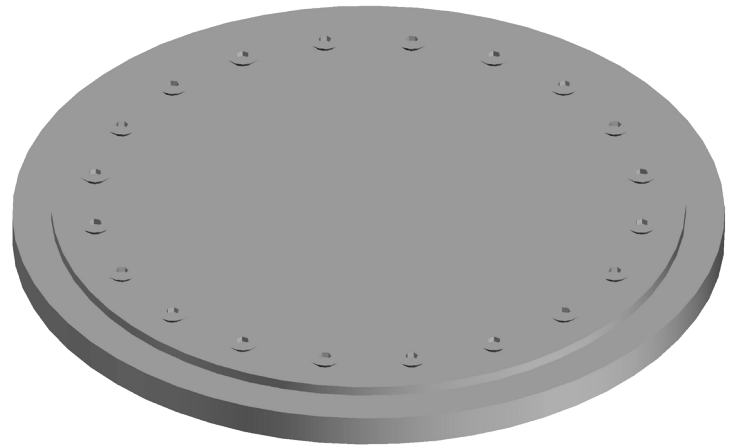
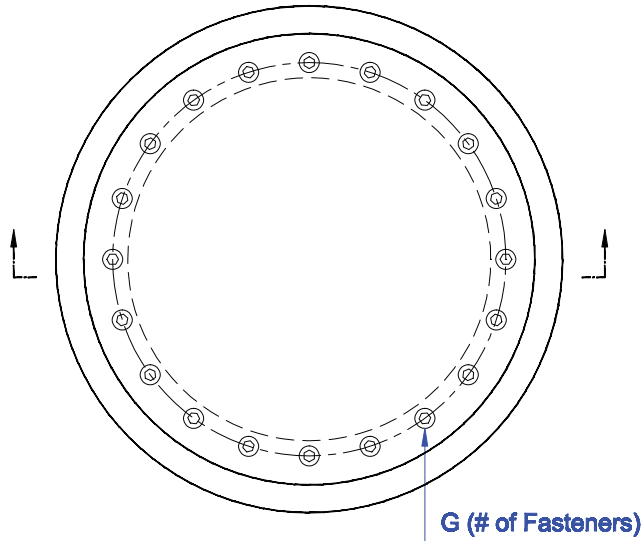
1250 Gateway Drive  
 Gallatin, Tennessee 37066  
 615-442-1300

The specifications and details described by drawings or text in this literature are subject to change without notice.





# NABRICO



| PIECE No. | DESCRIPTION            | MATERIAL  |
|-----------|------------------------|-----------|
| 1         | COVER PLATE            | STEEL     |
| 2         | DECK RING              | STEEL     |
| 3         | GASKET                 | NEOPRENE  |
| 4         | FLAT HEAD SOCKET SCREW | STAINLESS |

| MODEL No. | PART No. | SIZE   | ØA     | ØB     | ØC     | D     | E     | F     | G  | WT. (Kg) |
|-----------|----------|--------|--------|--------|--------|-------|-------|-------|----|----------|
| DF-507-14 | 21083    | 356 mm | 537 mm | 467 mm | 356 mm | 29 mm | 90 mm | 10 mm | 16 | 34       |
| DF-507-18 | 21139    | 457 mm | 638 mm | 568 mm | 457 mm | 29 mm | 90 mm | 10 mm | 20 | 38       |
| DF-507-20 | 21150    | 508 mm | 689 mm | 619 mm | 508 mm | 29 mm | 90 mm | 10 mm | 22 | 44       |

1- OTHER GASKET MATERIALS AVAILABLE.

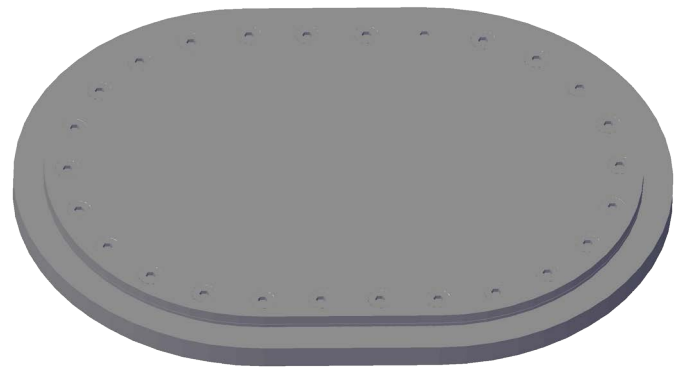
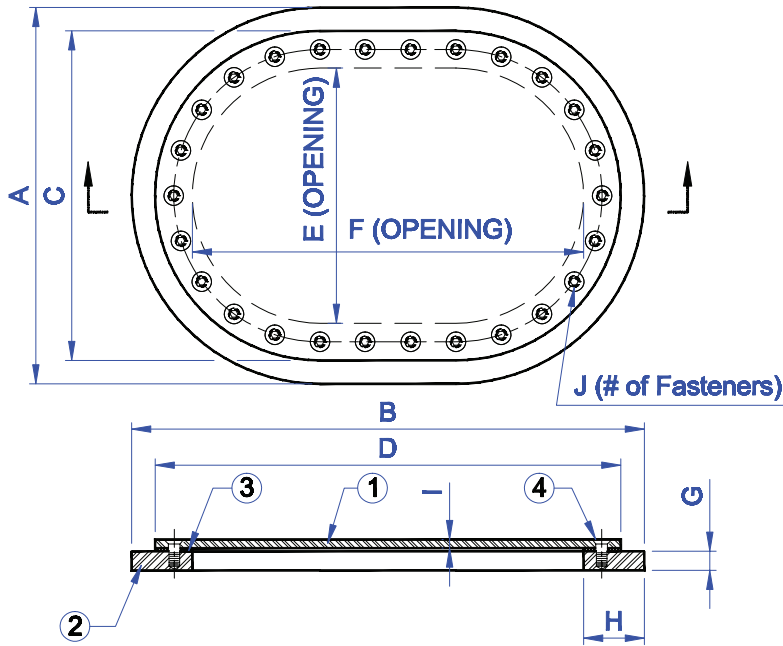
## FLUSH MULTI-SCREW ROUND HATCH

**Nabrico Products**  
[www.nabrico-marine.com](http://www.nabrico-marine.com)

1250 Gateway Drive  
 Gallatin, Tennessee 37066  
 615-442-1300



# NABRICO



| PIECE No. | DESCRIPTION            | PART No. | MATERIAL  |
|-----------|------------------------|----------|-----------|
| 1         | COVER PLATE            | 21181    | STEEL     |
| 2         | DECK RING              | 21210    | STEEL     |
| 3         | GASKET                 | 21202    | NEOPRENE  |
| 4         | FLAT HEAD SOCKET SCREW | 21199    | STAINLESS |

| MODEL No. | PART No. | SIZE        | A         | B         | C         | D         | E         | F         | G        | H        | I        | J  | WT. (Kg) |
|-----------|----------|-------------|-----------|-----------|-----------|-----------|-----------|-----------|----------|----------|----------|----|----------|
| DF-505    | 21148    | 381x<br>584 | 562<br>mm | 765<br>mm | 492<br>mm | 695<br>mm | 381<br>mm | 584<br>mm | 29<br>mm | 90<br>mm | 13<br>mm | 26 | 73       |

1- OTHER GASKET MATERIALS AVAILABLE.

## FLUSH MULTI-SCREW OVAL HATCH

**Nabrico Products**  
[www.nabrico-marine.com](http://www.nabrico-marine.com)

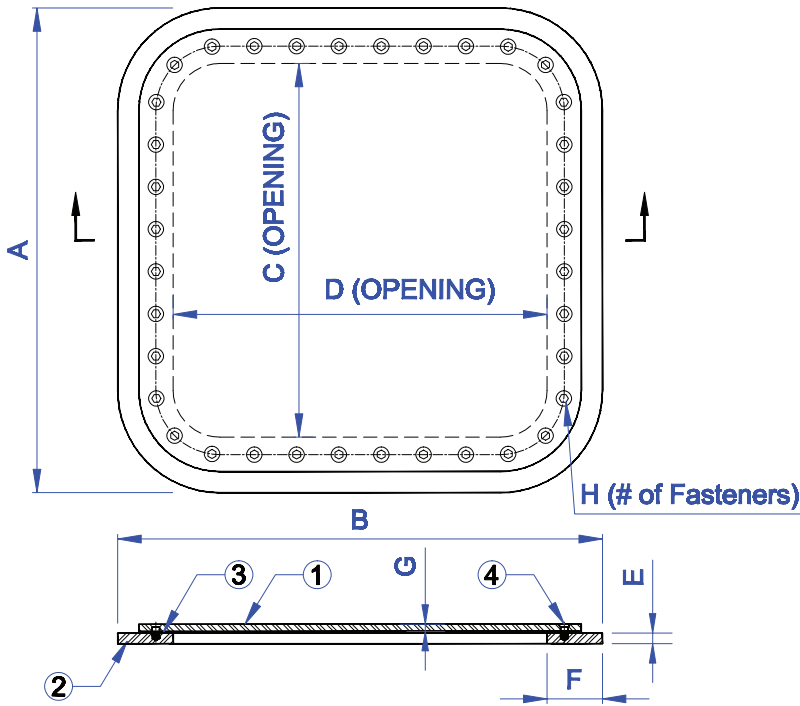
69

1250 Gateway Drive  
 Gallatin, Tennessee 37066  
 615-442-1300

The specifications and details described by drawings or text in this literature are subject to change without notice.



# NABRICO



| PIECE No. | DESCRIPTION            | MATERIAL  |
|-----------|------------------------|-----------|
| 1         | COVER PLATE            | STEEL     |
| 2         | DECK RING              | STEEL     |
| 3         | GASKET                 | NEOPRENE  |
| 4         | FLAT HEAD SOCKET SCREW | STAINLESS |

| MODEL No. | PART No. | SIZE        | A         | B         | C         | D         | E        | F        | G        | H  | WT. (Kg) |
|-----------|----------|-------------|-----------|-----------|-----------|-----------|----------|----------|----------|----|----------|
| DF-508    | 21145    | 610x<br>610 | 791<br>mm | 791<br>mm | 610<br>mm | 610<br>mm | 19<br>mm | 90<br>mm | 13<br>mm | 36 | 87       |

1- OTHER GASKET MATERIALS AVAILABLE.

## FLUSH MULTI-SCREW SQUARE HATCH

**Nabrico Products**  
[www.nabrico-marine.com](http://www.nabrico-marine.com)

70

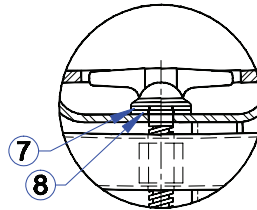
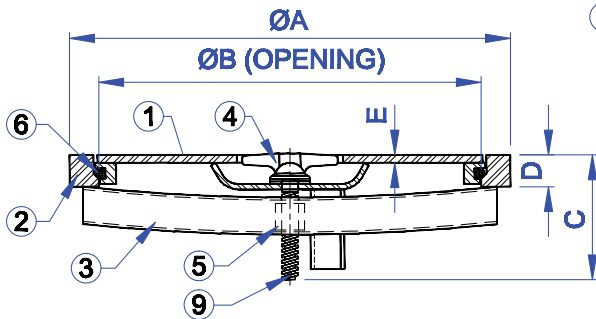
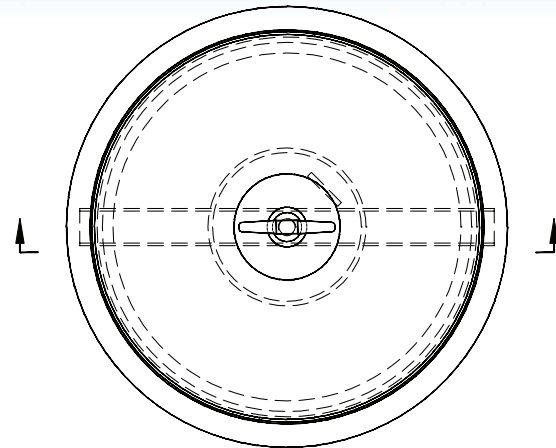
1250 Gateway Drive  
 Gallatin, Tennessee 37066  
 615-442-1300

The specifications and details described by drawings or text in this literature are subject to change without notice.

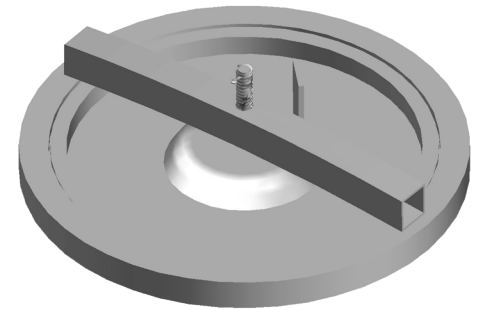
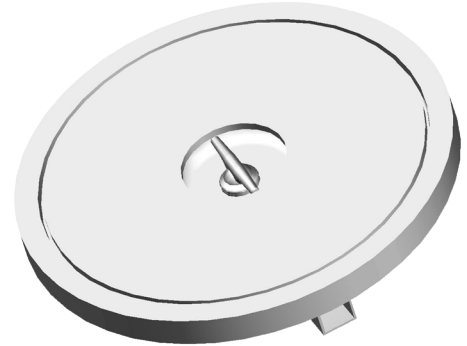




# NABRICO



DETAIL OF T-HANDLE AREA



| PIECE No. | DESCRIPTION          | PART No.   |            | MATERIAL         |
|-----------|----------------------|------------|------------|------------------|
|           |                      | DF-430-18D | DF-430-24D |                  |
| 1         | HATCH COVER ASSEMBLY | 6769       | 15342      | STEEL            |
| 2         | DECK RING            | 6750       | 15334      | STEEL            |
| 3         | STRONGBACK           | 6300       | 13870      | GALVANIZED STEEL |
| 4         | T-HANDLE             | 16993      |            | STAINLESS        |
| 5         | ACME THREADED NUT    | 507        |            | BRASS            |
| 6         | HATCH GASKET         | 17256      | 6548       | NEOPRENE         |
| 7         | WASHER               | 604        |            | BRASS            |
| 8         | WASHER GASKET        | 6556       |            | NEOPRENE         |
| 9         | COTTER PIN           | 21639      |            | STAINLESS        |

| MODEL No.  | PART No. | SIZE   | ØA     | ØB     | C      | D     | E     | WT. (Kg) |
|------------|----------|--------|--------|--------|--------|-------|-------|----------|
| DF-430-18D | 6297     | 457 mm | 527 mm | 457 mm | 149 mm | 38 mm | 10 mm | 32       |
| DF-430-24D | 6270     | 610 mm | 679 mm | 610 mm | 149 mm | 38 mm | 10 mm | 55       |

1 - ADDITIONAL OPENING DIMENSIONS AVAILABLE.  
2 - OTHER GASKET MATERIALS AVAILABLE.

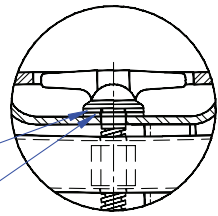
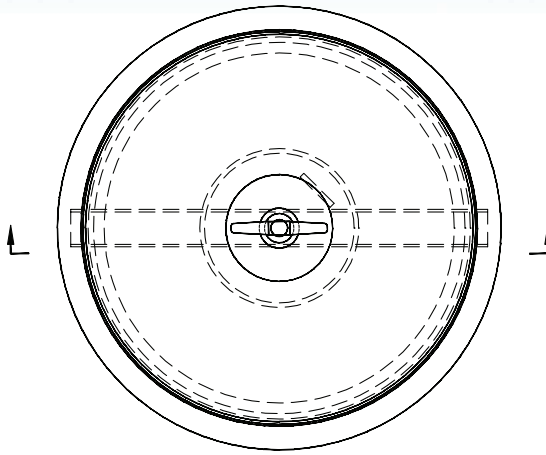
## FLUSH WATERTIGHT T-HANDLE HATCH

**Nabrico Products**  
www.nabrico-marine.com

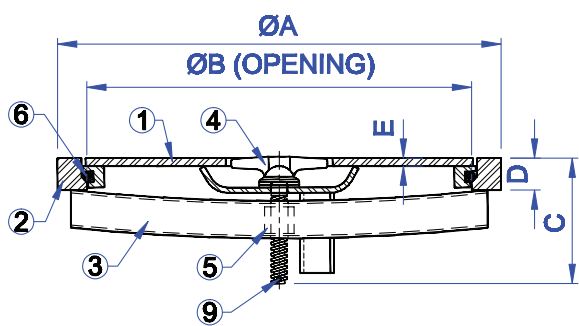
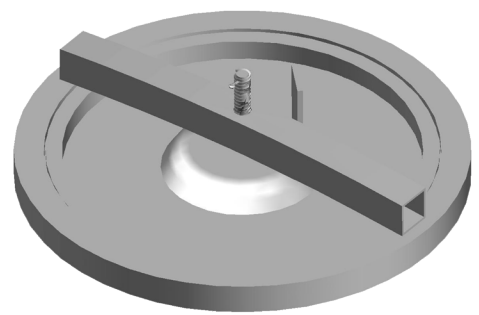
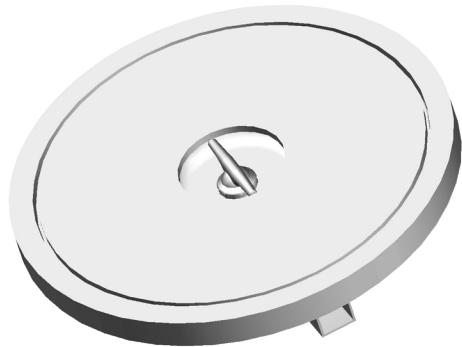
1250 Gateway Drive  
Gallatin, Tennessee 37066  
615-442-1300



# NABRICO



DETAIL OF T-HANDLE AREA



| PIECE No. | DESCRIPTION          | PART No.   |            | MATERIAL         |
|-----------|----------------------|------------|------------|------------------|
|           |                      | DF-430-18D | DF-430-24D |                  |
| 1         | HATCH COVER ASSEMBLY | 20391      | 15343      | GALVANIZED STEEL |
| 2         | DECK RING            | 6751       | 15335      | GALVANIZED STEEL |
| 3         | STRONGBACK           | 6300       | 13870      | GALVANIZED STEEL |
| 4         | T-HANDLE             | 16993      |            | STAINLESS        |
| 5         | ACME THREADED NUT    | 507        |            | BRASS            |
| 6         | HATCH GASKET         | 17256      | 6548       | NEOPRENE         |
| 7         | WASHER               | 604        |            | BRASS            |
| 8         | WASHER GASKET        | 6556       |            | NEOPRENE         |
| 9         | COTTER PIN           | 21639      |            | STAINLESS        |

| MODEL No.  | PART No. | SIZE   | ØA     | ØB     | C      | D     | E     | WT. (Kg) |
|------------|----------|--------|--------|--------|--------|-------|-------|----------|
| DF-430-18D | 6335     | 457 mm | 527 mm | 457 mm | 149 mm | 38 mm | 10 mm | 32       |
| DF-430-24D | 6289     | 610 mm | 679 mm | 610 mm | 149 mm | 38 mm | 10 mm | 55       |

1 - ADDITIONAL OPENING DIMENSIONS AVAILABLE.  
 2 - OTHER GASKET MATERIALS AVAILABLE.

## FLUSH GALV. WATERTIGHT T-HANDLE HATCH

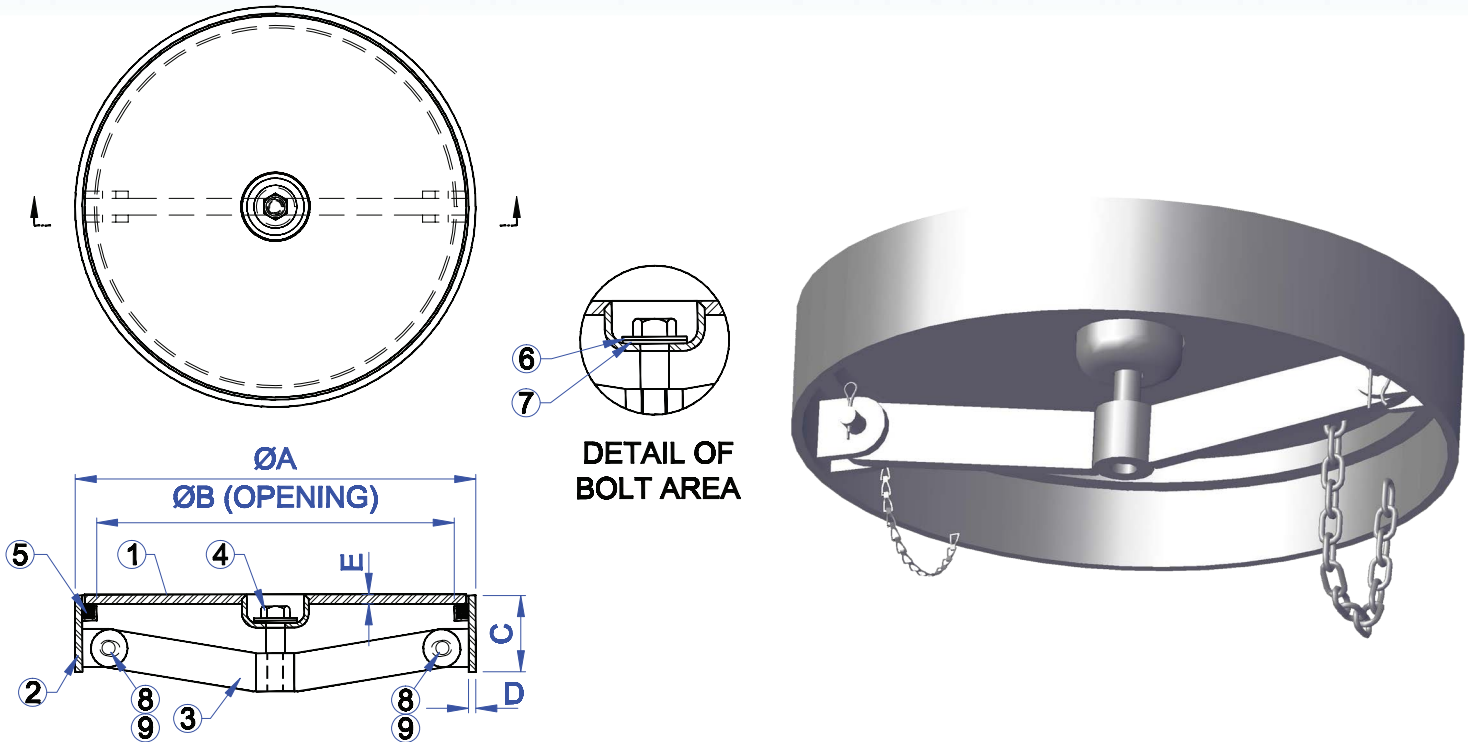
**Nabrico Products**  
[www.nabrico-marine.com](http://www.nabrico-marine.com)

1250 Gateway Drive  
 Gallatin, Tennessee 37066  
 615-442-1300

The specifications and details described by drawings or text in this literature are subject to change without notice.



# NABRICO



| PIECE No. | DESCRIPTION          | PART No.    |             |             | MATERIAL         |
|-----------|----------------------|-------------|-------------|-------------|------------------|
|           |                      | DF-540-1775 | DF-540-1975 | DF-540-2175 |                  |
| 1         | HATCH COVER ASSEMBLY | 92673       | 92924       | 92932       | STEEL            |
| 2         | COAMING ASSEMBLY     | 92681       | 92959       | 92967       | STEEL            |
| 3         | STRONGBACK ASSEMBLY  | 92762       | 93041       | 93068       | STEEL            |
| 4         | HEX HEAD BOLT        | 92746       |             |             | STAINLESS        |
| 5         | HATCH GASKET         | 92703       | 92983       | 92991       | NEOPRENE         |
| 6         | WASHER               | 92908       |             |             | BRASS            |
| 7         | WASHER GASKET        | 92711       |             |             | NEOPRENE         |
| 8         | CLEVIS PIN           | 92770       |             |             | GALVANIZED STEEL |
| 9         | COTTER PIN           | 92789       |             |             | STAINLESS        |

| MODEL No.   | PART No. | SIZE   | ØA     | ØB     | C      | D     | E     | WT. (Kg) |
|-------------|----------|--------|--------|--------|--------|-------|-------|----------|
| DF-540-1775 | 89915    | 451 mm | 508 mm | 451 mm | 102 mm | 10 mm | 13 mm | 41       |
| DF-540-1975 | 93017    | 502 mm | 559 mm | 502 mm | 102 mm | 10 mm | 13 mm | 45       |
| DF-540-2175 | 93025    | 552 mm | 610 mm | 552 mm | 102 mm | 10 mm | 13 mm | 52       |

- 1- ADDITIONAL COAMING HEIGHTS AVAILABLE.
- 2- ADDITIONAL OPENING DIMENSIONS AVAILABLE.
- 3- OTHER GASKET MATERIALS AVAILABLE.

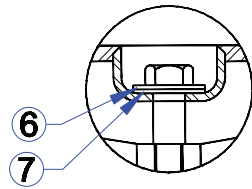
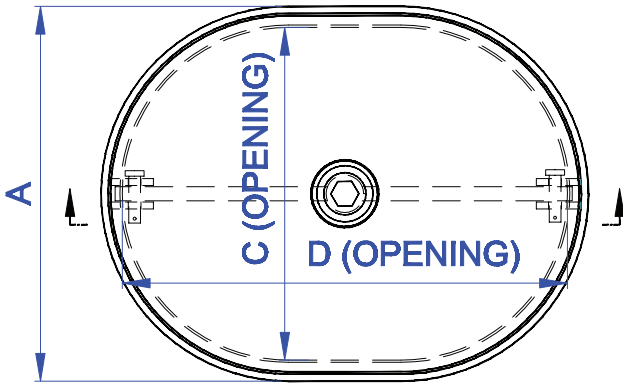
## RAISED WATERTIGHT SINGLE BOLT ROUND HATCH

**Nabrico Products**  
[www.nabrico-marine.com](http://www.nabrico-marine.com)

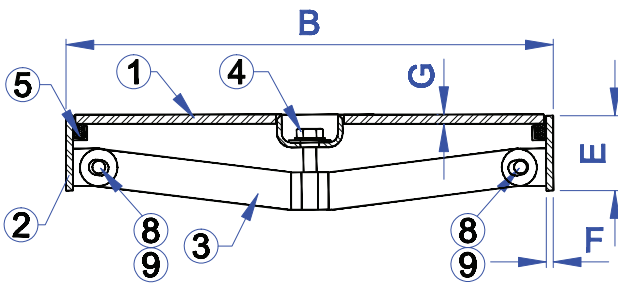
1250 Gateway Drive  
 Gallatin, Tennessee 37066  
 615-442-1300



# NABRICO



DETAIL OF BOLT AREA



| PIECE No. | DESCRIPTION          | PART No. | MATERIAL         |
|-----------|----------------------|----------|------------------|
| 1         | HATCH COVER ASSEMBLY | 93039    | STEEL            |
| 2         | COAMING ASSEMBLY     | 93043    | STEEL            |
| 3         | STRONGBACK ASSEMBLY  | 93045    | STEEL            |
| 4         | HEX HEAD BOLT        | 92746    | STAINLESS        |
| 5         | HATCH GASKET         | 93050    | NEOPRENE         |
| 6         | WASHER               | 92908    | BRASS            |
| 7         | WASHER GASKET        | 92711    | NEOPRENE         |
| 8         | CLEVIS PIN           | 92770    | GALVANIZED STEEL |
| 9         | COTTER PIN           | 92789    | STAINLESS        |

| MODEL No.   | PART No. | SIZE        | A         | B         | C         | D         | E         | F     | G     | WT. (Kg) |
|-------------|----------|-------------|-----------|-----------|-----------|-----------|-----------|-------|-------|----------|
| DF-540-1824 | 93001    | 457x<br>610 | 514<br>mm | 667<br>mm | 457<br>mm | 610<br>mm | 102<br>mm | 10 mm | 13 mm | 82       |

- 1- ADDITIONAL COAMING HEIGHTS AVAILABLE.
- 2- ADDITIONAL OPENING DIMENSIONS AVAILABLE.
- 3- OTHER GASKET MATERIALS AVAILABLE.

## RAISED WATERTIGHT SINGLE BOLT OVAL HATCH

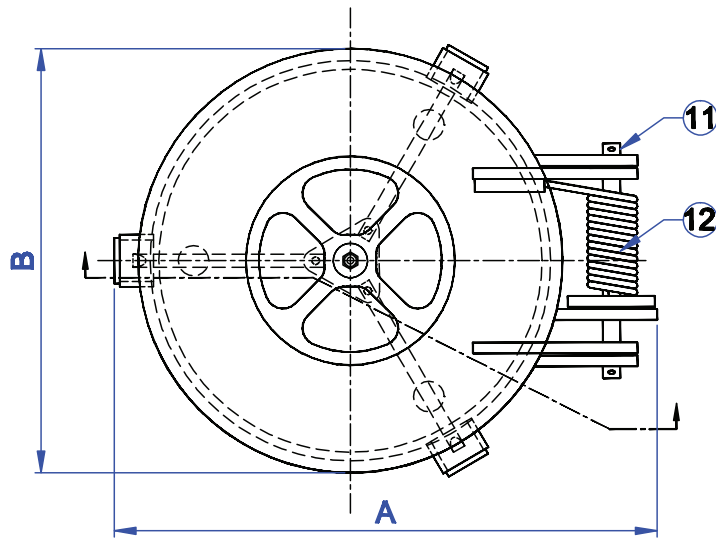
**Nabrico Products**  
[www.nabrico-marine.com](http://www.nabrico-marine.com)

1250 Gateway Drive  
 Gallatin, Tennessee 37066  
 615-442-1300

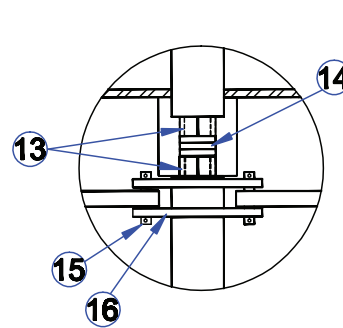
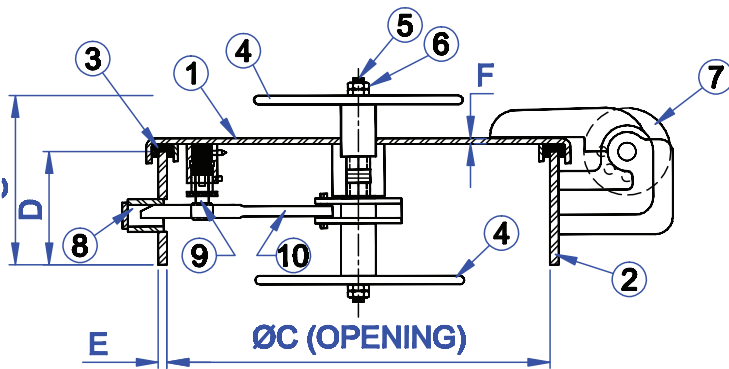




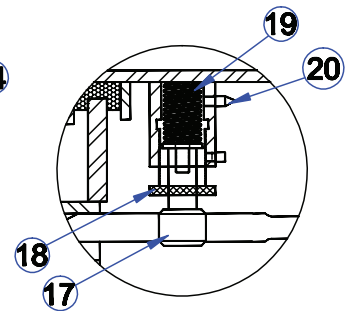
# NABRICO



| No. | DESCRIPTION             | MATERIAL  |
|-----|-------------------------|-----------|
| 1   | HATCH COVER ASSEMBLY    | STEEL     |
| 2   | COAMING ASSEMBLY        | STEEL     |
| 3   | HATCH GASKET            | NEOPRENE  |
| 4   | HANDWHEEL ASSEMBLY      | STEEL     |
| 5   | CENTER SHAFT            | STAINLESS |
| 6   | JAM NUT                 | STAINLESS |
| 7   | ADJUSTING SPROCKET      | STEEL     |
| 8   | DOG POCKET ASSEMBLY     | STEEL     |
| 9   | SWIVEL GUIDE ASSEMBLY   | -         |
| 10  | DOG ARM                 | STAINLESS |
| 11  | HINGE PIN               | STAINLESS |
| 12  | HINGE SPRING            | STAINLESS |
| 13  | BUSHING                 | NYLON     |
| 14  | PACKING                 | GRAPHITE  |
| 15  | DOG ARM PIN             | STAINLESS |
| 16  | ROTATING BLOCK ASSEMBLY | STEEL     |
| 17  | SWIVEL GUIDE            | BRASS     |
| 18  | ADJUSTMENT BUTTON       | STEEL     |
| 19  | SWIVEL GUIDE SPRING     | STAINLESS |
| 20  | GREASE FITTING          | STAINLESS |



DETAIL OF DOG ARM HINGE AREA



DETAIL OF SWIVEL GUIDE AREA

| MODEL No. | PART No. | SIZE   | A      | B      | ØC     | D      | E     | F    | G      | WT. (Kg) |
|-----------|----------|--------|--------|--------|--------|--------|-------|------|--------|----------|
| DF-546-18 | 18401    | 457 mm | 692 mm | 518 mm | 457 mm | 152 mm | 13 mm | 8 mm | 241 mm | 64       |
| DF-546-20 | 38010    | 508 mm | 743 mm | 568 mm | 508 mm | 152 mm | 13 mm | 8 mm | 241 mm | 73       |
| DF-546-22 | 37995    | 559 mm | 794 mm | 619 mm | 559 mm | 152 mm | 13 mm | 8 mm | 241 mm | 82       |

- 1- ADDITIONAL COAMING HEIGHTS AVAILABLE.
- 2- ADDITIONAL OPENING DIMENSIONS AVAILABLE.
- 3- OTHER GASKET MATERIALS AVAILABLE.

## RAISED WATERTIGHT QUICK ACTING ESCAPE HATCH

**Nabrico Products**  
[www.nabrico-marine.com](http://www.nabrico-marine.com)

75

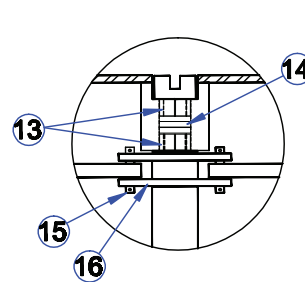
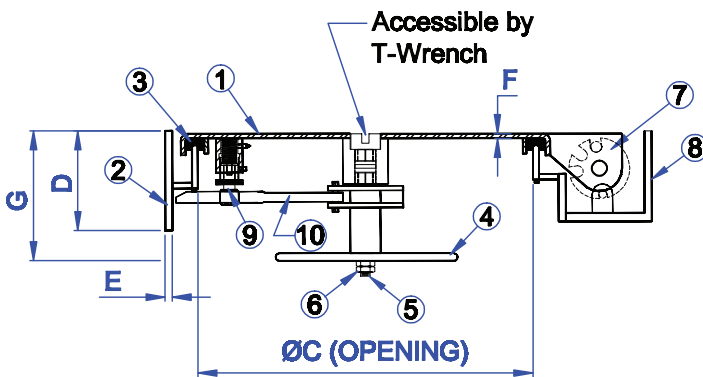
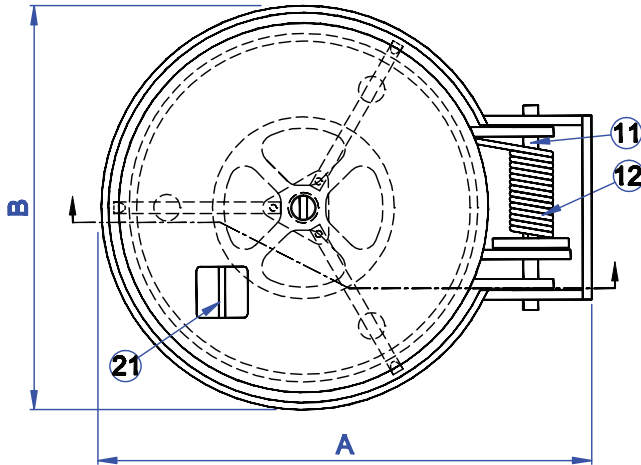
1250 Gateway Drive  
 Gallatin, Tennessee 37066  
 615-442-1300

The specifications and details described by drawings or text in this literature are subject to change without notice.

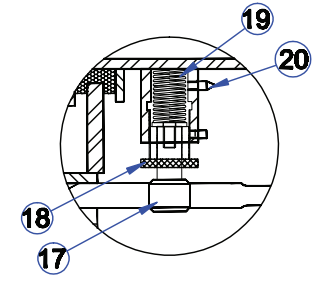


# NABRICO

| No. | DESCRIPTION             | MATERIAL  |
|-----|-------------------------|-----------|
| 1   | HATCH COVER ASSEMBLY    | STEEL     |
| 2   | COAMING ASSEMBLY        | STEEL     |
| 3   | HATCH GASKET            | NEOPRENE  |
| 4   | HANDWHEEL ASSEMBLY      | STEEL     |
| 5   | CENTER SHAFT            | STAINLESS |
| 6   | JAM NUT                 | STAINLESS |
| 7   | ADJUSTING SPROCKET      | STEEL     |
| 8   | HINGE BOX ASSEMBLY      | STEEL     |
| 9   | SWIVEL GUIDE ASSEMBLY   | -         |
| 10  | DOG ARM                 | STEEL     |
| 11  | HINGE PIN               | STAINLESS |
| 12  | HINGE SPRING            | STAINLESS |
| 13  | BUSHING                 | NYLON     |
| 14  | PACKING                 | GRAPHITE  |
| 15  | DOG ARM PIN             | STAINLESS |
| 16  | ROTATING BLOCK ASSEMBLY | STEEL     |
| 17  | SWIVEL GUIDE            | BRASS     |
| 18  | ADJUSTMENT BUTTON       | STEEL     |
| 19  | SWIVEL GUIDE SPRING     | STAINLESS |
| 20  | GREASE FITTING          | STAINLESS |
| 21  | GRAB HANDLE             | STEEL     |



DETAIL OF DOG ARM HINGE AREA



DETAIL OF SWIVEL GUIDE AREA

| MODEL No. | PART No. | SIZE   | A      | B      | ØC     | D      | E     | F    | G      | WT. (Kg) |
|-----------|----------|--------|--------|--------|--------|--------|-------|------|--------|----------|
| DF-549-18 | 18406    | 457 mm | 713 mm | 568 mm | 457 mm | 152 mm | 13 mm | 8 mm | 162 mm | 64       |
| DF-549-20 | 18407    | 508 mm | 764 mm | 619 mm | 508 mm | 152 mm | 13 mm | 8 mm | 162 mm | 73       |
| DF-549-22 | 18408    | 559 mm | 814 mm | 670 mm | 559 mm | 152 mm | 13 mm | 8 mm | 162 mm | 82       |

- 1- ADDITIONAL COAMING HEIGHTS AVAILABLE.
- 2- ADDITIONAL OPENING DIMENSIONS AVAILABLE.
- 3- OTHER GASKET MATERIALS AVAILABLE.

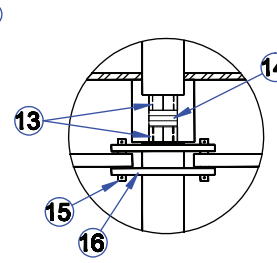
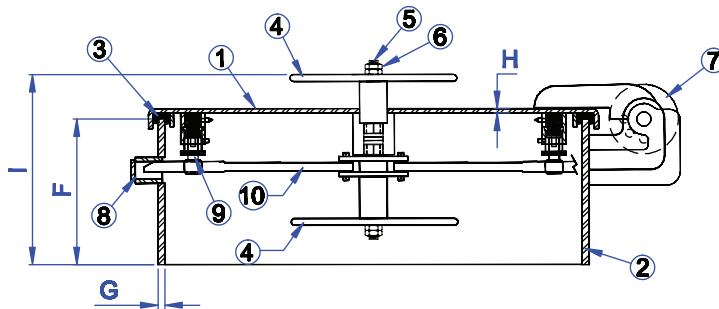
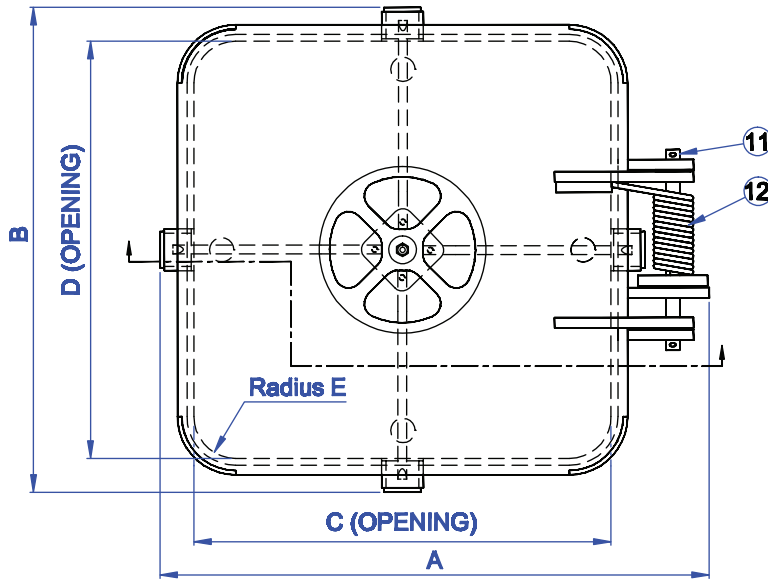
## FLUSH WATERTIGHT QUICK ACTING ESCAPE HATCH

**Nabrico Products**  
[www.nabrico-marine.com](http://www.nabrico-marine.com)

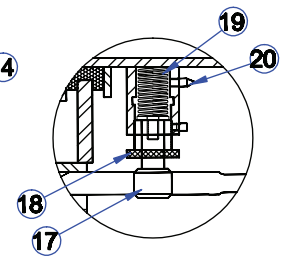
1250 Gateway Drive  
 Gallatin, Tennessee 37066  
 615-442-1300



# NABRICO



DETAIL OF DOG ARM HINGE AREA



DETAIL OF SWIVEL GUIDE AREA

| No. | DESCRIPTION             | MATERIAL  |
|-----|-------------------------|-----------|
| 1   | HATCH COVER ASSEMBLY    | STEEL     |
| 2   | COAMING ASSEMBLY        | STEEL     |
| 3   | HATCH GASKET            | NEOPRENE  |
| 4   | HANDWHEEL ASSEMBLY      | STEEL     |
| 5   | CENTER SHAFT            | STAINLESS |
| 6   | JAM NUT                 | STAINLESS |
| 7   | ADJUSTING SPROCKET      | STEEL     |
| 8   | DOG POCKET ASSEMBLY     | STEEL     |
| 9   | SWIVEL GUIDE ASSEMBLY   | -         |
| 10  | DOG ARM                 | STAINLESS |
| 11  | HINGE PIN               | STAINLESS |
| 12  | HINGE SPRING            | STAINLESS |
| 13  | BUSHING                 | NYLON     |
| 14  | PACKING                 | GRAPHITE  |
| 15  | DOG ARM PIN             | STAINLESS |
| 16  | ROTATING BLOCK ASSEMBLY | STEEL     |
| 17  | SWIVEL GUIDE            | BRASS     |
| 18  | ADJUSTMENT BUTTON       | STEEL     |
| 19  | SWIVEL GUIDE SPRING     | STAINLESS |
| 20  | GREASE FITTING          | STAINLESS |

| MODEL No.   | PART No. | SIZE        | A          | B          | C         | D         | E        | F         | G        | H       | I         | WT. (Kg) |
|-------------|----------|-------------|------------|------------|-----------|-----------|----------|-----------|----------|---------|-----------|----------|
| DF-615-2424 | 100081   | 610x<br>610 | 856<br>mm  | 743<br>mm  | 610<br>mm | 610<br>mm | 76<br>mm | 610<br>mm | 13<br>mm | 8<br>mm | 699<br>mm | 227      |
| DF-615-3030 | 100083   | 762x<br>762 | 1008<br>mm | 895<br>mm  | 762<br>mm | 762<br>mm | 76<br>mm | 610<br>mm | 13<br>mm | 8<br>mm | 699<br>mm | 318      |
| DF-615-3636 | 100100   | 914x<br>914 | 1160<br>mm | 1048<br>mm | 914<br>mm | 914<br>mm | 76<br>mm | 610<br>mm | 13<br>mm | 8<br>mm | 699<br>mm | 408      |

- 1- ADDITIONAL COAMING HEIGHTS AVAILABLE.
- 2- ADDITIONAL OPENING DIMENSIONS AVAILABLE.
- 3- OTHER GASKET MATERIALS AVAILABLE.

## RAISED WATERTIGHT QUICK ACTING HATCH

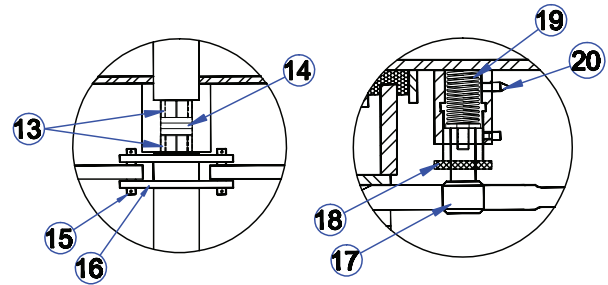
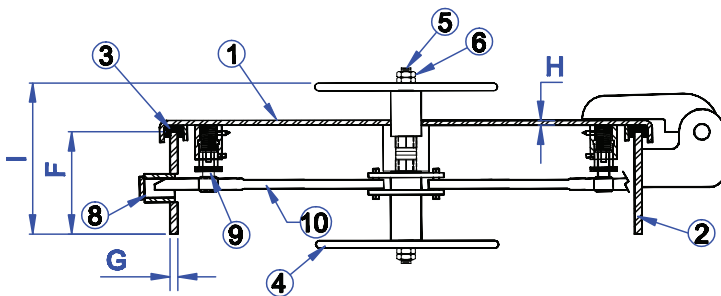
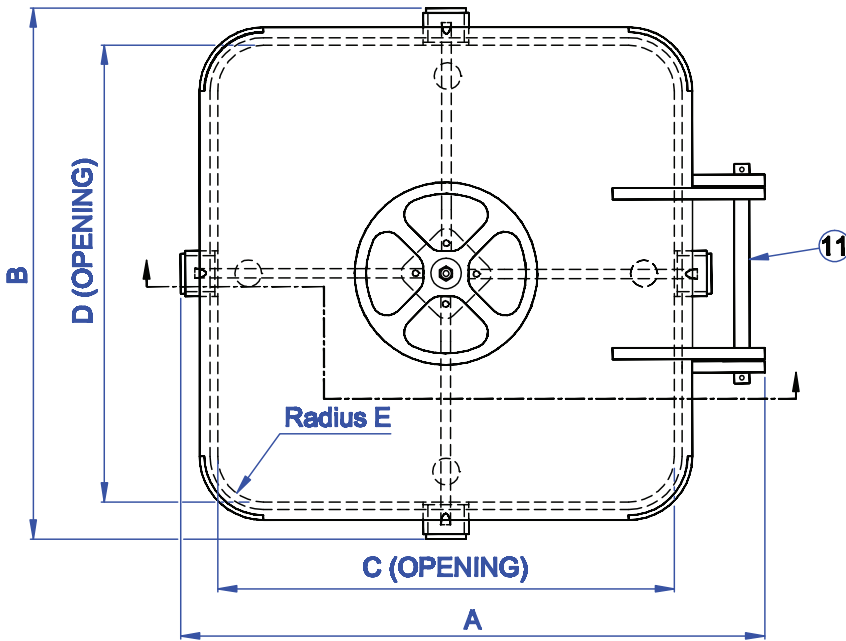
**Nabrico Products**  
[www.nabrico-marine.com](http://www.nabrico-marine.com)

1250 Gateway Drive  
 Gallatin, Tennessee 37066  
 615-442-1300



# NABRICO

| No. | DESCRIPTION             | MATERIAL  |
|-----|-------------------------|-----------|
| 1   | HATCH COVER ASSEMBLY    | STEEL     |
| 2   | COAMING ASSEMBLY        | STEEL     |
| 3   | HATCH GASKET            | NEOPRENE  |
| 4   | HANDWHEEL ASSEMBLY      | STEEL     |
| 5   | CENTER SHAFT            | STAINLESS |
| 6   | JAM NUT                 | STAINLESS |
| 7   | DOG POCKET ASSEMBLY     | STEEL     |
| 8   | SWIVEL GUIDE ASSEMBLY   | -         |
| 9   | DOG ARM                 | STAINLESS |
| 10  | HINGE PIN               | STAINLESS |
| 11  | BUSHING                 | NYLON     |
| 12  | PACKING                 | GRAPHITE  |
| 13  | DOG ARM PIN             | STAINLESS |
| 14  | ROTATING BLOCK ASSEMBLY | STEEL     |
| 15  | SWIVEL GUIDE            | BRASS     |
| 16  | ADJUSTMENT BUTTON       | STEEL     |
| 17  | SWIVEL GUIDE SPRING     | STAINLESS |
| 18  | GREASE FITTING          | STAINLESS |



DETAIL OF DOG ARM HINGE AREA

DETAIL OF SWIVEL GUIDE AREA

| MODEL No.   | PART No. | SIZE     | A      | B      | C      | D      | E     | F      | G     | H    | I      | WT. (Kg) |
|-------------|----------|----------|--------|--------|--------|--------|-------|--------|-------|------|--------|----------|
| DF-590-2424 | 37950    | 610x 610 | 852 mm | 743 mm | 610 mm | 610 mm | 76 mm | 152 mm | 13 mm | 8 mm | 241 mm | 215      |

- 1- ADDITIONAL COAMING HEIGHTS AVAILABLE.
- 2- ADDITIONAL OPENING DIMENSIONS AVAILABLE.
- 3- OTHER GASKET MATERIALS AVAILABLE.

## RAISED WATERTIGHT QUICK ACTING HATCH

**Nabrico Products**  
[www.nabrico-marine.com](http://www.nabrico-marine.com)

78

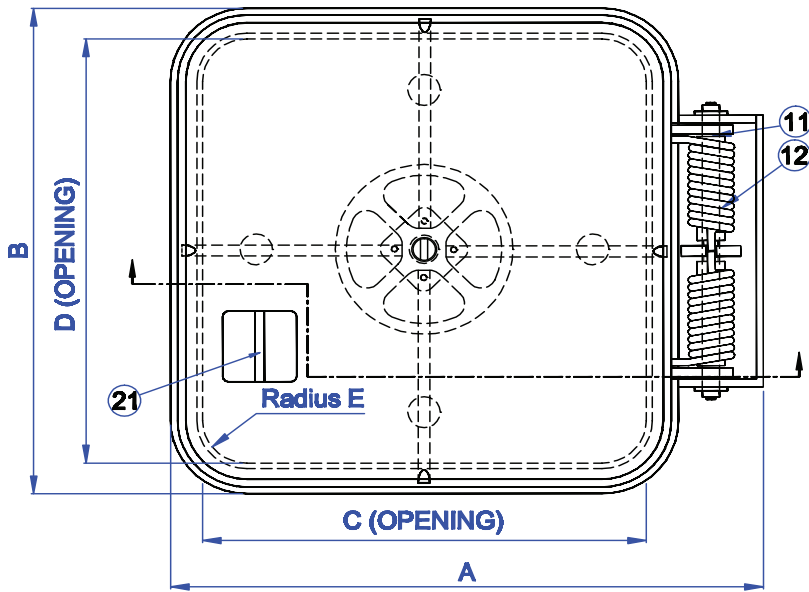
1250 Gateway Drive  
 Gallatin, Tennessee 37066  
 615-442-1300

The specifications and details described by drawings or text in this literature are subject to change without notice.

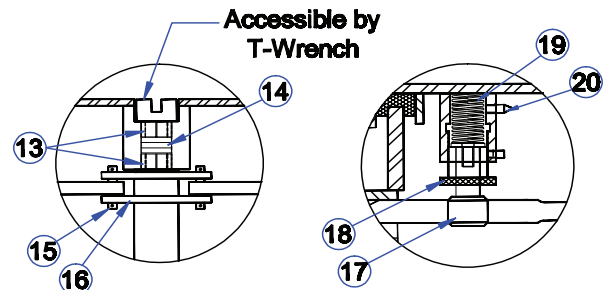
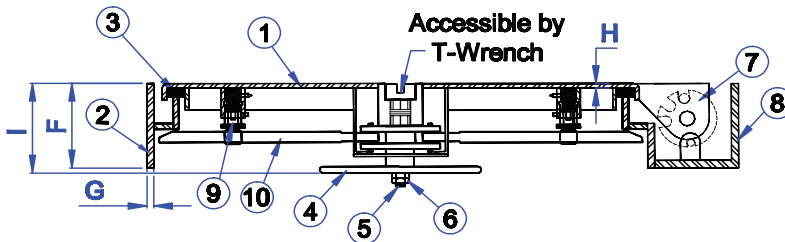




# NABRICO



| No. | DESCRIPTION             | MATERIAL  |
|-----|-------------------------|-----------|
| 1   | HATCH COVER ASSEMBLY    | STEEL     |
| 2   | COAMING ASSEMBLY        | STEEL     |
| 3   | HATCH GASKET            | NEOPRENE  |
| 4   | HANDWHEEL ASSEMBLY      | STEEL     |
| 5   | CENTER SHAFT            | STAINLESS |
| 6   | JAM NUT                 | STAINLESS |
| 7   | ADJUSTING SPROCKET      | STEEL     |
| 8   | HINGE BOX ASSEMBLY      | STEEL     |
| 9   | SWIVEL GUIDE ASSEMBLY   | -         |
| 10  | DOG ARM                 | STAINLESS |
| 11  | HINGE PIN               | STAINLESS |
| 12  | HINGE SPRING            | STAINLESS |
| 13  | BUSHING                 | NYLON     |
| 14  | PACKING                 | GRAPHITE  |
| 15  | DOG ARM PIN             | STAINLESS |
| 16  | ROTATING BLOCK ASSEMBLY | STEEL     |
| 17  | SWIVEL GUIDE            | BRASS     |
| 18  | ADJUSTMENT BUTTON       | STEEL     |
| 19  | SWIVEL GUIDE SPRING     | STAINLESS |
| 20  | GREASE FITTING          | STAINLESS |
| 21  | GRAB HANDLE             | STEEL     |



DETAIL OF DOG ARM HINGE AREA

DETAIL OF SWIVEL GUIDE AREA

| MODEL No.   | PART No. | SIZE        | A          | B         | C         | D         | E        | F         | G        | H       | I         | WT. (Kg) |
|-------------|----------|-------------|------------|-----------|-----------|-----------|----------|-----------|----------|---------|-----------|----------|
| DF-595-2424 | 93011    | 610x<br>610 | 865<br>mm  | 719<br>mm | 610<br>mm | 610<br>mm | 76<br>mm | 102<br>mm | 13<br>mm | 8<br>mm | 162<br>mm | 168      |
| DF-595-3030 | 93000    | 762x<br>762 | 1018<br>mm | 872<br>mm | 762<br>mm | 762<br>mm | 76<br>mm | 152<br>mm | 13<br>mm | 8<br>mm | 162<br>mm | 191      |

- 1- ADDITIONAL COAMING HEIGHTS AVAILABLE.
- 2- ADDITIONAL OPENING DIMENSIONS AVAILABLE.
- 3- OTHER GASKET MATERIALS AVAILABLE.

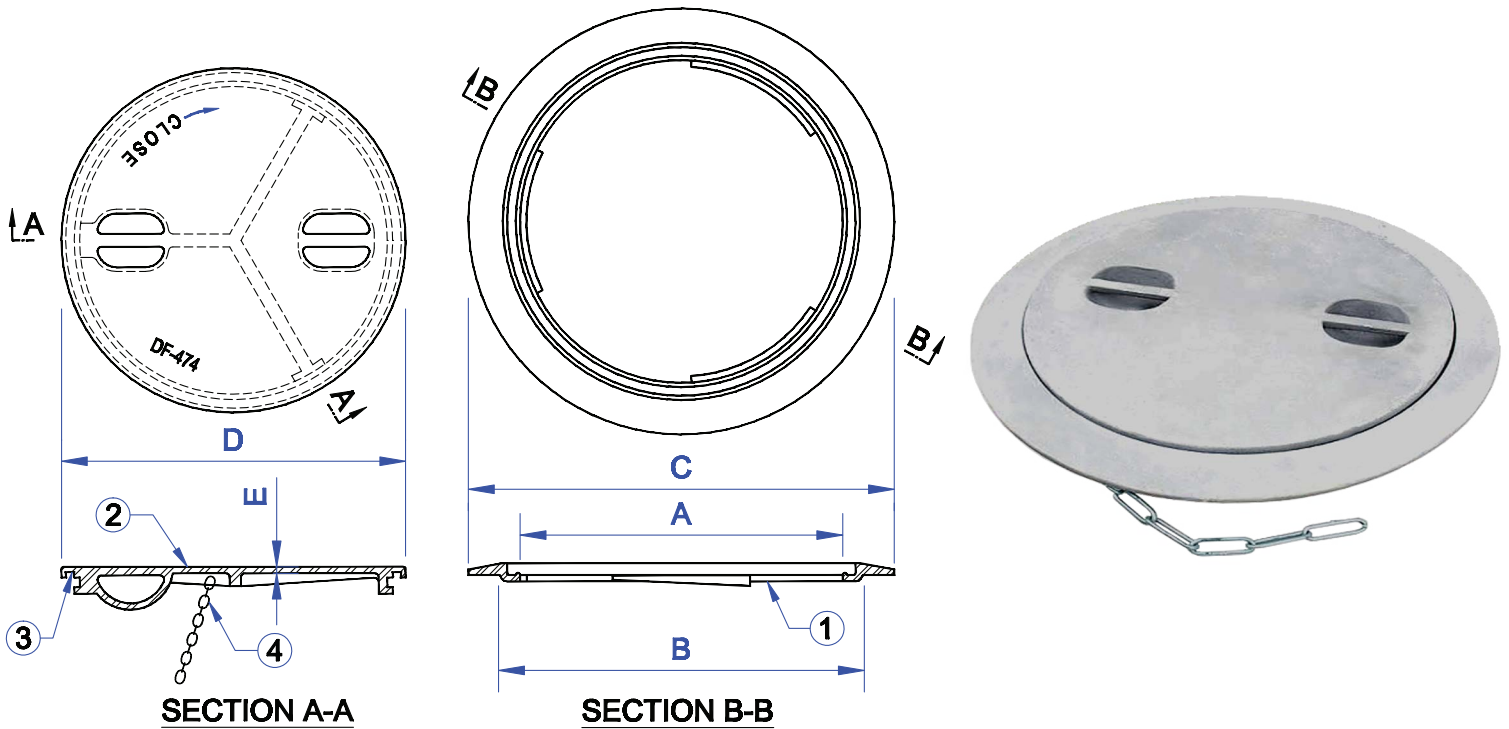
## FLUSH WATERTIGHT QUICK ACTING HATCH

**Nabrico Products**  
[www.nabrico-marine.com](http://www.nabrico-marine.com)

1250 Gateway Drive  
 Gallatin, Tennessee 37066  
 615-442-1300



# NABRICO



| PIECE No. | DESCRIPTION | PART No. | MATERIAL   |
|-----------|-------------|----------|------------|
| 1         | DECK RING   | 82325    | CAST STEEL |
| 2         | COVER       | 82333    | CAST STEEL |
| 3         | GASKET      | 82341    | NEOPRENE   |
| 4         | CHAIN       | 82368    | STEEL      |

| MODEL No. | PART No. | SIZE   | A      | B      | C      | D      | E     | WT. (Kg) |
|-----------|----------|--------|--------|--------|--------|--------|-------|----------|
| DF-474    | 82317    | 457 mm | 476 mm | 540 mm | 629 mm | 508 mm | 10 mm | 39       |

1- OTHER GASKET MATERIAL AVAILABLE.

## TWIST LOCK HATCH

**Nabrico Products**  
[www.nabrico-marine.com](http://www.nabrico-marine.com)

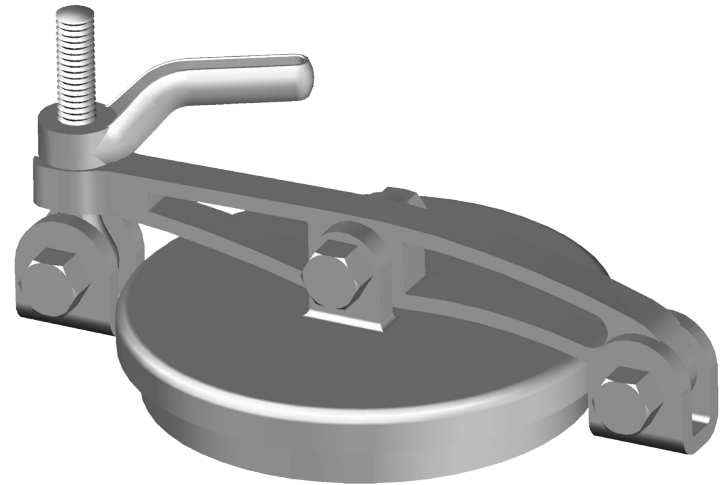
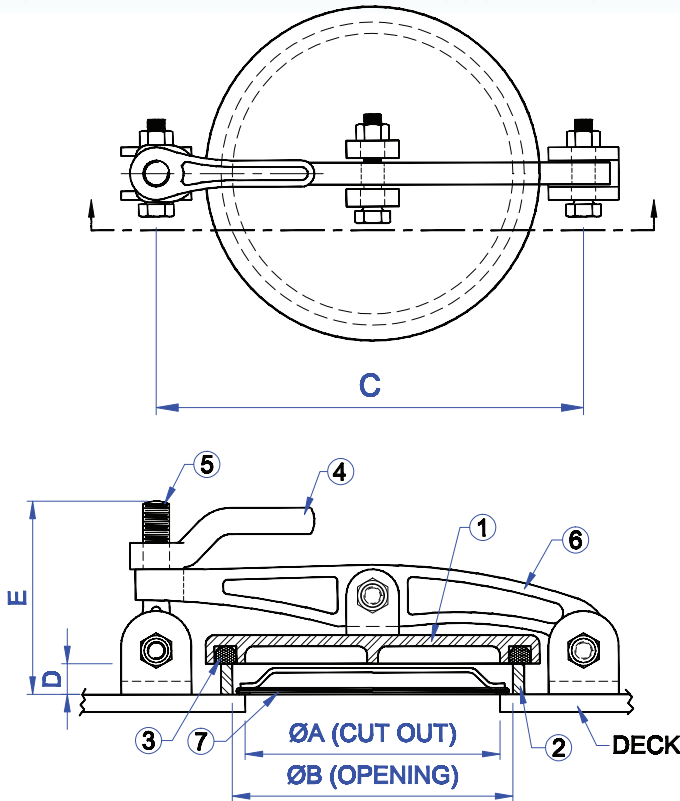
80

1250 Gateway Drive  
 Gallatin, Tennessee 37066  
 615-442-1300

The specifications and details described by drawings or text in this literature are subject to change without notice.



# NABRICO



| PIECE No. | DESCRIPTION    | PART No. |        | MATERIAL  |
|-----------|----------------|----------|--------|-----------|
|           |                | DF-112   | DF-144 |           |
| 1         | COVER ASSEMBLY | 6636     | 6637   | CAST IRON |
| 2         | COAMING RING   | 75665    | 75671  | STEEL     |
| 3         | GASKET         | 17169    | 17167  | NEOPRENE  |
| 4         | DOG HANDLE     | 74837    |        | IRON      |
| 5         | TUMBLE BOLT    | 10774    |        | BRONZE    |
| 6         | ULLAGE ARM     | 6831     |        | CAST IRON |
| 7         | FLAME SCREEN   | 6628     | 6629   | STAINLESS |

| MODEL No. | PART No. | SIZE   | ØA     | ØB     | C      | D     | E      | WT. (Kg) |
|-----------|----------|--------|--------|--------|--------|-------|--------|----------|
| DF-112    | 6646     | 152 mm | 140 mm | 154 mm | 311 mm | 22 mm | 165 mm | 8        |
| DF-144    | 6645     | 203 mm | 191 mm | 205 mm | 311 mm | 22 mm | 165 mm | 10       |

1- GASKET INCLUDED WITH COVER ASSEMBLY.  
2- OTHER GASKET MATERIALS AVAILABLE.

3- TUMBLE BOLT ALSO AVAILABLE AS STAINLESS.  
4- DOG HANDLE ALSO AVAILABLE AS SS, GALV'D OR BRONZE.

OTHER OPTIONAL EXTRAS INCLUDE: HOT DIPPED GALVANIZED, STAINLESS STEEL CONSTRUCTION, AND CUSTOM COAMING HEIGHTS

## SINGLE DOG ULLAGE HATCH

**Nabrico Products**  
www.nabrico-marine.com

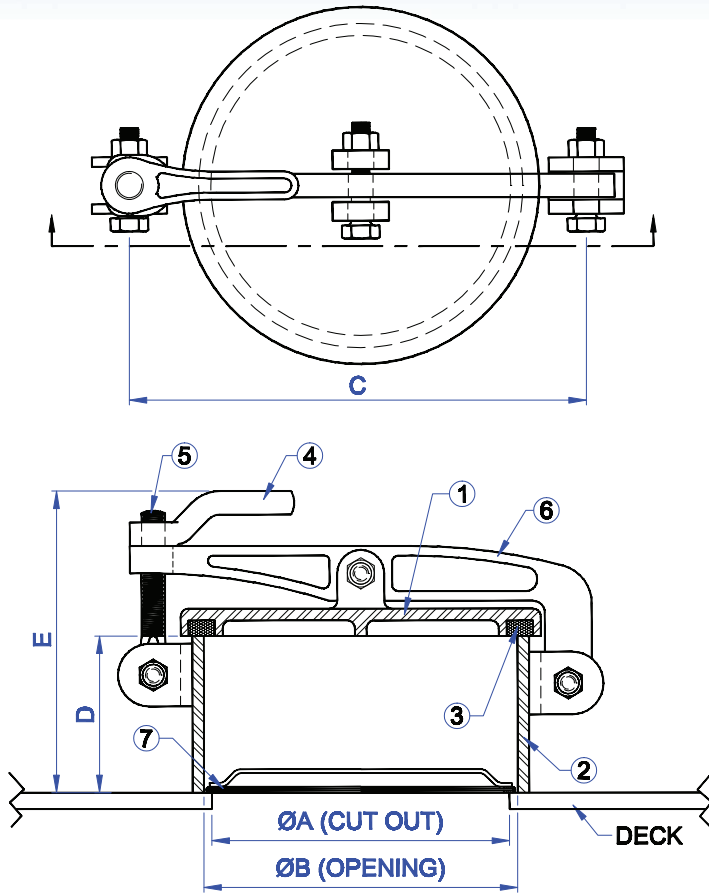
81

1250 Gateway Drive  
Gallatin, Tennessee 37066  
615-442-1300

The specifications and details described by drawings or text in this literature are subject to change without notice.



# NABRICO



| PIECE No. | DESCRIPTION    | PART No. | MATERIAL  |
|-----------|----------------|----------|-----------|
| 1         | COVER ASSEMBLY | 83062    | CAST IRON |
| 2         | COAMING RING   | 19526    | STEEL     |
| 3         | GASKET         | 82449    | NEOPRENE  |
| 4         | DOG HANDLE     | 74837    | IRON      |
| 5         | TUMBLE BOLT    | 10774    | BRONZE    |
| 6         | ULLAGE ARM     | 19461    | CAST IRON |
| 7         | FLAME SCREEN   | 19496    | STAINLESS |

| MODEL No. | PART No. | SIZE   | ØA     | ØB     | C      | D      | E      | WT. (Kg) |
|-----------|----------|--------|--------|--------|--------|--------|--------|----------|
| DF-569-5  | 83097    | 254 mm | 241 mm | 255 mm | 337 mm | 127 mm | 244 mm | 19       |

1- GASKET INCLUDED WITH COVER ASSEMBLY.  
2- OTHER GASKET MATERIALS AVAILABLE.

3- TUMBLE BOLT ALSO AVAILABLE AS STAINLESS.  
4- DOG HANDLE ALSO AVAILABLE AS SS, GALV'D OR BRONZE.

OTHER OPTIONAL EXTRAS INCLUDE: HOT DIPPED GALVANIZED, STAINLESS STEEL CONSTRUCTION, AND CUSTOM COAMING HEIGHTS

## SINGLE DOG ULLAGE HATCH

**Nabrico Products**  
www.nabrico-marine.com

82

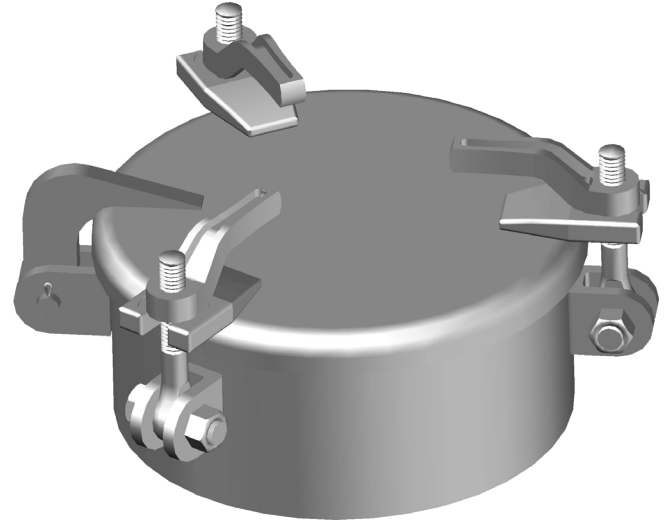
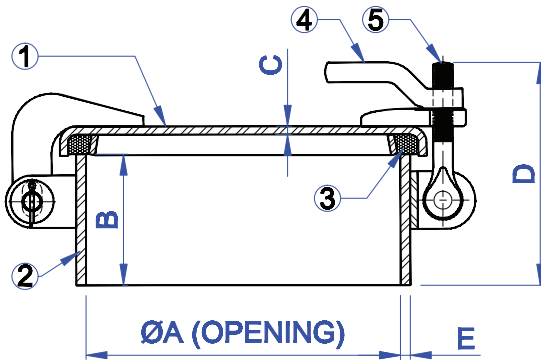
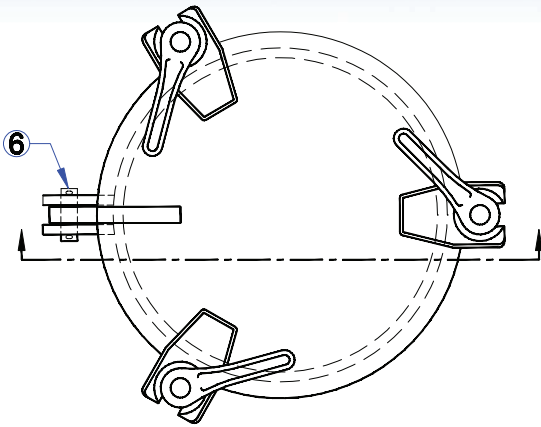
1250 Gateway Drive  
Gallatin, Tennessee 37066  
615-442-1300

The specifications and details described by drawings or text in this literature are subject to change without notice.





# NABRICO



| PIECE No. | DESCRIPTION        | PART No. | MATERIAL  |
|-----------|--------------------|----------|-----------|
| 1         | COVER ASSEMBLY     | 77909    | STEEL     |
| 2         | COAMING ASSEMBLY   | 76156    | STEEL     |
| 3         | GASKET             | 75981    | NEOPRENE  |
| 4         | DOG HANDLE         | 74837    | IRON      |
| 5         | TUMBLE BOLT        | 10774    | BRONZE    |
| 6         | HINGE PIN ASSEMBLY | 76067    | STAINLESS |

| MODEL No. | PART No. | SIZE   | ØA     | ØB     | C    | D      | E     | WT. (Kg) |
|-----------|----------|--------|--------|--------|------|--------|-------|----------|
| DF-456-5  | 75965    | 305 mm | 305 mm | 127 mm | 8 mm | 219 mm | 10 mm | 25       |

1- GASKET INCLUDED WITH COVER ASSEMBLY.  
2- OTHER GASKET MATERIALS AVAILABLE.

3- TUMBLE BOLTS ALSO AVAILABLE IN STAINLESS.  
4- DOG HANDLES ALSO AVAILABLE IN SS, GALV'D OR BRONZE.

OTHER OPTIONAL EXTRAS INCLUDE: HOT DIPPED GALVANIZED, STAINLESS STEEL CONSTRUCTION, FLAME SCREENS, AND CUSTOM COAMING HEIGHTS

## 3 DOG RAISED WATERTIGHT HATCH

**Nabrico Products**  
[www.nabrico-marine.com](http://www.nabrico-marine.com)

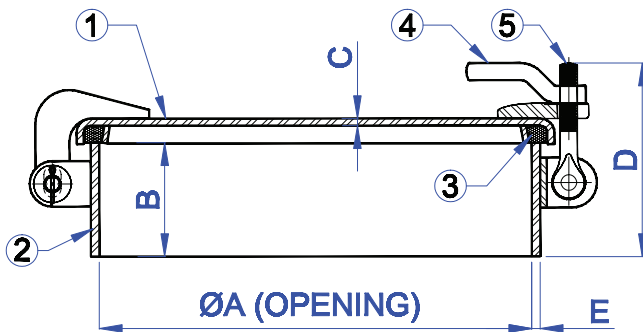
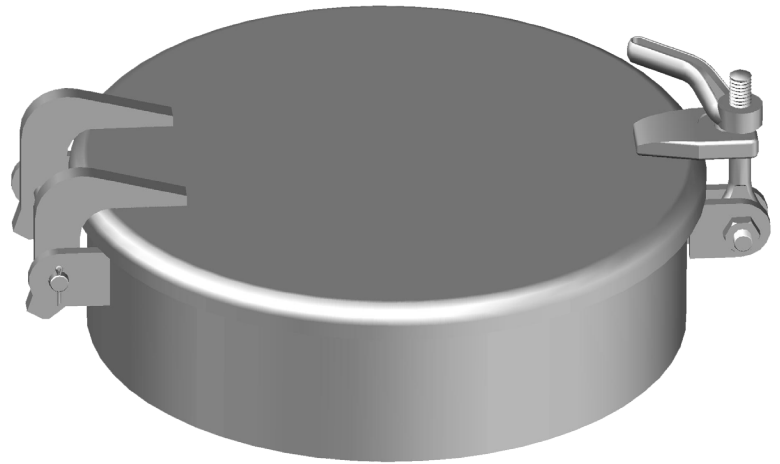
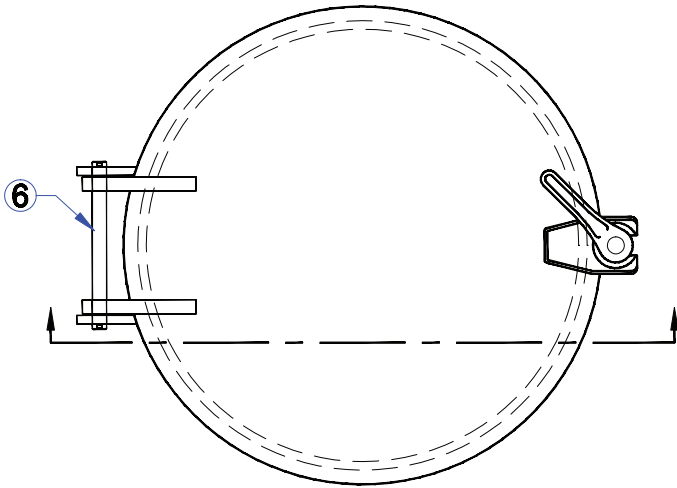
83

1250 Gateway Drive  
Gallatin, Tennessee 37066  
615-442-1300

The specifications and details described by drawings or text in this literature are subject to change without notice.



# NABRICO



| PIECE No. | DESCRIPTION        | PART No. | MATERIAL  |
|-----------|--------------------|----------|-----------|
| 1         | COVER ASSEMBLY     | 75019    | STEEL     |
| 2         | COAMING ASSEMBLY   | 75027    | STEEL     |
| 3         | GASKET             | 74497    | NEOPRENE  |
| 4         | DOG HANDLE         | 74837    | IRON      |
| 5         | TUMBLE BOLT        | 10774    | BRONZE    |
| 6         | HINGE PIN ASSEMBLY | 75077    | STAINLESS |

| MODEL No. | PART No. | SIZE   | ØA     | B      | C    | D      | E     | WT. (Kg) |
|-----------|----------|--------|--------|--------|------|--------|-------|----------|
| DF-543-5  | 21598    | 483 mm | 483 mm | 127 mm | 8 mm | 219 mm | 10 mm | 37       |

1- GASKET INCLUDED WITH COVER ASSEMBLY.  
2- OTHER GASKET MATERIALS AVAILABLE.

3- TUMBLE BOLT ALSO AVAILABLE AS STAINLESS.  
4- DOG HANDLE ALSO AVAILABLE AS SS, GALV'D OR BRONZE.

OTHER OPTIONAL EXTRAS INCLUDE: HOT DIPPED GALVANIZED, STAINLESS STEEL CONSTRUCTION, AND CUSTOM COAMING HEIGHTS.

## SINGLE DOG RAISED WATERTIGHT HATCH

**Nabrico Products**  
[www.nabrico-marine.com](http://www.nabrico-marine.com)

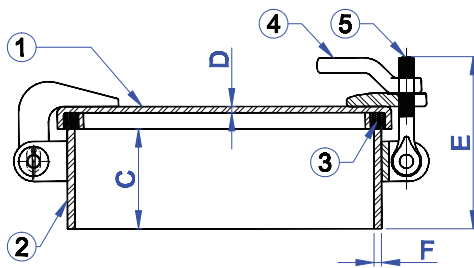
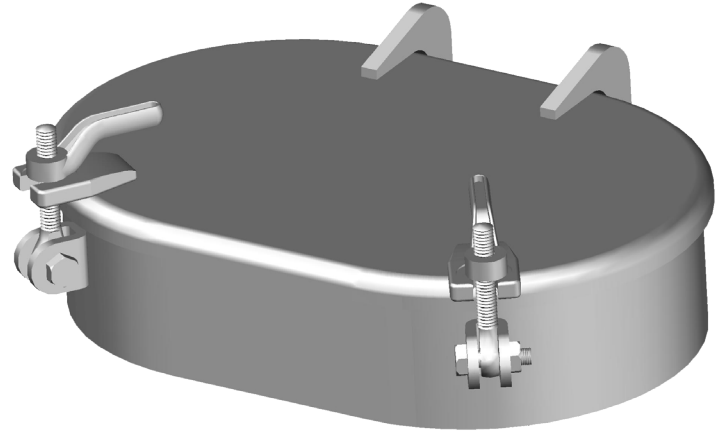
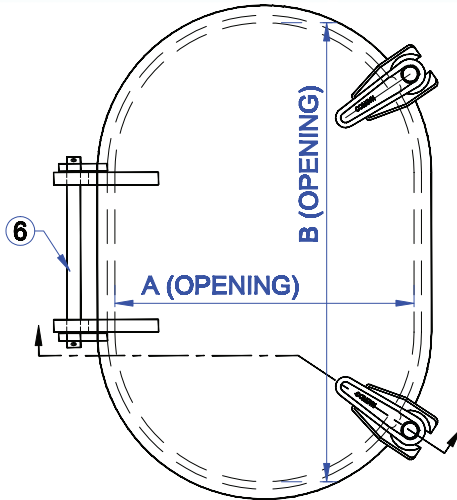
84

1250 Gateway Drive  
Gallatin, Tennessee 37066  
615-442-1300

The specifications and details described by drawings or text in this literature are subject to change without notice.



# NABRICO



| PIECE No. | DESCRIPTION        | PART No. | MATERIAL  |
|-----------|--------------------|----------|-----------|
| 1         | COVER ASSEMBLY     | 89550    | STEEL     |
| 2         | COAMING ASSEMBLY   | 74099    | STEEL     |
| 3         | GASKET             | 74497    | NEOPRENE  |
| 4         | DOG HANDLE         | 74837    | IRON      |
| 5         | TUMBLE BOLT        | 10774    | BRONZE    |
| 6         | HINGE PIN ASSEMBLY | 73998    | STAINLESS |

| MODEL No. | PART No. | SIZE    | A      | B      | C      | D    | E      | F     | WT. (Kg) |
|-----------|----------|---------|--------|--------|--------|------|--------|-------|----------|
| DF-274-5  | 89559    | 381x584 | 381 mm | 584 mm | 127 mm | 8 mm | 219 mm | 10 mm | 41       |

1- GASKET INCLUDED WITH COVER ASSEMBLY.  
2- OTHER GASKET MATERIALS AVAILABLE.

3- TUMBLE BOLTS ALSO AVAILABLE IN STAINLESS.  
4- DOG HANDLES ALSO AVAILABLE IN SS, GALV'D OR BRONZE.

OTHER OPTIONAL EXTRAS INCLUDE: HOT DIPPED GALVANIZED, STAINLESS STEEL CONSTRUCTION, FLAME SCREENS, AND CUSTOM COAMING HEIGHTS.

## 2 DOG RAISED WATERTIGHT HATCH

**Nabrico Products**  
[www.nabrico-marine.com](http://www.nabrico-marine.com)

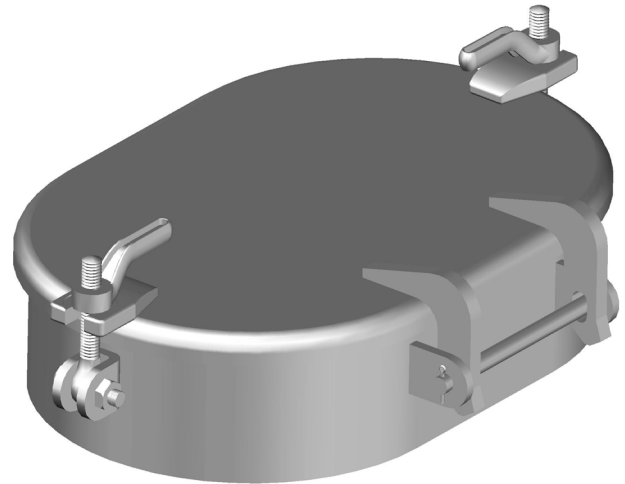
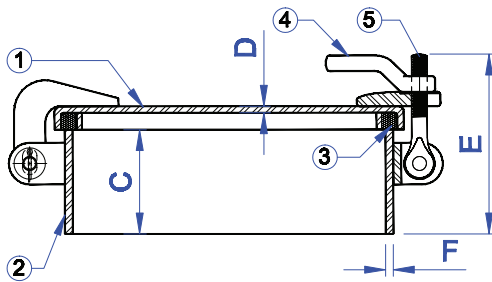
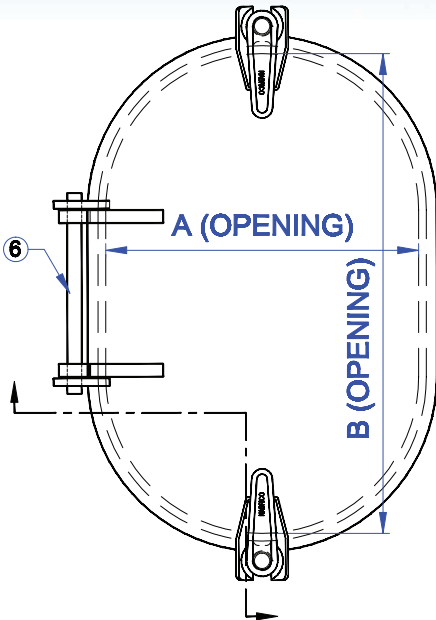
85

1250 Gateway Drive  
Gallatin, Tennessee 37066  
615-442-1300

The specifications and details described by drawings or text in this literature are subject to change without notice.



# NABRICO



| PIECE No. | DESCRIPTION        | PART No. | MATERIAL  |
|-----------|--------------------|----------|-----------|
| 1         | COVER ASSEMBLY     | 73148    | STEEL     |
| 2         | COAMING ASSEMBLY   | 74100    | STEEL     |
| 3         | GASKET             | 74497    | NEOPRENE  |
| 4         | DOG HANDLE         | 74837    | IRON      |
| 5         | TUMBLE BOLT        | 10774    | BRONZE    |
| 6         | HINGE PIN ASSEMBLY | 73998    | STAINLESS |

| MODEL No. | PART No. | SIZE    | A      | B      | C      | D    | E      | F     | WT. (Kg) |
|-----------|----------|---------|--------|--------|--------|------|--------|-------|----------|
| DF-774-5  | 72481    | 381x584 | 381 mm | 584 mm | 127 mm | 8 mm | 219 mm | 10 mm | 41       |

1- GASKET INCLUDED WITH COVER ASSEMBLY.  
2- OTHER GASKET MATERIALS AVAILABLE.

3- TUMBLE BOLT ALSO AVAILABLE IN STAINLESS.  
4- DOG HANDLE ALSO AVAILABLE IN SS, GALV'D OR BRONZE.

OTHER OPTIONAL EXTRAS INCLUDE: HOT DIPPED GALVANIZED, STAINLESS STEEL CONSTRUCTION, FLAME SCREENS, AND CUSTOM COAMING HEIGHTS.

## 2 DOG RAISED WATERTIGHT HATCH

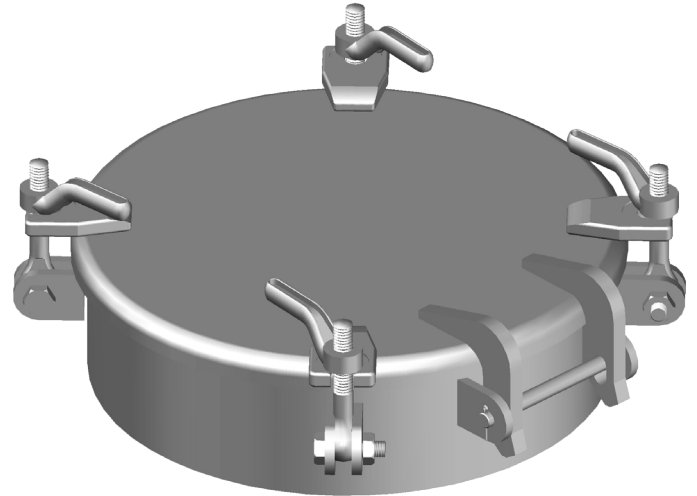
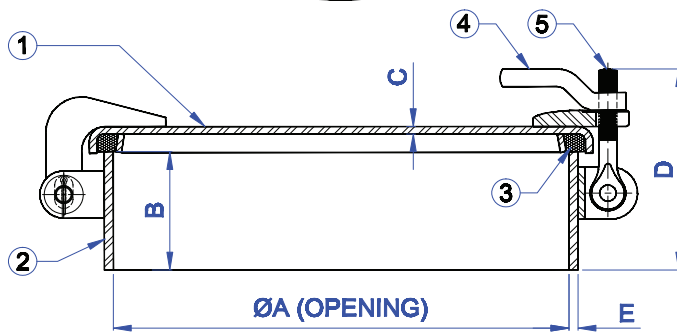
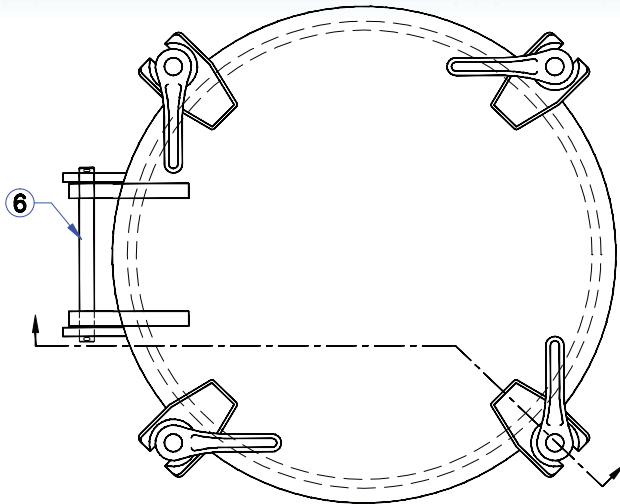
**Nabrico Products**  
www.nabrico-marine.com

1250 Gateway Drive  
Gallatin, Tennessee 37066  
615-442-1300





# NABRICO



| PIECE No. | DESCRIPTION        | PART No. | MATERIAL  |
|-----------|--------------------|----------|-----------|
| 1         | COVER ASSEMBLY     | 77895    | STEEL     |
| 2         | COAMING ASSEMBLY   | 75026    | STEEL     |
| 3         | GASKET             | 74497    | NEOPRENE  |
| 4         | DOG HANDLE         | 74837    | IRON      |
| 5         | TUMBLE BOLT        | 10774    | BRONZE    |
| 6         | HINGE PIN ASSEMBLY | 75077    | STAINLESS |

| MODEL No. | PART No. | SIZE   | ØA     | B      | C    | D      | E     | WT. (Kg) |
|-----------|----------|--------|--------|--------|------|--------|-------|----------|
| DF-343-5  | 74950    | 483 mm | 483 mm | 127 mm | 8 mm | 219 mm | 10 mm | 41       |

1- GASKET INCLUDED WITH COVER ASSEMBLY.  
2- OTHER GASKET MATERIALS AVAILABLE.

3- TUMBLE BOLTS ALSO AVAILABLE IN STAINLESS.  
4- DOG HANDLES ALSO AVAILABLE IN SS, GALV'D OR BRONZE.

OTHER OPTIONAL EXTRAS INCLUDE: HOT DIPPED GALVANIZED, STAINLESS STEEL CONSTRUCTION, FLAME SCREENS, AND CUSTOM COAMING HEIGHTS.

## 4 DOG RAISED WATERTIGHT HATCH

**Nabrico Products**  
[www.nabrico-marine.com](http://www.nabrico-marine.com)

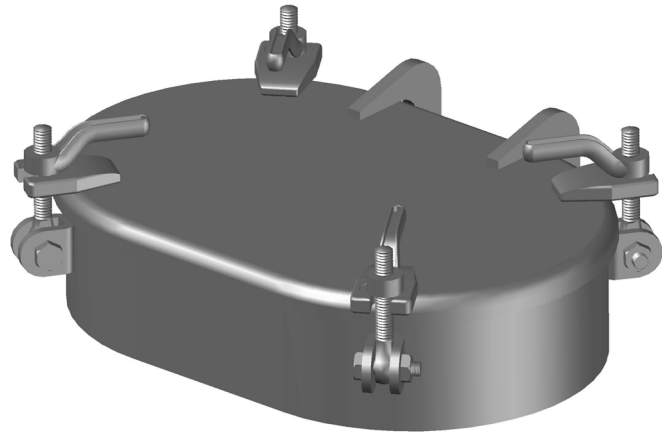
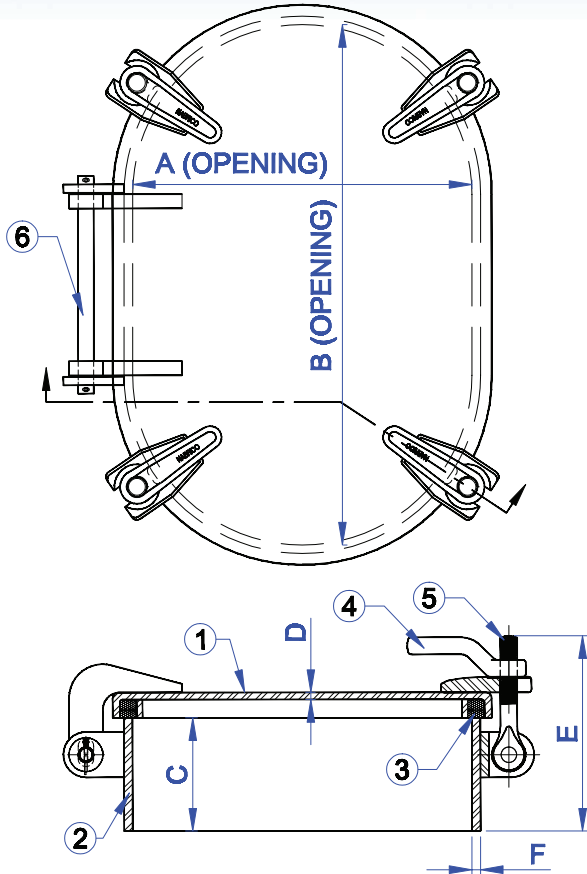
87

1250 Gateway Drive  
Gallatin, Tennessee 37066  
615-442-1300

The specifications and details described by drawings or text in this literature are subject to change without notice.



# NABRICO



| PIECE No. | DESCRIPTION        | PART No. |       | MATERIAL  |
|-----------|--------------------|----------|-------|-----------|
| 1         | COVER ASSEMBLY     | 77887    | 78484 | STEEL     |
| 2         | COAMING ASSEMBLY   | 74897    | 19551 | STEEL     |
| 3         | GASKET             | 74497    | 78530 | NEOPRENE  |
| 4         | DOG HANDLE         | 74837    |       | IRON      |
| 5         | TUMBLE BOLT        | 10774    |       | BRONZE    |
| 6         | HINGE PIN ASSEMBLY | 73999    | 75077 | STAINLESS |

| MODEL No. | PART No. | SIZE    | A      | B      | C      | D    | E      | F     | WT. (Kg) |
|-----------|----------|---------|--------|--------|--------|------|--------|-------|----------|
| DF-174-5  | 72451    | 381x584 | 381 mm | 584 mm | 127 mm | 8 mm | 219 mm | 10 mm | 43       |
| DF-464-5  | 78514    | 457x610 | 464 mm | 616 mm | 127 mm | 8 mm | 219 mm | 10 mm | 48       |

1- GASKET INCLUDED WITH COVER ASSEMBLY.  
2- OTHER GASKET MATERIALS AVAILABLE.

3- TUMBLE BOLTS ALSO AVAILABLE IN STAINLESS.  
4- DOG HANDLES ALSO AVAILABLE IN SS, GALV'D OR BRONZE.

OTHER OPTIONAL EXTRAS INCLUDE: HOT DIPPED GALVANIZED, STAINLESS STEEL CONSTRUCTION, FLAME SCREENS, AND CUSTOM COAMING HEIGHTS.

## 4 DOG RAISED WATERTIGHT HATCH

**Nabrico Products**  
[www.nabrico-marine.com](http://www.nabrico-marine.com)

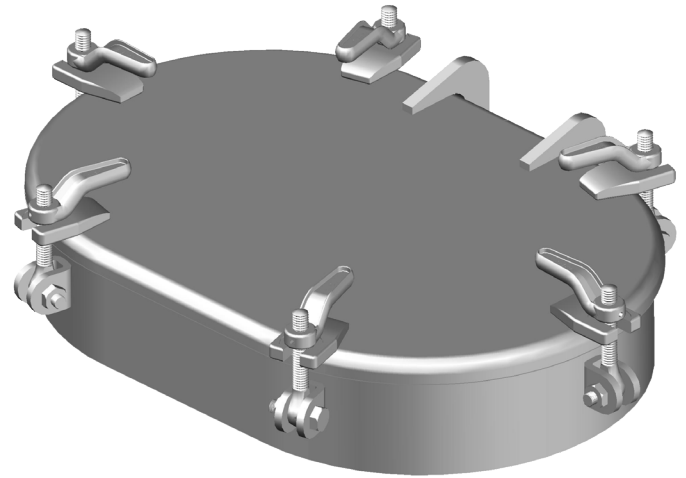
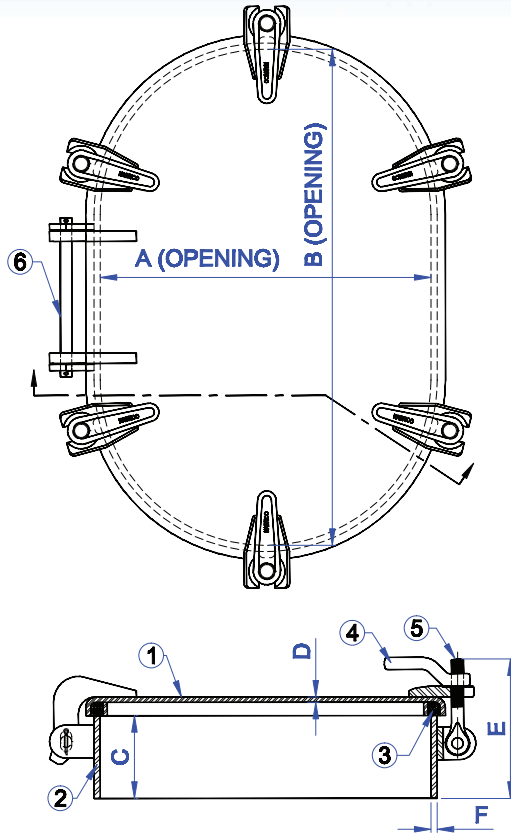
88

1250 Gateway Drive  
Gallatin, Tennessee 37066  
615-442-1300

The specifications and details described by drawings or text in this literature are subject to change without notice.



# NABRICO



| PIECE No. | DESCRIPTION        | PART No. | MATERIAL  |
|-----------|--------------------|----------|-----------|
| 1         | COVER ASSEMBLY     | 78478    | STEEL     |
| 2         | COAMING ASSEMBLY   | 78476    | STEEL     |
| 3         | GASKET             | 78479    | NEOPRENE  |
| 4         | DOG HANDLE         | 74837    | IRON      |
| 5         | TUMBLE BOLT        | 10774    | BRONZE    |
| 6         | HINGE PIN ASSEMBLY | 75077    | STAINLESS |

| MODEL No. | PART No. | SIZE    | A      | B      | C      | D    | E      | F     | WT. (Kg) |
|-----------|----------|---------|--------|--------|--------|------|--------|-------|----------|
| DF-686-5  | 78480    | 508x762 | 508 mm | 762 mm | 127 mm | 8 mm | 219 mm | 10 mm | 52       |

1- GASKET INCLUDED WITH COVER ASSEMBLY.  
2- OTHER GASKET MATERIALS AVAILABLE.

3- TUMBLE BOLTS ALSO AVAILABLE IN STAINLESS.  
4- DOG HANDLES ALSO AVAILABLE IN SS, GALV'D OR BRONZE.

OTHER OPTIONAL EXTRAS INCLUDE: HOT DIPPED GALVANIZED, STAINLESS STEEL CONSTRUCTION, FLAME SCREENS, AND CUSTOM COAMING HEIGHTS.

## 6 DOG RAISED WATERTIGHT HATCH

**Nabrico Products**  
www.nabrico-marine.com

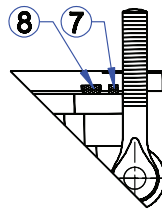
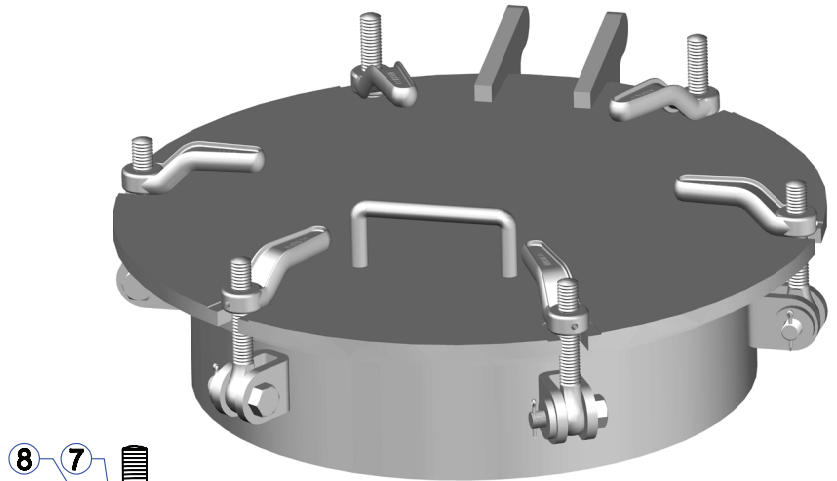
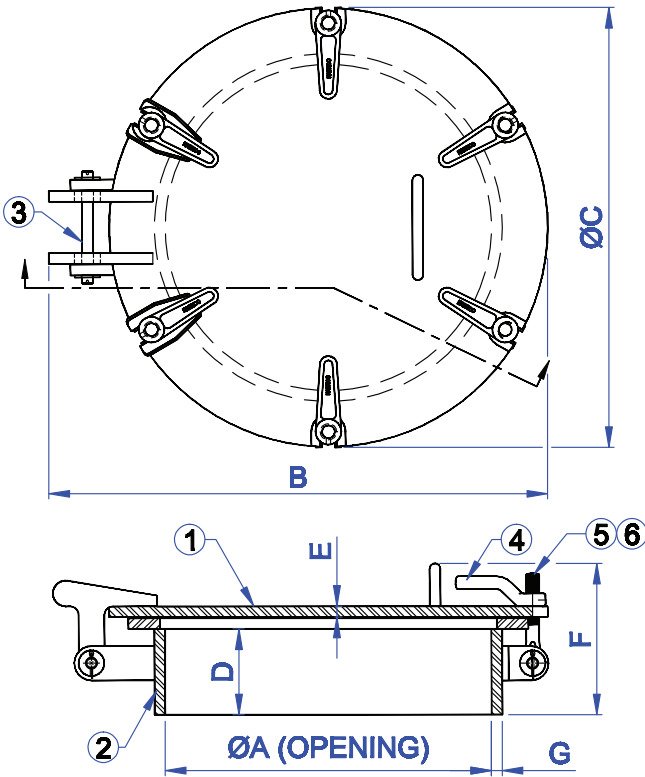
89

1250 Gateway Drive  
Gallatin, Tennessee 37066  
615-442-1300

The specifications and details described by drawings or text in this literature are subject to change without notice.



# NABRICO



Gasket Detail

| PIECE No. | DESCRIPTION                   | PART No. | MATERIAL   |
|-----------|-------------------------------|----------|------------|
| 1         | COVER ASSEMBLY                | 21211    | STAINLESS  |
| 2         | COAMING ASSEMBLY              | 21212    | STAINLESS  |
| 3         | HINGE PIN ASSEMBLY            | 21215    | STAINLESS  |
| 4         | DOG HANDLE W / GREASE FITTING | 74838    | GALVANIZED |
| 5         | TUMBLE BOLT (QTY-4)           | 87939    | STAINLESS  |
| 6         | TUMBLE BOLT (QTY-2)           | 87938    | STAINLESS  |
| 7         | OUTER GASKET                  | 21808    | VITON      |
| 8         | INNER GASKET                  | 21809    | TEFLON     |

| MODEL No. | PART No. | SIZE   | ØA     | B      | ØC     | D      | E     | F      | G     | WT. (Kg) |
|-----------|----------|--------|--------|--------|--------|--------|-------|--------|-------|----------|
| DF-346-5  | 21158    | 483 mm | 483 mm | 737 mm | 651 mm | 127 mm | 16 mm | 224 mm | 16 mm | 91       |

## 6 DOG RAISED (6 PSI) ROUND HATCH

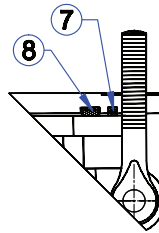
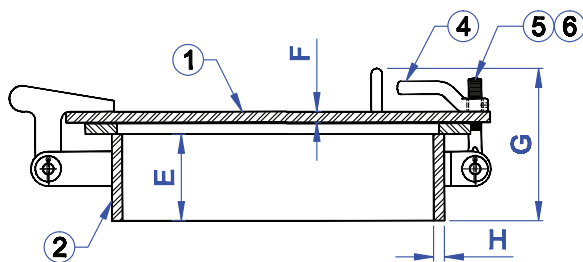
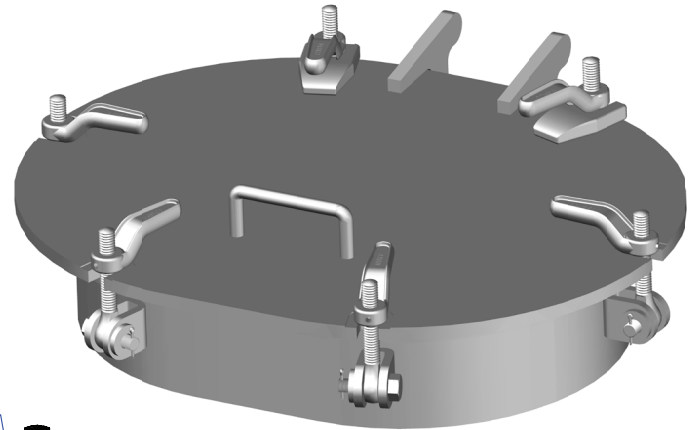
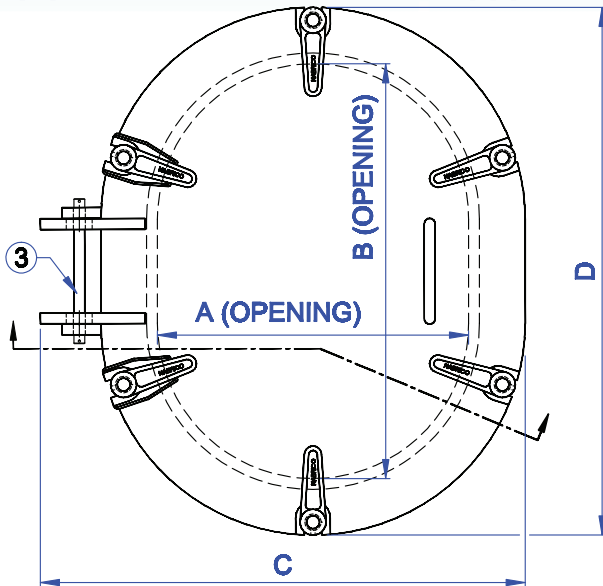
**Nabrico Products**  
[www.nabrico-marine.com](http://www.nabrico-marine.com)

1250 Gateway Drive  
 Gallatin, Tennessee 37066  
 615-442-1300





# NABRICO



Gasket Detail

| PIECE No. | DESCRIPTION                   | PART No. | MATERIAL   |
|-----------|-------------------------------|----------|------------|
| 1         | COVER ASSEMBLY                | 21213    | STAINLESS  |
| 2         | COAMING ASSEMBLY              | 21214    | STAINLESS  |
| 3         | HINGE PIN ASSEMBLY            | 21218    | STAINLESS  |
| 4         | DOG HANDLE W / GREASE FITTING | 74838    | GALVANIZED |
| 5         | TUMBLE BOLT (QTY-4)           | 87939    | STAINLESS  |
| 6         | TUMBLE BOLT (QTY-2)           | 87938    | STAINLESS  |
| 7         | OUTER GASKET                  | 21810    | VITON      |
| 8         | INNER GASKET                  | 21811    | TEFLON     |

| MODEL No. | PART No. | SIZE        | A         | B         | C         | D         | E         | F        | G         | H        | WT. (Kg) |
|-----------|----------|-------------|-----------|-----------|-----------|-----------|-----------|----------|-----------|----------|----------|
| DF-466-5  | 21157    | 457x<br>610 | 457<br>mm | 610<br>mm | 711<br>mm | 775<br>mm | 127<br>mm | 16<br>mm | 224<br>mm | 16<br>mm | 113      |

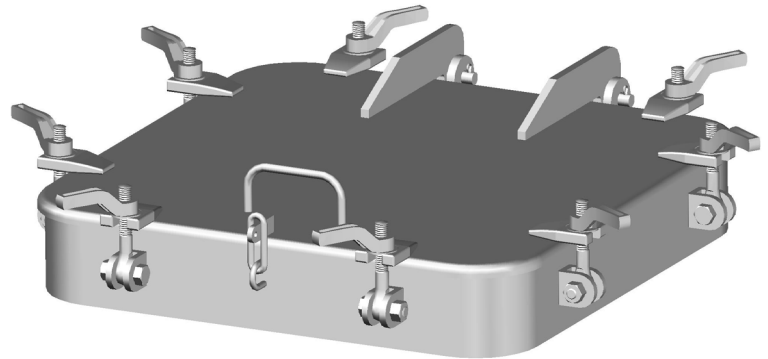
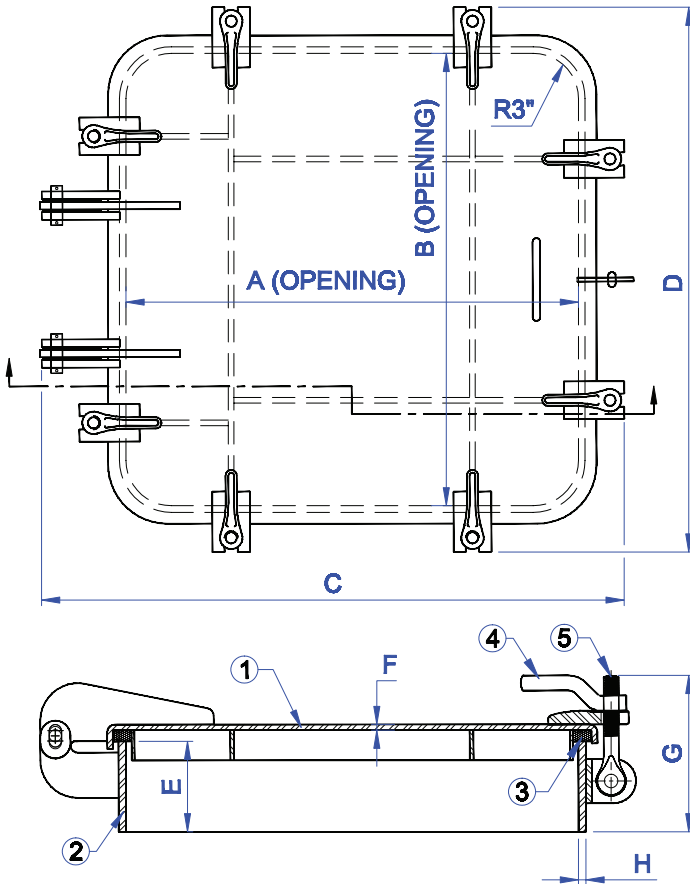
## 6 DOG RAISED (6 PSI) OVAL HATCH

**Nabrico Products**  
[www.nabrico-marine.com](http://www.nabrico-marine.com)

1250 Gateway Drive  
 Gallatin, Tennessee 37066  
 615-442-1300



# NABRICO



| PIECE No. | DESCRIPTION      | PART No. | MATERIAL |
|-----------|------------------|----------|----------|
| 1         | COVER ASSEMBLY   | 73974    | STEEL    |
| 2         | COAMING ASSEMBLY | 73976    | STEEL    |
| 3         | GASKET           | 87760    | NEOPRENE |
| 4         | DOG HANDLE       | 17744    | BRASS    |
| 5         | TUMBLE BOLT      | 10774    | BRONZE   |

| MODEL No. | PART No. | SIZE        | A         | B         | C         | D         | E         | F       | G         | H        | WT. (Kg) |
|-----------|----------|-------------|-----------|-----------|-----------|-----------|-----------|---------|-----------|----------|----------|
| DF-475-5  | 87742    | 762x<br>762 | 762<br>mm | 762<br>mm | 984<br>mm | 918<br>mm | 127<br>mm | 6<br>mm | 210<br>mm | 11<br>mm | 100      |

1- GASKET INCLUDED WITH COVER ASSEMBLY.  
2- OTHER GASKET MATERIALS AVAILABLE.

3- TUMBLE BOLTS ALSO AVAILABLE IN STAINLESS.  
4- DOG HANDLES ALSO AVAILABLE IN SS, GALV'D OR BRONZE.

OTHER OPTIONAL EXTRAS INCLUDE: HOT DIPPED GALVANIZED, STAINLESS STEEL CONSTRUCTION, FLAME SCREENS, AND CUSTOM COAMING HEIGHTS.

## 8 DOG RAISED WATERTIGHT HATCH

**Nabrico Products**  
[www.nabrico-marine.com](http://www.nabrico-marine.com)

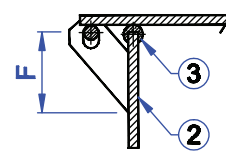
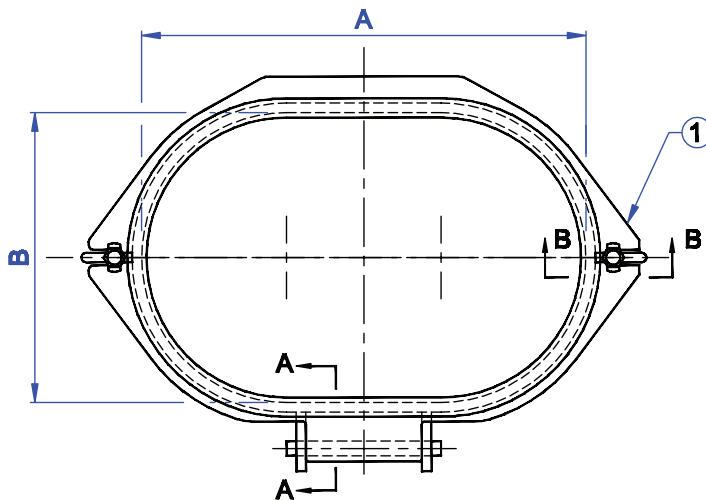
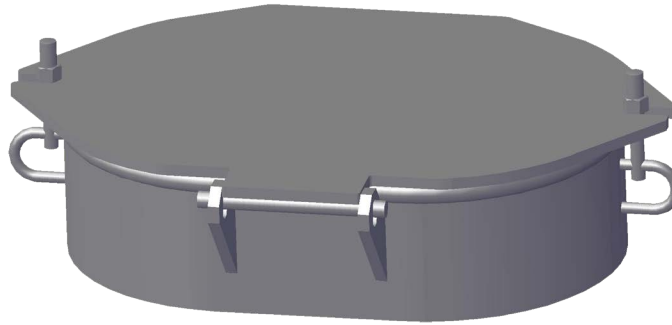
92

1250 Gateway Drive  
Gallatin, Tennessee 37066  
615-442-1300

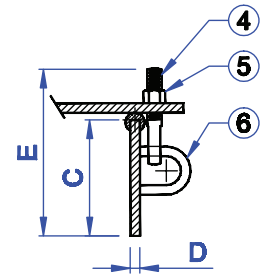
The specifications and details described by drawings or text in this literature are subject to change without notice.



# NABRICO



SECTION A-A



SECTION B-B

| PIECE No. | DESCRIPTION      | PART No. | MATERIAL        |
|-----------|------------------|----------|-----------------|
| 1         | COVER ASSEMBLY   | 93394    | STEEL           |
| 2         | COAMING ASSEMBLY | 93432    | STEEL           |
| 3         | GASKET           | 93440    | NEOPRENE        |
| 4         | TUMBLE BOLT      | 10774    | BRONZE          |
| 5         | NUT              | 93386    | STEEL           |
| 6         | STAPLE           | 93459    | STAINLESS STEEL |

| MODEL No. | PART No. | A      | B      | C      | D      | E      | F     | G     | H      | WT. (Kg) |
|-----------|----------|--------|--------|--------|--------|--------|-------|-------|--------|----------|
| DF-547-6  | 93289    | 676 mm | 519 mm | 584 mm | 381 mm | 152 mm | 13 mm | 13 mm | 267 mm | 54       |

1- OTHER GASKET MATERIAL AVAILABLE.

## TWO BOLT MANHOLE

**Nabrico Products**  
[www.nabrico-marine.com](http://www.nabrico-marine.com)

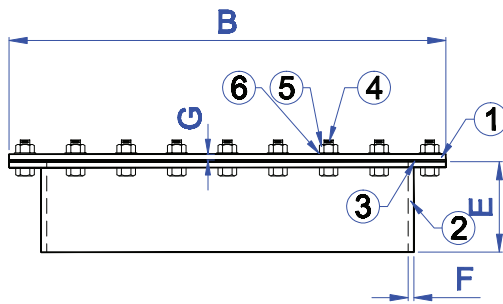
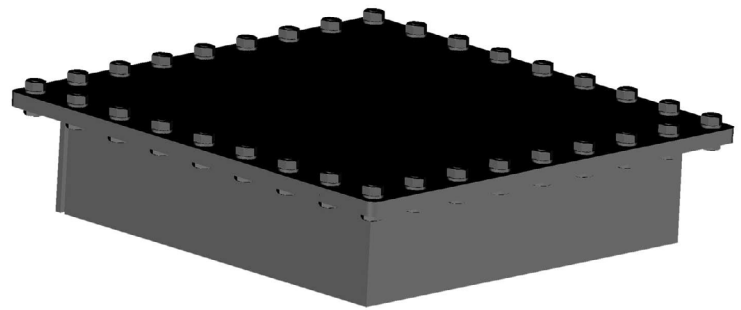
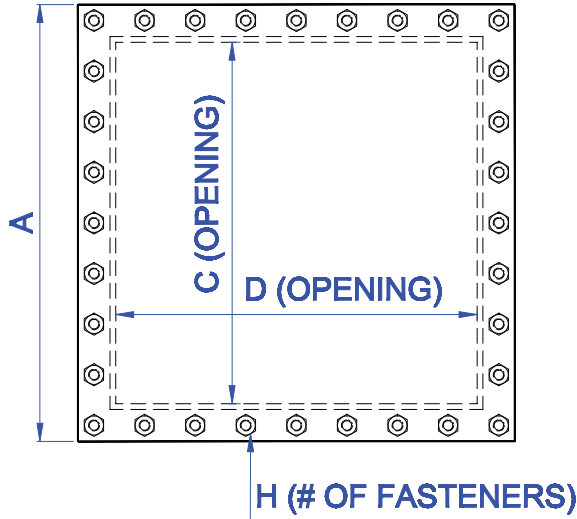
93

1250 Gateway Drive  
 Gallatin, Tennessee 37066  
 615-442-1300

The specifications and details described by drawings or text in this literature are subject to change without notice.



# NABRICO



| PIECE No. | DESCRIPTION      | MATERIAL  |
|-----------|------------------|-----------|
| 1         | COVER ASSEMBLY   | STEEL     |
| 2         | COAMING ASSEMBLY | STEEL     |
| 3         | GASKET           | NEOPRENE  |
| 4         | HEX HEAD BOLT    | STEEL     |
| 5         | HEX NUT          | STAINLESS |
| 6         | WASHER           | BRASS     |

| MODEL No. | PART No. | SIZE        | A         | B         | C         | D         | E         | F        | G        | H  | WT. (Kg) |
|-----------|----------|-------------|-----------|-----------|-----------|-----------|-----------|----------|----------|----|----------|
| DF-587-6  | 21072    | 610x<br>610 | 737<br>mm | 737<br>mm | 610<br>mm | 610<br>mm | 152<br>mm | 10<br>mm | 10<br>mm | 32 | 170      |

1- ADDITIONAL COAMING HEIGHTS AVAILABLE.  
2- ADDITIONAL OPENING DIMENSIONS AVAILABLE.

3- OTHER GASKET MATERIALS AVAILABLE.  
4- OTHER BOLT, NUT AND WASHER COMBINATIONS AVAILABLE.

## VALVE REMOVAL HATCH

**Nabrico Products**  
[www.nabrico-marine.com](http://www.nabrico-marine.com)

94

1250 Gateway Drive  
Gallatin, Tennessee 37066  
615-442-1300

The specifications and details described by drawings or text in this literature are subject to change without notice.

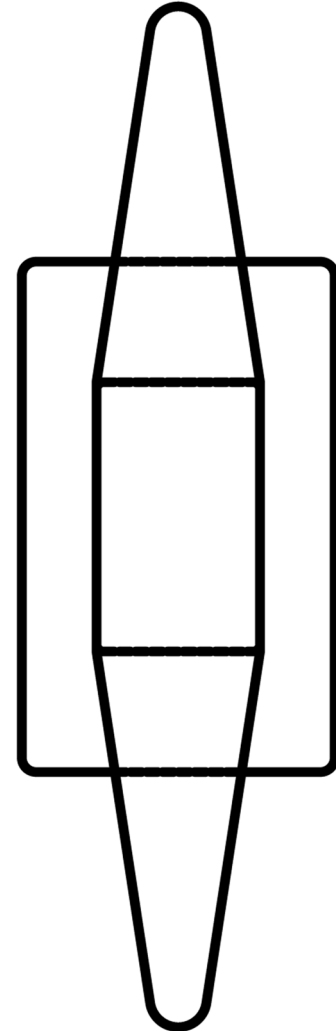
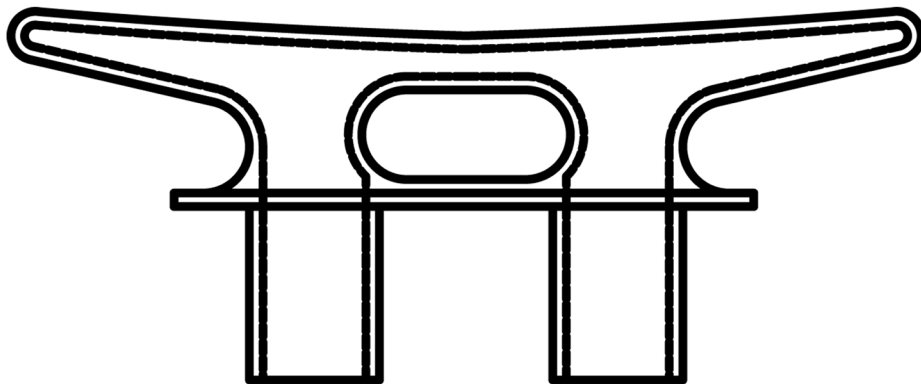


# KEVELS

NABRICO offers a wide range of cast steel level chocks needed for proper and efficient marine duties. All castings are produced using A27 cast steel and are normally supplied raw from the foundry. While castings are usually preferred in this state, NABRICO has the capability to blast and paint with a zinc primer or provide most castings in Stainless Steel. Kevels are available in a variety of styles and sizes that include: steel level chocks in 24", 36", 42", and 48", cast steel in 18", 36", 42" and 48", cast steel heavy in 30" and 48", cast steel raised in 48", and cast steel thru deck in 42" and 48". Whatever the job, NABRICO has a kevel that meets your needs.

## KEVELS

|                             |     |
|-----------------------------|-----|
| CAST STEEL                  | 96  |
| CAST STEEL HEAVY            | 97  |
| CAST STEEL KEVEL CHOCK      | 98  |
| CAST STEEL THRU DECK        | 99  |
| CAST STEEL RAISED           | 100 |
| CAST STEEL RAISED THRU DECK | 101 |



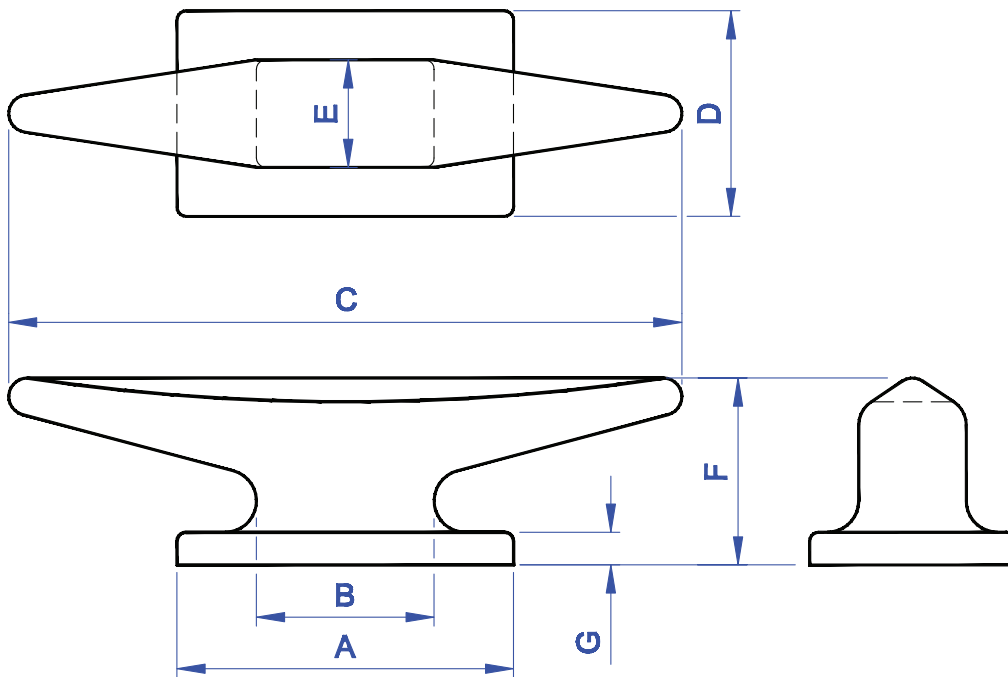
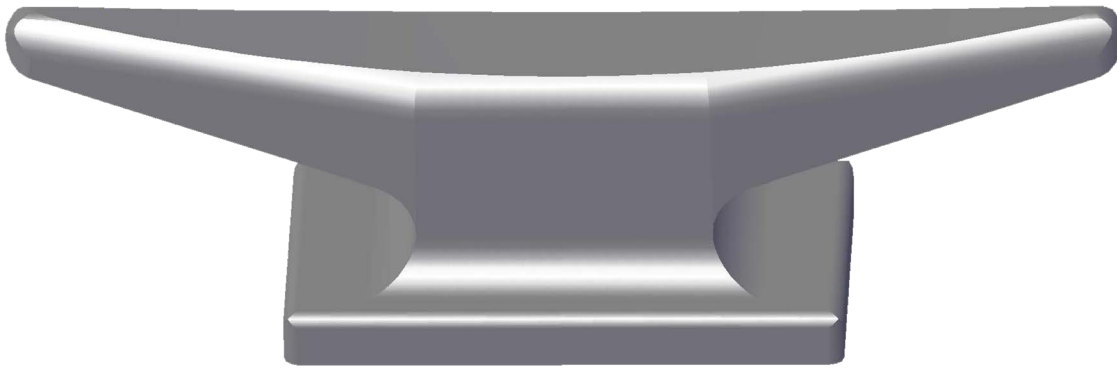
**Nabrico Products**  
[www.nabrico-marine.com](http://www.nabrico-marine.com)

95

1250 Gateway Drive  
Gallatin, Tennessee 37066  
615-442-1300



# NABRICO



| MODEL No. | PART No. | SIZE   | A      | B      | C      | D      | E     | F      | G     | WT. (Kg) |
|-----------|----------|--------|--------|--------|--------|--------|-------|--------|-------|----------|
| DF-518    | 87920    | 457 mm | 229 mm | 121 mm | 457 mm | 140 mm | 73 mm | 127 mm | 22 mm | 16       |

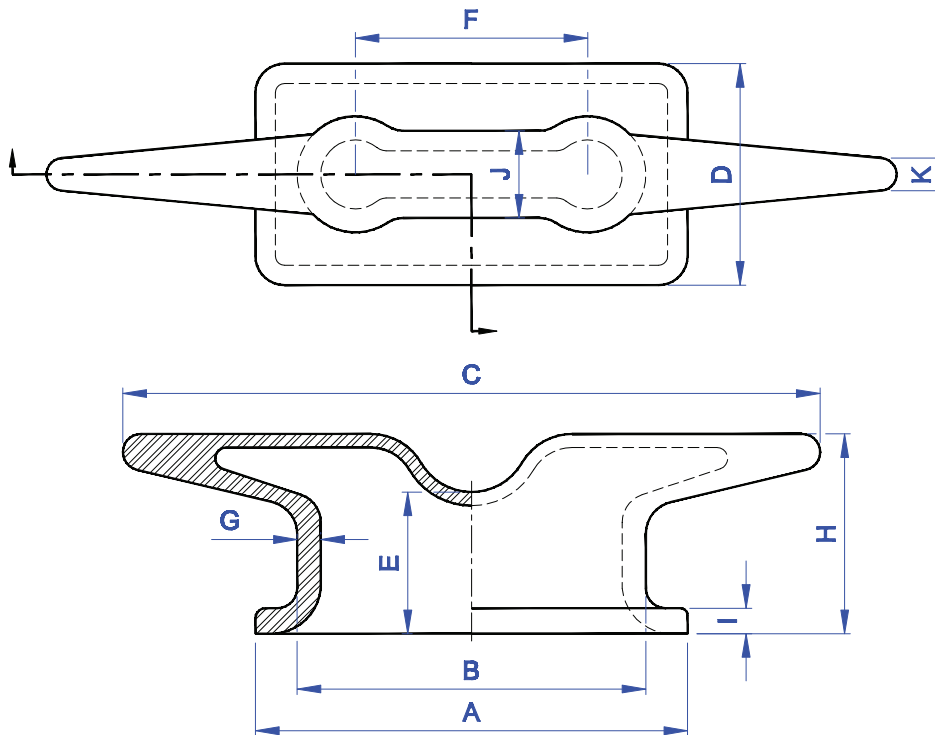
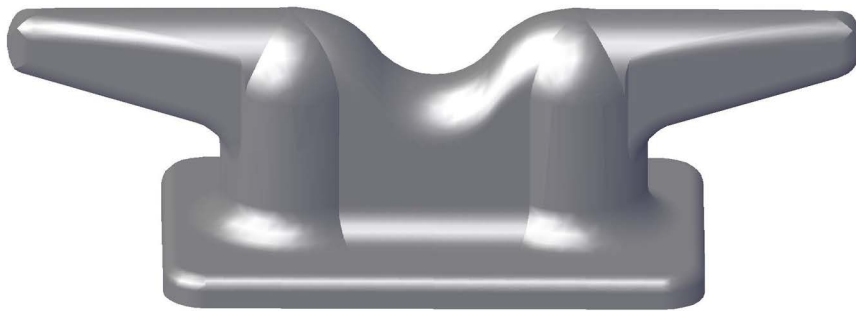
## CAST STEEL KEVEL

**Nabrico Products**  
[www.nabrico-marine.com](http://www.nabrico-marine.com)

1250 Gateway Drive  
 Gallatin, Tennessee 37066  
 615-442-1300



# NABRICO



| MODEL No.  | PART No. | SIZE    | A      | B      | C       | D      | E      | F      | G     | H      | I     | J      | ØK    | WT. (Kg) |
|------------|----------|---------|--------|--------|---------|--------|--------|--------|-------|--------|-------|--------|-------|----------|
| DF-488     | 89338    | 762 mm  | 483 mm | 381 mm | 762 mm  | 286 mm | 162 mm | 254 mm | 32 mm | 225 mm | 35 mm | 95 mm  | 44 mm | 82       |
| DFSK- HC48 | 89340    | 1219 mm | 756 mm | 610 mm | 1219 mm | 387 mm | 248 mm | 406 mm | 41 mm | 349 mm | 44 mm | 152 mm | 57 mm | 200      |

## CAST STEEL HEAVY KEEL

**Nabrico Products**  
[www.nabrico-marine.com](http://www.nabrico-marine.com)

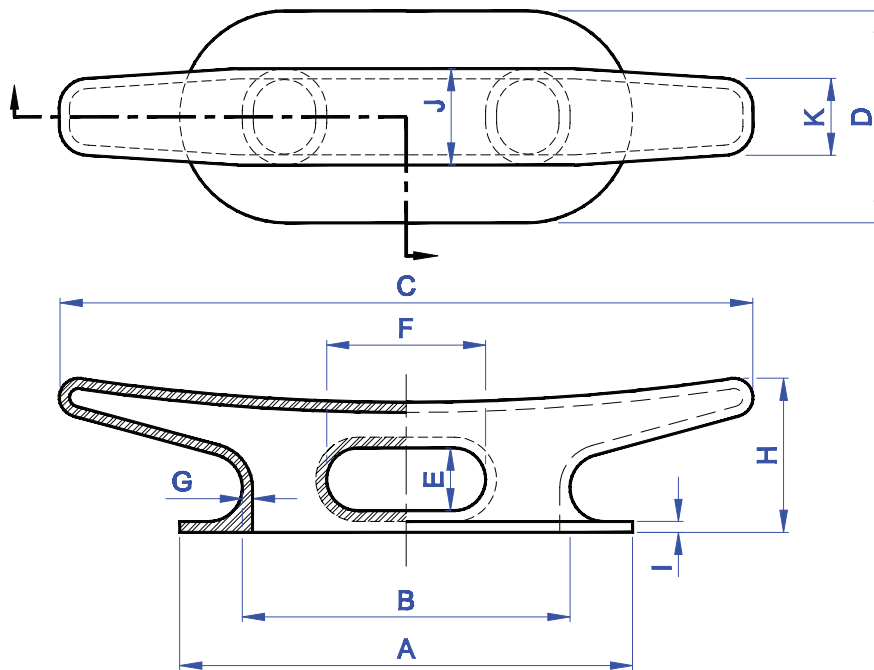
97

1250 Gateway Drive  
 Gallatin, Tennessee 37066  
 615-442-1300

The specifications and details described by drawings or text in this literature are subject to change without notice.



# NABRICO



| MODEL No. | PART No. | SIZE    | A      | B      | C       | D      | E      | F      | G     | H      | I     | J      | K      | WT. (Kg) |
|-----------|----------|---------|--------|--------|---------|--------|--------|--------|-------|--------|-------|--------|--------|----------|
| DF-30     | 18562    | 610 mm  | 267 mm | 229 mm | 610 mm  | 191 mm | 57 mm  | 83 mm  | 13 mm | 143 mm | 13 mm | 102 mm | 76 mm  | 23       |
| DF-482    | 20265    | 914 mm  | 597 mm | 432 mm | 914 mm  | 279 mm | 83 mm  | 210 mm | 14 mm | 203 mm | 14 mm | 127 mm | 102 mm | 48       |
| DF-483    | 20273    | 1067 mm | 679 mm | 508 mm | 1067 mm | 318 mm | 105 mm | 244 mm | 16 mm | 229 mm | 16 mm | 152 mm | 121 mm | 73       |
| DF-484    | 20257    | 1219 mm | 762 mm | 584 mm | 1219 mm | 356 mm | 127 mm | 279 mm | 19 mm | 254 mm | 19 mm | 178 mm | 140 mm | 100      |

## CAST STEEL KEVEL CHOCK

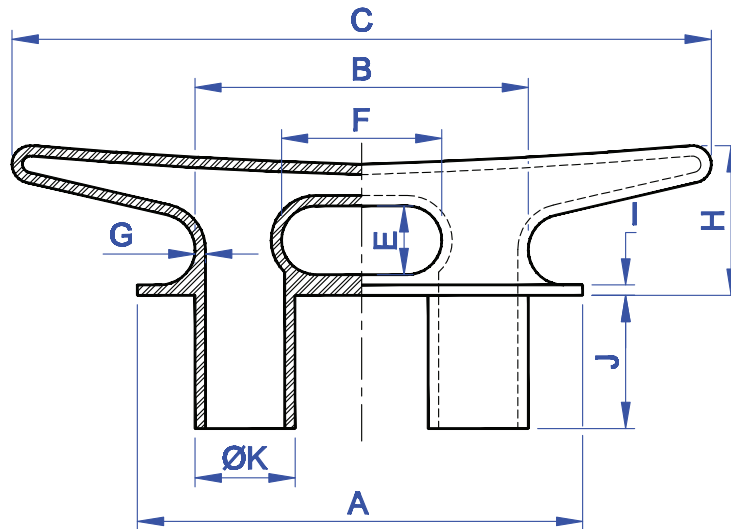
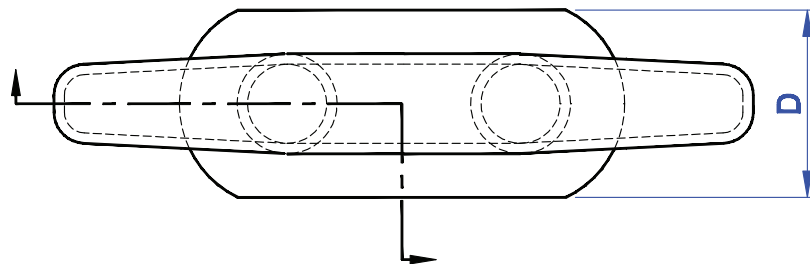
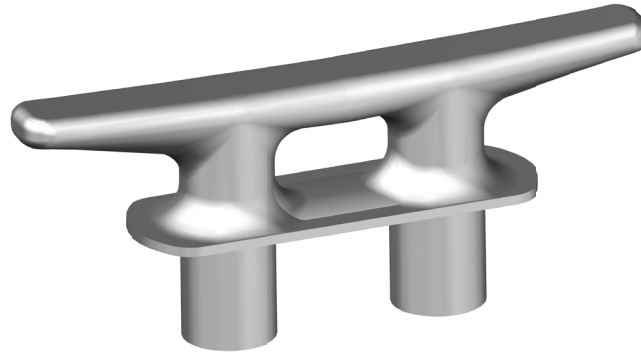
**Nabrico Products**  
[www.nabrico-marine.com](http://www.nabrico-marine.com)

1250 Gateway Drive  
 Gallatin, Tennessee 37066  
 615-442-1300





# NABRICO



| MODEL No. | PART No. | SIZE    | A      | B      | C       | D      | E      | F      | G     | H      | I     | J      | ØK     | WT. (Kg) |
|-----------|----------|---------|--------|--------|---------|--------|--------|--------|-------|--------|-------|--------|--------|----------|
| DF-535    | 21849    | 1067 mm | 679 mm | 508 mm | 1067 mm | 318 mm | 105 mm | 244 mm | 16 mm | 229 mm | 16 mm | 203 mm | 152 mm | 91       |

## CAST STEEL THRU DECK KEVEL CHOCK

**Nabrico Products**  
[www.nabrico-marine.com](http://www.nabrico-marine.com)

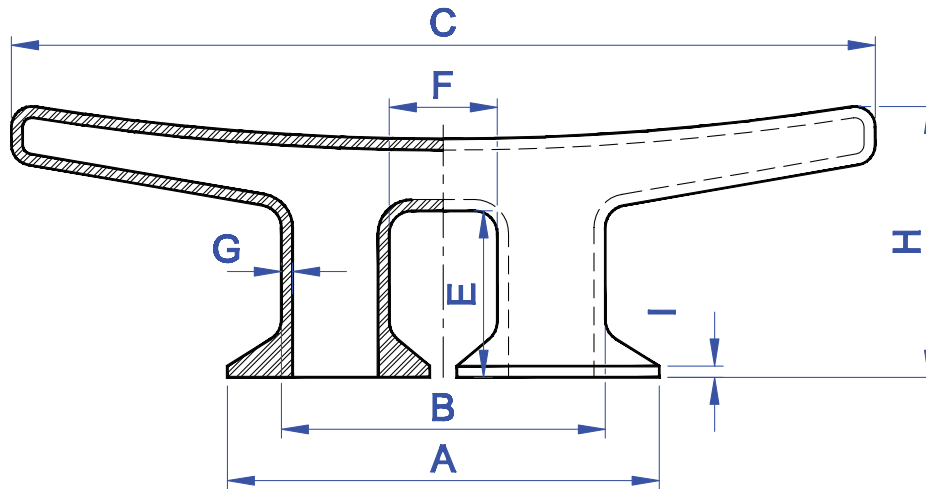
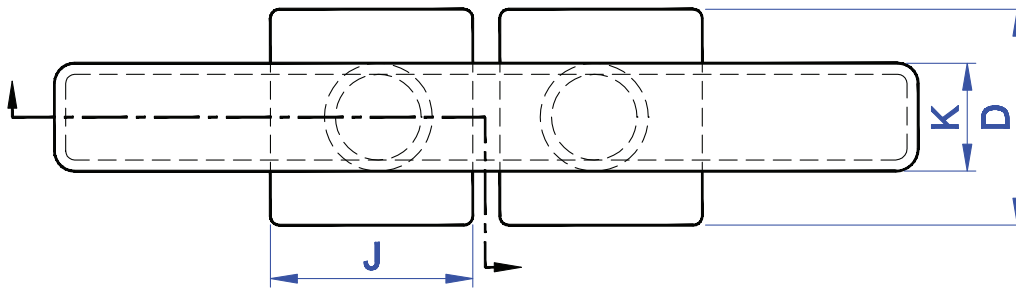
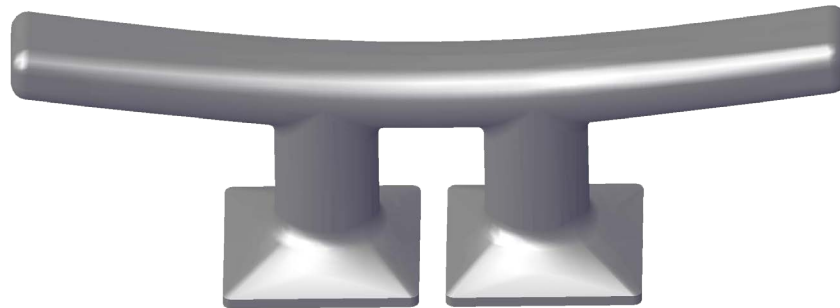
99

1250 Gateway Drive  
 Gallatin, Tennessee 37066  
 615-442-1300

The specifications and details described by drawings or text in this literature are subject to change without notice.



# NABRICO



| MODEL No. | PART No. | SIZE    | A      | B      | C       | D      | E      | F      | G     | H      | I     | J      | K      | WT. (Kg) |
|-----------|----------|---------|--------|--------|---------|--------|--------|--------|-------|--------|-------|--------|--------|----------|
| DF-544    | 90026    | 1219 mm | 610 mm | 457 mm | 1219 mm | 305 mm | 235 mm | 152 mm | 16 mm | 387 mm | 16 mm | 286 mm | 152 mm | 91       |

## CAST STEEL RAISED KEEL

**Nabrico Products**  
[www.nabrico-marine.com](http://www.nabrico-marine.com)

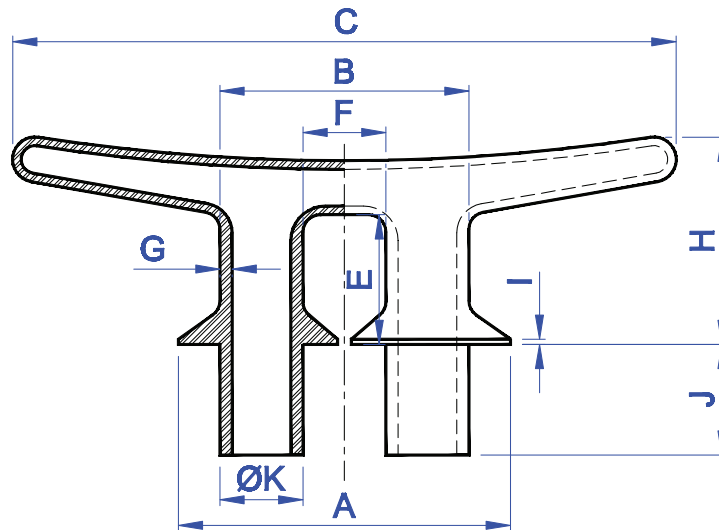
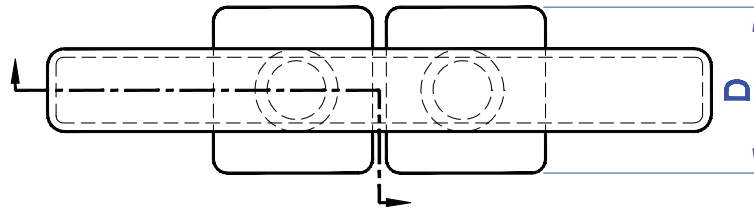
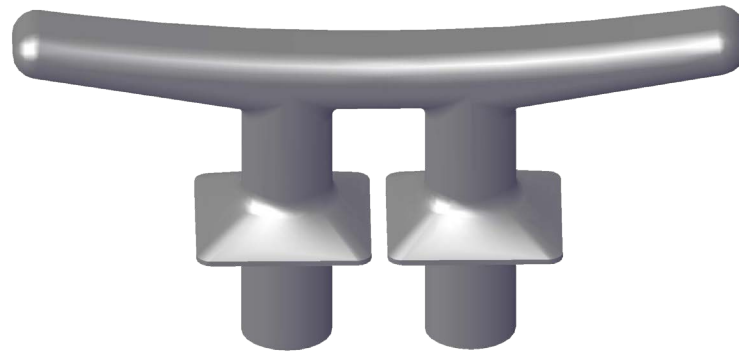
**100**

1250 Gateway Drive  
 Gallatin, Tennessee 37066  
 615-442-1300

The specifications and details described by drawings or text in this literature are subject to change without notice.



# NABRICO



| MODEL No.    | PART No. | SIZE    | A      | B      | C       | D      | E      | F      | G     | H      | I     | J      | ØK     | WT. (Kg) |
|--------------|----------|---------|--------|--------|---------|--------|--------|--------|-------|--------|-------|--------|--------|----------|
| DFSK- 48TDKC | 90027    | 1219 mm | 610 mm | 457 mm | 1219 mm | 305 mm | 229 mm | 152 mm | 22 mm | 381 mm | 10 mm | 203 mm | 152 mm | 137      |

## CAST STEEL THRU DECK RAISED KEVEL

**Nabrico Products**  
[www.nabrico-marine.com](http://www.nabrico-marine.com)

**101**

1250 Gateway Drive  
 Gallatin, Tennessee 37066  
 615-442-1300

The specifications and details described by drawings or text in this literature are subject to change without notice.



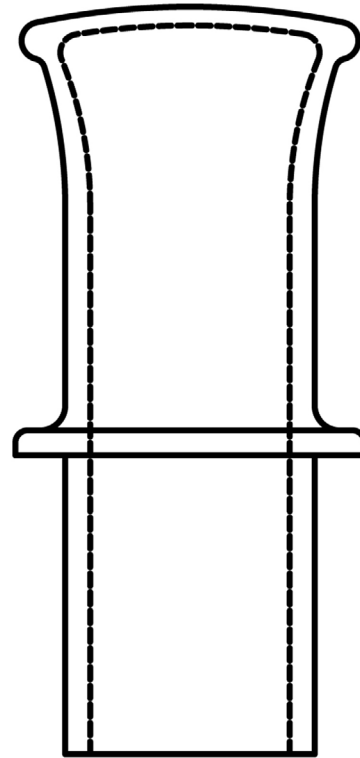


# BITTS

NABRICO offers a wide range of cast steel bitts needed for proper and efficient marine duties. All castings are produced using A27 cast steel and are normally supplied raw from the foundry. While castings are usually preferred in this state, NABRICO has the capability to blast and paint with a zinc primer or provide most castings in Stainless Steel. Bitts are available in a variety of styles and sizes that include: single bitt, single thru deck, single thru deck with horn, fabricated single, fabricated cruciform, and double bitts with or without horns. Whatever the job, NABRICO has a bitt that meets your needs.

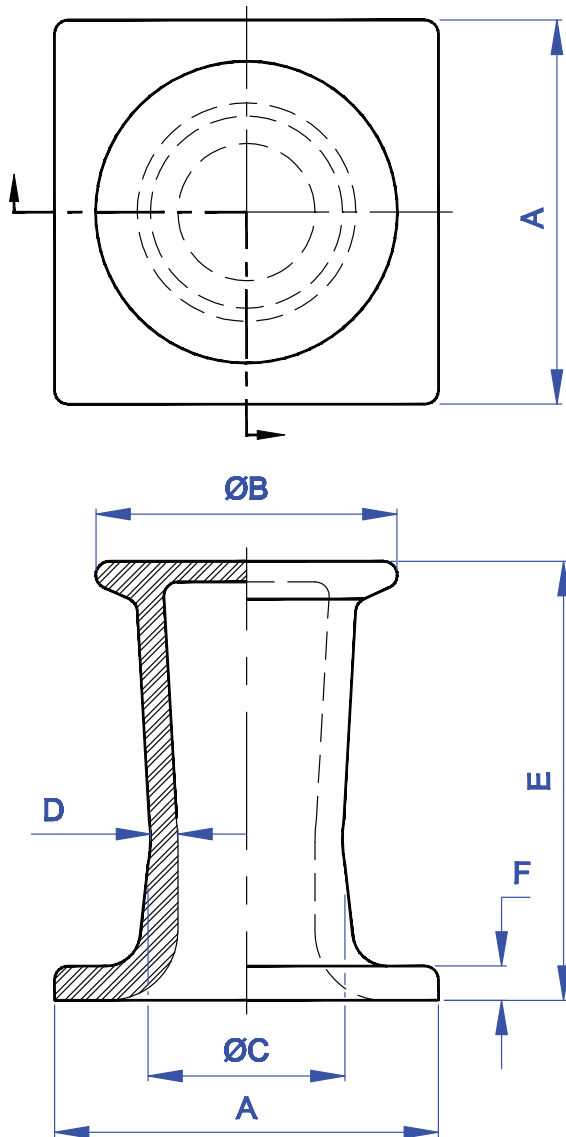
## BITTS

|                          |         |
|--------------------------|---------|
| SINGLE                   | 104-105 |
| SINGLE THRU DECK         | 106     |
| SINGLE THRU DECK W/ HORN | 107     |
| FABRICATED SINGLE        | 108     |
| FABRICATED CRUCIFORM     | 109     |
| DOUBLE                   | 110-112 |





# NABRICO



| MODEL No. | PART No. | SIZE   | A      | ØB     | ØC     | D     | E      | F     | WT. (Kg) |
|-----------|----------|--------|--------|--------|--------|-------|--------|-------|----------|
| DF-SB8    | 87971    | 203 mm | 356 mm | 279 mm | 178 mm | 25 mm | 406 mm | 32 mm | 73       |

## CAST STEEL SINGLE BITT

**Nabrico Products**  
[www.nabrico-marine.com](http://www.nabrico-marine.com)

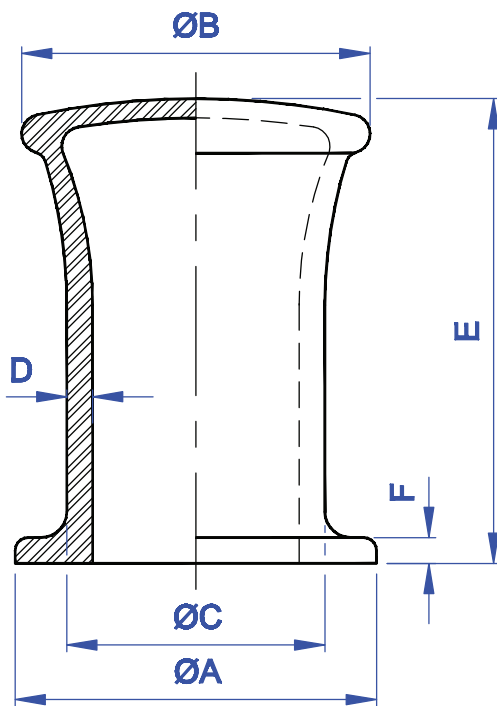
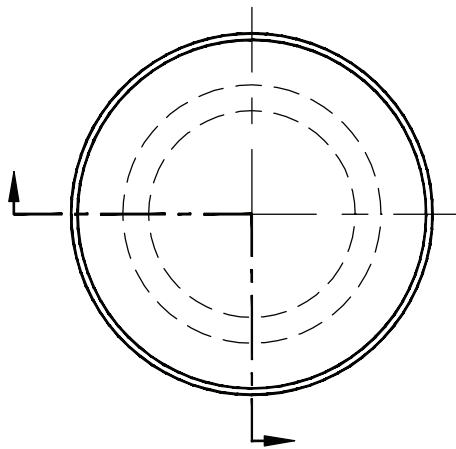
**104**

1250 Gateway Drive  
 Gallatin, Tennessee 37066  
 615-442-1300

The specifications and details described by drawings or text in this literature are subject to change without notice.



# NABRICO



| MODEL No. | PART No. | SIZE   | ØA     | ØB     | ØC     | D     | E      | F     | WT. (Kg) |
|-----------|----------|--------|--------|--------|--------|-------|--------|-------|----------|
| DF-SB10   | 20230    | 254 mm | 356 mm | 343 mm | 254 mm | 25 mm | 457 mm | 25 mm | 87       |

## CAST STEEL SINGLE BITT

**Nabrico Products**  
[www.nabrico-marine.com](http://www.nabrico-marine.com)

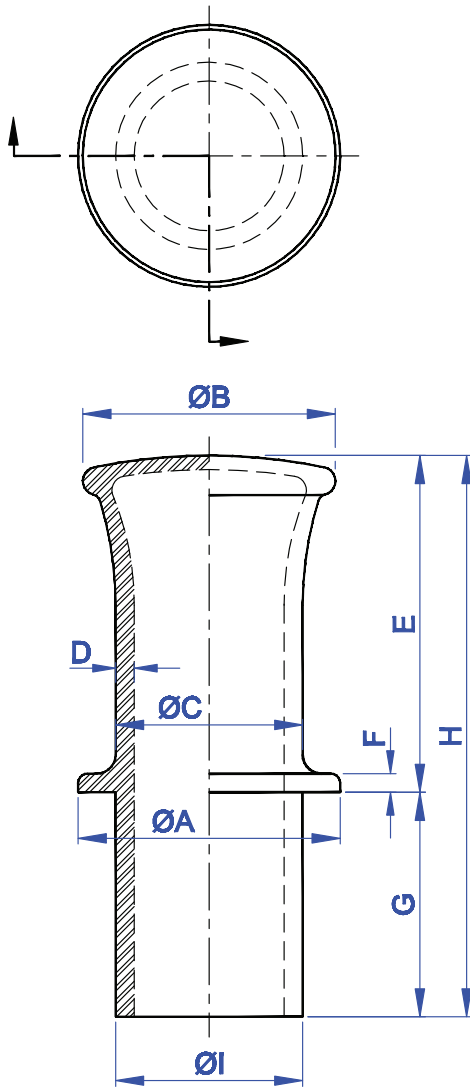
**105**

1250 Gateway Drive  
 Gallatin, Tennessee 37066  
 615-442-1300

The specifications and details described by drawings or text in this literature are subject to change without notice.



# NABRICO



| MODEL No. | PART No. | SIZE   | ØA     | ØB     | ØC     | D     | E      | F     | G      | H      | ØI     | WT. (Kg) |
|-----------|----------|--------|--------|--------|--------|-------|--------|-------|--------|--------|--------|----------|
| DF-530    | 21555    | 203 mm | 356 mm | 305 mm | 203 mm | 25 mm | 406 mm | 25 mm | 279 mm | 686 mm | 260 mm | 118      |
| DF-530    | 20231    | 254 mm | 356 mm | 343 mm | 254 mm | 25 mm | 457 mm | 25 mm | 305 mm | 762 mm | 254 mm | 136      |

## CAST STEEL THRU DECK SINGLE BITT

**Nabrico Products**  
[www.nabrico-marine.com](http://www.nabrico-marine.com)

**106**

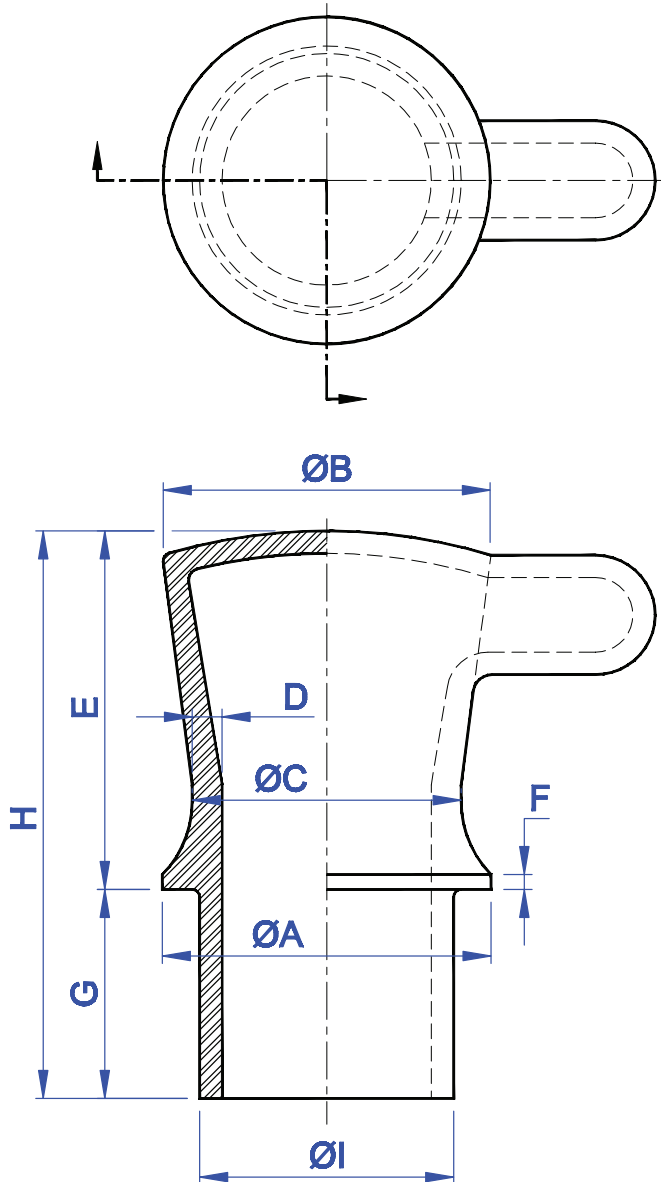
1250 Gateway Drive  
 Gallatin, Tennessee 37066  
 615-442-1300

The specifications and details described by drawings or text in this literature are subject to change without notice.





# NABRICO



| MODEL No. | PART No. | SIZE   | ØA     | ØB     | ØC     | D     | E      | F     | G      | H      | ØI     | WT. (Kg) |
|-----------|----------|--------|--------|--------|--------|-------|--------|-------|--------|--------|--------|----------|
| DF-532    | 21660    | 229 mm | 279 mm | 279 mm | 229 mm | 19 mm | 305 mm | 13 mm | 178 mm | 483 mm | 216 mm | 71       |

## CAST STEEL THRU DECK SINGLE BITT

**Nabrico Products**  
[www.nabrico-marine.com](http://www.nabrico-marine.com)

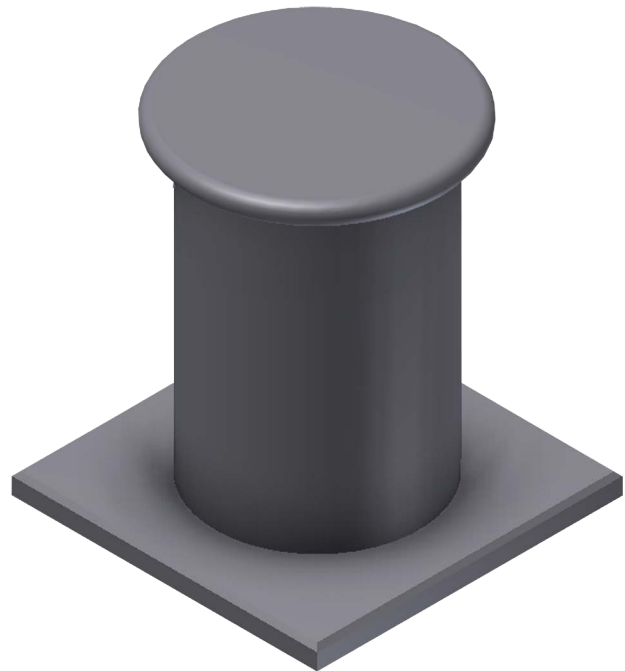
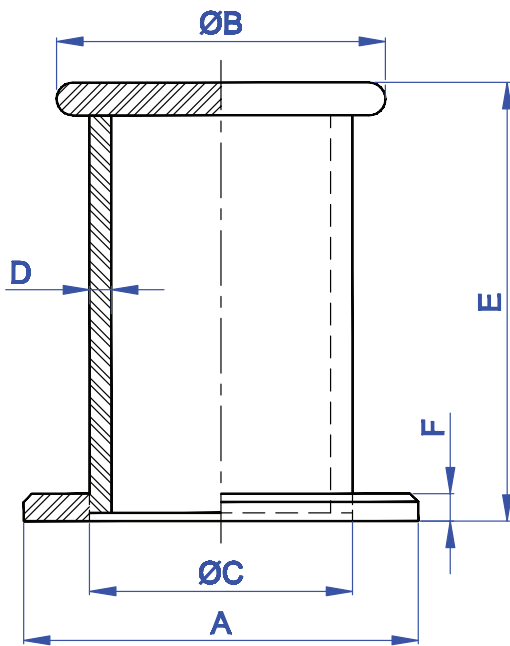
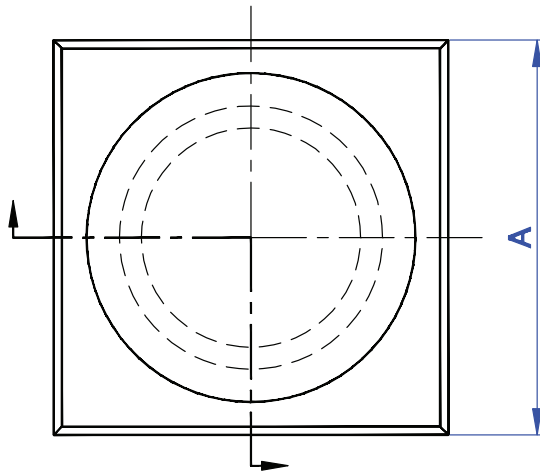
**107**

1250 Gateway Drive  
 Gallatin, Tennessee 37066  
 615-442-1300

The specifications and details described by drawings or text in this literature are subject to change without notice.



# NABRICO



| MODEL No. | PART No. | SIZE   | A      | ØB     | ØC     | D     | E      | F     | WT. (Kg) |
|-----------|----------|--------|--------|--------|--------|-------|--------|-------|----------|
| DF-55     | 13820    | 305 mm | 457 mm | 381 mm | 305 mm | 25 mm | 508 mm | 32 mm | 150      |

## FABRICATED STEEL SINGLE BITT

**Nabrico Products**  
[www.nabrico-marine.com](http://www.nabrico-marine.com)

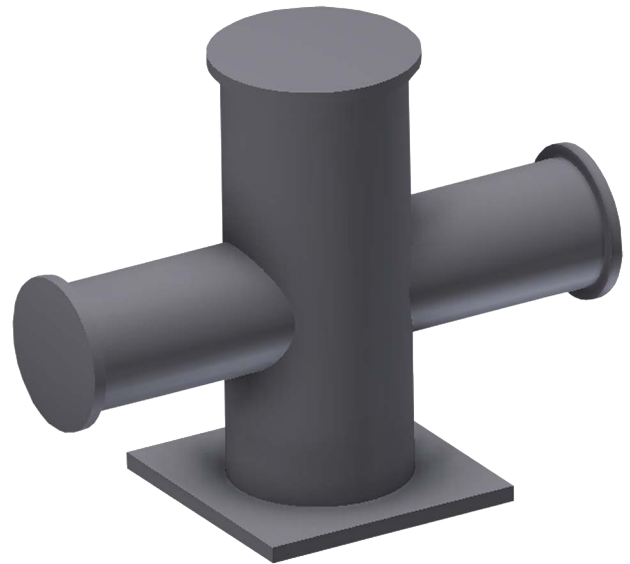
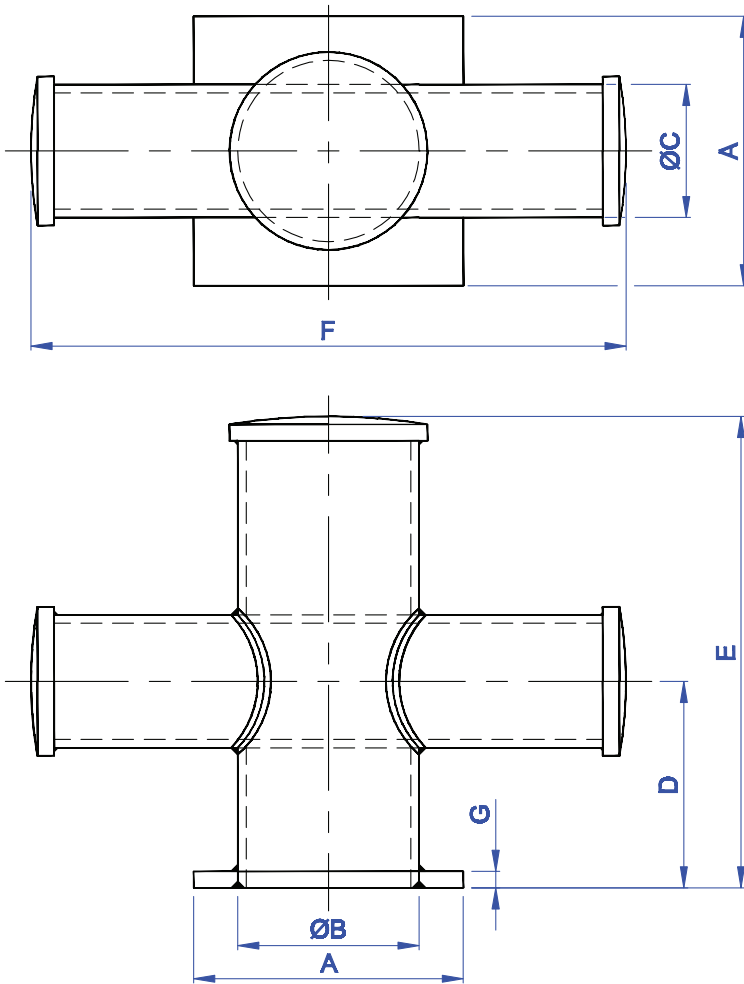
**108**

1250 Gateway Drive  
 Gallatin, Tennessee 37066  
 615-442-1300

The specifications and details described by drawings or text in this literature are subject to change without notice.



# NABRICO



| MODEL No. | PART No. | SIZE   | A      | ØB     | ØC     | D      | E      | F      | G     | WT. (Kg) |
|-----------|----------|--------|--------|--------|--------|--------|--------|--------|-------|----------|
| DF-65     | 21552    | 254 mm | 406 mm | 273 mm | 200 mm | 311 mm | 711 mm | 895 mm | 25 mm | 211      |

## FABRICATED STEEL CRUCIFORM BITT

**Nabrico Products**  
[www.nabrico-marine.com](http://www.nabrico-marine.com)

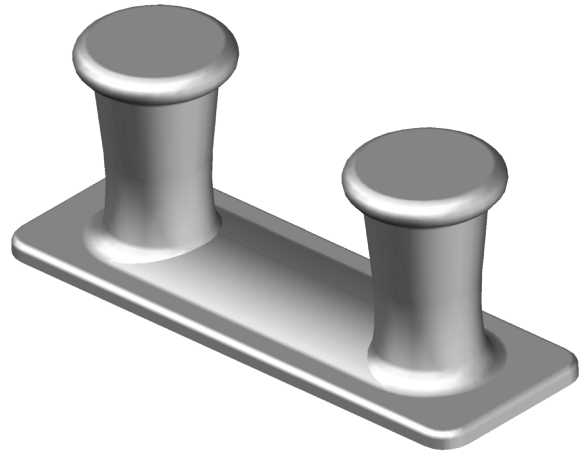
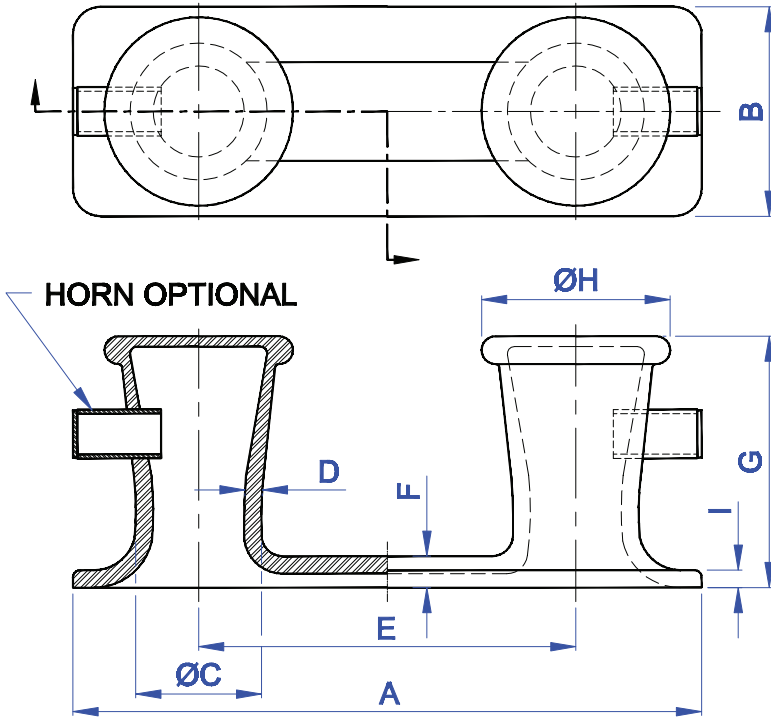
**109**

1250 Gateway Drive  
 Gallatin, Tennessee 37066  
 615-442-1300

The specifications and details described by drawings or text in this literature are subject to change without notice.



# NABRICO



| MODEL No. | PART No. | SIZE               | A       | B      | ØC     | D     | E      | F     | G      | ØH     | I     | WT. (Kg) |
|-----------|----------|--------------------|---------|--------|--------|-------|--------|-------|--------|--------|-------|----------|
| DF- 2     | 7005     | 203 mm             | 1016 mm | 356 mm | 178 mm | 25 mm | 610 mm | 51 mm | 406 mm | 279 mm | 32 mm | 170      |
| DF- 2A    | 20281    | 203 mm W/<br>Horns | 1016 mm | 356 mm | 178 mm | 25 mm | 610 mm | 51 mm | 406 mm | 279 mm | 32 mm | 175      |
| DF- 40    | 6858     | 254 mm             | 1143 mm | 381 mm | 229 mm | 32 mm | 686 mm | 57 mm | 457 mm | 343 mm | 32 mm | 247      |
| DF- 40A   | 77054    | 254 mm W/<br>Horns | 1143 mm | 381 mm | 229 mm | 32 mm | 686 mm | 57 mm | 457 mm | 343 mm | 32 mm | 254      |

1- HORNS NOT SHOWN ON DOUBLE BITT MODEL.

## CAST STEEL DOUBLE BITT

**Nabrico Products**  
[www.nabrico-marine.com](http://www.nabrico-marine.com)

**110**

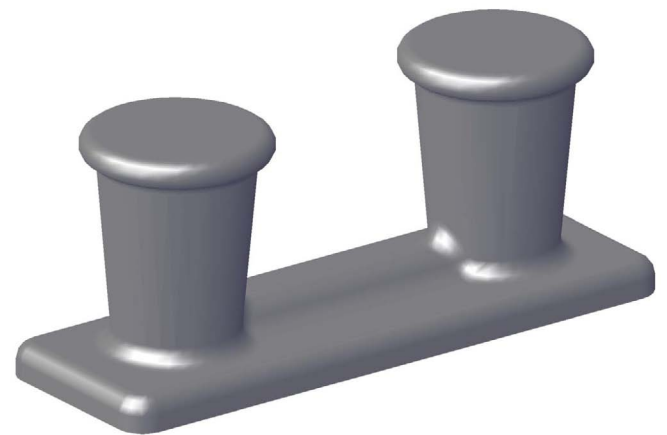
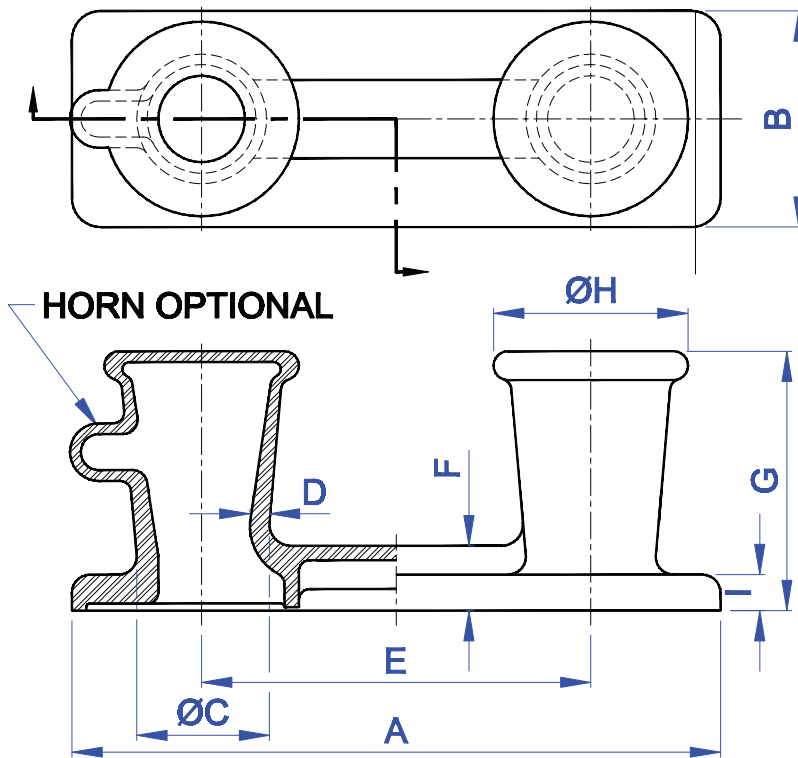
1250 Gateway Drive  
 Gallatin, Tennessee 37066  
 615-442-1300

The specifications and details described by drawings or text in this literature are subject to change without notice.





# NABRICO



| MODEL No. | PART No. | SIZE               | A       | B      | ØC     | D     | E      | F      | G      | ØH     | I     | WT. (Kg) |
|-----------|----------|--------------------|---------|--------|--------|-------|--------|--------|--------|--------|-------|----------|
| DF-537    | 89648    | 254 mm             | 1143 mm | 381 mm | 229 mm | 38 mm | 686 mm | 114 mm | 457 mm | 343 mm | 64 mm | 284      |
| DF-537A   | 90034    | 254 mm W/<br>HORN  | 1143 mm | 381 mm | 229 mm | 38 mm | 686 mm | 114 mm | 457 mm | 343 mm | 64 mm | 288      |
| DF-537AA  | 90036    | 254 mm W/<br>HORNS | 1143 mm | 381 mm | 229 mm | 38 mm | 686 mm | 114 mm | 457 mm | 343 mm | 64 mm | 293      |

1- HORNS NOT SHOWN ON DOUBLE BITT MODEL.

## CAST STEEL HEAVY DOUBLE BITT

**Nabrico Products**  
[www.nabrico-marine.com](http://www.nabrico-marine.com)

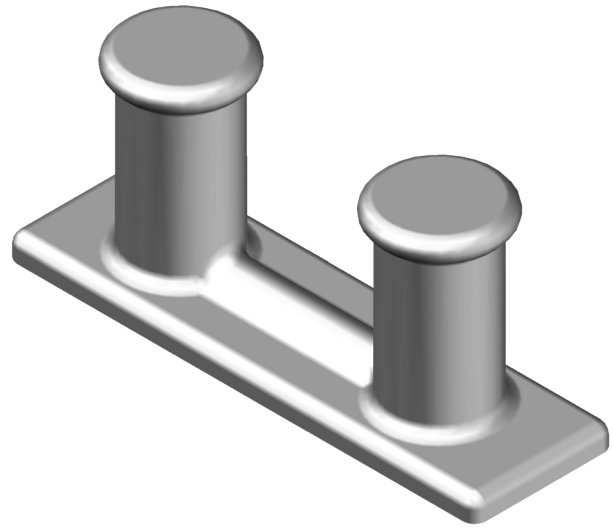
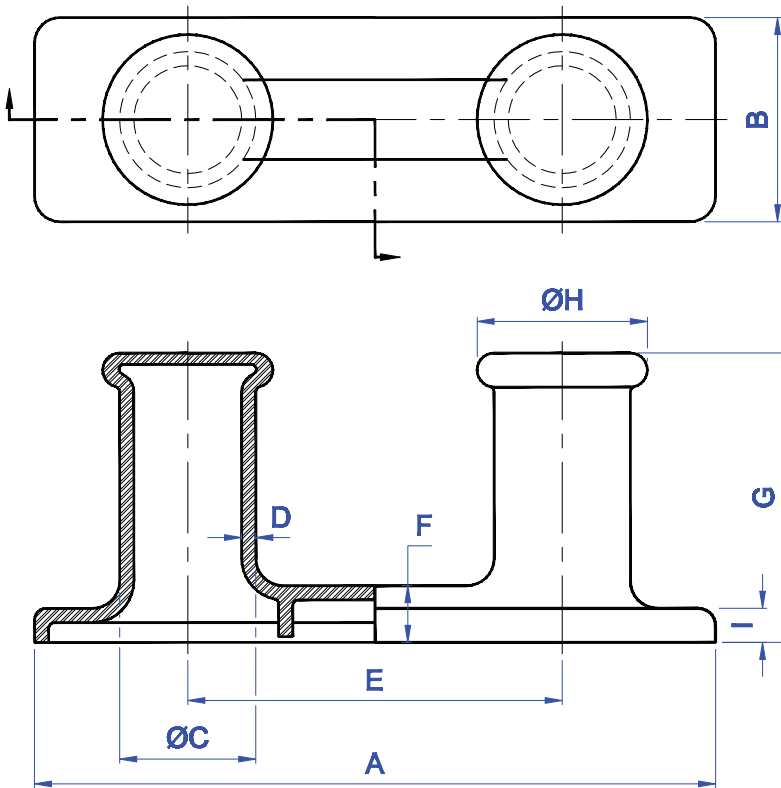
**111**

1250 Gateway Drive  
 Gallatin, Tennessee 37066  
 615-442-1300

The specifications and details described by drawings or text in this literature are subject to change without notice.



# NABRICO



| MODEL No. | PART No. | SIZE   | A       | B      | ØC     | D     | E       | F      | G      | ØH     | I      | WT. (Kg) |
|-----------|----------|--------|---------|--------|--------|-------|---------|--------|--------|--------|--------|----------|
| DF-491    | 89362    | 305 mm | 1524 mm | 457 mm | 305 mm | 32 mm | 838 mm  | 127 mm | 648 mm | 381 mm | 76 mm  | 449      |
| DF-498    | 21164    | 356 mm | 1676 mm | 533 mm | 356 mm | 38 mm | 1016 mm | 140 mm | 756 mm | 445 mm | 89 mm  | 807      |
| DF-499    | 21168    | 406 mm | 1930 mm | 610 mm | 406 mm | 44 mm | 1168 mm | 183 mm | 864 mm | 508 mm | 102 mm | 1134     |

## CAST STEEL HEAVY DOUBLE BITT

**Nabrico Products**  
[www.nabrico-marine.com](http://www.nabrico-marine.com)

**112**

1250 Gateway Drive  
 Gallatin, Tennessee 37066  
 615-442-1300

The specifications and details described by drawings or text in this literature are subject to change without notice.

# CHOCKS

NABRICO offers a wide range of cast steel chocks needed for proper and efficient marine duties. All castings are produced using A27 cast steel and are normally supplied raw from the foundry. While castings are normally preferred in this state, NABRICO has the capability to blast and paint with a zinc primer or provide most castings in Stainless Steel. Chocks are available in a variety of styles and sizes that include: button, open or closed, roller and panama canal chocks. Whatever the job, NABRICO has a chock that meets your needs.

## CHOCKS

|                   |         |
|-------------------|---------|
| CAST STEEL BUTTON | 114-120 |
| CAST STEEL OPEN   | 121     |
| CAST STEEL CLOSED | 122     |
| PANAMA CANAL      | 123-125 |
| MOORING RING      | 126     |
| FABRICATED BUTTON | 127     |
| COMBINATION BITT  | 128     |
| FABRICATED OPEN   | 129     |

## ROLLER CHOCKS

|                      |         |
|----------------------|---------|
| SINGLE ROLLER        | 130-132 |
| SINGLE ROLLER BUTTON | 133-135 |
| PIVOTING ROLLER      | 136     |



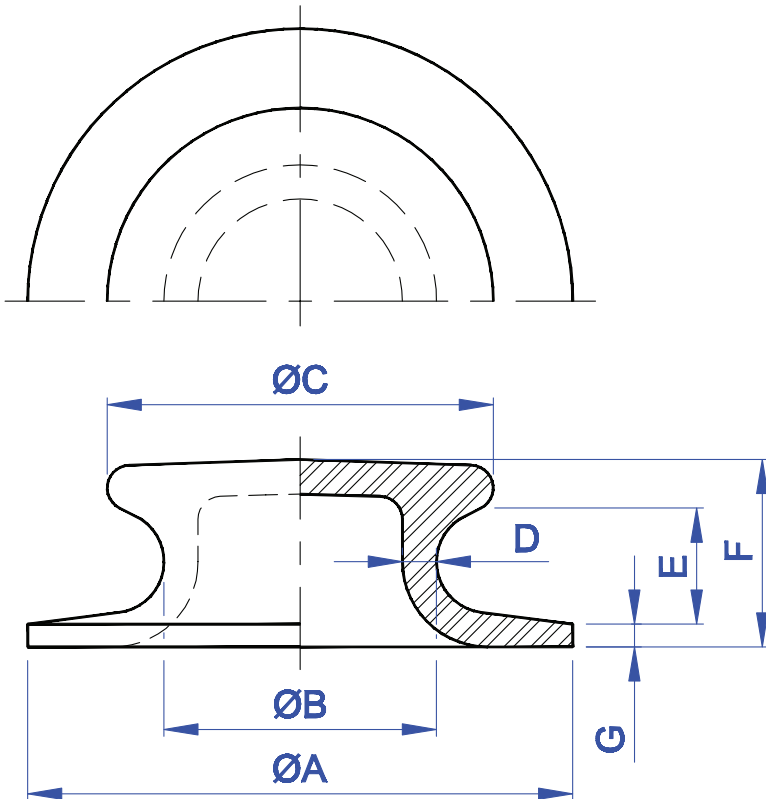
**Nabrico Products**  
[www.nabrico-marine.com](http://www.nabrico-marine.com)

**113**

**1250 Gateway Drive  
Gallatin, Tennessee 37066  
615-442-1300**



# NABRICO



| MODEL No. | PART No. | SIZE   | ØA     | ØB     | ØC     | D     | E     | F      | G     | WT. (Kg) |
|-----------|----------|--------|--------|--------|--------|-------|-------|--------|-------|----------|
| DF-192    | 6408     | 152 mm | 305 mm | 152 mm | 216 mm | 19 mm | 65 mm | 105 mm | 13 mm | 19       |

## CAST STEEL 6" BUTTON CHOCK

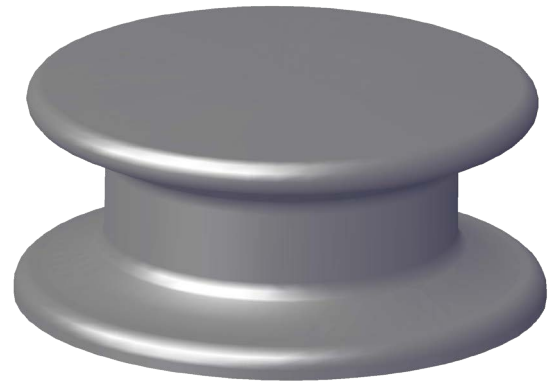
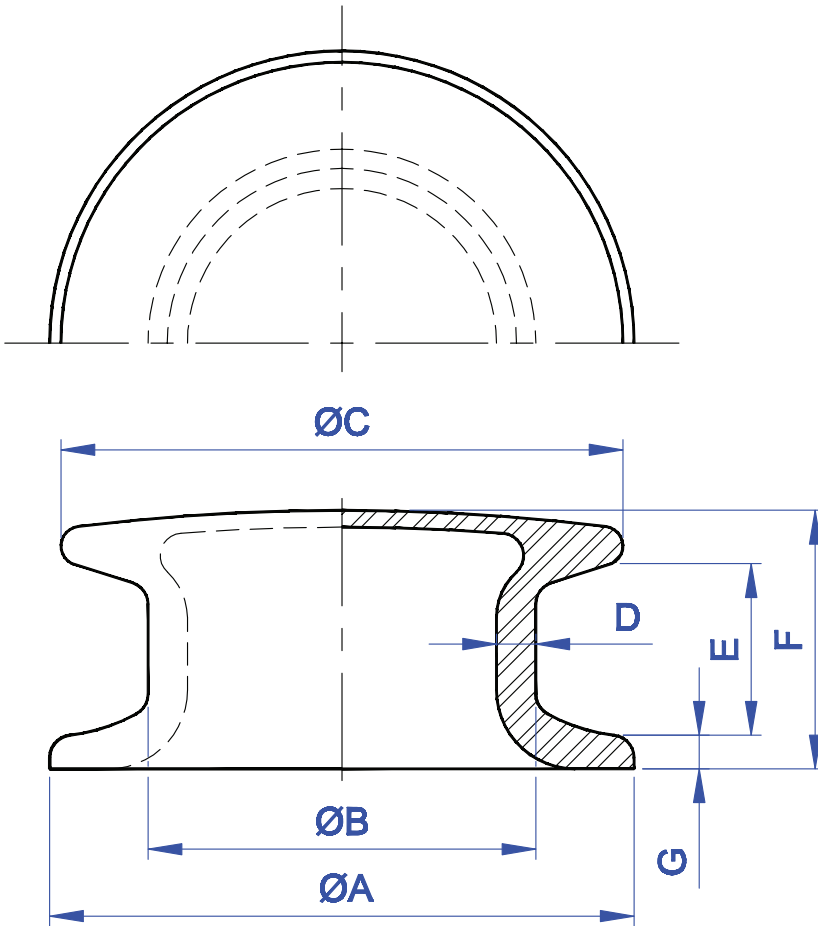
**Nabrico Products**  
[www.nabrico-marine.com](http://www.nabrico-marine.com)

1250 Gateway Drive  
 Gallatin, Tennessee 37066  
 615-442-1300





# NABRICO



| MODEL No. | PART No. | SIZE   | ØA     | ØB     | ØC     | D     | E     | F      | G     | WT. (Kg) |
|-----------|----------|--------|--------|--------|--------|-------|-------|--------|-------|----------|
| DF-473C   | 77461    | 203 mm | 330 mm | 219 mm | 318 mm | 16 mm | 95 mm | 146 mm | 19 mm | 35       |

## CAST STEEL 8" BUTTON CHOCK

**Nabrico Products**  
[www.nabrico-marine.com](http://www.nabrico-marine.com)

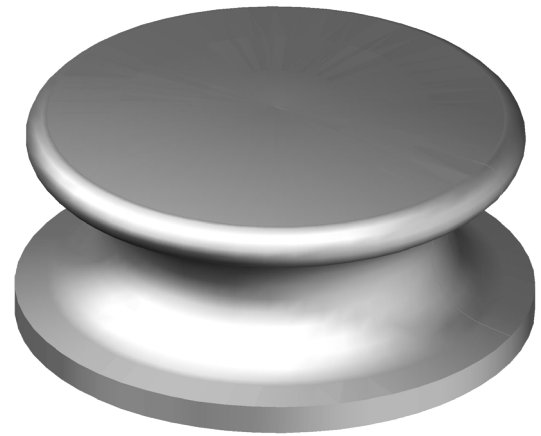
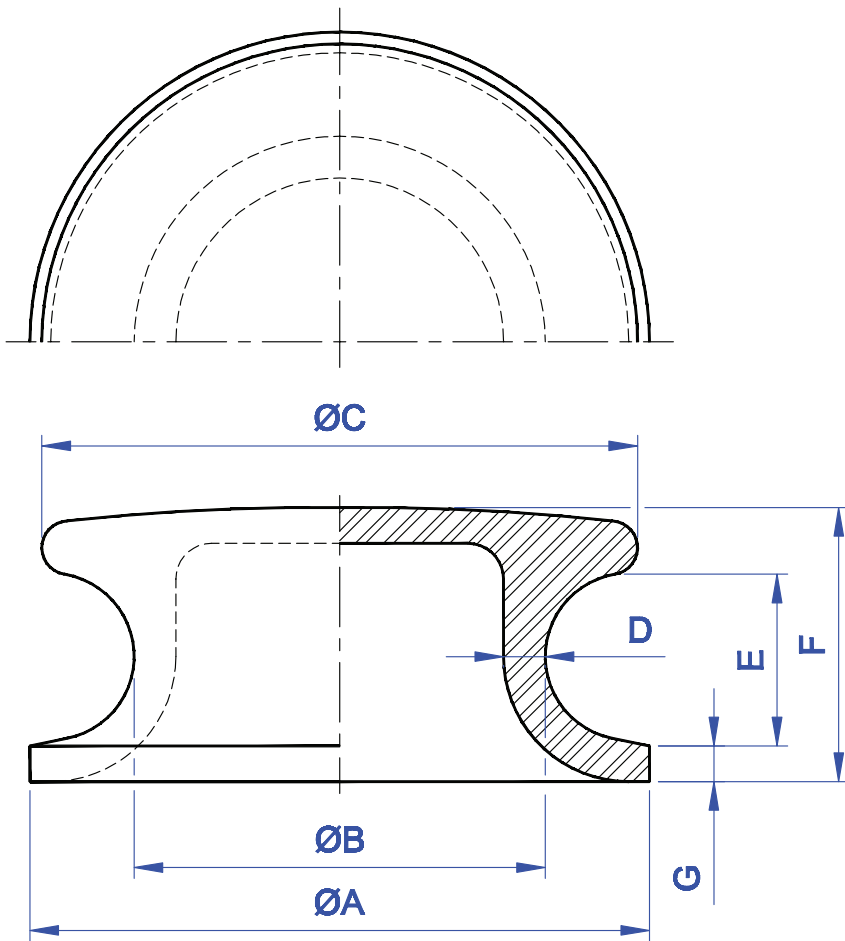
**115**

1250 Gateway Drive  
 Gallatin, Tennessee 37066  
 615-442-1300

The specifications and details described by drawings or text in this literature are subject to change without notice.



# NABRICO



| MODEL No. | PART No. | SIZE   | ØA     | ØB     | ØC     | D     | E     | F      | G     | WT. (Kg) |
|-----------|----------|--------|--------|--------|--------|-------|-------|--------|-------|----------|
| DF-542    | 89990    | 203 mm | 330 mm | 219 mm | 318 mm | 22 mm | 92 mm | 146 mm | 19 mm | 34       |

## CAST STEEL 8" BUTTON CHOCK

**Nabrico Products**  
[www.nabrico-marine.com](http://www.nabrico-marine.com)

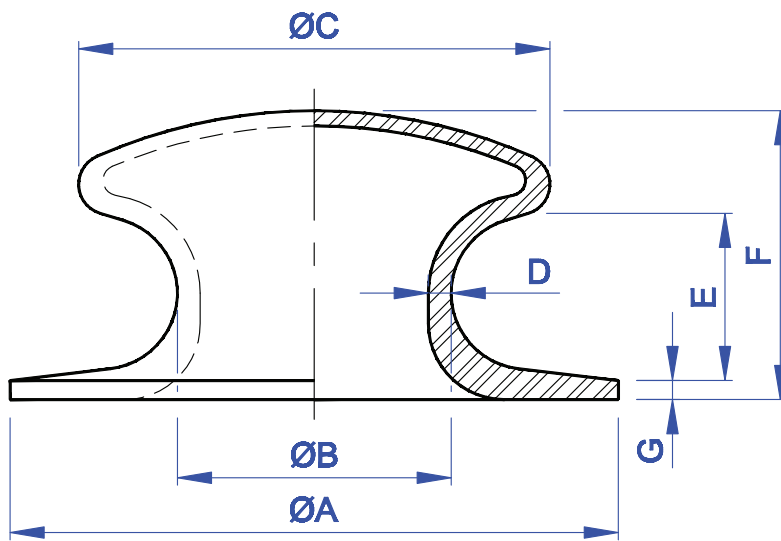
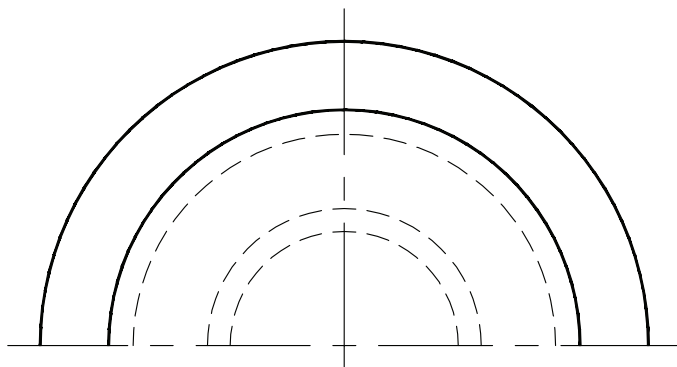
**116**

1250 Gateway Drive  
 Gallatin, Tennessee 37066  
 615-442-1300

The specifications and details described by drawings or text in this literature are subject to change without notice.



# NABRICO



| MODEL No. | PART No. | SIZE   | ØA     | ØB     | ØC     | D     | E      | F      | G     | WT. (Kg) |
|-----------|----------|--------|--------|--------|--------|-------|--------|--------|-------|----------|
| DF-194    | 16128    | 229 mm | 508 mm | 229 mm | 394 mm | 19 mm | 140 mm | 241 mm | 16 mm | 72       |

## CAST STEEL 9" BUTTON CHOCK

**Nabrico Products**  
[www.nabrico-marine.com](http://www.nabrico-marine.com)

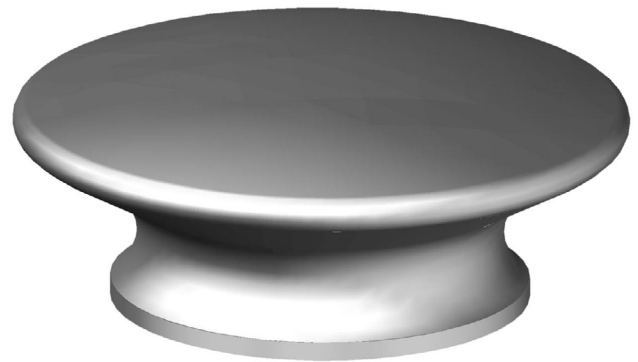
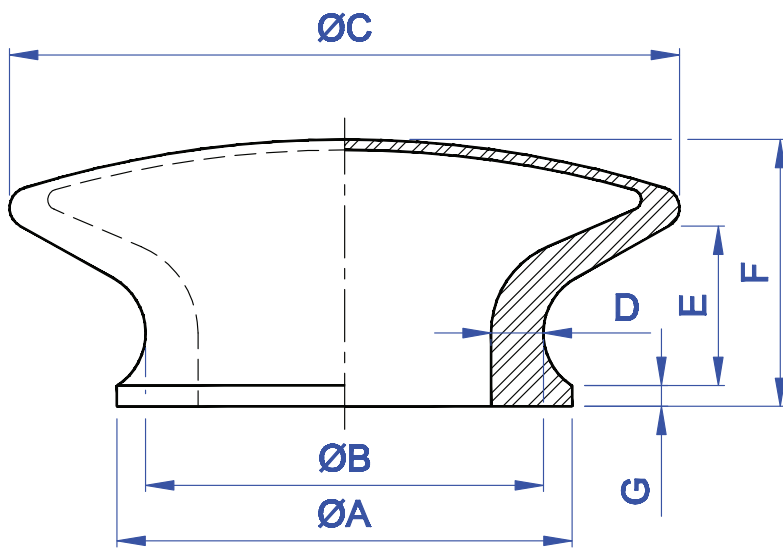
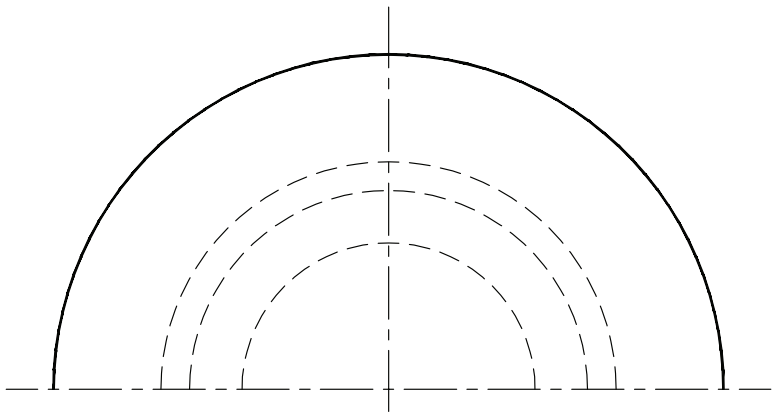
**117**

1250 Gateway Drive  
 Gallatin, Tennessee 37066  
 615-442-1300

The specifications and details described by drawings or text in this literature are subject to change without notice.



# NABRICO



| MODEL No. | PART No. | SIZE   | ØA     | ØB     | ØC     | D     | E     | F      | G     | WT. (Kg) |
|-----------|----------|--------|--------|--------|--------|-------|-------|--------|-------|----------|
| DF-176    | 13838    | 241 mm | 276 mm | 241 mm | 406 mm | 32 mm | 95 mm | 162 mm | 13 mm | 39       |

## CAST STEEL 9 1/2" BUTTON CHOCK

**Nabrico Products**  
[www.nabrico-marine.com](http://www.nabrico-marine.com)

**118**

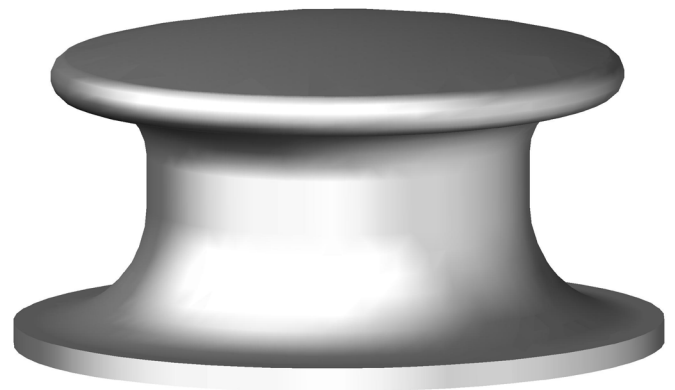
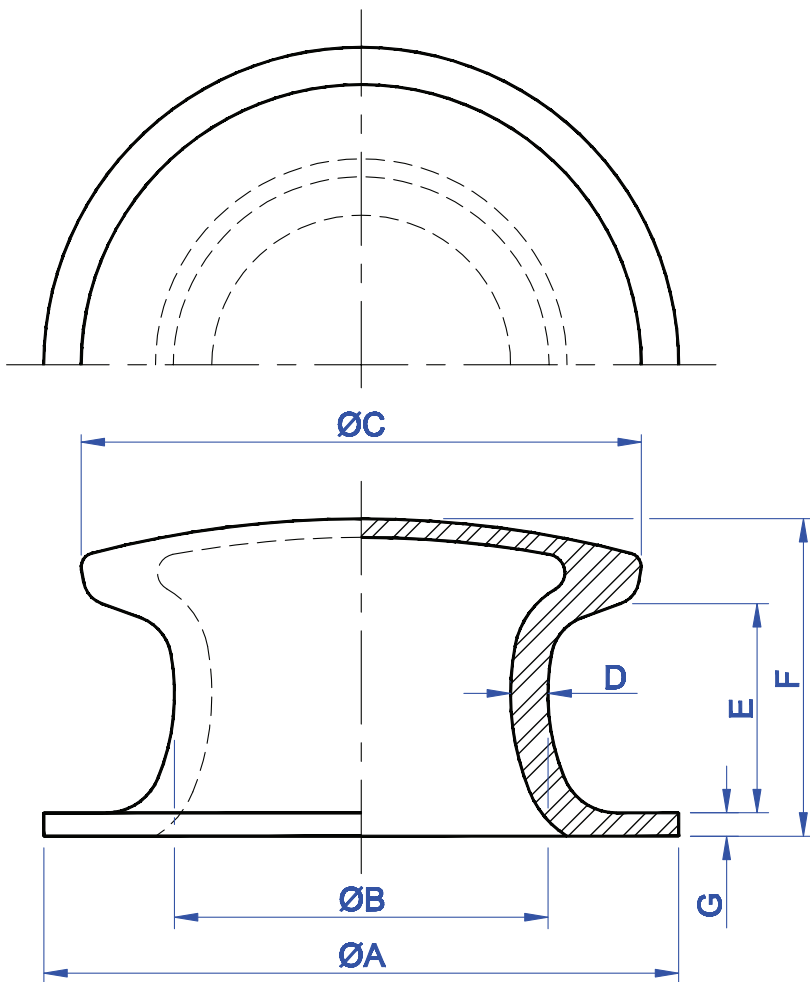
1250 Gateway Drive  
 Gallatin, Tennessee 37066  
 615-442-1300

The specifications and details described by drawings or text in this literature are subject to change without notice.





# NABRICO



| MODEL No. | PART No. | SIZE   | ØA     | ØB     | ØC     | D     | E      | F      | G     | WT. (Kg) |
|-----------|----------|--------|--------|--------|--------|-------|--------|--------|-------|----------|
| DF-185    | 14567    | 254 mm | 432 mm | 254 mm | 381 mm | 25 mm | 146 mm | 216 mm | 16 mm | 66       |

## CAST STEEL 10" BUTTON CHOCK

**Nabrico Products**  
[www.nabrico-marine.com](http://www.nabrico-marine.com)

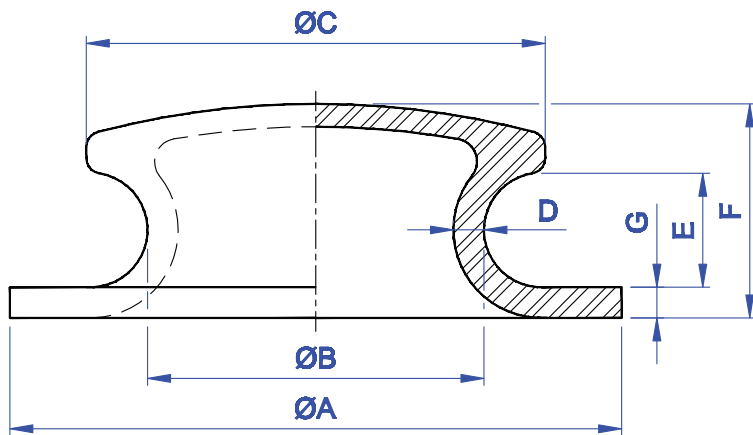
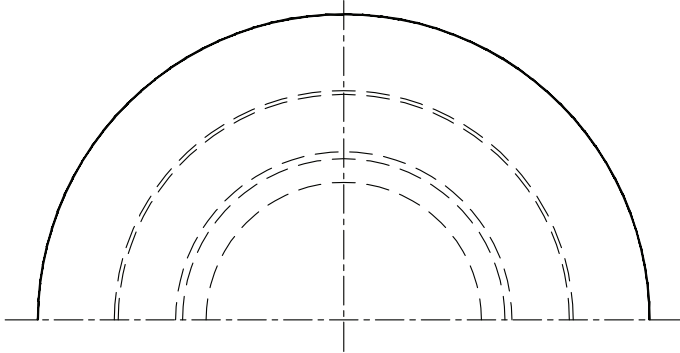
**119**

1250 Gateway Drive  
 Gallatin, Tennessee 37066  
 615-442-1300

The specifications and details described by drawings or text in this literature are subject to change without notice.



# NABRICO



| MODEL No. | PART No. | SIZE   | ØA     | ØB     | ØC     | D     | E     | F      | G     | WT. (Kg) |
|-----------|----------|--------|--------|--------|--------|-------|-------|--------|-------|----------|
| DF-538    | 89907    | 279 mm | 508 mm | 279 mm | 381 mm | 25 mm | 95 mm | 178 mm | 25 mm | 75       |

## CAST STEEL 11" BUTTON CHOCK

**Nabrico Products**  
[www.nabrico-marine.com](http://www.nabrico-marine.com)

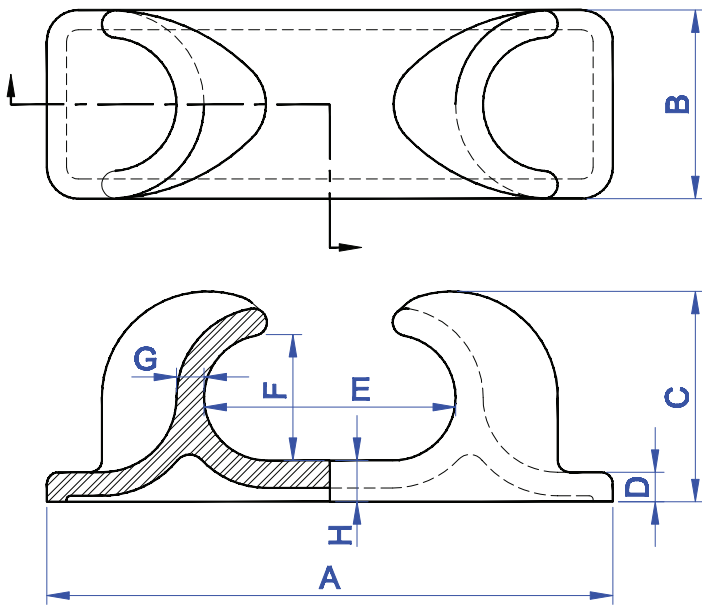
**120**

1250 Gateway Drive  
 Gallatin, Tennessee 37066  
 615-442-1300

The specifications and details described by drawings or text in this literature are subject to change without notice.



# NABRICO



| MODEL No. | PART No. | SIZE        | A         | B         | C         | D        | E         | F         | G        | H        | WT. (Kg) |
|-----------|----------|-------------|-----------|-----------|-----------|----------|-----------|-----------|----------|----------|----------|
| DF-496    | 89451    | 102x<br>203 | 502<br>mm | 152<br>mm | 171<br>mm | 29<br>mm | 203<br>mm | 102<br>mm | 25<br>mm | 35<br>mm | 34       |
| DF-495    | 89443    | 127x<br>279 | 641<br>mm | 203<br>mm | 229<br>mm | 33<br>mm | 273<br>mm | 137<br>mm | 32<br>mm | 46<br>mm | 60       |
| DF-485    | 20362    | 152x<br>305 | 705<br>mm | 229<br>mm | 257<br>mm | 38<br>mm | 305<br>mm | 152<br>mm | 35<br>mm | 52<br>mm | 80       |
| DF-489    | 89346    | 203x<br>406 | 914<br>mm | 305<br>mm | 340<br>mm | 48<br>mm | 406<br>mm | 203<br>mm | 44<br>mm | 67<br>mm | 198      |

## CAST STEEL OPEN CHOCK

**Nabrico Products**  
[www.nabrico-marine.com](http://www.nabrico-marine.com)

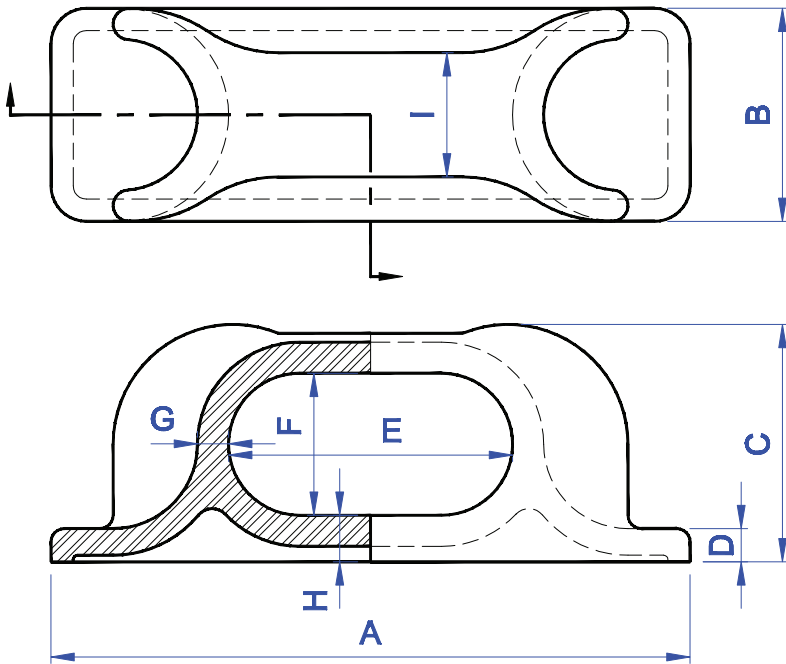
**121**

1250 Gateway Drive  
 Gallatin, Tennessee 37066  
 615-442-1300

The specifications and details described by drawings or text in this literature are subject to change without notice.



# NABRICO



| MODEL No. | PART No. | SIZE        | A         | B         | C         | D        | E         | F         | G        | H        | I         | WT. (Kg) |
|-----------|----------|-------------|-----------|-----------|-----------|----------|-----------|-----------|----------|----------|-----------|----------|
| DF-497    | 89478    | 102x<br>203 | 502<br>mm | 152<br>mm | 171<br>mm | 29<br>mm | 203<br>mm | 102<br>mm | 25<br>mm | 35<br>mm | 89<br>mm  | 38       |
| DF-480    | 89397    | 152x<br>305 | 705<br>mm | 229<br>mm | 258<br>mm | 38<br>mm | 305<br>mm | 152<br>mm | 35<br>mm | 52<br>mm | 133<br>mm | 87       |
| DF-490    | 89354    | 203x<br>406 | 914<br>mm | 305<br>mm | 340<br>mm | 48<br>mm | 406<br>mm | 203<br>mm | 44<br>mm | 67<br>mm | 178<br>mm | 206      |

## CAST STEEL CLOSED CHOCK

**Nabrico Products**  
[www.nabrico-marine.com](http://www.nabrico-marine.com)

**122**

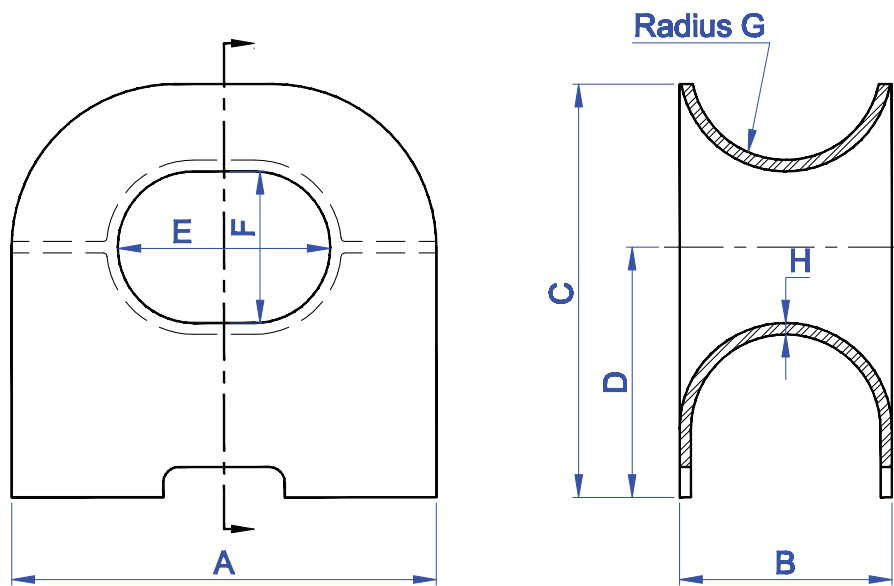
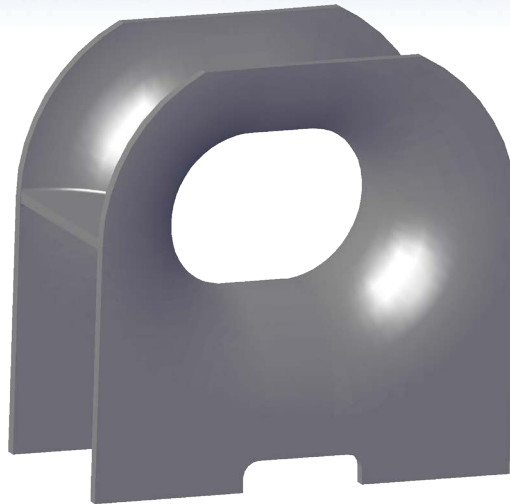
1250 Gateway Drive  
 Gallatin, Tennessee 37066  
 615-442-1300

The specifications and details described by drawings or text in this literature are subject to change without notice.





# NABRICO



| MODEL No. | PART No. | SIZE        | A         | B         | C         | D         | E         | F         | G         | H        | WT. (Kg) |
|-----------|----------|-------------|-----------|-----------|-----------|-----------|-----------|-----------|-----------|----------|----------|
| DF-531    | 21602    | 305x<br>254 | 660<br>mm | 356<br>mm | 559<br>mm | 305<br>mm | 305<br>mm | 254<br>mm | 168<br>mm | 19<br>mm | 138      |
| DF-531    | 21601    | 356x<br>254 | 711<br>mm | 356<br>mm | 692<br>mm | 413<br>mm | 356<br>mm | 254<br>mm | 159<br>mm | 19<br>mm | 166      |

## CAST STEEL PANAMA CANAL CHOCK

**Nabrico Products**  
[www.nabrico-marine.com](http://www.nabrico-marine.com)

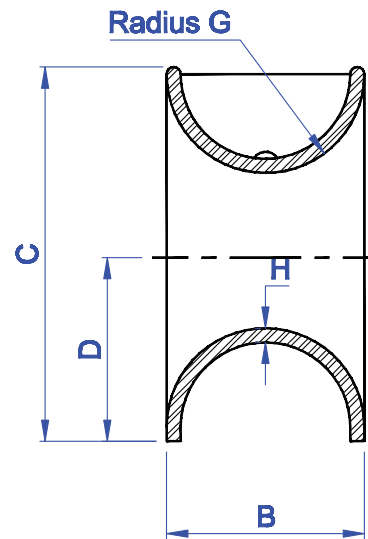
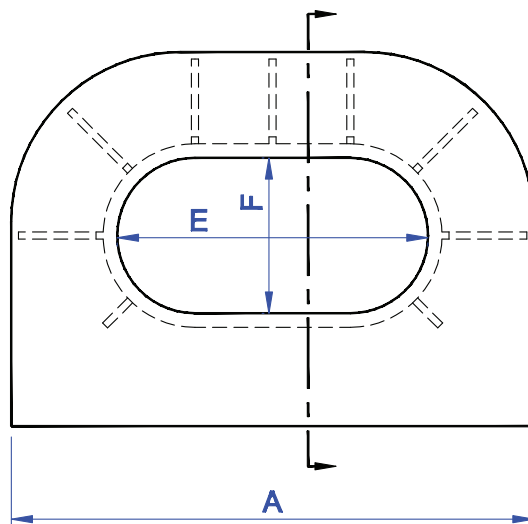
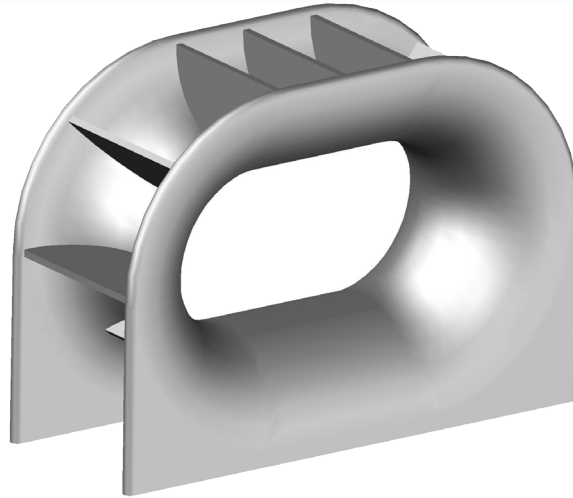
**123**

1250 Gateway Drive  
 Gallatin, Tennessee 37066  
 615-442-1300

The specifications and details described by drawings or text in this literature are subject to change without notice.



# NABRICO



| MODEL No. | PART No. | SIZE        | A          | B         | C         | D         | E         | F         | G         | H        | WT. (Kg) |
|-----------|----------|-------------|------------|-----------|-----------|-----------|-----------|-----------|-----------|----------|----------|
| DF-531    | 21554    | 559x<br>279 | 940<br>mm  | 356<br>mm | 673<br>mm | 343<br>mm | 559<br>mm | 279<br>mm | 178<br>mm | 25<br>mm | 359      |
| DF-531    | 21607    | 457x<br>305 | 838<br>mm  | 356<br>mm | 800<br>mm | 457<br>mm | 457<br>mm | 305<br>mm | 178<br>mm | 29<br>mm | 517      |
| DF-531    | 21609    | 610x<br>305 | 1041<br>mm | 406<br>mm | 876<br>mm | 508<br>mm | 610<br>mm | 305<br>mm | 203<br>mm | 39<br>mm | 544      |

## CAST STEEL PANAMA CANAL CHOCK

**Nabrico Products**  
[www.nabrico-marine.com](http://www.nabrico-marine.com)

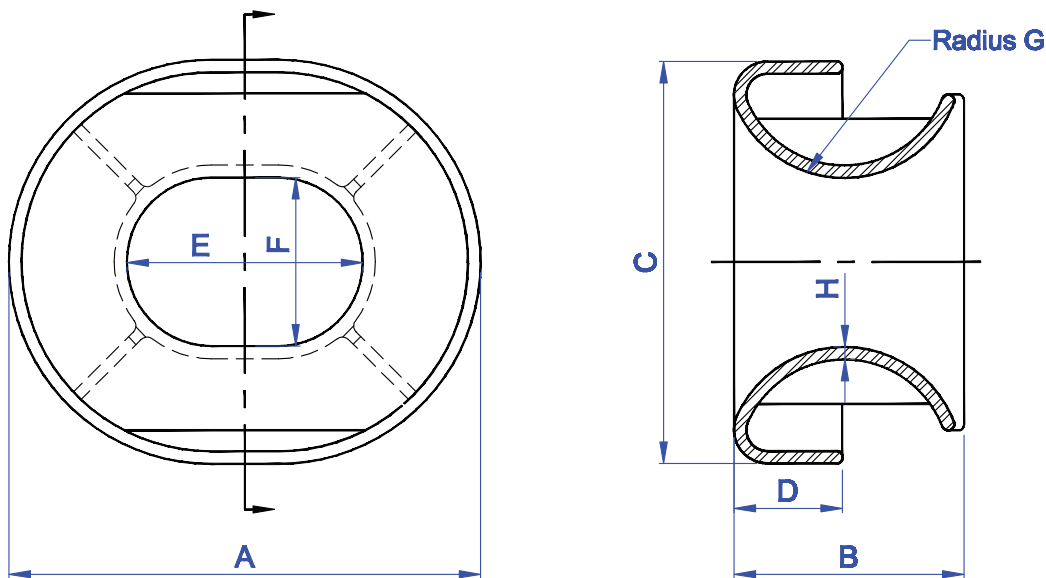
**124**

1250 Gateway Drive  
 Gallatin, Tennessee 37066  
 615-442-1300

The specifications and details described by drawings or text in this literature are subject to change without notice.



# NABRICO



| MODEL No. | PART No. | SIZE        | A         | B         | C         | D         | E         | F         | G         | H        | WT. (Kg) |
|-----------|----------|-------------|-----------|-----------|-----------|-----------|-----------|-----------|-----------|----------|----------|
| DF-531    | 21551    | 305x<br>254 | 648<br>mm | 343<br>mm | 597<br>mm | 165<br>mm | 305<br>mm | 254<br>mm | 178<br>mm | 19<br>mm | 116      |
| DF-531    | 21550    | 356x<br>254 | 699<br>mm | 343<br>mm | 597<br>mm | 165<br>mm | 356<br>mm | 254<br>mm | 178<br>mm | 19<br>mm | 186      |

## CAST STEEL PANAMA CANAL CHOCK (BULWARK)

**Nabrico Products**  
[www.nabrico-marine.com](http://www.nabrico-marine.com)

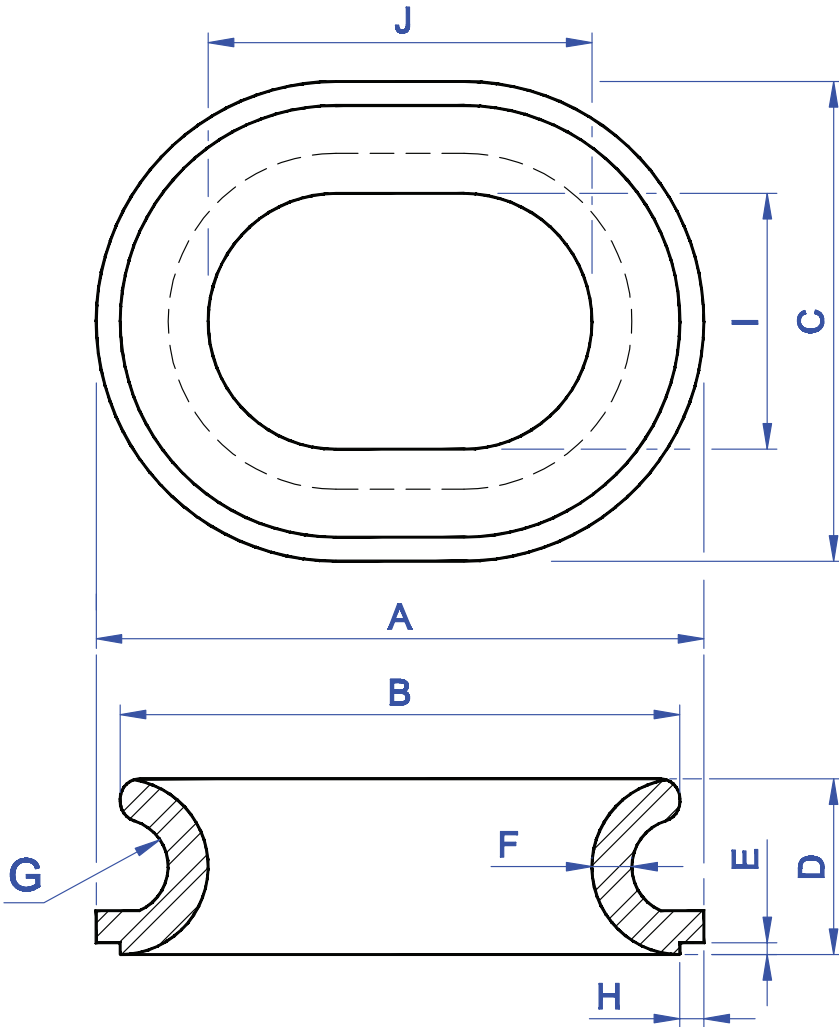
**125**

1250 Gateway Drive  
 Gallatin, Tennessee 37066  
 615-442-1300

The specifications and details described by drawings or text in this literature are subject to change without notice.



# NABRICO



| MODEL No. | PART No. | SIZE        | A         | B         | C         | D         | E        | F        | G        | H        | I         | J         | WT. (Kg) |
|-----------|----------|-------------|-----------|-----------|-----------|-----------|----------|----------|----------|----------|-----------|-----------|----------|
| DF-528    | 21512    | 203x<br>305 | 483<br>mm | 445<br>mm | 381<br>mm | 140<br>mm | 10<br>mm | 32<br>mm | 38<br>mm | 19<br>mm | 203<br>mm | 305<br>mm | 59       |

## CAST STEEL MOORING RING

**Nabrico Products**  
[www.nabrico-marine.com](http://www.nabrico-marine.com)

**126**

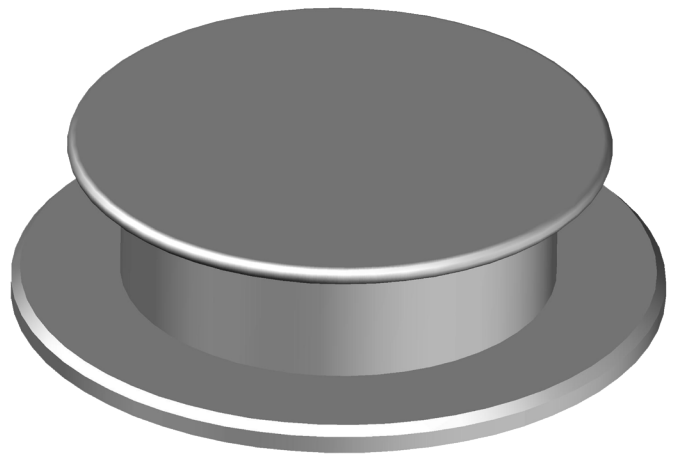
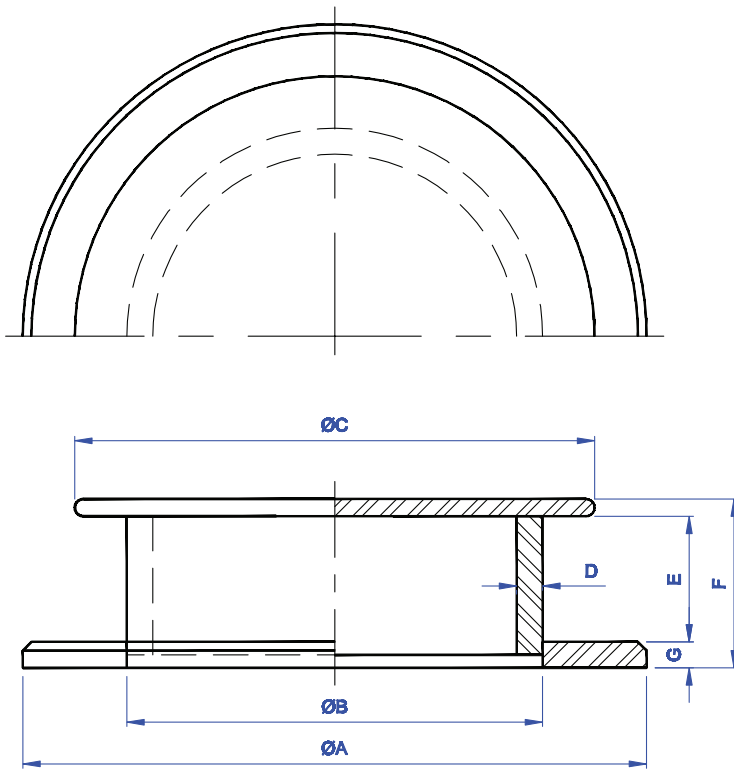
1250 Gateway Drive  
 Gallatin, Tennessee 37066  
 615-442-1300

The specifications and details described by drawings or text in this literature are subject to change without notice.





# NABRICO



| MODEL No. | PART No. | SIZE   | ØA     | ØB     | ØC     | D     | E     | F      | G     | WT. (Kg) |
|-----------|----------|--------|--------|--------|--------|-------|-------|--------|-------|----------|
| DF-148    | 6610     | 89 mm  | 203 mm | 89 mm  | 178 mm | N/A   | 44 mm | 83 mm  | 25 mm | 12       |
| DF-129    | 6688     | 216 mm | 371 mm | 219 mm | 295 mm | 22 mm | 44 mm | 76 mm  | 19 mm | 24       |
| DF-158    | 6505     | 216 mm | 371 mm | 219 mm | 295 mm | 22 mm | 76 mm | 108 mm | 19 mm | 29       |
| DF-129A   | 6661     | 279 mm | 432 mm | 279 mm | 356 mm | 25 mm | 44 mm | 76 mm  | 19 mm | 32       |
| DF-158A   | 6491     | 305 mm | 457 mm | 305 mm | 381 mm | 19 mm | 92 mm | 124 mm | 19 mm | 44       |

## FABRICATED STEEL BUTTON CHOCK

**Nabrico Products**  
[www.nabrico-marine.com](http://www.nabrico-marine.com)

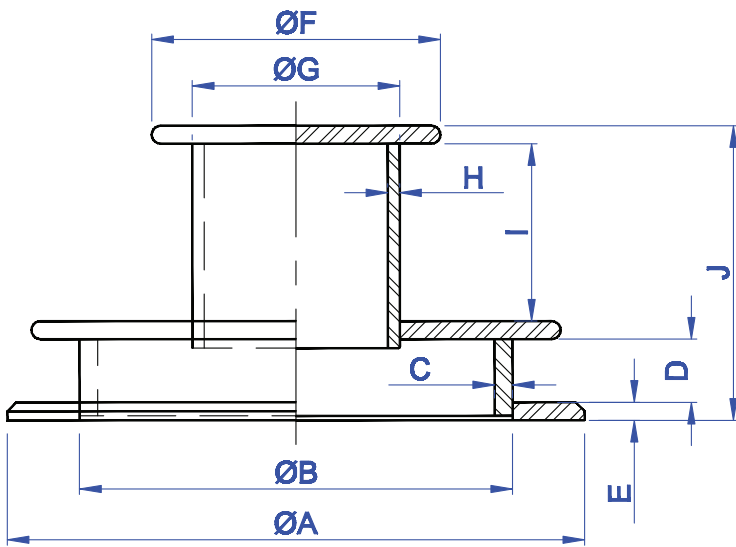
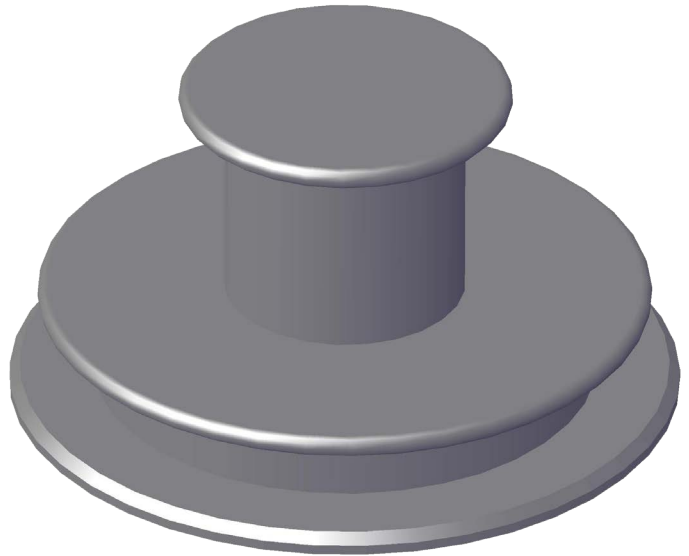
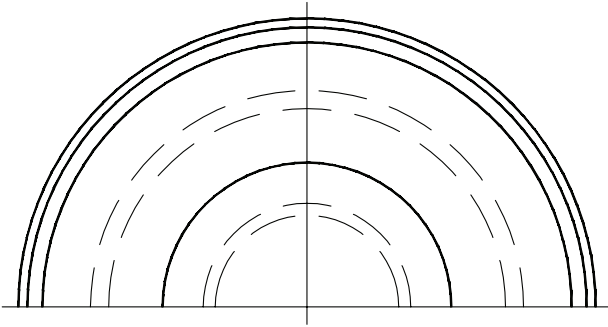
**127**

1250 Gateway Drive  
 Gallatin, Tennessee 37066  
 615-442-1300

The specifications and details described by drawings or text in this literature are subject to change without notice.



# NABRICO



| MODEL No. | PART No. | ØA     | ØB     | C     | D     | E     | ØF     | ØG     | H     | I      | J      | WT. (Kg) |
|-----------|----------|--------|--------|-------|-------|-------|--------|--------|-------|--------|--------|----------|
| DF-163    | 13803    | 610 mm | 457 mm | 19 mm | 67 mm | 19 mm | 305 mm | 219 mm | 13 mm | 187 mm | 311 mm | 96       |

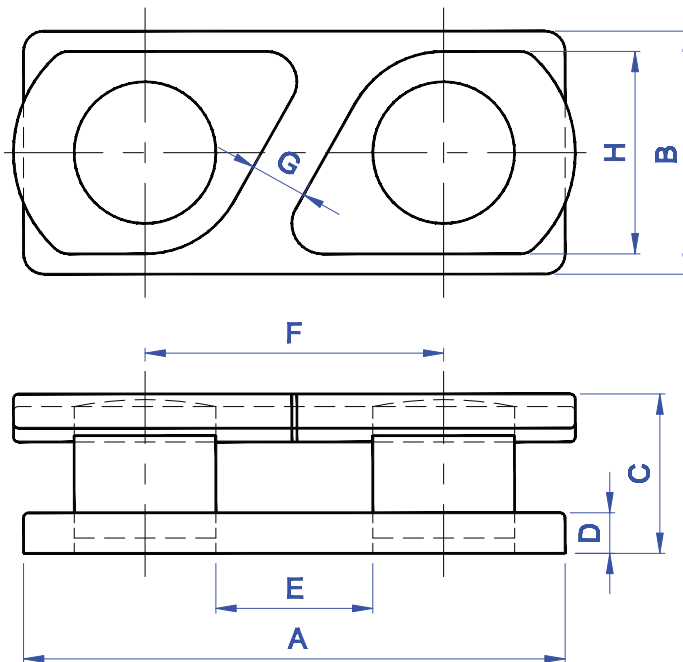
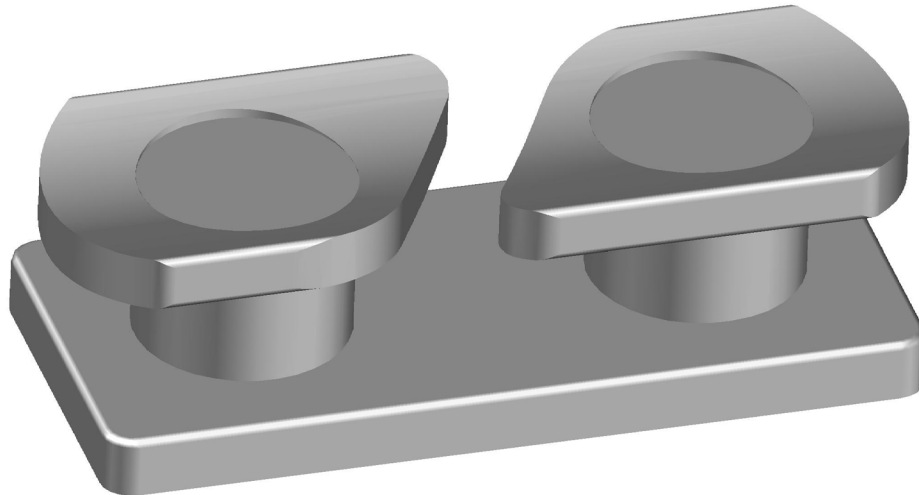
## FABRICATED STEEL COMBINATION BITT

**Nabrico Products**  
[www.nabrico-marine.com](http://www.nabrico-marine.com)

1250 Gateway Drive  
 Gallatin, Tennessee 37066  
 615-442-1300



# NABRICO



| MODEL No. | PART No. | A      | B      | C      | D     | E     | F      | G     | H      | WT. (Kg) |
|-----------|----------|--------|--------|--------|-------|-------|--------|-------|--------|----------|
| DF-149    | 6602     | 340 mm | 152 mm | 102 mm | 25 mm | 98 mm | 187 mm | 35 mm | 127 mm | 22       |

## FABRICATED STEEL OPEN CHOCK

**Nabrico Products**  
[www.nabrico-marine.com](http://www.nabrico-marine.com)

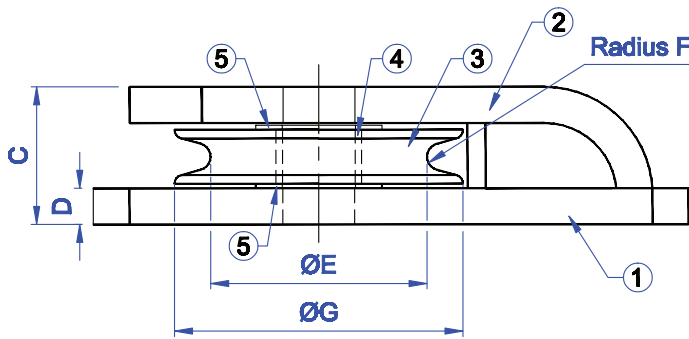
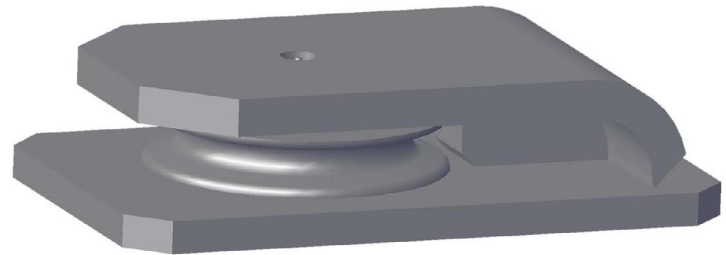
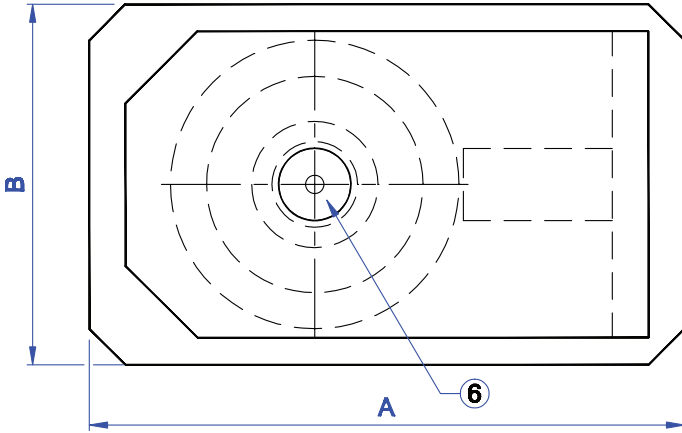
**129**

1250 Gateway Drive  
 Gallatin, Tennessee 37066  
 615-442-1300

The specifications and details described by drawings or text in this literature are subject to change without notice.



# NABRICO



| PIECE No. | DESCRIPTION        | PART No. | MATERIAL |
|-----------|--------------------|----------|----------|
| 1         | ROLLER BODY BOTTOM | 76988    | STEEL    |
| 2         | ROLLER BODY TOP    | 76996    | STEEL    |
| 3         | ROLLER SHEAVE      | 77003    | STEEL    |
| 4         | BUSHING            | 77410    | BRASS    |
| 5         | WASHER             | 77046    | BRASS    |
| 6         | ROLLER PIN         | 77038    | STEEL    |

| MODEL No. | PART No. | SIZE   | A      | B      | C     | D     | ØE     | F     | ØG     | WT. (Kg) |
|-----------|----------|--------|--------|--------|-------|-------|--------|-------|--------|----------|
| DF-361    | 13862    | 203 mm | 419 mm | 254 mm | 97 mm | 25 mm | 152 mm | 10 mm | 203 mm | 56       |

## SINGLE ROLLER CHOCK

**Nabrico Products**  
[www.nabrico-marine.com](http://www.nabrico-marine.com)

**130**

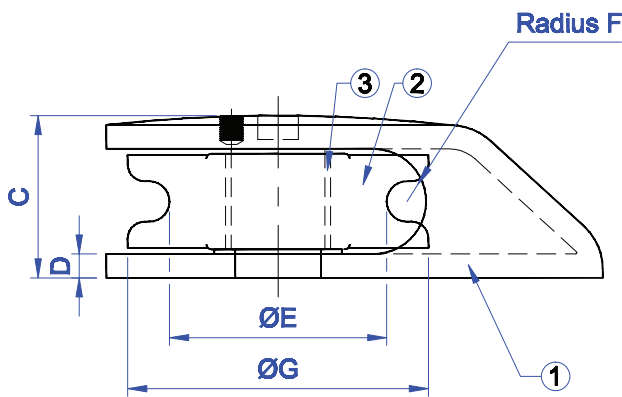
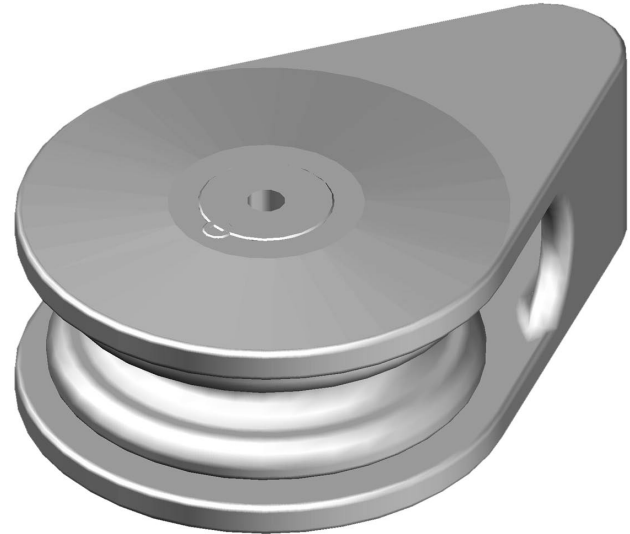
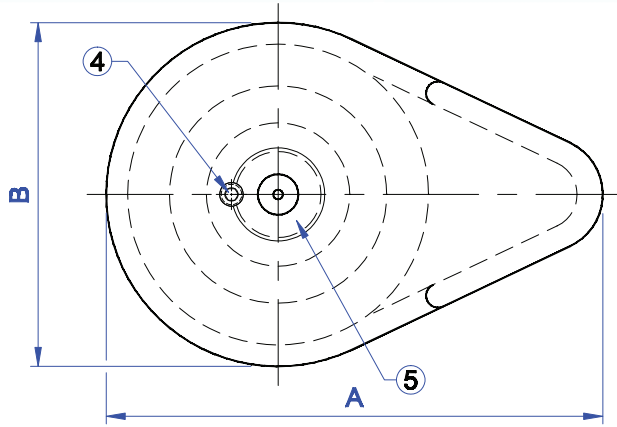
1250 Gateway Drive  
 Gallatin, Tennessee 37066  
 615-442-1300

The specifications and details described by drawings or text in this literature are subject to change without notice.





# NABRICO



| PIECE No. | DESCRIPTION      | PART No. | MATERIAL   |
|-----------|------------------|----------|------------|
| 1         | HOUSING ASSEMBLY | 89273    | CAST STEEL |
| 2         | ROLLER SHEAVE    | 89281    | CAST STEEL |
| 3         | BUSHING          | 89303    | BRASS      |
| 4         | SET SCREW        | 70599    | STEEL      |
| 5         | ROLLER PIN       | 89311    | STEEL      |

| MODEL No. | PART No. | SIZE   | A      | B      | C      | D     | ØE     | F     | ØG     | WT. (Kg) |
|-----------|----------|--------|--------|--------|--------|-------|--------|-------|--------|----------|
| DF-927    | 89265    | 203 mm | 330 mm | 229 mm | 108 mm | 16 mm | 144 mm | 13 mm | 200 mm | 25       |

## SINGLE ROLLER CHOCK

**Nabrico Products**  
[www.nabrico-marine.com](http://www.nabrico-marine.com)

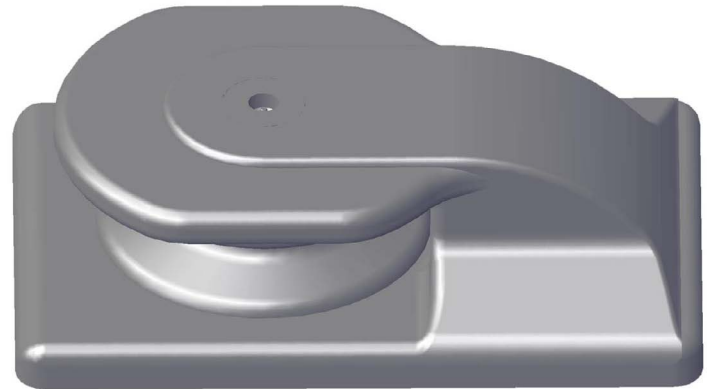
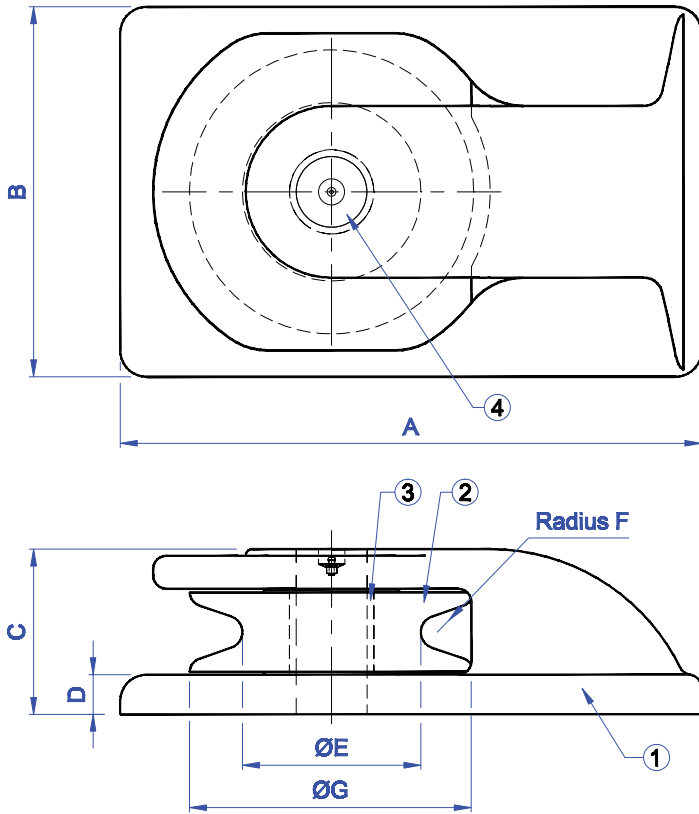
**131**

1250 Gateway Drive  
 Gallatin, Tennessee 37066  
 615-442-1300

The specifications and details described by drawings or text in this literature are subject to change without notice.



# NABRICO



| PIECE No. | DESCRIPTION   | PART No. | MATERIAL   |
|-----------|---------------|----------|------------|
| 1         | HOUSING       | 6467     | CAST STEEL |
| 2         | ROLLER SHEAVE | 6734     | CAST STEEL |
| 3         | BUSHING       | 6726     | BRONZE     |
| 4         | ROLLER PIN    | 76198    | STEEL      |

| MODEL No. | PART No. | SIZE   | A      | B      | C      | D     | ØE     | F     | ØG     | WT. (Kg) |
|-----------|----------|--------|--------|--------|--------|-------|--------|-------|--------|----------|
| DF-164    | 6475     | 279 mm | 559 mm | 356 mm | 159 mm | 38 mm | 171 mm | 16 mm | 273 mm | 134      |

## SINGLE ROLLER CHOCK

**Nabrico Products**  
[www.nabrico-marine.com](http://www.nabrico-marine.com)

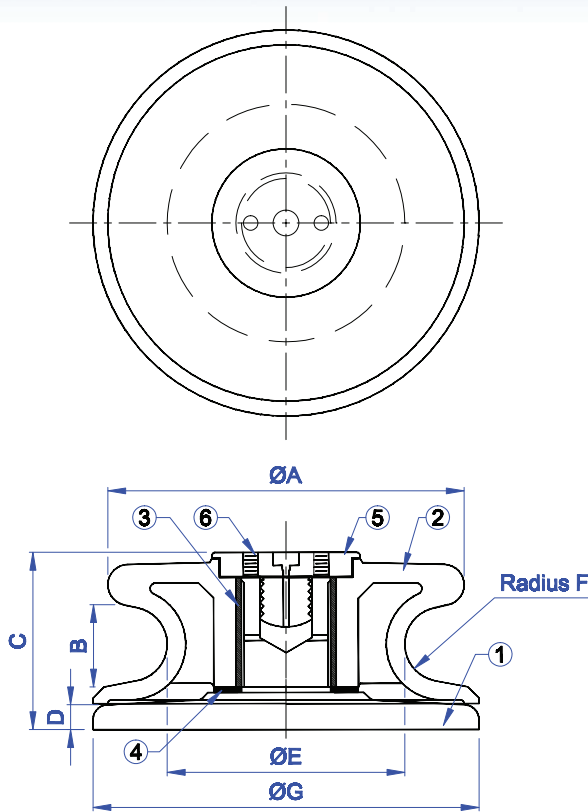
**132**

1250 Gateway Drive  
 Gallatin, Tennessee 37066  
 615-442-1300

The specifications and details described by drawings or text in this literature are subject to change without notice.



# NABRICO



| PIECE No. | DESCRIPTION   | PART NUMBER |        | MATERIAL   |
|-----------|---------------|-------------|--------|------------|
|           |               | DF-512      | DF-511 |            |
| 1         | ROLLER BASE   | 89257       |        | CAST STEEL |
| 2         | ROLLER SHEAVE | 89230       | 6947   | CAST STEEL |
| 3         | BUSHING       | 6920        |        | BRASS      |
| 4         | WASHER        | 6912        |        | BRASS      |
| 5         | ROLLER CAP    | 6939        |        | BRASS      |
| 6         | SET SCREW     | 74918       |        | STAINLESS  |

| MODEL No. | PART No. | SIZE   | ØA     | B     | C      | D     | ØE     | F     | ØG     | WT. (Kg) |
|-----------|----------|--------|--------|-------|--------|-------|--------|-------|--------|----------|
| DF-512    | 89222    | 305 mm | 305 mm | 70 mm | 152 mm | 22 mm | 203 mm | 32 mm | 330 mm | 57       |
| DF-511    | 89249    | 406 mm | 406 mm | 81 mm | 152 mm | 22 mm | 203 mm | 32 mm | 330 mm | 64       |

## SINGLE ROLLER BUTTON CHOCK

**Nabrico Products**  
[www.nabrico-marine.com](http://www.nabrico-marine.com)

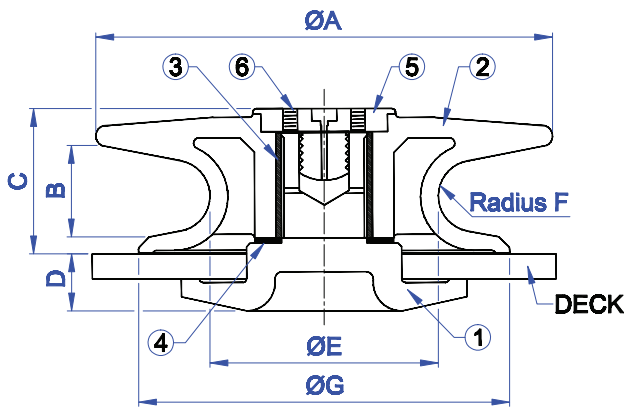
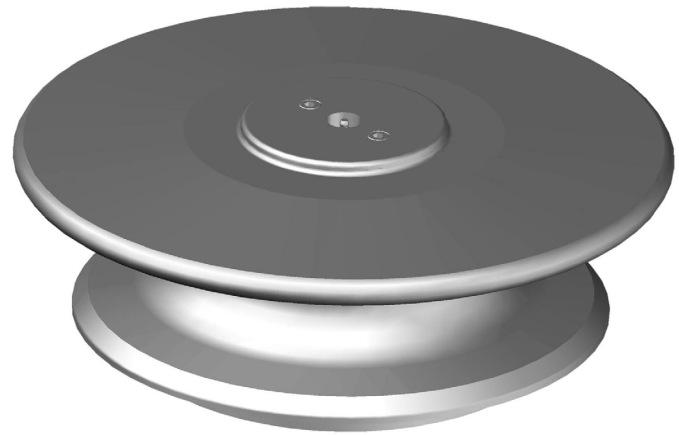
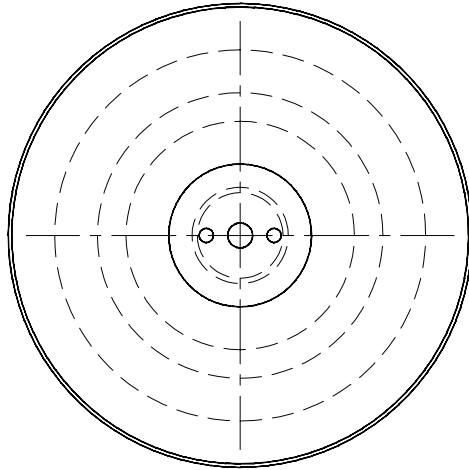
**133**

1250 Gateway Drive  
 Gallatin, Tennessee 37066  
 615-442-1300

The specifications and details described by drawings or text in this literature are subject to change without notice.



# NABRICO



| PIECE No. | DESCRIPTION   | PART No. | MATERIAL   |
|-----------|---------------|----------|------------|
| 1         | ROLLER BASE   | 6971     | CAST STEEL |
| 2         | ROLLER SHEAVE | 6947     | CAST STEEL |
| 3         | BUSHING       | 6920     | BRONZE     |
| 4         | WASHER        | 6912     | BRASS      |
| 5         | ROLLER CAP    | 6939     | BRASS      |
| 6         | SET SCREW     | 74918    | STAINLESS  |

| MODEL No. | PART No. | SIZE   | A      | B     | C      | D     | ØE     | F     | ØG     | WT. (Kg) |
|-----------|----------|--------|--------|-------|--------|-------|--------|-------|--------|----------|
| DF-11     | 6998     | 406 mm | 406 mm | 81 mm | 129 mm | 51 mm | 203 mm | 32 mm | 330 mm | 58       |

## THRU DECK SINGLE ROLLER BUTTON CHOCK

**Nabrico Products**  
[www.nabrico-marine.com](http://www.nabrico-marine.com)

**134**

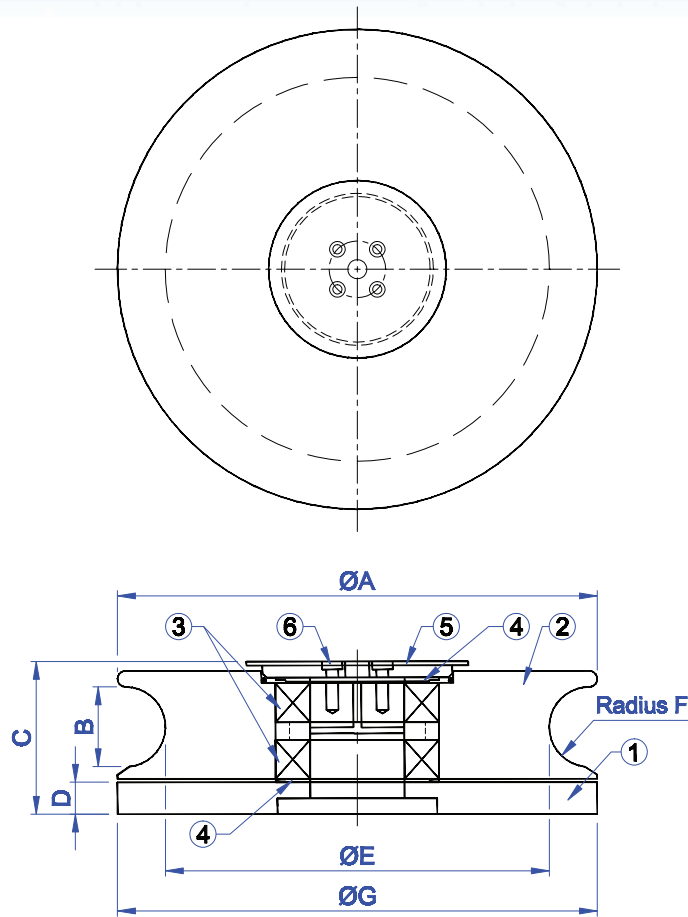
1250 Gateway Drive  
 Gallatin, Tennessee 37066  
 615-442-1300

The specifications and details described by drawings or text in this literature are subject to change without notice.





# NABRICO



| PIECE No. | DESCRIPTION         | PART No. | MATERIAL  |
|-----------|---------------------|----------|-----------|
| 1         | ROLLER BASE         | 79026    | STEEL     |
| 2         | ROLLER SHEAVE       | 79027    | STEEL     |
| 3         | ROLLER BEARING (x2) | 79025    | STAINLESS |
| 4         | WASHER (x2)         | 79028    | STEEL     |
| 5         | ROLLER CAP          | 79029    | STEEL     |
| 6         | SCREW               | 79030    | STAINLESS |

| MODEL No. | PART No. | SIZE   | ØA     | B     | C      | D     | ØE     | F     | ØG     | WT. (Kg) |
|-----------|----------|--------|--------|-------|--------|-------|--------|-------|--------|----------|
| DF-511HD  | 89250    | 381 mm | 381 mm | 64 mm | 152 mm | 25 mm | 305 mm | 32 mm | 381 mm | 82       |

## HEAVY DUTY SINGLE ROLLER BUTTON CHOCK

**Nabrico Products**  
[www.nabrico-marine.com](http://www.nabrico-marine.com)

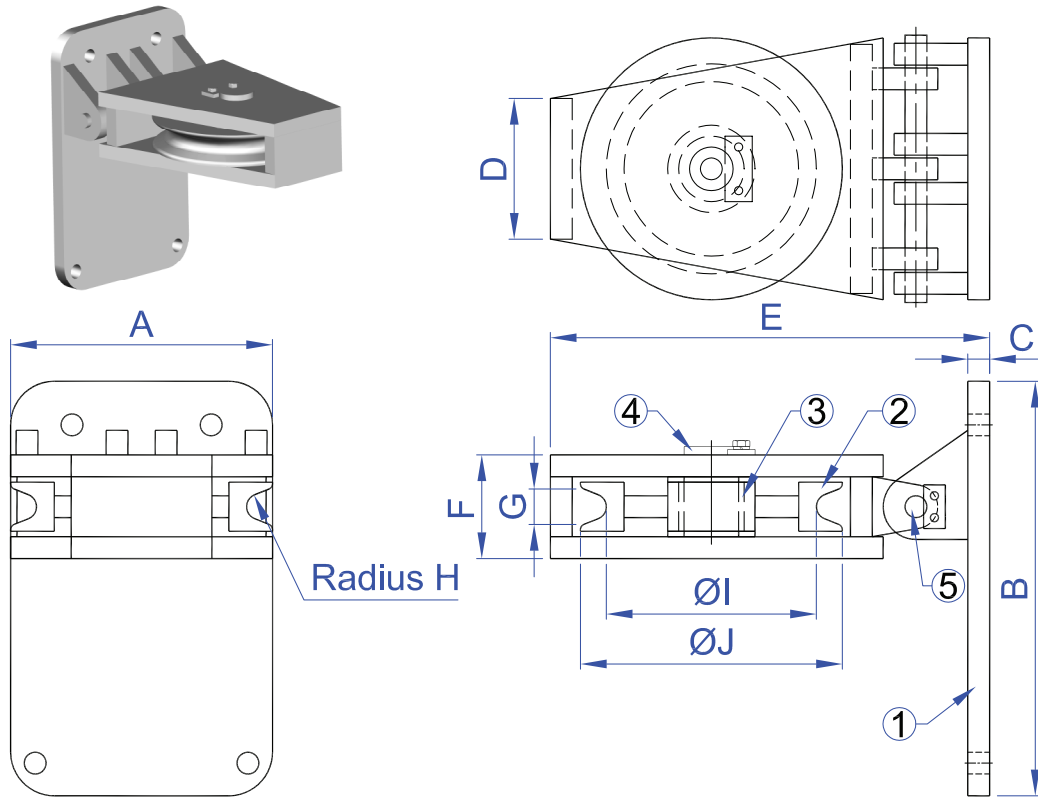
**135**

1250 Gateway Drive  
 Gallatin, Tennessee 37066  
 615-442-1300

The specifications and details described by drawings or text in this literature are subject to change without notice.



# NABRICO



| PIECE No. | DESCRIPTION    | PART No. |        | MATERIAL  |
|-----------|----------------|----------|--------|-----------|
|           |                | DF-710   | DF-712 |           |
| 1         | MOUNTING PLATE | 6735     |        | STEEL     |
| 2         | ROLLER SHEAVE  | 6736     | 6738   | STAINLESS |
| 3         | BUSHING        | 6740     |        | BRONZE    |
| 4         | ROLLER PIN     | 6737     |        | STAINLESS |
| 5         | HINGE PIN      | 6739     |        | STAINLESS |

| MODEL No. | PART No. | SIZE   | A      | B      | C     | D      | E      | F      | G     | H     | ØI     | J      | WT. (Kg) |
|-----------|----------|--------|--------|--------|-------|--------|--------|--------|-------|-------|--------|--------|----------|
| DF-710    | 6478     | 254 mm | 305 mm | 483 mm | 25 mm | 165 mm | 476 mm | 121 mm | 48 mm | 13 mm | 191 mm | 254 mm | 96       |
| DF-712    | 6479     | 305 mm | 305 mm | 483 mm | 25 mm | 165 mm | 514 mm | 121 mm | 51 mm | 14 mm | 241 mm | 305 mm | 109      |

## PIVOTING ROLLER CHOCK

**Nabrico Products**  
[www.nabrico-marine.com](http://www.nabrico-marine.com)

**136**

1250 Gateway Drive  
 Gallatin, Tennessee 37066  
 615-442-1300

The specifications and details described by drawings or text in this literature are subject to change without notice.

# SPECIALTY

**NABRICO manufactures expansion domes, portlights, fuel/oil tanks, drip pans, dog handles, and many other custom castings and fabrications. While many of these items are stock items, NABRICO can custom fit many of our products to your specific requirements. For over 100 years, NABRICO has been using their engineering ingenuity to ensure that our products fit the specific needs of our customers.**

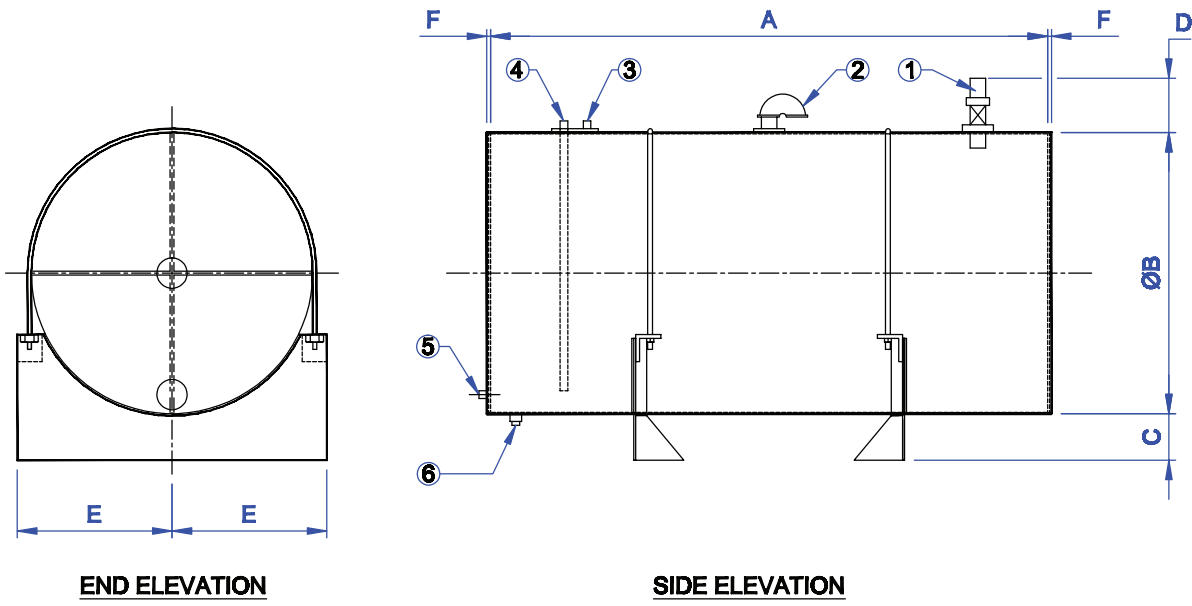


## SPECIALTY

|                     |         |
|---------------------|---------|
| FUEL/OIL TANK       | 138-140 |
| WARNING SIGN        | 141-143 |
| HEADS               | 144-145 |
| BILGE PLATES        | 146     |
| D-RING              | 147     |
| CORNER PLATES       | 148     |
| SUCTION BELLMOUTH   | 149-151 |
| RATCHET STRAP       | 152     |
| STUFFING GLAND      | 153     |
| EXPANSION TRUNK     | 154-155 |
| EXPANSION DOME      | 156     |
| INTERLOCKING PIN    | 157     |
| FLAG POLE           | 158     |
| FAIRLEAD ROLLER     | 159     |
| BARGE CRANE         | 160-162 |
| PORTLIGHT           | 163-168 |
| RUNNING LIGHT STAND | 169     |
| LADDER              | 170     |
| STEERING POLE       | 171     |
| DOCUMENT BOX        | 172     |
| DRY BOX             | 173     |
| DRIP PAN / COVER    | 174-175 |
| DOG HANDLE          | 176     |
| TUMBLE BOLT         | 177     |
| TUMBLE BOLT PIN     | 178     |
| TUMBLE BOLT LUG     | 179     |
| DOGGING PAD         | 180     |
| T-HANDLE            | 181     |
| SQUARE BRASS NUT    | 182     |
| EXPANSION PLATE     | 183     |
| FLEET ANGLE         | 184     |



# NABRICO



| PIECE No. | DESCRIPTION                                     |
|-----------|---|
| 1         | 51 MM DIA. FILL w/ BRASS CAP AND CHAIN          |
| 2         | 64 MM DIA. VENT w/ STAINLESS STEEL FLAME SCREEN |
| 3         | 25 MM DIA. RETURN CONNECTION                    |
| 4         | 25 MM DIA. SUCTION CONNECTION                   |
| 5         | 25 MM DIA. OPTIONAL SUCTION OR DRAIN w/ PLUG    |
| 6         | 38 MM DIA. DRAIN w/ PLUG                        |

| MODEL No. | PART No. | SIZE       | A       | ØB     | C      | D      | E      | F    | WT. (Kg) |
|-----------|----------|------------|---------|--------|--------|--------|--------|------|----------|
| DF-448    | 6246     | 1364 LITER | 1829 mm | 914 mm | 152 mm | 178 mm | 508 mm | 8 mm | 325      |

## 300 GALLON FUEL OIL TANK

**Nabrico Products**  
[www.nabrico-marine.com](http://www.nabrico-marine.com)

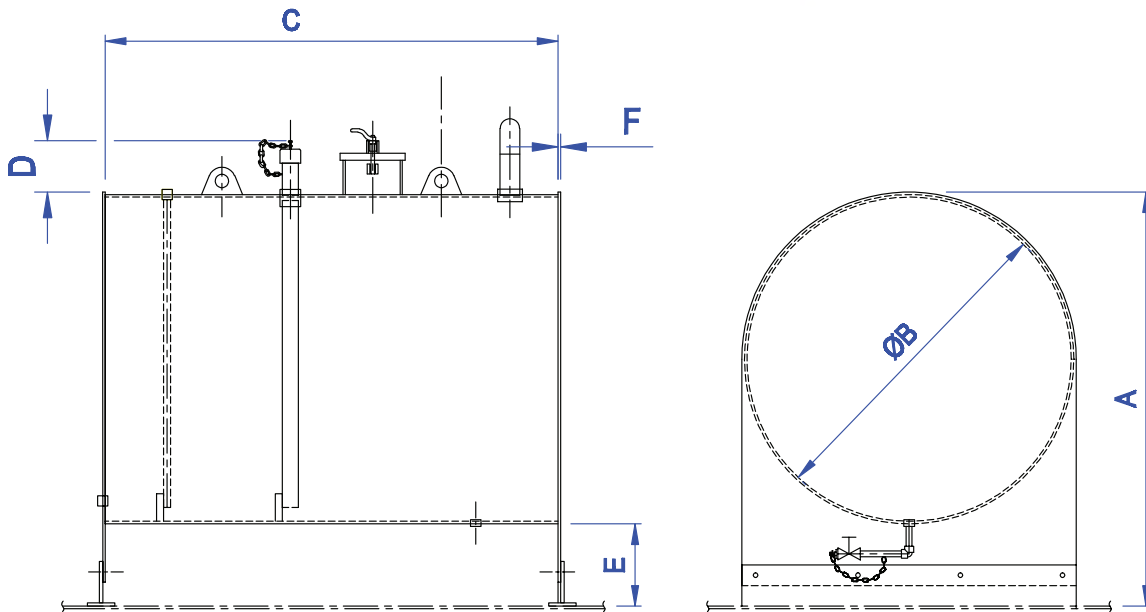
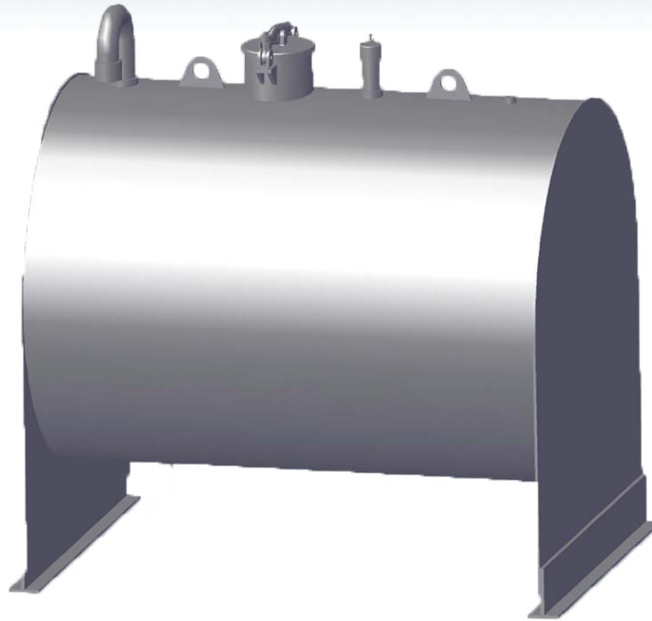
1250 Gateway Drive  
 Gallatin, Tennessee 37066  
 615-442-1300

The specifications and details described by drawings or text in this literature are subject to change without notice.





# NABRICO



| MODEL No. | PART No. | SIZE       | A       | ØB      | C       | D      | E      | F     | WT. (Kg) |
|-----------|----------|------------|---------|---------|---------|--------|--------|-------|----------|
| DF-457    | 87881    | 2273 LITER | 1230 mm | 1067 mm | 2153 mm | 178 mm | 152 mm | 13 mm | 567      |

## 500 GALLON FUEL TANK

**Nabrico Products**  
[www.nabrico-marine.com](http://www.nabrico-marine.com)

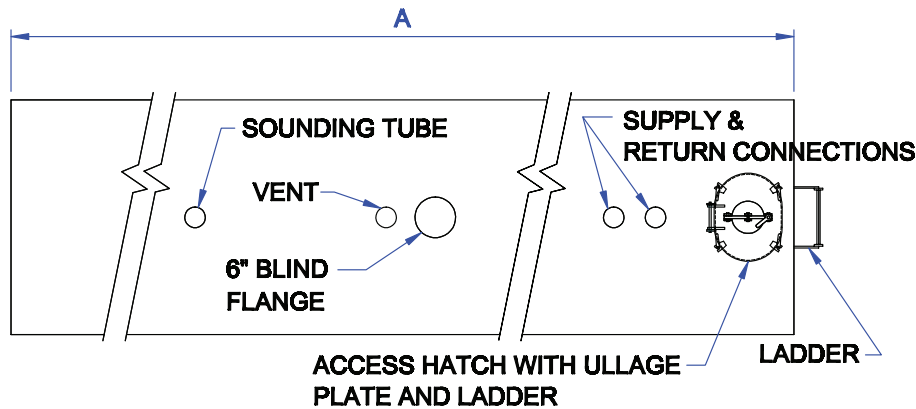
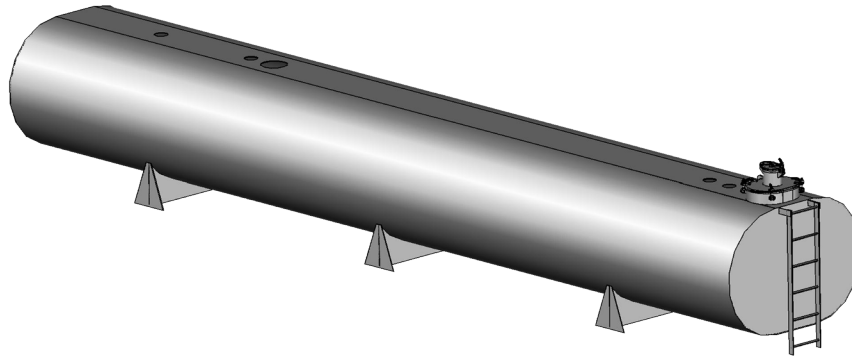
**139**

1250 Gateway Drive  
 Gallatin, Tennessee 37066  
 615-442-1300

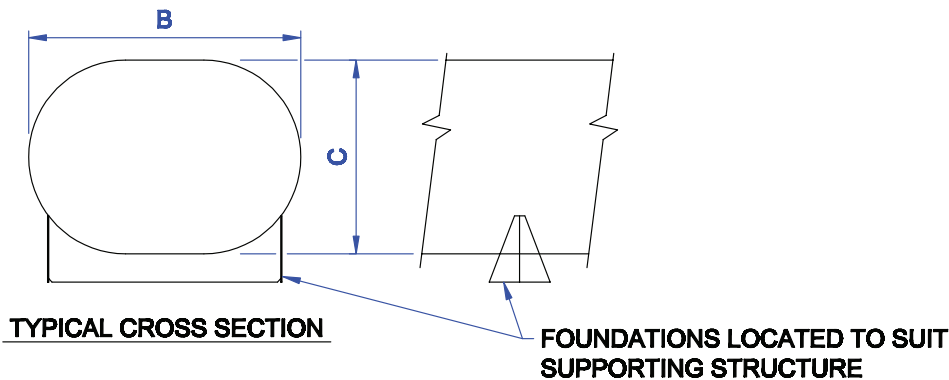
The specifications and details described by drawings or text in this literature are subject to change without notice.



# NABRICO



PLAN VIEW



TYPICAL CROSS SECTION

FOUNDATIONS LOCATED TO SUIT SUPPORTING STRUCTURE

| MODEL No. | PART No. | SIZE        | A        | ØB      | C       | WT. (Kg) |
|-----------|----------|-------------|----------|---------|---------|----------|
| DF-136    | 87912    | 34096 LITER | 11430 mm | 2032 mm | 1448 mm | 4446     |

1- CUSTOM SIZES AND STYLES AVAILABLE.

## 7500 GALLON DECK TANK

**Nabrico Products**  
[www.nabrico-marine.com](http://www.nabrico-marine.com)

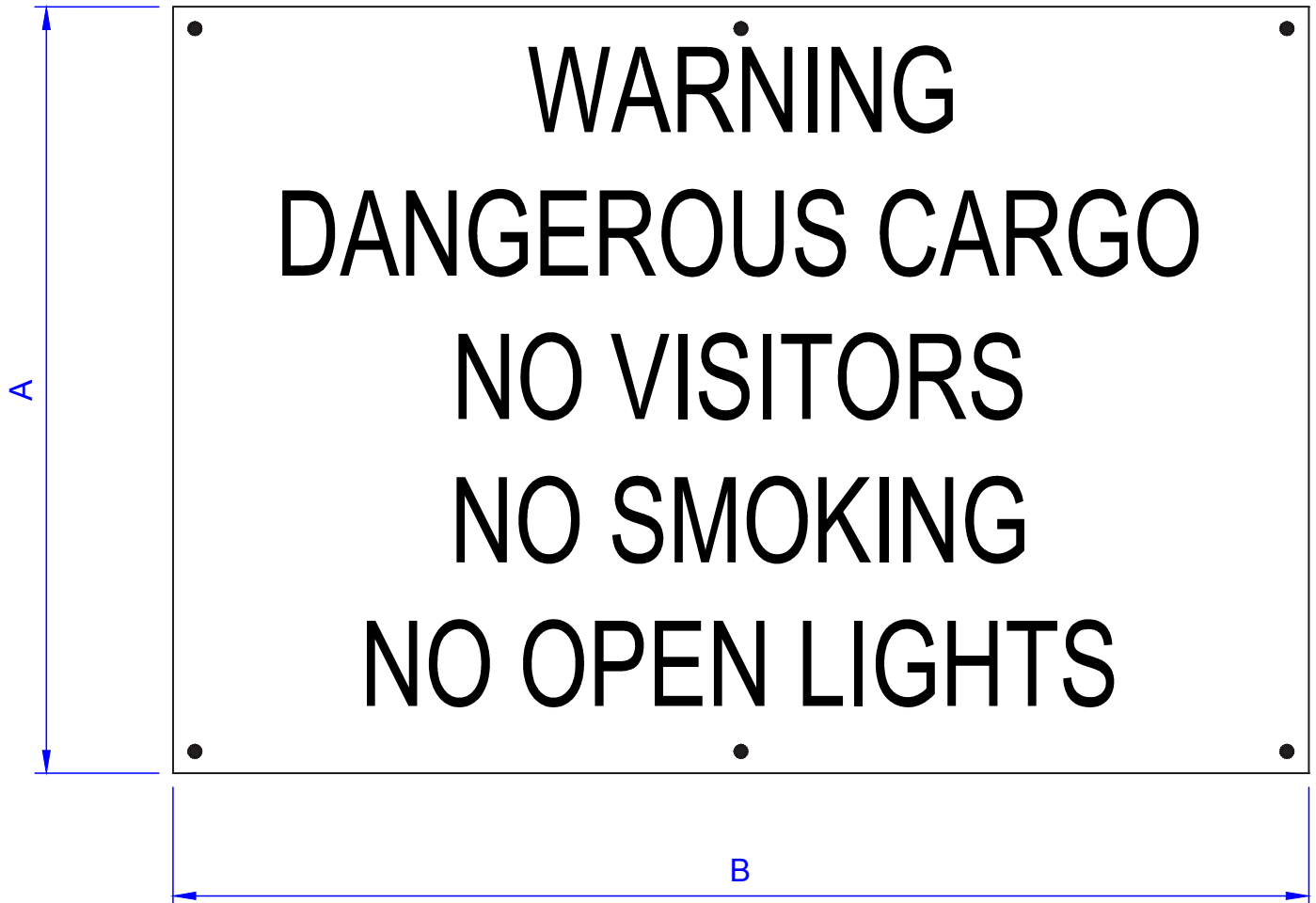
**140**

1250 Gateway Drive  
 Gallatin, Tennessee 37066  
 615-442-1300

The specifications and details described by drawings or text in this literature are subject to change without notice.



# NABRICO



- NOTES: 1. THE SIGN CONFORMS TO 46CFR151.45-2(e) (1)  
2. INFORMATION SHOWN ON BOTH SIDES OF SIGN

| MODEL No. | PART No. | SIZE     | A      | ØB      | WT. (Kg) |
|-----------|----------|----------|--------|---------|----------|
| DF-125    | 6718     | 686x1016 | 686 mm | 1016 mm | 3        |

## ALUMINUM WARNING SIGN

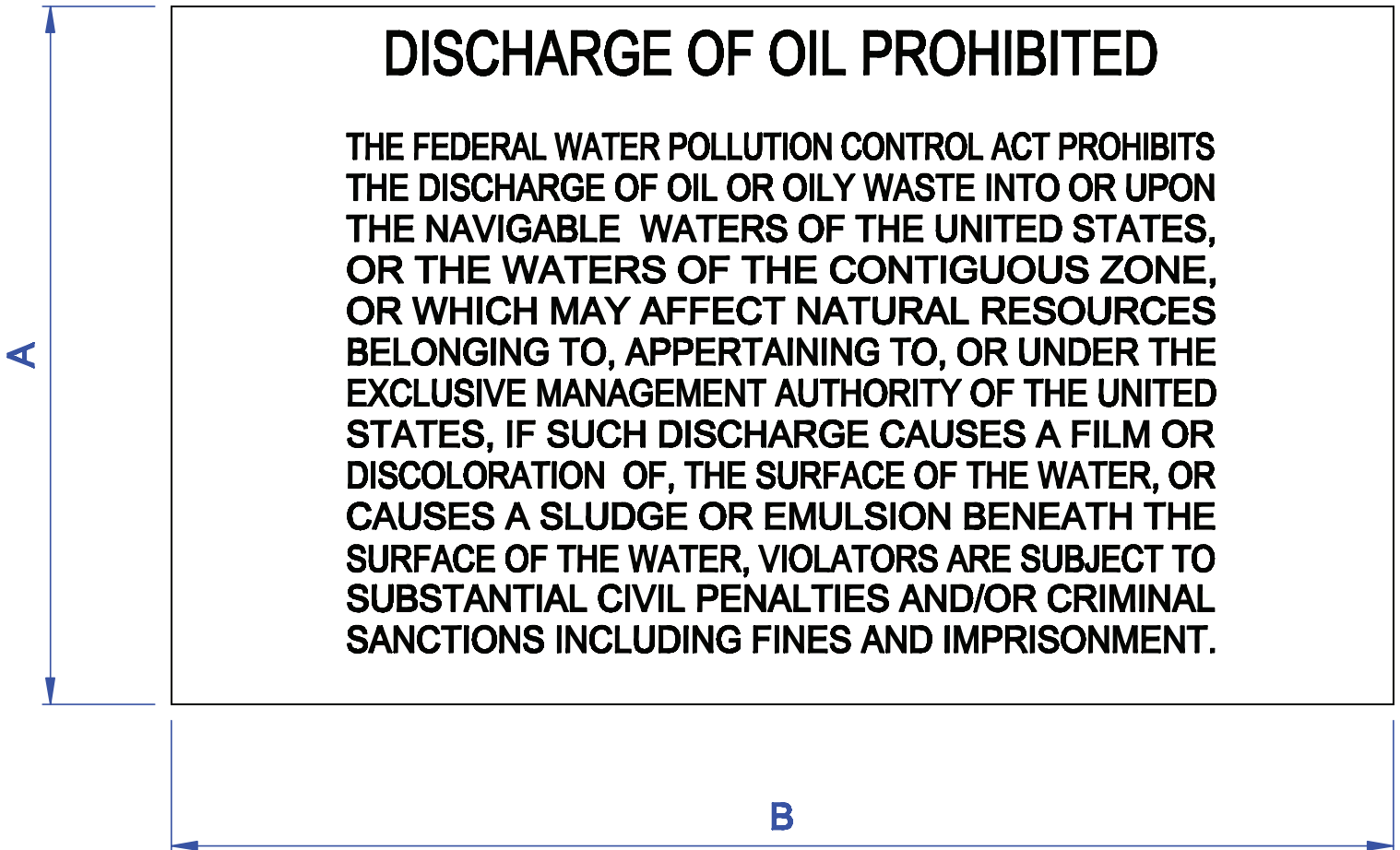
**Nabrico Products**  
[www.nabrico-marine.com](http://www.nabrico-marine.com)

**141**

1250 Gateway Drive  
Gallatin, Tennessee 37066  
615-442-1300



# NABRICO



- NOTES: 1. THIS SIGN CONFORMS TO 33 CFR 155.450 (a)  
 2. INFORMATION SHOWN ON ONE SIDE OF SIGN  
 3. RED LETTERS ON WHITE BACKGROUND  
 4. COMES WITH DOUBLE-SIDED FOAM TAPE FOR EASY MOUNTING

| MODEL No. | PART No. | SIZE    | A      | ØB     | WT. (Kg) |
|-----------|----------|---------|--------|--------|----------|
| DF-513    | 75434    | 203x356 | 203 mm | 356 mm | 1        |

## OIL POLLUTION WARNING SIGN

**Nabrico Products**  
[www.nabrico-marine.com](http://www.nabrico-marine.com)

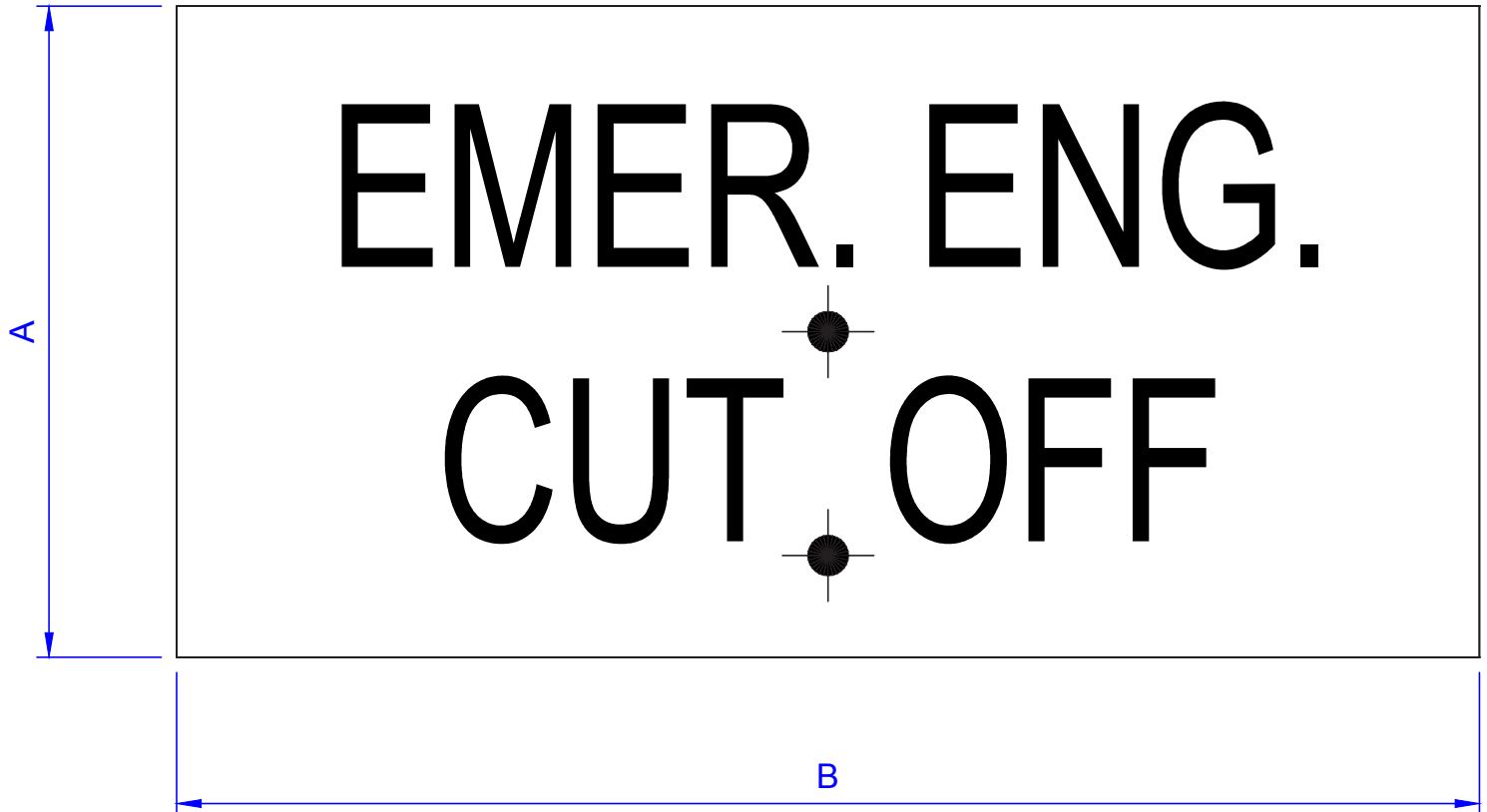
**142**

1250 Gateway Drive  
 Gallatin, Tennessee 37066  
 615-442-1300





# NABRICO



- NOTES: 1. INFORMATION SHOWN ON BOTH SIDES OF SIGN  
2. THIS SIGN CONFORMS TO 46 CFR 32.50-35 (a)

| MODEL No. | PART No. | SIZE    | A      | B      | WT. (Kg) |
|-----------|----------|---------|--------|--------|----------|
| DF-335    | 6351     | 203x406 | 203 mm | 406 mm | 2        |

## ALUMINUM EMERGENCY ENGINE CUT OFF SIGN

**Nabrico Products**  
[www.nabrico-marine.com](http://www.nabrico-marine.com)

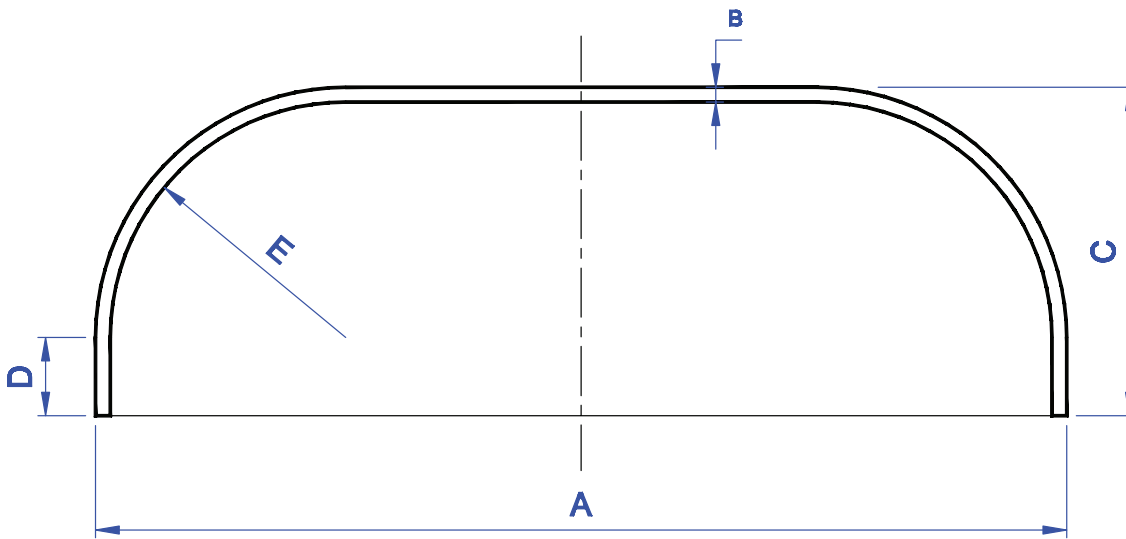
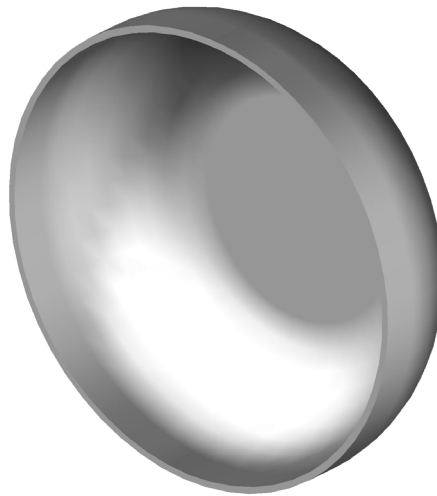
**143**

1250 Gateway Drive  
Gallatin, Tennessee 37066  
615-442-1300

The specifications and details described by drawings or text in this literature are subject to change without notice.



# NABRICO



| MODEL NO. | PART NO. | A      | B     | C      | D     | E      | WT (Kg) |
|-----------|----------|--------|-------|--------|-------|--------|---------|
| SE-22     | 90042    | 629 mm | 10 mm | 213 mm | 51 mm | 152 mm | 44      |
| SE-29     | 89923    | 648 mm | 19 mm | 171 mm | n/a   | 152 mm | 73      |
| SE-33     | 90051    | 914 mm | 10 mm | 76 mm  | 38 mm | 29 mm  | 64      |

## FLANGED HEAD

**Nabrico Products**  
[www.nabrico-marine.com](http://www.nabrico-marine.com)

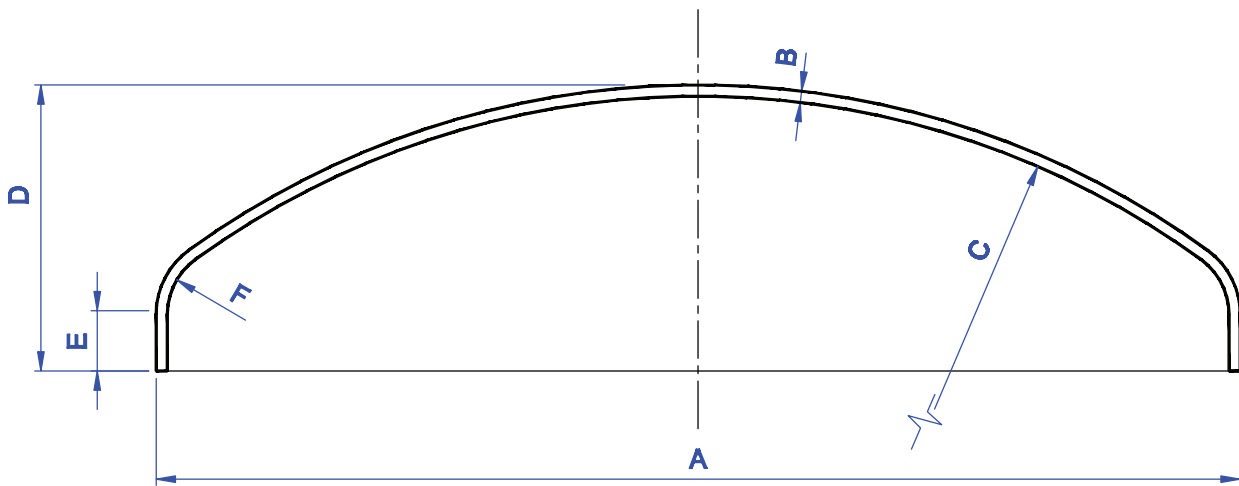
**144**

1250 Gateway Drive  
 Gallatin, Tennessee 37066  
 615-442-1300

The specifications and details described by drawings or text in this literature are subject to change without notice.



# NABRICO



| MODEL No. | PART No. | A      | B     | C      | D      | E     | F     | WT. (Kg) |
|-----------|----------|--------|-------|--------|--------|-------|-------|----------|
| SE-31     | 90046    | 914 mm | 10 mm | 732 mm | 241 mm | 51 mm | 57 mm | 71       |

## FLANGED AND DISHED HEAD

**Nabrico Products**  
[www.nabrico-marine.com](http://www.nabrico-marine.com)

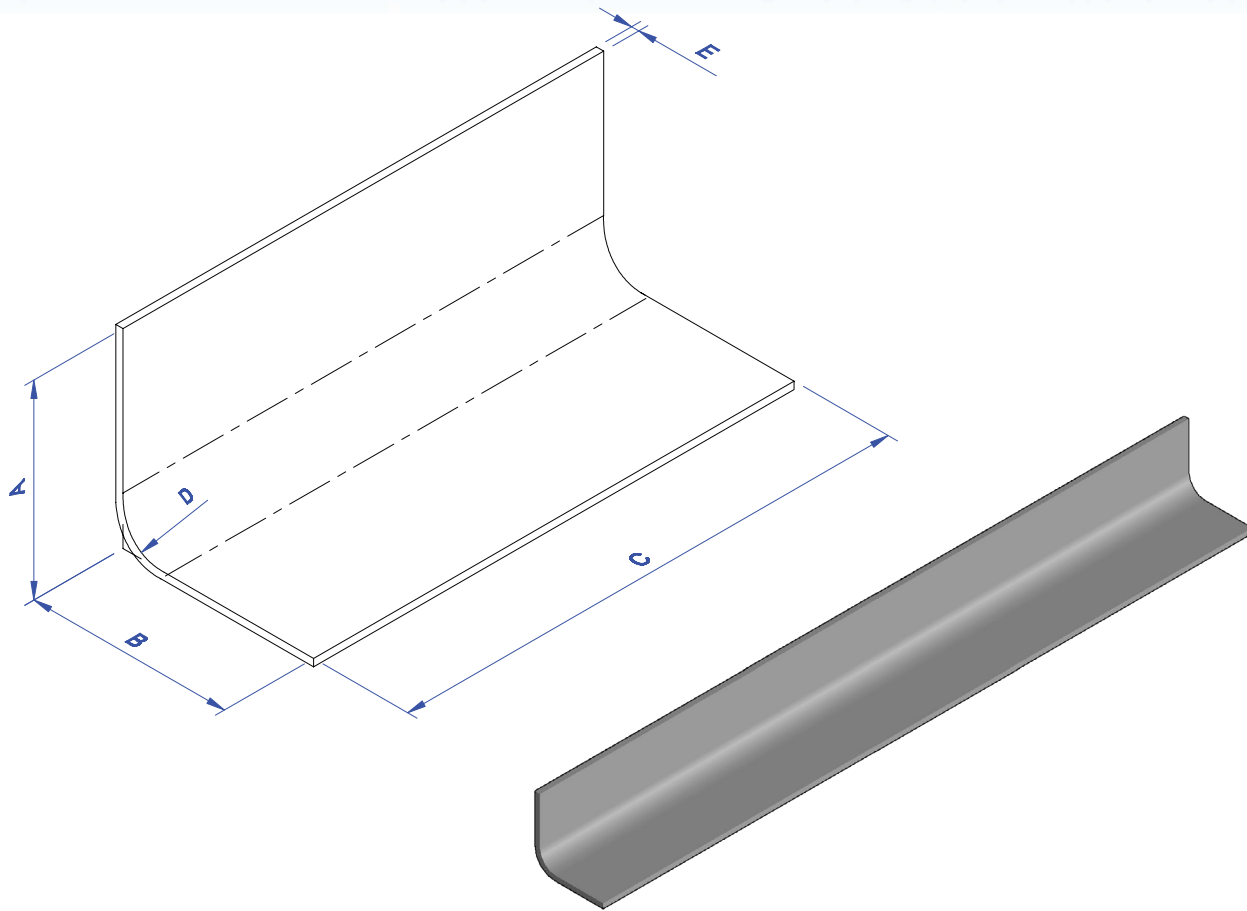
**145**

1250 Gateway Drive  
 Gallatin, Tennessee 37066  
 615-442-1300

The specifications and details described by drawings or text in this literature are subject to change without notice.



# NABRICO



| MODEL No.    | SIZE             | A       | B       | C        | D      | E     | WT. (Kg) |
|--------------|------------------|---------|---------|----------|--------|-------|----------|
| BP123/440-44 | PL 2438x19x12192 | 1270 mm | 1270 mm | 12192 mm | 305 mm | 19 mm | 4446     |
| BP63/440-44  | PL 2438x19x12192 | 1245 mm | 1245 mm | 12192 mm | 152 mm | 19 mm | 4446     |
| BP121/240-44 | PL 2438x13x12192 | 1270 mm | 1270 mm | 12192 mm | 305 mm | 13 mm | 2964     |
| BP61/240-44  | PL 2438x13x12192 | 1245 mm | 1245 mm | 12192 mm | 152 mm | 13 mm | 2964     |
| BP123/440-62 | PL 2438x19x12192 | 1880 mm | 660 mm  | 12192 mm | 305 mm | 19 mm | 4446     |
| BP63/440-62  | PL 2438x19x12192 | 1854 mm | 635 mm  | 12192 mm | 152 mm | 19 mm | 4446     |
| BP121/240-62 | PL 2438x13x12192 | 1880 mm | 660 mm  | 12192 mm | 305 mm | 13 mm | 2964     |
| BP61/240-62  | PL 2438x13x12192 | 1854 mm | 635 mm  | 12192 mm | 152 mm | 13 mm | 2964     |

## BILGE PLATES

**Nabrico Products**  
[www.nabrico-marine.com](http://www.nabrico-marine.com)

**146**

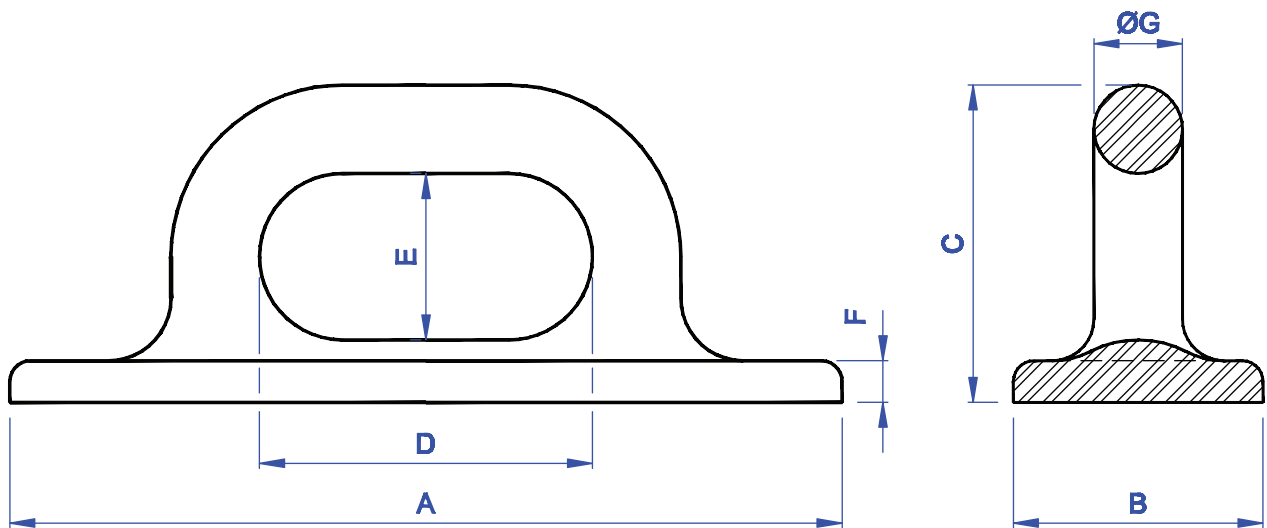
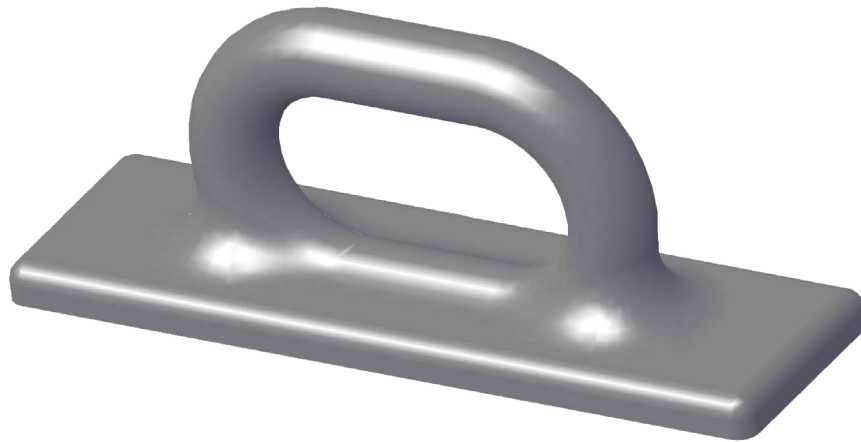
1250 Gateway Drive  
 Gallatin, Tennessee 37066  
 615-442-1300

The specifications and details described by drawings or text in this literature are subject to change without notice.





# NABRICO



| MODEL No. | PART No. | A      | B      | C      | D      | E      | F     | ØG    | WT. (Kg) |
|-----------|----------|--------|--------|--------|--------|--------|-------|-------|----------|
| DF-196    | 16713    | 508 mm | 152 mm | 194 mm | 203 mm | 102 mm | 25 mm | 54 mm | 25       |

## CAST STEEL D-RING

**Nabrico Products**  
[www.nabrico-marine.com](http://www.nabrico-marine.com)

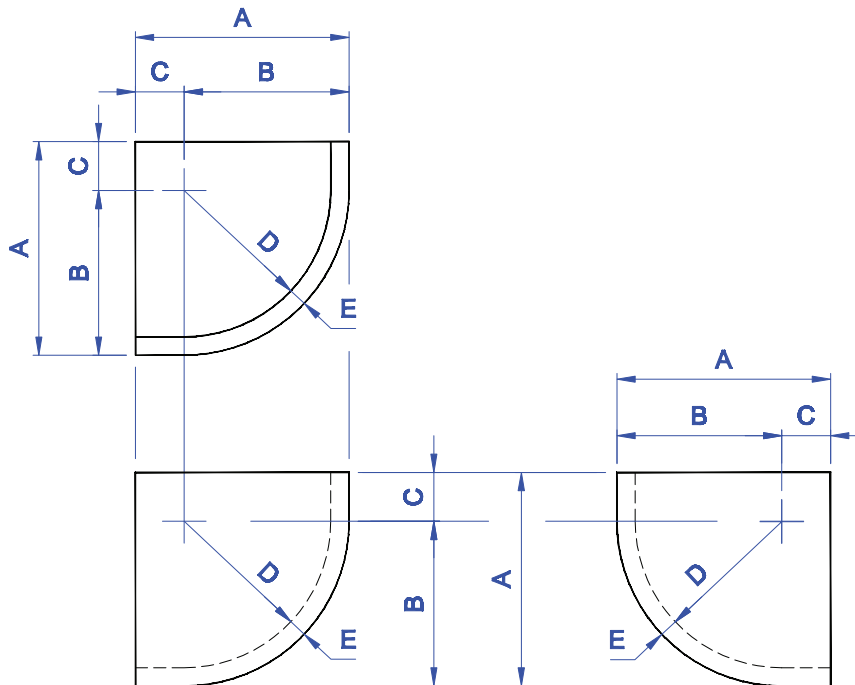
**147**

1250 Gateway Drive  
 Gallatin, Tennessee 37066  
 615-442-1300

The specifications and details described by drawings or text in this literature are subject to change without notice.



# NABRICO



| MODEL No. | PART No. | SIZE   | A      | B      | C     | D      | E     | WT. (Kg) |
|-----------|----------|--------|--------|--------|-------|--------|-------|----------|
| DF-486-6  | 87998    | 152 mm | 222 mm | 171 mm | 51 mm | 152 mm | 19 mm | 25       |
| DF-487-12 | 88005    | 305 mm | 375 mm | 324 mm | 51 mm | 305 mm | 19 mm | 76       |

## STEEL CORNER PLATES

**Nabrico Products**  
[www.nabrico-marine.com](http://www.nabrico-marine.com)

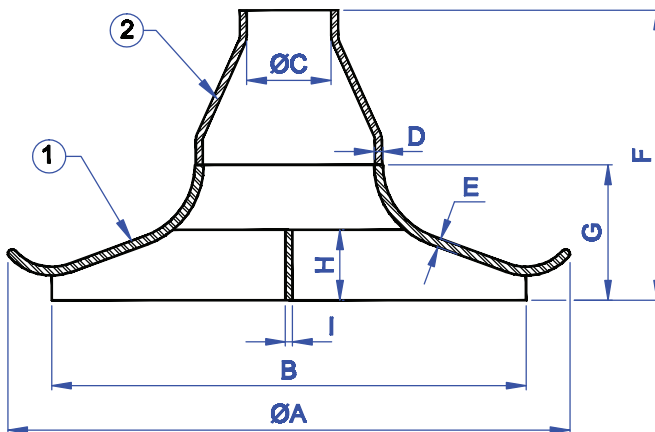
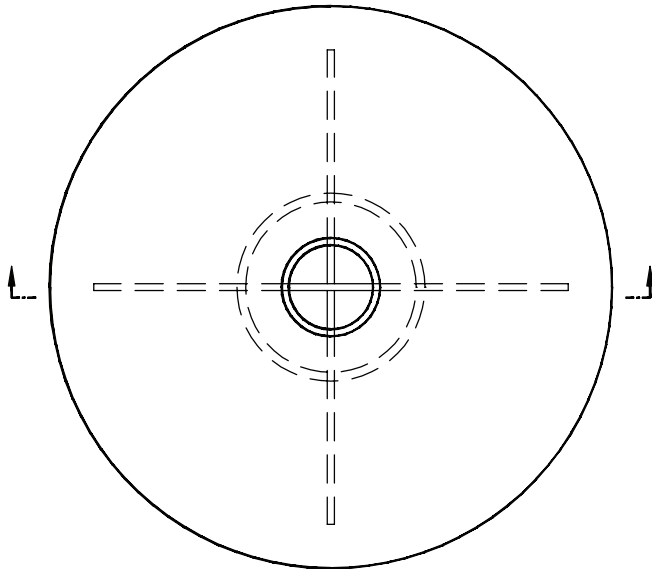
**148**

1250 Gateway Drive  
 Gallatin, Tennessee 37066  
 615-442-1300

The specifications and details described by drawings or text in this literature are subject to change without notice.



# NABRICO



| MODEL No. | PART No. | SIZE   | ØA     | B      | ØC     | D     | E    | F      | G      | H     | I    | WT. (Kg) |
|-----------|----------|--------|--------|--------|--------|-------|------|--------|--------|-------|------|----------|
| DF-82-3   | 6790     | 76 mm  | 508 mm | 429 mm | 76 mm  | 13 mm | 8 mm | 262 mm | 122 mm | 64 mm | 6 mm | 19       |
| DF-82-4   | 6791     | 102 mm | 508 mm | 429 mm | 102 mm | 13 mm | 8 mm | 262 mm | 122 mm | 64 mm | 6 mm | 19       |

## REDUCED STEEL SUCTION BELLMOUTH

**Nabrico Products**  
[www.nabrico-marine.com](http://www.nabrico-marine.com)

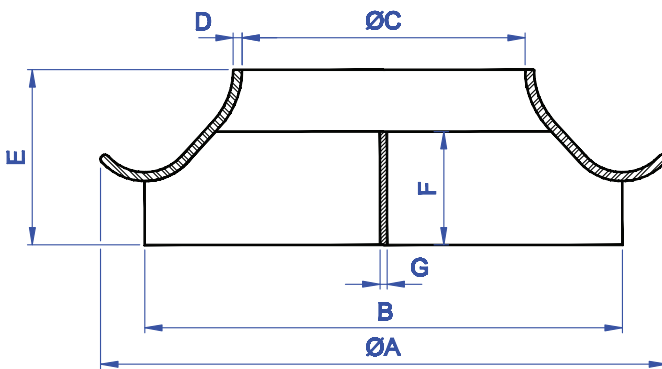
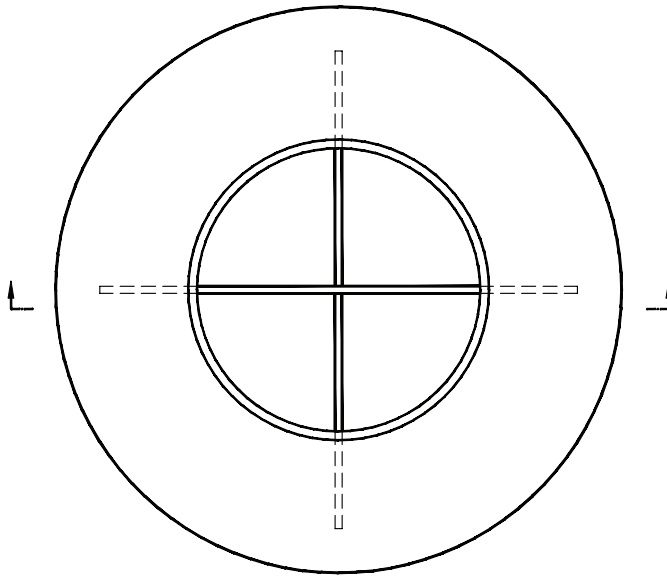
**149**

1250 Gateway Drive  
 Gallatin, Tennessee 37066  
 615-442-1300

The specifications and details described by drawings or text in this literature are subject to change without notice.



# NABRICO



| MODEL No. | PART No. | SIZE   | ØA     | B      | ØC     | D    | E      | F      | G    | WT. (Kg) |
|-----------|----------|--------|--------|--------|--------|------|--------|--------|------|----------|
| DF-82-6   | 6793     | 152 mm | 508 mm | 429 mm | 154 mm | 8 mm | 122 mm | 64 mm  | 6 mm | 15       |
| DF-82-8   | 13749    | 203 mm | 508 mm | 429 mm | 205 mm | 8 mm | 137 mm | 76 mm  | 6 mm | 16       |
| DF-82-10  | 17191    | 254 mm | 508 mm | 429 mm | 254 mm | 8 mm | 157 mm | 102 mm | 6 mm | 18       |

## STEEL SUCTION BELLMOUTH

**Nabrico Products**  
[www.nabrico-marine.com](http://www.nabrico-marine.com)

**150**

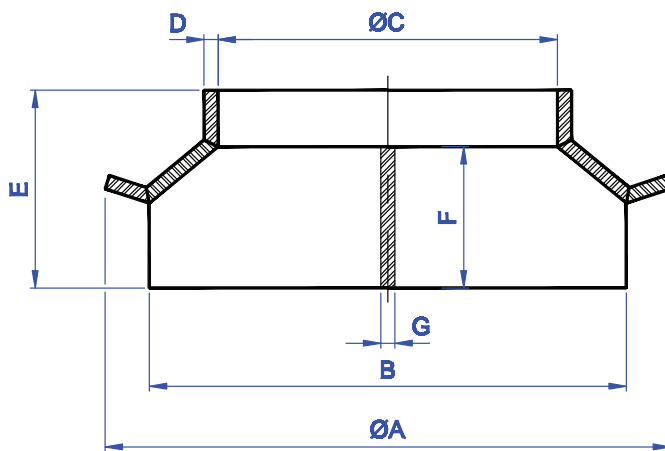
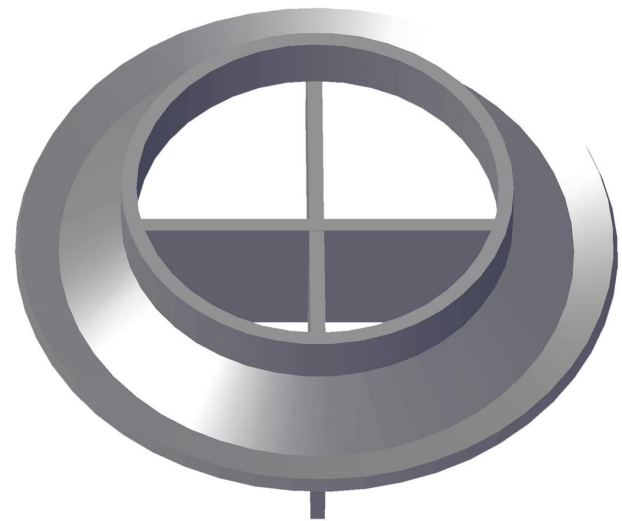
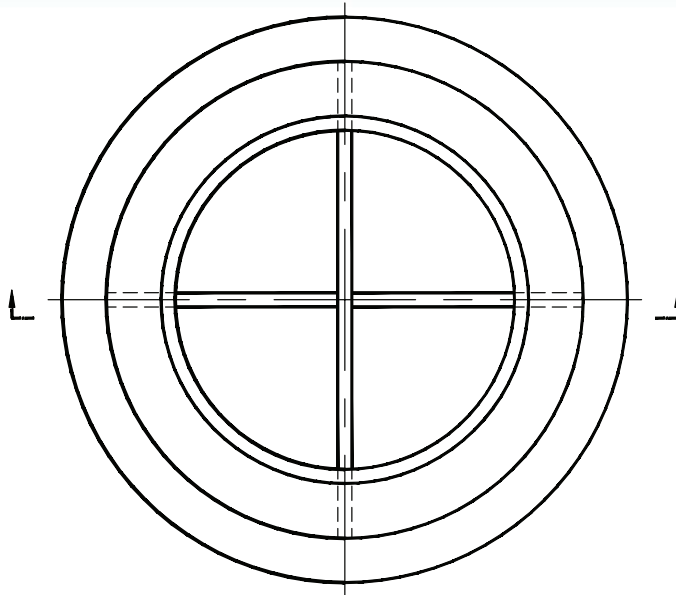
1250 Gateway Drive  
 Gallatin, Tennessee 37066  
 615-442-1300

The specifications and details described by drawings or text in this literature are subject to change without notice.





# NABRICO



| MODEL No. | PART No. | SIZE   | ØA     | B      | ØC     | D     | E      | F      | G     | WT. (Kg) |
|-----------|----------|--------|--------|--------|--------|-------|--------|--------|-------|----------|
| DF-82-12  | 17192    | 305 mm | 508 mm | 429 mm | 305 mm | 13 mm | 178 mm | 127 mm | 13 mm | 29       |
| DF-82-14  | 17199    | 356 mm | 508 mm | 429 mm | 337 mm | 13 mm | 203 mm | 152 mm | 13 mm | 29       |

## STEEL SUCTION BELLMOUTH

**Nabrico Products**  
[www.nabrico-marine.com](http://www.nabrico-marine.com)

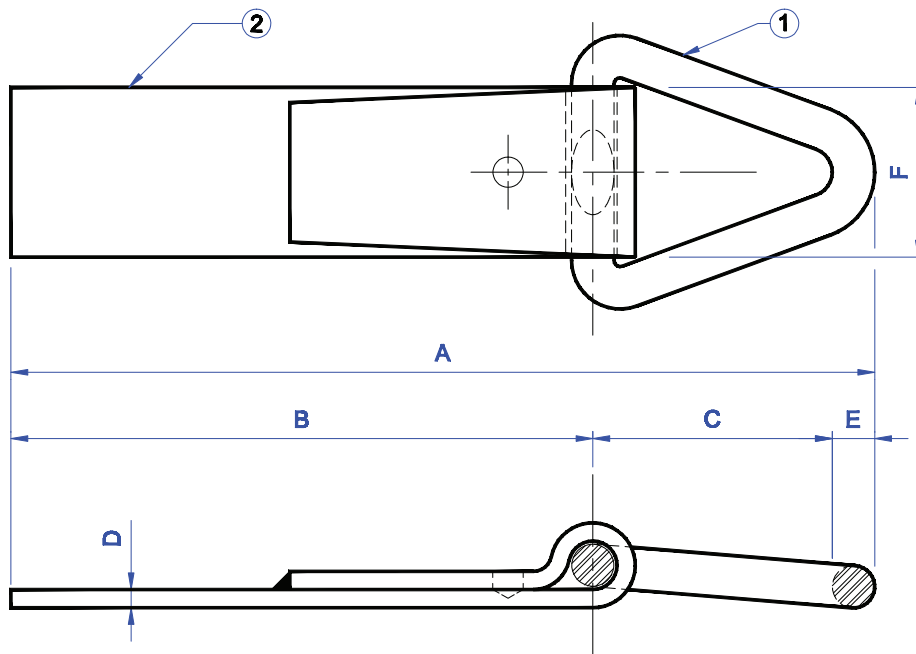
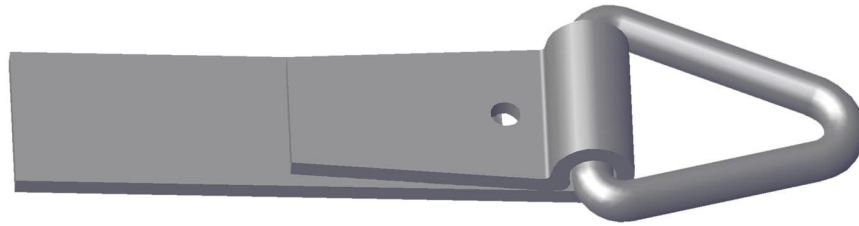
**151**

1250 Gateway Drive  
 Gallatin, Tennessee 37066  
 615-442-1300

The specifications and details described by drawings or text in this literature are subject to change without notice.



# NABRICO



| PIECE No. | DESCRIPTION         | PART No. | MATERIAL |
|-----------|---------------------|----------|----------|
| 1         | RATCHET STRAP RING  | 75736    | STEEL    |
| 2         | RATCHET STRAP PLATE | 75744    | STEEL    |

| MODEL No. | PART No. | A      | B      | C      | D     | E     | F      | WT. (Kg) |
|-----------|----------|--------|--------|--------|-------|-------|--------|----------|
| DF-80     | 6807     | 905 mm | 610 mm | 251 mm | 19 mm | 44 mm | 178 mm | 38       |

## RATCHET STRAP

**Nabrico Products**  
[www.nabrico-marine.com](http://www.nabrico-marine.com)

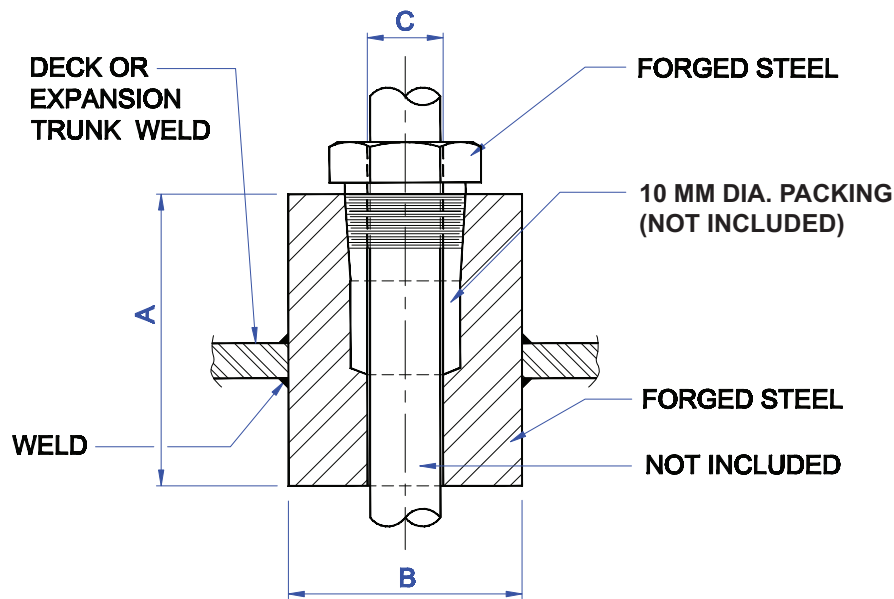
**152**

1250 Gateway Drive  
 Gallatin, Tennessee 37066  
 615-442-1300

The specifications and details described by drawings or text in this literature are subject to change without notice.



# NABRICO



| MODEL No.    | PART No. | SIZE ROD | A     | B     | C     | WT. (Kg) |
|--------------|----------|----------|-------|-------|-------|----------|
| DF-437- 3/4  | 75191    | 19 mm    | 79 mm | 64 mm | 21 mm | 2        |
| DF-437-1     | 6254     | 25 mm    | 79 mm | 64 mm | 27 mm | 2        |
| DF-437-1 1/4 | 75175    | 32 mm    | 86 mm | 76 mm | 33 mm | 3        |
| DF-437-1 1/2 | 75183    | 38 mm    | 86 mm | 76 mm | 40 mm | 3        |

## STUFFING GLAND

**Nabrico Products**  
[www.nabrico-marine.com](http://www.nabrico-marine.com)

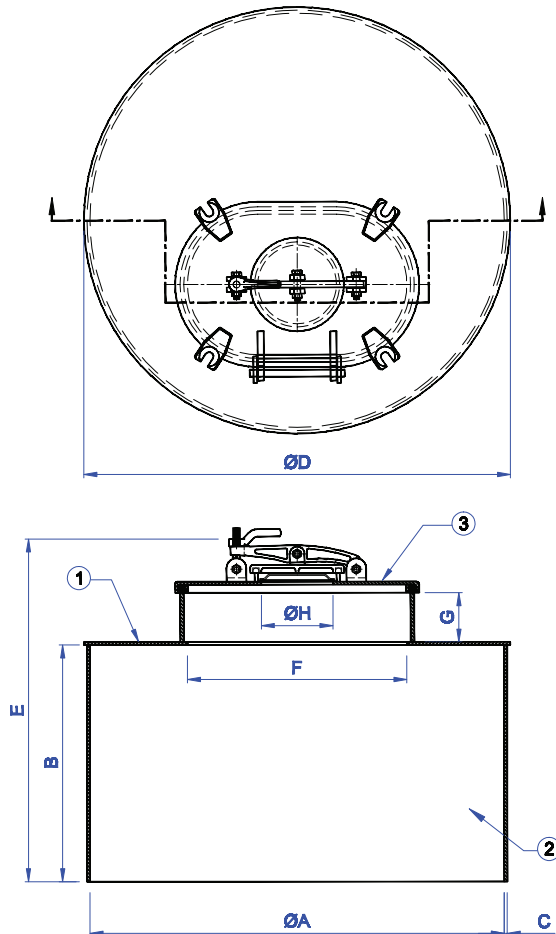
**153**

1250 Gateway Drive  
 Gallatin, Tennessee 37066  
 615-442-1300

The specifications and details described by drawings or text in this literature are subject to change without notice.



# NABRICO



| PIECE No. | DESCRIPTION                            | PART No. | MATERIAL |
|-----------|--|----------|----------|
| 1         | COVER PLATE                            | 76163    | STEEL    |
| 2         | COAMING ASSEMBLY                       | 76171    | STEEL    |
| 3         | DF-174 HATCH W/<br>DF-144 ULLAGE HATCH | 8214     | STEEL    |

| MODEL No. | PART No. | SIZE         | ØA         | B         | C       | ØD         | E         | F             | G         | ØH        | WT. (Kg) |
|-----------|----------|--------------|------------|-----------|---------|------------|-----------|---------------|-----------|-----------|----------|
| DF-449    | 6238     | 1067x<br>610 | 1067<br>mm | 610<br>mm | 8<br>mm | 1099<br>mm | 883<br>mm | 565x337<br>mm | 127<br>mm | 184<br>mm | 236      |

1- AVAILABLE IN A VARIETY OF SIZES AND MATERIALS.

## EXPANSION TRUNK

**Nabrico Products**  
www.nabrico-marine.com

**154**

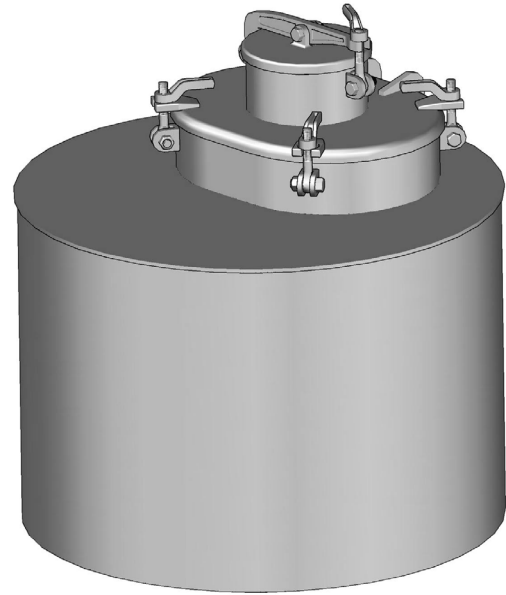
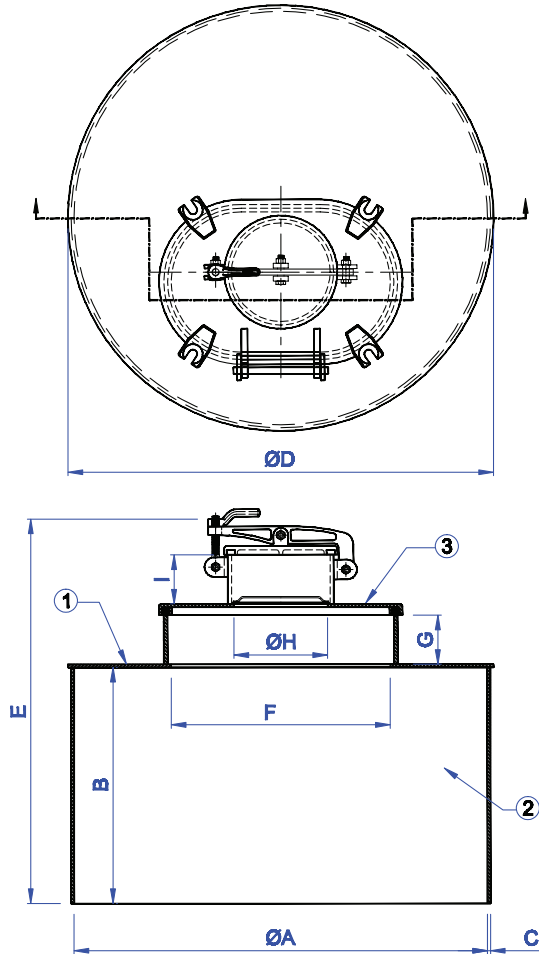
1250 Gateway Drive  
Gallatin, Tennessee 37066  
615-442-1300

The specifications and details described by drawings or text in this literature are subject to change without notice.





# NABRICO



| PIECE No. | DESCRIPTION                              | PART No. | MATERIAL |
|-----------|--|----------|----------|
| 1         | COVER PLATE                              | 76163    | STEEL    |
| 2         | COAMING ASSEMBLY                         | 76171    | STEEL    |
| 3         | DF-174 HATCH W/<br>DF-569-5 ULLAGE HATCH | 85316    | STEEL    |

| MODEL No. | PART No. | SIZE         | ØA         | B         | C       | ØD         | E         | F             | G         | ØH        | I         | WT. (Kg) |
|-----------|----------|--------------|------------|-----------|---------|------------|-----------|---------------|-----------|-----------|-----------|----------|
| DF-470    | 85308    | 1067x<br>610 | 1067<br>mm | 610<br>mm | 8<br>mm | 1099<br>mm | 992<br>mm | 565x337<br>mm | 127<br>mm | 235<br>mm | 127<br>mm | 245      |

1- AVAILABLE IN A VARIETY OF SIZES AND MATERIALS.

## EXPANSION TRUNK

**Nabrigo Products**  
[www.nabrigo-marine.com](http://www.nabrigo-marine.com)

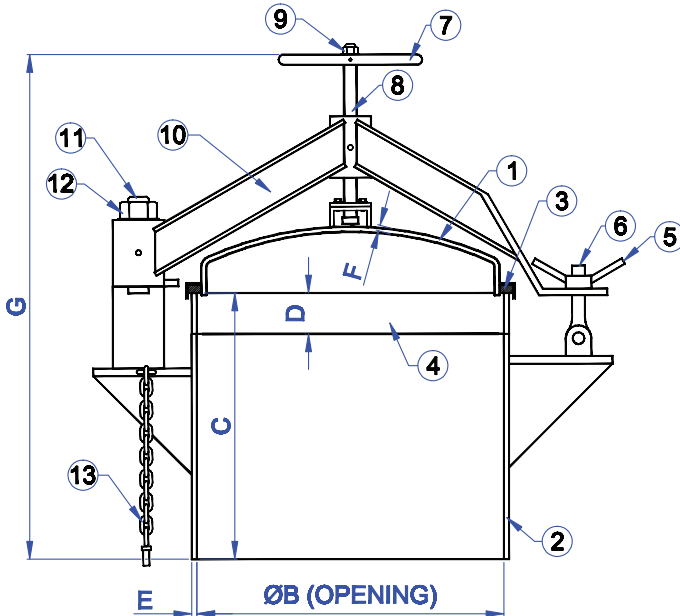
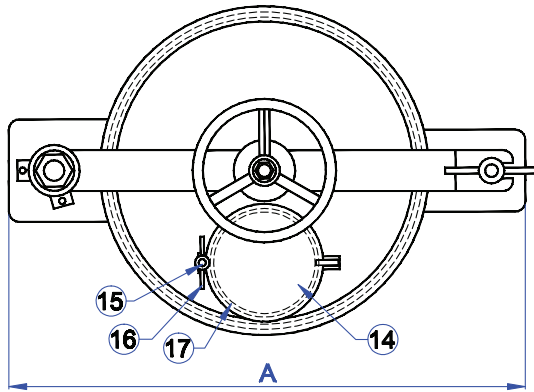
**155**

1250 Gateway Drive  
 Gallatin, Tennessee 37066  
 615-442-1300

The specifications and details described by drawings or text in this literature are subject to change without notice.



# NABRICO



| No. | DESCRIPTION                  | MATERIAL   |
|-----|------------------------------|------------|
| 1   | HATCH COVER ASSEMBLY         | STEEL      |
| 2   | COAMING ASSEMBLY             | STEEL      |
| 3   | HATCH GASKET                 | NEOPRENE   |
| 4   | UPPER COAMING RING           | STAINLESS  |
| 5   | WING NUT                     | BRASS      |
| 6   | DROP BOLT                    | STAINLESS  |
| 7   | HANDWHEEL ASSEMBLY           | STEEL      |
| 8   | CENTER SHAFT                 | STAINLESS  |
| 9   | HEX NUT                      | STAINLESS  |
| 10  | I-BEAM SWIVEL ARM            | STEEL      |
| 11  | HINGE PIN ASSEMBLY           | STAINLESS  |
| 12  | HEX NUT                      | STAINLESS  |
| 13  | KEEPER PIN & CHAIN           | GALVANIZED |
| 14  | 254 MM ULLAGE HATCH ASSEMBLY | STEEL      |
| 15  | ULLAGE HATCH DROP BOLT       | STAINLESS  |
| 16  | ULLAGE HATCH WING NUT        | BRASS      |
| 17  | ULLAGE HATCH GASKET          | NEOPRENE   |

The expansion dome is shown with a 254 mm ullage hatch installed in the hatch cover assembly. This add-on feature has the option to be Stainless Steel or removed entirely from the hatch assembly. Additional add-on features available are a Stainless Steel sight glass with cover, blind flange, or any custom sized ullage.

The dome is also equipped with a stainless steel coaming ring which can be left off or custom sized for specific needs.

| MODEL No.   | PART No. | SIZE    | A       | ØB      | C      | D      | E     | F     | G       | WT. (Kg) |
|-------------|----------|---------|---------|---------|--------|--------|-------|-------|---------|----------|
| DF-450-3026 | 21010    | 762 mm  | 1295 mm | 762 mm  | 660 mm | 102 mm | 13 mm | 13 mm | 1270 mm | 341      |
| DF-450-4224 | 21033    | 1067 mm | 1600 mm | 1067 mm | 610 mm | 102 mm | 13 mm | 13 mm | 1245 mm | 431      |

- 1- ADDITIONAL COAMING HEIGHTS AVAILABLE.
- 2- ADDITIONAL OPENING DIAMETERS AVAILABLE.
- 3- OTHER GASKET MATERIALS AVAILABLE.
- 4- AVAILABLE IN LEFT HAND AND RIGHT HAND MODELS.

## RAISED WATERTIGHT EXPANSION DOME

**Nabrico Products**  
[www.nabrico-marine.com](http://www.nabrico-marine.com)

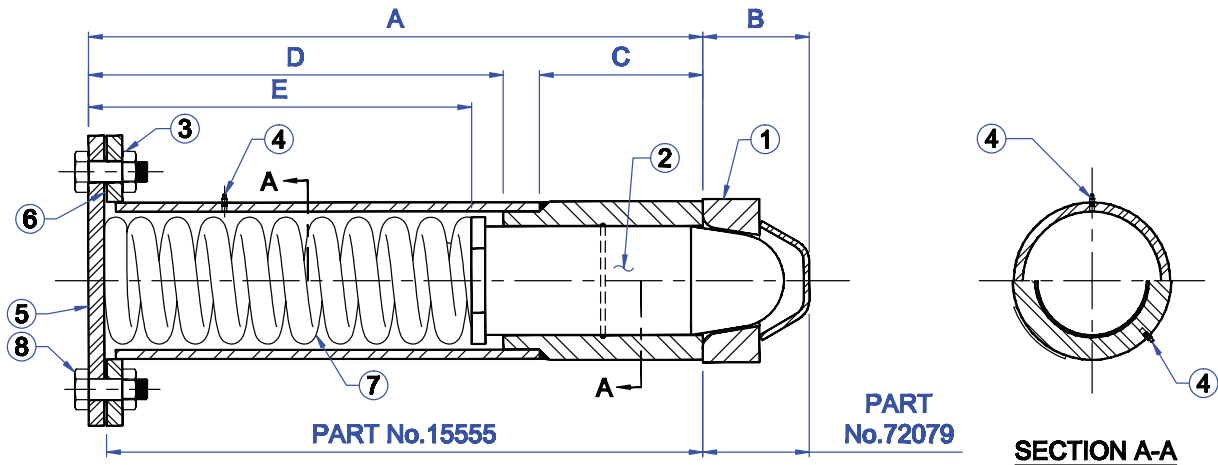
**156**

1250 Gateway Drive  
 Gallatin, Tennessee 37066  
 615-442-1300

The specifications and details described by drawings or text in this literature are subject to change without notice.



# NABRICO



| PIECE No. | DESCRIPTION                       | PART No. | MATERIAL        |
|-----------|-----------------------------------|----------|-----------------|
| 1         | LOCKING PIN SOCKET ASSEMBLY       | 72079    | STEEL           |
| 2         | LOCKING PIN ASSEMBLY              | 72109    | STEEL           |
| 3         | 29 MM DIA. HEAVY HEX NUT          | 15989    | STEEL           |
| 4         | GREASE FITTING                    | 9873     | STAINLESS STEEL |
| 5         | SPRING KEEPER PLATE               | 72176    | STEEL           |
| 6         | GASKET                            | 75140    | NEOPRENE        |
| 7         | INTERLOCKING SPRING               | 7064     | STEEL           |
| 8         | 29 MM DIA. X 83 MM HEAVY HEX BOLT | 72222    | STEEL           |

| MODEL No. | PART No. | A      | B      | C      | D      | E      | WT. (Kg) |
|-----------|----------|--------|--------|--------|--------|--------|----------|
| DF-134    | 15555    | 860 mm | 149 mm | 229 mm | 581 mm | 537 mm | 214      |

DF-134 - PIN ASSEMBLY #15555 AND SOCKET ASSEMBLY #72079 ARE ORDERED SEPARATELY

## INTERLOCKING PIN

**Nabrico Products**  
[www.nabrico-marine.com](http://www.nabrico-marine.com)

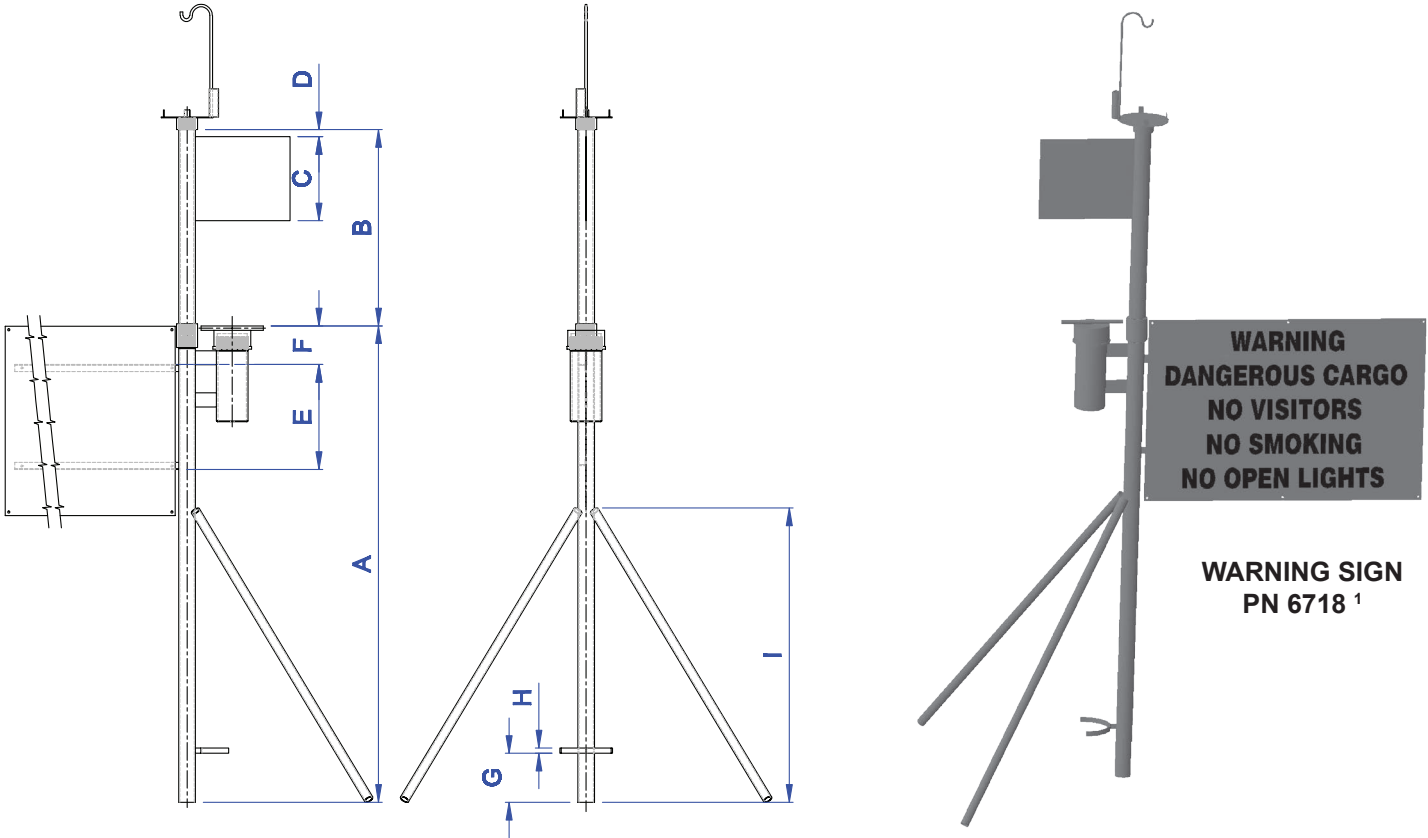
**157**

1250 Gateway Drive  
 Gallatin, Tennessee 37066  
 615-442-1300

The specifications and details described by drawings or text in this literature are subject to change without notice.



# NABRICO



| MODEL No. | PART No. | A       | B      | C      | D     | E      | F      | G      | H     | I       | WT. (Kg) |
|-----------|----------|---------|--------|--------|-------|--------|--------|--------|-------|---------|----------|
| DF-84     | 6785     | 1727 mm | 711 mm | 305 mm | 25 mm | 381 mm | 140 mm | 178 mm | 19 mm | 1067 mm | 46       |

1- WARNING SIGN PN 6718 PURCHASED SEPARATELY FROM FLAG POLE.

## FLAG POLE

**Nabrico Products**  
[www.nabrico-marine.com](http://www.nabrico-marine.com)

**158**

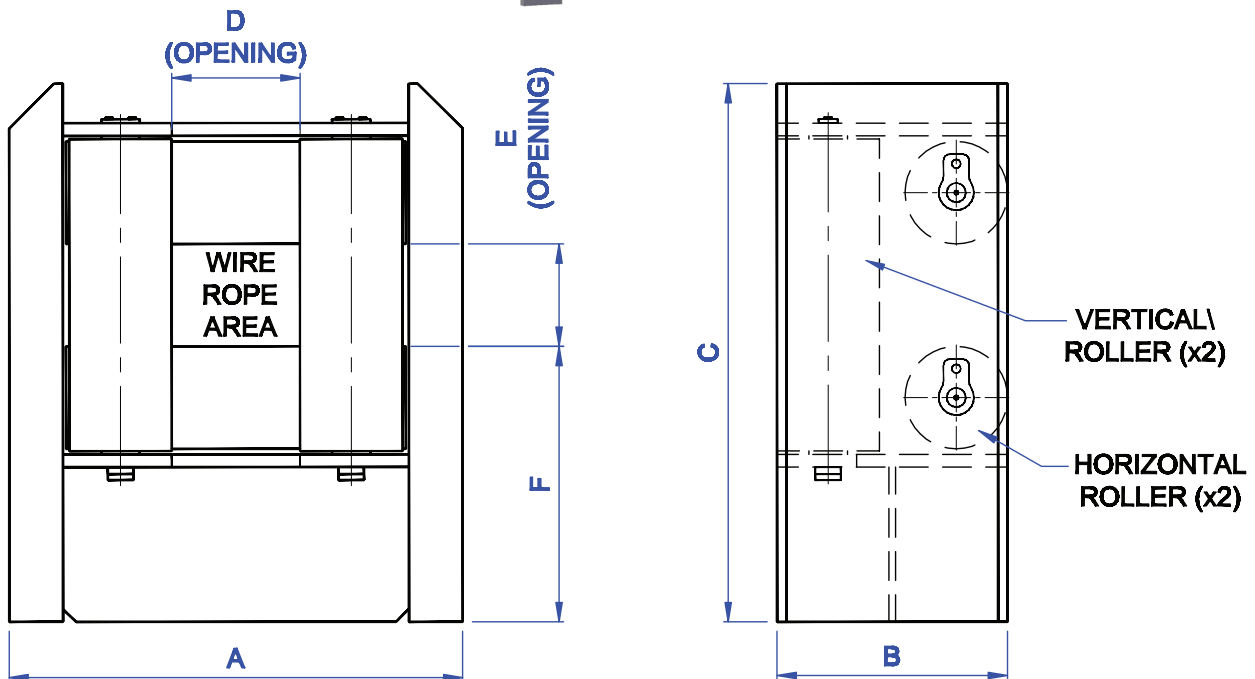
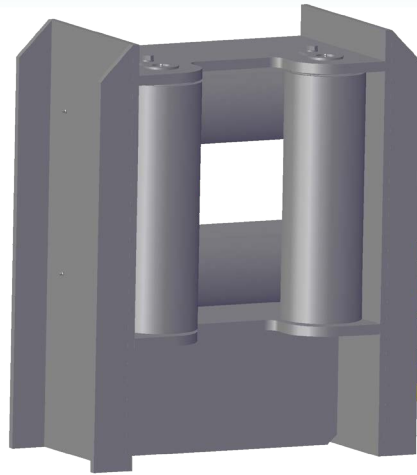
1250 Gateway Drive  
 Gallatin, Tennessee 37066  
 615-442-1300

The specifications and details described by drawings or text in this literature are subject to change without notice.





# NABRICO



| MODEL No. | PART No. | SIZE      | A      | B      | C       | D      | E      | F      | WT. (Kg) |
|-----------|----------|-----------|--------|--------|---------|--------|--------|--------|----------|
| DF-462    | 84644    | 254 x 203 | 899 mm | 457 mm | 1067 mm | 254 mm | 203 mm | 546 mm | 840      |
| DF-462    | 84640    | 305 x 305 | 940 mm | 457 mm | 1168 mm | 305 mm | 305 mm | 546 mm | 862      |

## FAIRLEAD ROLLER

**Nabrico Products**  
[www.nabrico-marine.com](http://www.nabrico-marine.com)

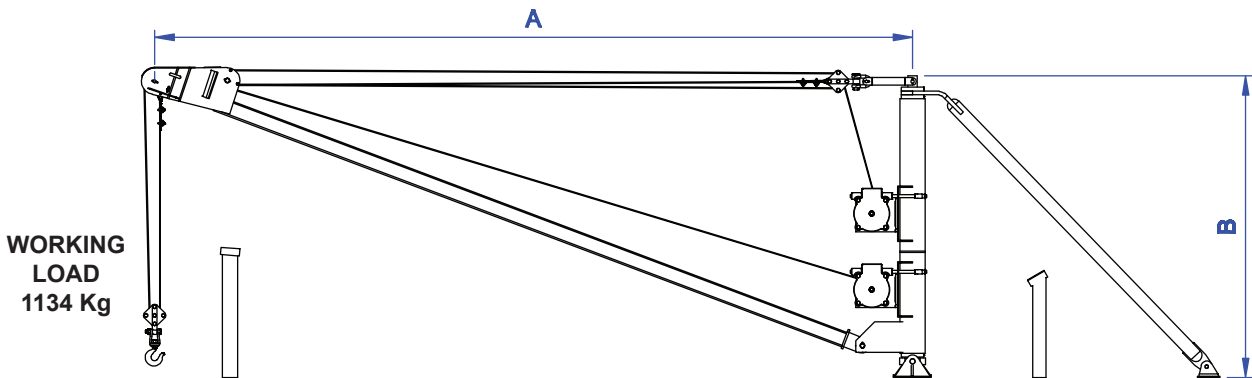
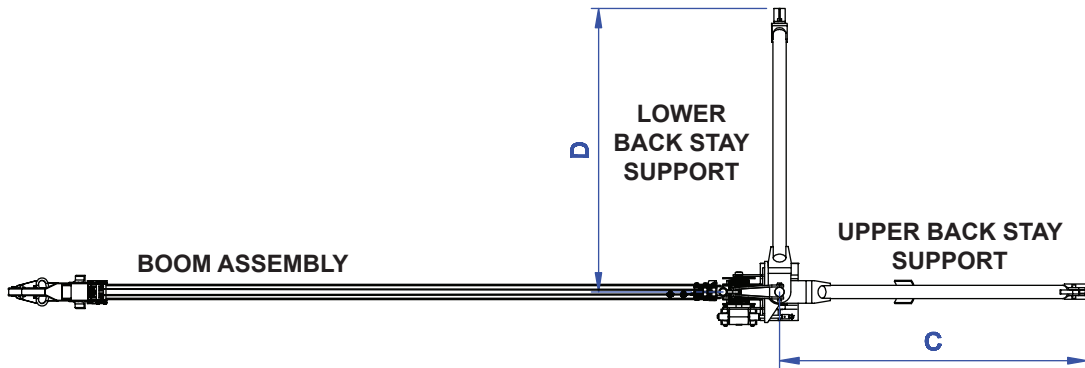
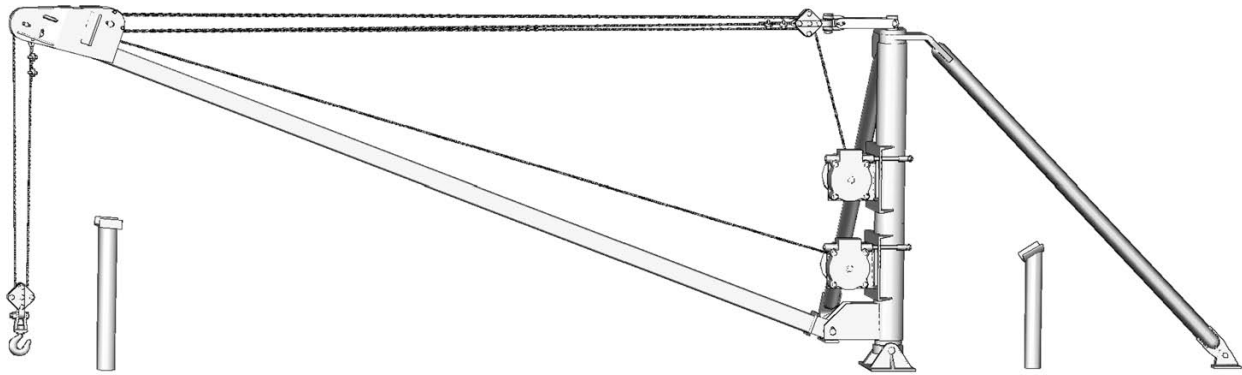
**159**

1250 Gateway Drive  
 Gallatin, Tennessee 37066  
 615-442-1300

The specifications and details described by drawings or text in this literature are subject to change without notice.



# NABRICO



| MODEL No. | PART No. | A                           | B       | C       | D       | WT. (Kg) |
|-----------|----------|-----------------------------|---------|---------|---------|----------|
| DF-126    | 79650    | 5055 mm (MAX) 1676 mm (MIN) | 2015 mm | 2051 mm | 1892 mm | 499      |

## DF-126 BARGE CRANE

**Nabrico Products**  
[www.nabrico-marine.com](http://www.nabrico-marine.com)

**160**

1250 Gateway Drive  
 Gallatin, Tennessee 37066  
 615-442-1300

The specifications and details described by drawings or text in this literature are subject to change without notice.



# NABRICO



## FEATURES

- 1134 kilogram non-shock lifting capacity at maximum radius of 5 m-178 mm. The barge crane operates equally as well at 2 m-152 mm minimum radius.
- 270 degree swing capacity resulting in maximum flexibility for lifting and positioning equipment.
- One man boom operation leaving other personnel free to position and secure load. Reduces time required for such tasks as hose connecting, removing pumping equipment for repairs and loading oil drums or miscellaneous equipment.
- Low silhouette. By removing backleg pins, the crane king post folds down to a height of 1 m-254 mm to minimize low bridge problems.
- Quality tested to 150% of non-shock working load.

## DF-126 BARGE CRANE

**Nabrico Products**  
[www.nabrico-marine.com](http://www.nabrico-marine.com)

**161**

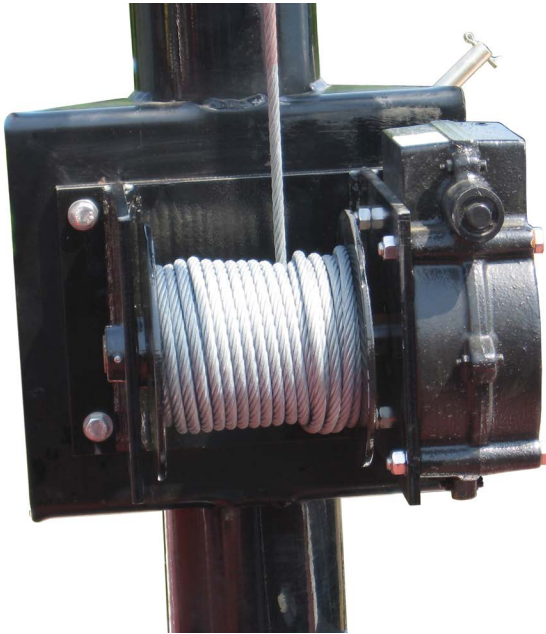
1250 Gateway Drive  
Gallatin, Tennessee 37066  
615-442-1300

The specifications and details described by drawings or text in this literature are subject to change without notice.





# NABRICO



## SPECIFICATIONS

Boom and king post assembly  
 Plate.....ASTM A36  
 Square Tubing.....ASTM A36  
 Sheaves.....Cast Iron  
 Bushings.....Bronze  
 Pins.....304SS  
 Pipe.....ASTM A53

## WINCHES

- Hand operated with adjustable handle.
- 31:1 gear ratio for winching.
- Self-locking worm gear eliminating the need for a locking dog or brake.
- Enclosed gearbox to provide continuous gear lubrication.

## DF-126 BARGE CRANE

**Nabrico Products**  
[www.nabrico-marine.com](http://www.nabrico-marine.com)

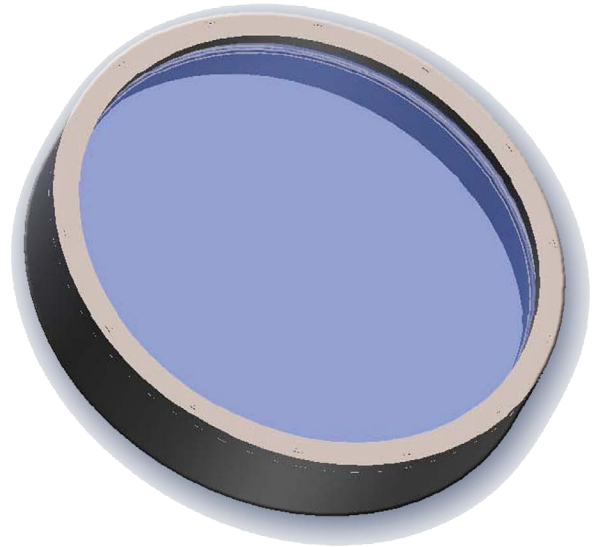
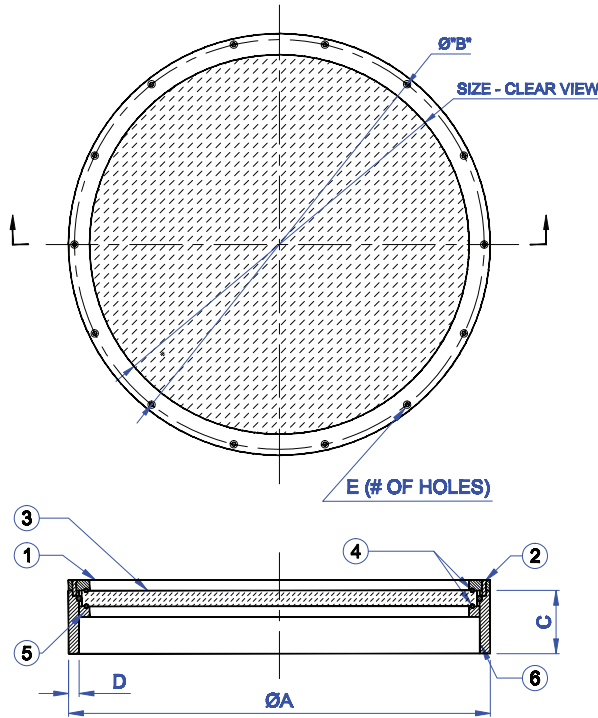
**162**

1250 Gateway Drive  
 Gallatin, Tennessee 37066  
 615-442-1300





# NABRICO



| PIECE No. | DESCRIPTION    | BRASS LIGHT | STEEL LIGHT | ALUMINUM LIGHT |
|-----------|----------------|-------------|-------------|----------------|
| 1         | RETAINING RING | BRASS       | BRASS       | ALUMINUM       |
| 2         | SCREW          |             | STAINLESS   |                |
| 3         | GLASS          |             | GLASS       |                |
| 4         | GASKET         |             | NEOPRENE    |                |
| 5         | GLASS TOP      | BRASS       | STEEL       | ALUMINUM       |
| 6         | COAMING        | BRASS       | STEEL       | ALUMINUM       |

| MODEL No. | SIZE   | ØA     | ØB     | C     | B     | E  | WT. (Kg) |
|-----------|--------|--------|--------|-------|-------|----|----------|
| 400       | 203 mm | 254 mm | 240 mm | 76 mm | 13 mm | 10 | 11       |
| 400       | 254 mm | 305 mm | 291 mm | 76 mm | 13 mm | 10 | 14       |
| 400       | 305 mm | 356 mm | 341 mm | 76 mm | 13 mm | 12 | 17       |
| 400       | 356 mm | 406 mm | 392 mm | 76 mm | 13 mm | 12 | 20       |
| 400       | 406 mm | 457 mm | 443 mm | 76 mm | 13 mm | 12 | 24       |
| 400       | 457 mm | 508 mm | 494 mm | 76 mm | 13 mm | 14 | 28       |

## WELD IN FIXED LIGHT

**Nabrico Products**  
[www.nabrico-marine.com](http://www.nabrico-marine.com)

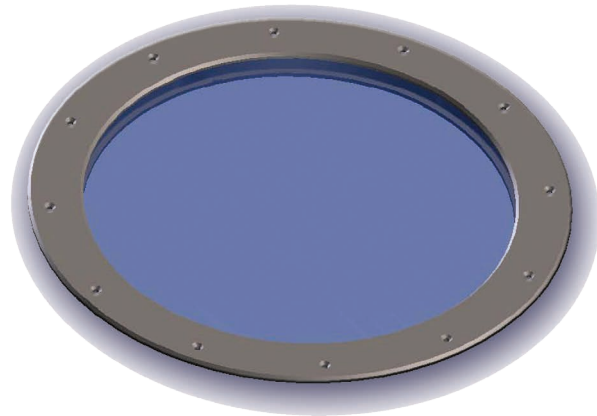
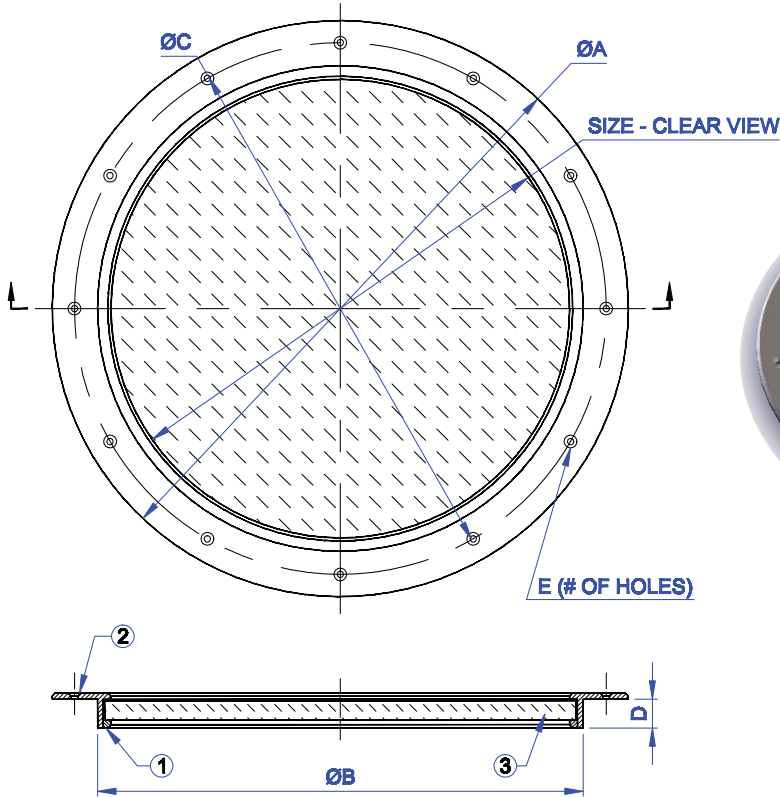
**163**

1250 Gateway Drive  
 Gallatin, Tennessee 37066  
 615-442-1300

The specifications and details described by drawings or text in this literature are subject to change without notice.



# NABRICO



| PIECE No. | DESCRIPTION    | BRASS LIGHT | STEEL LIGHT | ALUMINUM LIGHT |
|-----------|----------------|-------------|-------------|----------------|
| 1         | FRAME          | BRASS       | STEEL       | ALUMINUM       |
| 2         | RETAINING RING | BRASS       | BRASS       | ALUMINUM       |
| 3         | GLASS          | GLASS       |             |                |

| MODEL No. | SIZE   | ØA     | ØB     | ØC     | D     | E  | WT. (Kg) |
|-----------|--------|--------|--------|--------|-------|----|----------|
| 500       | 102 mm | 168 mm | 122 mm | 149 mm | 17 mm | 6  | 2        |
| 500       | 152 mm | 216 mm | 173 mm | 191 mm | 21 mm | 6  | 3        |
| 500       | 178 mm | 248 mm | 198 mm | 225 mm | 21 mm | 6  | 3        |
| 500       | 203 mm | 279 mm | 230 mm | 264 mm | 22 mm | 8  | 4        |
| 500       | 254 mm | 337 mm | 281 mm | 311 mm | 25 mm | 8  | 6        |
| 500       | 305 mm | 387 mm | 332 mm | 362 mm | 29 mm | 12 | 8        |
| 500       | 356 mm | 464 mm | 383 mm | 432 mm | 29 mm | 12 | 11       |
| 500       | 406 mm | 524 mm | 433 mm | 479 mm | 29 mm | 12 | 14       |
| 500       | 457 mm | 575 mm | 484 mm | 530 mm | 29 mm | 12 | 16       |

## BOLT-ON FIXED LIGHT

**Nabrico Products**  
[www.nabrico-marine.com](http://www.nabrico-marine.com)

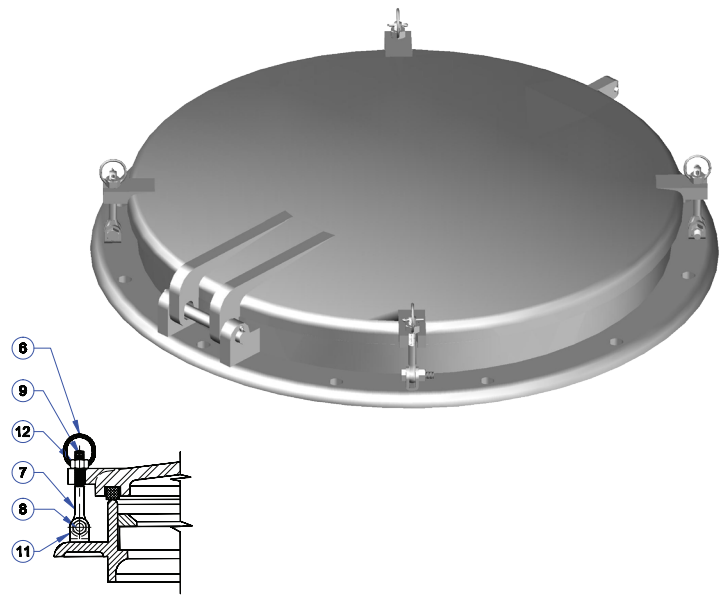
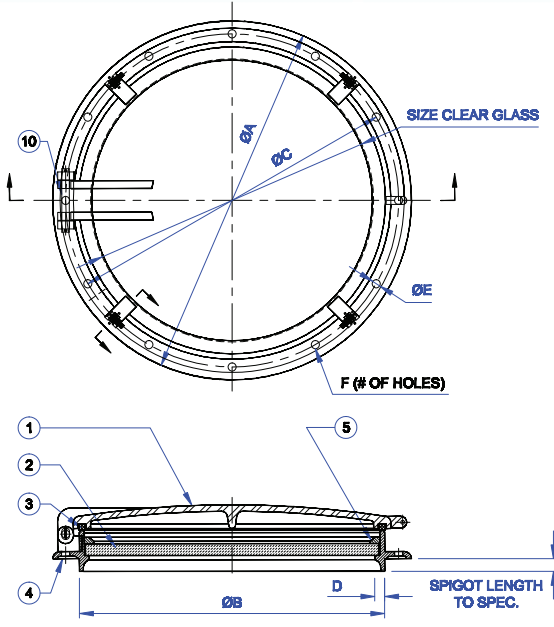
**164**

1250 Gateway Drive  
 Gallatin, Tennessee 37066  
 615-442-1300

The specifications and details described by drawings or text in this literature are subject to change without notice.



# NABRICO



| PIECE No. | DESCRIPTION    | BRASS LIGHT | STEEL LIGHT | ALUMINUM LIGHT |
|-----------|----------------|-------------|-------------|----------------|
| 1         | COVER          |             | ALUMINUM    |                |
| 2         | GLASS          |             | GLASS       |                |
| 3         | GASKET         |             | NEOPRENE    |                |
| 4         | FRAME          | BRASS       | STEEL       | ALUMINUM       |
| 5         | RETAINING RING | BRASS       | STEEL       | ALUMINUM       |
| 6         | BELL NUT       |             | BRASS       |                |
| 7         | DROP BOLT      | BRASS       | STEEL       | ALUMINUM       |
| 8         | BOLT           |             | STAINLESS   |                |
| 9         | COTTER PIN     |             | STAINLESS   |                |
| 10        | HINGE PIN      |             | STAINLESS   |                |
| 11        | DROP BOLT LUG  |             | STAINLESS   |                |
| 12        | HEX NUT        |             | STAINLESS   |                |

| MODEL No. | SIZE   | ØA     | ØB     | ØC     | D     | ØE    | F  | WT. (Kg) |
|-----------|--------|--------|--------|--------|-------|-------|----|----------|
| 600       | 203 mm | 289 mm | 229 mm | 260 mm | 16 mm | 10 mm | 8  | 12       |
| 600       | 254 mm | 346 mm | 279 mm | 314 mm | 16 mm | 13 mm | 8  | 15       |
| 600       | 305 mm | 403 mm | 333 mm | 371 mm | 16 mm | 13 mm | 12 | 19       |
| 600       | 356 mm | 479 mm | 387 mm | 422 mm | 16 mm | 13 mm | 12 | 22       |
| 600       | 406 mm | 524 mm | 438 mm | 479 mm | 16 mm | 13 mm | 12 | 26       |
| 600       | 457 mm | 575 mm | 489 mm | 533 mm | 16 mm | 13 mm | 12 | 31       |

## BOLT-ON FIXED LIGHT W/ COVER

**Nabrico Products**  
[www.nabrico-marine.com](http://www.nabrico-marine.com)

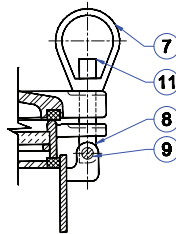
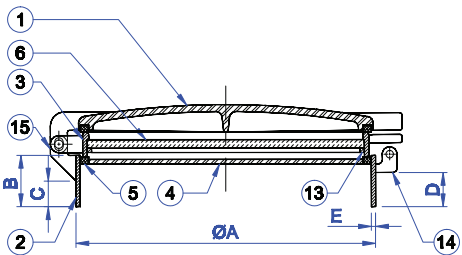
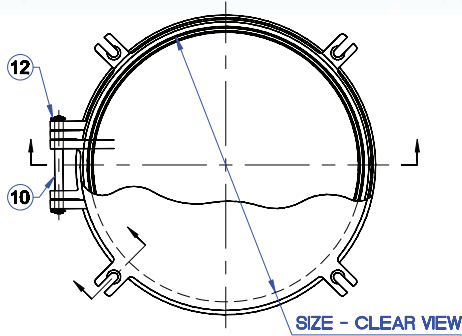
**165**

1250 Gateway Drive  
 Gallatin, Tennessee 37066  
 615-442-1300

The specifications and details described by drawings or text in this literature are subject to change without notice.



# NABRICO



| PIECE No. | DESCRIPTION      | BRASS LIGHT | STEEL LIGHT | ALUMINUM LIGHT |
|-----------|------------------|-------------|-------------|----------------|
| 1         | COVER            | ALUMINUM    |             |                |
| 2         | SPIGOT FRAME     | BRASS       | STEEL       | ALUMINUM       |
| 3         | GLASS FRAME      | BRASS       | STEEL       | ALUMINUM       |
| 4         | REMOVABLE SCREEN | BRASS       |             |                |
| 5         | GASKET           | NEOPRENE    |             |                |
| 6         | GLASS            | GLASS       |             |                |
| 7         | BELL NUT         | BRASS       |             |                |
| 8         | SCREW            | STAINLESS   |             |                |
| 9         | GROOVE PIN       | STAINLESS   |             |                |
| 10        | HINGE PIN        | STAINLESS   |             |                |
| 11        | DROP BOLT        | STAINLESS   |             |                |
| 12        | COTTER PIN       | STAINLESS   |             |                |
| 13        | RETAINING RING   | BRASS       | BRASS       | ALUMINUM       |
| 14        | DROP BOLT LUG    | BRASS       | STEEL       | ALUMINUM       |
| 15        | HINGE PAD        | BRASS       | STEEL       | ALUMINUM       |

| MODEL No. | SIZE   | ØA     | B     | C     | D     | E    | WT. (Kg) |
|-----------|--------|--------|-------|-------|-------|------|----------|
| 700       | 203 mm | 241 mm | 76 mm | 38 mm | 51 mm | 6 mm | 13       |
| 700       | 254 mm | 292 mm | 76 mm | 38 mm | 51 mm | 6 mm | 16       |
| 700       | 305 mm | 343 mm | 76 mm | 38 mm | 51 mm | 6 mm | 20       |
| 700       | 356 mm | 394 mm | 76 mm | 38 mm | 51 mm | 6 mm | 25       |
| 700       | 406 mm | 445 mm | 76 mm | 38 mm | 51 mm | 6 mm | 29       |
| 700       | 457 mm | 495 mm | 76 mm | 38 mm | 51 mm | 6 mm | 34       |

## WELD IN PORTLIGHT

**Nabrico Products**  
[www.nabrico-marine.com](http://www.nabrico-marine.com)

**166**

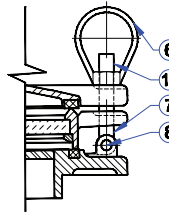
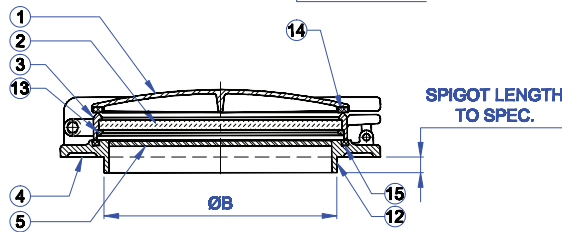
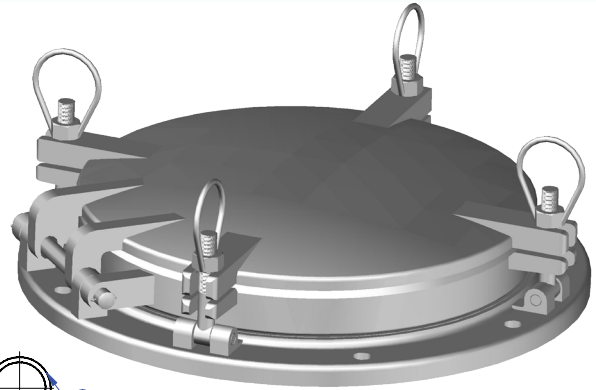
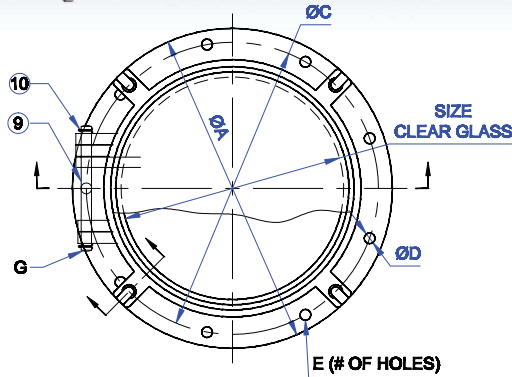
1250 Gateway Drive  
 Gallatin, Tennessee 37066  
 615-442-1300

The specifications and details described by drawings or text in this literature are subject to change without notice.





# NABRICO



| PIECE No. | DESCRIPTION  | BRASS LIGHT | STEEL LIGHT | ALUMINUM LIGHT |
|-----------|--------------|-------------|-------------|----------------|
| 1         | COVER        |             | ALUMINUM    |                |
| 2         | GLASS        |             | GLASS       |                |
| 3         | GLASS FRAME  | BRASS       | STEEL       | ALUMINUM       |
| 4         | SPIGOT FRAME | BRASS       | STEEL       | ALUMINUM       |
| 5         | WIRE SCREEN  |             | BRASS       |                |
| 6         | BELL NUT     | BRASS       | STEEL       | ALUMINUM       |
| 7         | SCREW        | BRASS       | STEEL       | ALUMINUM       |
| 8         | ROLL PIN     |             | STAINLESS   |                |
| 9         | HINGE PIN    |             | STAINLESS   |                |
| 10        | COTTER PIN   |             | STAINLESS   |                |
| 11        | DROP BOLT    | BRASS       | STEEL       | STAINLESS      |
| 12        | SCREEN FRAME | BRASS       | STAINLESS   | STAINLESS      |
| 13        | BEZEL RING   | BRASS       | STEEL       | ALUMINUM       |
| 14        | GASKET       |             | NEOPRENE    |                |
| 15        | GASKET       |             | NEOPRENE    |                |

| MODEL No. | SIZE   | ØA     | ØB     | ØC     | ØD    | E  | WT. (Kg) |
|-----------|--------|--------|--------|--------|-------|----|----------|
| 800       | 203 mm | 292 mm | 213 mm | 267 mm | 10 mm | 9  | 9        |
| 800       | 254 mm | 362 mm | 264 mm | 324 mm | 13 mm | 12 | 11       |
| 800       | 305 mm | 406 mm | 314 mm | 375 mm | 13 mm | 12 | 15       |
| 800       | 356 mm | 457 mm | 365 mm | 432 mm | 13 mm | 12 | 18       |
| 800       | 406 mm | 518 mm | 419 mm | 479 mm | 13 mm | 12 | 21       |
| 800       | 457 mm | 578 mm | 470 mm | 537 mm | 13 mm | 12 | 24       |

## BOLT ON PORTLIGHT

**Nabrico Products**  
[www.nabrico-marine.com](http://www.nabrico-marine.com)

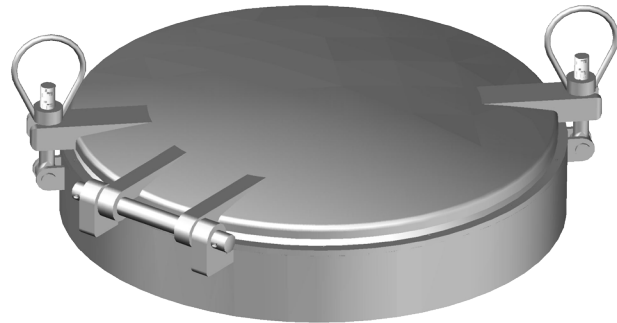
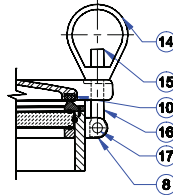
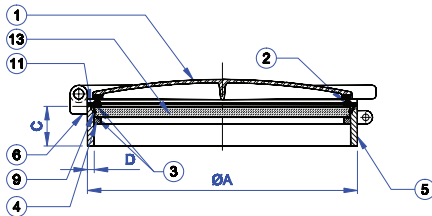
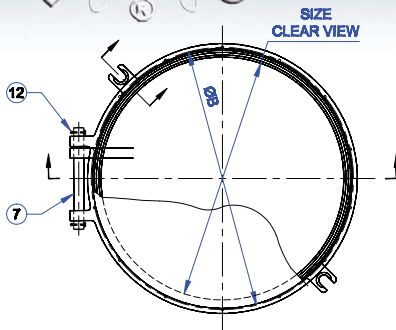
**167**

1250 Gateway Drive  
 Gallatin, Tennessee 37066  
 615-442-1300

The specifications and details described by drawings or text in this literature are subject to change without notice.



# NABRICO



| PIECE No. | DESCRIPTION    | BRASS LIGHT | STEEL LIGHT | ALUMINUM LIGHT |
|-----------|----------------|-------------|-------------|----------------|
| 1         | COVER          | ALUMINUM    |             |                |
| 2         | RETAINING RING | BRASS       |             |                |
| 3         | GASKET         | NEOPRENE    |             |                |
| 4         | GLASS TOP      | BRASS       | STEEL       | ALUMINUM       |
| 5         | COAMING        | BRASS       | STEEL       | ALUMINUM       |
| 6         | HINGE PAD      | BRASS       | STEEL       | ALUMINUM       |
| 7         | HINGE PIN      | STAINLESS   |             |                |
| 8         | DROP BOLT LUG  | STEEL       |             |                |
| 9         | GASKET         | NEOPRENE    |             |                |
| 10        | GASKET         | NEOPRENE    |             |                |
| 11        | SCREW          | STAINLESS   |             |                |
| 12        | COTTER PIN     | STAINLESS   |             |                |
| 13        | GLASS          | GLASS       |             |                |
| 14        | BELL NUT       | BRASS       |             |                |
| 15        | DROP BOLT      | STAINLESS   |             |                |
| 16        | SCREW          | STAINLESS   |             |                |
| 17        | GROOVE PIN     | STAINLESS   |             |                |

| MODEL No. | SIZE   | ØA     | ØB     | C     | D     | WT. (Kg) |
|-----------|--------|--------|--------|-------|-------|----------|
| 900       | 203 mm | 254 mm | 240 mm | 76 mm | 13 mm | 13       |
| 900       | 254 mm | 305 mm | 291 mm | 76 mm | 13 mm | 16       |
| 900       | 305 mm | 356 mm | 341 mm | 76 mm | 13 mm | 20       |
| 900       | 356 mm | 406 mm | 392 mm | 76 mm | 13 mm | 24       |
| 900       | 406 mm | 457 mm | 443 mm | 76 mm | 13 mm | 27       |
| 900       | 457 mm | 508 mm | 494 mm | 76 mm | 13 mm | 31       |

## WELD – IN FIXED LIGHT W/ COVER

**Nabrico Products**  
[www.nabrico-marine.com](http://www.nabrico-marine.com)

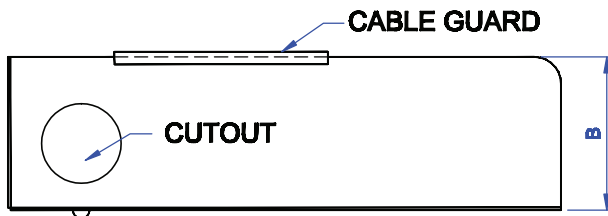
**168**

1250 Gateway Drive  
 Gallatin, Tennessee 37066  
 615-442-1300

The specifications and details described by drawings or text in this literature are subject to change without notice.

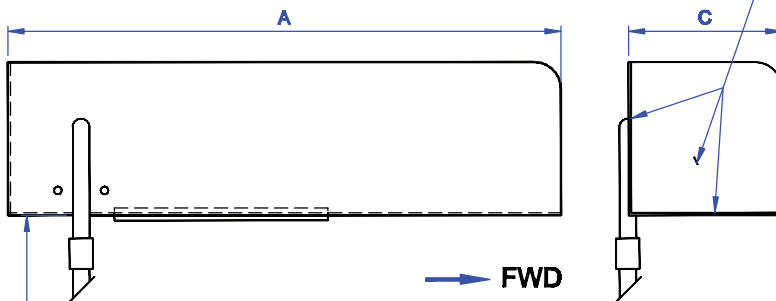


# NABRICO



**PLAN VIEW**

THESE SURFACES TO BE PAINTED BLACK



FWD

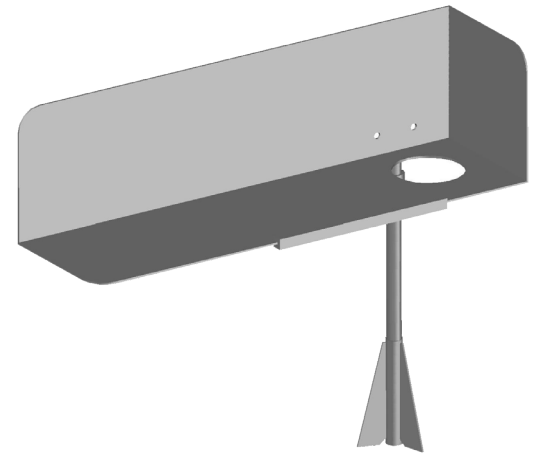
DECK SOCKET PART NO. 6742

**ELEVATION LOOKING AFT**

**ELEVATION LOOKING OUTBOARD**

(PORT LIGHT SCREEN SHOWN PART NO. 17671)

(STB'D LIGHT SCREEN OPPOSITE PART NO. 6416)



NOTE: THIS SCREEN IS SIZED FOR PERKO FIG. 1150 SIZE 2 NAVIGATION LIGHT

| PART No. | DESCRIPTION       | WT. (Kg) |
|----------|-------------------|----------|
| 17671    | PORT LIGHT STAND  | 28       |
| 6416     | STB'D LIGHT STAND | 28       |
| 6742     | DECK SOCKET       | 2        |

| DIMENSIONS |        |        |         |
|------------|--------|--------|---------|
| A          | B      | C      | D       |
| 1054 mm    | 292 mm | 292 mm | 1422 mm |

## RUNNING LIGHT STAND

**Nabrico Products**  
[www.nabrico-marine.com](http://www.nabrico-marine.com)

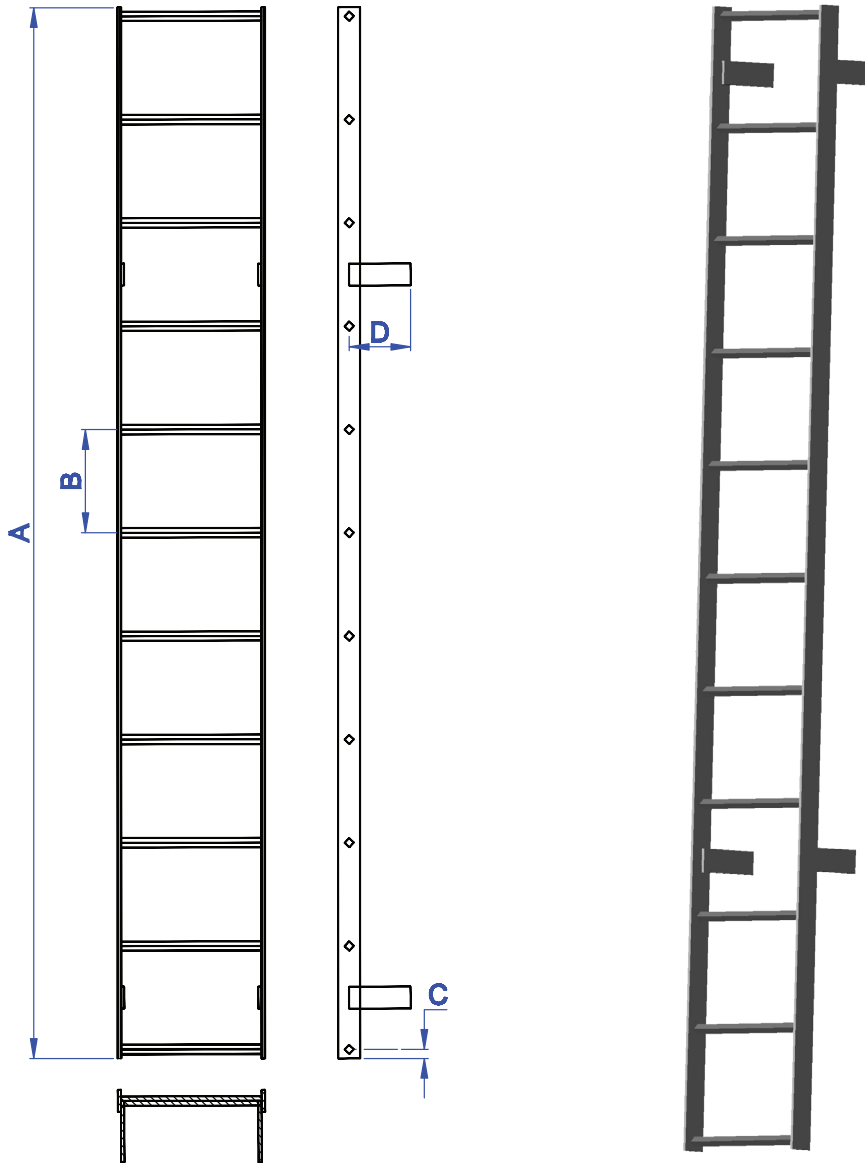
**169**

1250 Gateway Drive  
 Gallatin, Tennessee 37066  
 615-442-1300

The specifications and details described by drawings or text in this literature are subject to change without notice.



# NABRICO



| MODEL No. | PART No. | A   | B      | C     | D      | WT. (Kg) |
|-----------|----------|-----|--------|-------|--------|----------|
| DF-954    | 39000    | 4 m | 298 mm | 25 mm | 178 mm | 45       |

## LADDER

**Nabrico Products**  
[www.nabrico-marine.com](http://www.nabrico-marine.com)

**170**

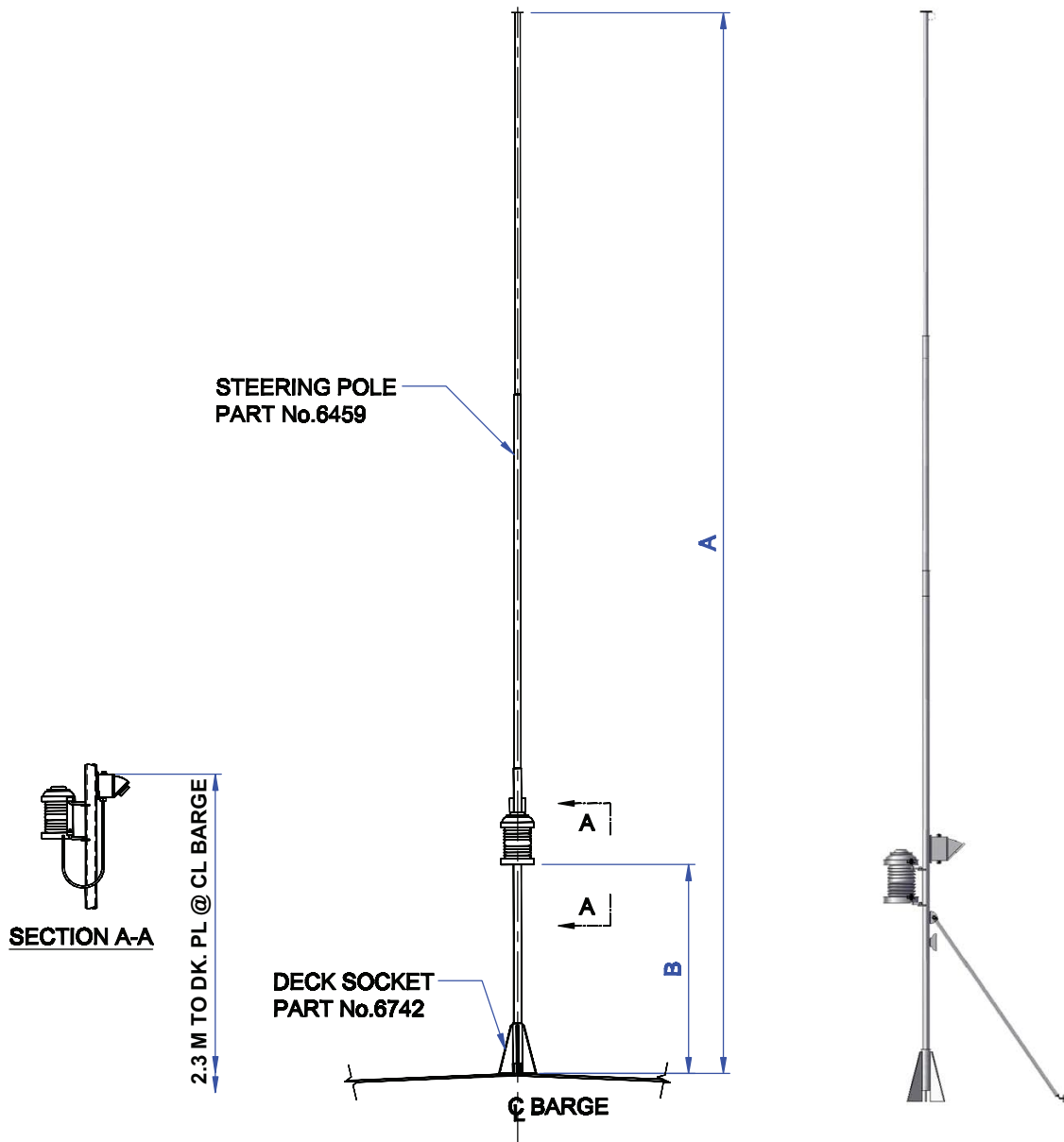
1250 Gateway Drive  
 Gallatin, Tennessee 37066  
 615-442-1300

The specifications and details described by drawings or text in this literature are subject to change without notice.





# NABRICO



| MODEL No. | MATERIAL | PART No. | A   | B          | WT. (Kg) |
|-----------|----------|----------|-----|------------|----------|
| DF-169    | STEEL    | 79979    | 8 m | 1 m-102 mm | 23       |

## STEERING POLE

**Nabrico Products**  
[www.nabrico-marine.com](http://www.nabrico-marine.com)

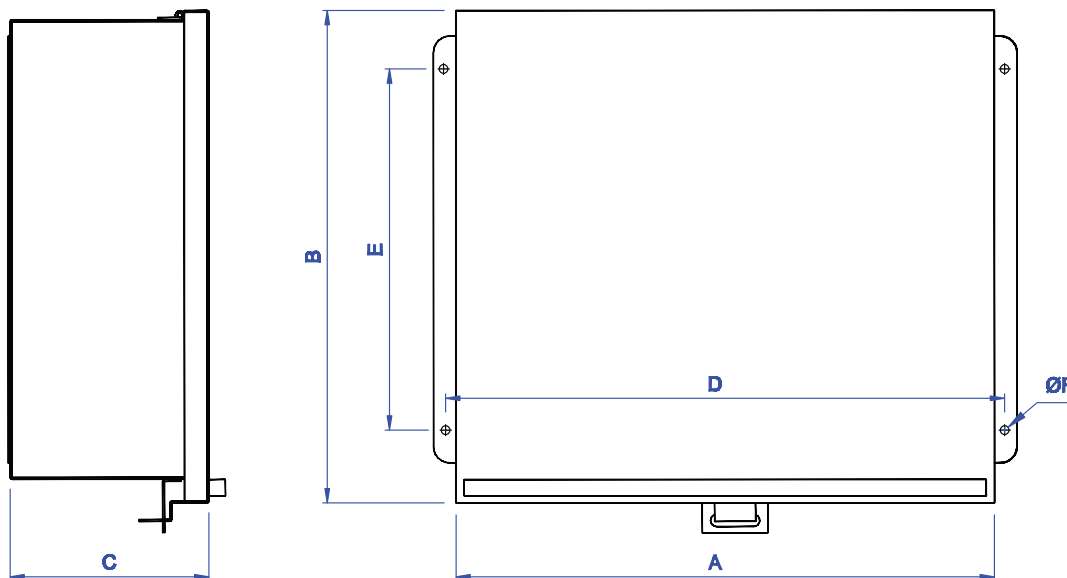
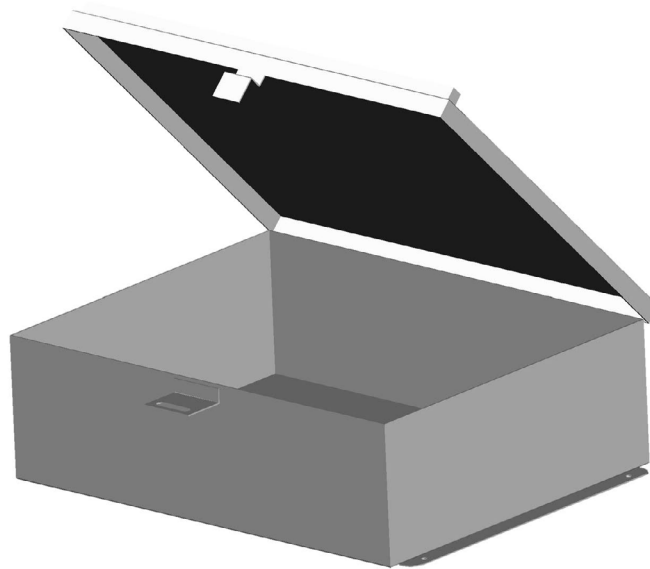
**171**

1250 Gateway Drive  
 Gallatin, Tennessee 37066  
 615-442-1300

The specifications and details described by drawings or text in this literature are subject to change without notice.



# NABRICO



| MODEL No. | PART No. | A      | B      | C      | D      | E      | ØF   | WT. (Kg) |
|-----------|----------|--------|--------|--------|--------|--------|------|----------|
| DF-555    | 95001    | 432 mm | 381 mm | 156 mm | 448 mm | 279 mm | 6 mm | 9        |

## STAINLESS STEEL DOCUMENT BOX/DESK

**Nabrico Products**  
[www.nabrico-marine.com](http://www.nabrico-marine.com)

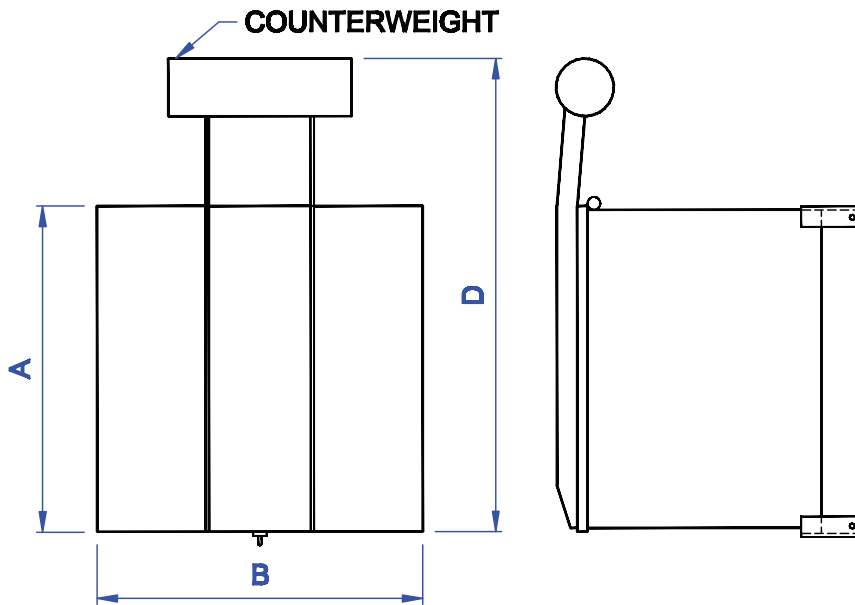
**172**

1250 Gateway Drive  
 Gallatin, Tennessee 37066  
 615-442-1300

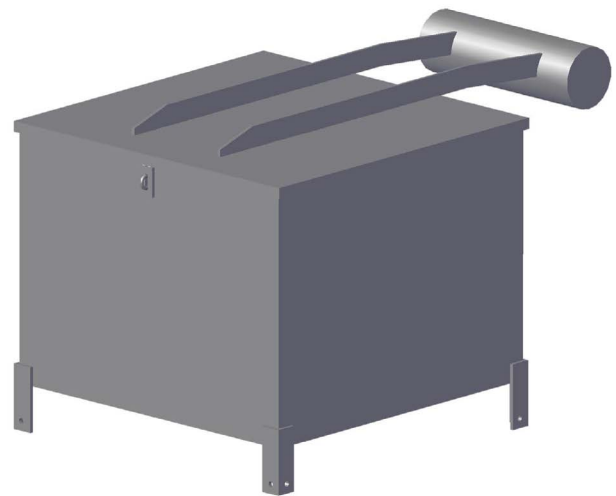
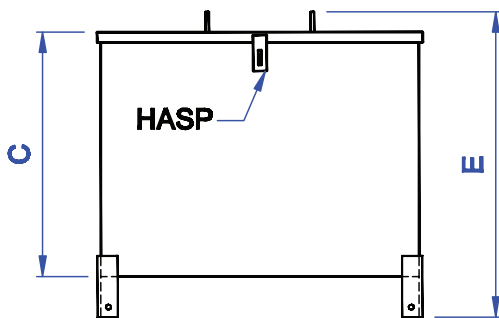
The specifications and details described by drawings or text in this literature are subject to change without notice.



# NABRICO



PLAN VIEW



| MODEL No. | PART No. | A       | B       | C      | D       | E       | WT. (Kg) |
|-----------|----------|---------|---------|--------|---------|---------|----------|
| DF-522    | 30134    | 1219 mm | 1219 mm | 914 mm | 1772 mm | 1143 mm | 200      |

## DRY BOX

**Nabrico Products**  
[www.nabrico-marine.com](http://www.nabrico-marine.com)

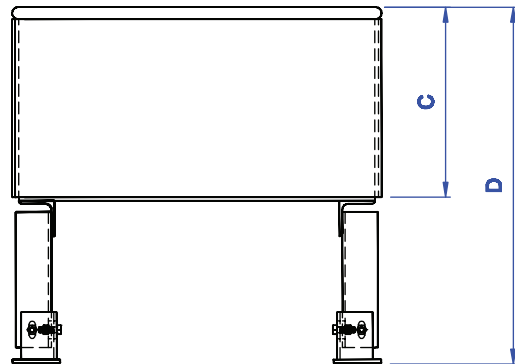
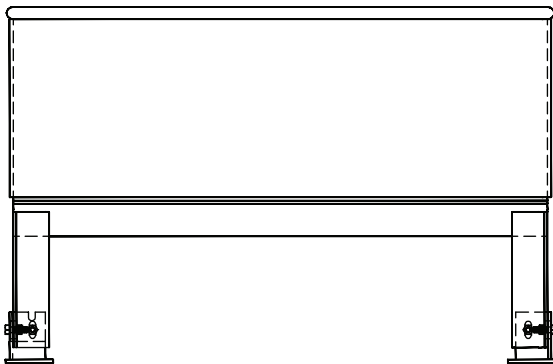
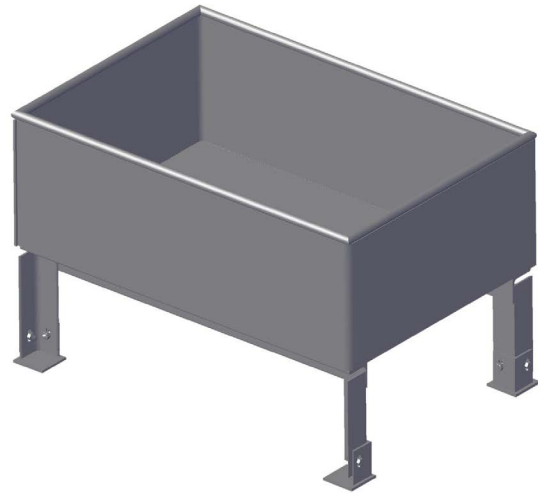
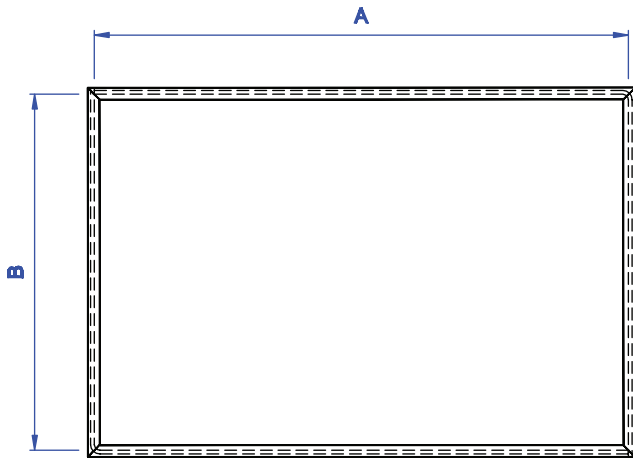
**173**

1250 Gateway Drive  
 Gallatin, Tennessee 37066  
 615-442-1300

The specifications and details described by drawings or text in this literature are subject to change without notice.



# NABRICO



| MODEL NO. | PART NO. | SIZE     | A       | B       | C      | D      | WT (Kg) |
|-----------|----------|----------|---------|---------|--------|--------|---------|
| DF-465-2  | 93475    | 2 BARREL | 762 mm  | 1143 mm | 406 mm | 762 mm | 208     |
| DF-465-3  | 93483    | 3 BARREL | 1105 mm | 1143 mm | 406 mm | 762 mm | 245     |
| DF-465-4  | 93491    | 4 BARREL | 1448 mm | 1143 mm | 406 mm | 762 mm | 311     |
| DF-465-5  | 93505    | 5 BARREL | 1791 mm | 1143 mm | 406 mm | 762 mm | 362     |
| DF-465-6  | 93513    | 6 BARREL | 2134 mm | 1143 mm | 406 mm | 762 mm | 415     |

## DRIP PANS

**Nabrico Products**  
[www.nabrico-marine.com](http://www.nabrico-marine.com)

**174**

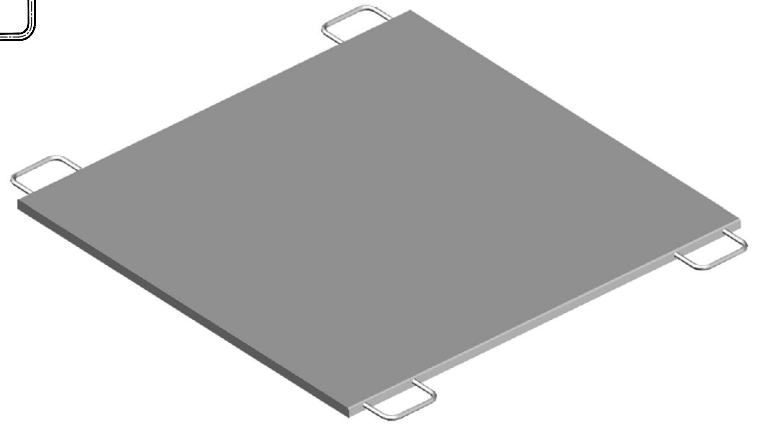
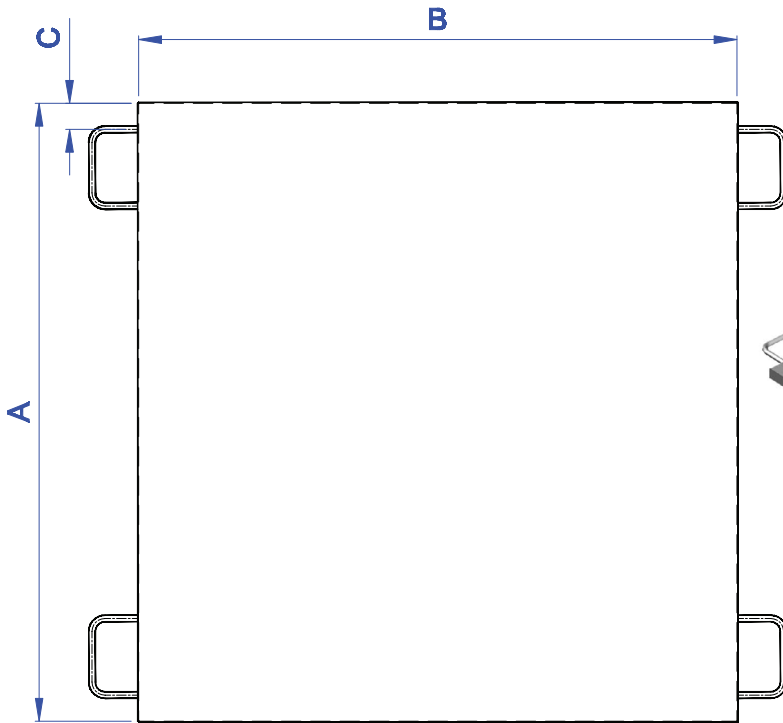
1250 Gateway Drive  
 Gallatin, Tennessee 37066  
 615-442-1300

The specifications and details described by drawings or text in this literature are subject to change without notice.





# NABRICO



| MODEL NO. | PART NO. | SIZE     | A       | B       | C     | WT (Kg) |
|-----------|----------|----------|---------|---------|-------|---------|
| DF-465-2  | 30115    | 2 BARREL | 860 mm  | 1165 mm | 51 mm | 30      |
| DF-465-3  | 90342    | 3 BARREL | 1203 mm | 1165 mm | 51 mm | 39      |
| DF-465-4  | 90361    | 4 BARREL | 1546 mm | 1165 mm | 51 mm | 48      |
| DF-465-5  | 90371    | 5 BARREL | 1889 mm | 1165 mm | 51 mm | 57      |
| DF-465-6  | 90350    | 6 BARREL | 2232 mm | 1165 mm | 51 mm | 64      |

## DRIP PAN COVERS

**Nabrico Products**  
[www.nabrico-marine.com](http://www.nabrico-marine.com)

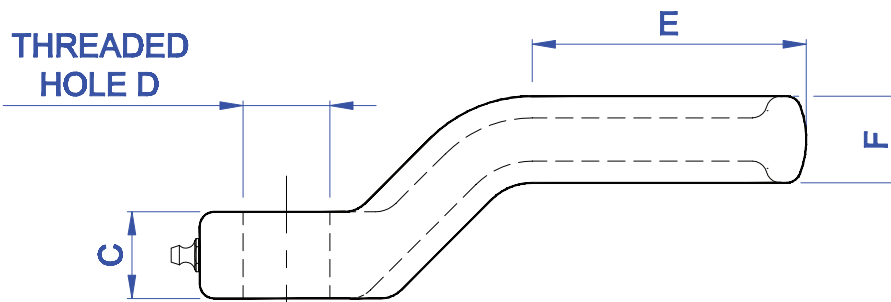
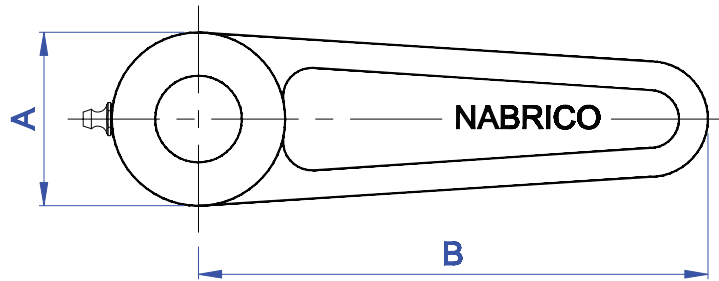
**175**

1250 Gateway Drive  
 Gallatin, Tennessee 37066  
 615-442-1300

The specifications and details described by drawings or text in this literature are subject to change without notice.



# NABRICO



| DOG HANDLES WITHOUT GREASE FITTINGS |             |
|-------------------------------------|-------------|
| MATERIAL                            | PART NUMBER |
| BRONZE                              | 17744       |
| IRON                                | 74837       |
| GALVANIZED                          | 74839       |
| STAINLESS                           | 85236       |

| DOG HANDLES WITH GREASE FITTINGS |             |
|----------------------------------|-------------|
| MATERIAL                         | PART NUMBER |
| BRONZE                           | 17743       |
| IRON                             | 74836       |
| GALVANIZED                       | 74838       |
| STAINLESS                        | 85235       |

| MODEL No. | A     | B      | C     | D            | E     | F     | WT. (Kg) |
|-----------|-------|--------|-------|--------------|-------|-------|----------|
| DF-39     | 38 mm | 111 mm | 19 mm | 19 mm-10 UNC | 60 mm | 19 mm | 1        |

## DOG HANDLE

**Nabrico Products**  
[www.nabrico-marine.com](http://www.nabrico-marine.com)

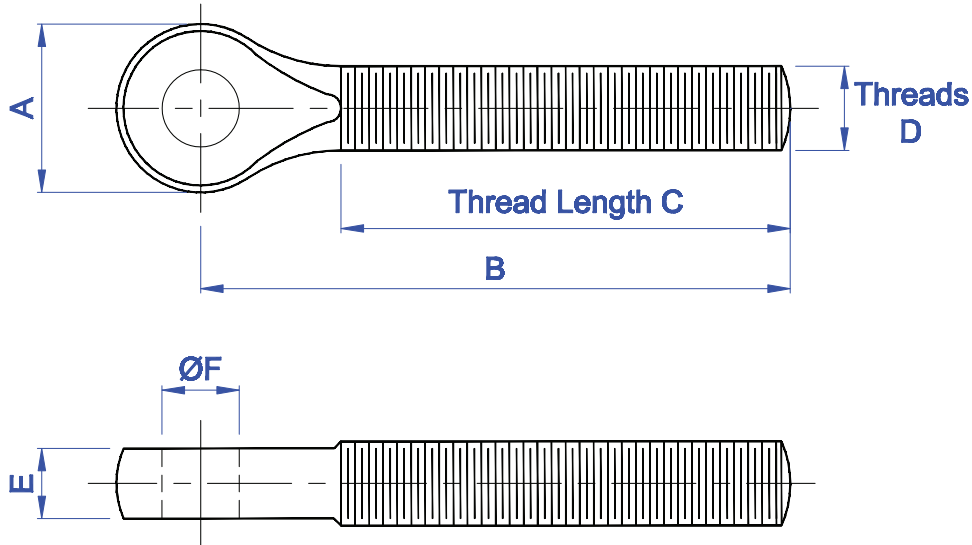
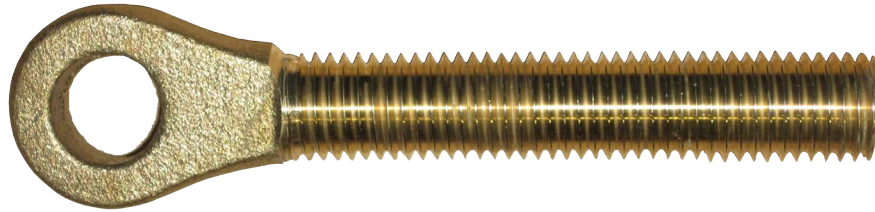
**176**

1250 Gateway Drive  
 Gallatin, Tennessee 37066  
 615-442-1300

The specifications and details described by drawings or text in this literature are subject to change without notice.



# NABRICO



| MATERIAL      | PART NUMBER |
|---------------|-------------|
| BRONZE        | 10774       |
| STAINLESS 304 | 87939       |

| MODEL No. | SIZE   | A     | B      | C      | D            | E     | ØF    | WT. (Kg) |
|-----------|--------|-------|--------|--------|--------------|-------|-------|----------|
| DF-43     | 133 mm | 38 mm | 133 mm | 102 mm | 19 mm-10 UNC | 16 mm | 17 mm | 1        |

## TUMBLE BOLT

**Nabrico Products**  
[www.nabrico-marine.com](http://www.nabrico-marine.com)

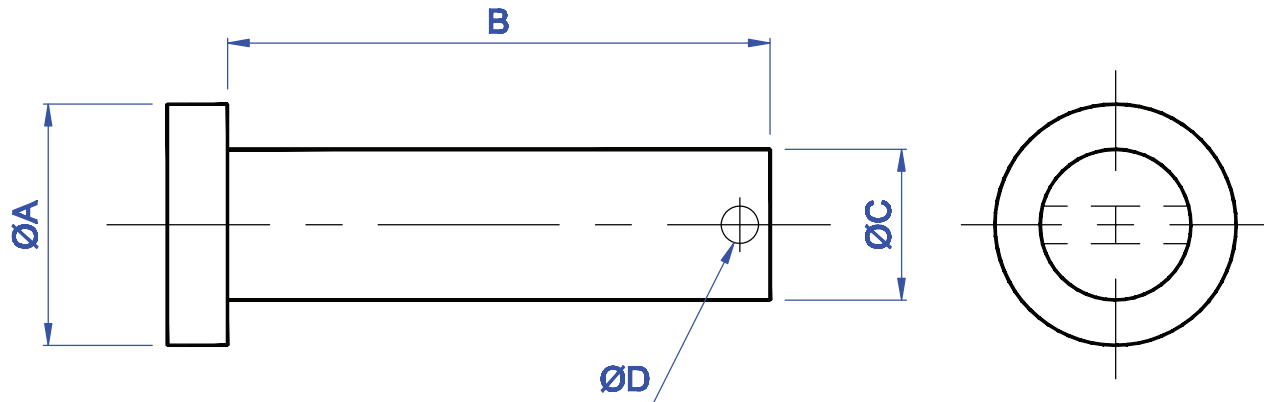
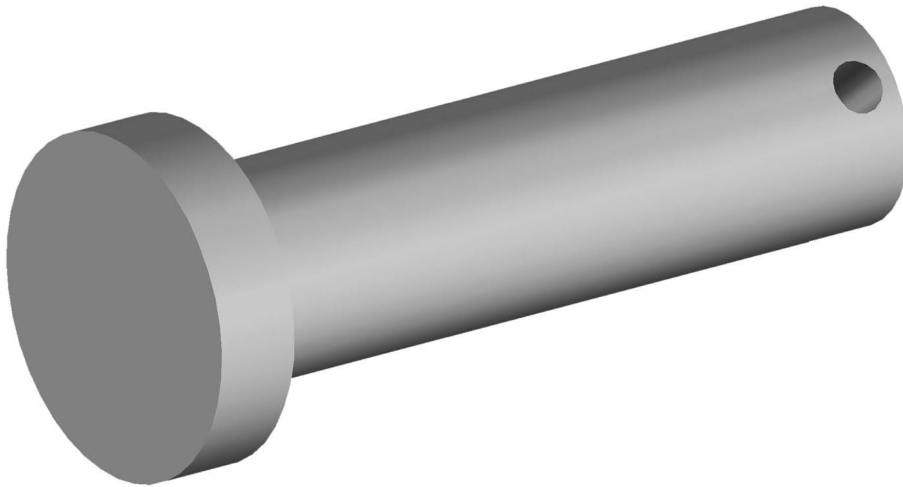
177

1250 Gateway Drive  
 Gallatin, Tennessee 37066  
 615-442-1300

The specifications and details described by drawings or text in this literature are subject to change without notice.



# NABRICO



| MATERIAL  | PART No. | ØA    | B     | ØC    | ØD   | WT. (Kg) |
|-----------|----------|-------|-------|-------|------|----------|
| STAINLESS | 92771    | 25 mm | 57 mm | 16 mm | 4 mm | 1        |

## TUMBLE BOLT PIN

**Nabrico Products**  
[www.nabrico-marine.com](http://www.nabrico-marine.com)

**178**

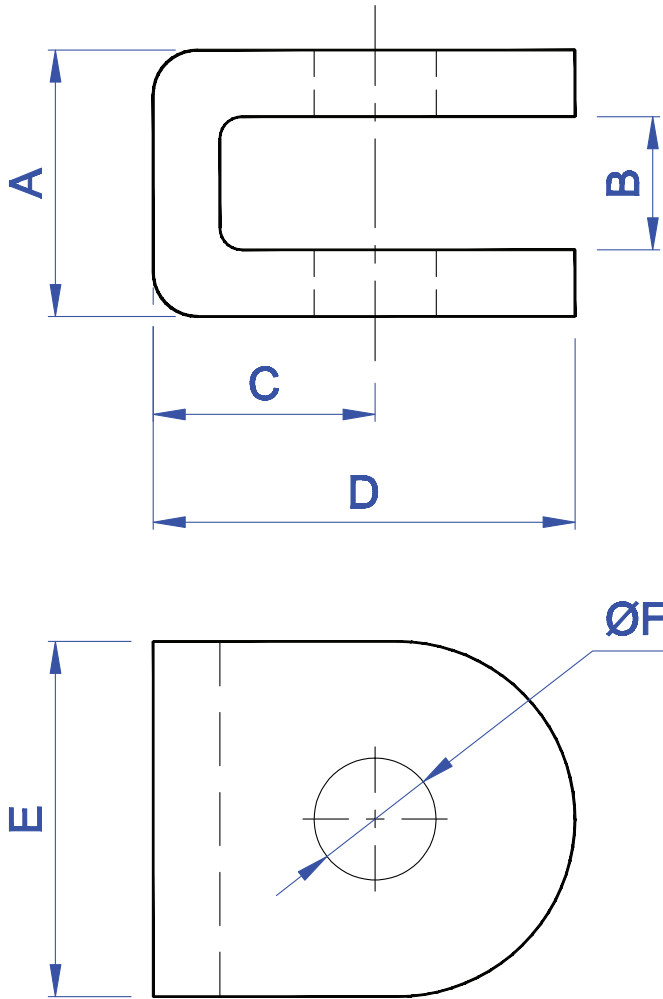
1250 Gateway Drive  
 Gallatin, Tennessee 37066  
 615-442-1300

The specifications and details described by drawings or text in this literature are subject to change without notice.





# NABRICO



| MATERIAL  | PART NUMBER |
|-----------|-------------|
| STEEL     | 75051       |
| STAINLESS | 75070       |

| MODEL No. | A     | B     | C     | D     | E     | ØF    | WT. (Kg) |
|-----------|-------|-------|-------|-------|-------|-------|----------|
| DF-35     | 38 mm | 19 mm | 32 mm | 60 mm | 51 mm | 17 mm | 1        |

## TUMBLE BOLT LUG

**Nabrico Products**  
[www.nabrico-marine.com](http://www.nabrico-marine.com)

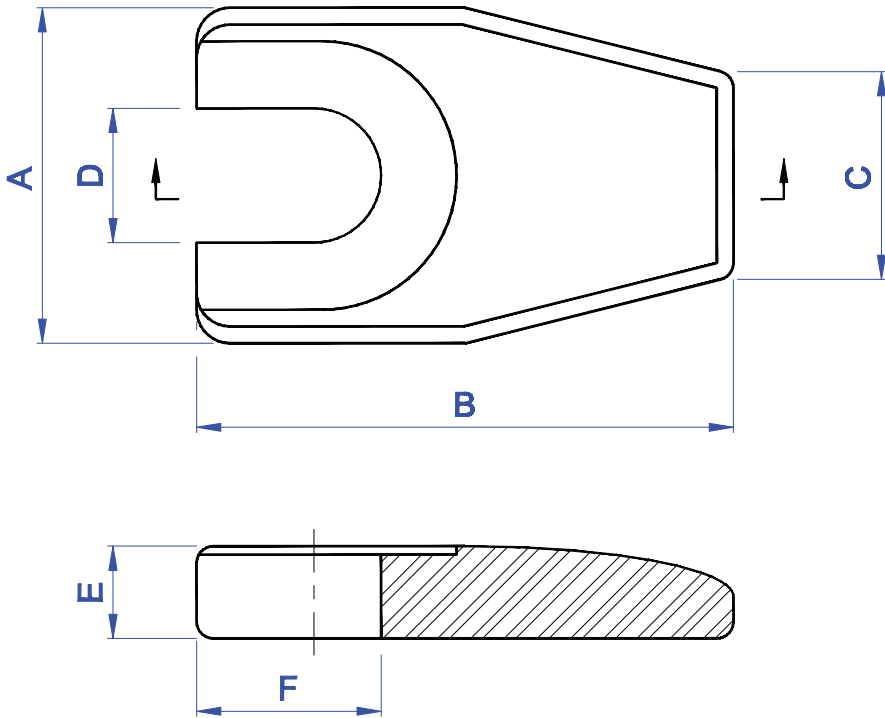
**179**

1250 Gateway Drive  
 Gallatin, Tennessee 37066  
 615-442-1300

The specifications and details described by drawings or text in this literature are subject to change without notice.



# NABRICO



| MATERIAL  | PART NUMBER |
|-----------|-------------|
| STEEL     | 6440        |
| STAINLESS | 6441        |

| MODEL No. | A     | B      | C     | D     | E     | ØF    | WT. (Kg) |
|-----------|-------|--------|-------|-------|-------|-------|----------|
| DF-37     | 64 mm | 102 mm | 38 mm | 25 mm | 17 mm | 35 mm | 1        |

## DOGGING PAD

**Nabrico Products**  
[www.nabrico-marine.com](http://www.nabrico-marine.com)

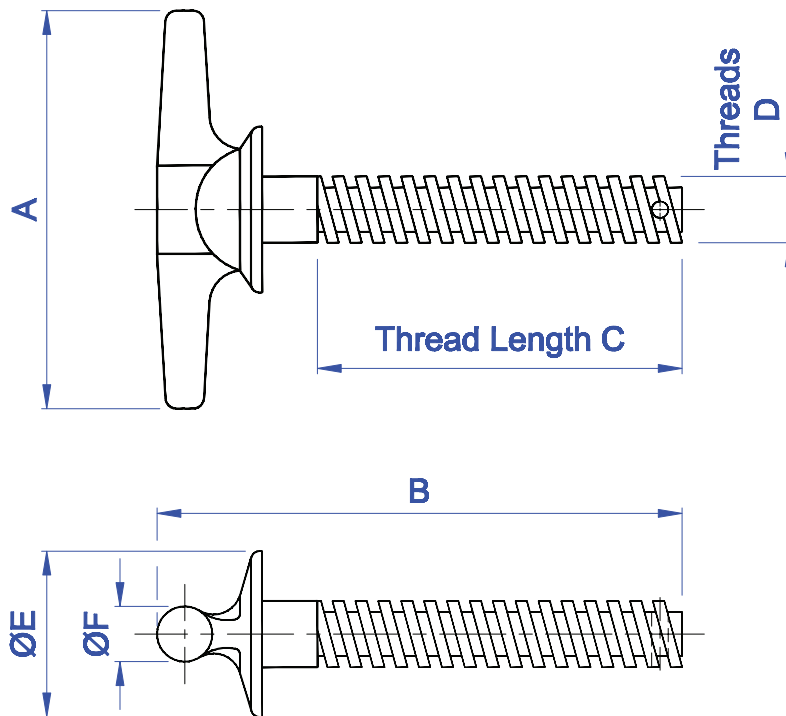
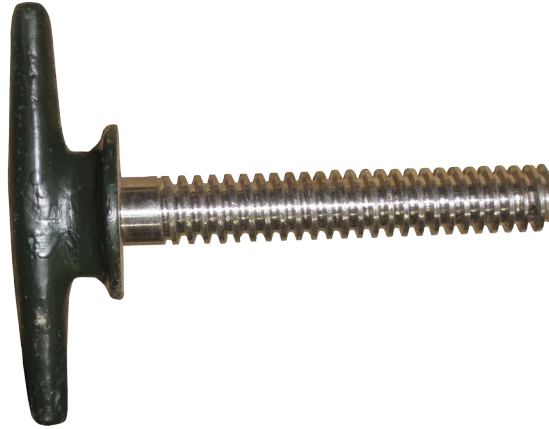
**180**

1250 Gateway Drive  
 Gallatin, Tennessee 37066  
 615-442-1300

The specifications and details described by drawings or text in this literature are subject to change without notice.



# NABRICO



| MODEL No. | MATERIAL      | PART No. | A      | B      | C      | D          | ØE    | ØF    | WT. (Kg) |
|-----------|---------------|----------|--------|--------|--------|------------|-------|-------|----------|
| DF-41     | STAINLESS 304 | 16993    | 114 mm | 151 mm | 105 mm | 19 mm-ACME | 48 mm | 16 mm | 1        |

## T-HANDLE (DF-430 Style Hatch)

**Nabrico Products**  
[www.nabrico-marine.com](http://www.nabrico-marine.com)

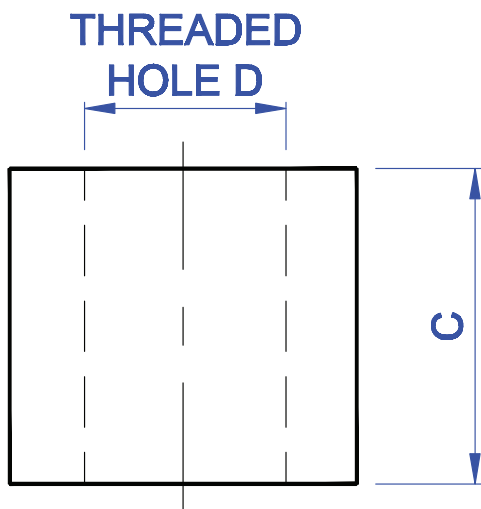
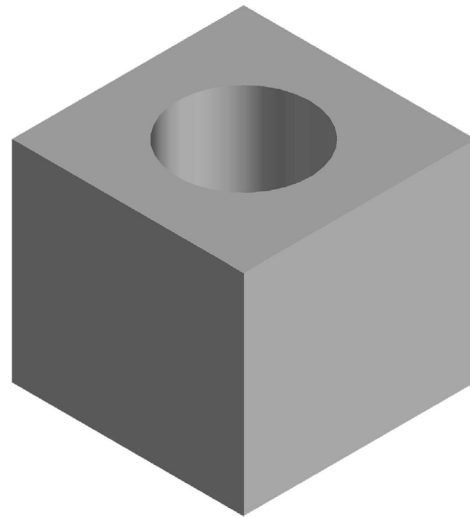
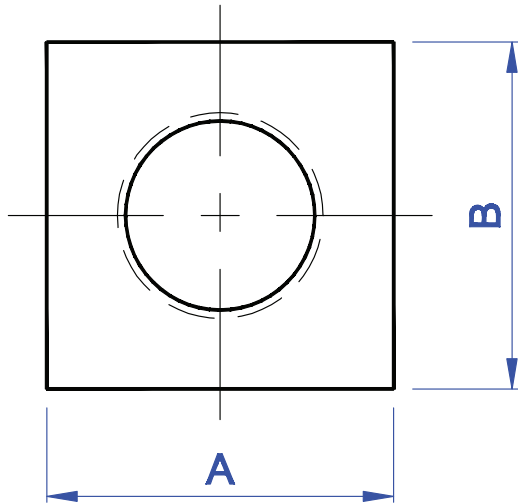
**181**

1250 Gateway Drive  
 Gallatin, Tennessee 37066  
 615-442-1300

The specifications and details described by drawings or text in this literature are subject to change without notice.



# NABRICO



| MATERIAL | PART No. | A     | B     | C     | D          | WT. (Kg) |
|----------|----------|-------|-------|-------|------------|----------|
| BRASS    | 507      | 35 mm | 35 mm | 32 mm | 19 mm-ACME | 1        |

## SQUARE BRASS NUT (DF-430 Style Hatch)

**Nabrico Products**  
[www.nabrico-marine.com](http://www.nabrico-marine.com)

**182**

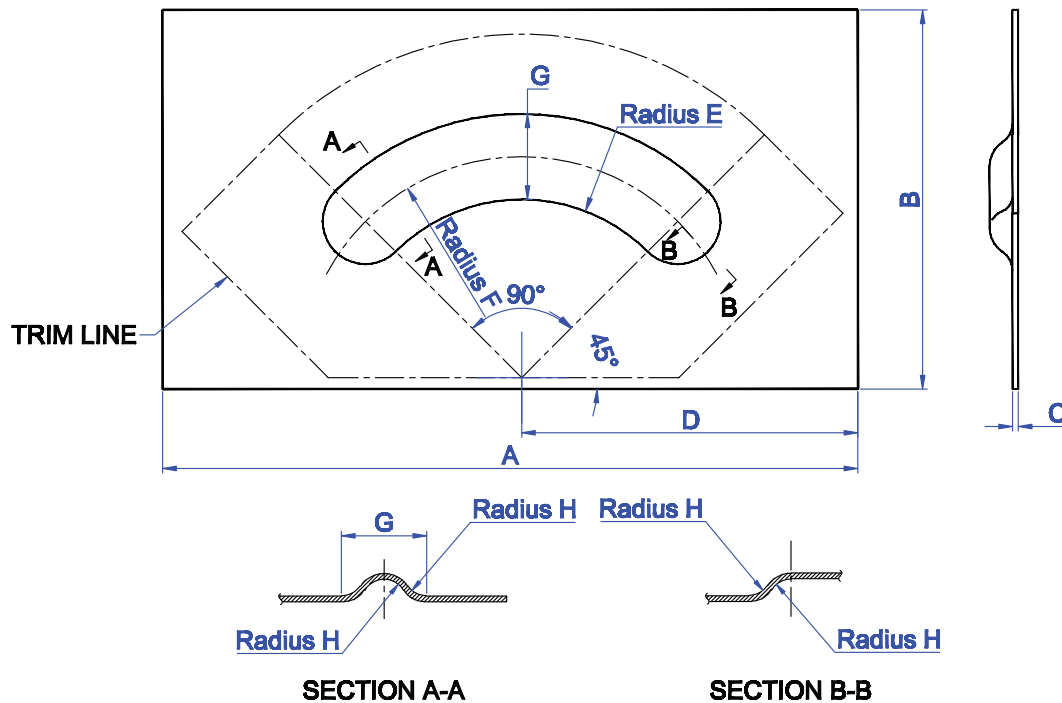
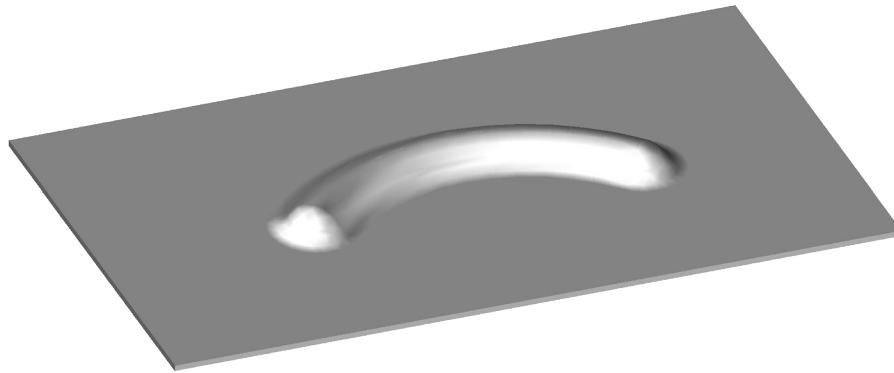
1250 Gateway Drive  
 Gallatin, Tennessee 37066  
 615-442-1300

The specifications and details described by drawings or text in this literature are subject to change without notice.





# NABRICO



| MODEL No. | PART No. | SIZE   | A      | B      | C    | D      | E      | F      | G     | H     | WT. (Kg) |
|-----------|----------|--------|--------|--------|------|--------|--------|--------|-------|-------|----------|
| DF-443-5  | 87890    | 76 mm  | 775 mm | 422 mm | 6 mm | 375 mm | 198 mm | 246 mm | 95 mm | 25 mm | 11       |
| DF-443-5  | 87904    | 152 mm | 876 mm | 498 mm | 6 mm | 425 mm | 275 mm | 322 mm | 95 mm | 25 mm | 12       |

## EXPANSION PLATE

**Nabrico Products**  
[www.nabrico-marine.com](http://www.nabrico-marine.com)

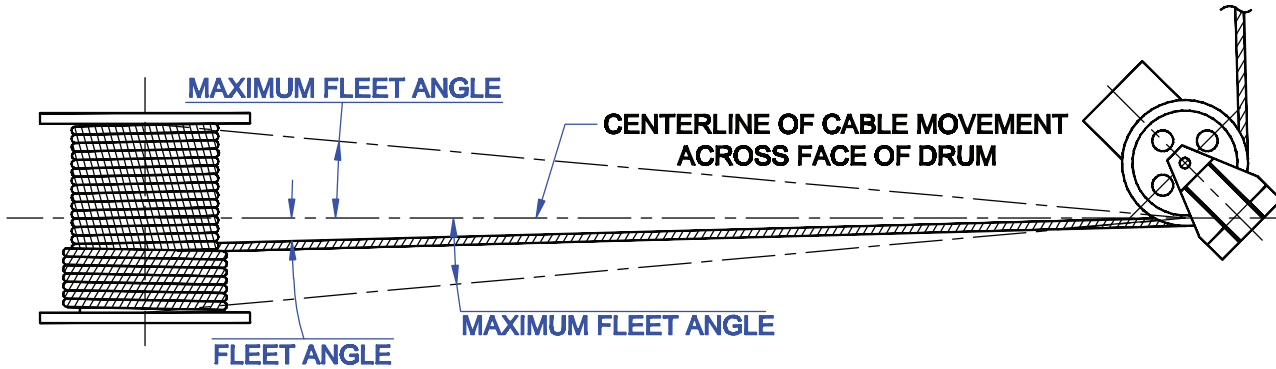
**183**

1250 Gateway Drive  
 Gallatin, Tennessee 37066  
 615-442-1300

The specifications and details described by drawings or text in this literature are subject to change without notice.



# NABRICO



**Fleet Angle:**

In order to insure proper wrapping on the drum and no undue wear of the wire rope, the fleet angle should be kept as small as practical. This is important to consider during the planning of a winch installation. Sheaves and drums should be placed so that the fleet angle will be equal on each side of the centerline of rope travel.

For a smooth drum a maximum fleet angle of 1-1/2 degrees is recommended. When the drum is grooved to suit the wire rope, the fleet angle should not exceed 2 degrees.

**Example: Fleet Angle Calculation for 914 mm Chain Drive Barge Moving Winch**

## 914 mm Chain Drive Moving Winch

$$a=457 \text{ mm}$$

$$b=x \text{ (distance to be determined)}$$

$$A^\circ=1.5^\circ \text{ (minimum for a smooth drum)}$$

$$\tan A = a/b$$

$$\tan 1.5^\circ = 457 \text{ mm}/x$$

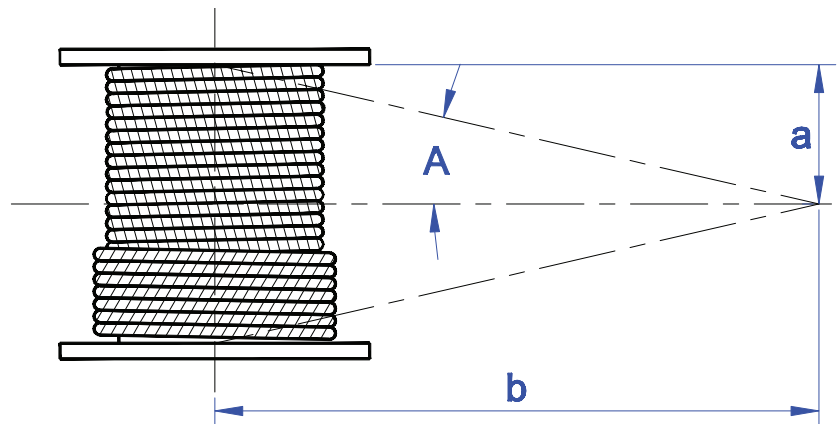
$$.02619 = 457 \text{ mm}/x$$

$$x = 457 \text{ mm}/.02619$$

$$x \sim 17475 \text{ mm (rounded up to next whole number)}$$

$$x \sim 17475 \text{ mm} / 1000 \text{ (convert to meters)}$$

$$x \sim 18 \text{ m}$$



## FLEET ANGLE











# NABRICO

## DECK FITTING NOTES AND GENERAL INFORMATION

The information and sketches shown in this catalog are proprietary to NABRICO. Duplication, reproduction, or manufacture from data contained herein is strictly prohibited.

All deck fittings and winches must be sized correctly, properly located, and installed to serve their intended functions. It is the owner/operator's responsibility to adhere to the aforementioned.

Improper installation can result in failure of a casting or winch. Deck fittings which have failed due to overloads, or have been dislodged from foundations, or have fracture and/or deformations should be repaired or replaced immediately.

In particular, loads to bitts must be applied to the posts between the base and the mid point in the horizontal or downward direction. Properly placed chocks will prevent line chafing. Kevels should be installed horizontally on foundation bases of sufficient sizes. Force to kevels must be directed to the trunk and not the horns. Horns will fail when exposed to direct loads.

Deck fittings are not designed for use to lift the vessel. Misapplication or misuse of a deck fitting is not the responsibility of the supplier or NABRICO.

All dimensions shown in this catalog are in meters and millimeters. Weights are in metric kilograms. Capacities are in metric tons of 1000 kilograms. Please note that dimensions and weights are nominal and are subject to standard variations.



# NABRICO

## PRODUCT WARRANTY

NABRICO warrants that all NABRICO products shall be free from defects in material and workmanship during the Warranty Period (as hereinafter defined); provided, however, that NABRICO's warranty hereunder shall not apply to any equipment, material or components that is not manufactured by NABRICO, and NABRICO makes no express or implied warranty that any such equipment, material or components are free from manufacturer or supplier defects. To the extent doable, NABRICO agrees to transfer and assign to a Buyer or End User any warranties extended by the manufacturer or supplier of such equipment, material or components. NABRICO shall have no obligation or responsibility to repair or replace any defective NABRICO Product if a notice of defect is not reported in writing to NABRICO within 180 days from the date of shipment of any NABRICO Winch Products and 90 days from the date of shipment of any other NABRICO Products (such 180 day and 90 day periods are hereinafter referred to as "Warranty Period").

In the event Buyer or any End User timely notify NABRICO in writing of any claim of defect covered by this warranty, NABRICO shall correct the nonconforming work by making repairs or replacements, at NABRICO's option and at NABRICO's expense, if NABRICO's examination shall disclose to its satisfaction that all or a portion of the NABRICO Product is defective. However, this warranty is conditional upon compliance by the Buyer or End User with loading, use and handling in accordance with good commercial practices of the trade, and NABRICO shall not be responsible for defects caused by misloading, overheating, improper cleaning, misapplication, physical abuse or from normal wear and tear. This warranty is void where any NABRICO Product has been altered or repaired by anyone other than NABRICO or its authorized agent.

THE WARRANTY AND REMEDIES SET FORTH HEREIN ARE IN SUBSTITUTION OF AND IN LIEU OF ANY AND ALL OTHER WARRANTIES AND REMEDIES EXPRESSED OR IMPLIED, INCLUDING, BUT NOT LIMITED TO, ANY IMPLIED WARRANTIES OF MERCHANTABILITY OR FITNESS FOR A PARTICULAR PURPOSE, WITH RESPECT TO THE CONSTRUCTION, DELIVERY AND SALE OF A NABRICO PRODUCT, AND NABRICO SHALL, FOLLOWING SAID DELIVERY AND SALE, IN NO EVENT BE LIABLE TO BUYER OR ANY END USER FOR THE BREACH OF ANY WARRANTY, GUARANTY, OR REMEDY, EXPRESSED OR IMPLIED, IN FACT OR IN LAW, EXCEPT AS SPECIFICALLY SET FORTH ABOVE. EXCEPT AS PROVIDED HEREIN, NABRICO SHALL AT NO TIME AND IN NO EVENT BE LIABLE TO BUYER OR ANY END USER OR TO ANYONE CLAIMING TO OR THROUGH BUYER OR ANY END USER FOR LOSS OR DAMAGES OF ANY KIND, INCLUDING, BUT NOT LIMITED TO, DIRECT, INDIRECT, SPECIAL, PUNITIVE OR CONSEQUENTIAL DAMAGES OR LOSS OF PROFITS RESULTING FROM ANY CAUSE WHATSOEVER, INCLUDING, BUT NOT LIMITED TO, ANY ACT, ERROR, OMISSION, NEGLIGENCE, STRICT LIABILITY, TORT, PRODUCT LIABILITY, OR OTHERWISE OF NABRICO, ITS EMPLOYEES OR SUBCONTRACTORS.

**Nabrigo Products**  
[www.nabrigo-marine.com](http://www.nabrigo-marine.com)

**189**

**1250 Gateway Drive**  
**Gallatin, Tennessee 37066**  
**615-442-1300**

The specifications and details described by drawings or text in this literature are subject to change without notice.

# NABRICO

1250 GATEWAY DRIVE | GALLATIN, TN 37066

615.442.1300 | 615.442.1313 FAX

[WWW.NABRICO-MARINE.COM](http://WWW.NABRICO-MARINE.COM)



CHOCKS | BARGE CRANES | OIL TANKS | OCEAN DOMES | SUCTION BELLMOUT