

WINCHES | HATCHES | BITTS | CAPSTANS | DOORS | KEVELS | SIGNS



NABRICO

Nabrico provides a full line of deck hardware to the marine industry. Our products include hatches, castings, and winches for barges, towboats and dock facilities.

Nabrico has been a well-respected brand that has stood for quality products and services for more than 100 years. Entrepreneurship is the cornerstone of our company culture. Our people are dedicated to serving our customers better. We are committed to product innovation and development, and are continually introducing new products designed to improve customer performance.

PRODUCT NOTICES

Proprietary Information. The information and sketches shown in this catalog are proprietary to Nabrico. Duplication, reproduction or manufacture from data contained herein is strictly prohibited.

Usage Warnings. All Nabrico Products must be correctly sized, properly located and installed to serve their intended functions and it is the responsibility of Buyer or End User to insure such action is taken. Please note and consider the following warnings: Improper installation can result in failure of a Nabrico Product. Nabrico Products that have failed because of overloads, or which have been dislodged from foundations, or have fractures and/or deformations should be repaired or replaced immediately. Loads to bitts must be applied to the posts between the base and the midpoint in a horizontal or downward direction. Properly placed chocks will prevent line chafing. Kevels should be installed horizontally on foundation bases of sufficient size, and forces to kevels must be direct to the trunk and not the horns. Horns will fail when exposed to direct loads. Nabrico Products are not designed for use to lift a vessel.

Dimensions. All dimensions shown in this catalog are in feet and inches. Weights are in English pounds. Capacities are in short tons of 2,000 pounds. Please note that dimensions and weights are nominal and are subject to standard variations. Maximum test pressure on hatches, doors and enclosures is 2 PSI unless advised in writing by Nabrico of a higher allowance. Product details and specifications are subject to change without notice.

Nabrico Products
www.nabrico-marine.com

1250 Gateway Drive
Gallatin, Tennessee 37066
615-442-1300

The specifications and details described by drawings or text in this literature are subject to change without notice.



NABRICO

WINCHES

POWER WINCHES

DF-1 ELECTRIC.....	3-6
DF-156 HYDRA-ELECTRIC.....	7-12
DF-1 SPUD WINCH.....	13-15
RAILCAR / BARGE MOVING.....	16-21
ANCHOR.....	22-23

MANUAL WINCHES

2/5 TON WINCH.....	25
DF-7 WORM GEAR.....	26
DF-3 UPRIGHT.....	27-29
DF-156 MANUAL.....	30-34
DF-529 LOW PROFILE.....	35-39
DF-539 COMPACT LP.....	40
DF-170 PARKER.....	41-43



NABRICO

LEVEL WIND

DF-156 HYDRA-ELECTRIC.....	45
DF-1 ELECTRIC.....	46

CAPSTANS

ELECTRIC / HYDRAULIC.....	48
---------------------------	----

DOORS

4 DOG.....	50
6 DOG.....	51
6 DOG WITH PORTLIGHT.....	52
QUICK ACTING.....	53
LEVER ARM.....	54-55

HATCHES

MULTI-BOLT

ROUND & OVAL RAISED.....	58-59
ROUND & OVAL 6 PSI.....	60-61



NABRICO

HATCHES

ROUND & OVAL RAISED STUD.....	62-63
ROUND & OVAL FLUSH.....	64-67
ROUND & OVAL FLUSH SCREW.....	68-69
SQUARE FLUSH SCREW.....	70
FLUSH & RAISED WATERTIGHT	
FLUSH WATERTIGHT.....	71-72
RAISED SINGLE BOLT.....	73-74
QUICK ACTING	
ESCAPE / SCUTTLE.....	75-76
RAISED / FLUSH QUICK ACTING.....	77-79
TWIST LOCK	
FLUSH TWIST LOCK.....	80
DOGGED	
SINGLE DOG ULLAGE.....	81-82
3 DOG RAISED.....	83



NABRICO

SINGLE DOG ROUND.....	84
2 DOG OVAL.....	85-86
4 DOG ROUND OVAL.....	87-88
6 DOG OVAL.....	89
6 DOG ROUND & OVAL 6 PSI.....	90-91
8 DOG SQUARE.....	92
2 BOLT OVAL.....	93
VALVE REMOVAL.....	94
KEVELS	
CAST STEEL.....	96
CAST STEEL HEAVY.....	97
CAST STEEL KEVEL CHOCK.....	98
CAST STEEL THRU DECK.....	99
CAST STEEL RAISED.....	100



NABRICO

CAST STEEL RAISED THRU DECK..... 101

BITTS

SINGLE..... 104-105

SINGLE THRU DECK..... 106

SINGLE THRU DECK W/ HORN..... 107

FABRICATED SINGLE..... 108

FABRICATED CRUCIFORM..... 109

DOUBLE..... 110-112

CHOCKS

CHOCKS

CAST STEEL BUTTON..... 114-120

CAST STEEL OPEN..... 121

CAST STEEL CLOSED..... 122

PANAMA CANAL..... 123-125



NABRICO

MOORING RING.....	126
FABRICATED BUTTON.....	127
COMBINATION BITT.....	128
FABRICATED OPEN.....	129
ROLLER CHOCKS	
SINGLE ROLLER.....	130-132
SINGLE ROLLER BUTTON.....	133-135
PIVOTING ROLLER.....	136
SPECIALTY	
FUEL/OIL TANK.....	138-140
WARNING SIGN.....	141-143
HEADS.....	144-145
BILGE PLATES.....	146
D-RING.....	147



NABRICO

CORNER PLATES.....	148
SUCTION BELLMOUTH.....	149-151
RATCHET STRAP.....	152
STUFFING GLAND.....	153
EXPANSION TRUNK.....	154-155
EXPANSION DOME.....	156
INTERLOCKING PIN.....	157
FLAG POLE.....	158
FAIRLEAD ROLLER.....	159
BARGE CRANE.....	160-162
PORTLIGHT.....	163-168
RUNNING LIGHT STAND.....	169



NABRICO

LADDER.....	170
STEERING POLE.....	171
DOCUMENT BOX.....	172
DRY BOX.....	173
DRIP / COVER.....	174-175
DOG HANDLE.....	176
TUMBLE BOLT.....	177
TUMBLE BOLT PIN.....	178
TUMBLE BOLT LUG.....	179
DOGGING PAD.....	180
T-HANDLE.....	181
SQUARE BRASS NUT.....	182
FLEET ANGLE.....	183

WINCHES

NABRICO Winches represent the expertise of people who know and understand the special needs of the towing industry. NABRICO's engineers incorporate over 100 years of experience in the river transportation industry in the development of both specialty and standard winch configurations. A winch designed and built by NABRICO assures you of quality and years of dependable service.



POWER WINCHES

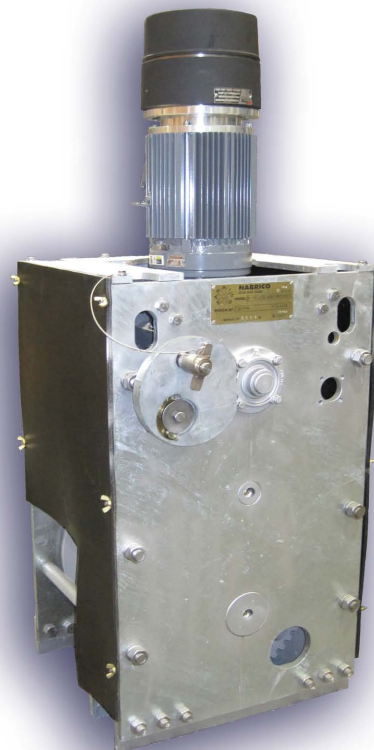
ELECTRIC	3-6
HYDRA-ELECTRIC	7-12
SPUD WINCH	13-15
RAILCAR/BARGE	16-21
ANCHOR	22-23

MANUAL WINCHES

2/5 TON	25
DF-7 WORM GEAR	26
DF-3 UPRIGHT	27-29
DF-156 MANUAL	30-34
DF-529 LOW PROFILE	35-39
DF-539 COMPACT LP	40
DF-170 PARKER	41-43

LEVEL WIND

DF-156 HYDRA-ELECTRIC	45
DF-1 ELECTRIC	46



Nabrico Products
www.nabrico-marine.com

1

1250 Gateway Drive
Gallatin, Tennessee 37066
615-442-1300

The specifications and details described by drawings or text in this literature are subject to change without notice.



NABRICO



NABRICO offers a variety of options for your power winch needs. We have multiple options for mounting positions of winches and garmotors. Our winches come standard with a galvanized finish and all stainless steel fasteners. NABRICO's power winches are the heaviest in their class and have a simple design that is field serviceable. NABRICO offers a power winch to fit your specific needs.

POWER WINCHES

Winches portrayed in drawings, photographs and copy are not designed for lifting or lowering persons or equipment

Nabrigo Products
www.nabrigo-marine.com

2

1250 Gateway Drive
Gallatin, Tennessee 37066
615-442-1300

The specifications and details described by drawings or text in this literature are subject to change without notice.



NABRICO

FEATURES



- Salt water package standard on all power winches.
- Hot-dipped galvanized.
- Stainless or silicon bronze fasteners.
- 3-ply conveyor belt covers (damage and corrosion resistant).
- 3-tooth locking dog with large release and fail-safe disc brake.
- Provisions for emergency manual operation with cordless drill.
- NEMA motor design with cycloidal gearbox available.
- Control box option: NEMA 4X stainless steel.
- Minimal maintenance and easy to repair.
- Variable frequency drive option available (Amp draw limits, variable speeds and motor protection).
- Made as one model adjustable to true right or left hand models for use in pairs.
- Over 100 fewer parts than other electric winches (no chain or sprockets).
- Heaviest winch in its class.
- 30 Ton - 5 HP motor standard.
- 40 Ton - 7.5 HP motor standard.
- 50 Ton - 10 HP motor standard.
- 65 Ton - 10 HP motor standard.
- Other line pulls and speeds available.

MODEL No.	HOLDING DOG &/OR BRAKE	LINE PULL			DRUM CAPACITIES (FT)					WEIGHT	DIMENSIONAL DATA		
		S. TONS	@ RATED AMPS	@ MOTOR STALL	FPM	1/2"	5/8"	3/4"	7/8"		1"	LBS	W
DF-1-30	30	12500	18750	14	361	228	138	120	66	1700	20"	22"	55"
DF-1-40	40	15600	23400	16	-	287	180	130	100	1800	21"	24"	67"
DF-1-50	50	20800	31200	16	-	287	180	130	100	1850	21"	24"	69"
DF-1-65	65	37800	56700	9	-	572	325	262	200	3200	24"	30"	79"

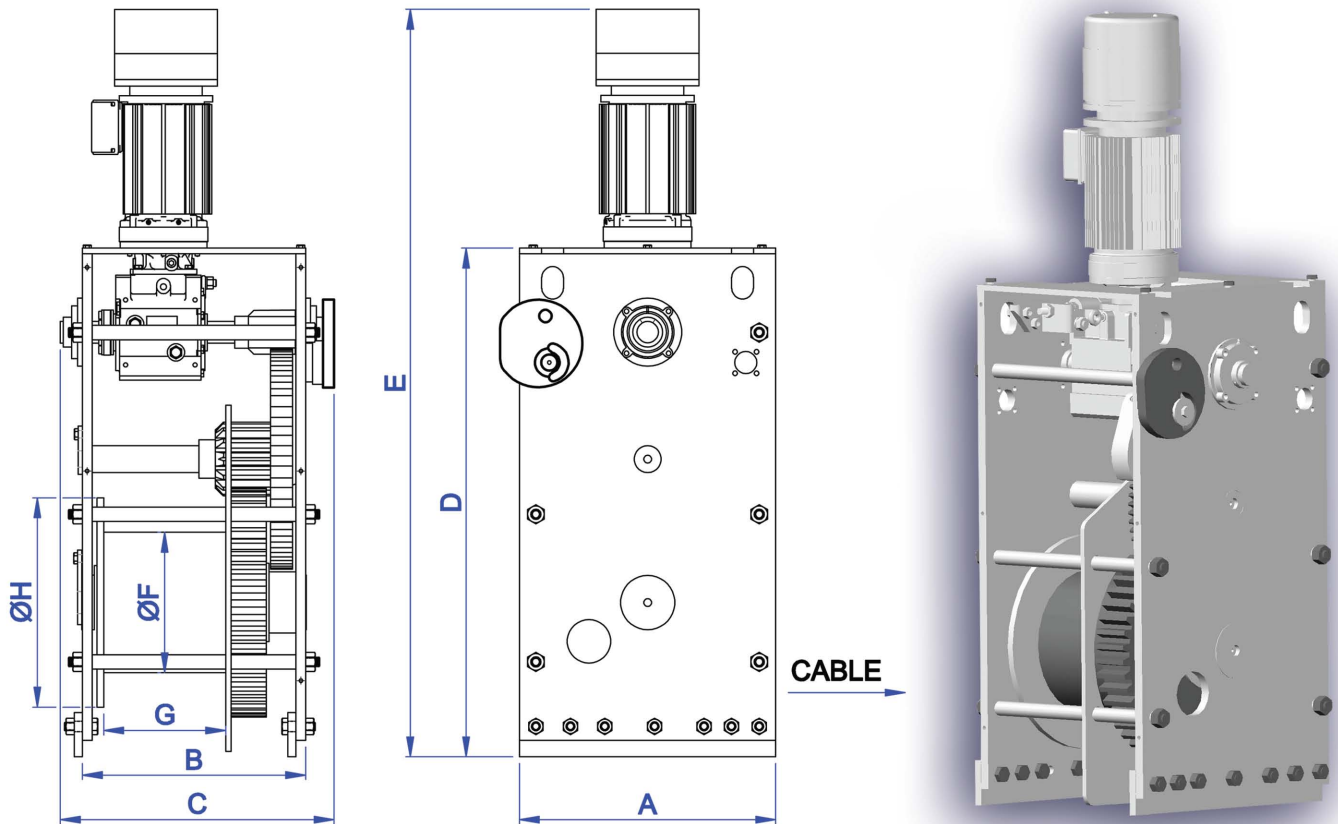
DF-1 UPRIGHT ELECTRIC WINCH

Nabrigo Products
www.nabrigo-marine.com

1250 Gateway Drive
 Gallatin, Tennessee 37066
 615-442-1300



NABRICO



RIGHT HAND WINCH SHOWN
LEFT HAND WINCH OPPOSITE

COATINGS	RH WINCH PART No.	LH WINCH PART No.
GALVANIZED	83391	83390

MODEL No.	PART No.	A	B	C	D	E	ØF	G	ØH	WT. (lbs.)
DF-1-30	REFER TO COATINGS TABLE	22"	19 3/8"	23"	39"	57 1/2"	10 3/4"	11"	16"	1700

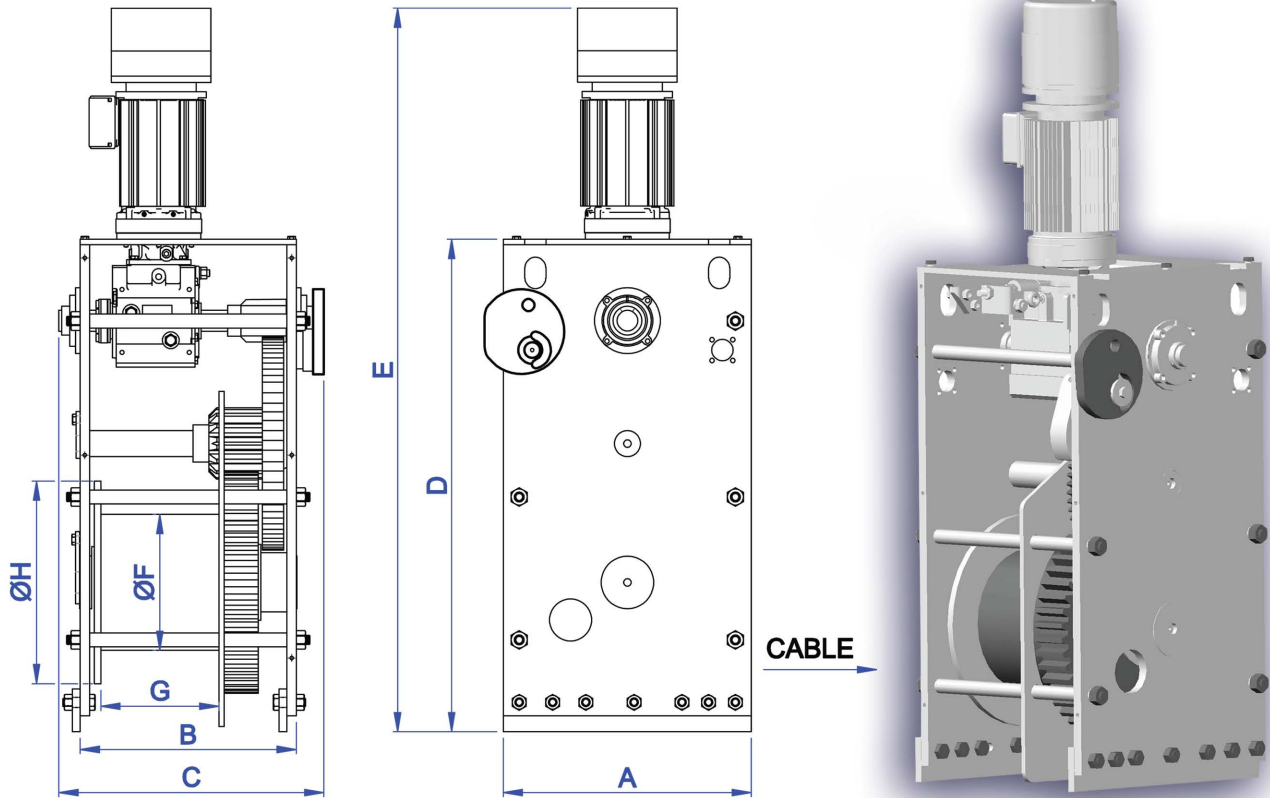
30 TON UPRIGHT ELECTRIC WINCH

Nabrico Products
www.nabrico-marine.com

1250 Gateway Drive
Gallatin, Tennessee 37066
615-442-1300



NABRICO



RIGHT HAND WINCH SHOWN
LEFT HAND WINCH OPPOSITE

COATINGS	RH WINCH PART No.	LH WINCH PART No.
GALVANIZED	83393	83392

MODEL No.	PART No.	A	B	C	D	E	ØF	G	ØH	WT. (lbs.)
DF-1-40	REFER TO COATINGS TABLE	23 1/4"	20 1/8"	24"	46 1/8"	70"	12 3/4"	11 1/4"	19"	1800

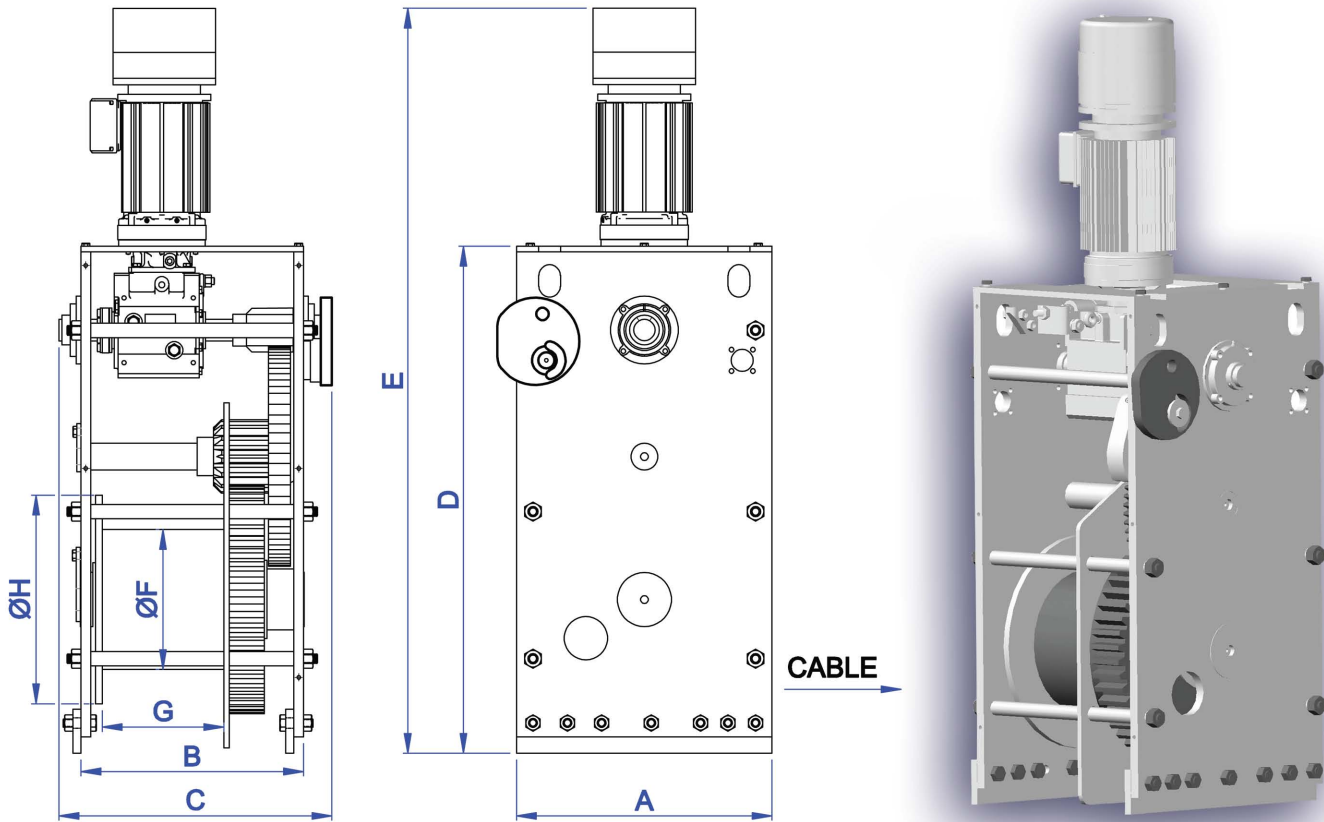
40 TON UPRIGHT ELECTRIC WINCH

Nabrico Products
www.nabrico-marine.com

1250 Gateway Drive
Gallatin, Tennessee 37066
615-442-1300



NABRICO



RIGHT HAND WINCH SHOWN
LEFT HAND WINCH OPPOSITE

COATINGS	RH WINCH PART No.	LH WINCH PART No.
GALVANIZED	83395	83394

MODEL No.	PART No.	A	B	C	D	E	ØF	G	ØH	WT. (lbs.)
DF-1-65	REFER TO COATINGS TABLE	30"	23 1/8"	27"	55 1/2"	81"	14"	10 5/8"	24"	3200

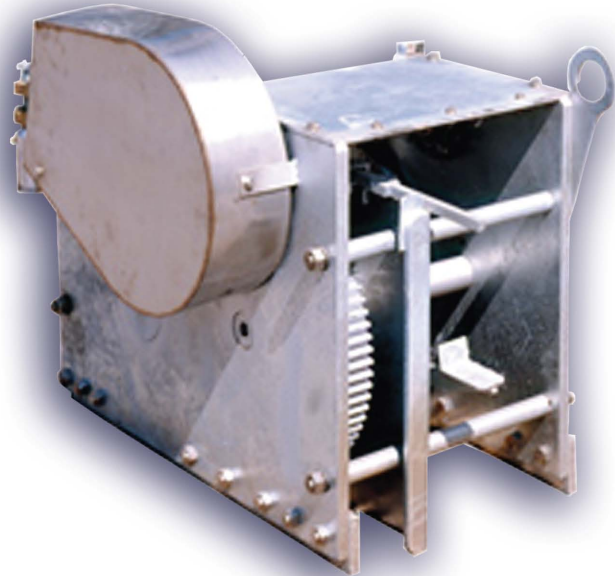
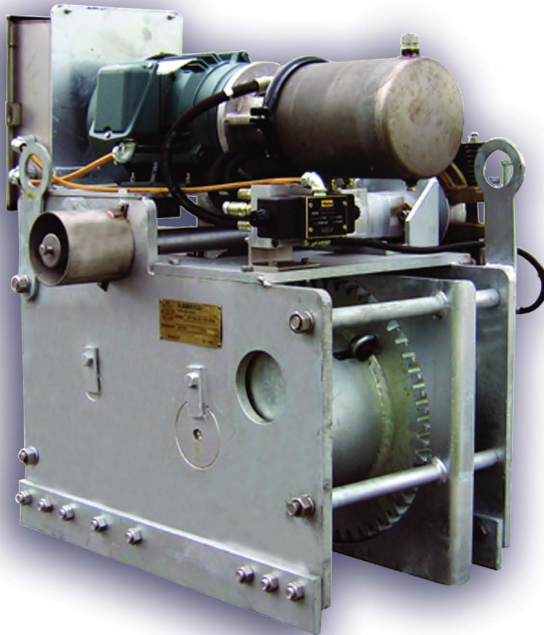
65 TON UPRIGHT ELECTRIC WINCH

Nabrico Products
www.nabrico-marine.com

1250 Gateway Drive
Gallatin, Tennessee 37066
615-442-1300



NABRICO



- SELF-CONTAINED HYDRAULIC / ELECTRIC POWER UNIT WITH STAINLESS STEEL TANK.
- WINCH OPERATION CAN ALSO BE ACHIEVED BY CUSTOMER SUPPLIED HYDRAULIC POWER OR REMOTE MOUNTED POWER SUPPLY.
- FAIL-SAFE BRAKE.
- MECHANICAL DOG FOR EMERGENCY MANUAL OPERATION.
- HOT-DIPPED GALVANIZED STANDARD.

- FREE WHEELING FEATURE TO ALLOW FASTER CABLE PULL-OUT.
- STAINLESS STEEL COMPONENTS: CONTROL BOX, GUARDS, TANKS, AND FASTENERS.
- FULLY SYNTHETIC BIODEGRADABLE HYDRAULIC FLUID.
- TRUE LEFT OR RIGHT HAND MODELS FOR USE IN PAIRS.
- HYDRAULIC SYSTEM PREVENTS POWER SPIKES.

MODEL No.	HOLDING DOG &/OR BRAKE	LINE PULL @ FIRST LAYER			DRUM CAPACITIES (FT)				LINE SPEED FPM	WEIGHT LBS	DIMENSIONAL DATA		
		S. TONS	HYDRA ELECTRIC RATED	HYDRA ELECTRIC MAX	HANDWHEEL ONE MAN	5/8"	3/4"	7/8"			1"	W	L
DF-156-10-6-HE	10	2272 @ 830 PSI	3150 @ 1119 PSI	7000	174	129	-	-	23.5	897	10 5/16"	22 1/2"	42 3/8"
DF-156-20-7-HE	20	9382 @ 1138 PSI	11700 @ 1381 PSI	14000	109	57	39	21	17.2	1284	15 1/2"	30"	41"
DF-156-40-11-HE	40	17213 @ 1695 PSI	18000 @ 1797 PSI	15000	287	176	130	84	12.8	1930	20 1/8"	36"	40"
DF-156-60-11-HE	60	31771 @ 1998 PSI	33480 @ 2105 PSI	24000	572	325	262	200	9.9	3225	23 1/8"	46 7/8"	51"

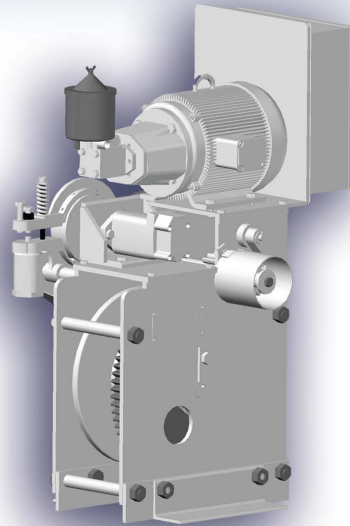
HYDRA-ELECTRIC WINCH

Nabrico Products
www.nabrico-marine.com

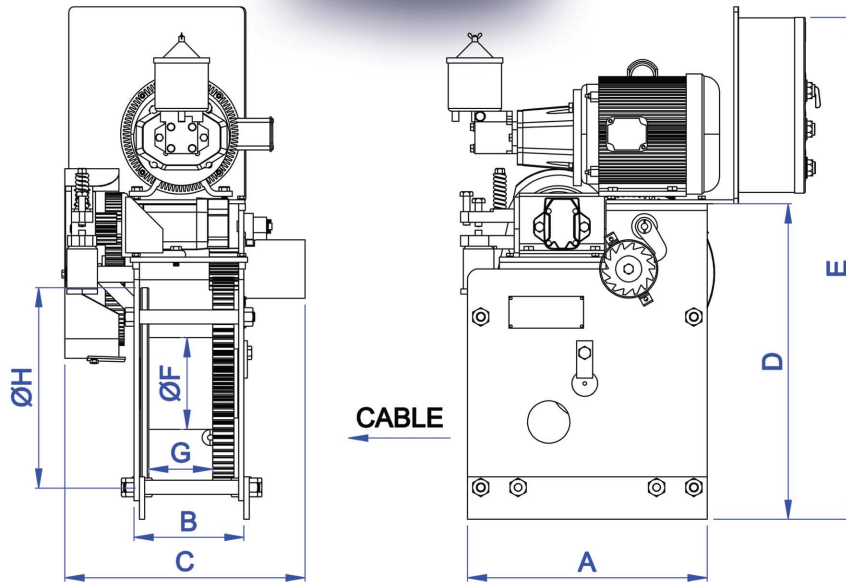
1250 Gateway Drive
 Gallatin, Tennessee 37066
 615-442-1300



NABRICO



LEFT HAND WINCH SHOWN
RIGHT HAND WINCH OPPOSITE



COATINGS	RH WINCH PART No.	LH WINCH PART No.
GALVANIZED	72478	72486

MODEL No.	PART No.	A	B	C	D	E	ØF	G	ØH	WT. (lbs.)
DF-156-10	REFER TO COATINGS TABLE	22 1/2"	10 3/8"	25"	24 1/2"	40"	8 5/8"	6"	18"	900

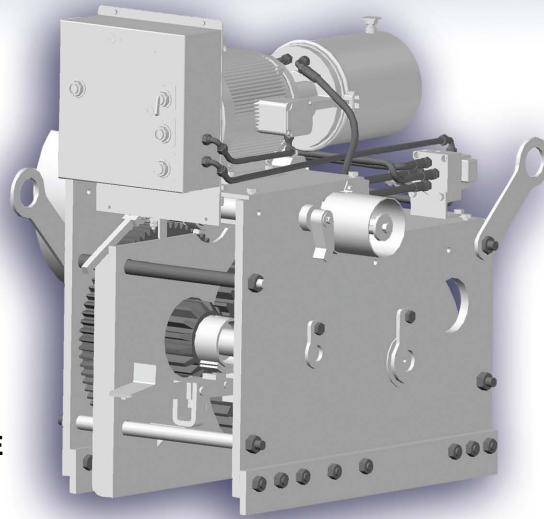
10 TON HYDRA-ELECTRIC WINCH

Nabrico Products
www.nabrico-marine.com

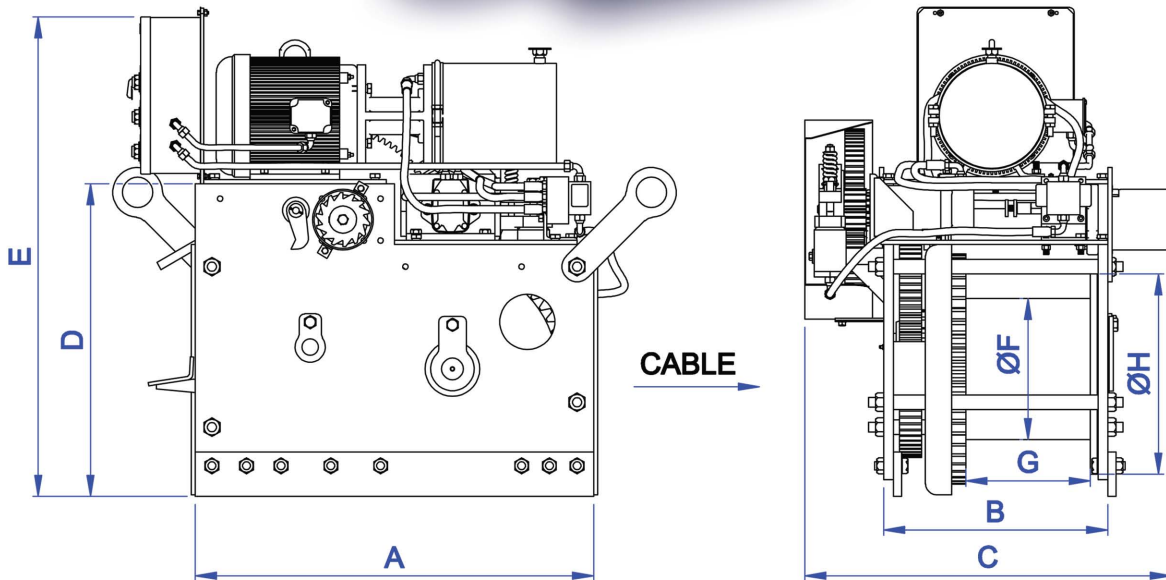
1250 Gateway Drive
Gallatin, Tennessee 37066
615-442-1300



NABRICO



RIGHT HAND WINCH SHOWN
LEFT HAND WINCH OPPOSITE



COATINGS	RH WINCH PART No.	LH WINCH PART No.
GALVANIZED	87850	87599

MODEL No.	PART No.	A	B	C	D	E	ØF	G	ØH	WT. (lbs.)
DF-156-20	REFER TO COATINGS TABLE	30"	15 1/4"	27 1/2"	28"	41"	10 3/4"	7 1/4"	16"	1300

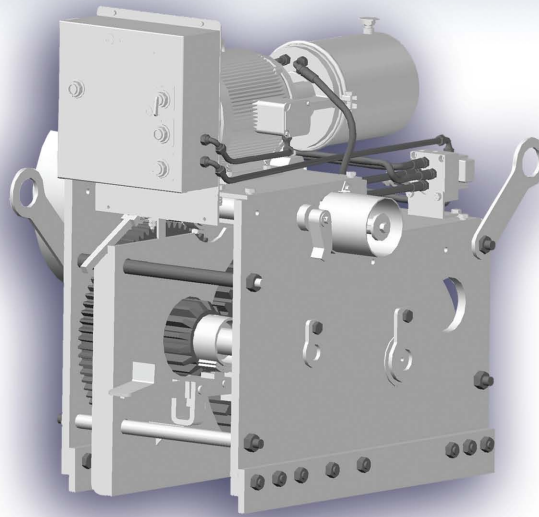
20 TON HYDRA-ELECTRIC WINCH

Nabrico Products
www.nabrico-marine.com

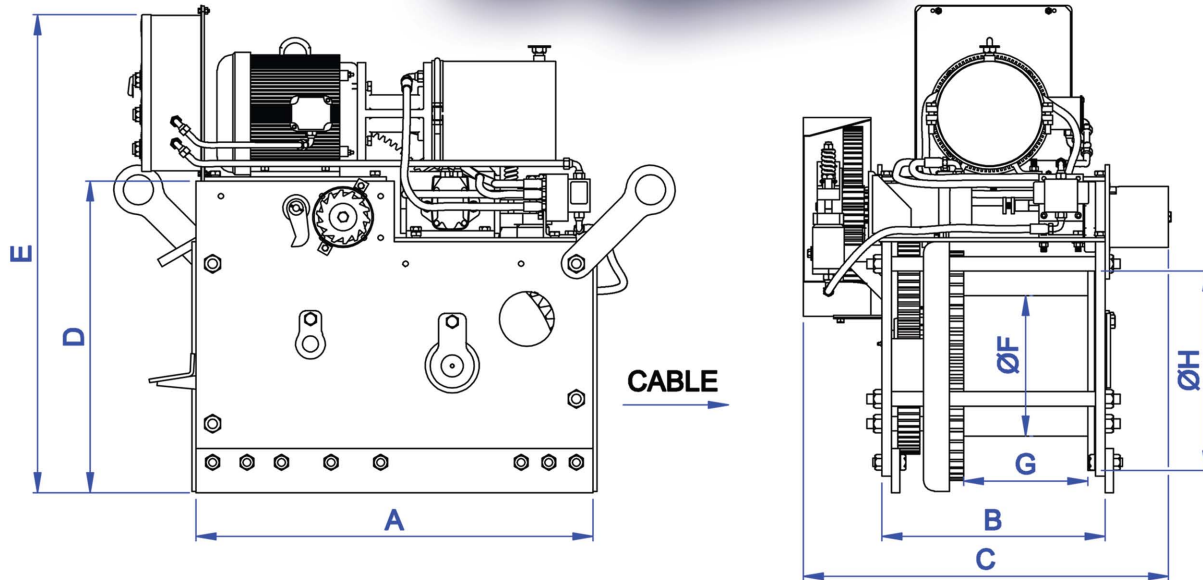
1250 Gateway Drive
Gallatin, Tennessee 37066
615-442-1300



NABRICO



RIGHT HAND WINCH SHOWN
LEFT HAND WINCH OPPOSITE



COATINGS	RH WINCH PART No.	LH WINCH PART No.
GALVANIZED	87297	87300

MODEL No.	PART No.	A	B	C	D	E	ØF	G	ØH	WT. (lbs.)
DF-156-40	REFER TO COATINGS TABLE	36"	20 1/4"	33"	28 1/2"	44"	12 3/4"	11 1/4"	19"	2100

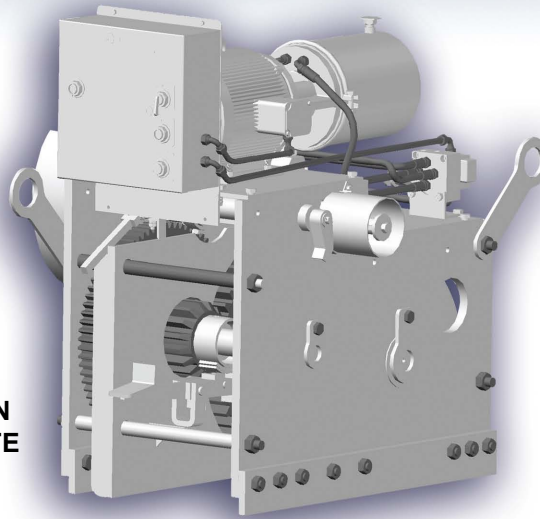
40 TON HYDRA-ELECTRIC WINCH

Nabrico Products
www.nabrico-marine.com

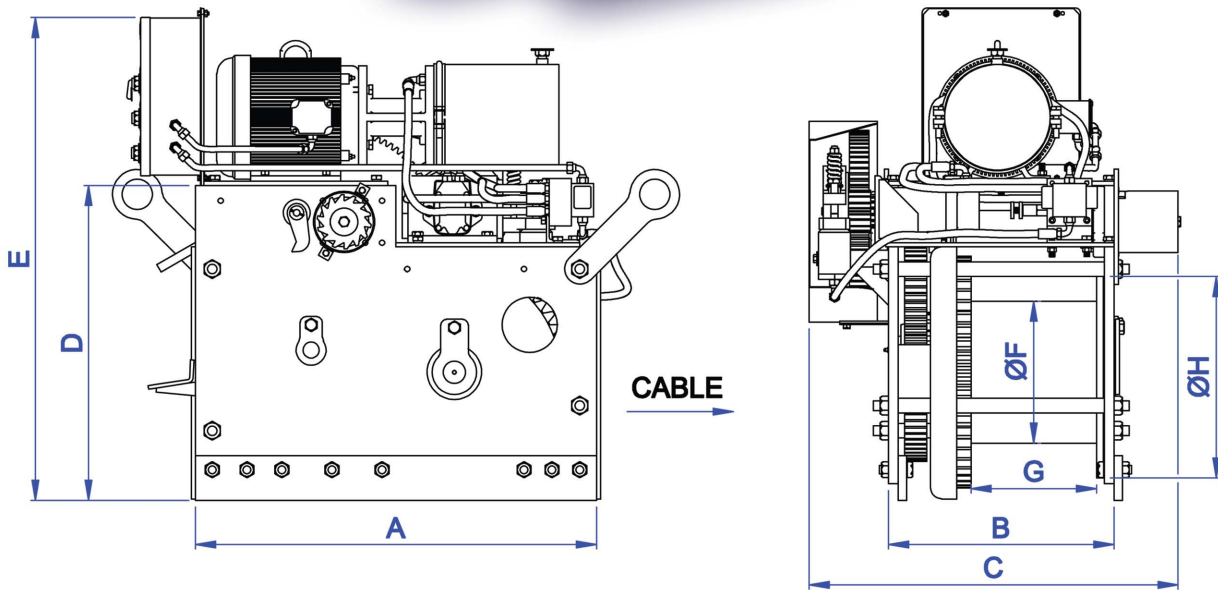
1250 Gateway Drive
Gallatin, Tennessee 37066
615-442-1300



NABRICO



RIGHT HAND WINCH SHOWN
LEFT HAND WINCH OPPOSITE



COATINGS	RH WINCH PART No.	LH WINCH PART No.
GALVANIZED	87726	87734

MODEL No.	PART No.	A	B	C	D	E	ØF	G	ØH	WT. (lbs.)
DF-156-60	REFER TO COATINGS TABLE	47"	23 1/4"	36"	36 1/4"	52"	14"	10 5/8"	24"	3500

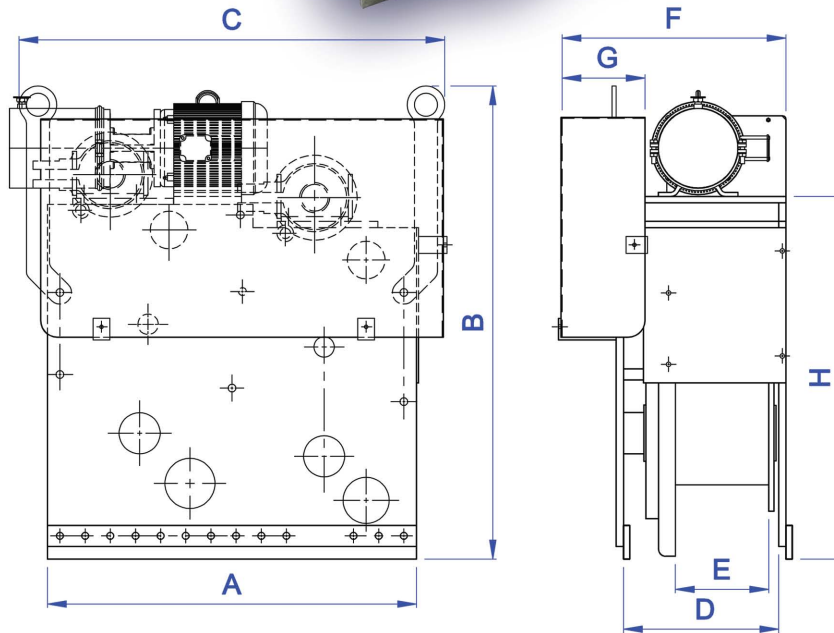
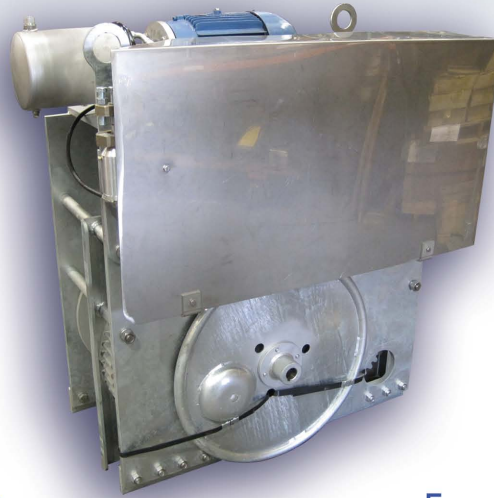
60 TON HYDRA-ELECTRIC WINCH

Nabrico Products
www.nabrico-marine.com

1250 Gateway Drive
Gallatin, Tennessee 37066
615-442-1300



NABRICO



COATINGS	RH WINCH PART No.	LH WINCH PART No.
GALVANIZED	84023	84022

MODEL No.	PART No.	A	B	C	D	E	F	G	H	WT. (lbs.)
DF-156-40-DD-HE	REFER TO COATING TABLE	44"	56 3/8"	50 3/4"	18 1/2"	11 1/8"	26 5/8"	9 7/8"	43 1/4"	3100

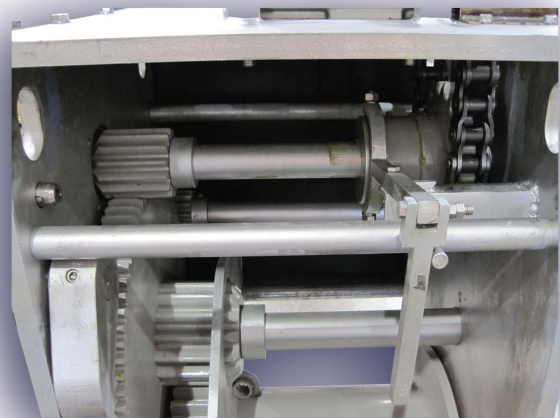
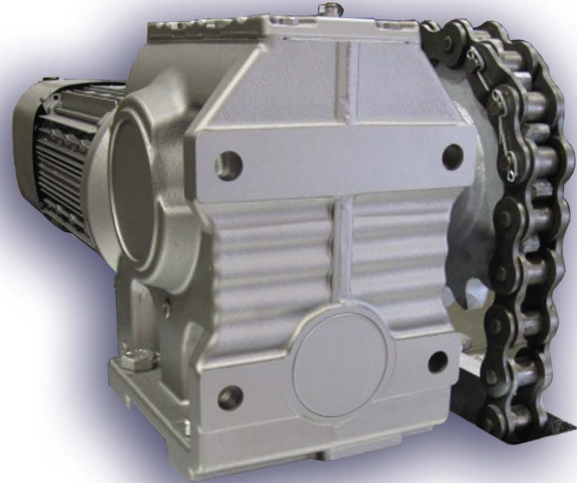
40 TON DOUBLE DRUM WINCH

Nabrico Products
www.nabrico-marine.com

1250 Gateway Drive
 Gallatin, Tennessee 37066
 615-442-1300



NABRICO



NABRICO's DF-1 Electric Spud winch has the same proven design as our DF-1 electric winch with some added features to handle the demands of a spud barge. A handwheel has been added to the winch for operation in the situations when the winch may not have power. In order to expedite lowering of the spud, a manual clutch has been installed along with a hand operated disc brake. This winch is available in our 40 and 65 ton styles. When ordering this winch, please specify length of spud travel, line speed, and line pull required.

SPUD WINCH

Nabrico Products
www.nabrico-marine.com

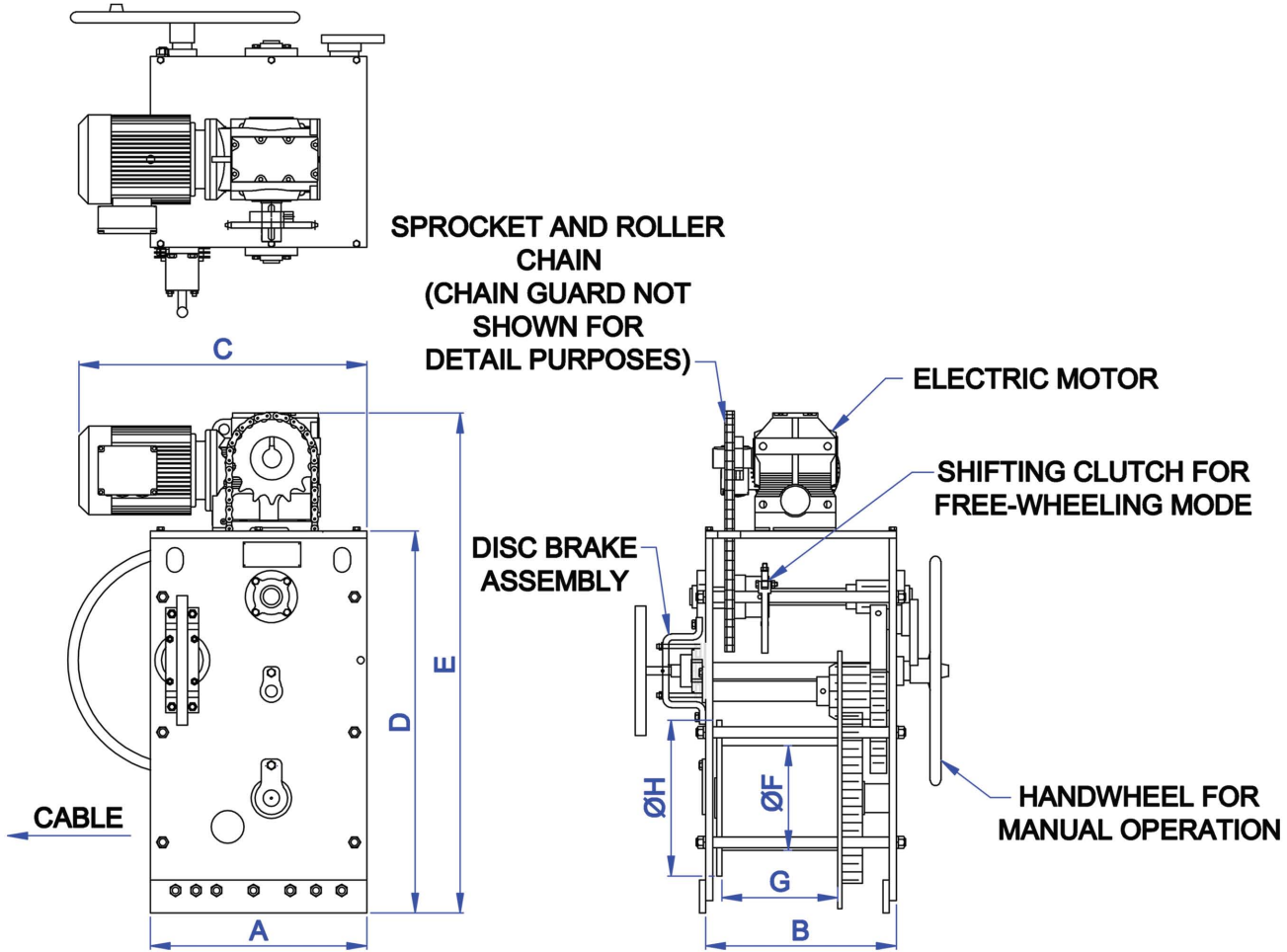
13

**1250 Gateway Drive
Gallatin, Tennessee 37066
615-442-1300**

The specifications and details described by drawings or text in this literature are subject to change without notice.



NABRICO



RIGHT HAND WINCH SHOWN
LEFT HAND WINCH OPPOSITE

COATINGS	RH WINCH PART No.	LH WINCH PART No.
GALVANIZED	84023	84022

MODEL No.	PART No.	A	B	C	D	E	ØF	G	ØH	WT. (lbs.)
DF-1-40	REFER TO COATINGS TABLE	26 3/8"	23 1/8"	34"	46 1/2"	61"	12 3/4"	14 1/8"	19"	2100

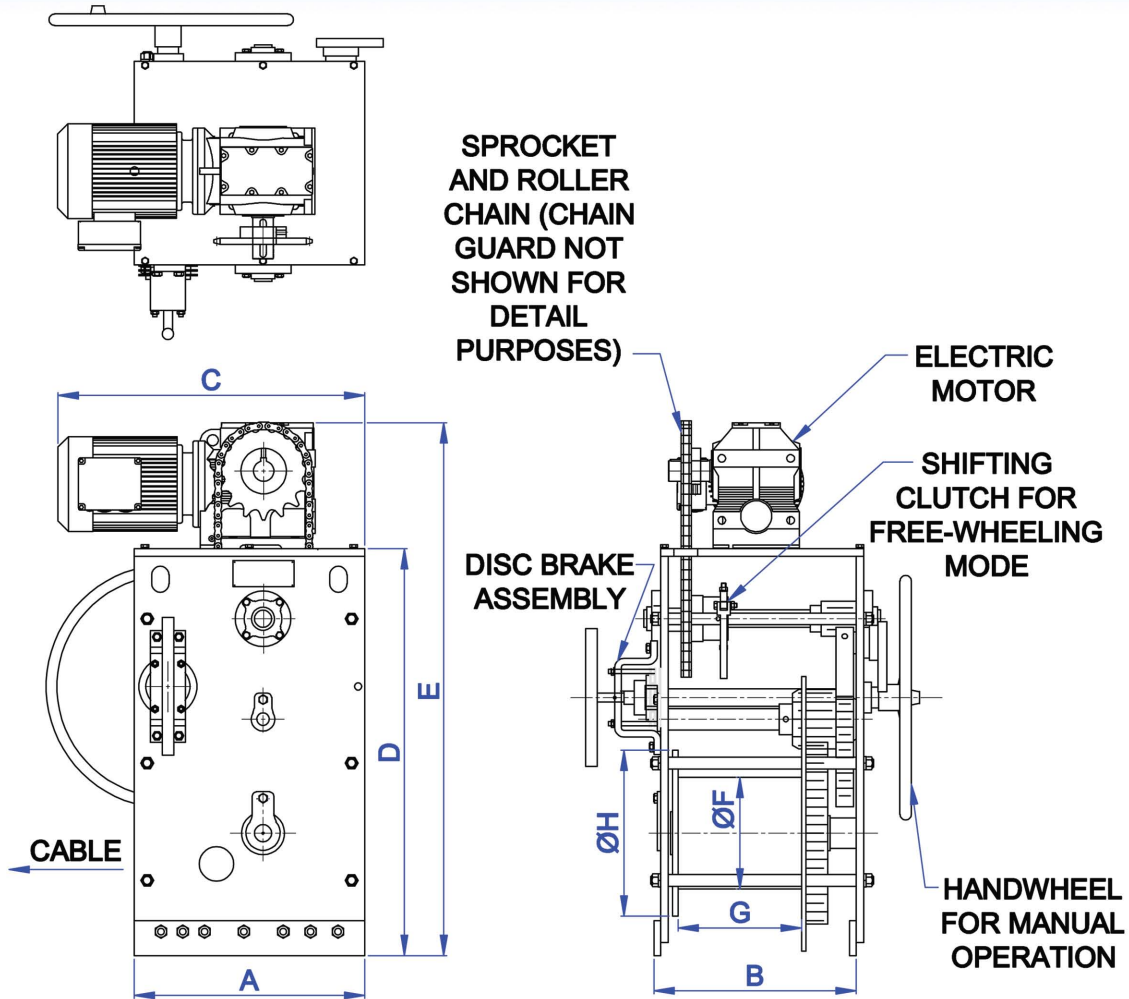
40 TON UPRIGHT SPUD WINCH

Nabrico Products
www.nabrico-marine.com

1250 Gateway Drive
Gallatin, Tennessee 37066
615-442-1300



NABRICO



RIGHT HAND WINCH SHOWN
LEFT HAND WINCH OPPOSITE

COATINGS	RH WINCH PART No.	LH WINCH PART No.
GALVANIZED	83403	83402

MODEL No.	PART No.	A	B	C	D	E	ØF	G	ØH	WT. (lbs.)
DF-1-65	REFER TO COATINGS TABLE	32"	26 1/8"	38 1/2"	56"	70 1/2"	14"	13 5/8"	24"	2800

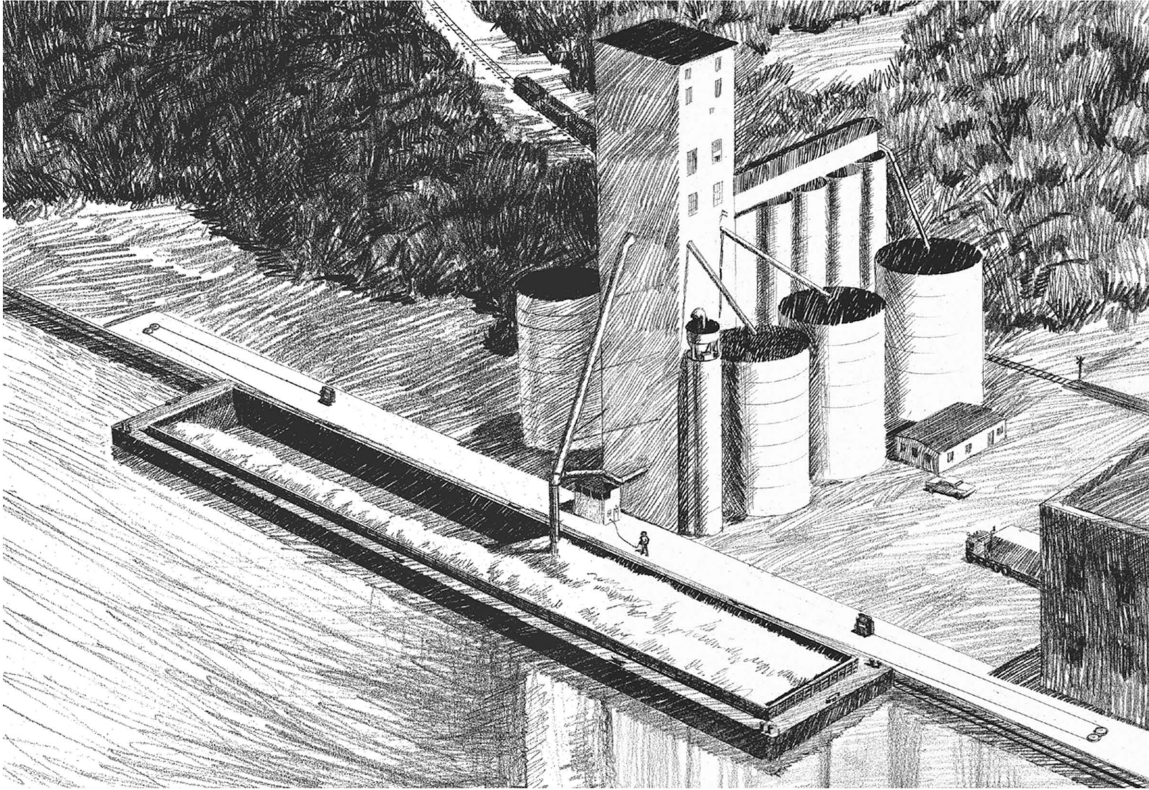
65 TON UPRIGHT SPUD WINCH

Nabrico Products
www.nabrico-marine.com

1250 Gateway Drive
Gallatin, Tennessee 37066
615-442-1300



NABRICO



NABRICO's all electric constant tension positioning winch system consists of two winches, two variable speed drives, variable speed motors, failsafe brakes, and PLC (programmable logic controls). These components have been engineered to allow one winch to be in a drive mode, pulling, while the other winch is in a torque mode, holding. When the object being positioned is at rest, both drives are in the torque mode, and the load holds its position on the dock, letting out cable during loading, and taking in cable during unloading. This also allows cable in and out as required during tide movement. The amount of torque/pull and speed on the cable is controlled by two potentiometers mounted on the control panel. The positioning winch system is capable of maintaining the full horsepower load at zero speed indefinitely. If there should be a loss of power or the emergency stop is pressed, the failsafe brakes hold the load.

BARGE POSITIONING SYSTEM

Nabrigo Products
www.nabrigo-marine.com

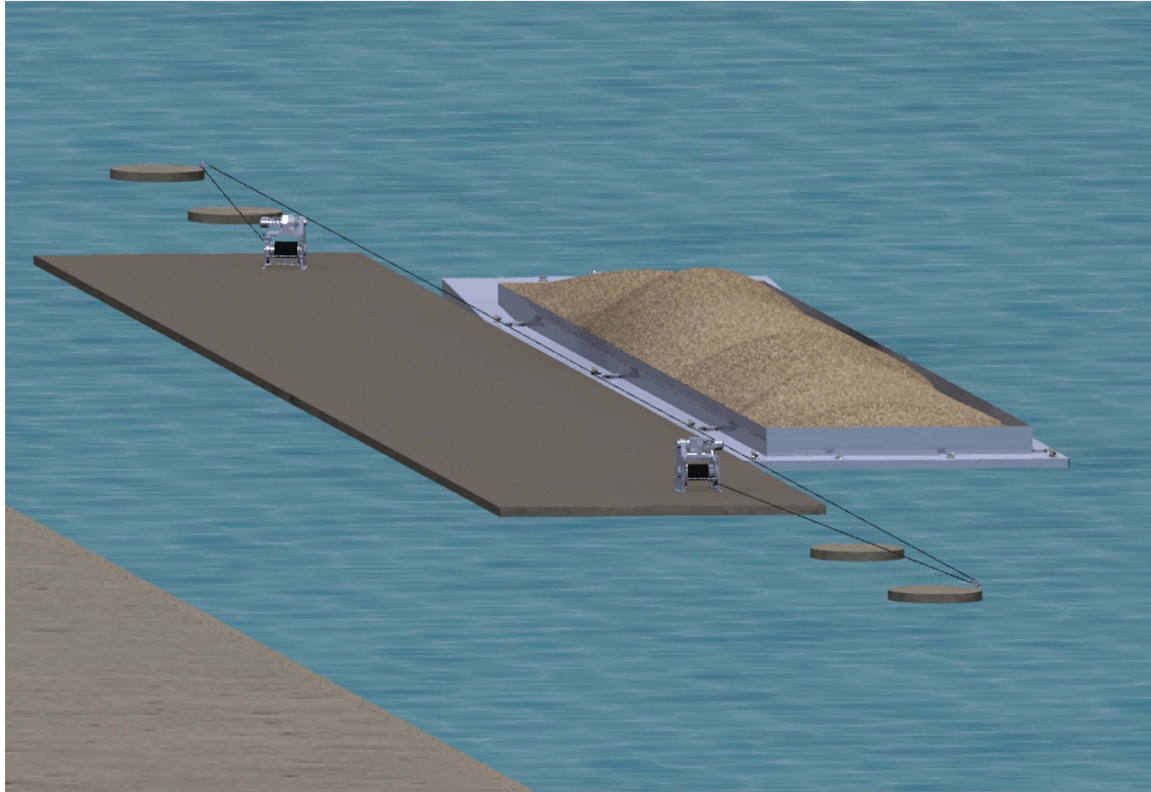
16

1250 Gateway Drive
Gallatin, Tennessee 37066
615-442-1300

The specifications and details described by drawings or text in this literature are subject to change without notice.



NABRICO



NABRICO has utilized proven winch designs with the latest drive and touch screen technology. Adjustable ramps have been programmed into the system to minimize the shock on the cable and hardware associated with starting and stopping. For additional information, drawings, and specifications contact NABRICO.

NABRICO pioneered the positioning winch system. In addition to the standard model, the system is available in a larger 50 horsepower model and in a smaller 10 horsepower model. Using various motor and gearbox combinations, the line pull and speed can be changed since the basic engineering in the panel and winch remain the same. The positioning winch has industrial, marine, and rail applications. The winch can produce a full horsepower load at zero speed indefinitely. If there should be a loss of power or the emergency stop is pressed, the failsafe brakes hold the load.

BARGE POSITIONING SYSTEM

Nabrigo Products
www.nabrigo-marine.com

17

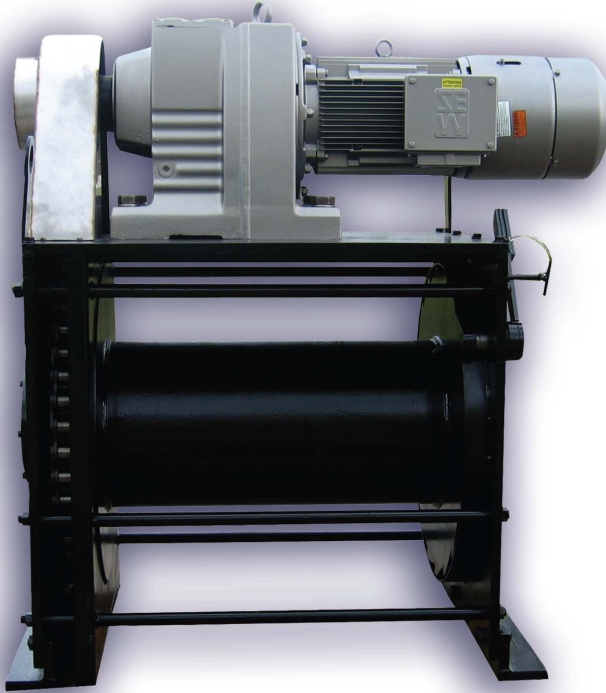
**1250 Gateway Drive
Gallatin, Tennessee 37066
615-442-1300**

The specifications and details described by drawings or text in this literature are subject to change without notice.



NABRICO

36" Chain Drive Positioning Winch



Control Cabinet for Winches

NABRICO's most technologically advanced winches, backed by more than a century of recognizing and meeting the needs of the towing and transportation industries, provide an infinite number of line pulls and line speeds. The standard model has a starting capacity of 24,000 lbs., with 16,000 lbs. of constant tension at 30 fpm. Drum capacity is substantial, varying from 572 to 1328 feet. Accessible, clearly marked controls are available in a wireless, wired remote, or local configuration.



CABLE CAPACITY			LINE SPEED	LINE PULL
CABLE SIZE	24" DRUM WIDTH	36" DRUM WIDTH		
3/4"	877	1328	STANDARD: INFINITELY VARIABLE FROM 0-30 FPM. CUSTOM APPLICATION UP TO 100 FPM.	STANDARD INFINITELY VARIABLE LINE PULL 48,000 LBS, AT MOTOR STALL; 24,000 LBS. STARTING AND 16,000 LBS. CONTINUOUS. CUSTOM APPLICATIONS ARE AVAILABLE
7/8"	768	1165		
1"	686	1043		
1 1/8"	623	948		
1 1/4"	572	872		

NOTE: THE CAPACITIES GIVEN ABOVE ARE BASED ON UNIFORM ROPE WINDING TO FIVE (5) LAYERS. TENSION APPLIED DURING SPOOLING WILL ALSO AFFECT THE LENGTH.

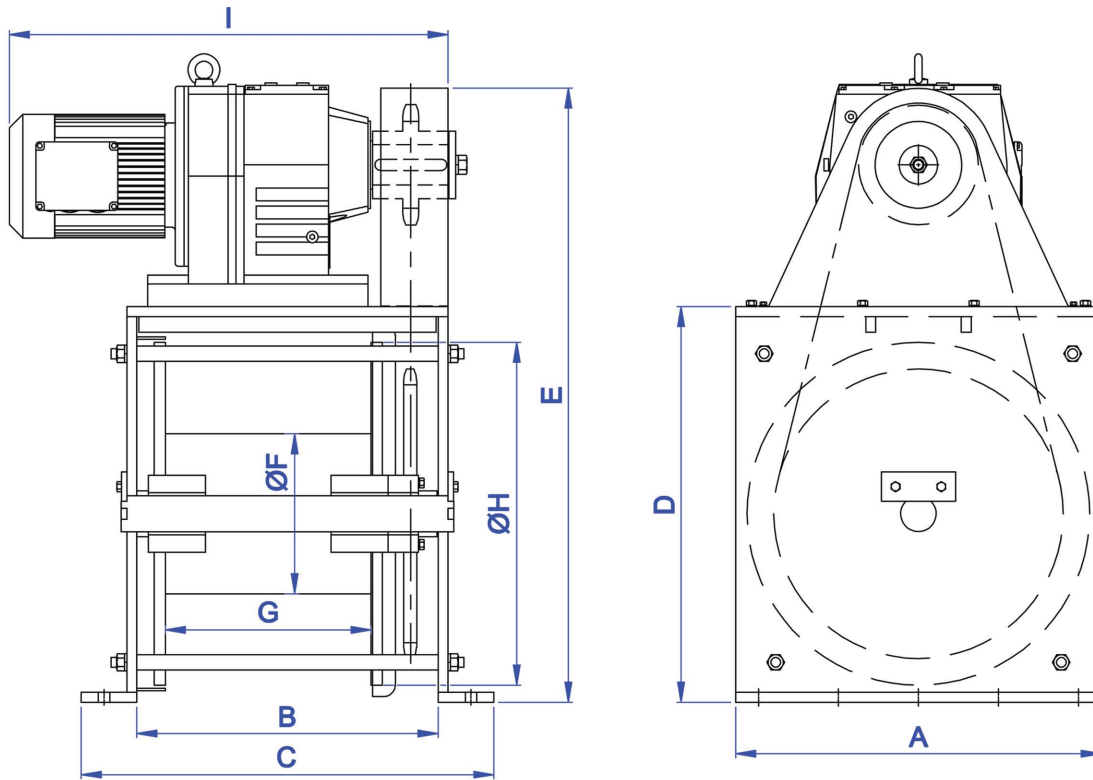
BARGE POSITIONING SYSTEM

Nabrico Products
www.nabrico-marine.com

1250 Gateway Drive
 Gallatin, Tennessee 37066
 615-442-1300



NABRICO



MODEL No.	PART No.	A	B	C	D	E	ØF	G	ØH	I	WT. (lbs.)
DF-CD-BMW-18	40031	32"	26 3/8"	36 1/8"	34 5/8"	54 1/8"	14"	18"	30"	38 1/2"	3000

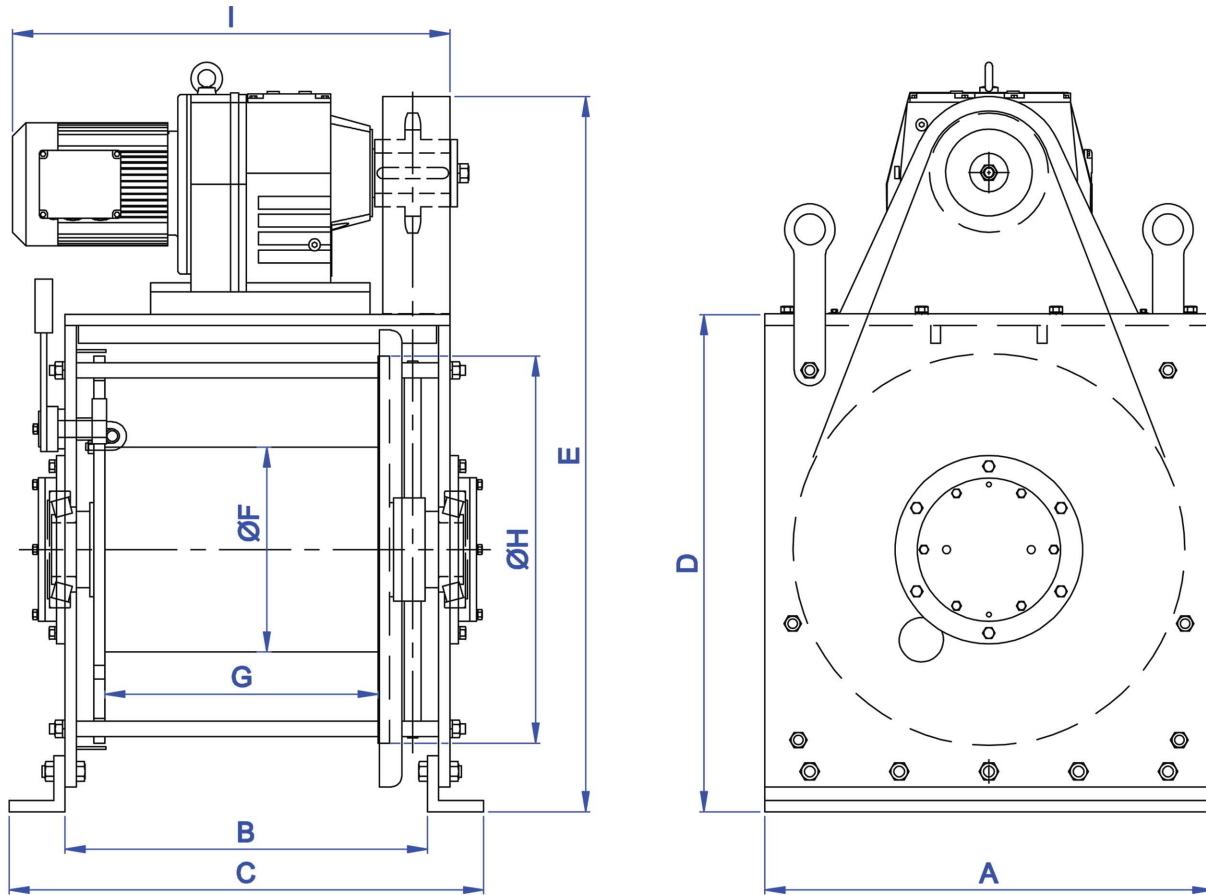
BARGE POSITIONING WINCH (18" DRUM)

Nabrico Products
www.nabrico-marine.com

1250 Gateway Drive
 Gallatin, Tennessee 37066
 615-442-1300



NABRICO



MODEL No.	PART No.	A	B	C	D	E	ØF	G	ØH	I	WT. (lbs.)
DF-CD-BMW-24	40033	39 3/8"	31 7/8"	41 11/16"	43 3/4"	62 7/8"	18"	24"	34"	38 1/2"	4000

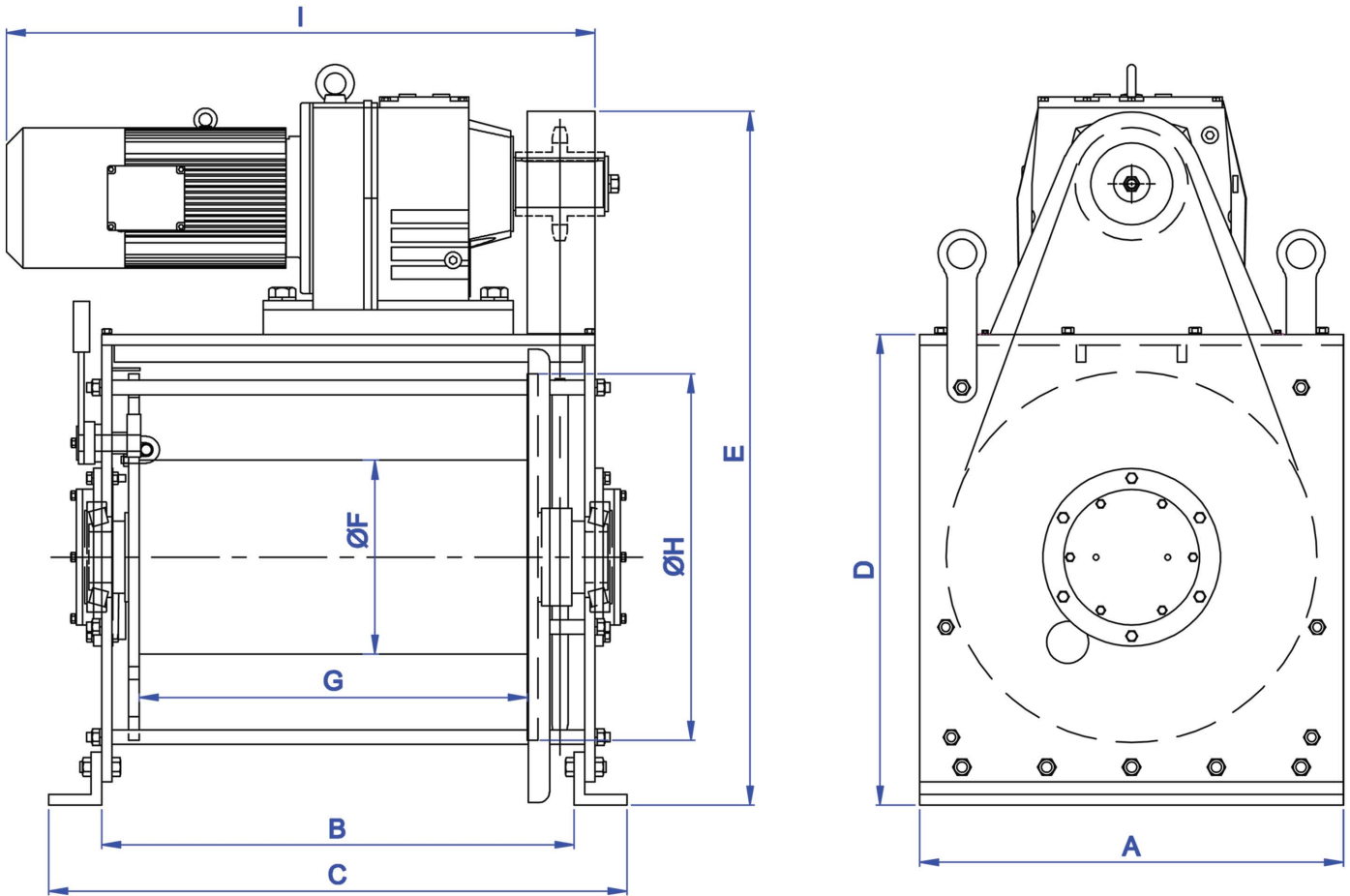
BARGE POSITIONING WINCH (24" DRUM)

Nabrico Products
www.nabrico-marine.com

1250 Gateway Drive
 Gallatin, Tennessee 37066
 615-442-1300



NABRICO



MODEL No.	PART No.	A	B	C	D	E	ØF	G	ØH	I	WT. (lbs.)
DF-CD-BMW-36	40038	39 3/8"	43 7/8"	53 11/16"	43 3/4"	65 3/4"	18"	36"	34"	57 5/8"	4500

BARGE POSITIONING WINCH (36" DRUM)

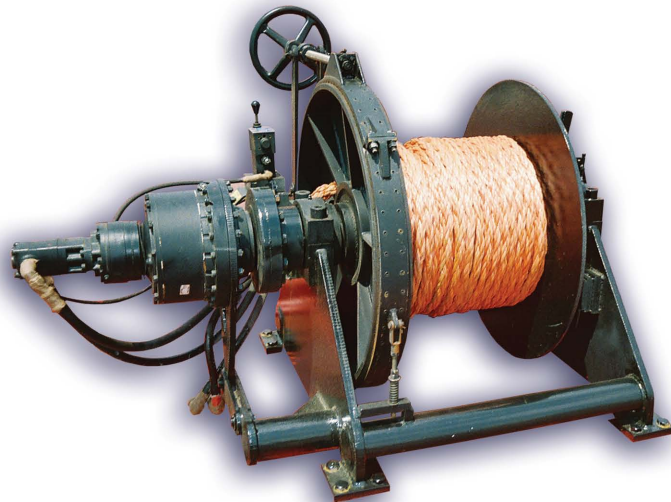
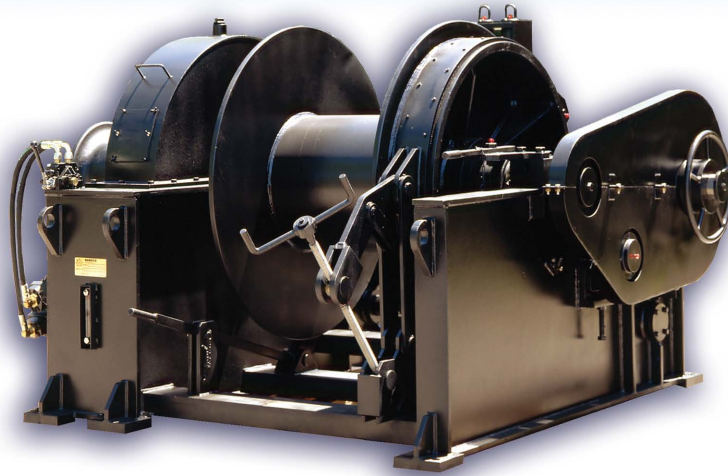
Nabrico Products
www.nabrico-marine.com

1250 Gateway Drive
 Gallatin, Tennessee 37066
 615-442-1300

The specifications and details described by drawings or text in this literature are subject to change without notice.



NABRICO



NABRICO is a full line supplier of electric and hydraulic anchor winches, mooring winches, and windlasses. We will custom fit each anchor winch, mooring winch, or windlass to your specific application to ensure the best possible configuration. Our winches can be fitted with warping heads and level winds along with many of our other standard features such as a locking dog, drum band brake, and a three coat zinc and epoxy paint system. NABRICO's hydraulic anchor winches can also be equipped with an electric auxiliary power source to operate the winch in case of a hydraulic failure. Please contact NABRICO for a quote specified to meet your requirements.

ANCHOR WINCHES

Nabrico Products
www.nabrico-marine.com

22

**1250 Gateway Drive
Gallatin, Tennessee 37066
615-442-1300**

The specifications and details described by drawings or text in this literature are subject to change without notice.



NABRICO



SPECIFY THE FOLLOWING INFORMATION TO DETERMINE THE SIZE AND SPEED OF YOUR ANCHOR WINCH:

MODEL SHOWN

CABLE SIZE _____
DRUM CAPACITY _____
LINE PULL (FIRST LAYER) _____
LINE SPEED _____
MOTOR TYPE _____
OF GYPSY HEADS _____
GYPSY HEAD SIZE _____

MODEL DF-AW-1200-30-2/16H
CABLE SIZE 1-7/8 Inch
DRUM CAPACITY 1200 Ft.
LINE PULL (FIRST LAYER) 25,000 Lbs. @ 2400 PSI
LINE SPEED 30 FPM
MOTOR TYPE HYDRAULIC
OF GYPSY HEADS TWO
GYPSY HEAD SIZE 16 INCH

- HYDRAULIC OR ELECTRIC MOTOR WITH FAIL SAFE MOTOR BRAKE
- 4-WAY CONTROL VALVE MOUNTED AND PIPED ON THE WINCH
- MANUALLY OPERATED BAND BRAKE WITH STAINLESS STEEL BRAKE AND STEEL HAND WHEEL
- LEVER OPERATED MACHINED JAW CLUTCH
- WIRE ROPE LEVEL WIND FOR UNIFORM LAY OF WIRE ON THE DRUM
- RATCHET AND PAWL TYPE HOLDING DOG ON THE DRUM
- FABRICATED STEEL CONSTRUCTION.
- THREE COAT ZINC AND EPOXY PAINT SYSTEM.
- ELECTRIC OR HYDRAULIC POWER.

- JAW CLUTCHED DRUM.
- SINGLE OR DOUBLE WARPING HEADS.
- HYDRAULIC MOTOR WITH FAIL SAFE MOTOR BRAKE.
- SPUR GEAR REDUCTION OPERATING IN OIL BATH.
- LEVEL WIND AVAILABLE.
- DRUM BAND BRAKE AND HOLDING DOG.
- DRUM CAPACITY AND LINE PULL TO MEET CUSTOMER REQUIREMENTS.
- OTHER SIZES AND FEATURES AVAILABLE.
- OTHER AVAILABLE OFFSHORE DECK MACHINERY: MOORING WINCHES, TOWING WINCHES, ANCHORS, CHAIN AND CAPSTANS.
- CONTACT NABRICO WITH YOUR SPECIFIC REQUIREMENTS.

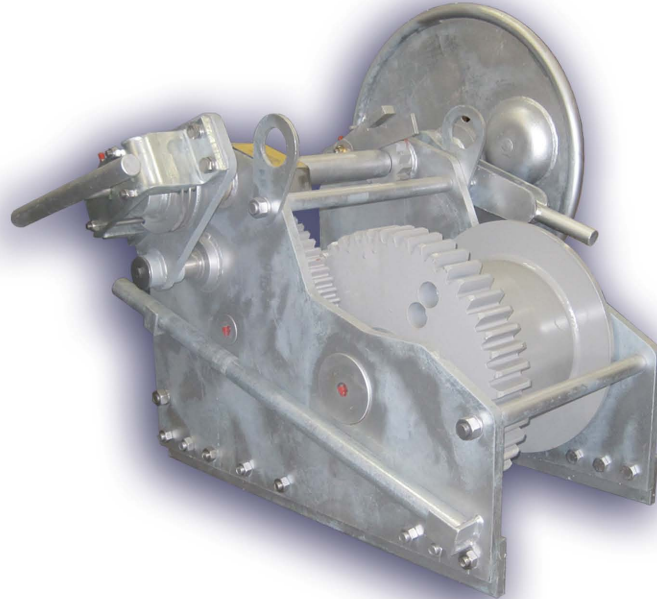
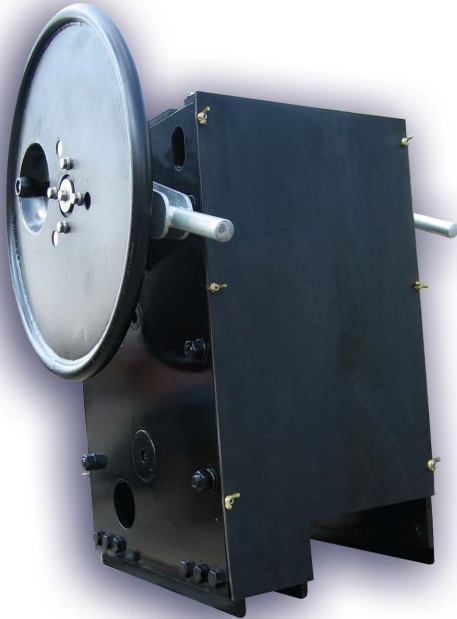
ANCHOR WINCHES

Nabrico Products
www.nabrico-marine.com

1250 Gateway Drive
Gallatin, Tennessee 37066
615-442-1300



NABRICO



NABRICO provides the extra hands you need for fast and sure tow make-up and breakdown with a complete line of hand winches in both left and right hand models (except 2/5 ton winches). Our DF-3 winch features the same trusted parts as our DF-156 winch in a more compact design. NABRICO manual winches are available in 2, 5, 10, 20, 30, 40, and 60 ton holding capacities. NABRICO has a hand winch to meet the particular needs of your job or installation.

Match a NABRICO hand winch to your needs and available space and you're ready to go to work. For installation purposes, all dimensions should be verified.

MANUAL WINCHES

Winches portrayed in drawings, photographs and copy are not designed for lifting or lowering persons or equipment

Nabrigo Products
www.nabrigo-marine.com

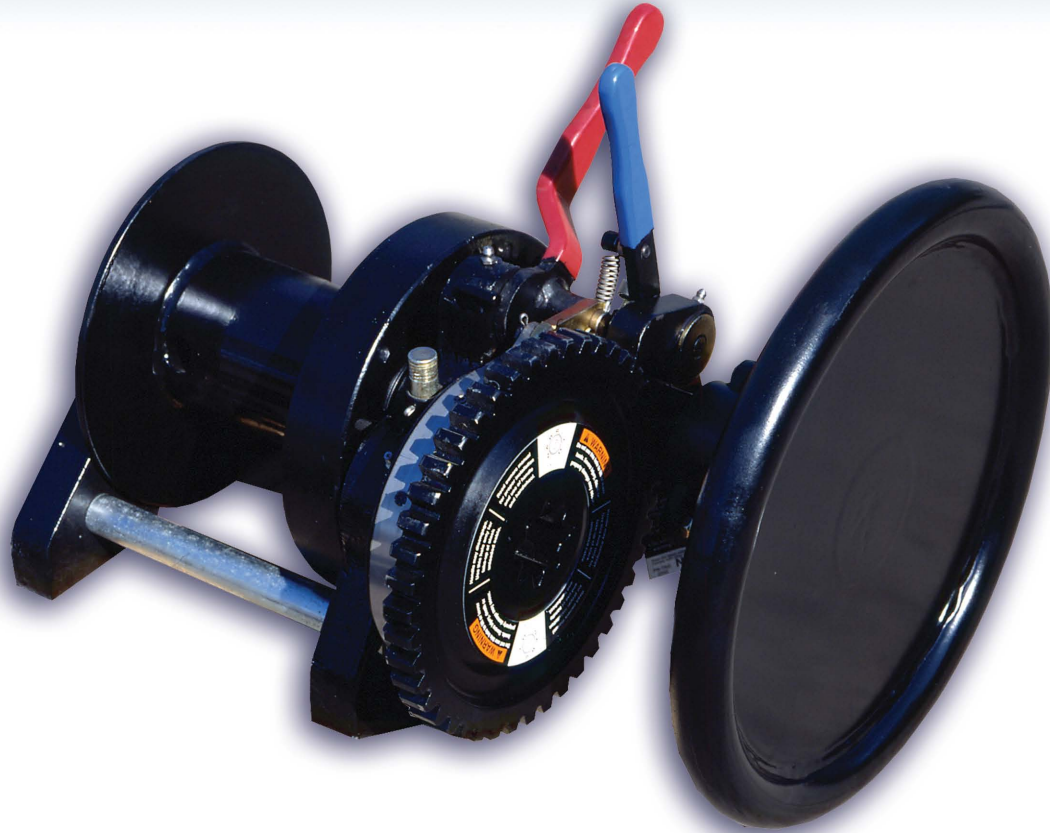
24

1250 Gateway Drive
Gallatin, Tennessee 37066
615-442-1300

The specifications and details described by drawings or text in this literature are subject to change without notice.



NABRICO



MODEL No.	LINE PULL SLOW SPEED	LINE PULL FAST SPEED	SHOCK LOAD	HAND BRAKE HOLDING OR DOG
2 Ton	4025	3500	3800 (3 foot drop)	6000
5 Ton	10000	8500	8250 (3 foot drop)	14000

ALL ABOVE NUMBERS ARE POUNDS

CABLE CAPACITY (FULL DRUM)							
MODEL No.	DRUM WIDTH	1/4	5/16	3/8	7/16	1/2	WEIGHT
2 Ton	6"	275	200	105	100	60	65
5 Ton	6"			300	200	170	116

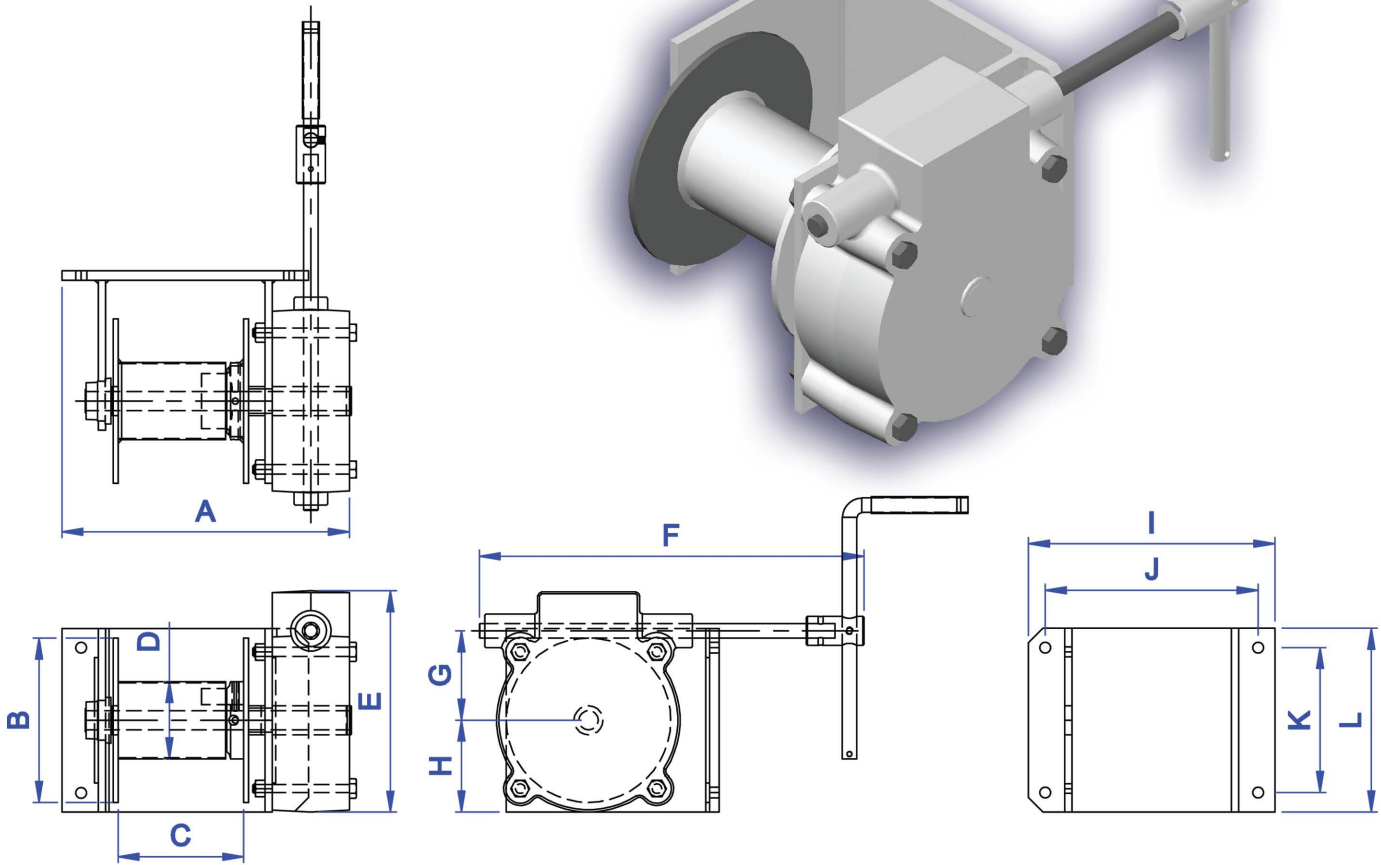
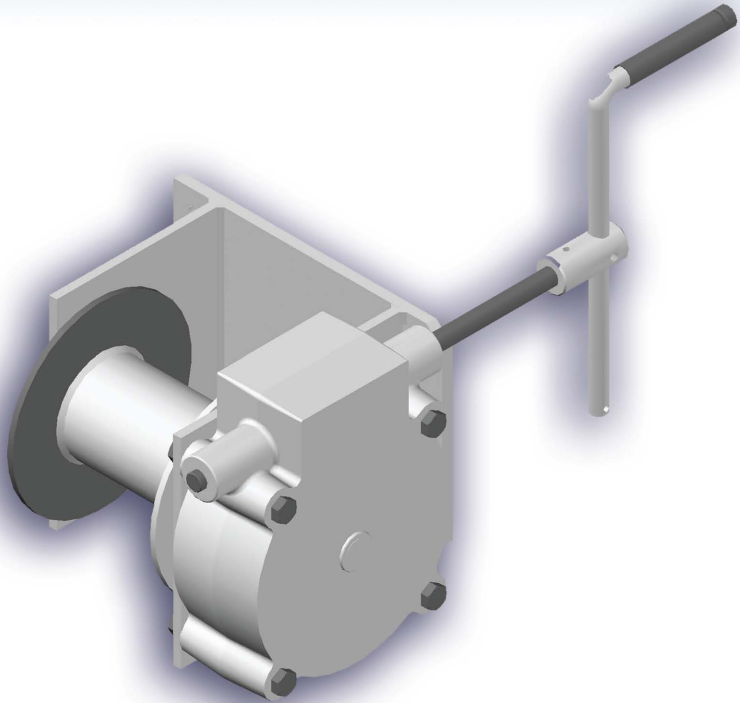
2 AND 5 TON MANUAL WINCH

Nabrico Products
www.nabrico-marine.com

1250 Gateway Drive
 Gallatin, Tennessee 37066
 615-442-1300



NABRICO



MODEL No.	PART No.	A	B	C	D	E	F	G	H	I	J	K	L	WT. (lbs.)
DF-7	15557	15"	8 1/2"	6 1/2"	4"	11 1/2"	19 7/8"	4 1/2"	4 3/4"	12 3/4"	11"	7 1/2"	9 1/2"	120

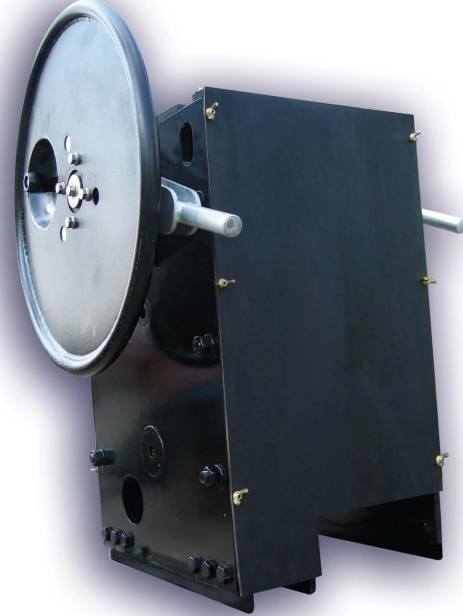
2 TON MANUAL WINCH ASSY.

Nabrico Products
www.nabrico-marine.com

1250 Gateway Drive
 Gallatin, Tennessee 37066
 615-442-1300



NABRICO



- REVOLUTIONARY NEW HIGH LOAD RELEASE DOG SYSTEM.
- HIGH LOAD RELEASE BRAKE WITH SECONDARY ANTI-BACKLASH DRAG BRAKE THAT IS ACTIVATED AUTOMATICALLY WITH THE RELEASE OF THE DOG.
- HIGH LOAD RELEASE BRAKE IS A MULTI-DISC SYSTEM THAT INCORPORATES ALL STAINLESS STEEL PARTS.
- FASTEST ACTING AND MOST POWERFUL BRAKE AVAILABLE.
- 4 BOLT LUG REMOVABLE HANDWHEEL.
- NEW SIMPLER HEAVY DUTY RATCHET ASSEMBLY WITH NO SPRINGS OR LEVERS.

- MINIMAL MAINTENANCE.
- EASY TO REPAIR.
- ALL STAINLESS STEEL AND SILICON BRONZE FASTENERS INCLUDING SEPARATOR RODS.
- 3-PLY CONVEYOR BELT COVERS (DAMAGE AND CORROSION RESISTANT).
- GALVANIZED COATING AVAILABLE.
- SALTWATER PACKAGE STANDARD WITH 3-STOP PAINT SYSTEM.
- HEAVIEST WINCH IN ITS CLASS.
- TRUE RIGHT AND LEFT HAND MODELS FOR USE IN PAIRS.
- TOTALLY ENCLOSED DRIVE TRAIN WITH THE SMALLEST DECK FOOTPRINT IN THE INDUSTRY.

MODEL No.	HOLDING-DOG &/OR BRAKE	LINE PULL @ FIRST LAYER WITH ONE MAN		DRUM CAPACITIES (FT)				WEIGHT LBS	DIMENSIONAL DATA		
		HAND WHEEL	RATCHET W/STD. EXT.	5/8"	3/4"	7/8"	1"		W	L	H
DF-3-30	30 TONS	14000	22000	233	141	123	67	1109	19 3/8"	22"	35 1/2"
DF-3-40	40 TONS	14000	18000	285	173	150	83	1567	20 1/8"	23 1/4"	43 1/2"

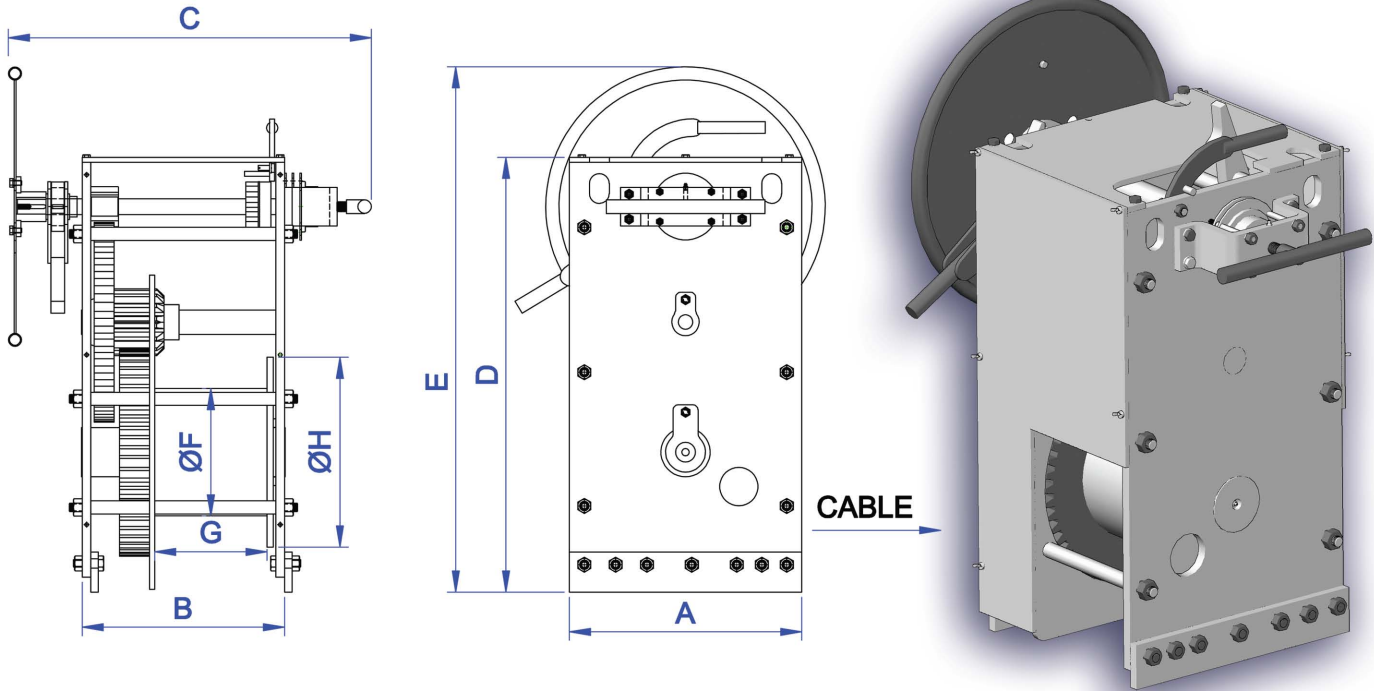
DF-3 MANUAL WINCH

Nabrico Products
www.nabrico-marine.com

1250 Gateway Drive
 Gallatin, Tennessee 37066
 615-442-1300



NABRICO



LEFT HAND WINCH SHOWN
RIGHT HAND WINCH OPPOSITE

COATINGS	RH WINCH PART No.	LH WINCH PART No.
PAINTED BLACK	94241	94242
GALVANIZED	94243	94244

MODEL No.	PART No.	A	B	C	D	E	ØF	G	ØH	WT. (lbs.)
DF-3-30	REFER TO COATINGS TABLE	22"	19 3/8"	33 1/2"	35 1/2"	44 9/16"	10 3/4"	11"	16"	1065

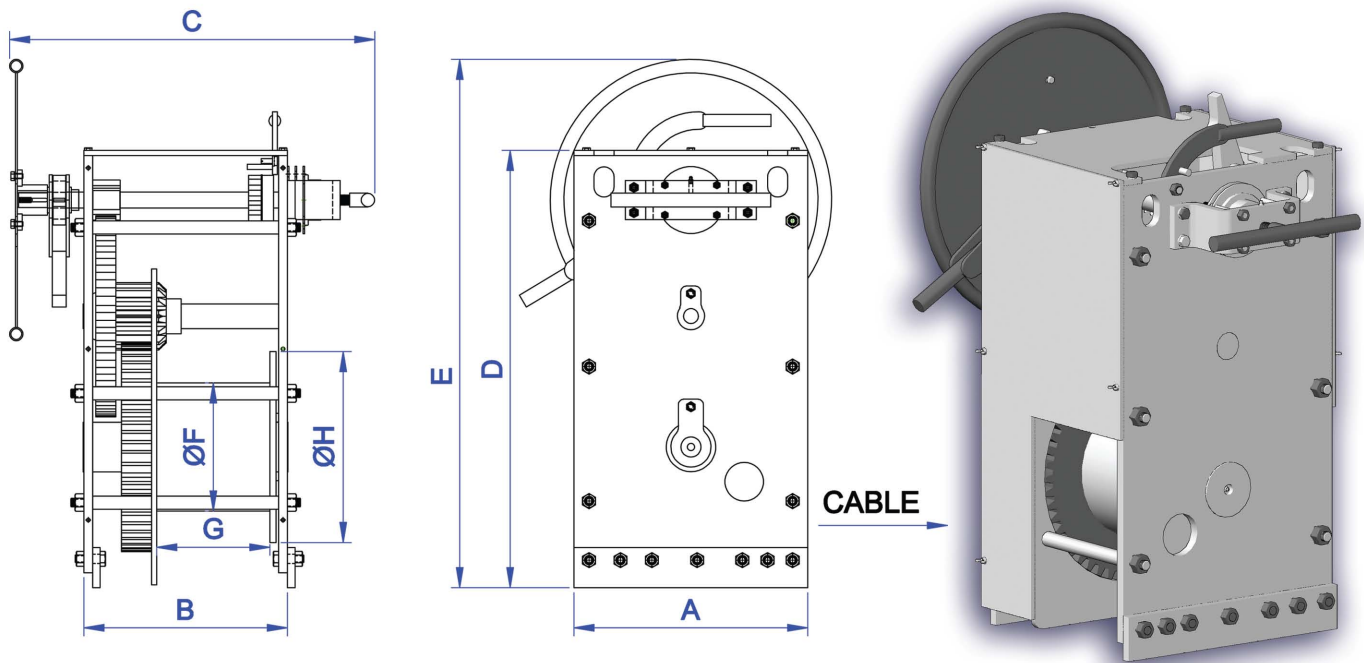
30 TON UPRIGHT MANUAL WINCH

Nabrico Products
www.nabrico-marine.com

1250 Gateway Drive
Gallatin, Tennessee 37066
615-442-1300



NABRICO



LEFT HAND WINCH SHOWN
RIGHT HAND WINCH OPPOSITE

COATINGS	RH WINCH PART No.	LH WINCH PART No.
PAINTED BLACK	94237	94238
GALVANIZED	94239	94240

MODEL No.	PART No.	A	B	C	D	E	ØF	G	ØH	WT. (lbs.)
DF-3-40	REFER TO COATINGS TABLE	23 1/4"	20 1/8"	36 1/16"	43 1/2"	52 9/16"	12 3/4"	11 1/4"	19"	1525

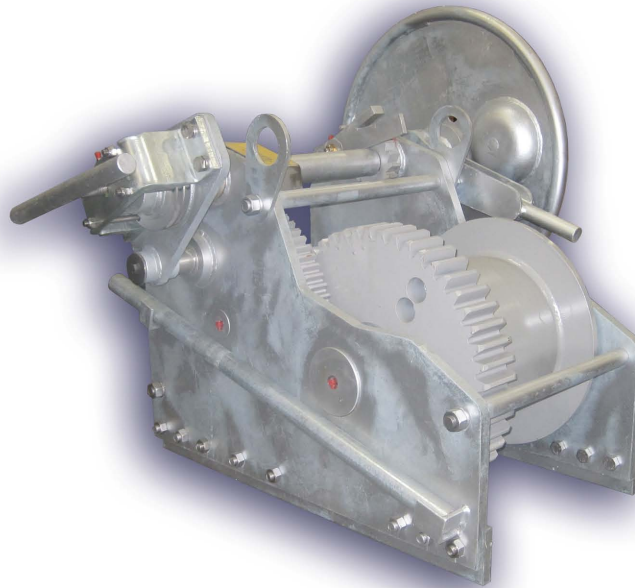
40 TON UPRIGHT MANUAL WINCH

Nabrico Products
www.nabrico-marine.com

1250 Gateway Drive
Gallatin, Tennessee 37066
615-442-1300



NABRICO



FEATURES

- All steel construction.
- High load release brake is a multi-disc system that incorporates all stainless steel moving parts.
- Fastest acting and most powerful brake available.
- 4 bolt hub removable handwheel.
- Simpler heavy duty ratchet assembly with no springs or levers.
- Bronze bushed bearings.
- Alemite fittings for proper lubrication.
- True left and right hand model for use in pairs.
- Blasted and painted, galvanized and other coatings available.

MODEL	MOUNT	DOG HOLDING (1)	LINE PULL		GEAR RATIO	DRUM FLANGE DIAM.	DRUM	
			HAND WHEEL ONE MAN	RACHET W/STANDARD EXTENSION			DIAM.	WIDTH (2)
DF-156		S.T.	LBS.	LBS.		IN.	IN.	IN.
10-6-M	Right/Left	10	5,200	7,000	5.57:1	18	8.625	6.0
20-7-M	Right/Left	20	14,000	14,400	18.57:1	16	10.75	7.25
40-11-M	Right/Left	40	14,000	17,800	18.57:1	19	12.75	11.25
40-18-M	Right/Left	40	14,000	17,800	18.57:1	19	12.75	18.125
60-11-M	Right/Left	60	24,000	28,800	27.0:1	24	14.00	10.625

MODEL	DRUM CAPACITIES (FT.)									WEIGHT (LBS.)
	CABLE SIZE									
	7/16	1/2	5/8	3/4	7/8	1	1-1/8	1-1/4	1-1/2	
DF-156										
10-6-M	353	317	174	129	-	-	-	-	-	500
20-7-M	270	186	109	57	39	21	-	-	-	850
40-11-M	-	-	287	176	130	84	36	26	-	1250
40-18-M	-	-	463	279	151	139	58	51	-	1350
60-11-M	-	-	572	325	262	200	119	111	62	2100

1. HOLDING AND LINE PULL RATINGS ARE FOR FIRST LAYER OF CABLE.
2. WIDER DRUM WIDTHS AVAILABLE ON REQUEST.

DF-156 MANUAL WINCHES

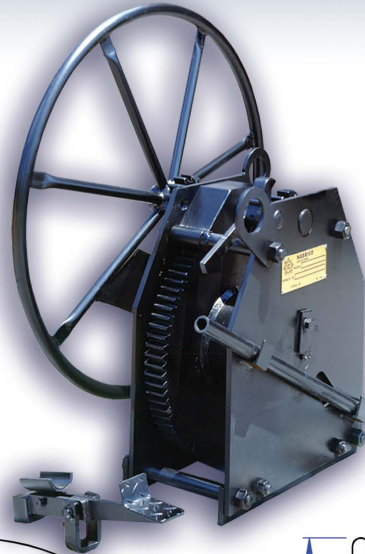
Winches portrayed in drawings, photographs and copy are not designed for lifting or lowering persons or equipment

Nabrico Products
www.nabrico-marine.com

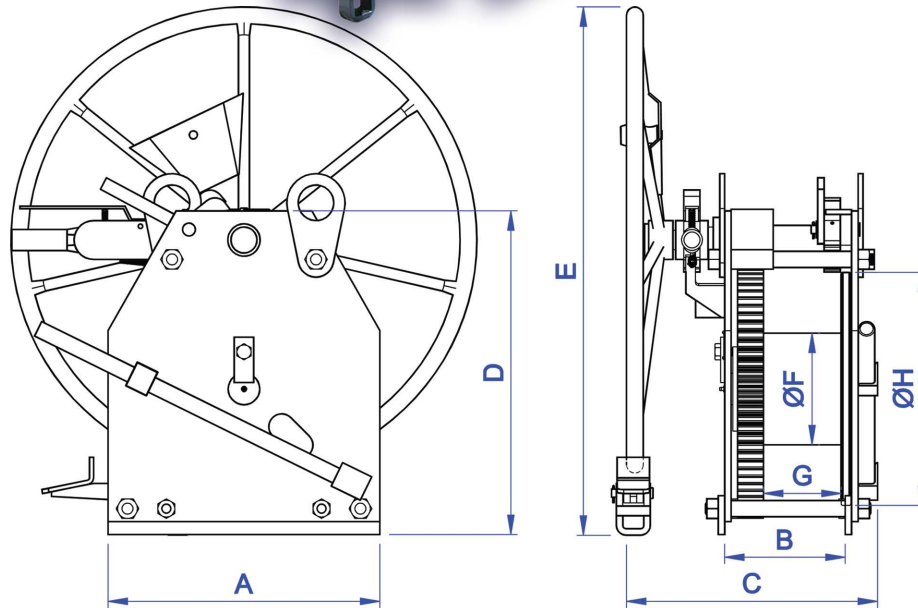
1250 Gateway Drive
 Gallatin, Tennessee 37066
 615-442-1300



NABRICO



LEFT HAND WINCH SHOWN
RIGHT HAND WINCH OPPOSITE



COATINGS	RH WINCH PART No.	LH WINCH PART No.
PAINTED BLACK	70971	15326
GALVANIZED	6591	6590

MODEL No.	PART No.	A	B	C	D	E	ØF	G	ØH	WT. (lbs.)
DF-156-10	REFER TO COATINGS TABLE	21"	10 5/16"	18 1/8"	24"	40 3/8"	8 5/8"	6"	18"	500

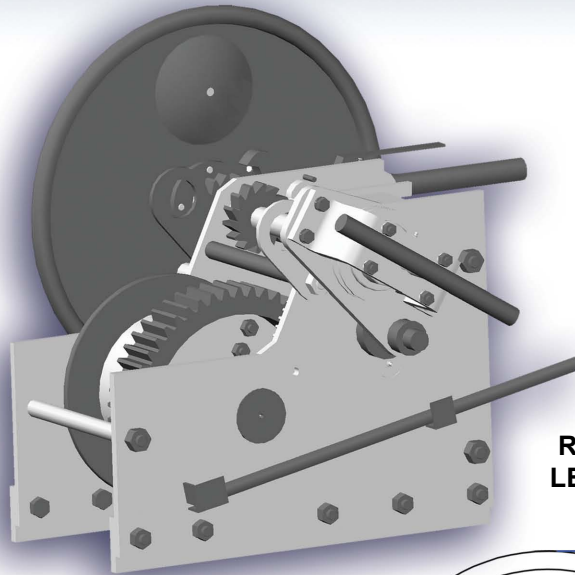
10 TON MANUAL WINCH

Nabrico Products
www.nabrico-marine.com

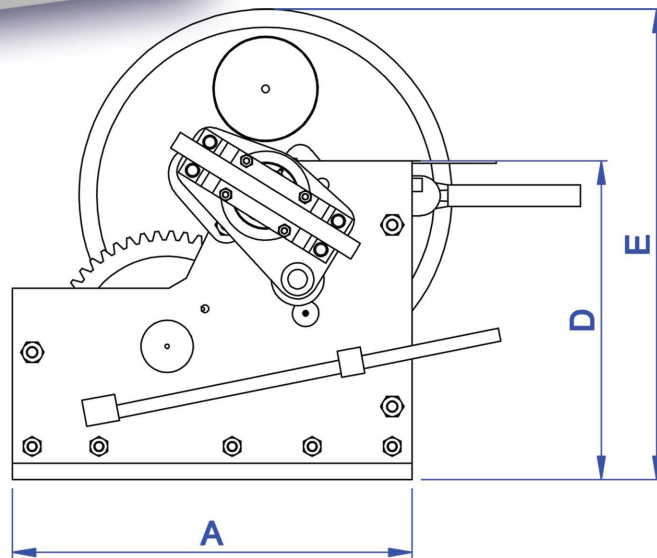
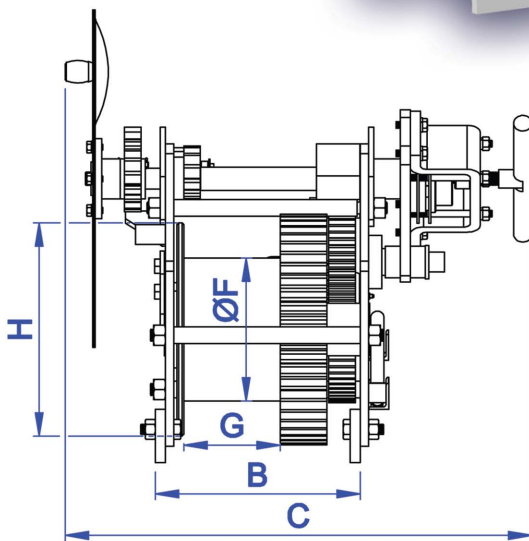
1250 Gateway Drive
Gallatin, Tennessee 37066
615-442-1300



NABRICO



RIGHT HAND WINCH SHOWN
LEFT HAND WINCH OPPOSITE



COATINGS	RH WINCH PART No.	LH WINCH PART No.
PAINTED BLACK	71503	6601
GALVANIZED	87509	87510

MODEL No.	PART No.	A	B	C	D	E	ØF	G	ØH	WT. (lbs.)
DF-156-20	REFER TO COATINGS TABLE	30"	15 3/8"	33"	24"	34"	10 3/4"	7 1/4"	16"	850

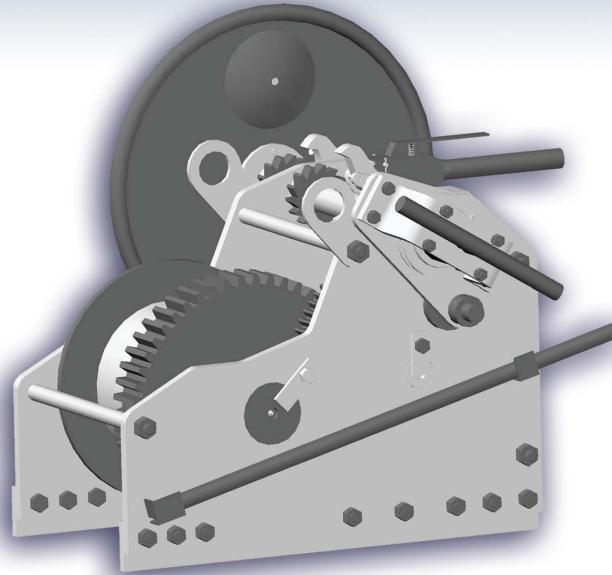
20 TON MANUAL WINCH

Nabrico Products
www.nabrico-marine.com

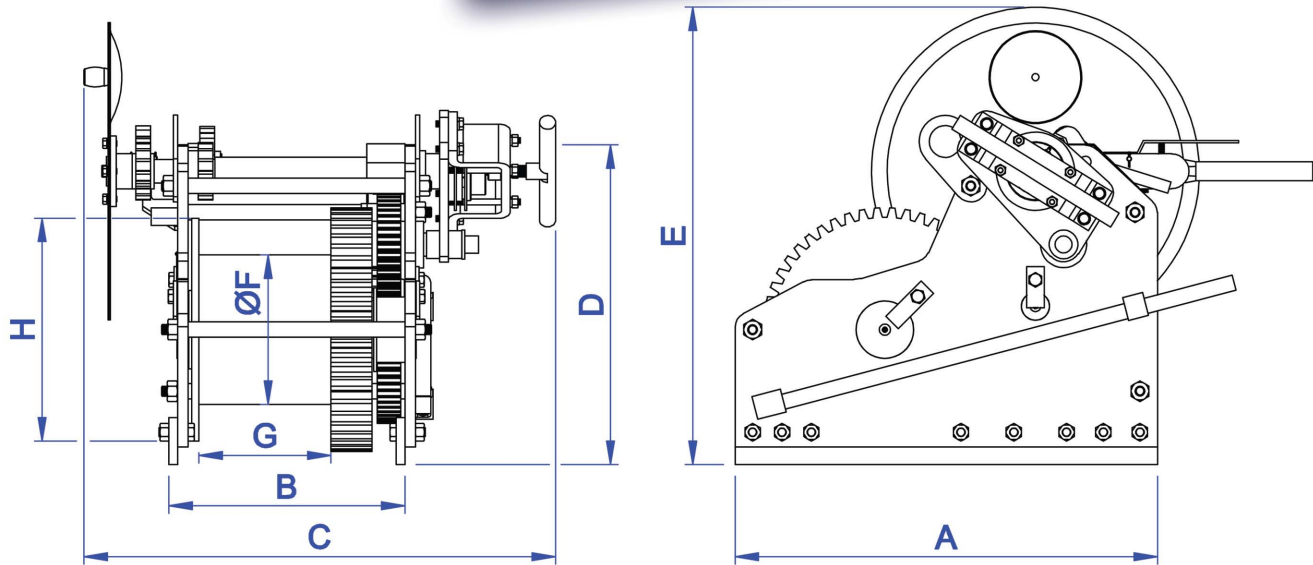
1250 Gateway Drive
Gallatin, Tennessee 37066
615-442-1300



NABRICO



RIGHT HAND WINCH SHOWN
LEFT HAND WINCH OPPOSITE



COATINGS	RH WINCH PART No.	LH WINCH PART No.
PAINTED BLACK	94213	94212
GALVANIZED	94224	94223

MODEL No.	PART No.	A	B	C	D	E	ØF	G	ØH	WT. (lbs.)
DF-156-40	REFER TO COATINGS TABLE	36"	20 1/8"	42"	27 1/4"	39"	12 3/4"	11 1/4"	19"	1250

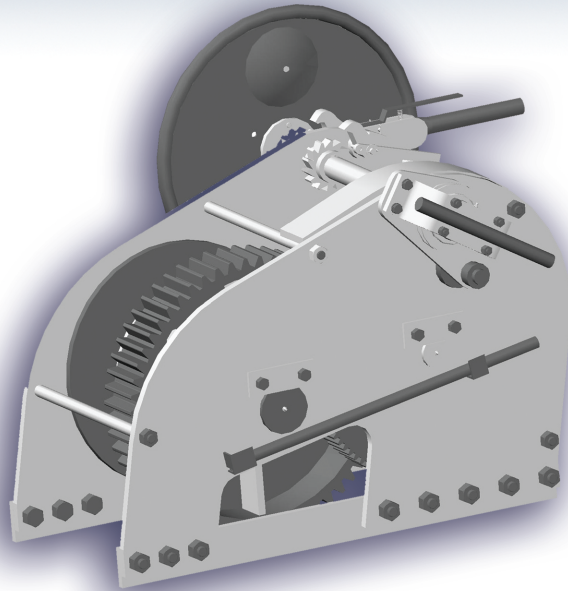
40 TON MANUAL WINCH

Nabrico Products
www.nabrico-marine.com

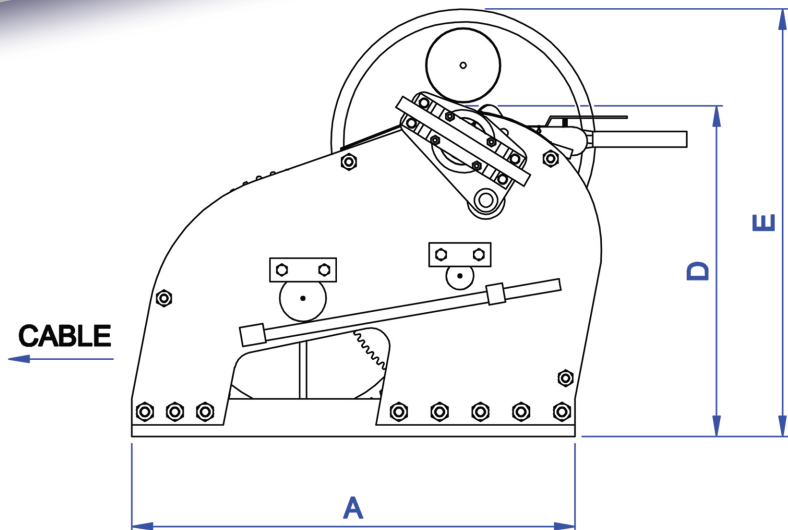
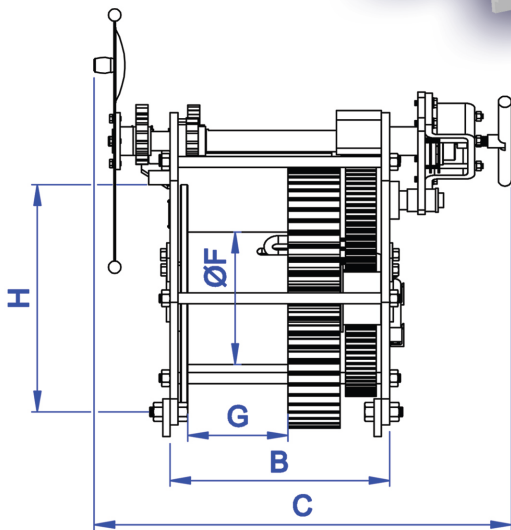
1250 Gateway Drive
Gallatin, Tennessee 37066
615-442-1300



NABRICO



RIGHT HAND WINCH SHOWN
LEFT HAND WINCH OPPOSITE



COATINGS	RH WINCH PART No.	LH WINCH PART No.
PAINTED BLACK	72043	6528
GALVANIZED	72044	6529

MODEL No.	PART No.	A	B	C	D	E	ØF	G	ØH	WT. (lbs.)
DF-156-60	REFER TO COATINGS TABLE	49 1/8"	23 1/4"	45"	35"	45 1/2"	14"	10 5/8"	24"	2300

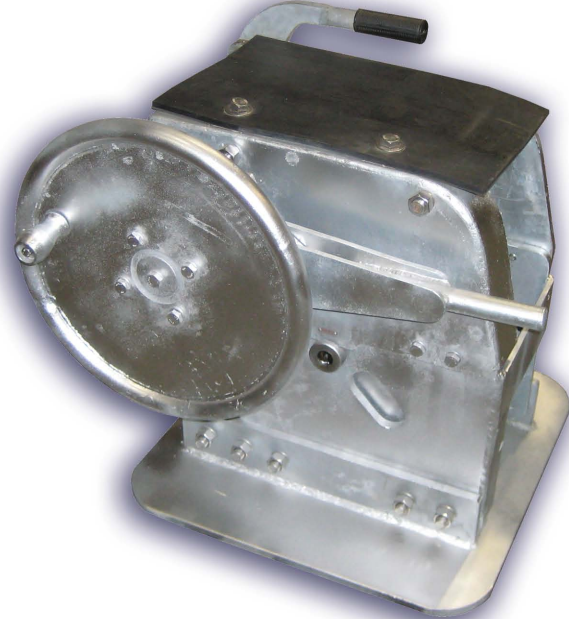
60 TON MANUAL WINCH

Nabrico Products
www.nabrico-marine.com

1250 Gateway Drive
Gallatin, Tennessee 37066
615-442-1300



NABRICO



- Heavy duty springless, galvanized ratchet handles.
- Stainless steel brake drum and band.
- Chrome plated shafts.
- Bronze bushings with graphite inserts.
- Stainless / bronze hardware.
- Two-piece side plate for easy maintenance.

- "Easy off" handwheel.
- Doubler plate, base bar, d-ring, or swivel mounting.
- Right and left hand models.
- Blasted and epoxy painted.
- Hot dipped galvanized option available.
- High load release dog.

MODEL No.	HOLDING DOG &/OR BRAKE	LINE PULL @ FIRST LAYER WITH ONE MAN (LBS)		DRUM FLANGE DIAM. (INCHES)	DRUM INCHES		DRUM CAPACITIES (FT)				DIMENSIONAL DATA (INCHES)		
		HAND WHEEL	RATCHET W/STD. EXT.		DIAM	WIDTH	5/8"	3/4"	7/8"	1"	W	L	H
DF-529	40 TONS	2000	8000	14	6.6	6.89	126	95	85	70	12 1/2"	19 3/4"	22 3/4"

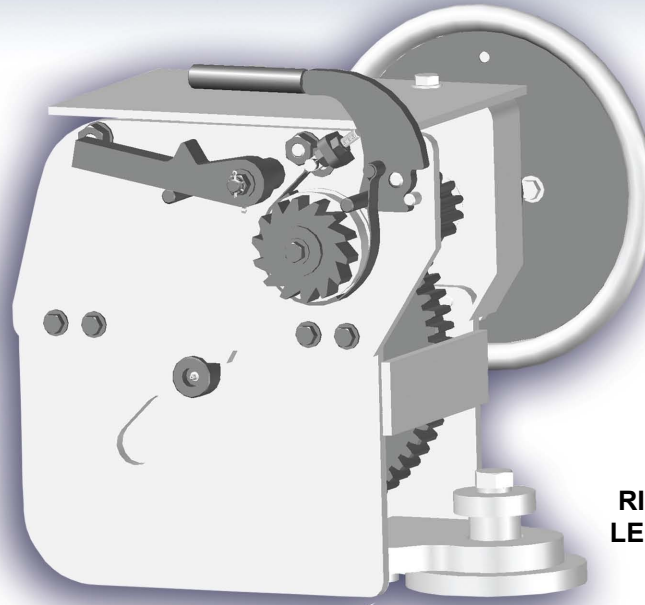
DF-529 LOW PROFILE WINCH

Nabrico Products
www.nabrico-marine.com

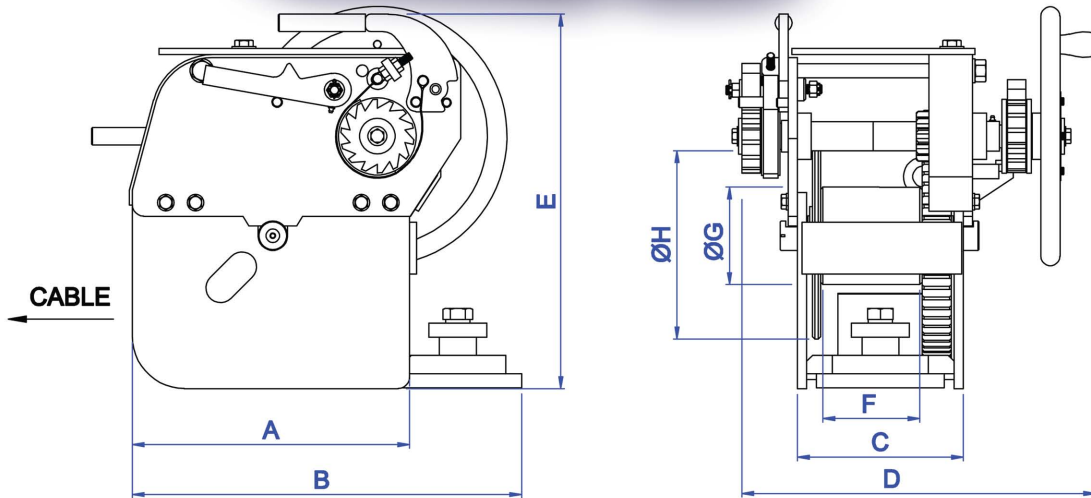
1250 Gateway Drive
 Gallatin, Tennessee 37066
 615-442-1300



NABRICO



RIGHT HAND WINCH SHOWN
LEFT HAND WINCH OPPOSITE



COATINGS	RH WINCH PART No.	LH WINCH PART No.
PAINTED BLACK	90088	90098
GALVANIZED	89101	89100

MODEL No.	PART No.	A	B	C	D	E	ØF	G	ØH	WT. (lbs.)
DF-529	REFER TO COATINGS TABLE	18 3/4"	26 1/2"	11 1/4"	24"	25 1/2"	6 7/8"	6 5/8"	14"	550

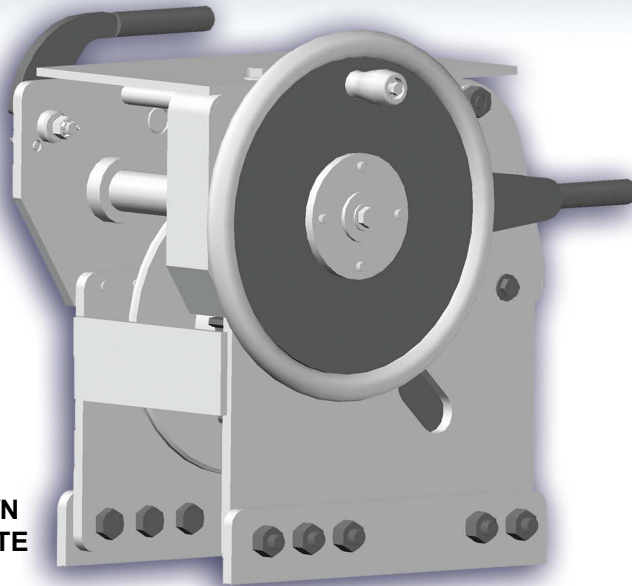
40 TON LOW PROFILE BUTTON MOUNT WINCH

Nabrico Products
www.nabrico-marine.com

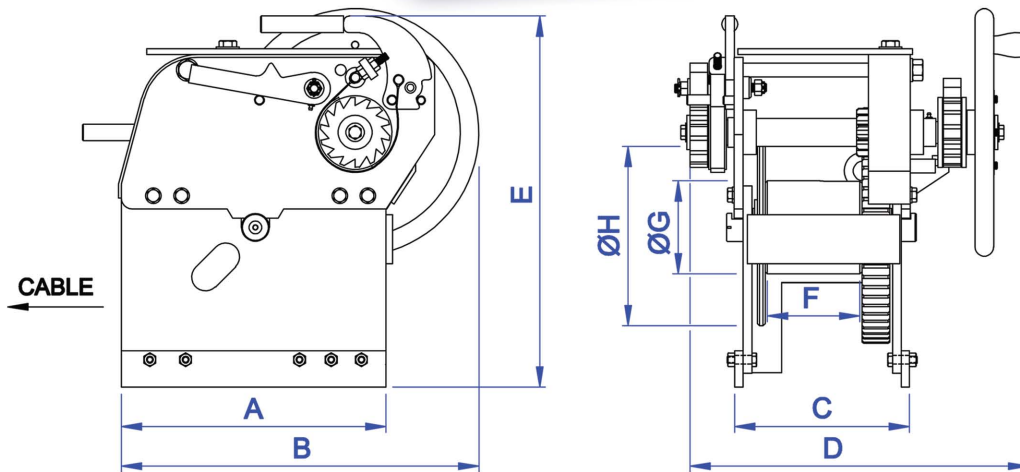
1250 Gateway Drive
Gallatin, Tennessee 37066
615-442-1300



NABRICO



RIGHT HAND WINCH SHOWN
LEFT HAND WINCH OPPOSITE



COATINGS	RH WINCH PART No.	LH WINCH PART No.
PAINTED BLACK	89081	89080
GALVANIZED	89103	89102

MODEL No.	PART No.	A	B	C	D	E	F	ØG	ØH	WT. (lbs.)
DF-529	REFER TO COATINGS TABLE	19 11/16"	26 1/2"	12 1/2"	24"	25 1/2"	6 7/8"	6 5/8"	14"	480

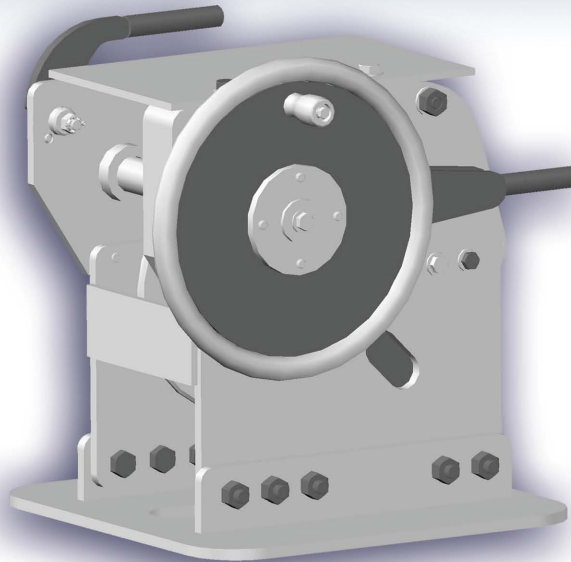
40 TON LOW PROFILE BASE BAR MOUNT WINCH

Nabrico Products
www.nabrico-marine.com

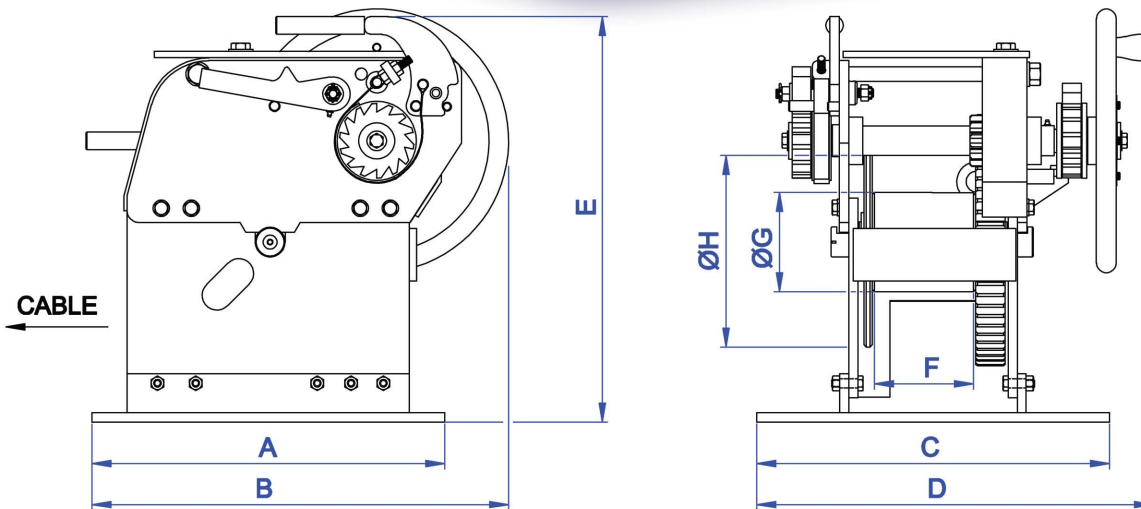
1250 Gateway Drive
Gallatin, Tennessee 37066
615-442-1300



NABRICO



RIGHT HAND WINCH SHOWN
LEFT HAND WINCH OPPOSITE



COATINGS	RH WINCH PART No.	LH WINCH PART No.
PAINTED BLACK	89088	89098
GALVANIZED	89092	89093

MODEL No.	PART No.	A	B	C	D	E	ØF	G	ØH	WT. (lbs.)
DF-529	REFER TO COATINGS TABLE	23 1/2"	28 3/8"	23 1/2"	24 1/2"	25 1/2"	6 7/8"	6 5/8"	14"	550

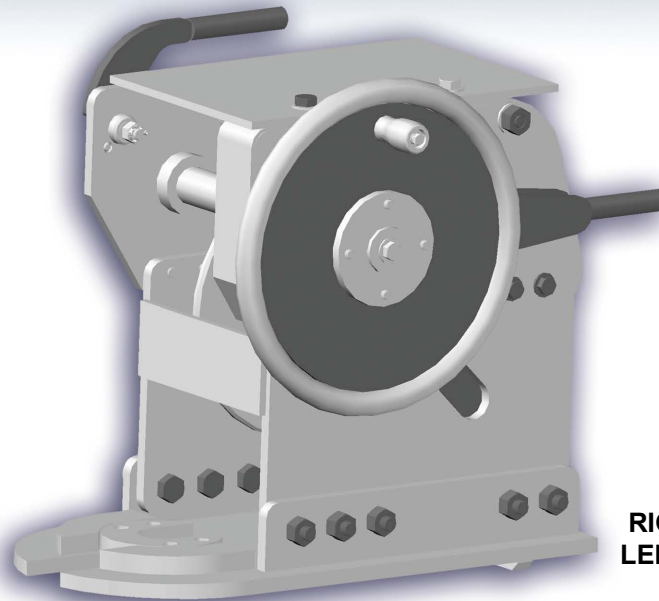
40 TON LOW PROFILE DOUBLER PLATE MOUNT WINCH

Nabrico Products
www.nabrico-marine.com

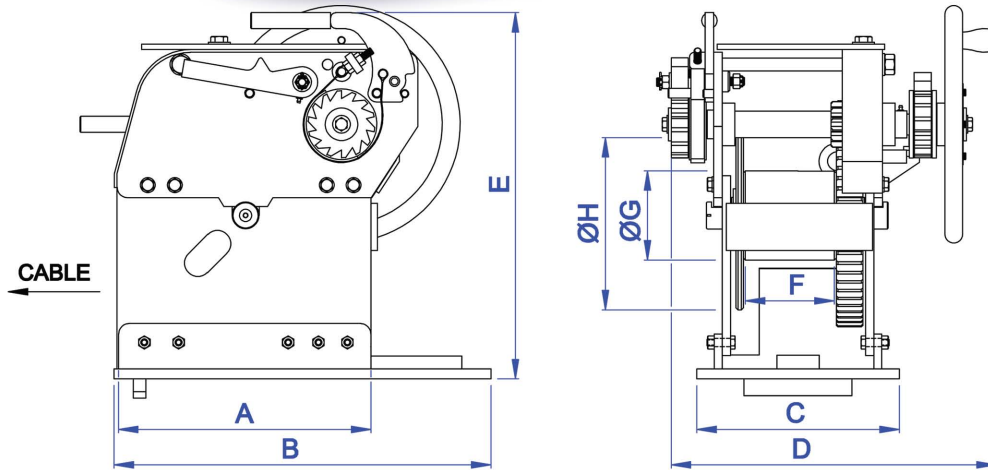
1250 Gateway Drive
Gallatin, Tennessee 37066
615-442-1300



NABRICO



RIGHT HAND WINCH SHOWN
LEFT HAND WINCH OPPOSITE



COATINGS	RH WINCH PART No.	LH WINCH PART No.
PAINTED BLACK	89083	89082
GALVANIZED	89090	89091

MODEL No.	PART No.	A	B	C	D	E	F	ØG	ØH	WT. (lbs.)
DF-529	REFER TO COATINGS TABLE	19 11/16"	29 1/2"	15"	24"	25 1/2"	6 7/8"	6 5/8"	14"	550

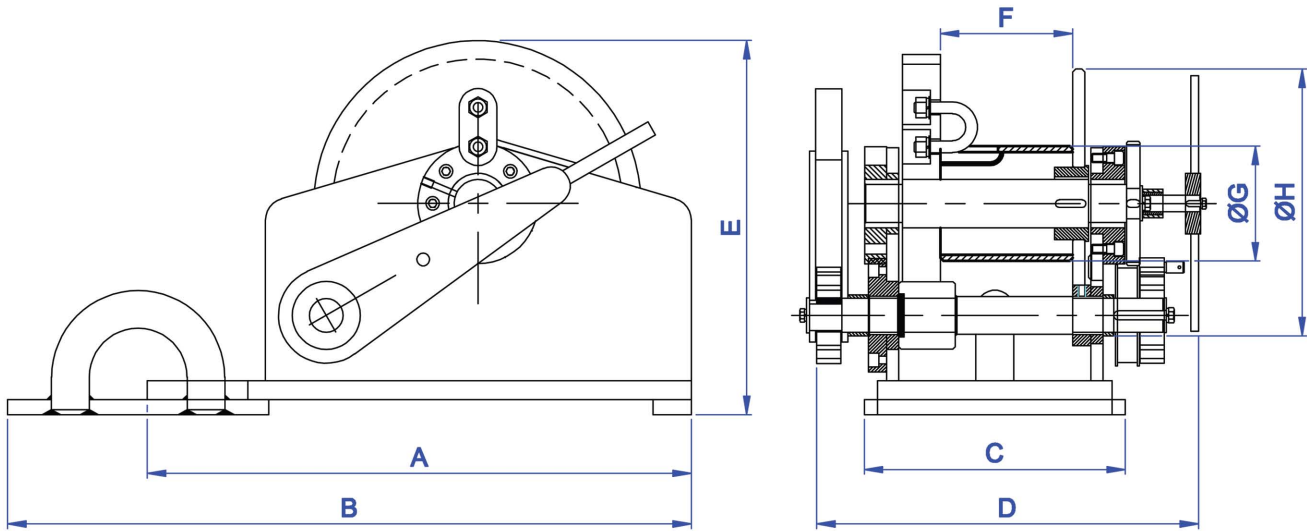
40 TON LOW PROFILE D-RING MOUNT WINCH

Nabrico Products
www.nabrico-marine.com

1250 Gateway Drive
Gallatin, Tennessee 37066
615-442-1300



NABRICO



LEFT HAND WINCH SHOWN
RIGHT HAND WINCH OPPOSITE

COATINGS	RH WINCH PART No.	LH WINCH PART No.
GALVANIZED	89061	89060

MODEL No.	PART No.	A	B	C	D	E	F	ØG	ØH	WT. (lbs.)
DF-539	REFER TO COATING TABLE	28 5/16"	35 9/16"	13 9/16"	19 7/8"	19 1/2"	6 7/8"	6"	14"	500

40 TON COMPACT LOW PROFILE WINCH

Nabrico Products
www.nabrico-marine.com

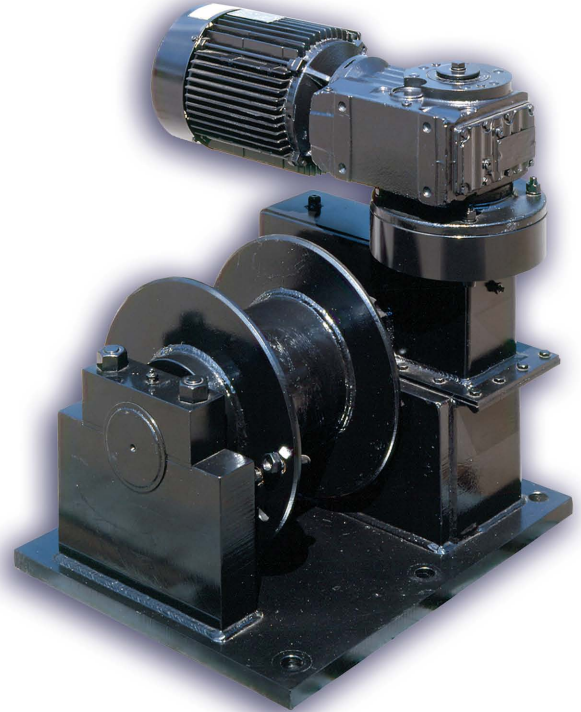
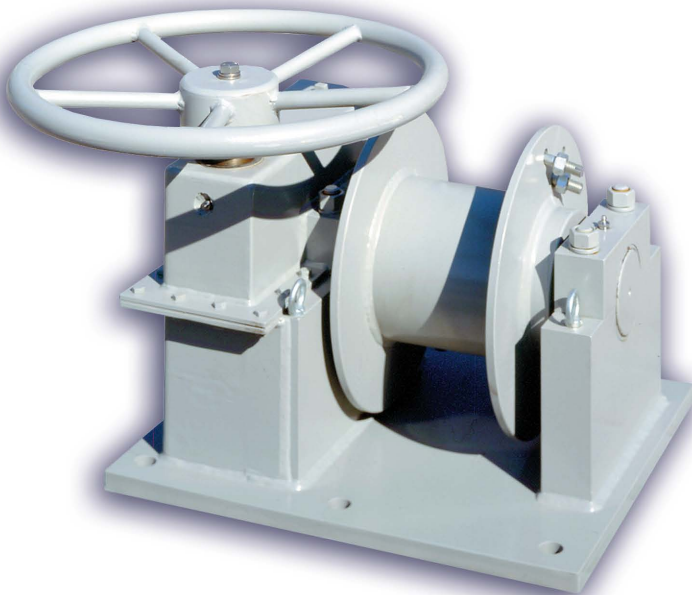
40

1250 Gateway Drive
Gallatin, Tennessee 37066
615-442-1300

The specifications and details described by drawings or text in this literature are subject to change without notice.



NABRICO



MODEL	HOLDING CAPACITY	LINE PULL @ FIRST LAYER OF CABLE			LINE SPEED @ FIRST LAYER OF CABLE	DRUM DIMENSIONS			DRUM CAPACITY (in.)					MOTOR
		@ RATED AMPS	@ MOTOR STALL	HAND WHEEL		FLANGE DIA.	DRUM DIA.	DRUM WIDTH	CABLE SIZE (in.)					
		S. TONS	LBS.	LBS.		LBS.	FPM	IN.	IN.	IN.	1/2	5/8	3/4	
DF-170-25	25	5,800	7,500	7,000	25	14.75	8.00	10.25	230	195	125	90	65	5.4

Parker Towing Winches have been in the marine market place for more than fifty years. Still marketed under the Parker name but owned by NABRICO, they benefit from the added support of NABRICO's commitment to quality, inventory maintenance, continuing product improvement and customer service. We offer an electric model and have made it possible for all manual units to be retrofitted.

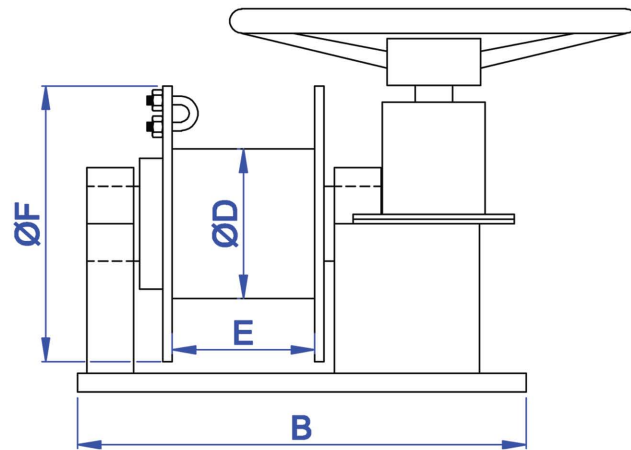
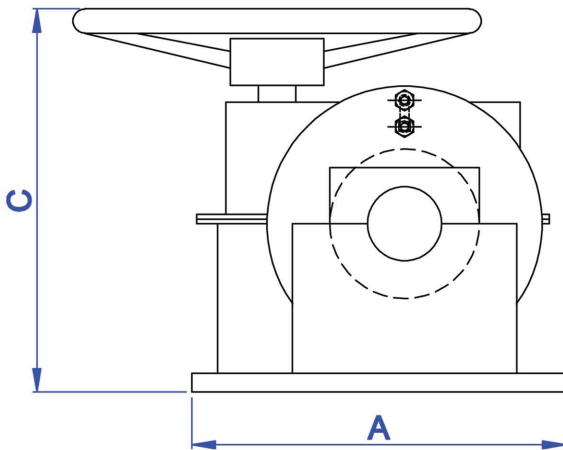
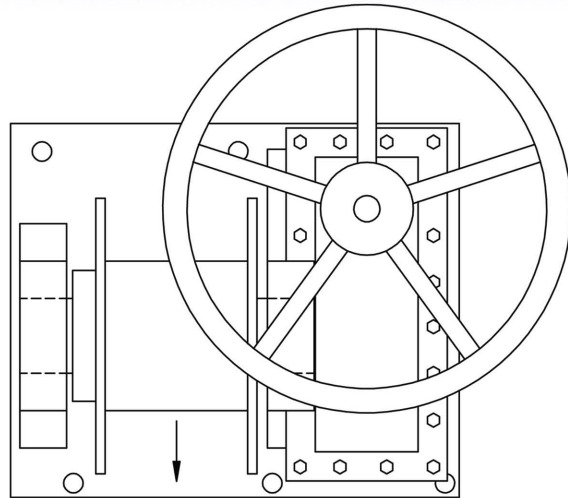
PARKER WINCH

Nabrigo Products
www.nabrigo-marine.com

1250 Gateway Drive
 Gallatin, Tennessee 37066
 615-442-1300



NABRICO



COATINGS	RH WINCH PART No.	LH WINCH PART No.
PAINTED	100506	100501

MODEL No.	PART No.	A	B	C	ØD	E	ØF	WT. (lbs.)
DF-170-25-M	REFER TO COATINGS TABLE	20"	24"	20 1/2"	8"	7 5/8"	14 3/4"	680

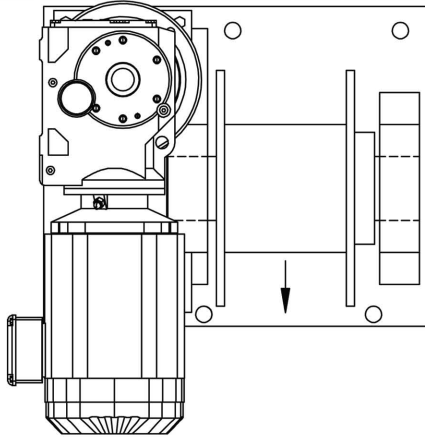
25 TON PARKER WINCH

Nabrico Products
www.nabrico-marine.com

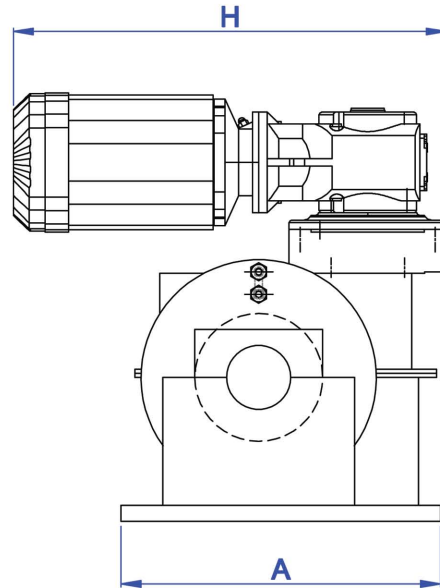
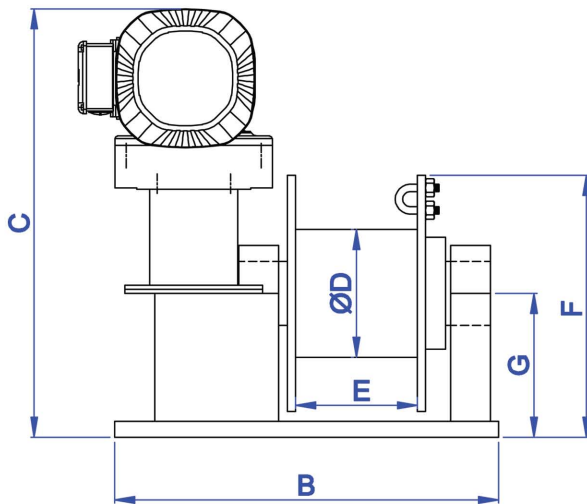
1250 Gateway Drive
 Gallatin, Tennessee 37066
 615-442-1300



NABRICO



LEFT HAND WINCH SHOWN
RIGHT HAND WINCH IS OPPOSITE



COATINGS	RH WINCH PART No.	LH WINCH PART No.
PAINTED	100507	100502

NOTES:

1. Unit uses a SEW-Eurodrive gearbox and motor (KAF57DRE132S4)
2. Electric motor replaces the manual handwheel and attaches by using motor to winch adapter ring (PN 100709).

MODEL No.	PART No.	A	B	C	ØD	E	F	G	H	WT. (lbs.)
DF-170-25-E	REFER TO COATINGS TABLE	20"	24"	26 13/16"	8"	7 5/8"	16 3/8"	9"	27 1/16"	840

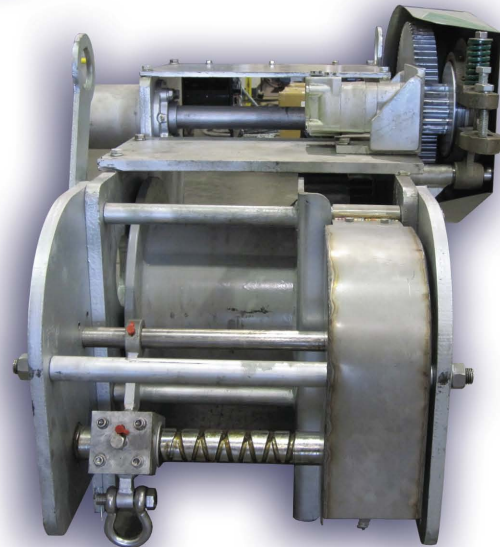
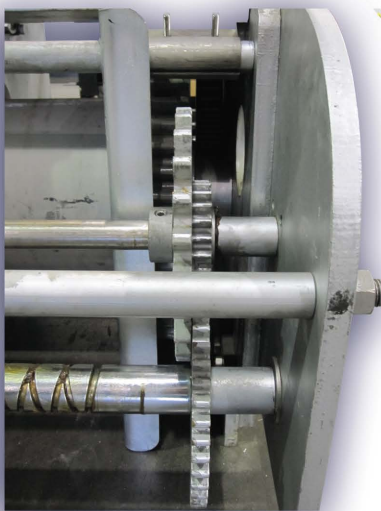
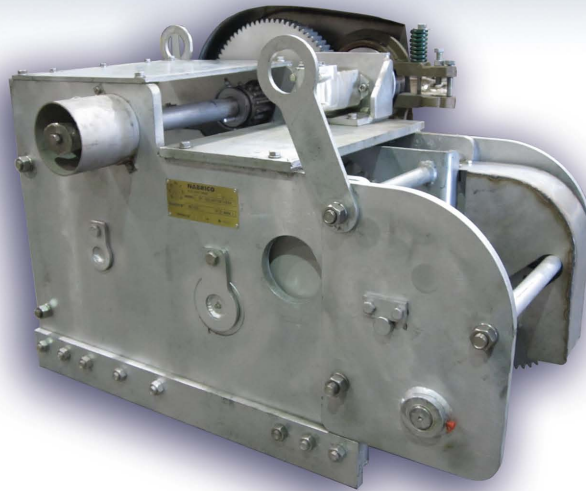
25 TON PARKER ELECTRIC WINCH

Nabrico Products
www.nabrico-marine.com

1250 Gateway Drive
Gallatin, Tennessee 37066
615-442-1300



NABRICO



NABRICO's Level Wind Kit has the ability to turn our standard DF-156-40 Hydra-Electric or DF-1-40 Electric winches into a winch with a powered level wind. These kits are field retrofits with simple bolt-on replacement. When you purchase the Level Wind Kit, everything is included inside the box with no additional hardware needed. The Level Wind Kit is custom to each specific size of wire rope or synthetic rope to ensure the most uniform winding on the drum, so please let our sales team know what rope type and size you're using when ordering.

LEVEL WIND KIT

Nabrico Products
www.nabrico-marine.com

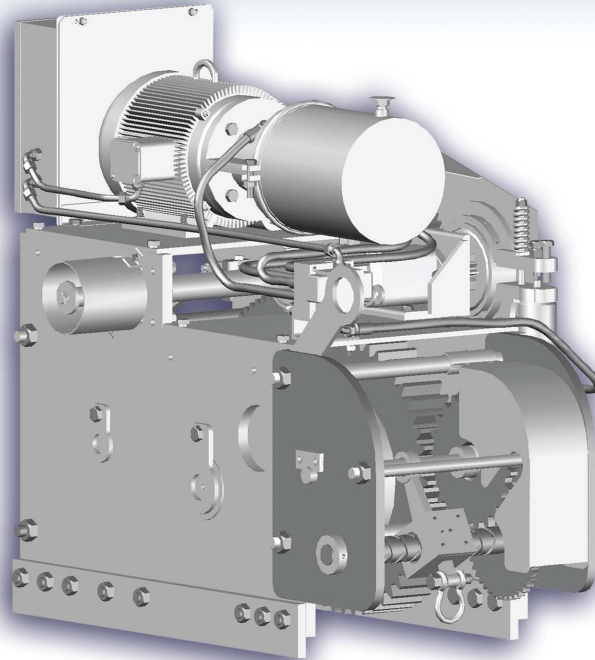
44

1250 Gateway Drive
Gallatin, Tennessee 37066
615-442-1300

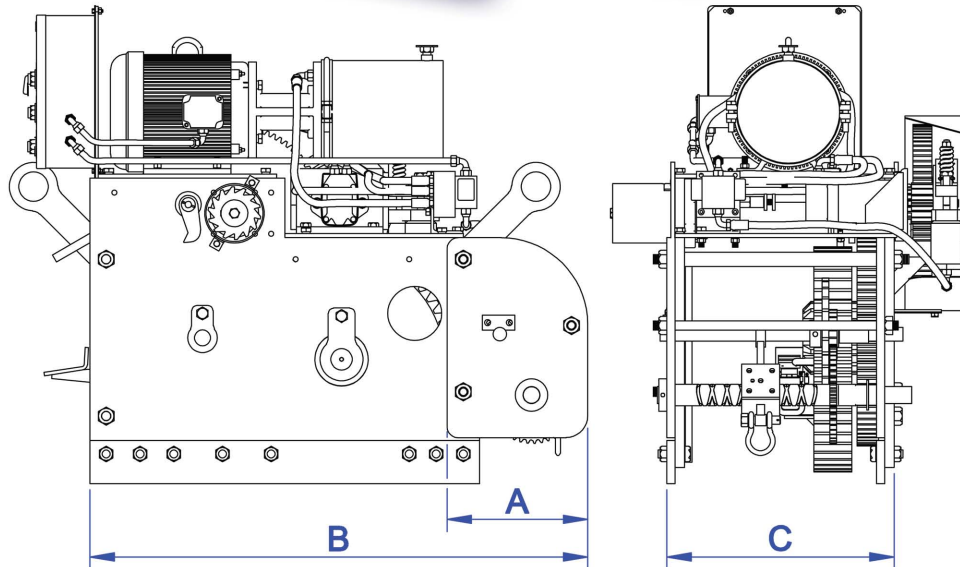
The specifications and details described by drawings or text in this literature are subject to change without notice.



NABRICO



RIGHT HAND WINCH SHOWN
LEFT HAND WINCH OPPOSITE



PART No.	SIZE	A	B	C	WT. (lbs.)
82095-LH 82096-RH	40 TON	13"	46"	21 3/4"	190

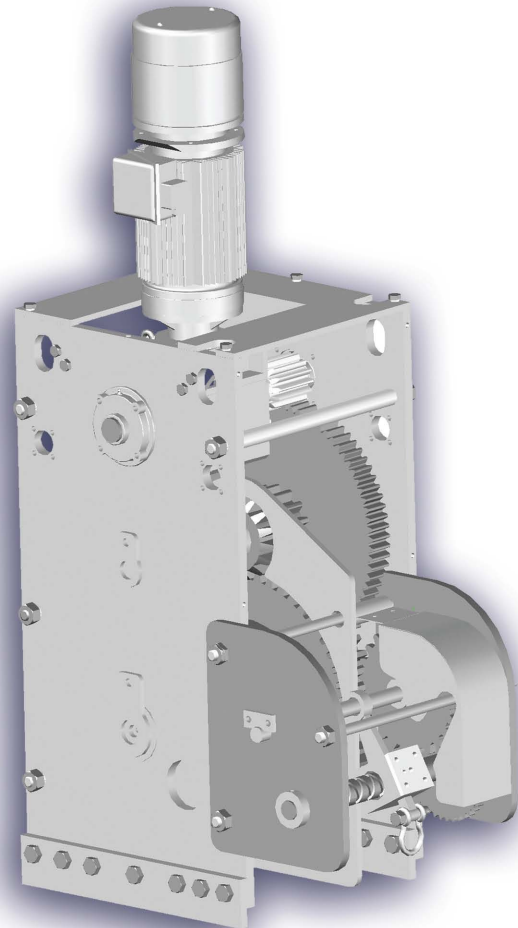
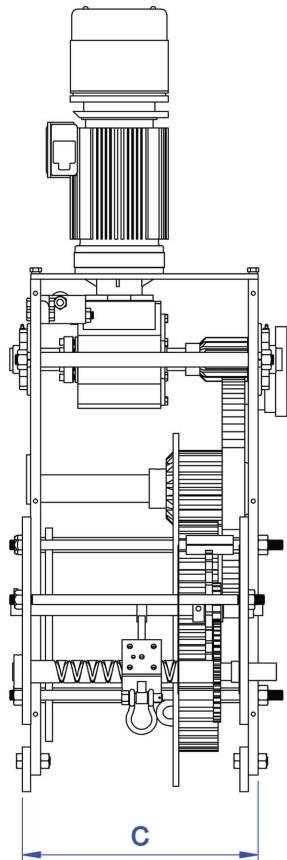
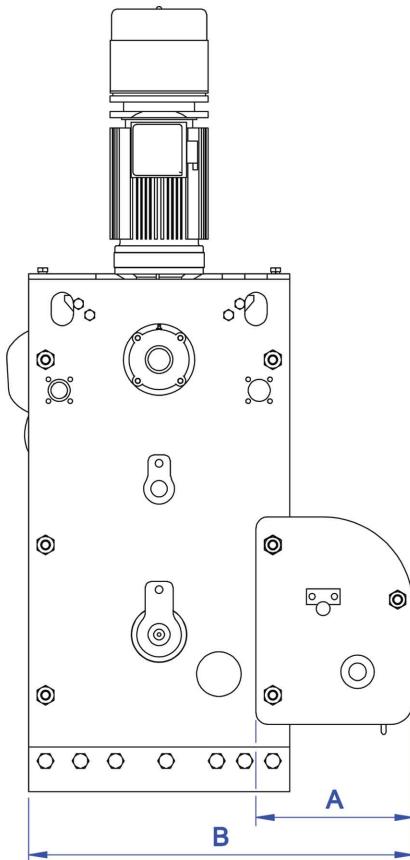
LEVEL WIND KIT FOR DF-156 HE WINCH

Nabrico Products
www.nabrico-marine.com

1250 Gateway Drive
Gallatin, Tennessee 37066
615-442-1300



NABRICO



RIGHT HAND WINCH SHOWN
LEFT HAND WINCH OPPOSITE

PART No.	SIZE	A	B	C	WT. (lbs.)
82095-LH 82096-RH	40 TON	14"	34 1/4"	21 3/4"	190

LEVELWIND KIT FOR 40 TON ELEC. UPRIGHT WINCH

Nabrico Products
www.nabrico-marine.com

1250 Gateway Drive
Gallatin, Tennessee 37066
615-442-1300

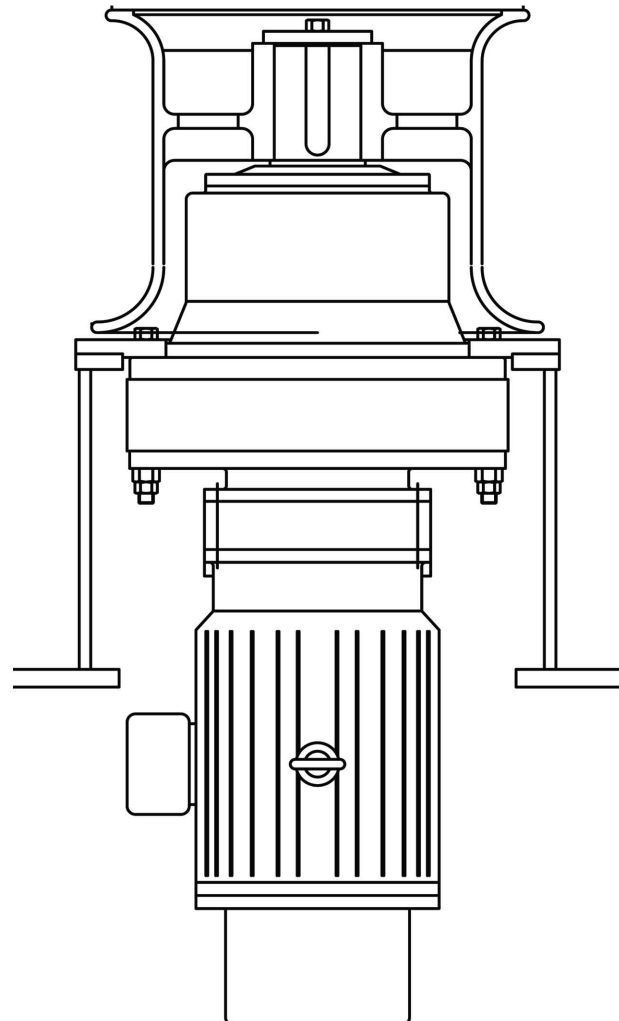
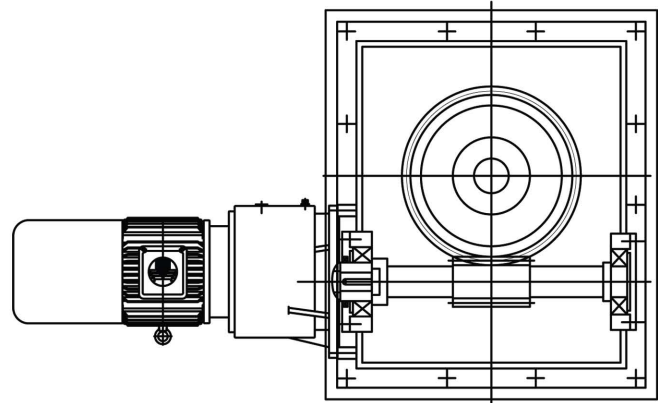
CAPSTANS

CAPSTANS

ELECTRIC / HYDRAULIC

48

NABRICO provides a variety of capstan options to meet your specific requirements. Whether your needs require a thru-deck, above deck, electric, or hydraulic capstan, our engineers and sales people will provide a capstan to meet the demands of your applications.



Nabrico Products
www.nabrico-marine.com

47

1250 Gateway Drive
Gallatin, Tennessee 37066
615-442-1300

The specifications and details described by drawings or text in this literature are subject to change without notice.



NABRICO



SPECIFY THE FOLLOWING INFORMATION TO DETERMINE THE SIZE AND SPEED OF YOUR CAPSTANS:

HEAD SIZE _____
No. OF SPEEDS _____
LINE PULL _____
LINE SPEED _____
DRIVE _____

MODEL SHOWN

MODEL	DF-C-18-15-30-H
HEAD SIZE	18 INCH
No. OF SPEEDS	ONE
LINE PULL	5,000 Lbs.
LINE SPEED	30 FPM
DRIVE	HYDRAULIC

- VERTICAL THRU-DECK OR ABOVE DECK MODELS
- FABRICATED STEEL CONSTRUCTION
- POLISHED STEEL CAPSTAN HEAD
- HEAD SIZES AVAILABLE TO 36" DIAMETER
- SINGLE OR VARIABLE SPEEDS AVAILABLE
- LINE PULL UP TO 100,000 Lbs.
- STATIC OR BOLLARD PULL UP 300,000 Lbs.
- THREE COAT ZINC AND EPOXY PAINT SYSTEM
- PLANETARY OR WORM AND SPUR GEARING
- AVAILABLE WITH AN ELECTRIC OR HYDRAULIC DRIVE

CAPSTANS

Nabrico Products
www.nabrico-marine.com

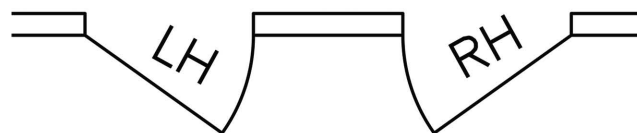
1250 Gateway Drive
Gallatin, Tennessee 37066
615-442-1300

DOORS

NABRICO doors are made from a zinc primed mild steel and are offered in several styles including 4 dog, 6 dog, quick acting, and lever arm. Any of our doors can be customized to fit your needs. Some options include aluminum or stainless steel construction, varied custom sizing, or different portlight options. The majority of our doors are ABS certified, and we have the ability to get any custom door certified.

DOORS

4 DOG	50
6 DOG	51
6 DOG W/PORTLIGHT	52
QUICK ACTING	53
4 DOG LEVER ARM	54
6 DOG LEVER ARM	55



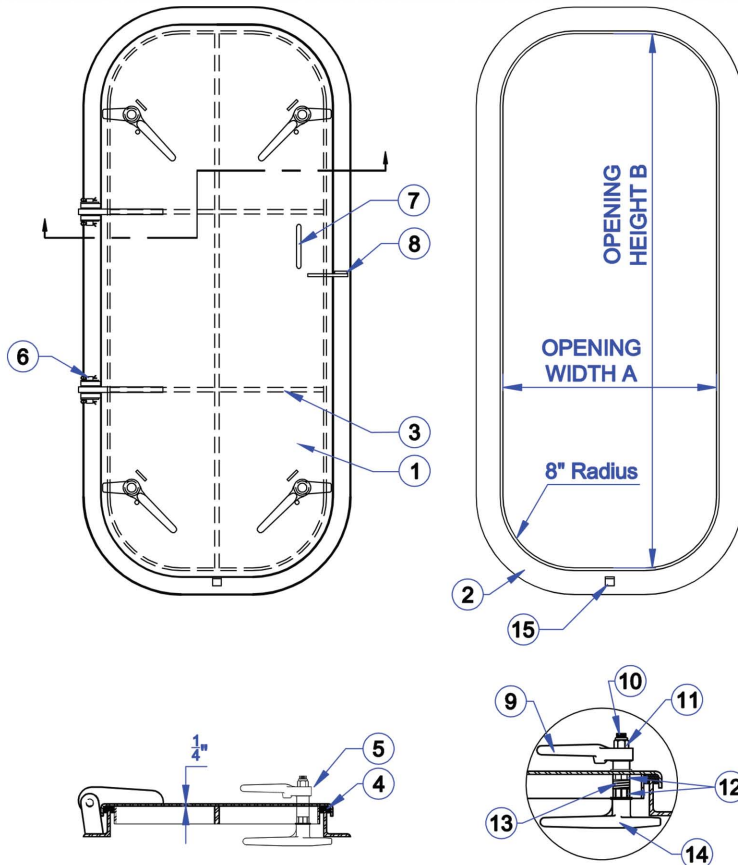
ORIENTATION

Nabrico Products
www.nabrico-marine.com

1250 Gateway Drive
Gallatin, Tennessee 37066
615-442-1300



NABRICO



(LEFT HAND/RIGHT HAND)
DOOR ORIENTATION

No.	DESCRIPTION	MATERIAL
1	DOOR PANEL ASSEMBLY	STEEL
2	COAMING ASSEMBLY	STEEL
3	STIFFENER BAR	STEEL
4	DOOR GASKET	NEOPRENE
5	DOGGING HANDLE ASSEMBLY	STEEL
6	HINGE PIN ASSEMBLY	STAINLESS
7	GRAB HANDLE	STEEL
8	LOCKING HASP	STEEL
9	STRAIGHT HANDLE	STEEL
10	HANDLE SHAFT	STEEL
11	JAM NUT	STEEL
12	BUSHING	NYLON
13	PACKING	GRAPHITE
14	DOGGING HANDLE	STEEL
15	DOOR CENTERING LUG	STEEL

THE DOOR SHOWN IN THE DRAWING IS CONSIDERED A LEFT HAND DOOR WITH THE HINGE AREA POSITIONED ON THE LEFT SIDE.

A RIGHT HAND DOOR WOULD BE THE OPPOSITE WITH THE HINGE AREA POSITIONED ON THE RIGHT SIDE.

DETAIL OF DOG
HANDLE AREA

LEFT HAND 4 DOG DOOR SPECIFICATION TABLE								
MODEL No.	PART No.	SIZE	A	B	CUT-OUT DIMS.			WEIGHT LBS.
					A	B	RADIUS	
DF-605-2460	100875	24x60	24"	60"	27"	63"	11"	290
DF-605-2464	100980	24x64	24"	64"	27"	67"	11"	310
DF-605-2472	100877	24x72	24"	72"	27"	75"	11"	330
DF-605-2660	100185	26x60	26"	60"	29"	63"	11"	320
DF-605-2866	100851	28x66	28"	66"	31"	69"	11"	350
DF-605-2872	100977	28x72	28"	72"	31"	75"	11"	385
DF-605-3054	100856	30x54	30"	54"	33"	57"	11"	310
DF-605-3060	100193	30x60	30"	60"	33"	63"	11"	350
DF-605-3072	100990	30x72	30"	72"	33"	75"	11"	400
DF-605-3666	100862	36x66	36"	66"	39"	69"	11"	410
DF-605-3672	100868	36x72	36"	72"	39"	75"	11"	450

RIGHT HAND 4 DOG DOOR SPECIFICATION TABLE								
MODEL No.	PART No.	SIZE	A	B	CUT-OUT DIMS.			WEIGHT LBS.
					A	B	RADIUS	
DF-605-2460	100182	24x60	24"	60"	27"	63"	11"	290
DF-605-2464	100981	24x64	24"	64"	27"	67"	11"	310
DF-605-2472	100878	24x72	24"	72"	27"	75"	11"	330
DF-605-2660	100186	26x60	26"	60"	29"	63"	11"	320
DF-605-2866	100852	28x66	28"	66"	31"	69"	11"	350
DF-605-2872	100978	28x72	30"	72"	31"	75"	11"	385
DF-605-3054	100857	30x54	30"	54"	33"	57"	11"	310
DF-605-3060	100194	30x60	30"	60"	33"	63"	11"	350
DF-605-3072	100991	30x72	30"	72"	33"	75"	11"	400
DF-605-3666	100863	36x66	36"	66"	39"	69"	11"	410
DF-605-3672	100869	36x72	36"	72"	39"	75"	11"	450

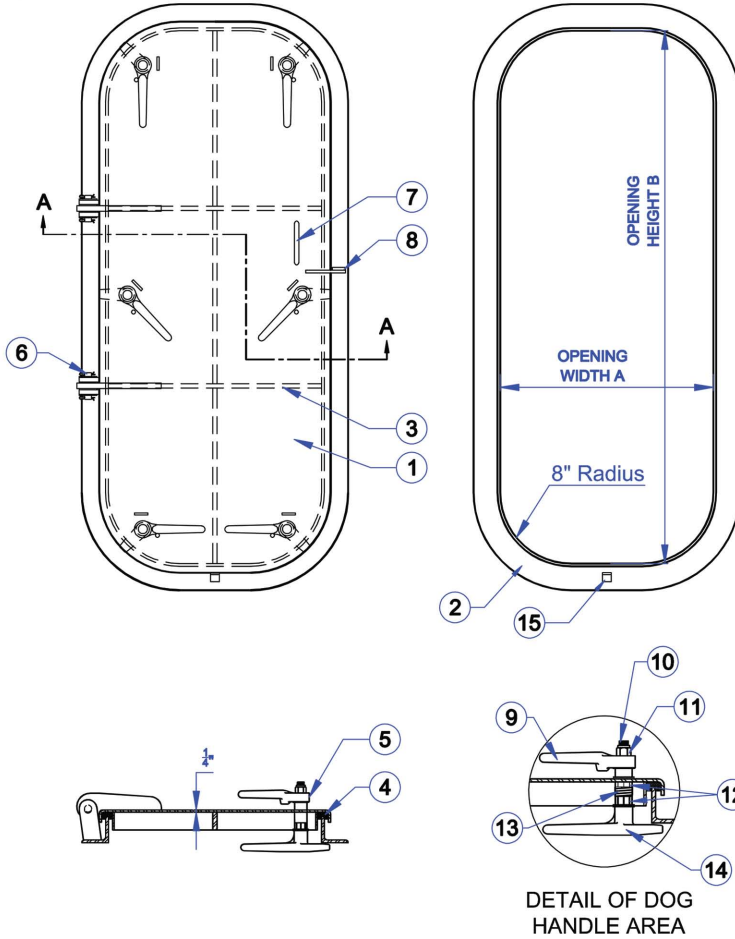
4 DOG WEATHERTIGHT DOOR

Nabrico Products
www.nabrico-marine.com

1250 Gateway Drive
Gallatin, Tennessee 37066
615-442-1300



NABRICO



(LEFT HAND/RIGHT HAND)
DOOR ORIENTATION

No.	DESCRIPTION	MATERIAL
1	DOOR PANEL ASSEMBLY	STEEL
2	COAMING ASSEMBLY	STEEL
3	STIFFENER BAR	STEEL
4	DOOR GASKET	NEOPRENE
5	DOGGING HANDLE ASSEMBLY	STEEL
6	HINGE PIN ASSEMBLY	STAINLESS
7	GRAB HANDLE	STEEL
8	LOCKING HASP	STEEL
9	STRAIGHT HANDLE	STEEL
10	HANDLE SHAFT	STEEL
11	JAM NUT	STEEL
12	BUSHING	NYLON
13	PACKING	GRAPHITE
14	DOGGING HANDLE	STEEL
15	DOOR CENTERING LUG	STEEL

THE DOOR SHOWN IN THE DRAWING IS CONSIDERED A LEFT HAND DOOR WITH THE HINGE AREA POSITIONED ON THE LEFT SIDE.

A RIGHT HAND DOOR WOULD BE THE OPPOSITE WITH THE HINGE AREA POSITIONED ON THE RIGHT SIDE.

MODEL No.	PART No.	SIZE	A	B	CUT-OUT DIMS.			WEIGHT LBS.
					A	B	RADIUS	
DF-600-2454	100114	24x54	24"	54"	27"	57"	11"	297
DF-600-2460	100116	24x60	24"	60"	27"	63"	11"	317
DF-600-2472	100120	24x72	24"	72"	27"	75"	11"	336
DF-600-2866	100127	28x66	28"	66"	31"	69"	11"	360
DF-600-2872	100131	28x72	28"	72"	31"	75"	11"	392
DF-600-3054	100134	30x54	30"	54"	33"	57"	11"	315
DF-600-3060	100138	30x60	30"	60"	33"	63"	11"	360
DF-600-3066	100197	30x66	30"	66"	33"	69"	11"	370
DF-600-3072	100143	30x72	30"	72"	33"	75"	11"	410
DF-600-3666	100148	36x66	36"	66"	39"	69"	11"	420
DF-600-3672	100152	36x72	36"	72"	39"	75"	11"	460

MODEL No.	PART No.	SIZE	A	B	CUT-OUT DIMS.			WEIGHT LBS.
					A	B	RADIUS	
DF-600-2454	100115	24x54	24"	54"	27"	57"	11"	297
DF-600-2460	100117	24x60	24"	60"	27"	63"	11"	317
DF-600-2472	100121	24x72	24"	72"	27"	75"	11"	336
DF-600-2866	100128	28x66	28"	66"	31"	69"	11"	360
DF-600-2872	100132	28x72	28"	72"	31"	75"	11"	392
DF-600-3054	100135	30x54	30"	54"	33"	57"	11"	315
DF-600-3060	100139	30x60	30"	60"	33"	63"	11"	360
DF-600-3066	100142	30x66	30"	66"	33"	69"	11"	370
DF-600-3072	100144	30x72	30"	72"	33"	75"	11"	410
DF-600-3666	100149	36x66	36"	66"	39"	69"	11"	420
DF-600-3672	100153	36x72	36"	72"	39"	75"	11"	460

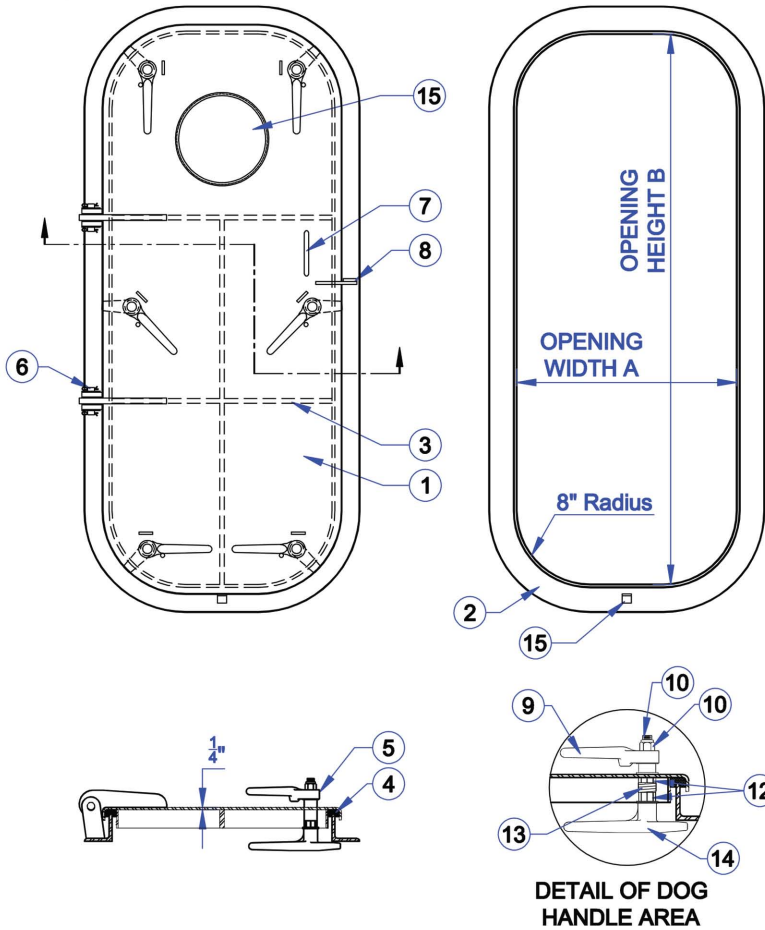
6 DOG WEATHERTIGHT DOOR

Nabrico Products
www.nabrico-marine.com

1250 Gateway Drive
Gallatin, Tennessee 37066
615-442-1300



NABRICO



No.	DESCRIPTION	MATERIAL
1	DOOR PANEL ASSEMBLY	STEEL
2	COAMING ASSEMBLY	STEEL
3	STIFFENER BAR	STEEL
4	DOOR GASKET	NEOPRENE
5	DOGGING HANDLE ASSEMBLY	STEEL
6	HINGE PIN ASSEMBLY	STAINLESS
7	GRAB HANDLE	STEEL
8	LOCKING HASP	STEEL
9	STRAIGHT HANDLE	STEEL
10	HANDLE SHAFT	STEEL
11	JAM NUT	STEEL
12	BUSHING	NYLON
13	PACKING	GRAPHITE
14	DOGGING HANDLE	STEEL
15	DOOR CENTERING LUG	STEEL
16	10" FIXED PORTLIGHT	STEEL

THE DOOR SHOWN IN THE DRAWING IS CONSIDERED A LEFT HAND DOOR WITH THE HINGE AREA POSITIONED ON THE LEFT SIDE.

A RIGHT HAND DOOR WOULD BE THE OPPOSITE WITH THE HINGE AREA POSITIONED ON THE RIGHT SIDE.

ALL NABRICO DOOR STYLES ARE AVAILABLE WITH A VARIETY OF DIFFERENT TYPES AND SIZES OF PORTLIGHTS. A FEW OF THE MOST COMMON TYPES ARE LISTED IN THE TABLES BELOW BUT ARE IN NO WAY RESTRICTED TO WHAT IS CALLED OUT ON THIS PAGE. SOME OF THE AVAILABLE OPTIONS INCLUDE: WELD-IN OR BOLT-ON, FIXED OR NON-FIXED, AND WITH COVERS. PLEASE REFER TO THE PORTLIGHT SECTION OF THIS CATALOG FOR ALL TYPES AND SIZES AVAILABLE FROM NABRICO.

MODEL No.	PART No.	SIZE	A	B	CUT-OUT DIMS.			WEIGHT LBS.
					A	B	RADIUS	
DF-600-3054	100190	30x54	30"	54"	33"	57"	11"	330
DF-600-3060	100195	30x60	30"	60"	33"	63"	11"	380

MODEL No.	PART No.	SIZE	A	B	CUT-OUT DIMS.			WEIGHT LBS.
					A	B	RADIUS	
DF-600-3054	100191	30x54	30"	54"	33"	57"	11"	330
DF-600-3060	100196	30x60	30"	60"	33"	63"	11"	380

WEATHERTIGHT DOOR WITH FIXED PORTLIGHT

Nabrico Products
www.nabrico-marine.com

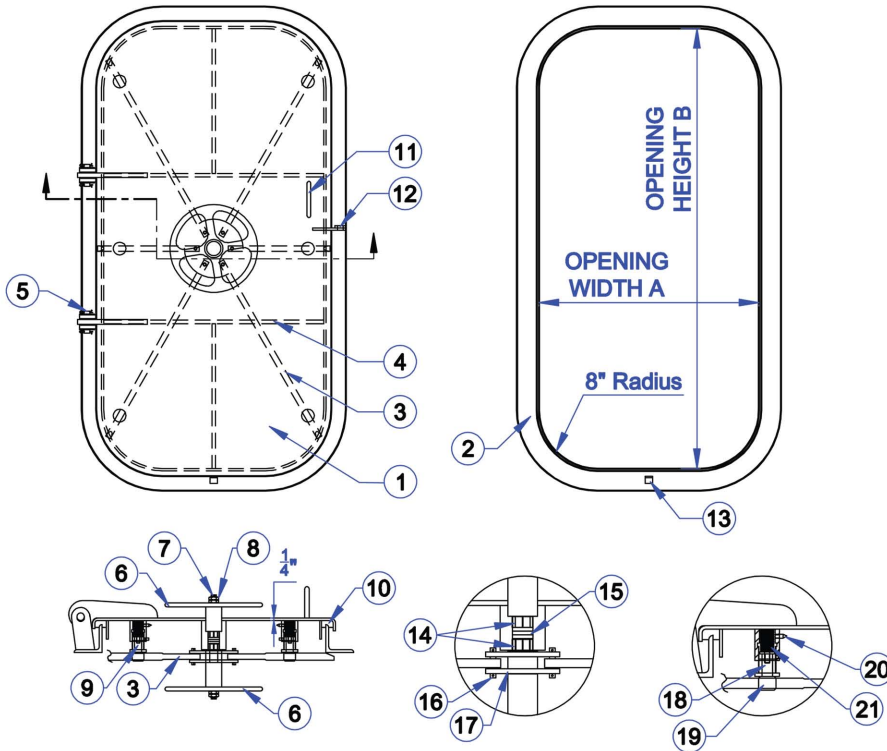
1250 Gateway Drive
 Gallatin, Tennessee 37066
 615-442-1300



NABRICO



(LEFT HAND/RIGHT HAND)
DOOR ORIENTATION



No.	DESCRIPTION	MATERIAL
1	DOOR PANEL ASSEMBLY	STEEL
2	COAMING ASSEMBLY	STEEL
3	DOG ARM	STAINLESS
4	STIFFENER BAR	STEEL
5	HINGE PIN ASSEMBLY	STAINLESS
6	HANDWHEEL ASSEMBLY	STEEL
7	CENTER SHAFT	STAINLESS
8	JAM NUT	STAINLESS
9	SWIVEL GUIDE ASSEMBLY	-
10	DOOR GASKET	NEOPRENE
11	GRAB HANDLE	STEEL
12	LOCKING HASP	STEEL
13	DOOR CENTERING LUG	STEEL
14	BUSHING	NYLON
15	PACKING	GRAPHITE
16	DOG ARM PIN	STEEL
17	ROTATING BLOCK ASSEMBLY	STEEL
18	ADJUSTMENT BUTTON	STEEL
19	SWIVEL GUIDE	BRASS
20	GREASE FITTING	STAINLESS
21	SWIVEL GUIDE SPRING	STAINLESS

DETAIL OF DOG ARM
HINGE AREA

DETAIL OF SWIVEL
GUIDE AREA

THE DOOR SHOWN IN THE DRAWING IS CONSIDERED A LEFT HAND DOOR WITH THE HINGE AREA POSITIONED ON THE LEFT SIDE.

A RIGHT HAND DOOR WOULD BE THE OPPOSITE WITH THE HINGE AREA POSITIONED ON THE RIGHT SIDE.

LEFT HAND QUICK ACTING DOOR SPECIFICATION TABLE								
MODEL No.	PART No.	SIZE	A	B	CUT-OUT DIMS.			WEIGHT LBS.
					A	B	RADIUS	
DF-610-2460	100118	24x60	24"	60"	27"	63"	11"	437
DF-610-2472	100122	24x72	24"	72"	27"	75"	11"	451
DF-610-2866	100129	28x66	28"	66"	31"	69"	11"	448
DF-610-2872	100133	28x72	28"	72"	31"	75"	11"	526
DF-610-3054	100192	30x54	30"	54"	33"	57"	11"	433
DF-610-3060	100140	30x60	30"	60"	33"	63"	11"	480
DF-610-3072	100198	30x72	30"	72"	33"	75"	11"	500
DF-610-3666	100150	36x66	36"	66"	39"	69"	11"	535
DF-610-3672	100154	36x72	36"	72"	39"	75"	11"	579

RIGHT HAND QUICK ACTING DOOR SPECIFICATION TABLE								
MODEL No.	PART No.	SIZE	A	B	CUT-OUT DIMS.			WEIGHT LBS.
					A	B	RADIUS	
DF-610-2460	100119	24x60	24"	60"	27"	63"	11"	437
DF-610-2472	100124	24x72	24"	72"	27"	75"	11"	451
DF-610-2866	100130	28x66	28"	66"	31"	69"	11"	448
DF-610-2872	100187	28x72	28"	72"	31"	75"	11"	526
DF-610-3054	100136	30x54	30"	54"	33"	57"	11"	433
DF-610-3060	100141	30x60	30"	60"	33"	63"	11"	480
DF-610-3072	100145	30x72	30"	72"	33"	75"	11"	500
DF-610-3666	100151	36x66	36"	66"	39"	69"	11"	535
DF-610-3672	100155	36x72	36"	72"	39"	75"	11"	579

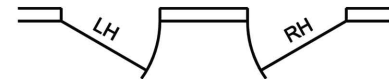
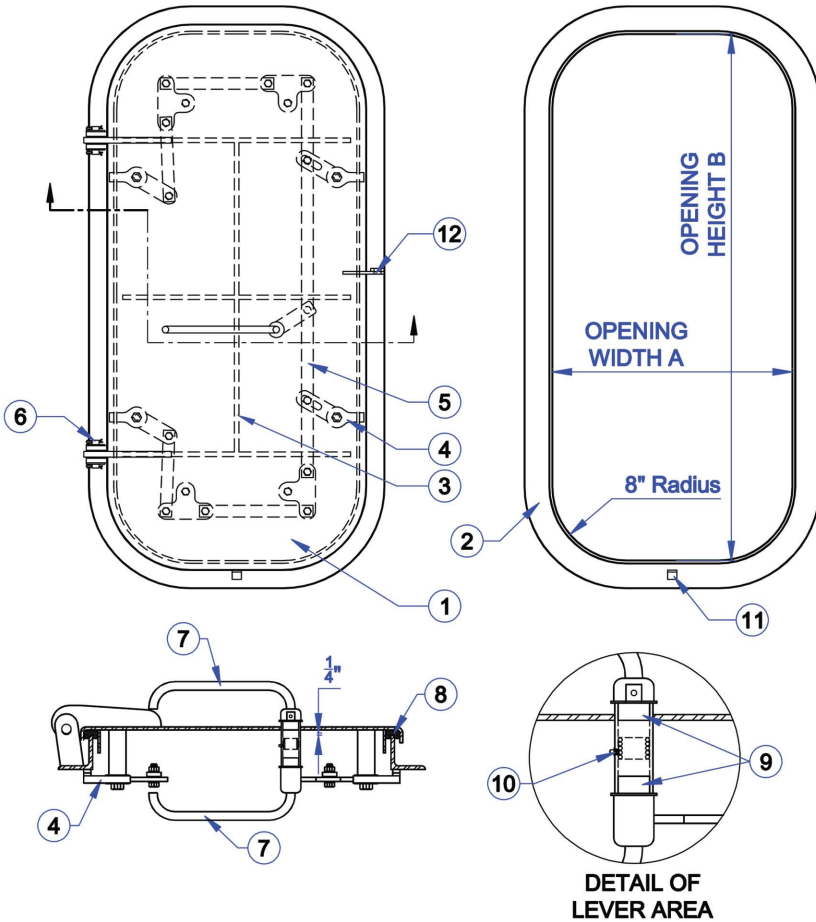
QUICK ACTING WEATHERTIGHT DOOR

Nabrico Products
www.nabrico-marine.com

1250 Gateway Drive
Gallatin, Tennessee 37066
615-442-1300



NABRICO



(LEFT HAND/RIGHT HAND)
DOOR ORIENTATION

No.	DESCRIPTION	MATERIAL
1	DOOR PANEL ASSEMBLY	STEEL
2	COAMING ASSEMBLY	STEEL
3	STIFFENER BAR	STEEL
4	DOG LEVER ASSEMBLY	STAINLESS
5	DOG CONNECTOR BAR	STAINLESS
6	HINGE PIN ASSEMBLY	STAINLESS
7	HAND LEVER ASSEMBLY	STAINLESS
8	DOOR GASKET	NEOPRENE
9	BUSHING	NYLON
10	GREASE FITTING	STAINLESS
11	DOOR CENTERING LUG	STEEL
12	LOCKING HASP	STEEL

THE DOOR SHOWN IN THE DRAWING IS CONSIDERED A LEFT HAND DOOR WITH THE HINGE AREA POSITIONED ON THE LEFT SIDE.

A RIGHT HAND DOOR WOULD BE THE OPPOSITE WITH THE HINGE AREA POSITIONED ON THE RIGHT SIDE.

LEFT HAND SINGLE LEVER (4 DOG) DOOR SPECIFICATION TABLE

MODEL No.	SIZE	A	B	CUT-OUT DIMS.			WEIGHT LBS.
				A	B	RADIUS	
DF-635-2460	24x60	24"	60"	27"	63"	11"	432
DF-635-2472	24x72	24"	72"	27"	75"	11"	446
DF-635-2866	28x66	28"	66"	31"	69"	11"	443
DF-635-2872	28x72	28"	72"	31"	75"	11"	521
DF-635-3054	30x54	30"	54"	33"	57"	11"	428
DF-635-3060	30x60	30"	60"	33"	63"	11"	475
DF-635-3072	30x72	30"	72"	33"	75"	11"	495
DF-635-3666	36x66	36"	66"	39"	69"	11"	530
DF-635-3672	36x72	36"	72"	39"	75"	11"	574

RIGHT HAND SINGLE LEVER (4 DOG) DOOR SPECIFICATION TABLE

MODEL No.	SIZE	A	B	CUT-OUT DIMS.			WEIGHT LBS.
				A	B	RADIUS	
DF-635-2460	24x60	24"	60"	27"	63"	11"	432
DF-635-2472	24x72	24"	72"	27"	75"	11"	446
DF-635-2866	28x66	28"	66"	31"	69"	11"	443
DF-635-2872	28x72	28"	72"	31"	75"	11"	521
DF-635-3054	30x54	30"	54"	33"	57"	11"	428
DF-635-3060	30x60	30"	60"	33"	63"	11"	475
DF-635-3072	30x72	30"	72"	33"	75"	11"	495
DF-635-3666	36x66	36"	66"	39"	69"	11"	530
DF-635-3672	36x72	36"	72"	39"	75"	11"	574

SINGLE LEVER (4 DOG) WEATHERTIGHT DOOR

Nabrico Products
www.nabrico-marine.com

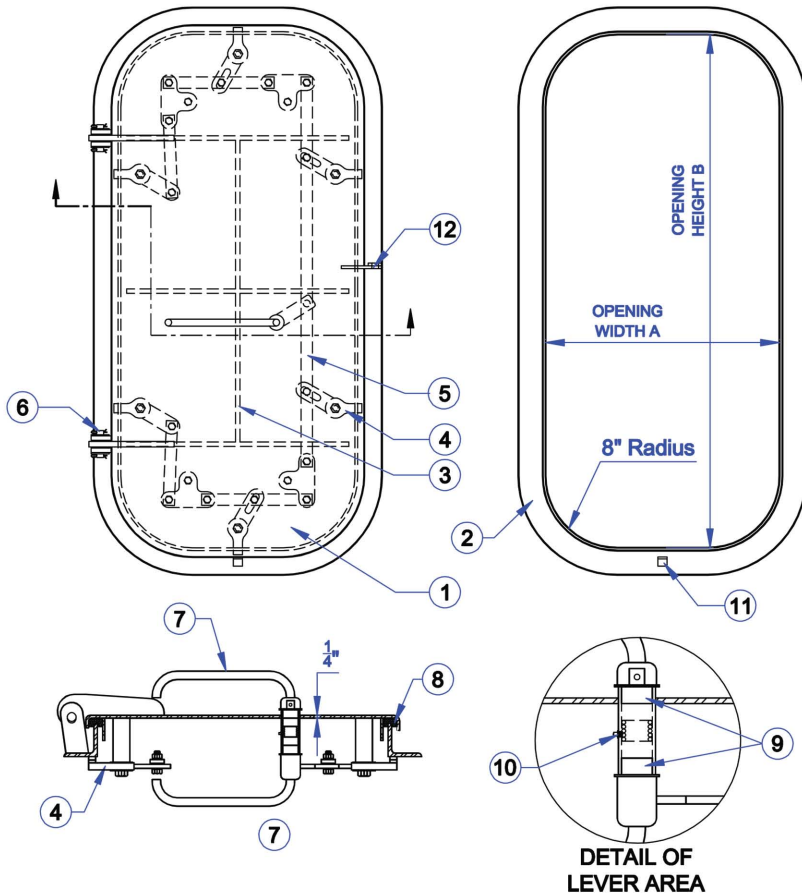
1250 Gateway Drive
Gallatin, Tennessee 37066
615-442-1300



NABRICO



(LEFT HAND/RIGHT HAND)
DOOR ORIENTATION



No.	DESCRIPTION	MATERIAL
1	DOOR PANEL ASSEMBLY	STEEL
2	COAMING ASSEMBLY	STEEL
3	STIFFENER BAR	STEEL
4	DOG LEVER ASSEMBLY	STAINLESS
5	DOG CONNECTOR BAR	STAINLESS
6	HINGE PIN ASSEMBLY	STAINLESS
7	HAND LEVER ASSEMBLY	STAINLESS
8	DOOR GASKET	NEOPRENE
9	BUSHING	NYLON
10	GREASE FITTING	STAINLESS
11	DOOR CENTERING LUG	STEEL
12	LOCKING HASP	STEEL

THE DOOR SHOWN IN THE DRAWING IS CONSIDERED A LEFT HAND DOOR WITH THE HINGE AREA POSITIONED ON THE LEFT SIDE.

A RIGHT HAND DOOR WOULD BE THE OPPOSITE WITH THE HINGE AREA POSITIONED ON THE RIGHT SIDE.

LEFT HAND SINGLE LEVER (6 DOG) DOOR SPECIFICATION TABLE

MODEL No.	SIZE	A	B	CUT-OUT DIMS.			WEIGHT LBS.
				A	B	RADIUS	
DF-630-2460	24x60	24"	60"	27"	63"	11"	437
DF-630-2472	24x72	24"	72"	27"	75"	11"	451
DF-630-2866	28x66	28"	66"	31"	69"	11"	448
DF-630-2872	28x72	28"	72"	31"	75"	11"	526
DF-630-3054	30x54	30"	54"	33"	57"	11"	433
DF-630-3060	30x60	30"	60"	33"	63"	11"	480
DF-630-3072	30x72	30"	72"	33"	75"	11"	500
DF-630-3666	36x66	36"	66"	39"	69"	11"	535
DF-630-3672	36x72	36"	72"	39"	75"	11"	579

RIGHT HAND SINGLE LEVER (6 DOG) DOOR SPECIFICATION TABLE

MODEL No.	SIZE	A	B	CUT-OUT DIMS.			WEIGHT LBS.
				A	B	RADIUS	
DF-630-2460	24x60	24"	60"	27"	63"	11"	437
DF-630-2472	24x72	24"	72"	27"	75"	11"	451
DF-630-2866	28x66	28"	66"	31"	69"	11"	448
DF-630-2872	28x72	28"	72"	31"	75"	11"	526
DF-630-3054	30x54	30"	54"	33"	57"	11"	433
DF-630-3060	30x60	30"	60"	33"	63"	11"	480
DF-630-3072	30x72	30"	72"	33"	75"	11"	500
DF-630-3666	36x66	36"	66"	39"	69"	11"	535
DF-630-3672	36x72	36"	72"	39"	75"	11"	579

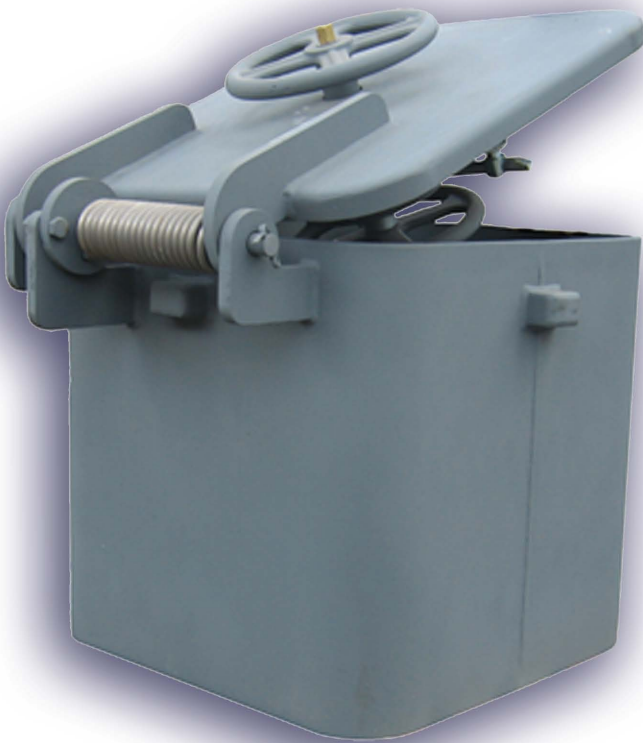
SINGLE LEVER (6 DOG) WEATHERTIGHT DOOR

Nabrico Products
www.nabrico-marine.com

1250 Gateway Drive
Gallatin, Tennessee 37066
615-442-1300

HATCHES

NABRICO puts over 100 years of experience into our hatches. NABRICO's familiarity with water transportation and NABRICO's engineering ingenuity has produced a vast array of hatch options. Whether your needs require a dogged, T-handle, single bolt, twist-lock, multi-bolt, or multi-screw, NABRICO has you covered. NABRICO hatches are produced in a variety of sizes and coaming options. Contact NABRICO to tailor a hatch to your specific needs.



MULTI-BOLT

ROUND & OVAL HATCH	58-59
ROUND & OVAL 6 PSI	60-61
ROUND & OVAL RAISED STUD	62-63
ROUND & OVAL FLUSH	64-67
ROUND & OVAL FLUSH SCREW	68-69
SQUARE FLUSH SCREW	70

FLUSH & RAISED WATERTIGHT

FLUSH WATERTIGHT	71-72
RAISED SINGLE BOLT	73-74

QUICK ACTING

ESCAPE/SCUTTLE	75-76
RAISED/FLUSH QUICK ACTING	77-79

TWIST LOCK

FLUSH TWIST LOCK	80
------------------	----

DOGGED

SINGLE DOG ULLAGE	81-82
3 DOG RAISED	83
SINGLE DOG ROUND	84
2 DOG OVAL	85-86
4 DOG ROUND OVAL	87-88
6 DOG OVAL	89
6 DOG ROUND & OVAL 6 PSI	90-91
8 DOG SQUARE	92
2 BOLT OVAL	93
VALVE REMOVAL	94

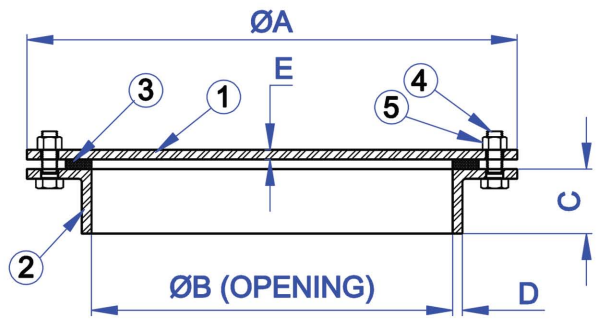
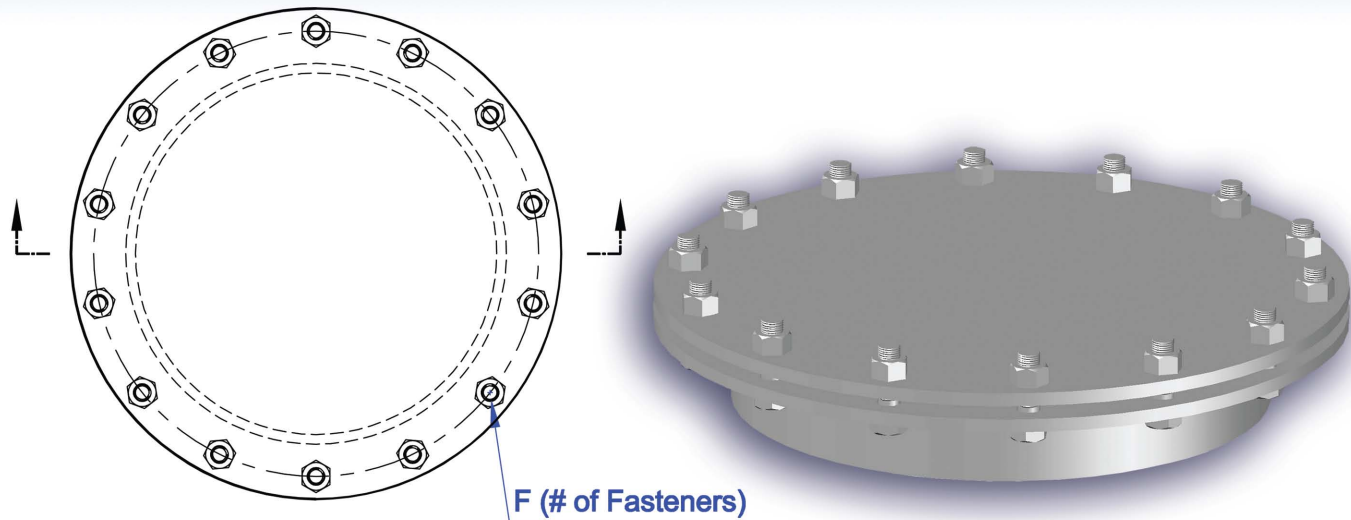


Nabrico Products
www.nabrico-marine.com

1250 Gateway Drive
Gallatin, Tennessee 37066
615-442-1300



NABRICO



PIECE No.	DESCRIPTION	PART NUMBER		MATERIAL
		DF-154-14	DF-154-18	
1	COVER PLATE	76767	77216	STEEL
2	COAMING	76783	77232	STEEL
3	GASKET	76775	77224	NEOPRENE
4	HEX HEAD BOLT	14613		STEEL
5	HEX NUT	16179		BRASS

MODEL No.	PART No.	SIZE	ØA	ØB	C	D	E	F	WT. (lbs.)
DF-154-14	15407	14"	19"	14"	2 1/2"	3/8"	3/8"	12	60
DF-154-18	77240	18"	23"	18"	2 1/2"	3/8"	3/8"	16	78

- 1- ADDITIONAL COAMING HEIGHTS AVAILABLE.
- 2- OTHER BOLT, NUT AND WASHER COMBINATIONS AVAILABLE.
- 3- OTHER GASKET MATERIALS AVAILABLE.

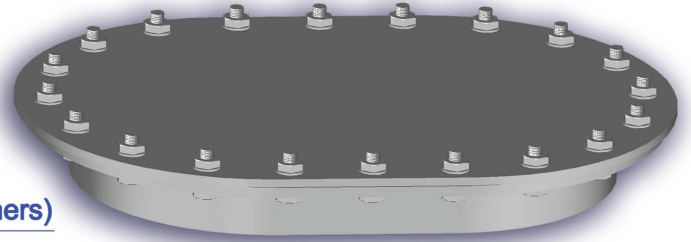
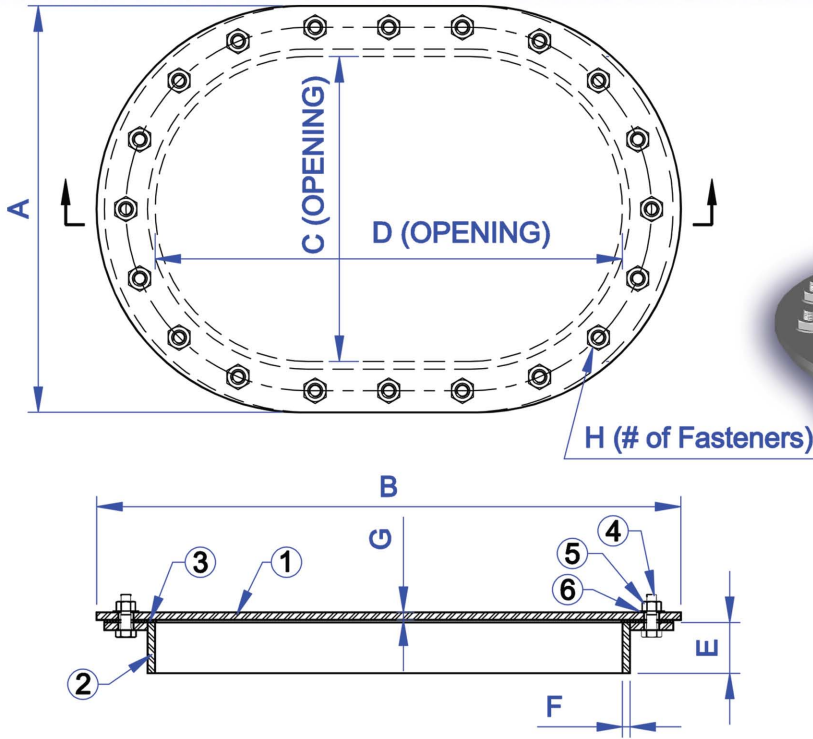
RAISED MULTI-BOLT CLEAN OUT HATCH

Nabrico Products
www.nabrico-marine.com

1250 Gateway Drive
 Gallatin, Tennessee 37066
 615-442-1300



NABRICO



PIECE No.	DESCRIPTION	PART NUMBER		MATERIAL
		DF-501	DF-502	
1	COVER PLATE	21342	21350	STEEL
2	COAMING	21369	21377	STEEL
3	GASKET	21385	21393	NEOPRENE
4	HEX HEAD BOLT	14605		STEEL
5	HEX NUT	21245		STAINLESS
6	WASHER	21237		BRASS

MODEL No.	PART No.	SIZE	A	B	C	D	E	F	G	H	WT. (lbs.)
DF-501	21091	15x23	20"	28 3/4"	15"	23"	2 1/2"	3/8"	3/8"	20	85
DF-502	21105	18x24	23"	29 3/4"	18"	24"	2 1/2"	3/8"	3/8"	24	106

- 1- ADDITIONAL COAMING HEIGHTS AVAILABLE.
- 2- OTHER BOLT, WASHER AND NUT COMBINATIONS AVAILABLE.
- 3- OTHER GASKET MATERIALS AVAILABLE.

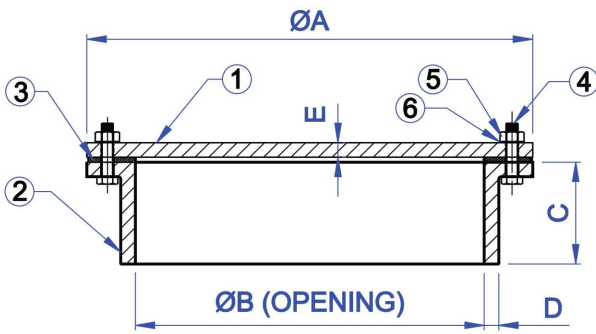
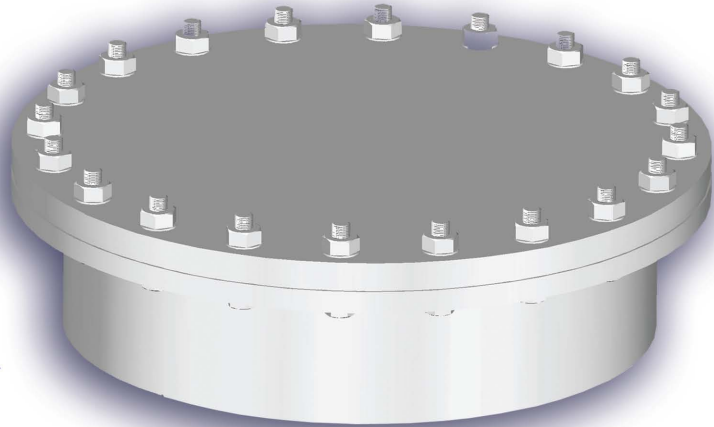
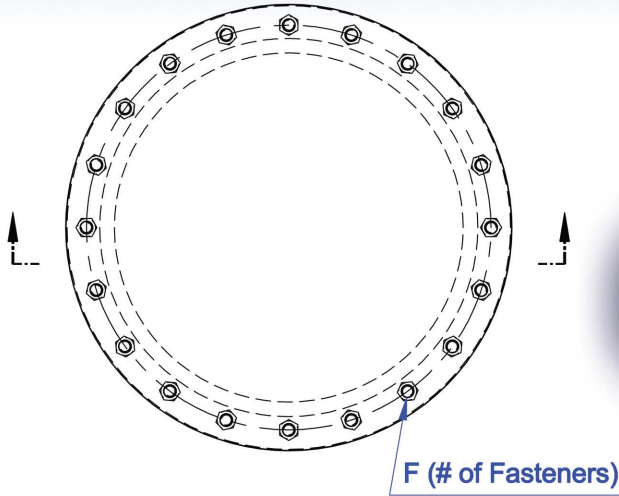
RAISED MULTI-BOLT OVAL HATCH

Nabrico Products
www.nabrico-marine.com

1250 Gateway Drive
 Gallatin, Tennessee 37066
 615-442-1300



NABRICO



PIECE No.	DESCRIPTION	PART No.	MATERIAL
1	COVER PLATE	77228	STAINLESS
2	COAMING ASSEMBLY	77232	STAINLESS
3	GASKET	77231	GARLOCK
4	HEX HEAD BOLT	451	STAINLESS
5	HEX NUT	452	STAINLESS
6	WASHER	453	STAINLESS

MODEL No.	PART No.	SIZE	ØA	ØB	C	D	E	F	WT. (lbs.)
DF-157-18	77227	18"	23"	18"	5"	3/8"	3/4"	20	186

1- OTHER BOLT, NUT AND WASHER COMBINATIONS AVAILABLE.

2- OTHER GASKET MATERIALS AVAILABLE.

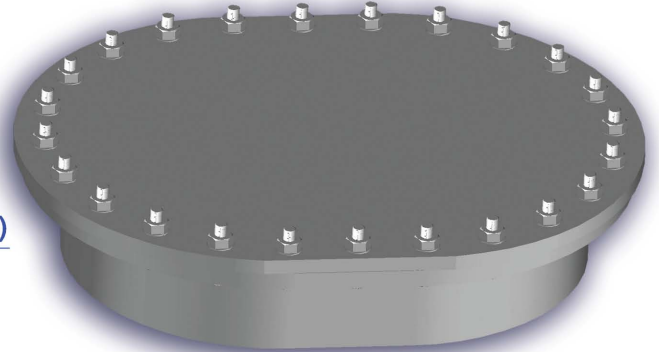
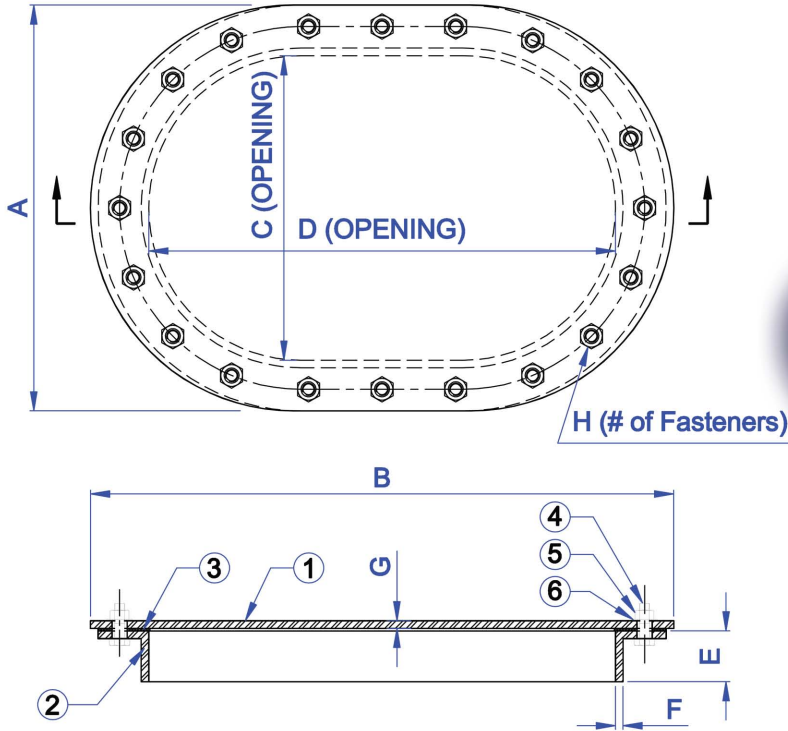
RAISED (6 PSI) MULTI-BOLT ROUND HATCH

Nabrico Products
www.nabrico-marine.com

1250 Gateway Drive
 Gallatin, Tennessee 37066
 615-442-1300



NABRICO



PIECE No.	DESCRIPTION	PART No.	MATERIAL
1	COVER PLATE	21153	STAINLESS
2	COAMING	21171	STAINLESS
3	GASKET	21156	GARLOCK
4	HEX HEAD BOLT	451	STAINLESS
5	HEX NUT	452	STAINLESS
6	WASHER	453	STAINLESS

MODEL No.	PART No.	SIZE	A	B	C	D	E	F	G	H	WT. (lbs.)
DF-506	21152	18x24	23"	29 7/16"	18"	24 3/8"	5 1/4"	3/8"	3/4"	24	252

- 1- OTHER BOLT, NUT AND WASHER COMBINATIONS AVAILABLE.
- 2- OTHER GASKET MATERIALS AVAILABLE.

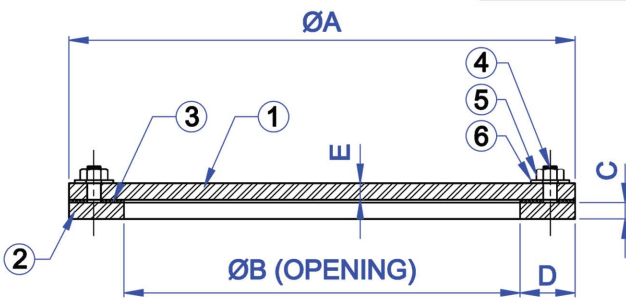
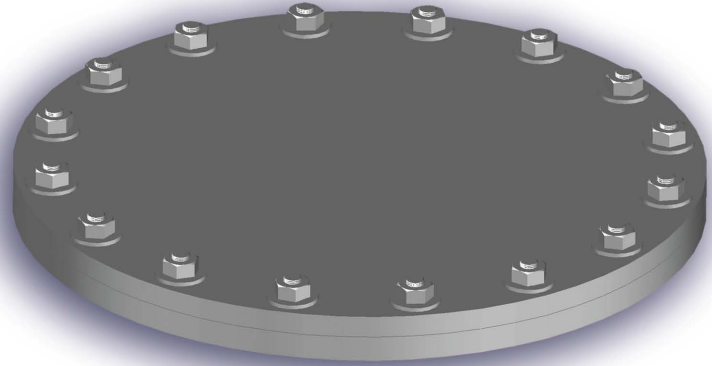
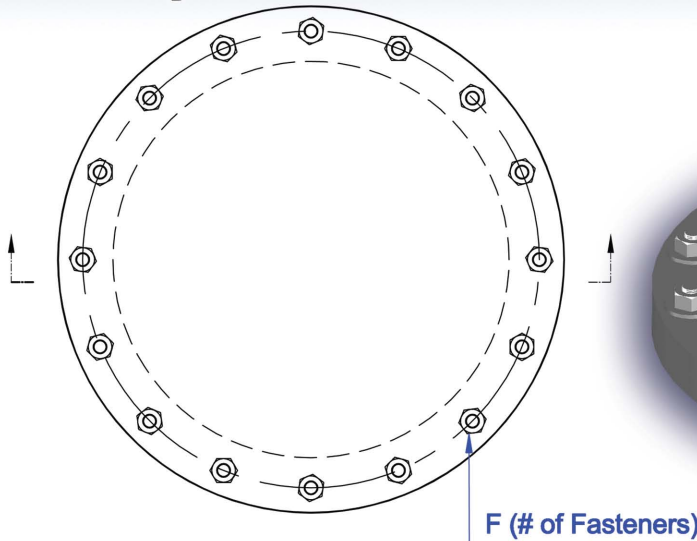
RAISED (6 PSI) MULTI-BOLT OVAL HATCH

Nabrico Products
www.nabrico-marine.com

1250 Gateway Drive
 Gallatin, Tennessee 37066
 615-442-1300



NABRICO



PIECE No.	DESCRIPTION	MATERIAL
1	COVER PLATE	STEEL
2	COAMING RING	STEEL
3	GASKET	NEOPRENE
4	THREADED STUD	STAINLESS
5	HEX NUT	BRASS
6	WASHER	STAINLESS

MODEL No.	PART No.	SIZE	ØA	ØB	C	D	E	F	WT. (lbs.)
DF-549-18	30608	18"	23 1/2"	18 1/2"	2"	2 1/2"	3/4"	16	100
DF-549-20	30610	20"	25 1/2"	20 1/2"	2"	2 1/2"	3/4"	18	115

1- OTHER GASKET MATERIALS AVAILABLE.

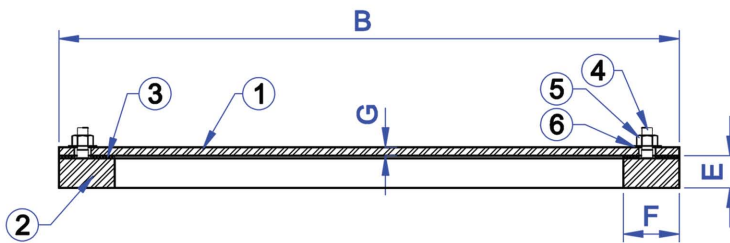
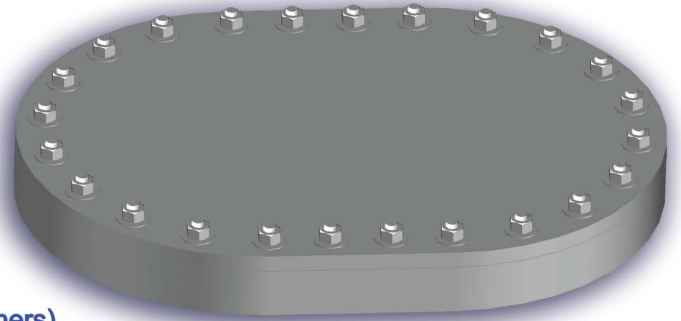
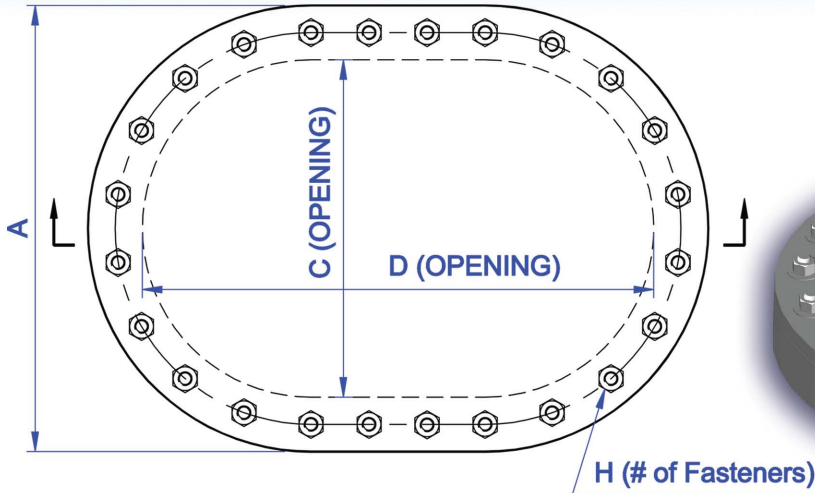
RAISED MULTI-STUD ROUND HATCH

Nabrico Products
www.nabrico-marine.com

1250 Gateway Drive
 Gallatin, Tennessee 37066
 615-442-1300



NABRICO



PIECE No.	DESCRIPTION	PART No.		MATERIAL
		DF-548-1523	DF-548-2230	
1	COVER PLATE	93203	93300	STEEL
2	COAMING RING	93211	93319	STEEL
3	GASKET	93238	93327	NEOPRENE
4	THREADED STUD	93246		STAINLESS
5	HEX	16179		BRASS
6	WASHER	453		STAINLESS

MODEL No.	PART No.	SIZE	A	B	C	D	E	F	G	H	WT. (lbs.)
DF-548-1523	93149	15x23	20 1/2"	28 1/2"	15 1/2"	23 1/2"	2"	2 1/2"	3/4"	24	111
DF-548-2230	93297	22x30	27 1/2"	35 1/2"	22 1/2"	30 1/2"	2"	2 1/2"	3/4"	32	153

1- OTHER GASKET MATERIALS AVAILABLE.

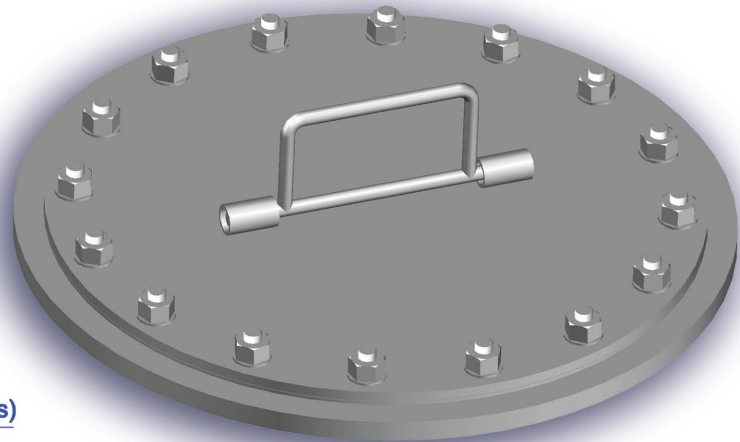
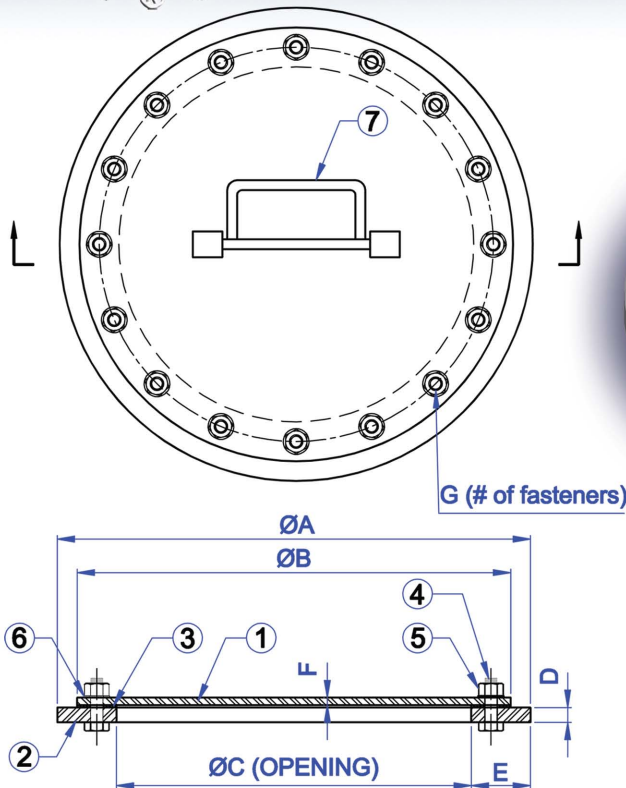
RAISED MULTI-STUD OVAL HATCH

Nabrico Products
www.nabrico-marine.com

1250 Gateway Drive
 Gallatin, Tennessee 37066
 615-442-1300



NABRICO



PIECE No.	DESCRIPTION	MATERIAL
1	COVER PLATE	STEEL
2	DECK RING	STEEL
3	GASKET	NEOPRENE
4	HEX HEAD BOLT	STEEL
5	HEX NUT	STAINLESS
6	WASHER	BRASS
7	GRAB HANDLE	STEEL

MODEL No.	PART No.	SIZE	ØA	ØB	ØC	D	E	F	G	WT. (lbs.)
DF-155-14	21127	14"	20"	17 1/2"	14"	3/4"	3"	3/8"	14	75
DF-155-18	21151	18"	24"	21 1/2"	18"	3/4"	3"	3/8"	16	90
DF-155-20	21155	20"	26"	23 1/2"	20"	3/4"	3"	3/8"	18	100

1- OTHER GASKET MATERIALS AVAILABLE.

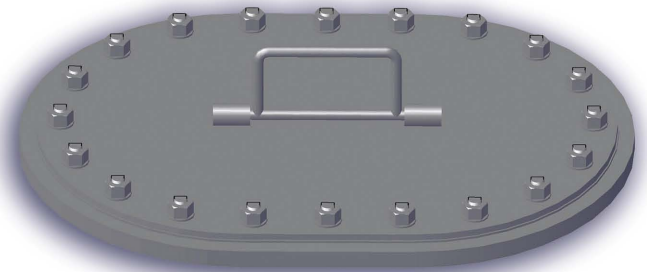
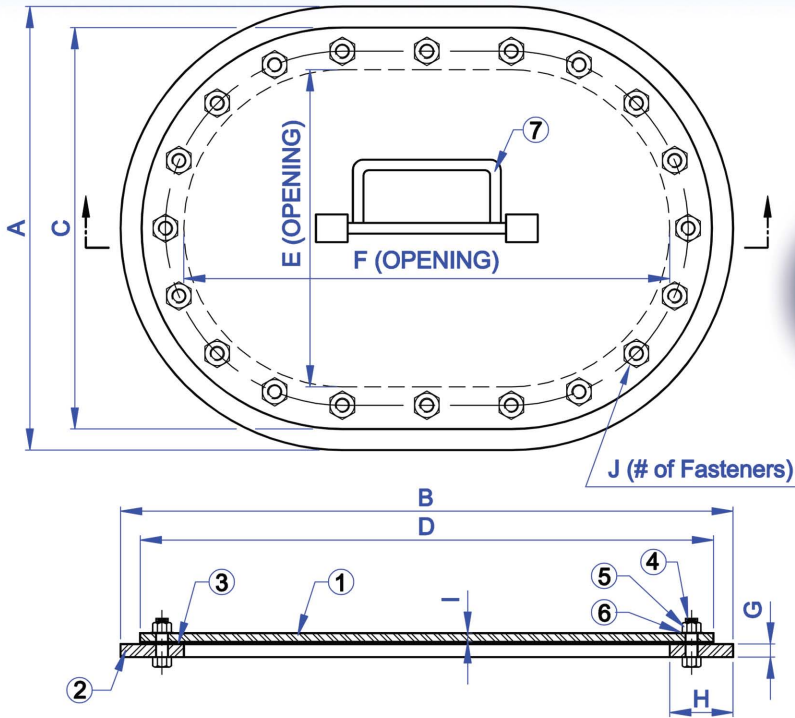
FLUSH MULTI-BOLT CLEAN OUT HATCH

Nabrico Products
www.nabrico-marine.com

1250 Gateway Drive
 Gallatin, Tennessee 37066
 615-442-1300



NABRICO



PIECE No.	DESCRIPTION	PART NUMBER		MATERIAL
		DF-503	DF-504	
1	COVER PLATE	21229	21318	STEEL
2	DECK RING	21253	21326	STEEL
3	GASKET	21296	21334	NEOPRENE
4	HEX HEAD BOLT	14613		STEEL
5	HEX NUT	21245		STAINLESS
6	WASHER	21237		BRASS
7	HANDLE	21261		STEEL
8	HANDLE RETAINER	21288		STEEL

MODEL No.	PART No.	SIZE	A	B	C	D	E	F	G	H	I	J	WT. (lbs.)
DF-503	21113	15x23	21"	29"	18 1/2"	26 1/2"	15"	23"	3/4"	3"	3/8"	20	95
DF-504	21121	18x24	24"	30"	21 1/2"	27 1/2"	18"	24"	3/4"	3"	3/8"	24	112

1- OTHER BOLT, NUT AND WASHER COMBINATIONS AVAILABLE.

2- OTHER GASKET MATERIALS AVAILABLE.

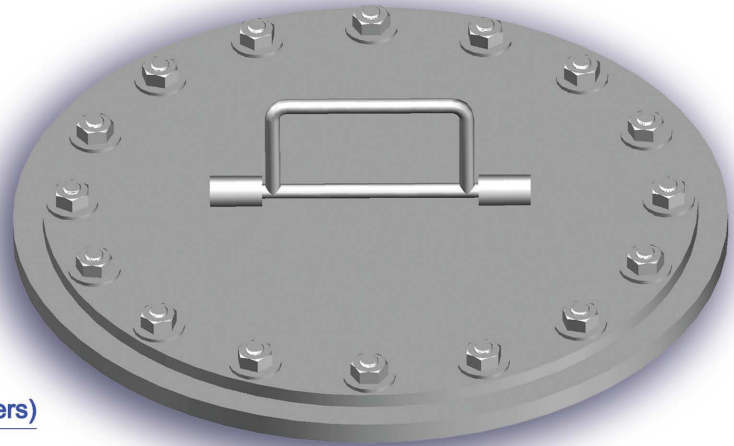
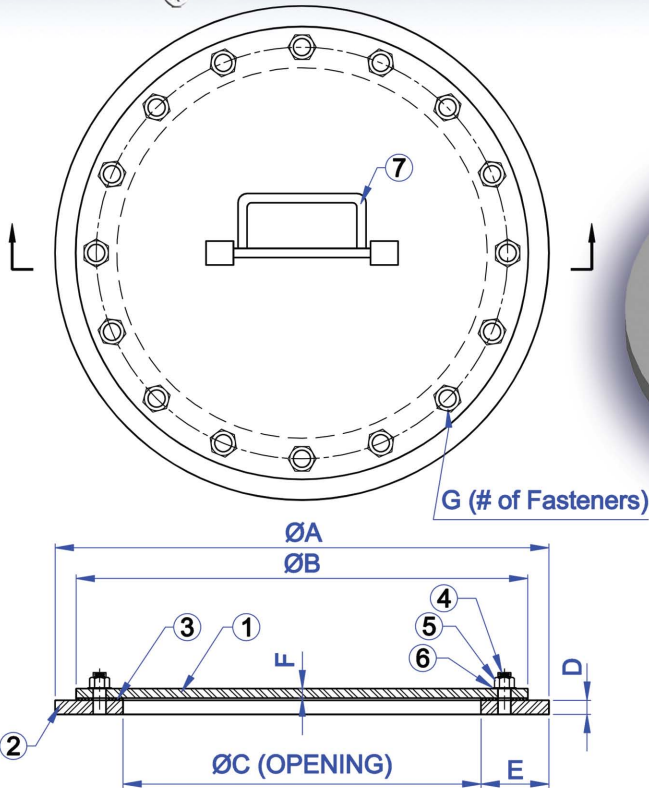
FLUSH MULTI-BOLT OVAL HATCH

Nabrico Products
www.nabrico-marine.com

1250 Gateway Drive
 Gallatin, Tennessee 37066
 615-442-1300



NABRICO



PIECE No.	DESCRIPTION	MATERIAL
1	COVER PLATE	STEEL
2	DECK RING	STEEL
3	GASKET	NEOPRENE
4	THREADED STUD	STAINLESS
5	HEX NUT	STAINLESS
6	WASHER	BRASS
7	HANDLE	STEEL

MODEL No.	PART No.	SIZE	ØA	ØB	ØC	D	E	F	G	WT. (lbs.)
DF-509-14	30614	14"	20"	17 1/2"	14"	3/4"	3"	3/8"	14	75
DF-509-18	30616	18"	24"	21 1/2"	18"	3/4"	3"	3/8"	16	90
DF-509-20	30618	20"	26"	23 1/2"	20"	3/4"	3"	3/8"	18	100

1- OTHER GASKET MATERIALS AVAILABLE.

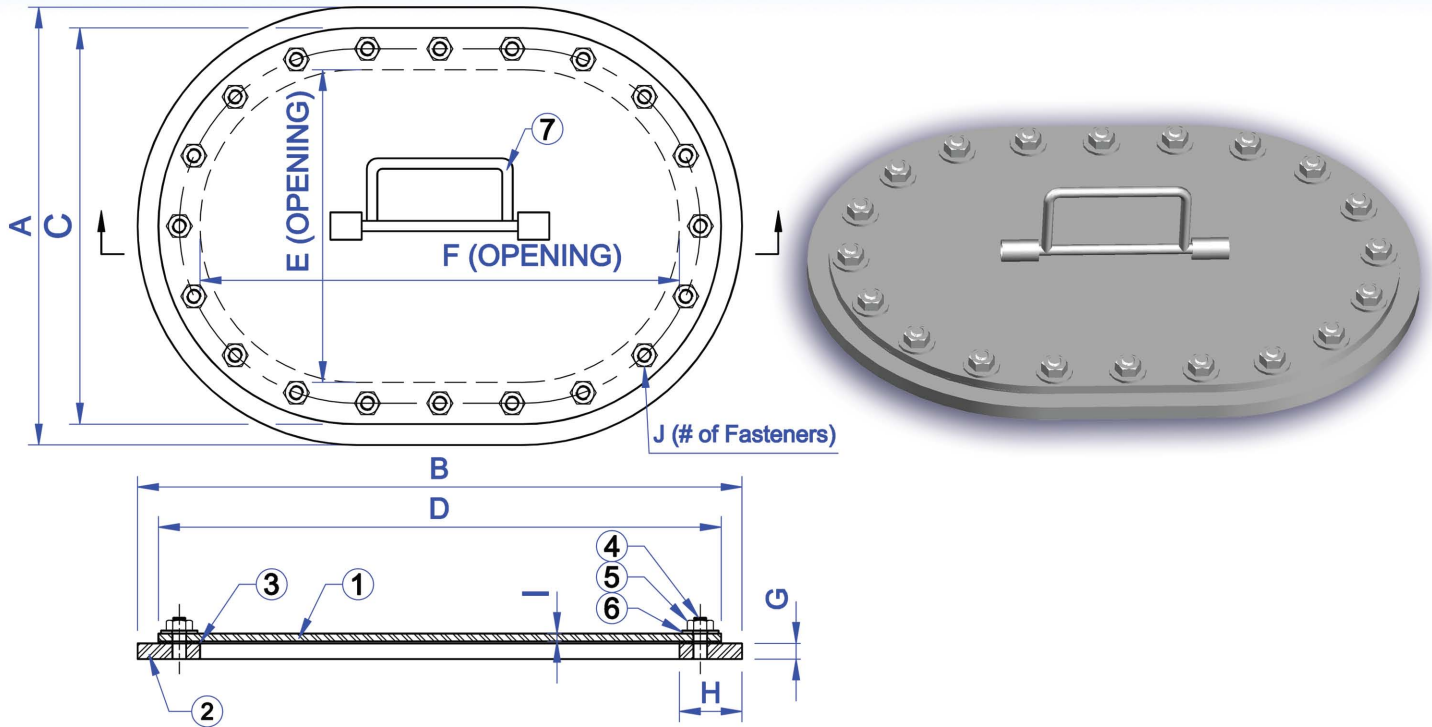
FLUSH MULTI-STUD ROUND HATCH

Nabrico Products
www.nabrico-marine.com

1250 Gateway Drive
 Gallatin, Tennessee 37066
 615-442-1300



NABRICO



PIECE No.	DESCRIPTION	MATERIAL
1	COVER PLATE	STEEL
2	DECK RING	STEEL
3	GASKET	NEOPRENE
4	THREADED STUD	STAINLESS
5	HEX NUT	STAINLESS
6	WASHER	BRASS
7	HANDLE	STEEL

MODEL No.	PART No.	SIZE	A	B	C	D	E	F	G	H	I	J	WT. (lbs.)
DF-510	30151	15x23	21"	29"	18 1/2"	26 1/2"	15"	23"	3/4"	3"	3/8"	20	95
DF-510	30152	18x24	24"	30"	21 1/2"	27 1/2"	18"	24"	3/4"	3"	3/8"	24	112

1- OTHER GASKET MATERIALS AVAILABLE.

FLUSH MULTI-STUD OVAL HATCH

Nabrico Products
www.nabrico-marine.com

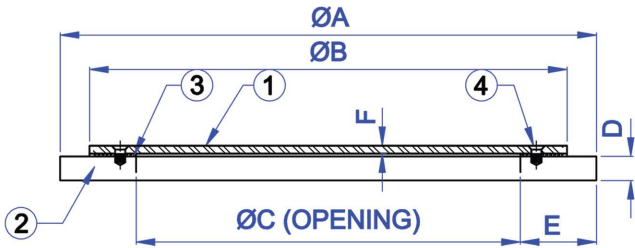
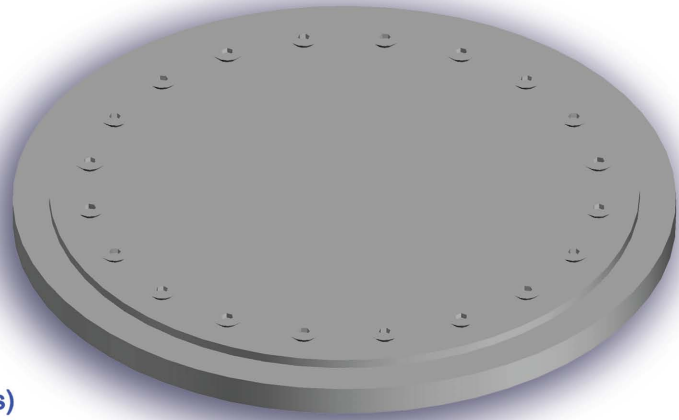
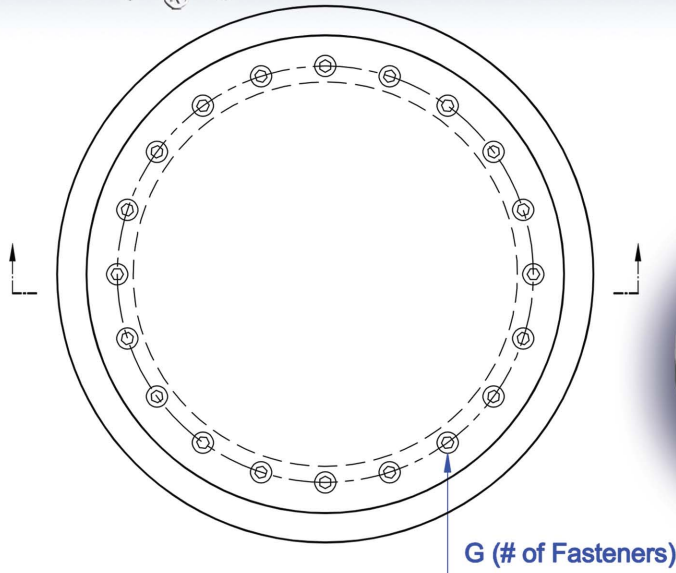
67

1250 Gateway Drive
 Gallatin, Tennessee 37066
 615-442-1300

The specifications and details described by drawings or text in this literature are subject to change without notice.



NABRICO



PIECE No.	DESCRIPTION	MATERIAL
1	COVER PLATE	STEEL
2	DECK RING	STEEL
3	GASKET	NEOPRENE
4	FLAT HEAD SOCKET SCREW	STAINLESS

MODEL No.	PART No.	SIZE	ØA	ØB	ØC	D	E	F	G	WT. (lbs.)
DF-507-14	21083	14"	21 1/8"	18 3/8"	14"	1 1/8"	3 9/16"	3/8"	16	75
DF-507-18	21139	18"	25 1/8"	22 3/8"	18"	1 1/8"	3 9/16"	3/8"	20	83
DF-507-20	21150	20"	27 1/8"	24 3/8"	20"	1 1/8"	3 9/16"	3/8"	22	96

1- OTHER GASKET MATERIALS AVAILABLE.

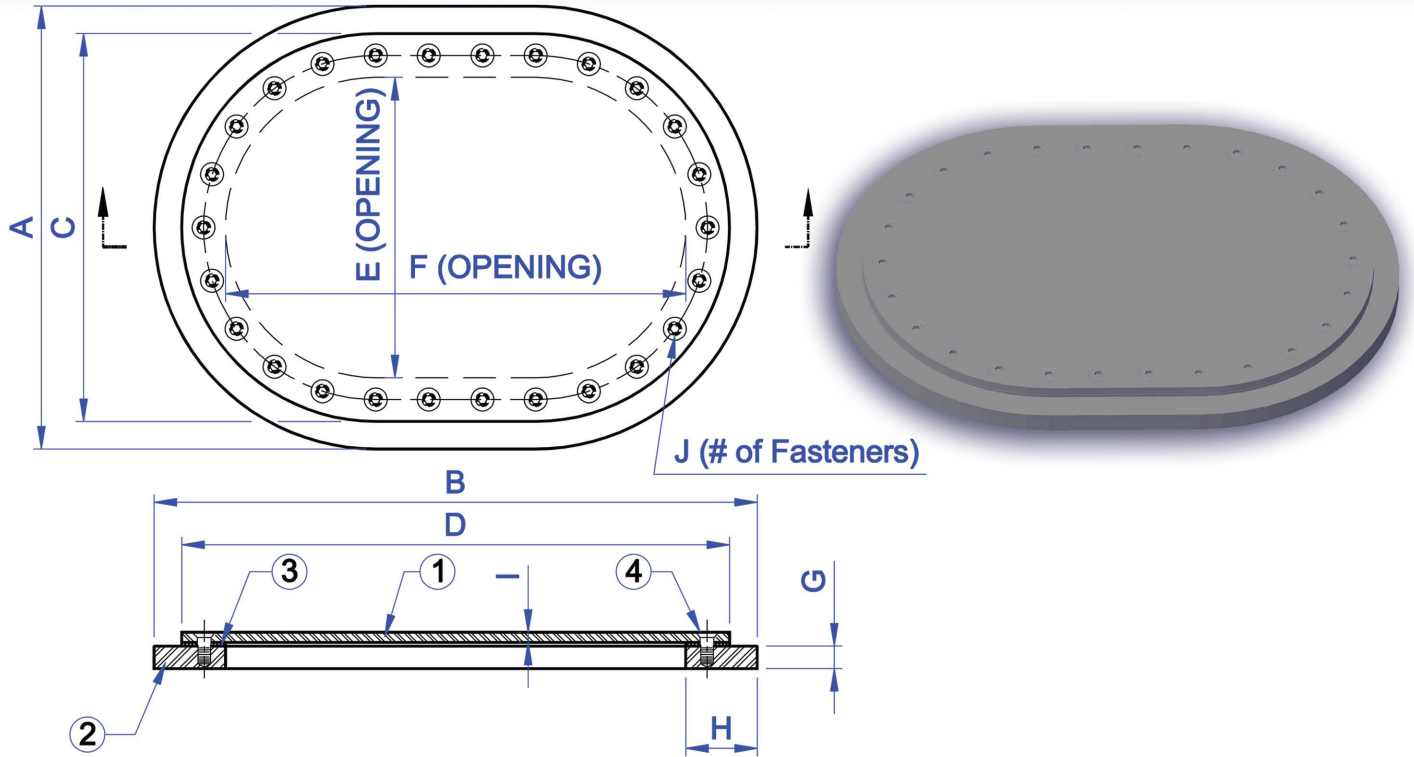
FLUSH MULTI-SCREW ROUND HATCH

Nabrico Products
www.nabrico-marine.com

1250 Gateway Drive
 Gallatin, Tennessee 37066
 615-442-1300



NABRICO



PIECE No.	DESCRIPTION	PART No.	MATERIAL
1	COVER PLATE	21181	STEEL
2	DECK RING	21210	STEEL
3	GASKET	21202	NEOPRENE
4	FLAT HEAD SOCKET SCREW	21199	STAINLESS

MODEL No.	PART No.	SIZE	A	B	C	D	E	F	G	H	I	J	WT. (lbs.)
DF-505	21148	15x23	22 1/8"	30 1/8"	19 3/8"	27 3/8"	15"	23"	1 1/8"	3 9/16"	1/2"	26	160

1- OTHER GASKET MATERIALS AVAILABLE.

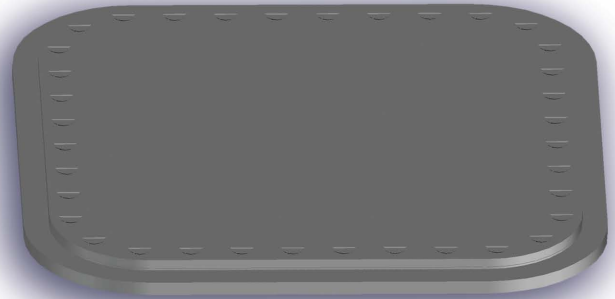
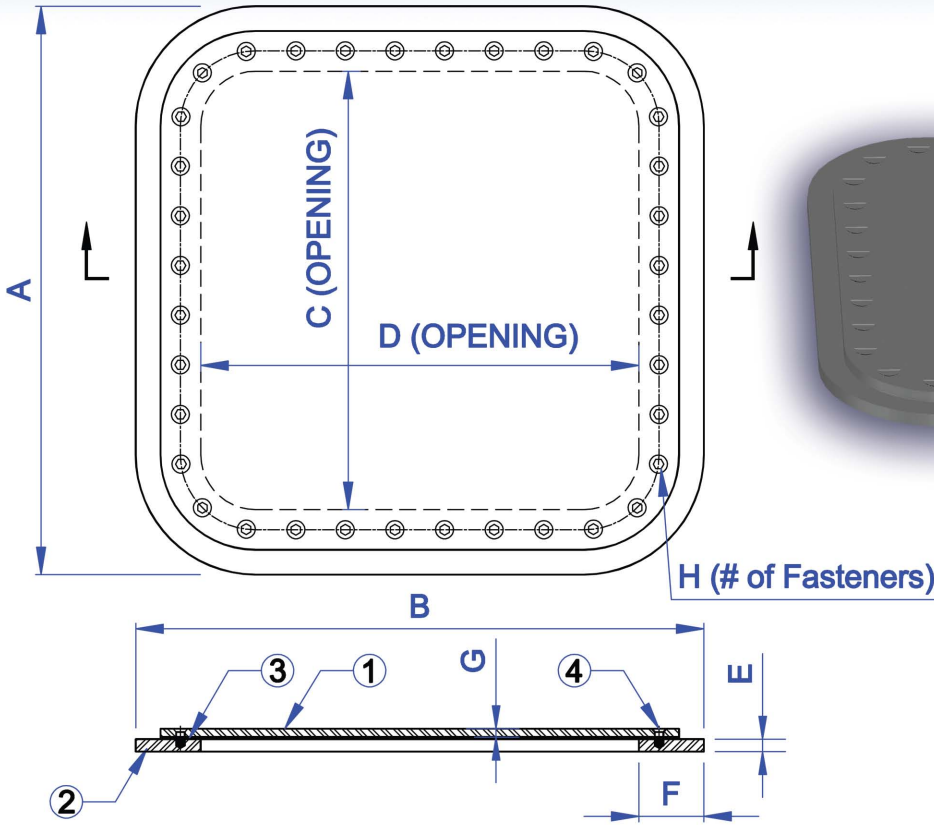
FLUSH MULTI-SCREW OVAL HATCH

Nabrico Products
www.nabrico-marine.com

1250 Gateway Drive
 Gallatin, Tennessee 37066
 615-442-1300



NABRICO



PIECE No.	DESCRIPTION	MATERIAL
1	COVER PLATE	STEEL
2	DECK RING	STEEL
3	GASKET	NEOPRENE
4	FLAT HEAD SOCKET SCREW	STAINLESS

MODEL No.	PART No.	SIZE	A	B	C	D	E	F	G	H	WT. (lbs.)
DF-508	21145	24x24	31 1/8"	31 1/8"	24"	24"	3/4"	3 9/16"	1/2"	36	191

1- OTHER GASKET MATERIALS AVAILABLE.

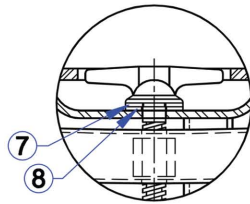
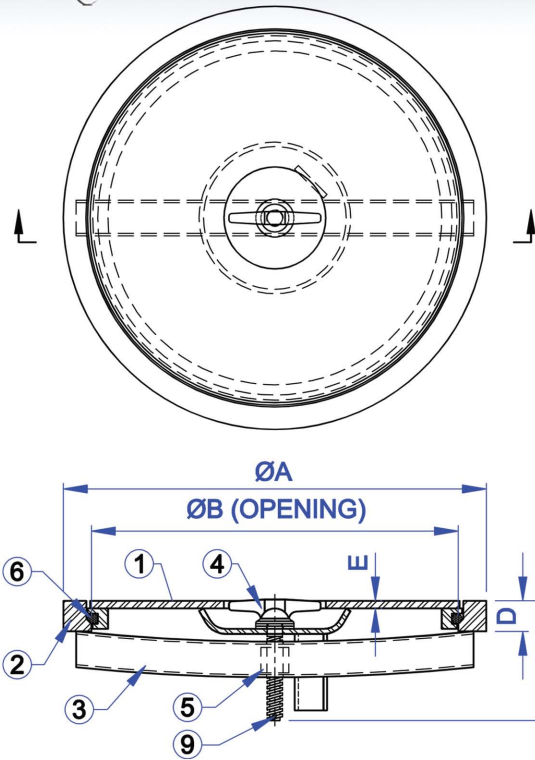
FLUSH MULTI-SCREW SQUARE HATCH

Nabrico Products
www.nabrico-marine.com

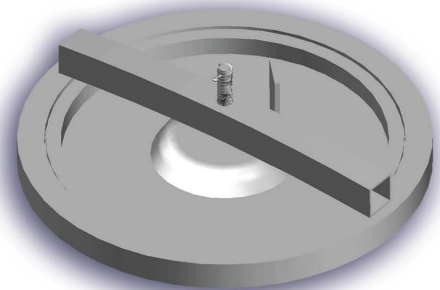
1250 Gateway Drive
 Gallatin, Tennessee 37066
 615-442-1300



NABRICO



DETAIL OF T-HANDLE AREA



PIECE No.	DESCRIPTION	PART No.		MATERIAL
		DF-430-18D	DF-430-24D	
1	HATCH COVER ASSEMBLY	6769	15342	STEEL
2	DECK RING	6750	15334	STEEL
3	STRONGBACK	6300	13870	GALVANIZED STEEL
4	T-HANDLE	16993		STAINLESS
5	ACME THREADED NUT	507		BRASS
6	HATCH GASKET	17256	6548	NEOPRENE
7	WASHER	604		BRASS
8	WASHER GASKET	6556		NEOPRENE
9	COTTER PIN	21639		STAINLESS

MODEL No.	PART No.	SIZE	ØA	ØB	C	D	E	WT. (lbs.)
DF-430-18D	6297	18"	20 3/4"	18"	5 7/8"	1 1/2"	3/8"	70
DF-430-24D	6270	24"	26 3/4"	24"	5 7/8"	1 1/2"	3/8"	120

- 1- HATCH ALSO AVAILABLE IN STAINLESS STEEL.
- 2- OPTIONAL T-HANDLE AVAILABLE FOR ACCESS FROM BELOW.
- 3- OTHER GASKET MATERIALS AVAILABLE.

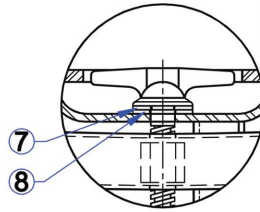
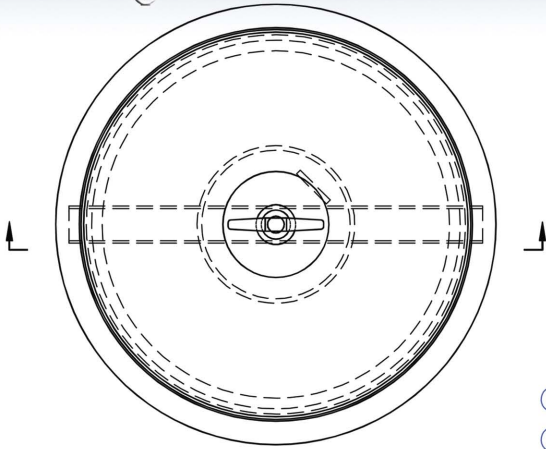
FLUSH WATERTIGHT T-HANDLE HATCH

Nabrico Products
www.nabrico-marine.com

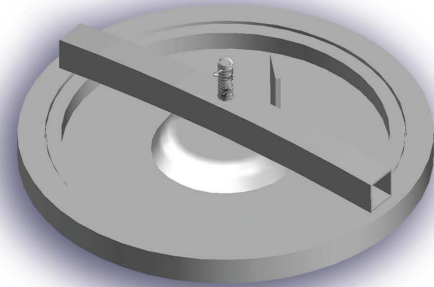
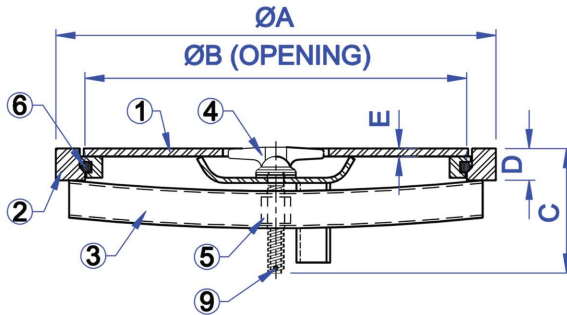
1250 Gateway Drive
 Gallatin, Tennessee 37066
 615-442-1300



NABRICO



DETAIL OF T-HANDLE AREA



PIECE No.	DESCRIPTION	PART No.		MATERIAL
		DF-430-18D	DF-430-24D	
1	HATCH COVER ASSEMBLY	20391	15343	GALVANIZED STEEL
2	DECK RING	6751	15335	GALVANIZED STEEL
3	STRONGBACK	6300	13870	GALVANIZED STEEL
4	T-HANDLE	16993		STAINLESS
5	ACME THREADED NUT	507		BRASS
6	HATCH GASKET	17256	6548	NEOPRENE
7	WASHER	604		BRASS
8	WASHER GASKET	6556		NEOPRENE
9	COTTER PIN	21639		STAINLESS

MODEL No.	PART No.	SIZE	ØA	ØB	C	D	E	WT. (lbs.)
DF-430-18D	6335	18"	20 3/4"	18"	5 7/8"	1 1/2"	3/8"	70
DF-430-24D	6289	24"	26 3/4"	24"	5 7/8"	1 1/2"	3/8"	120

1- OPTIONAL T-HANDLE AVAILABLE FOR ACCESS FROM BELOW.

2- OTHER GASKET MATERIALS AVAILABLE.

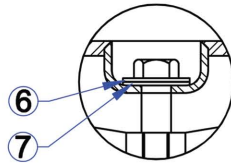
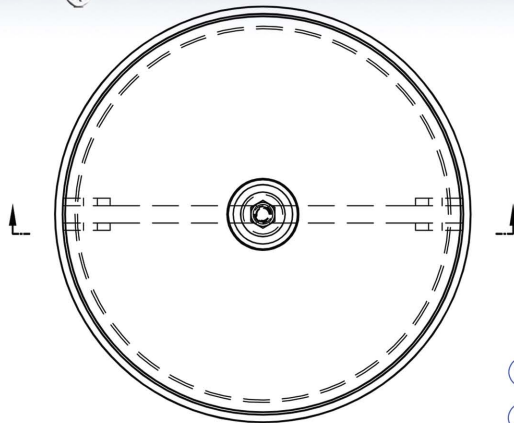
FLUSH GALVANIZED WATERTIGHT T-HANDLE HATCH

Nabrico Products
www.nabrico-marine.com

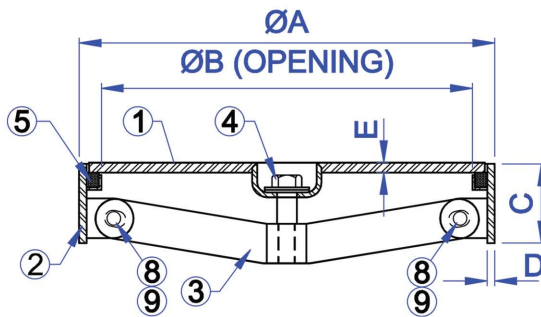
1250 Gateway Drive
 Gallatin, Tennessee 37066
 615-442-1300



NABRICO



DETAIL OF BOLT AREA



PIECE No.	DESCRIPTION	PART No.			MATERIAL
		DF-540-1775	DF-540-1975	DF-540-2175	
1	HATCH COVER ASSEMBLY	92673	92924	92932	STEEL
2	COAMING ASSEMBLY	92681	92959	92967	STEEL
3	STRONGBACK ASSEMBLY	92762	93041	93068	STEEL
4	HEX HEAD BOLT	92746			STAINLESS
5	HATCH GASKET	92703	92983	92991	NEOPRENE
6	WASHER	92908			BRASS
7	WASHER GASKET	92711			NEOPRENE
8	CLEVIS PIN	92770			GALVANIZED STEEL
9	COTTER PIN	92789			STAINLESS

MODEL No.	PART No.	SIZE	ØA	ØB	C	D	E	WT. (lbs.)
DF-540-1775	89915	17 3/4"	20"	17 3/4"	4"	3/8"	1/2"	90
DF-540-1975	93017	19 3/4"	22"	19 3/4"	4"	3/8"	1/2"	100
DF-540-2175	93025	21 3/4"	24"	21 3/4"	4"	3/8"	1/2"	115

- 1- COAMING ASSEMBLY INCLUDES HATCH GASKET.
- 2- HATCH ALSO AVAILABLE IN GALVANIZED AND STAINLESS STEEL.
- 3- OTHER GASKET MATERIALS AVAILABLE.

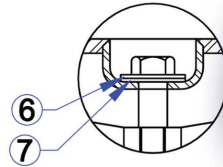
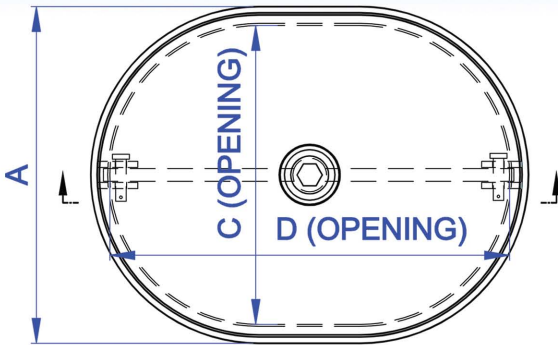
RAISED WATERTIGHT SINGLE BOLT ROUND HATCH

Nabrico Products
www.nabrico-marine.com

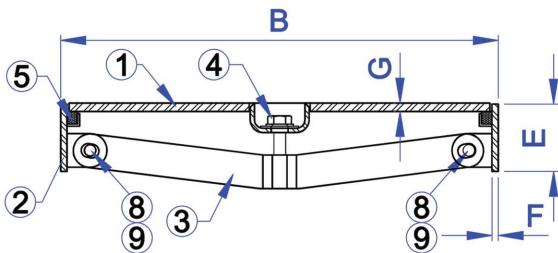
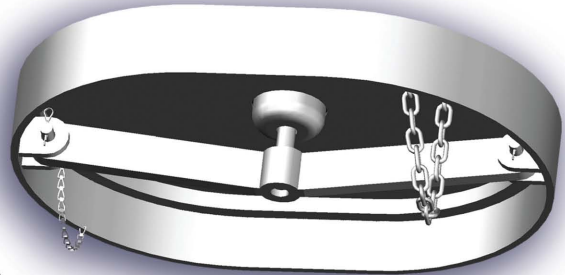
1250 Gateway Drive
 Gallatin, Tennessee 37066
 615-442-1300



NABRICO



DETAIL OF BOLT AREA



PIECE No.	DESCRIPTION	PART No.	MATERIAL
1	HATCH COVER ASSEMBLY	93039	STEEL
2	COAMING ASSEMBLY	93043	STEEL
3	STRONGBACK ASSEMBLY	93045	STEEL
4	HEX HEAD BOLT	92746	STAINLESS
5	HATCH GASKET	93050	NEOPRENE
6	WASHER	92908	BRASS
7	WASHER GASKET	92711	NEOPRENE
8	CLEVIS PIN	92770	GALVANIZED STEEL
9	COTTER PIN	92789	STAINLESS

MODEL No.	PART No.	SIZE	A	B	C	D	E	F	G	WT. (lbs.)
DF-540-1824	93001	18x24	20 1/4"	26 1/4"	18"	24"	4"	3/8"	1/2"	180

- 1- COAMING ASSEMBLY INCLUDES HATCH GASKET.
- 2- HATCH ALSO AVAILABLE IN GALVANIZED AND STAINLESS STEEL.
- 3- OTHER GASKET MATERIALS AVAILABLE.

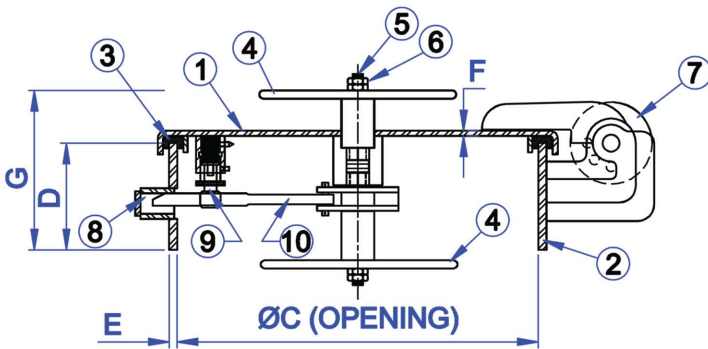
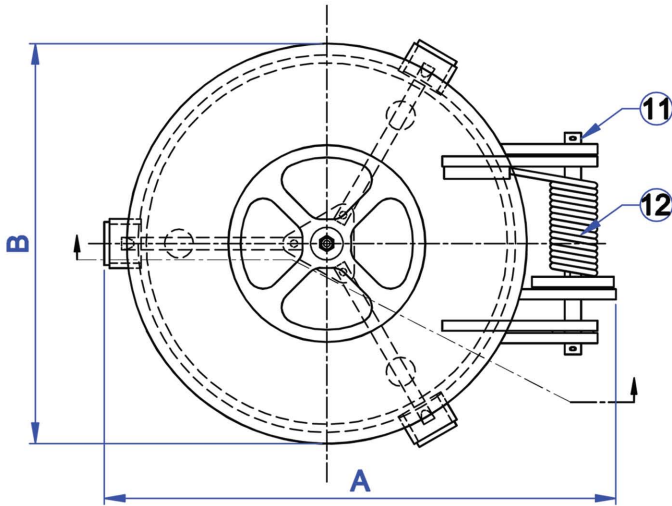
RAISED WATERTIGHT SINGLE BOLT OVAL HATCH

Nabrico Products
www.nabrico-marine.com

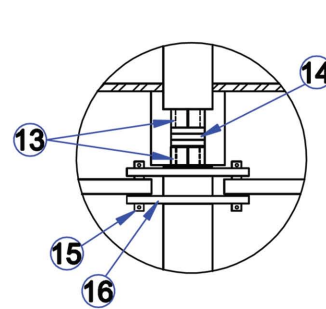
1250 Gateway Drive
 Gallatin, Tennessee 37066
 615-442-1300



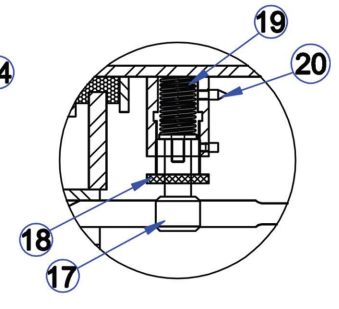
NABRICO



No.	DESCRIPTION	MATERIAL
1	HATCH COVER ASSEMBLY	STEEL
2	COAMING ASSEMBLY	STEEL
3	HATCH GASKET	NEOPRENE
4	HANDWHEEL ASSEMBLY	STEEL
5	CENTER SHAFT	STAINLESS
6	JAM NUT	STAINLESS
7	ADJUSTING SPROCKET	STEEL
8	DOG POCKET ASSEMBLY	STEEL
9	SWIVEL GUIDE ASSEMBLY	-
10	DOG ARM	STAINLESS
11	HINGE PIN	STAINLESS
12	HINGE SPRING	STAINLESS
13	BUSHING	NYLON
14	PACKING	GRAPHITE
15	DOG ARM PIN	STAINLESS
16	ROTATING BLOCK ASSEMBLY	STEEL
17	SWIVEL GUIDE	BRASS
18	ADJUSTMENT BUTTON	STEEL
19	SWIVEL GUIDE SPRING	STAINLESS
20	GREASE FITTING	STAINLESS



DETAIL OF DOG ARM HINGE AREA



DETAIL OF SWIVEL GUIDE AREA

MODEL No.	PART No.	SIZE	A	B	ØC	D	E	F	G	WT. (lbs.)
DF-546-18	18401	18"	27 1/4"	20 3/8"	18"	6"	1/2"	5/16"	9 1/2"	140
DF-546-20	38010	20"	29 1/4"	22 3/8"	20"	6"	1/2"	5/16"	9 1/2"	160
DF-546-22	37995	22"	31 1/4"	24 3/8"	22"	6"	1/2"	5/16"	9 1/2"	180

- 1- ADDITIONAL COAMING HEIGHTS AVAILABLE.
- 2- ADDITIONAL OPENING DIMENSIONS AVAILABLE.
- 3- OTHER GASKET MATERIALS AVAILABLE.

RAISED WATERTIGHT QUICK ACTING ESCAPE HATCH

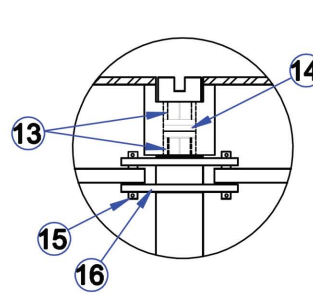
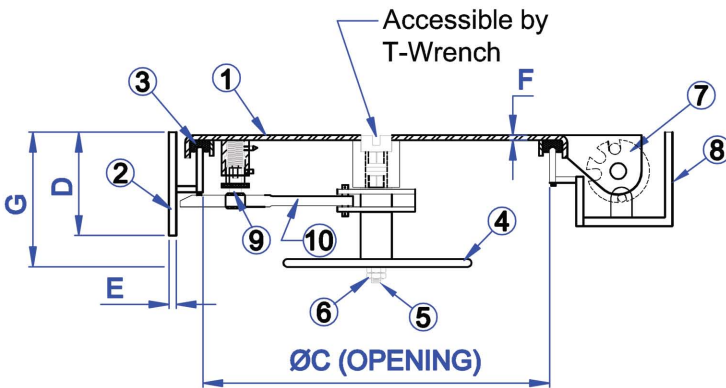
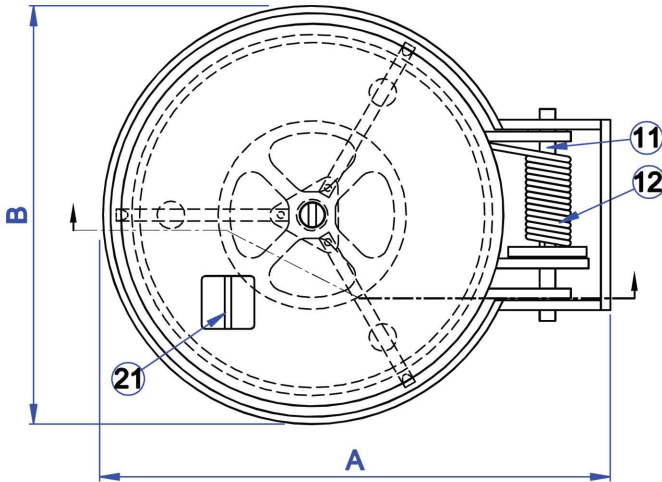
Nabrico Products
www.nabrico-marine.com

1250 Gateway Drive
 Gallatin, Tennessee 37066
 615-442-1300

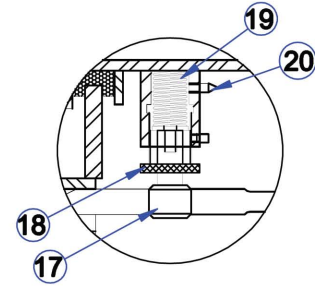


NABRICO

No.	DESCRIPTION	MATERIAL
1	HATCH COVER ASSEMBLY	STEEL
2	COAMING ASSEMBLY	STEEL
3	HATCH GASKET	NEOPRENE
4	HANDWHEEL ASSEMBLY	STEEL
5	CENTER SHAFT	STAINLESS
6	JAM NUT	STAINLESS
7	ADJUSTING SPROCKET	STEEL
8	HINGE BOX ASSEMBLY	STEEL
9	SWIVEL GUIDE ASSEMBLY	-
10	DOG ARM	STEEL
11	HINGE PIN	STAINLESS
12	HINGE SPRING	STAINLESS
13	BUSHING	NYLON
14	PACKING	GRAPHITE
15	DOG ARM PIN	STAINLESS
16	ROTATING BLOCK ASSEMBLY	STEEL
17	SWIVEL GUIDE	BRASS
18	ADJUSTMENT BUTTON	STEEL
19	SWIVEL GUIDE SPRING	STAINLESS
20	GREASE FITTING	STAINLESS
21	GRAB HANDLE	STEEL



DETAIL OF DOG ARM HINGE AREA



DETAIL OF SWIVEL GUIDE AREA

MODEL No.	PART No.	SIZE	A	B	ØC	D	E	F	G	WT. (lbs.)
DF-549-18	18406	18"	28 1/16"	22 3/8"	18"	6"	1/2"	5/16"	6 3/8"	140
DF-549-20	18407	20"	30 1/16"	24 3/8"	20"	6"	1/2"	5/16"	6 3/8"	160
DF-549-22	18408	22"	32 1/16"	26 3/8"	22"	6"	1/2"	5/16"	6 3/8"	180

- 1- ADDITIONAL COAMING HEIGHTS AVAILABLE.
- 2- ADDITIONAL OPENING DIMENSIONS AVAILABLE.
- 3- OTHER GASKET MATERIALS

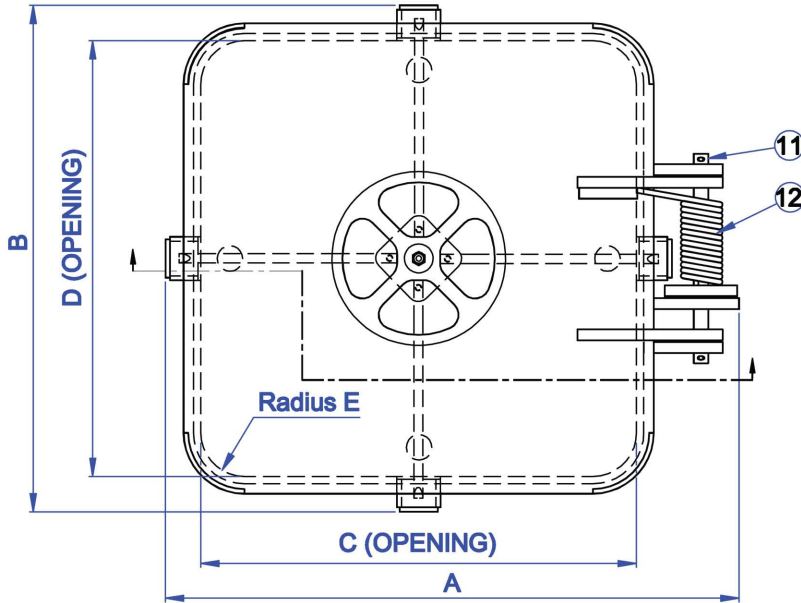
FLUSH WATERTIGHT QUICK ACTING ESCAPE HATCH

Nabrico Products
www.nabrico-marine.com

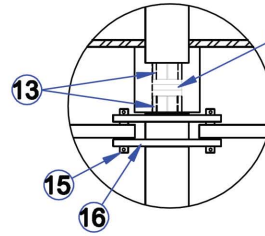
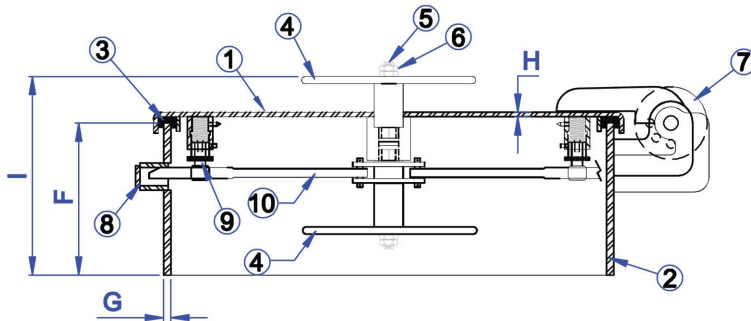
1250 Gateway Drive
 Gallatin, Tennessee 37066
 615-442-1300



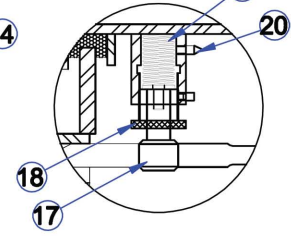
NABRICO



No.	DESCRIPTION	MATERIAL
1	HATCH COVER ASSEMBLY	STEEL
2	COAMING ASSEMBLY	STEEL
3	HATCH GASKET	NEOPRENE
4	HANDWHEEL ASSEMBLY	STEEL
5	CENTER SHAFT	STAINLESS
6	JAM NUT	STAINLESS
7	ADJUSTING SPROCKET	STEEL
8	DOG POCKET ASSEMBLY	STEEL
9	SWIVEL GUIDE ASSEMBLY	-
10	DOG ARM	STAINLESS
11	HINGE PIN	STAINLESS
12	HINGE SPRING	STAINLESS
13	BUSHING	NYLON
14	PACKING	GRAPHITE
15	DOG ARM PIN	STAINLESS
16	ROTATING BLOCK ASSEMBLY	STEEL
17	SWIVEL GUIDE	BRASS
18	ADJUSTMENT BUTTON	STEEL
19	SWIVEL GUIDE SPRING	STAINLESS
20	GREASE FITTING	STAINLESS



DETAIL OF DOG ARM HINGE AREA



DETAIL OF SWIVEL GUIDE AREA

MODEL No.	PART No.	SIZE	A	B	C	D	E	F	G	H	I	WT. (lbs.)
DF-615-2424	100081	24x24	33 11/16"	29 1/4"	24"	24"	3"	24"	1/2"	5/16"	27 1/2"	500
DF-615-3030	100083	30x30	39 11/16"	35 1/4"	30"	30"	3"	24"	1/2"	5/16"	27 1/2"	700
DF-615-3636	100100	36x36	45 11/16"	41 1/4"	36"	36"	3"	24"	1/2"	5/16"	27 1/2"	900

- 1- ADDITIONAL COAMING HEIGHTS AVAILABLE.
- 2- ADDITIONAL OPENING DIMENSIONS AVAILABLE.
- 3- OTHER GASKET MATERIALS AVAILABLE.

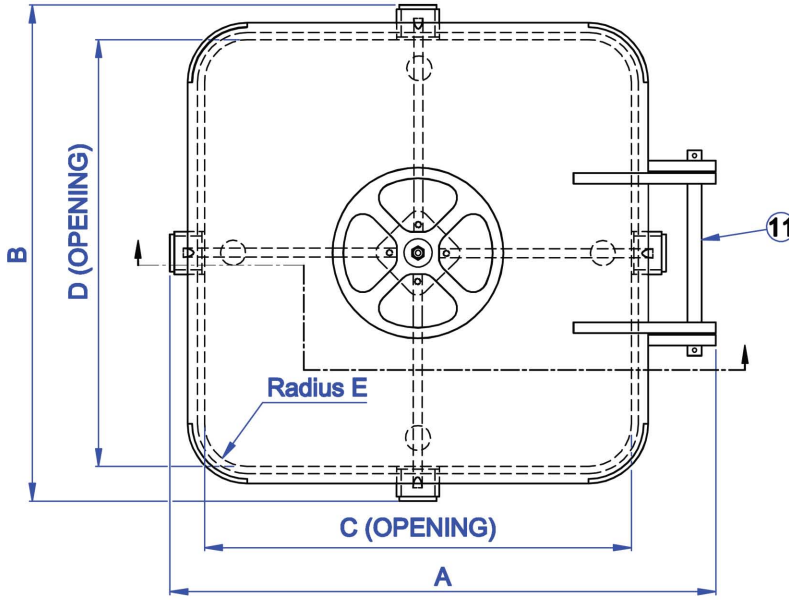
RAISED WATERTIGHT QUICK ACTING HATCH

Nabrico Products
www.nabrico-marine.com

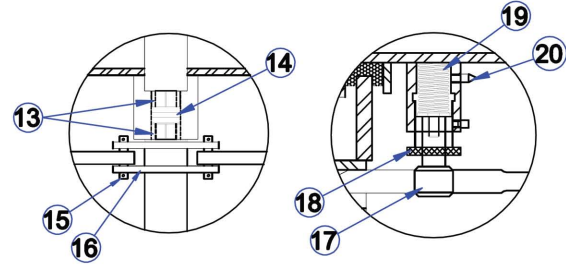
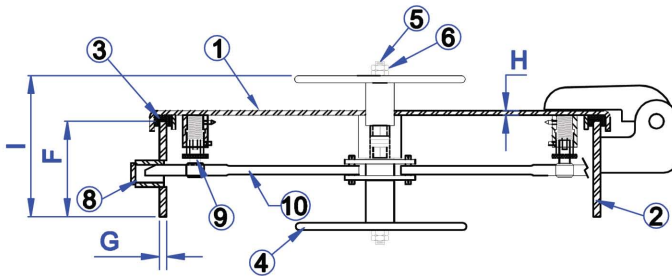
1250 Gateway Drive
 Gallatin, Tennessee 37066
 615-442-1300



NABRICO



No.	DESCRIPTION	MATERIAL
1	HATCH COVER ASSEMBLY	STEEL
2	COAMING ASSEMBLY	STEEL
3	HATCH GASKET	NEOPRENE
4	HANDWHEEL ASSEMBLY	STEEL
5	CENTER SHAFT	STAINLESS
6	JAM NUT	STAINLESS
7	DOG POCKET ASSEMBLY	STEEL
8	SWIVEL GUIDE ASSEMBLY	-
9	DOG ARM	STAINLESS
10	HINGE PIN	STAINLESS
11	BUSHING	NYLON
12	PACKING	GRAPHITE
13	DOG ARM PIN	STAINLESS
14	ROTATING BLOCK ASSEMBLY	STEEL
15	SWIVEL GUIDE	BRASS
16	ADJUSTMENT BUTTON	STEEL
17	SWIVEL GUIDE SPRING	STAINLESS
18	GREASE FITTING	STAINLESS



DETAIL OF DOG ARM HINGE AREA

DETAIL OF SWIVEL GUIDE AREA

MODEL No.	PART No.	SIZE	A	B	C	D	E	F	G	H	I	WT. (lbs.)
DF-590-2424	37950	24x24	33 9/16"	29 1/4"	24"	24"	3"	6"	1/2"	5/16"	9 1/2"	475

- 1- ADDITIONAL COAMING HEIGHTS AVAILABLE.
- 2- ADDITIONAL OPENING DIMENSIONS AVAILABLE.
- 3- OTHER GASKET MATERIALS AVAILABLE.

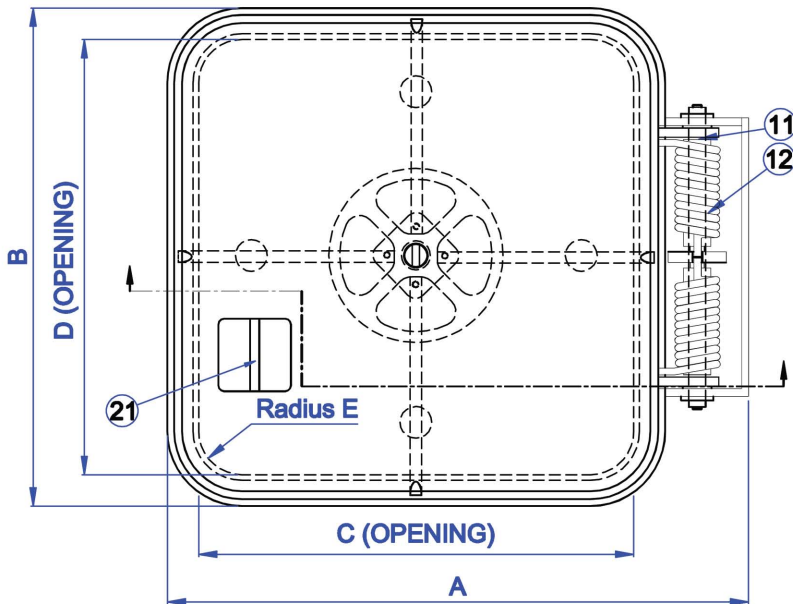
RAISED WATERTIGHT QUICK ACTING HATCH

Nabrico Products
www.nabrico-marine.com

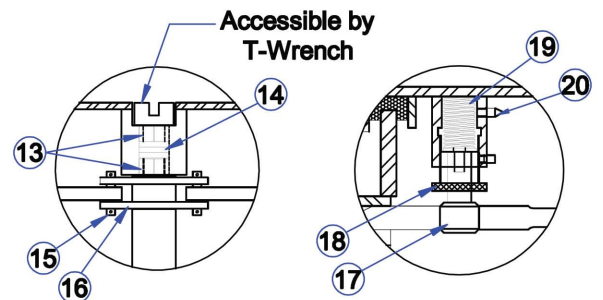
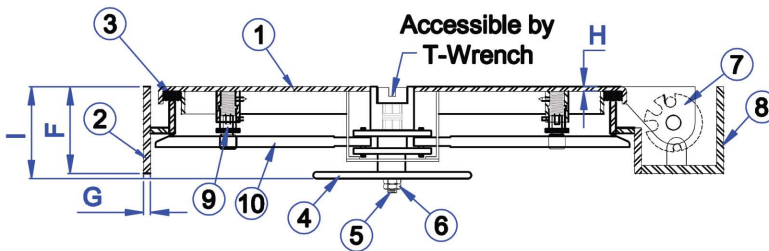
1250 Gateway Drive
 Gallatin, Tennessee 37066
 615-442-1300



NABRICO



No.	DESCRIPTION	MATERIAL
1	HATCH COVER ASSEMBLY	STEEL
2	COAMING ASSEMBLY	STEEL
3	HATCH GASKET	NEOPRENE
4	HANDWHEEL ASSEMBLY	STEEL
5	CENTER SHAFT	STAINLESS
6	JAM NUT	STAINLESS
7	ADJUSTING SPROCKET	STEEL
8	HINGE BOX ASSEMBLY	STEEL
9	SWIVEL GUIDE ASSEMBLY	-
10	DOG ARM	STAINLESS
11	HINGE PIN	STAINLESS
12	HINGE SPRING	STAINLESS
13	BUSHING	NYLON
14	PACKING	GRAPHITE
15	DOG ARM PIN	STAINLESS
16	ROTATING BLOCK ASSEMBLY	STEEL
17	SWIVEL GUIDE	BRASS
18	ADJUSTMENT BUTTON	STEEL
19	SWIVEL GUIDE SPRING	STAINLESS
20	GREASE FITTING	STAINLESS
21	GRAB HANDLE	STEEL



DETAIL OF DOG ARM HINGE AREA

DETAIL OF SWIVEL GUIDE AREA

MODEL No.	PART No.	SIZE	A	B	C	D	E	F	G	H	I	WT. (lbs.)
DF-595-2424	93011	24x24	34 1/16"	28 5/16"	24"	24"	3"	4"	1/2"	5/16"	6 3/8"	370
DF-595-3030	93000	30x30	40 1/16"	34 5/16"	30"	30"	3"	6"	1/2"	5/16"	6 3/8"	420

- 1- ADDITIONAL COAMING HEIGHTS AVAILABLE.
- 2- ADDITIONAL OPENING DIMENSIONS AVAILABLE.
- 3- OTHER GASKET MATERIALS AVAILABLE.

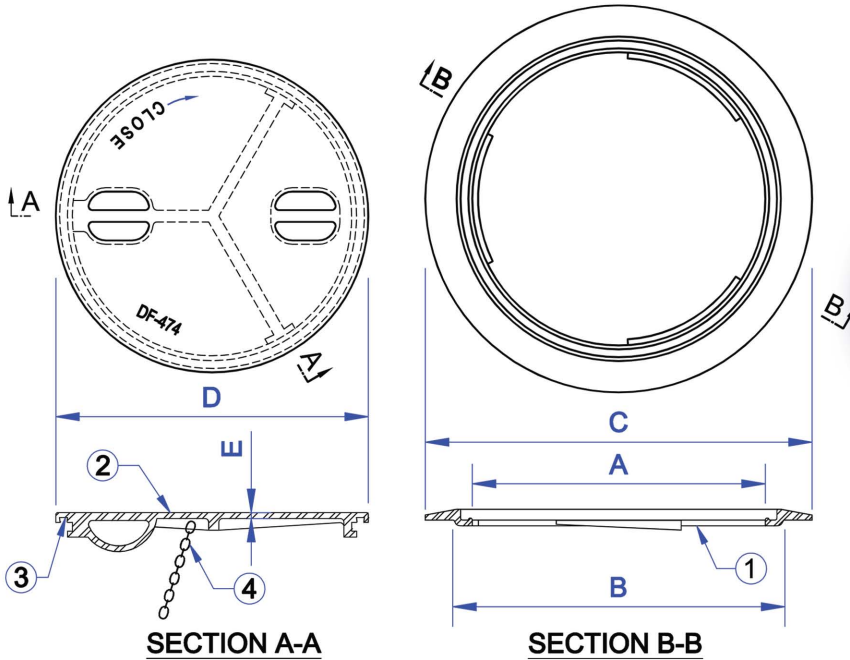
FLUSH WATERTIGHT QUICK ACTING HATCH

Nabrico Products
www.nabrico-marine.com

1250 Gateway Drive
 Gallatin, Tennessee 37066
 615-442-1300



NABRICO



PIECE No.	DESCRIPTION	PART No.	MATERIAL
1	DECK RING	82325	CAST STEEL
2	COVER	82333	CAST STEEL
3	GASKET	82341	NEOPRENE
4	CHAIN	82368	STEEL

MODEL No.	PART No.	SIZE	A	B	C	D	E	WT. (lbs.)
DF-474	82317	18"	18 3/4"	21 1/4"	24 3/4"	20"	3/8"	85

1- OTHER GASKET MATERIAL AVAILABLE.

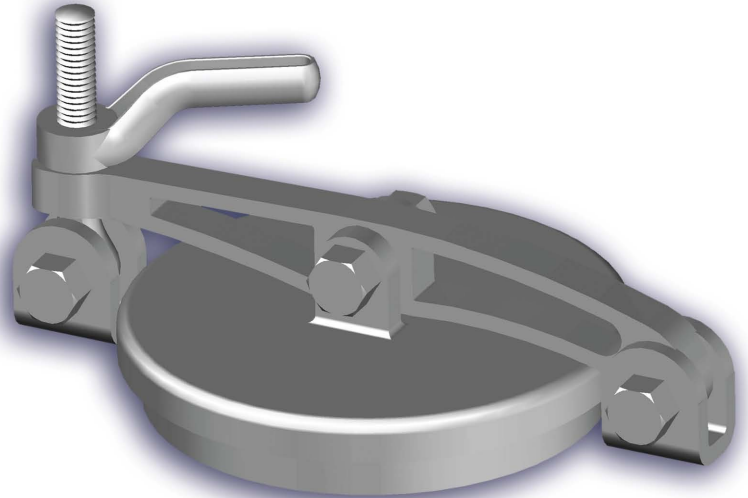
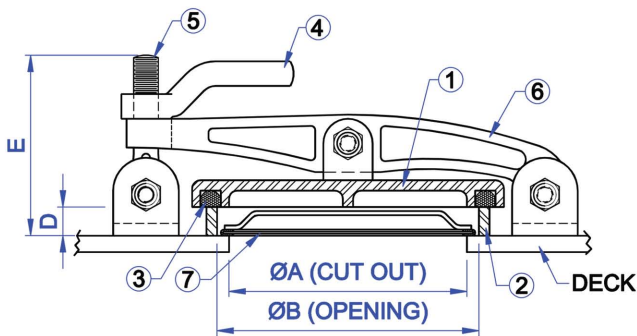
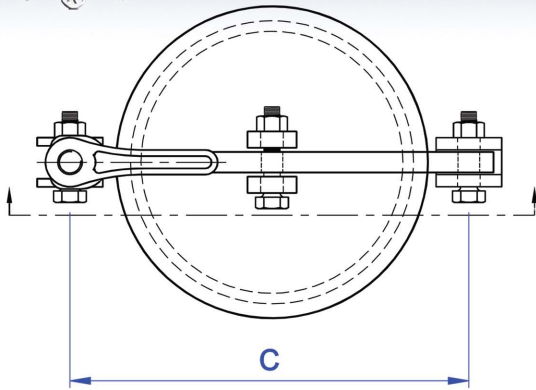
TWIST LOCK HATCH

Nabrico Products
www.nabrico-marine.com

1250 Gateway Drive
 Gallatin, Tennessee 37066
 615-442-1300



NABRICO



PIECE No.	DESCRIPTION	PART No.		MATERIAL
		DF-112	DF-144	
1	COVER ASSEMBLY	6636	6637	CAST IRON
2	COAMING RING	75665	75671	STEEL
3	GASKET	17169	17167	NEOPRENE
4	DOG HANDLE	74837		IRON
5	TUMBLE BOLT	10774		BRONZE
6	ULLAGE ARM	6831		CAST IRON
7	FLAME SCREEN	6628	6629	STAINLESS

MODEL No.	PART No.	SIZE	ØA	ØB	C	D	E	WT. (lbs.)
DF-112	6646	6"	5 1/2"	6 1/16"	12 1/4"	7/8"	6 1/2"	18
DF-144	6645	8"	7 1/2"	8 1/16"	12 1/4"	7/8"	6 1/2"	22

1- GASKET INCLUDED WITH COVER ASSEMBLY.
2- OTHER GASKET MATERIALS AVAILABLE.

3- TUMBLE BOLT ALSO AVAILABLE AS STAINLESS.
4- DOG HANDLE ALSO AVAILABLE AS SS, GALV'D OR BRONZE.

OTHER OPTIONAL EXTRAS INCLUDE: HOT DIPPED GALVANIZED, STAINLESS STEEL CONSTRUCTION, AND CUSTOM COAMING HEIGHTS

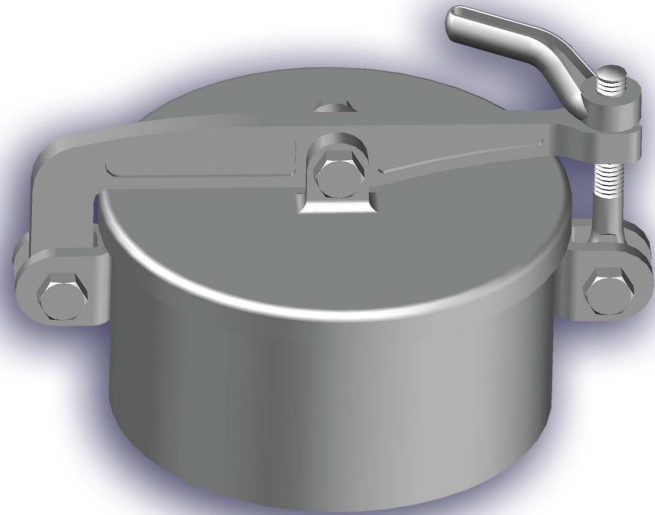
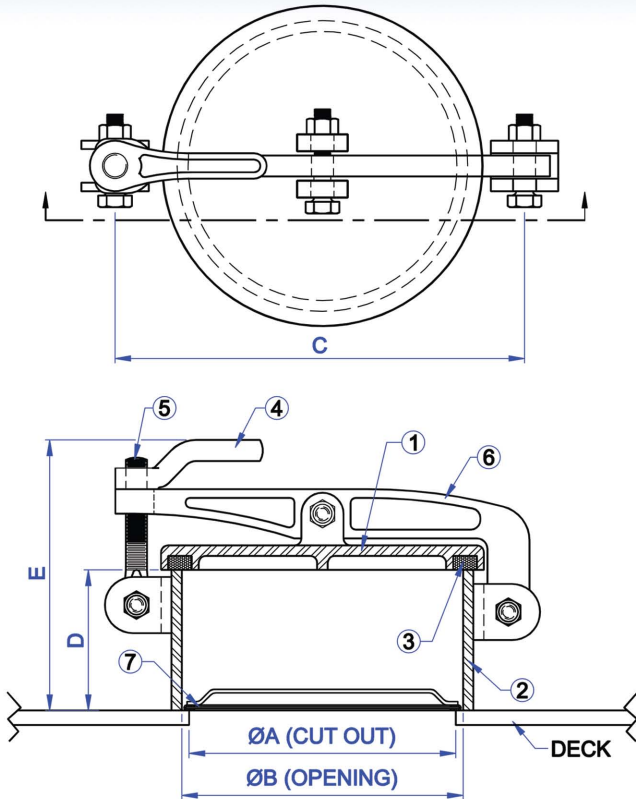
SINGLE DOG ULLAGE HATCH

Nabrico Products
www.nabrico-marine.com

1250 Gateway Drive
Gallatin, Tennessee 37066
615-442-1300



NABRICO



PIECE No.	DESCRIPTION	PART No.	MATERIAL
1	COVER ASSEMBLY	83062	CAST IRON
2	COAMING RING	19526	STEEL
3	GASKET	82449	NEOPRENE
4	DOG HANDLE	74837	IRON
5	TUMBLE BOLT	10774	BRONZE
6	ULLAGE ARM	19461	CAST IRON
7	FLAME SCREEN	19496	STAINLESS

MODEL No.	PART No.	SIZE	ØA	ØB	C	D	E	WT. (lbs.)
DF-569-5	83097	10"	9 1/2"	10 1/32"	13 1/4"	5"	9 5/8"	42

1- GASKET INCLUDED WITH COVER ASSEMBLY.

2- OTHER GASKET MATERIALS AVAILABLE.

3- TUMBLE BOLT ALSO AVAILABLE AS STAINLESS.

4- DOG HANDLE ALSO AVAILABLE AS SS, GALV'D OR BRONZE.

OTHER OPTIONAL EXTRAS INCLUDE: HOT DIPPED GALVANIZED, STAINLESS STEEL CONSTRUCTION, AND CUSTOM COAMING HEIGHTS

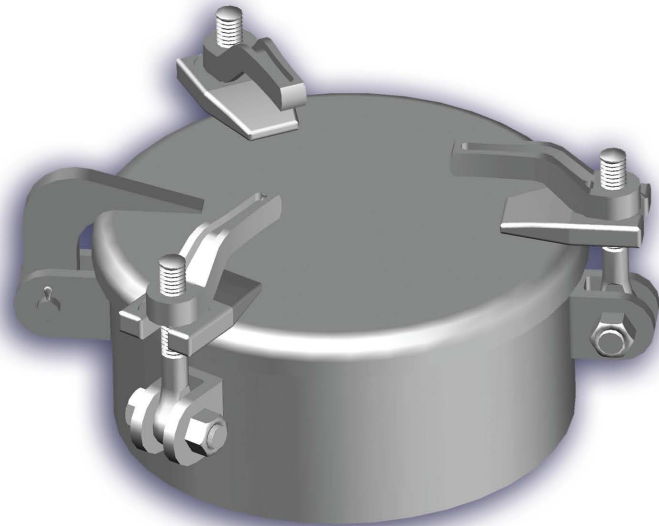
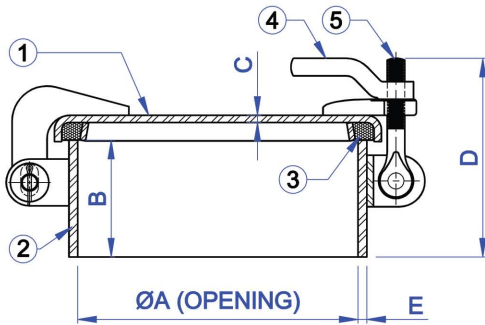
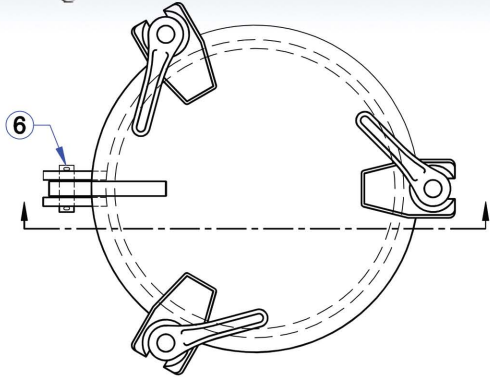
SINGLE DOG ULLAGE HATCH

Nabrico Products
www.nabrico-marine.com

1250 Gateway Drive
 Gallatin, Tennessee 37066
 615-442-1300



NABRICO



PIECE No.	DESCRIPTION	PART No.	MATERIAL
1	COVER ASSEMBLY	77909	STEEL
2	COAMING ASSEMBLY	76156	STEEL
3	GASKET	75981	NEOPRENE
4	DOG HANDLE	74837	IRON
5	TUMBLE BOLT	10774	BRONZE
6	HINGE PIN ASSEMBLY	76067	STAINLESS

MODEL No.	PART No.	SIZE	ØA	ØB	C	D	E	WT. (lbs.)
DF-456-5	75965	12"	12"	5"	5/16"	8 5/8"	3/8"	55

1- GASKET INCLUDED WITH COVER ASSEMBLY.
2- OTHER GASKET MATERIALS AVAILABLE.

3- TUMBLE BOLTS ALSO AVAILABLE IN STAINLESS.
4- DOG HANDLES ALSO AVAILABLE IN SS, GALV'D OR BRONZE.

OTHER OPTIONAL EXTRAS INCLUDE: HOT DIPPED GALVANIZED, STAINLESS STEEL CONSTRUCTION, FLAME SCREENS, AND CUSTOM COAMING HEIGHTS

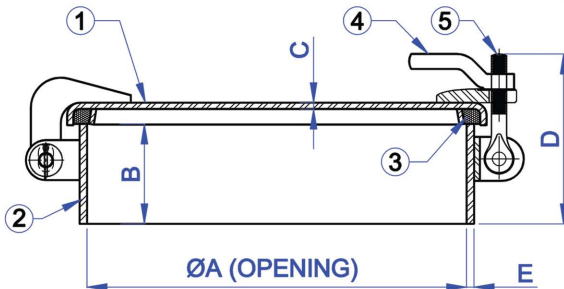
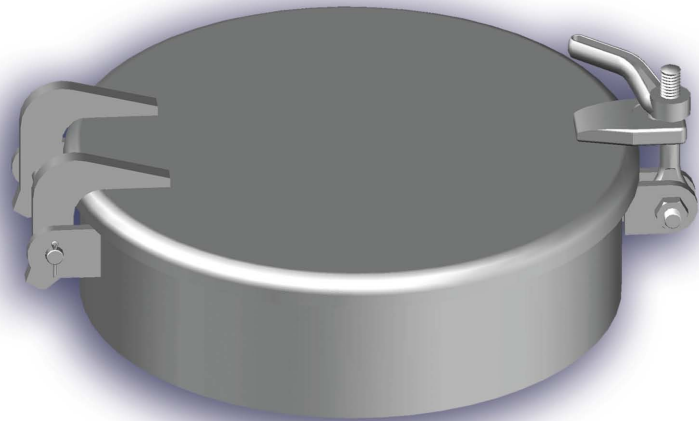
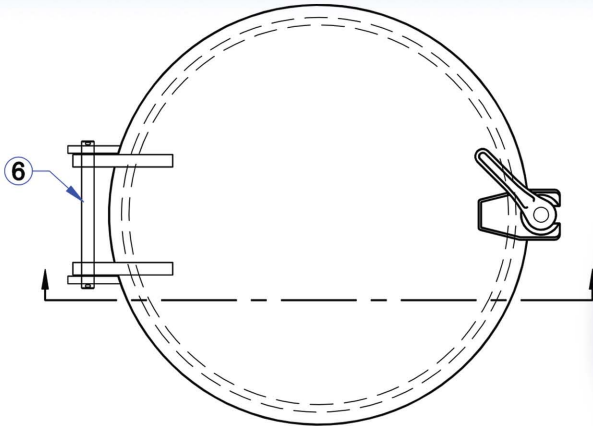
3 DOG RAISED WATERTIGHT HATCH

Nabrico Products
www.nabrico-marine.com

1250 Gateway Drive
Gallatin, Tennessee 37066
615-442-1300



NABRICO



PIECE No.	DESCRIPTION	PART No.	MATERIAL
1	COVER ASSEMBLY	75019	STEEL
2	COAMING ASSEMBLY	75027	STEEL
3	GASKET	74497	NEOPRENE
4	DOG HANDLE	74837	IRON
5	TUMBLE BOLT	10774	BRONZE
6	HINGE PIN ASSEMBLY	75077	STAINLESS

MODEL No.	PART No.	SIZE	ØA	B	C	D	E	WT. (lbs.)
DF-543-5	21598	19"	19"	5"	5/16"	8 5/8"	3/8"	80

1- GASKET INCLUDED WITH COVER ASSEMBLY.

2- OTHER GASKET MATERIALS AVAILABLE.

3- TUMBLE BOLT ALSO AVAILABLE AS STAINLESS.

4- DOG HANDLE ALSO AVAILABLE AS SS, GALV'D OR BRONZE.

OTHER OPTIONAL EXTRAS INCLUDE: HOT DIPPED GALVANIZED, STAINLESS STEEL CONSTRUCTION, AND CUSTOM COAMING HEIGHTS.

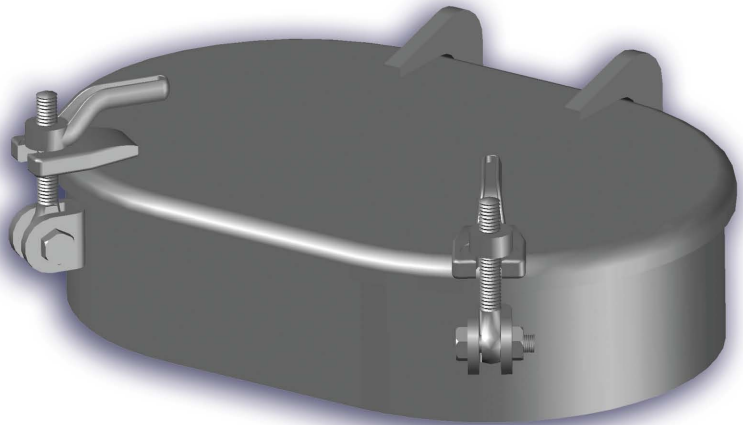
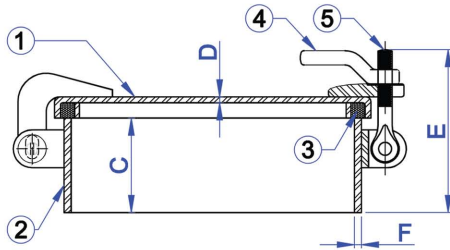
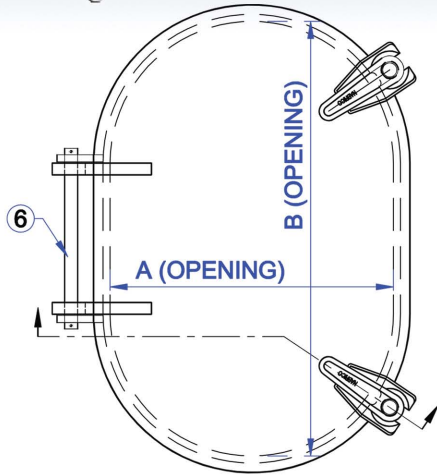
SINGLE DOG RAISED WATERTIGHT HATCH

Nabrico Products
www.nabrico-marine.com

1250 Gateway Drive
 Gallatin, Tennessee 37066
 615-442-1300



NABRICO



PIECE No.	DESCRIPTION	PART No.	MATERIAL
1	COVER ASSEMBLY	89550	STEEL
2	COAMING ASSEMBLY	74099	STEEL
3	GASKET	74497	NEOPRENE
4	DOG HANDLE	74837	IRON
5	TUMBLE BOLT	10774	BRONZE
6	HINGE PIN ASSEMBLY	73998	STAINLESS

MODEL No.	PART No.	SIZE	A	B	C	D	E	F	WT. (lbs.)
DF-274-5	89559	15x23	15"	23"	5"	5/16"	8 5/8"	3/8"	90

1- GASKET INCLUDED WITH COVER ASSEMBLY.
2- OTHER GASKET MATERIALS AVAILABLE.

3- TUMBLE BOLTS ALSO AVAILABLE IN STAINLESS.
4- DOG HANDLES ALSO AVAILABLE IN SS, GALV'D OR BRONZE.

OTHER OPTIONAL EXTRAS INCLUDE: HOT DIPPED GALVANIZED, STAINLESS STEEL CONSTRUCTION, FLAME SCREENS, AND CUSTOM COAMING HEIGHTS.

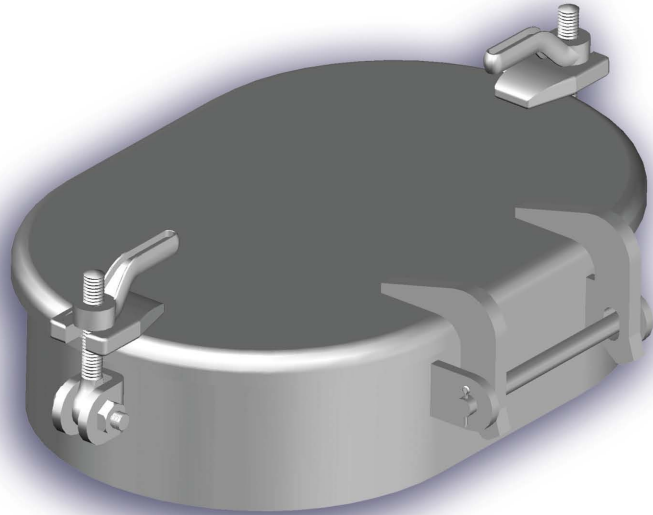
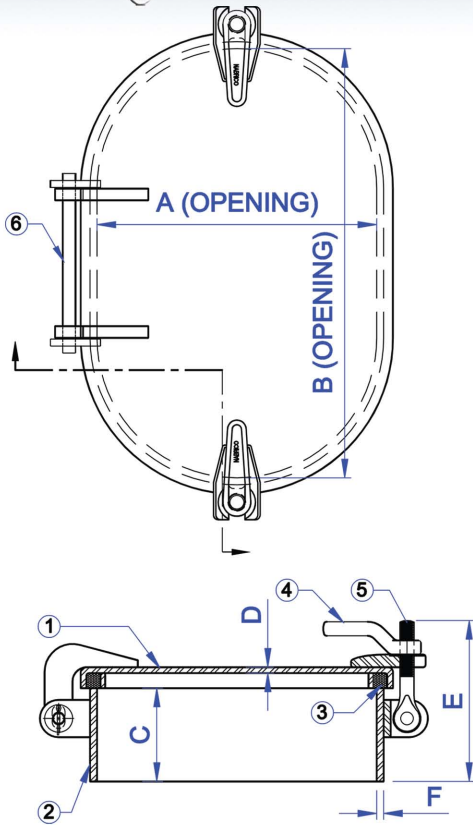
2 DOG RAISED WATERTIGHT HATCH

Nabrico Products
www.nabrico-marine.com

1250 Gateway Drive
Gallatin, Tennessee 37066
615-442-1300



NABRICO



PIECE No.	DESCRIPTION	PART No.	MATERIAL
1	COVER ASSEMBLY	73148	STEEL
2	COAMING ASSEMBLY	74100	STEEL
3	GASKET	74497	NEOPRENE
4	DOG HANDLE	74837	IRON
5	TUMBLE BOLT	10774	BRONZE
6	HINGE PIN ASSEMBLY	73998	STAINLESS

MODEL No.	PART No.	SIZE	A	B	C	D	E	F	WT. (lbs.)
DF-774-5	72481	15x23	15"	23"	5"	5/16"	8 5/8"	3/8"	90

1- GASKET INCLUDED WITH COVER ASSEMBLY.

2- OTHER GASKET MATERIALS AVAILABLE.

3- TUMBLE BOLT ALSO AVAILABLE IN STAINLESS.

4- DOG HANDLE ALSO AVAILABLE IN SS, GALV'D OR BRONZE.

OTHER OPTIONAL EXTRAS INCLUDE: HOT DIPPED GALVANIZED, STAINLESS STEEL CONSTRUCTION, FLAME SCREENS, AND CUSTOM COAMING HEIGHTS.

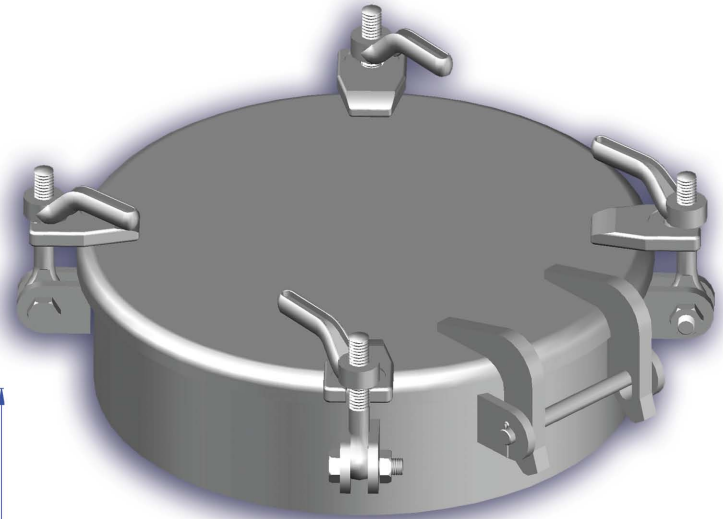
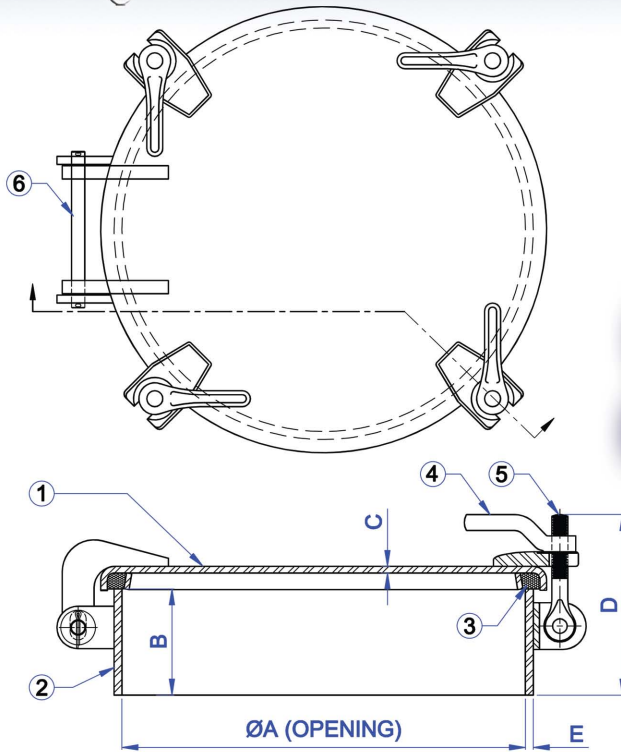
2 DOG RAISED WATERTIGHT HATCH

Nabrico Products
www.nabrico-marine.com

1250 Gateway Drive
 Gallatin, Tennessee 37066
 615-442-1300



NABRICO



PIECE No.	DESCRIPTION	PART No.	MATERIAL
1	COVER ASSEMBLY	77895	STEEL
2	COAMING ASSEMBLY	75026	STEEL
3	GASKET	74497	NEOPRENE
4	DOG HANDLE	74837	IRON
5	TUMBLE BOLT	10774	BRONZE
6	HINGE PIN ASSEMBLY	75077	STAINLESS

MODEL No.	PART No.	SIZE	ØA	B	C	D	E	WT. (lbs.)
DF-343-5	74950	19"	19"	5"	5/16"	8 5/8"	3/8"	90

1- GASKET INCLUDED WITH COVER ASSEMBLY.
2- OTHER GASKET MATERIALS AVAILABLE.

3- TUMBLE BOLTS ALSO AVAILABLE IN STAINLESS.
4- DOG HANDLES ALSO AVAILABLE IN SS, GALV'D OR BRONZE.

OTHER OPTIONAL EXTRAS INCLUDE: HOT DIPPED GALVANIZED, STAINLESS STEEL CONSTRUCTION, FLAME SCREENS, AND CUSTOM COAMING HEIGHTS.

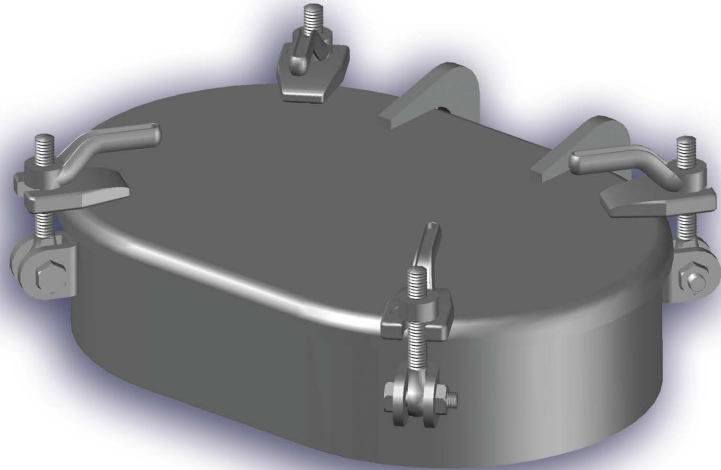
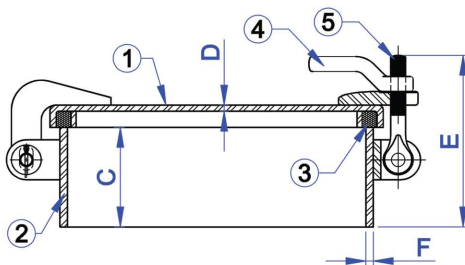
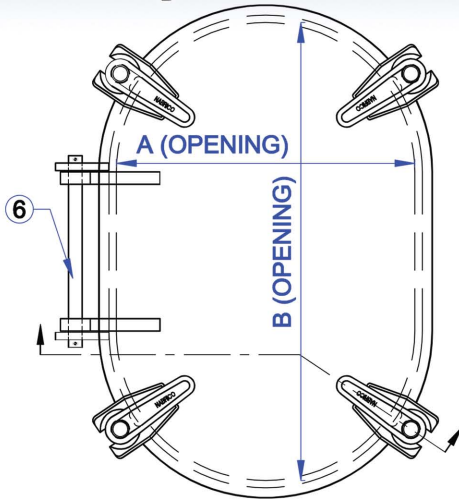
4 DOG RAISED WATERTIGHT HATCH

Nabrico Products
www.nabrico-marine.com

1250 Gateway Drive
Gallatin, Tennessee 37066
615-442-1300



NABRICO



PIECE No.	DESCRIPTION	PART No.		MATERIAL
1	COVER ASSEMBLY	77887	78484	STEEL
2	COAMING ASSEMBLY	74897	19551	STEEL
3	GASKET	74497	78530	NEOPRENE
4	DOG HANDLE	74837		IRON
5	TUMBLE BOLT	10774		BRONZE
6	HINGE PIN ASSEMBLY	73999	75077	STAINLESS

MODEL No.	PART No.	SIZE	A	B	C	D	E	F	WT. (lbs.)
DF-174-5	72451	15x23	15"	23"	5"	5/16"	8 5/8"	3/8"	95
DF-464-5	78514	18x24	18 1/4"	24 1/4"	5"	5/16"	8 5/8"	3/8"	105

1- GASKET INCLUDED WITH COVER ASSEMBLY.

2- OTHER GASKET MATERIALS AVAILABLE.

3- TUMBLE BOLTS ALSO AVAILABLE IN STAINLESS.

4- DOG HANDLE ALSO AVAILABLE IN SS, GALV'D OR BRONZE.

OTHER OPTIONAL EXTRAS INCLUDE: HOT DIPPED GALVANIZED, STAINLESS STEEL CONSTRUCTION, FLAME SCREENS, AND CUSTOM COAMING HEIGHTS.

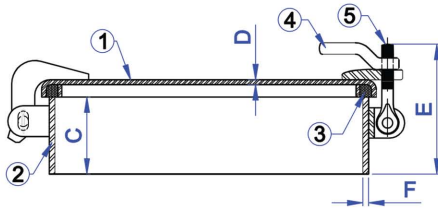
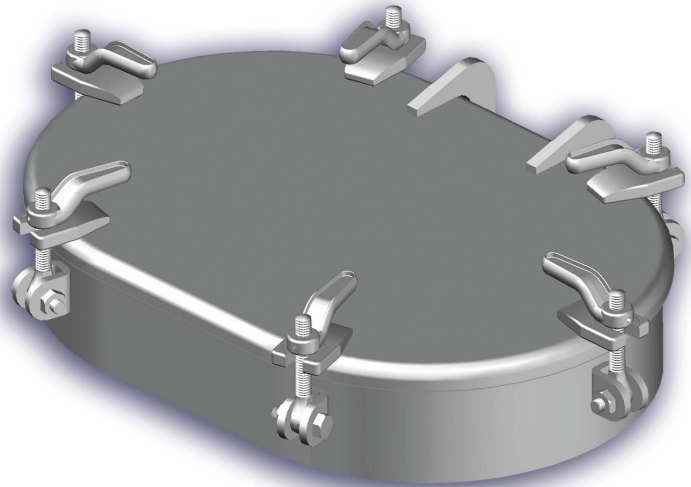
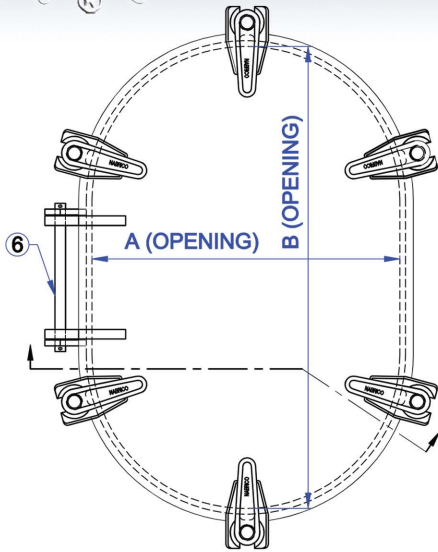
4 DOG RAISED WATERTIGHT HATCH

Nabrico Products
www.nabrico-marine.com

1250 Gateway Drive
 Gallatin, Tennessee 37066
 615-442-1300



NABRICO



PIECE No.	DESCRIPTION	PART No.	MATERIAL
1	COVER ASSEMBLY	78478	STEEL
2	COAMING ASSEMBLY	78476	STEEL
3	GASKET	78479	NEOPRENE
4	DOG HANDLE	74837	IRON
5	TUMBLE BOLT	10774	BRONZE
6	HINGE PIN ASSEMBLY	75077	STAINLESS

MODEL No.	PART No.	SIZE	A	B	C	D	E	F	WT. (lbs.)
DF-686-5	78480	20x30	20"	30"	5"	5/16"	8 5/8"	3/8"	115

1- GASKET INCLUDED WITH COVER ASSEMBLY.
2- OTHER GASKET MATERIALS AVAILABLE.

3- TUMBLE BOLTS ALSO AVAILABLE IN STAINLESS.
4- DOG HANDLES ALSO AVAILABLE IN SS, GALV'D OR BRONZE.

OTHER OPTIONAL EXTRAS INCLUDE: HOT DIPPED GALVANIZED, STAINLESS STEEL CONSTRUCTION, FLAME SCREENS, AND CUSTOM COAMING HEIGHTS.

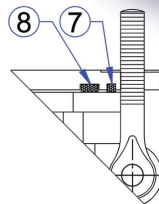
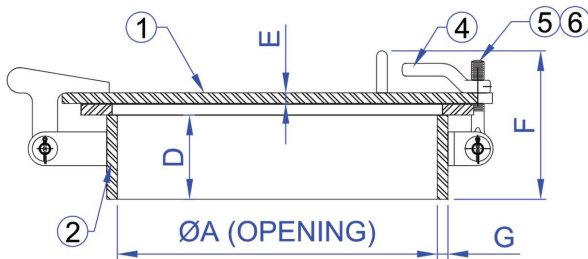
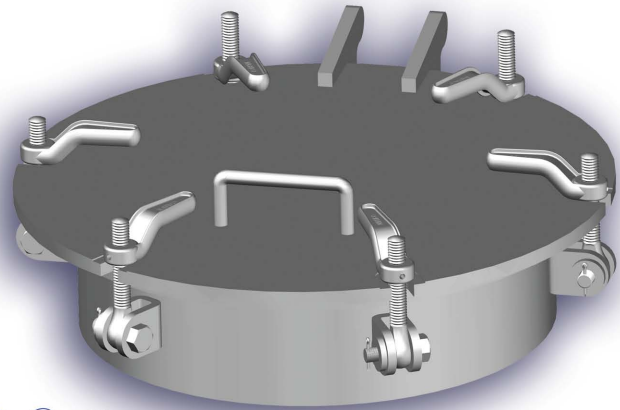
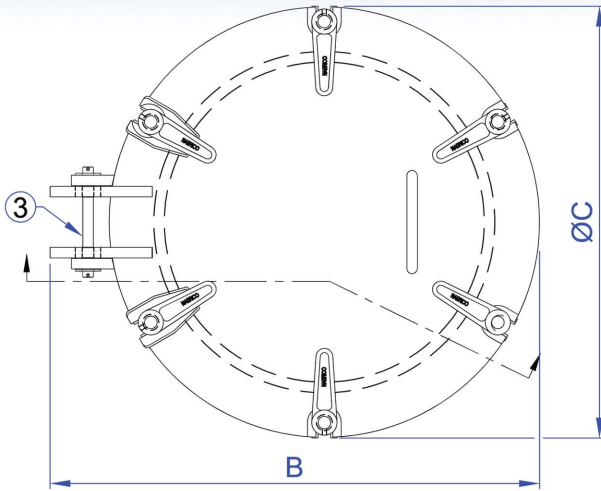
6 DOG RAISED WATERTIGHT HATCH

Nabrico Products
www.nabrico-marine.com

1250 Gateway Drive
Gallatin, Tennessee 37066
615-442-1300



NABRICO



Gasket Detail

PIECE No.	DESCRIPTION	PART No.	MATERIAL
1	COVER ASSEMBLY	21211	STAINLESS
2	COAMING ASSEMBLY	21212	STAINLESS
3	HINGE PIN ASSEMBLY	21215	STAINLESS
4	DOG HANDLE W / GREASE FITTING	74838	GALVANIZED
5	TUMBLE BOLT (QTY-4)	87939	STAINLESS
6	TUMBLE BOLT (QTY-2)	87938	STAINLESS
7	OUTER GASKET	21808	VITON
8	INNER GASKET	21809	TEFLON

MODEL No.	PART No.	SIZE	ØA	B	ØC	D	E	F	G	WT. (lbs.)
DF-346-5	21158	19"	19"	29"	25 5/8"	5"	5/8"	8 13/16"	5/8"	200

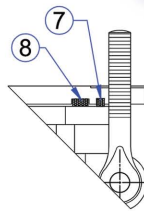
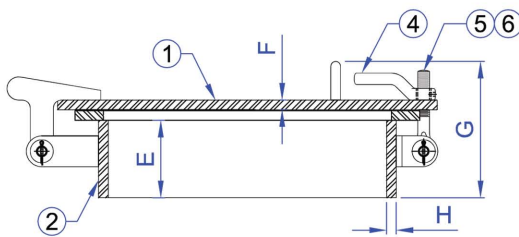
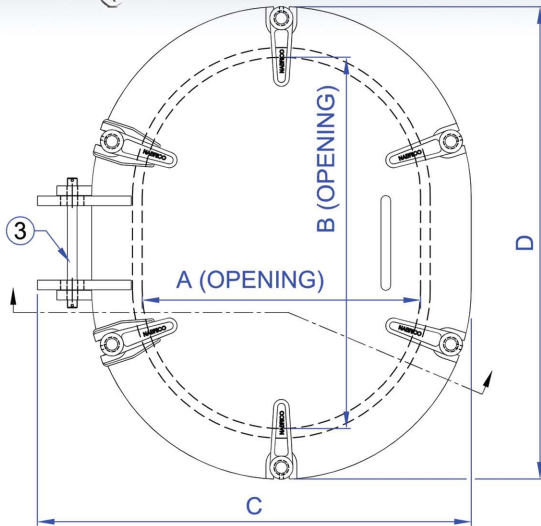
6 DOG RAISED (6 PSI) ROUND HATCH

Nabrico Products
www.nabrico-marine.com

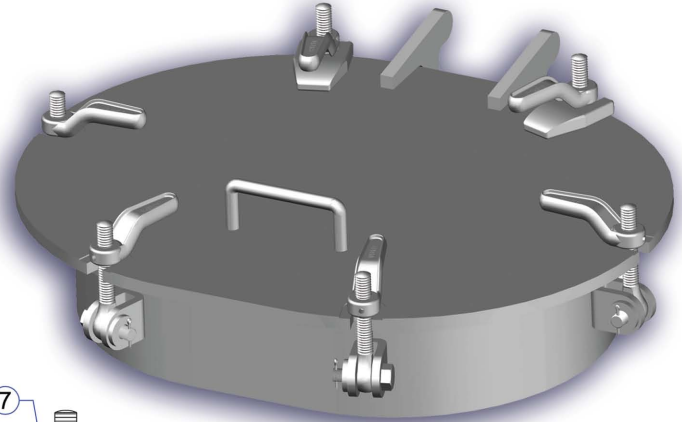
1250 Gateway Drive
 Gallatin, Tennessee 37066
 615-442-1300



NABRICO



Gasket Detail



PIECE No.	DESCRIPTION	PART No.	MATERIAL
1	COVER ASSEMBLY	21213	STAINLESS
2	COAMING ASSEMBLY	21214	STAINLESS
3	HINGE PIN ASSEMBLY	21218	STAINLESS
4	DOG HANDLE W / GREASE FITTING	74838	GALVANIZED
5	TUMBLE BOLT (QTY-4)	87939	STAINLESS
6	TUMBLE BOLT (QTY-2)	87938	STAINLESS
7	OUTER GASKET	21810	VITON
8	INNER GASKET	21811	TEFLON

MODEL No.	PART No.	SIZE	A	B	C	D	E	F	G	H	WT. (lbs.)
DF-466-5	21157	18x24	18"	24"	28"	30 1/2"	5"	5/8"	8 13/16"	5/8"	250

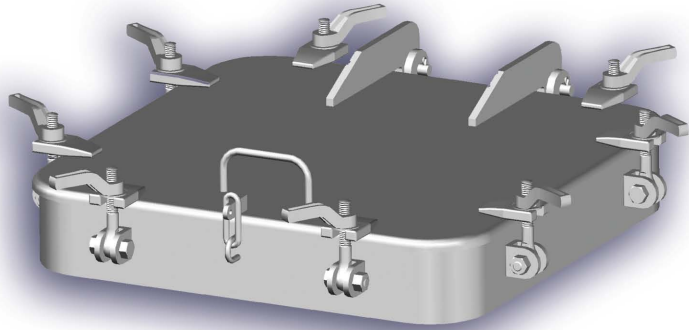
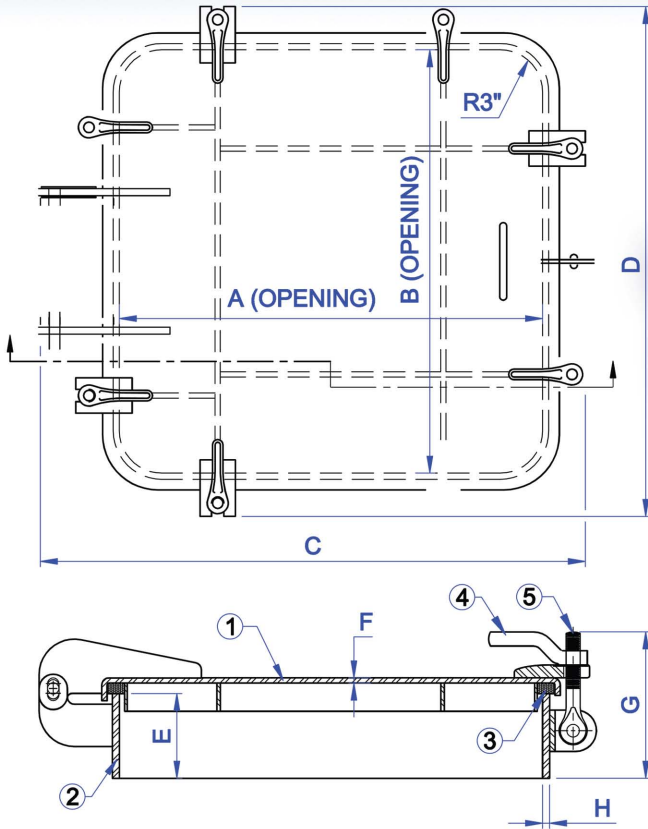
6 DOG RAISED (6 PSI) OVAL HATCH

Nabrico Products
www.nabrico-marine.com

1250 Gateway Drive
 Gallatin, Tennessee 37066
 615-442-1300



NABRICO



PIECE No.	DESCRIPTION	PART No.	MATERIAL
1	COVER ASSEMBLY	73974	STEEL
2	COAMING ASSEMBLY	73976	STEEL
3	GASKET	87760	NEOPRENE
4	DOG HANDLE	17744	BRASS
5	TUMBLE BOLT	10774	BRONZE

MODEL No.	PART No.	SIZE	A	B	C	D	E	F	G	H	WT. (lbs.)
DF-475-5	87742	30x30	30"	30"	38 3/4"	36 1/8"	5"	1/4"	8 1/4"	7/16"	220

1- GASKET INCLUDED WITH COVER ASSEMBLY.
2- OTHER GASKET MATERIALS AVAILABLE.

3- TUMBLE BOLTS ALSO AVAILABLE IN STAINLESS.
4- DOG HANDLES ALSO AVAILABLE IN SS, GALV'D OR BRONZE.

OTHER OPTIONAL EXTRAS INCLUDE: HOT DIPPED GALVANIZED, STAINLESS STEEL CONSTRUCTION, AND CUSTOM COAMING HEIGHTS.

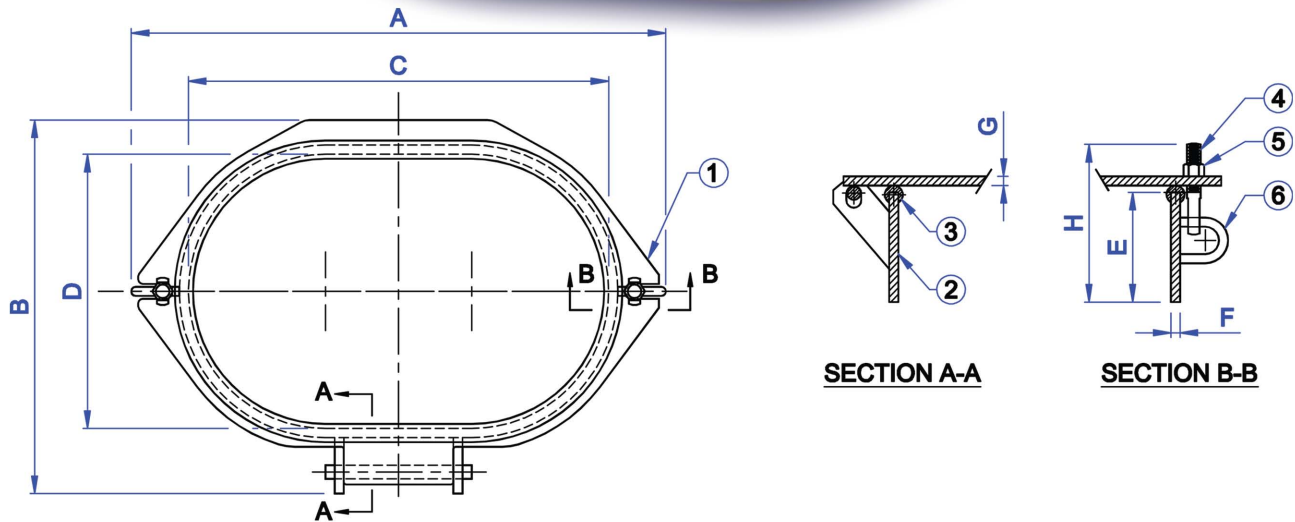
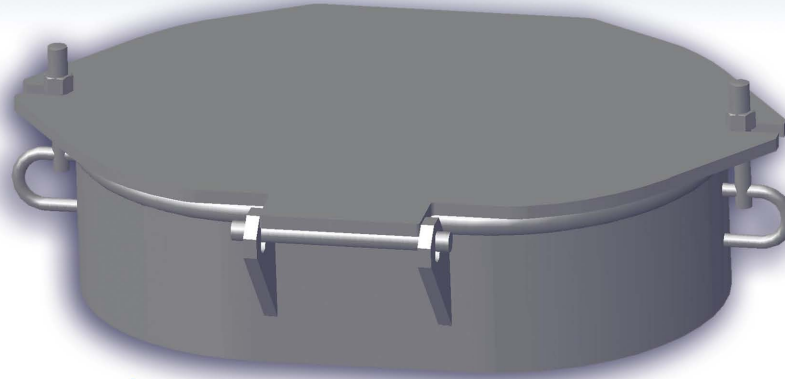
8 DOG RAISED WATERTIGHT HATCH

Nabrico Products
www.nabrico-marine.com

1250 Gateway Drive
Gallatin, Tennessee 37066
615-442-1300



NABRICO



PIECE No.	DESCRIPTION	PART No.	MATERIAL
1	COVER ASSEMBLY	93394	STEEL
2	COAMING ASSEMBLY	93432	STEEL
3	GASKET	93440	NEOPRENE
4	TUMBLE BOLT	10774	BRONZE
5	NUT	93386	STEEL
6	STAPLE	93459	STAINLESS STEEL

MODEL No.	PART No.	A	B	C	D	E	F	G	H	WT. (lbs.)
DF-547-6	93289	26 5/8"	20 7/16	23"	15"	6"	1/2"	1/2"	10 1/2"	120

1- OTHER GASKET MATERIAL AVAILABLE.

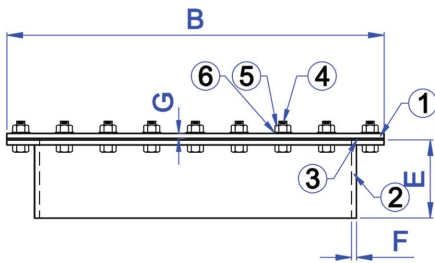
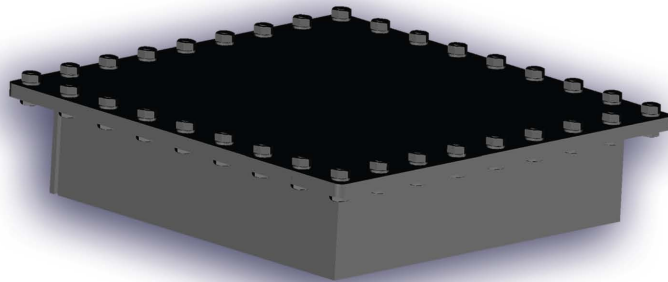
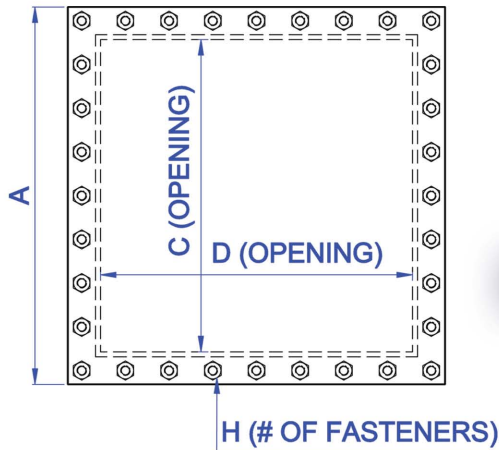
TWO BOLT MANHOLE

Nabrico Products
www.nabrico-marine.com

1250 Gateway Drive
 Gallatin, Tennessee 37066
 615-442-1300



NABRICO



PIECE No.	DESCRIPTION	MATERIAL
1	COVER ASSEMBLY	STEEL
2	COAMING ASSEMBLY	STEEL
3	GASKET	NEOPRENE
4	HEX HEAD BOLT	STEEL
5	HEX NUT	STAINLESS
6	WASHER	BRASS

MODEL No.	PART No.	SIZE	A	B	C	D	E	F	G	H	WT. (lbs.)
DF-587-6	21072	24x24	29"	29"	24"	24"	6"	3/8"	3/8"	32	375

1- ADDITIONAL COAMING HEIGHTS AVAILABLE
 2- ADDITIONAL OPENING DIMENSIONS AVAILABLE.

3- OTHER GASKET MATERIALS AVAILABLE.
 4- OTHER BOLT, NUT AND WASHER COMBINATIONS AVAILABLE.

VALVE REMOVAL HATCH

Nabrico Products
www.nabrico-marine.com

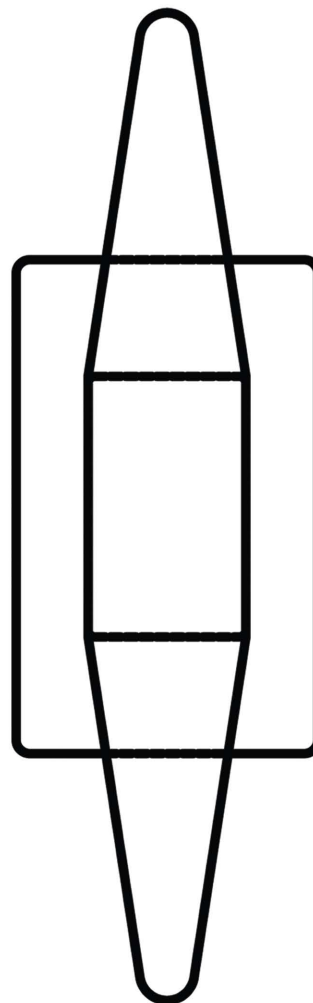
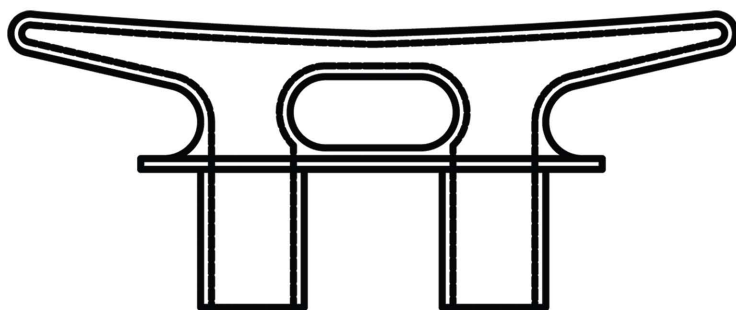
1250 Gateway Drive
 Gallatin, Tennessee 37066
 615-442-1300

KEVELS

NABRICO offers a wide range of cast steel kevel chocks needed for proper and efficient marine duties. All castings are produced using A27 cast steel and are normally supplied raw from the foundry. While castings are usually preferred in this state, NABRICO has the capability to blast and paint with a zinc primer or provide most castings in Stainless Steel. Kevels are available in a variety of styles and sizes that include: steel kevel chocks in 24", 36", 42", and 48", cast steel in 18", 36", 42" and 48", cast steel heavy in 30" and 48", cast steel raised in 48", and cast steel thru deck in 42" and 48". Whatever the job, NABRICO has a kevel that meets your needs.

KEVELS

CAST STEEL	96
CAST STEEL HEAVY	97
CAST STEEL KEVEL CHOCK	98
CAST STEEL THRU DECK	99
CAST STEEL RAISED	100
CAST STEEL RAISED THRU DECK	101



Nabrico Products
www.nabrico-marine.com

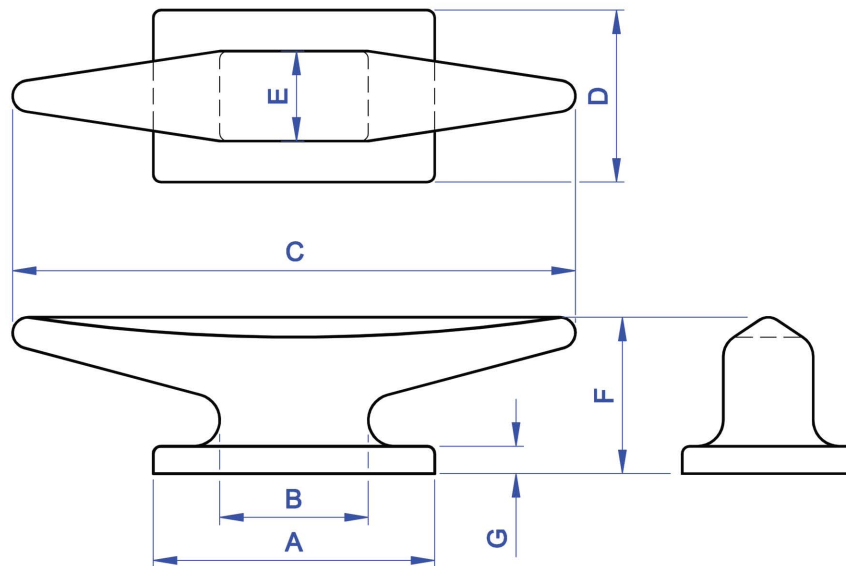
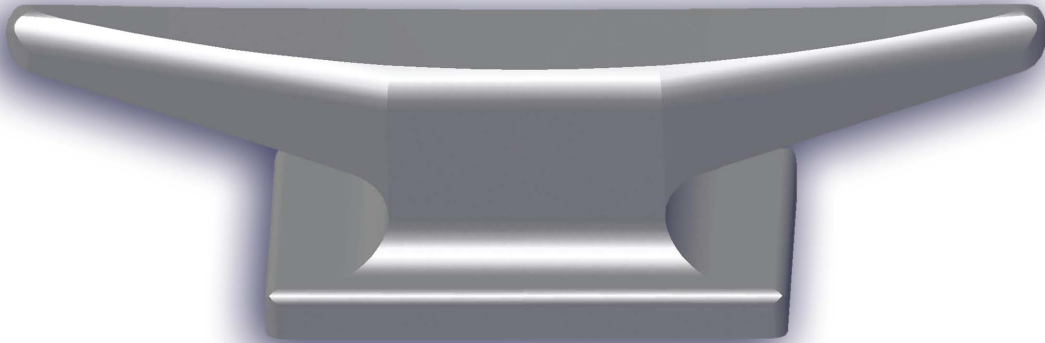
95

1250 Gateway Drive
Gallatin, Tennessee 37066
615-442-1300

The specifications and details described by drawings or text in this literature are subject to change without notice.



NABRICO



MODEL No.	PART No.	SIZE	A	B	C	D	E	F	G	WT. (lbs.)
DF-518	87920	18"	9"	4 3/4"	18"	5 1/2"	2 7/8"	5"	7/8"	34

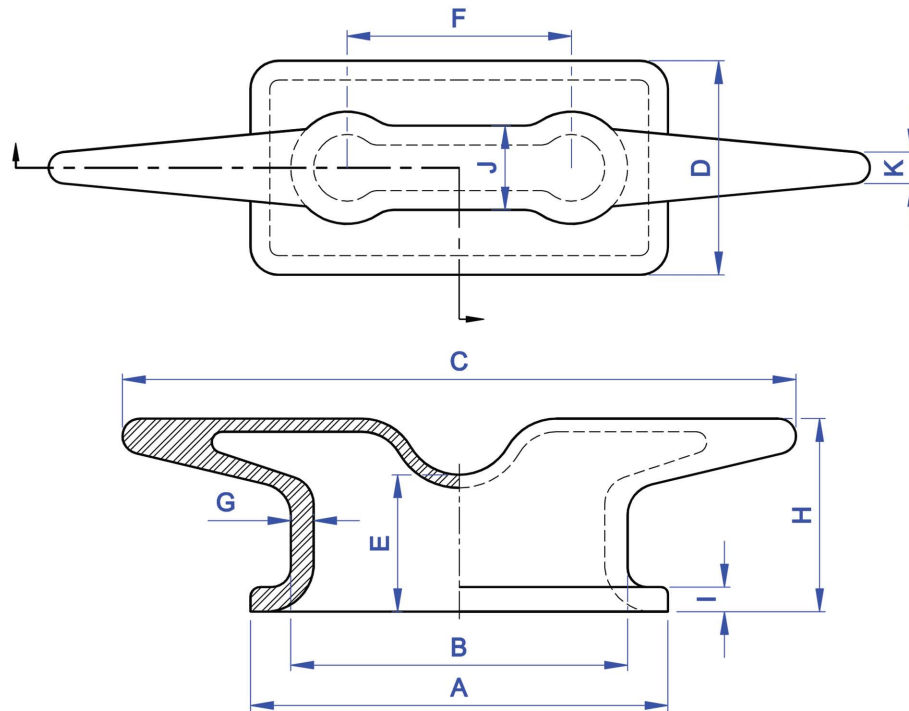
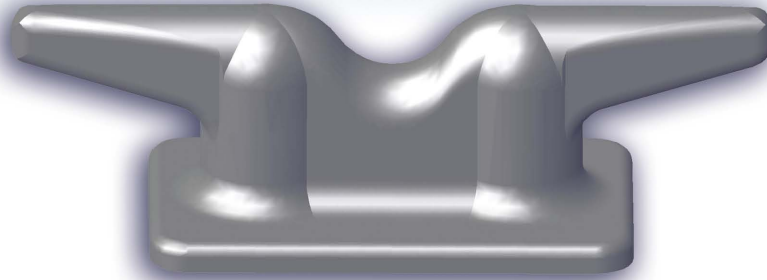
CAST STEEL KEVEL

Nabrico Products
www.nabrico-marine.com

1250 Gateway Drive
 Gallatin, Tennessee 37066
 615-442-1300



NABRICO



MODEL No.	PART No.	SIZE	A	B	C	D	E	F	G	H	I	J	K	WT. (lbs.)
DF-488	89338	30"	19"	15"	30"	11 1/4"	6 3/8"	10"	1 1/4"	8 7/8"	1 3/8"	3 3/4"	1 3/4"	180
DFSK-HC48	89340	48"	29 3/4"	24"	48"	15 1/4"	9 3/4"	16"	1 5/8"	13 3/4"	1 3/4"	6"	2 1/4"	440

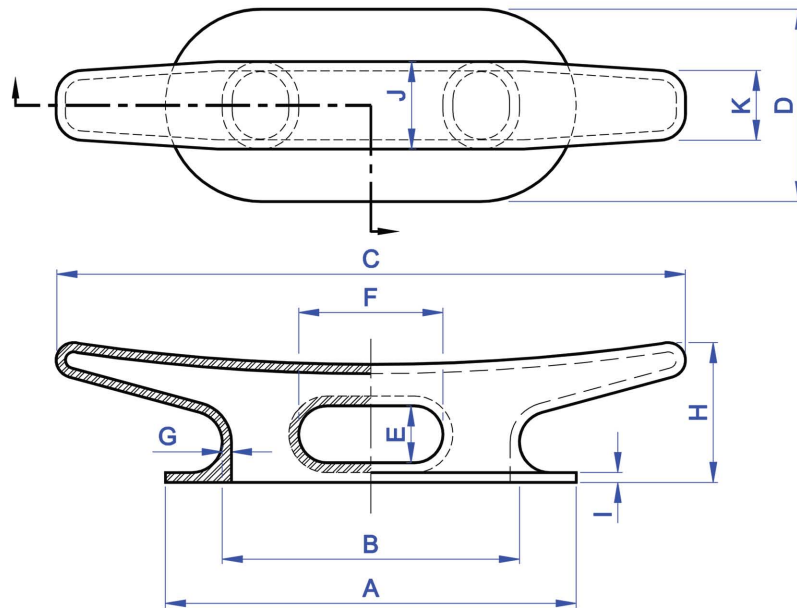
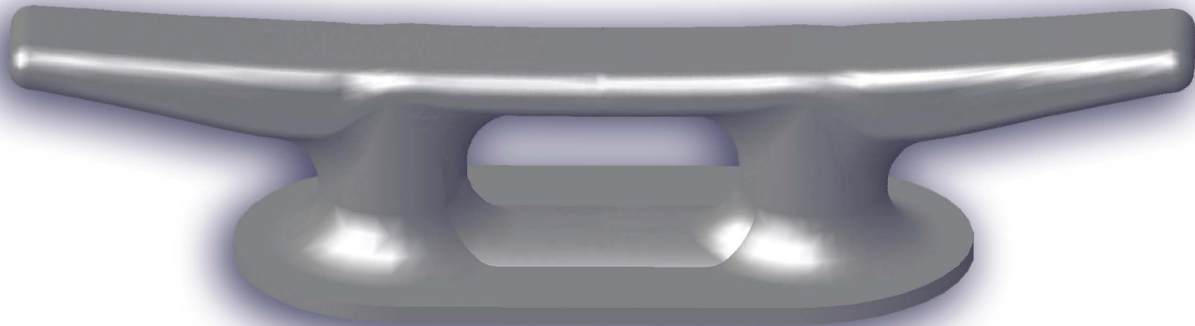
CAST STEEL HEAVY KEVEL

Nabrico Products
www.nabrico-marine.com

1250 Gateway Drive
 Gallatin, Tennessee 37066
 615-442-1300



NABRICO



MODEL No.	PART No.	SIZE	A	B	C	D	E	F	G	H	I	J	K	WT. (lbs.)
DF-30	18562	24"	10 1/2"	9"	24"	7 1/2"	2 1/4"	3 1/4"	1/2"	5 5/8"	1/2"	4"	3"	50
DF-482	20265	36"	23 1/2"	17"	36"	11"	3 1/4"	8 1/4"	9/16"	8"	9/16"	5"	4"	100
DF-483	20273	42"	26 3/4"	20"	42"	12 1/2"	4 1/8"	9 5/8"	5/8"	9"	5/8"	6"	4 3/4"	160
DF-484	20257	48"	30"	23"	48"	14"	5"	11"	3/4"	10"	3/4"	7"	5 1/2"	220

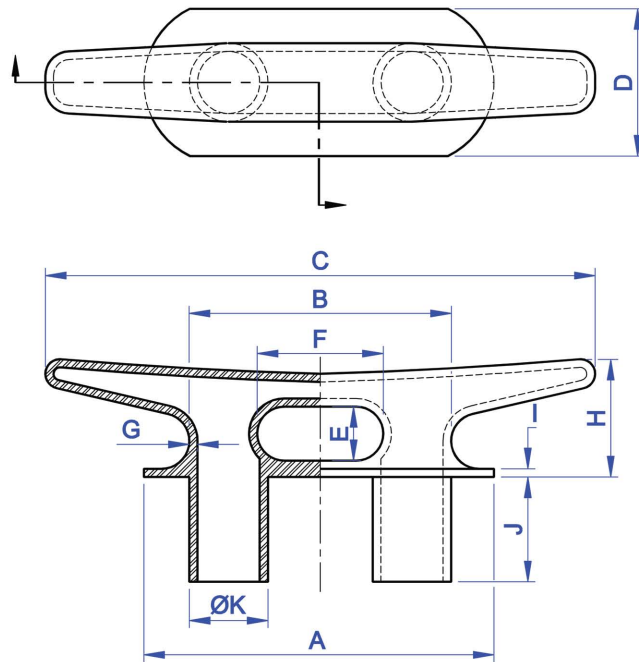
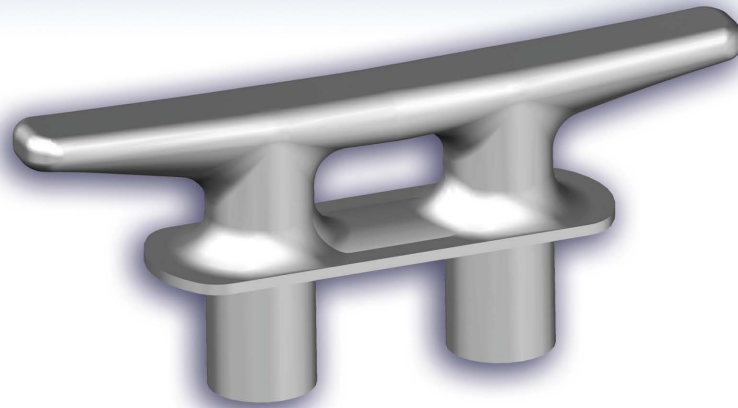
CAST STEEL KEVEL CHOCK

Nabrico Products
www.nabrico-marine.com

1250 Gateway Drive
 Gallatin, Tennessee 37066
 615-442-1300



NABRICO



MODEL No.	PART No.	SIZE	A	B	C	D	E	F	G	H	I	J	ØK	WT. (lbs.)
DF-535	21849	42"	26 3/4"	20"	42"	12 1/2"	4 1/8"	9 5/8"	5/8"	9"	5/8"	8"	6"	200

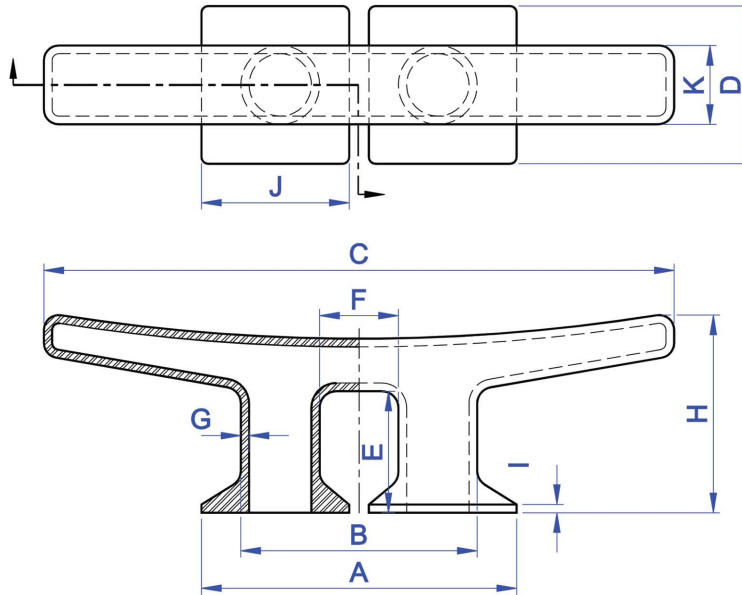
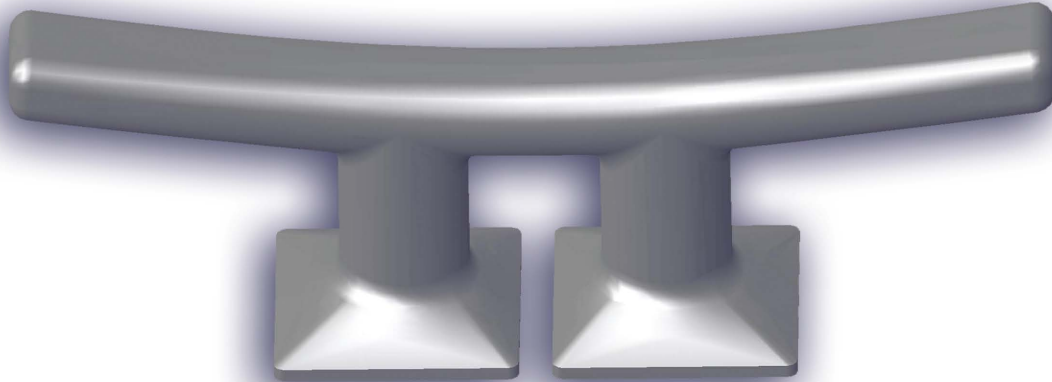
CAST STEEL THRU DECK KEVEL CHOCK

Nabrico Products
www.nabrico-marine.com

1250 Gateway Drive
 Gallatin, Tennessee 37066
 615-442-1300



NABRICO



MODEL No.	PART No.	SIZE	A	B	C	D	E	F	G	H	I	J	K	WT. (lbs.)
DF-544	90026	48"	24"	18"	48"	12"	9 1/4"	6"	5/8"	15 1/4"	5/8"	11 1/4"	6"	200

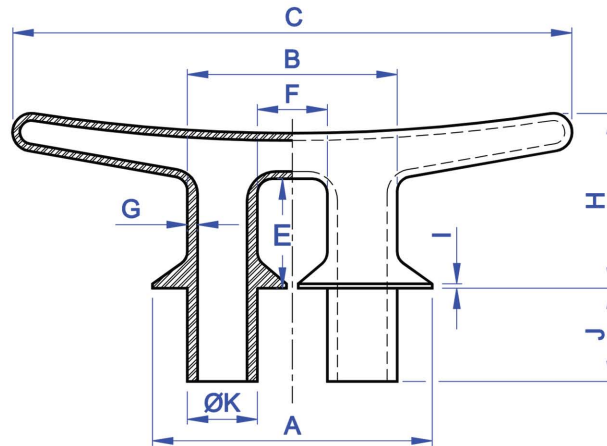
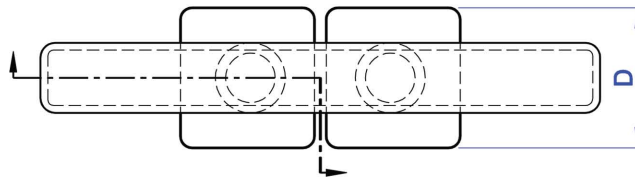
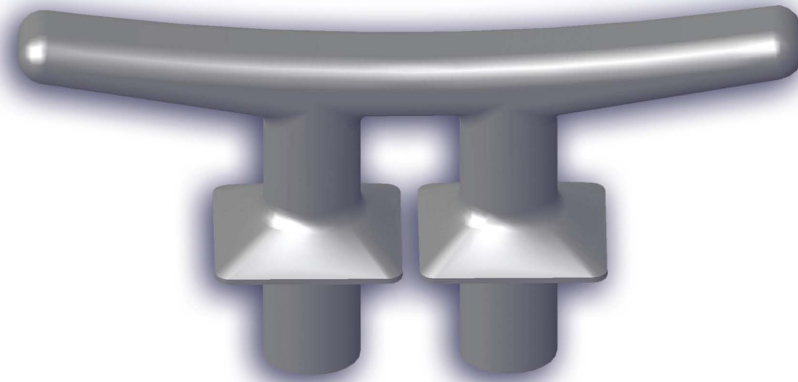
CAST STEEL RAISED KEEL

Nabrico Products
www.nabrico-marine.com

1250 Gateway Drive
 Gallatin, Tennessee 37066
 615-442-1300



NABRICO



MODEL No.	PART No.	SIZE	A	B	C	D	E	F	G	H	I	J	ØK	WT. (lbs.)
DFSK- 48TDKC	90027	48"	24"	18"	48"	12"	9"	6"	7/8"	15"	3/8"	8"	6"	300

CAST STEEL THRU DECK RAISED KEVEL

Nabrico Products
www.nabrico-marine.com

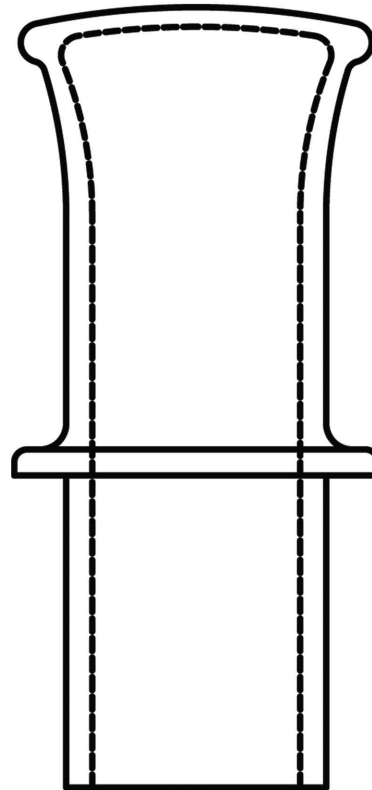
1250 Gateway Drive
 Gallatin, Tennessee 37066
 615-442-1300

BITTS

Nabrico offers a wide range of cast steel bitts needed for proper and efficient marine duties. All castings are produced using A27 cast steel and are normally supplied raw from the foundry. While castings are usually preferred in this state, Nabrico has the capability to blast and paint with a zinc primer or provide most castings in Stainless Steel. Bitts are available in a variety of styles and sizes that include: single bitt, single thru deck, single thru deck with horn, fabricated single, fabricated cruciform, double bitts with or without horns. Whatever the job, Nabrico has a bitt that meets your needs.

BITTS

SINGLE	104-105
SINGLE THRU DECK	106
SINGLE THRU DECK W/ HORN	107
FABRICATED SINGLE	108
FABRICATED CRUCIFORM	109
DOUBLE	110-112



Nabrico Products
www.nabrico-marine.com

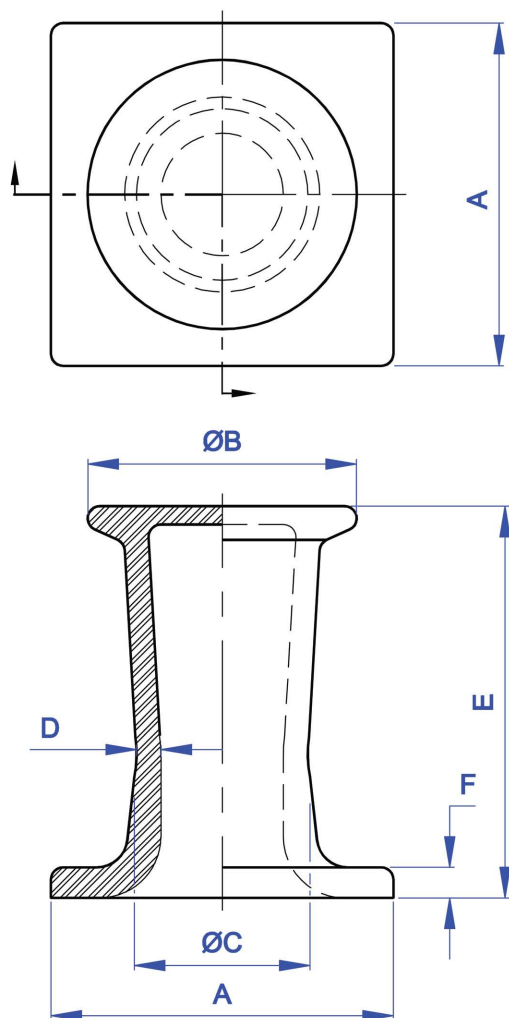
103

1250 Gateway Drive
Gallatin, Tennessee 37066
615-442-1300

The specifications and details described by drawings or text in this literature are subject to change without notice.



NABRICO



MODEL No.	PART No.	SIZE	A	ØB	ØC	D	E	F	WT. (lbs.)
DF-SB8	87971	8"	14"	11"	7"	1"	16"	1 1/4"	160

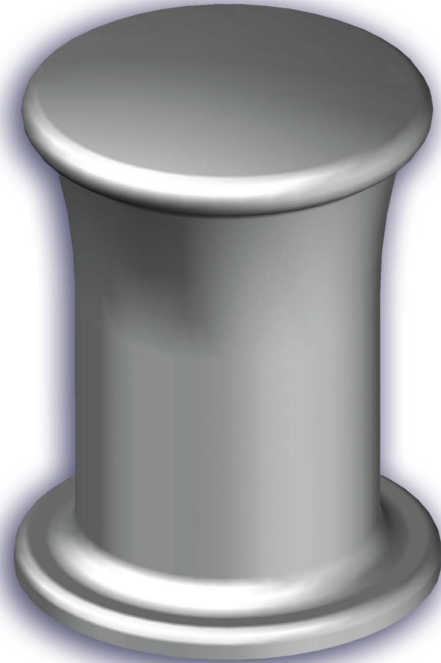
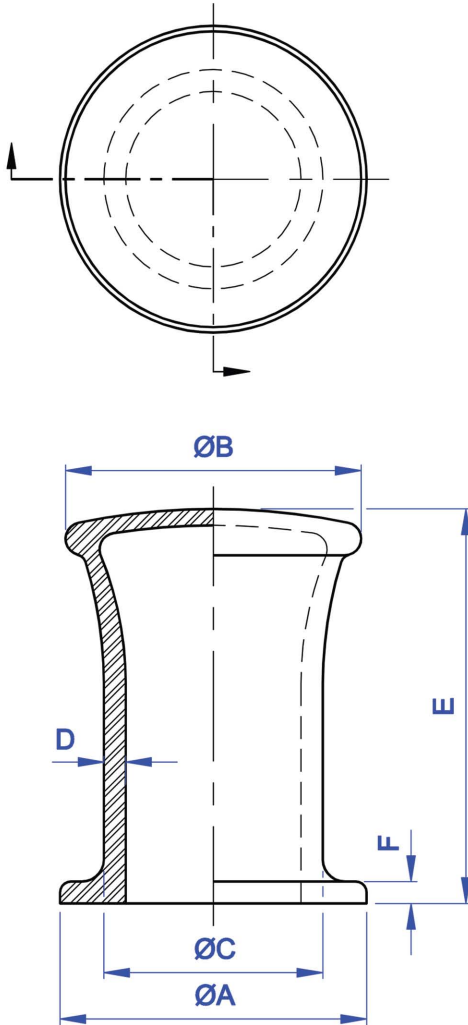
CAST STEEL SINGLE BITT

Nabrico Products
www.nabrico-marine.com

1250 Gateway Drive
 Gallatin, Tennessee 37066
 615-442-1300



NABRICO



MODEL No.	PART No.	SIZE	ØA	ØB	ØC	D	E	F	WT. (lbs.)
DF-SB10	20230	10"	14"	13 1/2"	10"	1"	18"	1"	190

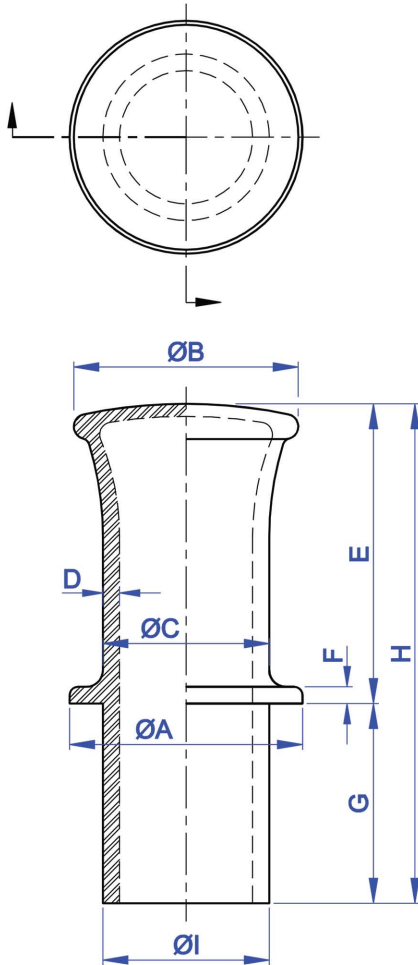
CAST STEEL SINGLE BITT

Nabrico Products
www.nabrico-marine.com

1250 Gateway Drive
 Gallatin, Tennessee 37066
 615-442-1300



NABRICO



MODEL No.	PART No.	SIZE	ØA	ØB	ØC	D	E	F	G	H	ØI	WT. (lbs.)
DF-530	21555	8"	14"	12"	8"	1"	16"	1"	11"	27"	10 1/4"	260
DF-530	20231	10"	14"	13 1/2"	10"	1"	18"	1"	12"	30"	10"	300

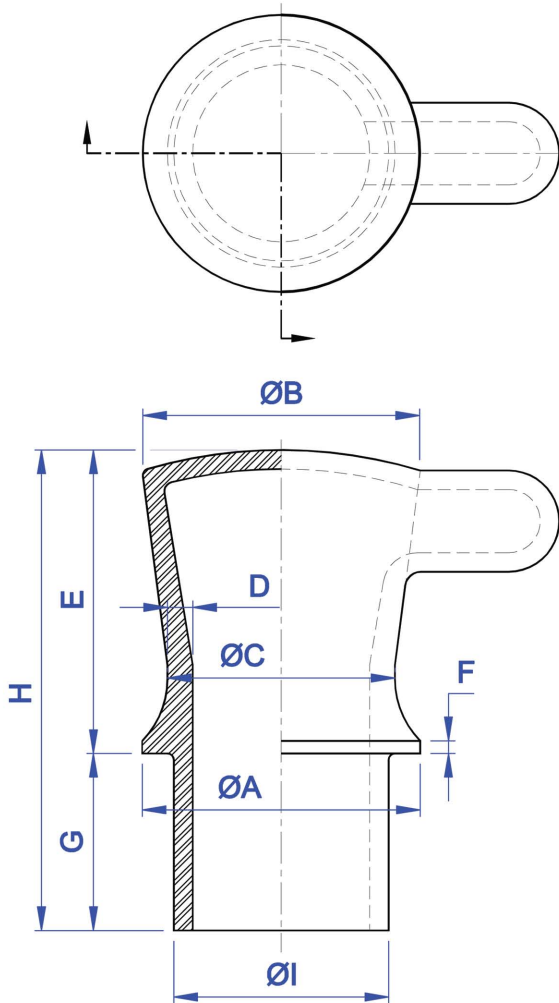
CAST STEEL THRU DECK SINGLE BITT

Nabrico Products
www.nabrico-marine.com

1250 Gateway Drive
 Gallatin, Tennessee 37066
 615-442-1300



NABRICO



MODEL No.	PART No.	SIZE	ØA	ØB	ØC	D	E	F	G	H	ØI	WT. (lbs.)
DF-532	21660	9"	11"	11"	9"	3/4"	12"	1/2"	7"	19"	8 1/2"	155

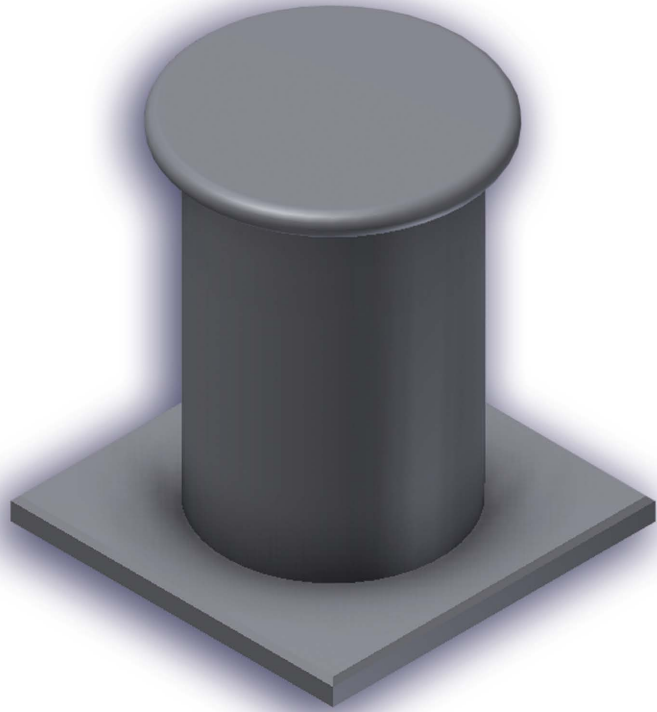
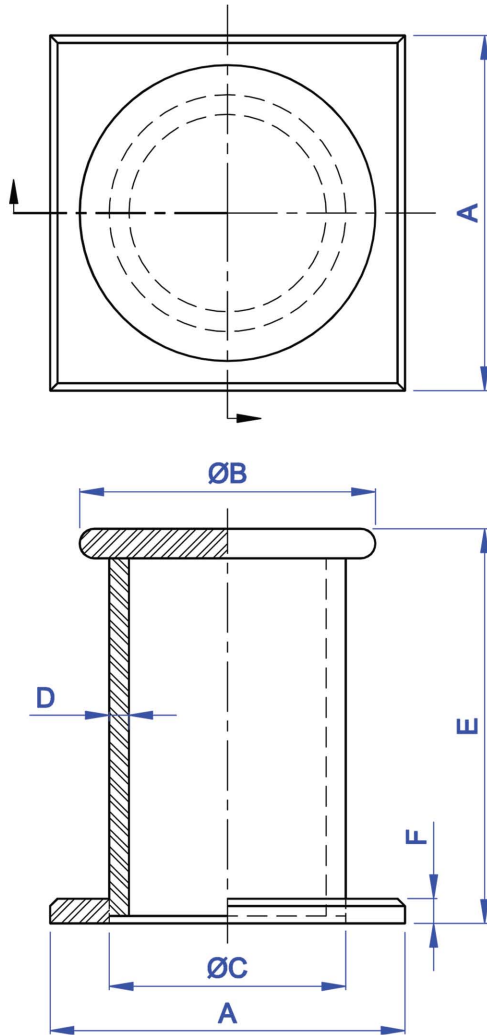
CAST STEEL THRU DECK SINGLE BITT

Nabrico Products
www.nabrico-marine.com

1250 Gateway Drive
 Gallatin, Tennessee 37066
 615-442-1300



NABRICO



MODEL No.	PART No.	SIZE	A	ØB	ØC	D	E	F	WT. (lbs.)
DF-55	13820	12"	18"	15"	12"	1"	20"	1 1/4"	330

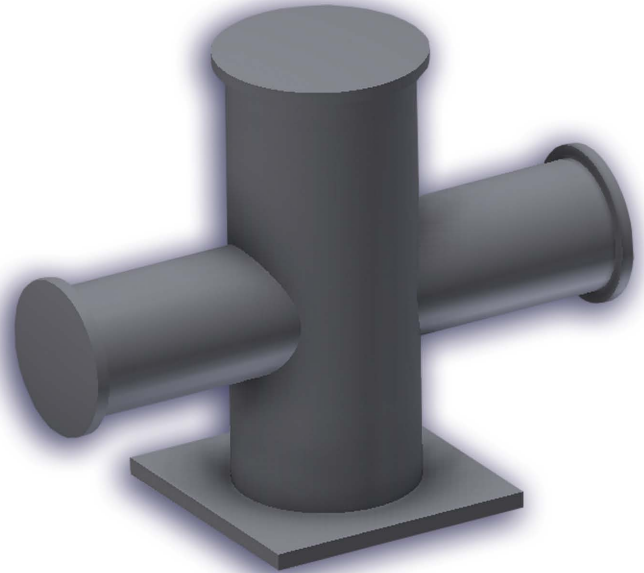
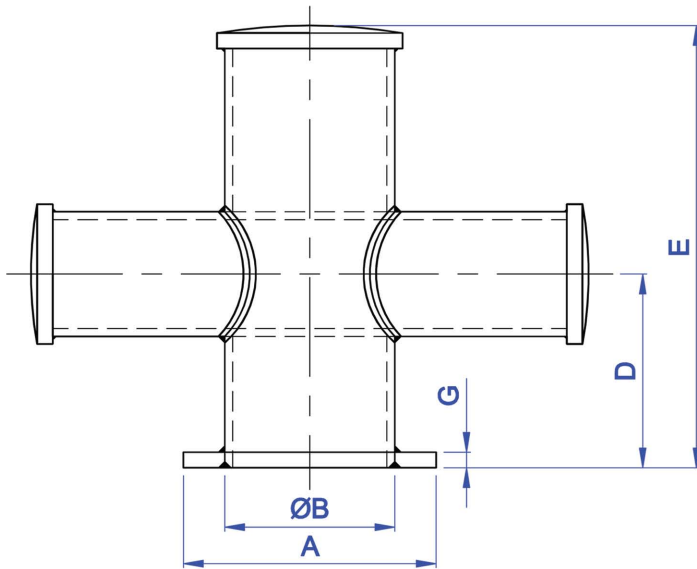
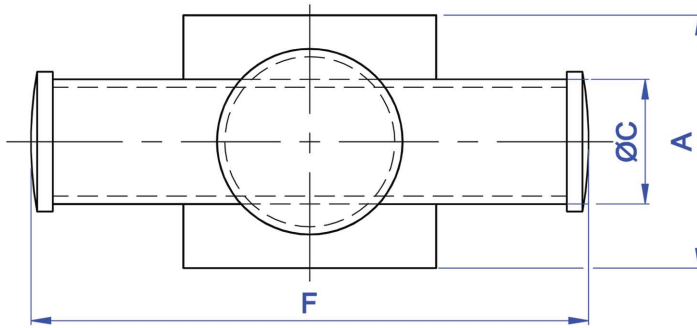
FABRICATED STEEL SINGLE BITT

Nabrico Products
www.nabrico-marine.com

1250 Gateway Drive
 Gallatin, Tennessee 37066
 615-442-1300



NABRICO



MODEL No.	PART No.	SIZE	A	ØB	ØC	D	E	F	G	WT. (lbs.)
DF-65	21552	10	16"	10 3/4"	7 7/8"	12 1/4"	28"	35 1/4"	1"	465

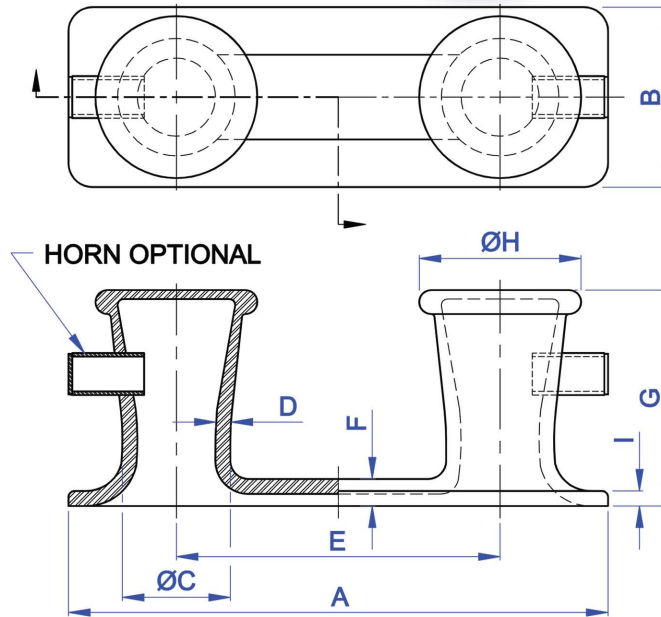
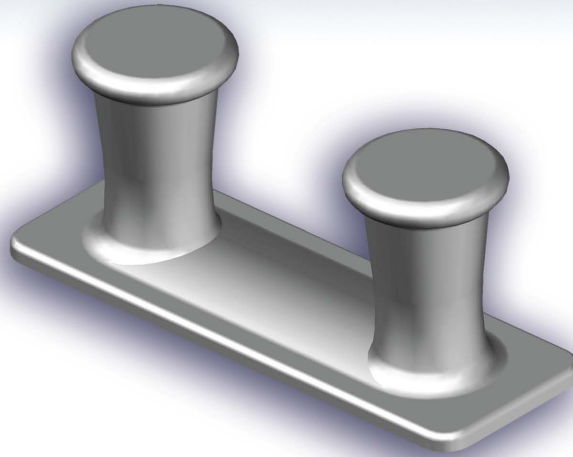
FABRICATED STEEL CRUCIFORM BITT

Nabrico Products
www.nabrico-marine.com

1250 Gateway Drive
 Gallatin, Tennessee 37066
 615-442-1300



NABRICO



MODEL No.	PART No.	SIZE	A	B	ØC	D	E	F	G	ØH	I	WT. (lbs.)
DF- 2	7005	8"	40"	14"	7"	1"	24"	2"	16"	11"	1 1/4"	375
DF- 2A	20281	8" W/Horns	40"	14"	7"	1"	24"	2"	16"	11"	1 1/4"	385
DF- 40	6858	10"	45"	15"	9"	1 1/4"	27"	2 1/4"	18"	13 1/2"	1 1/4"	545
DF- 40A	77054	10" W/Horns	45"	15"	9"	1 1/4"	27"	2 1/4"	18"	13 1/2"	1 1/4"	560

1- HORNS NOT SHOWN ON DOUBLE BITT MODEL.

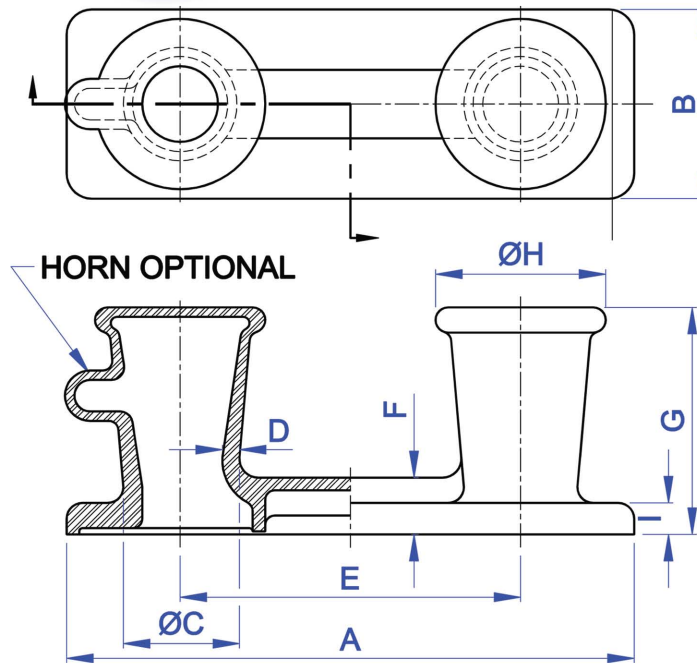
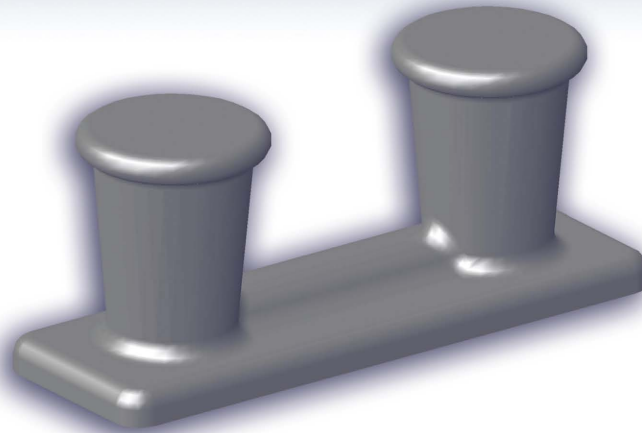
CAST STEEL DOUBLE BITT

Nabrico Products
www.nabrico-marine.com

1250 Gateway Drive
 Gallatin, Tennessee 37066
 615-442-1300



NABRICO



MODEL No.	PART No.	SIZE	A	B	ØC	D	E	F	G	ØH	I	WT. (lbs.)
DF-537	89648	10"	45"	15"	9"	1 1/2"	27"	4 1/2"	18"	13 1/2"	2 1/2"	625
DF-537A	90034	10" W/HORN	45"	15"	9"	1 1/2"	27"	4 1/2"	18"	13 1/2"	2 1/2"	635
DF-537AA	90036	10" W/HORNS	45"	15"	9"	1 1/2"	27"	4 1/2"	18"	13 1/2"	2 1/2"	645

1- HORN NOT SHOWN ON DOUBLE BITT MODEL.

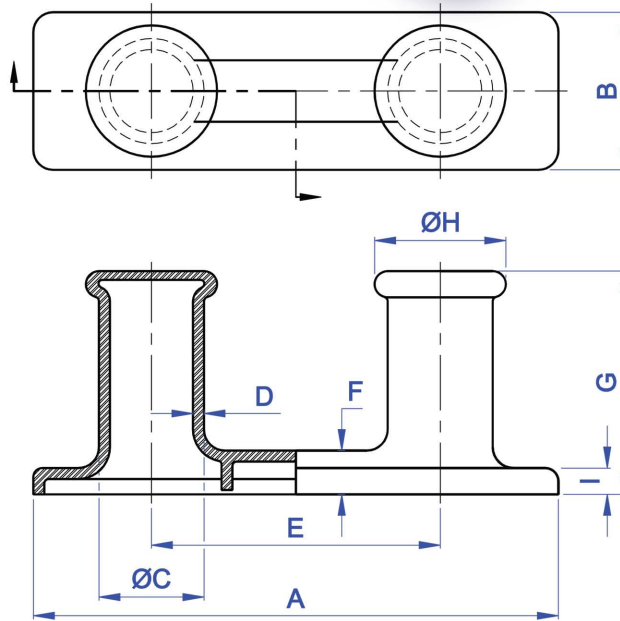
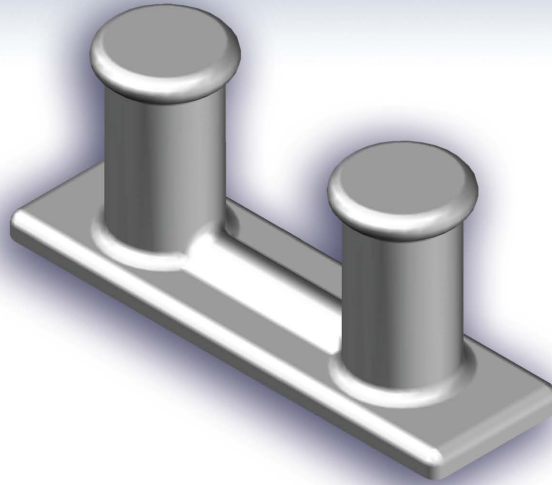
CAST STEEL HEAVY DOUBLE BITT

Nabrico Products
www.nabrico-marine.com

1250 Gateway Drive
 Gallatin, Tennessee 37066
 615-442-1300



NABRICO



MODEL No.	PART No.	SIZE	A	B	ØC	D	E	F	G	ØH	I	WT. (lbs.)
DF-491	89362	12"	60"	18"	12"	1 1/4"	33"	5"	25 1/2"	15"	3"	990
DF-498	21164	14"	66"	21"	14"	1 1/2"	40"	5 1/2"	29 3/4"	17 1/2"	3 1/2"	1780
DF-499	21168	16"	76"	24"	16"	1 3/4"	46"	7 3/16"	34"	20"	4"	2500

CAST STEEL HEAVY DOUBLE BITT

Nabrico Products
www.nabrico-marine.com

1250 Gateway Drive
 Gallatin, Tennessee 37066
 615-442-1300

CHOCKS

NABRICO offers a wide range of cast steel chocks needed for proper and efficient marine duties. All castings are produced using A27 cast steel and are normally supplied raw from the foundry. While castings are normally preferred in this state, NABRICO has the capability to blast and paint with a zinc primer or provide most castings in Stainless Steel. Chocks are available in a variety of styles and sizes that include: button, open or closed, roller and panama canal chocks. Whatever the job, NABRICO has a chock that meets your needs.

CHOCKS

CAST STEEL BUTTON	114-120
CAST STEEL OPEN	121
CAST STEEL CLOSED	122
PANAMA CANAL	123-125
MOORING RING	126
FABRICATED BUTTON	127
COMBINATION BITT	128
FABRICATED OPEN	129

ROLLER CHOCKS

SINGLE ROLLER	130-132
SINGLE ROLLER BUTTON	133-135
PIVOTING ROLLER	136



Nabrico Products
www.nabrico-marine.com

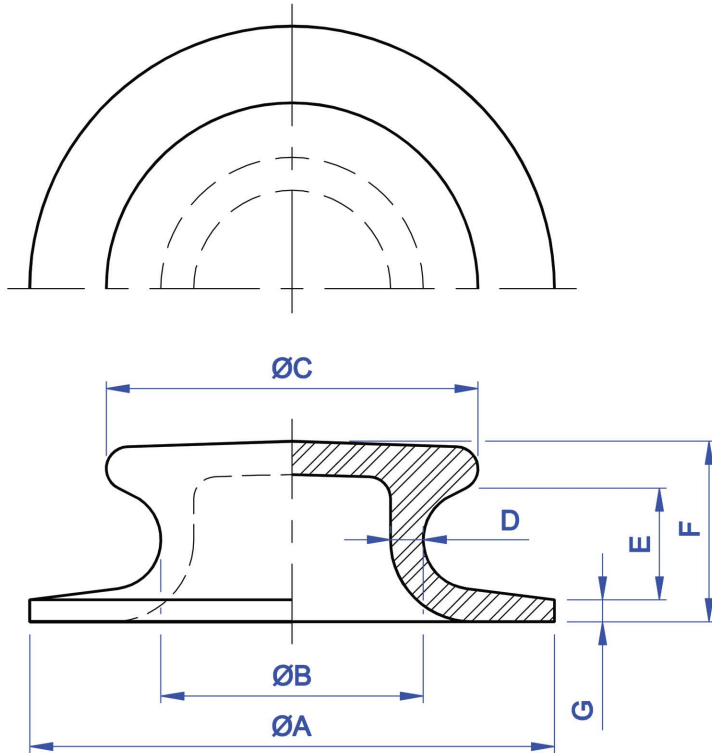
113

1250 Gateway Drive
Gallatin, Tennessee 37066
615-442-1300

The specifications and details described by drawings or text in this literature are subject to change without notice.



NABRICO



MODEL No.	PART No.	SIZE	ØA	ØB	ØC	D	E	F	G	WT. (lbs.)
DF-192	6408	6"	12"	6"	8 1/2"	3/4"	2 9/16"	4 1/8"	1/2"	40

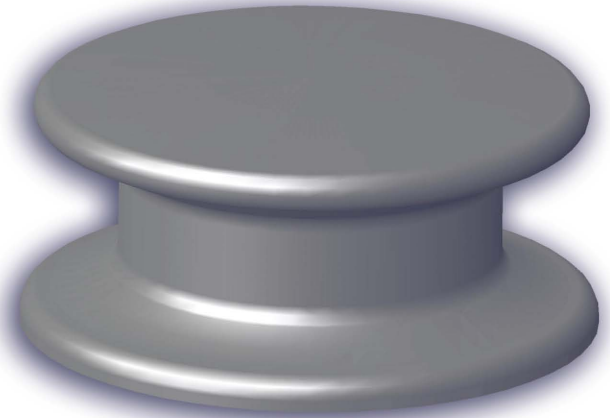
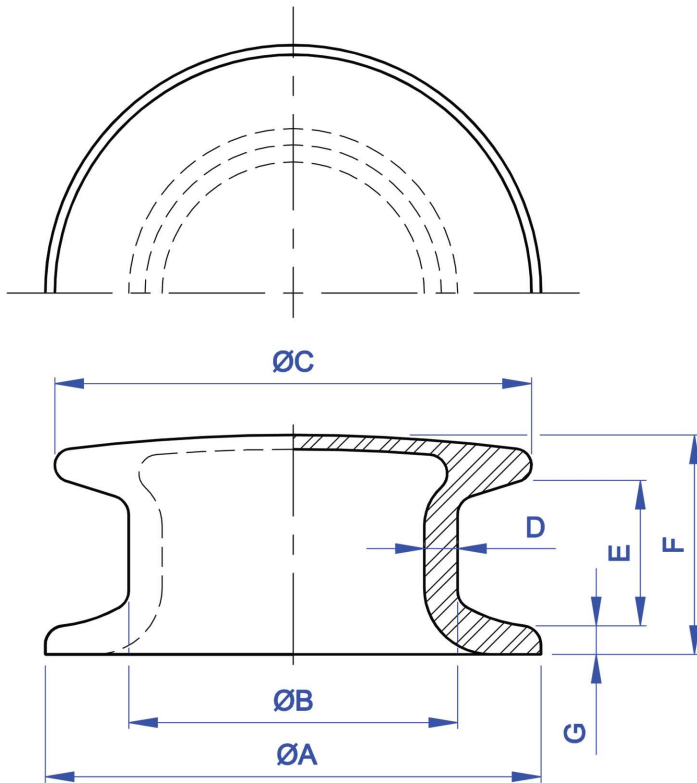
CAST STEEL 6" BUTTON CHOCK

Nabrico Products
www.nabrico-marine.com

1250 Gateway Drive
 Gallatin, Tennessee 37066
 615-442-1300



NABRICO



MODEL No.	PART No.	SIZE	ØA	ØB	ØC	D	E	F	G	WT. (lbs.)
DF-473C	77461	8"	13"	8 5/8"	12 1/2"	5/8"	3 3/4"	5 3/4"	3/4"	75

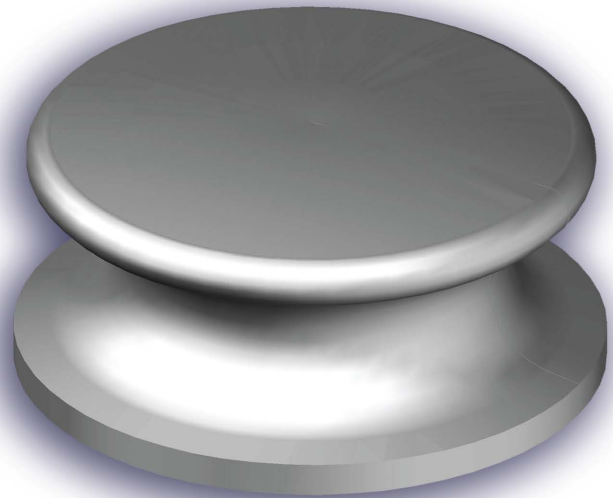
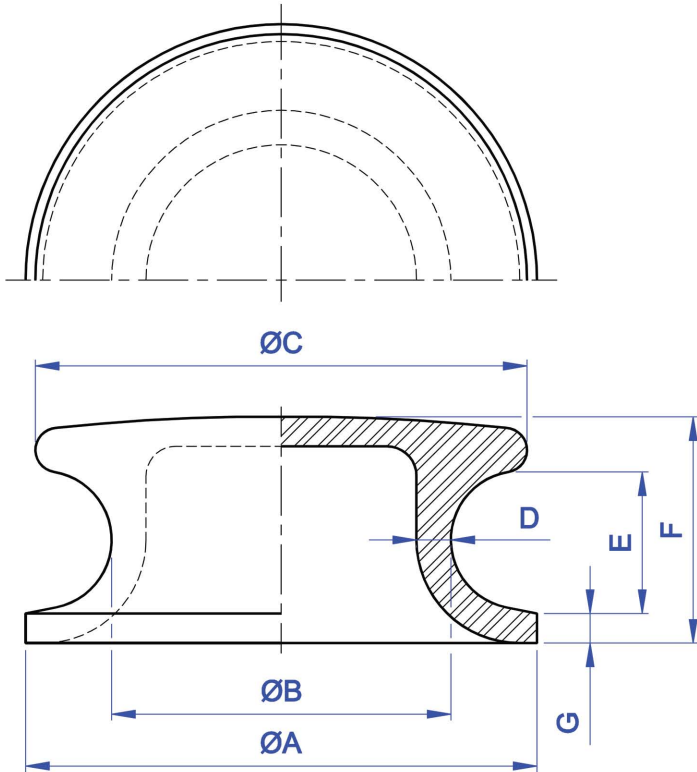
CAST STEEL 8" BUTTON CHOCK

Nabrico Products
www.nabrico-marine.com

1250 Gateway Drive
 Gallatin, Tennessee 37066
 615-442-1300



NABRICO



MODEL No.	PART No.	SIZE	ØA	ØB	ØC	D	E	F	G	WT. (lbs.)
DF-542	89990	8"	13"	8 5/8"	12 1/2"	7/8"	3 5/8"	5 3/4"	3/4"	75

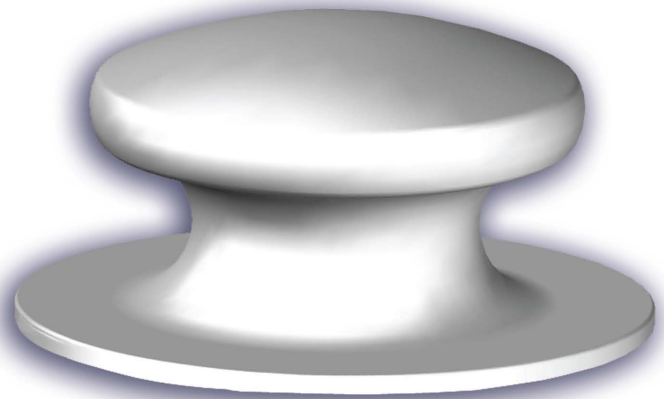
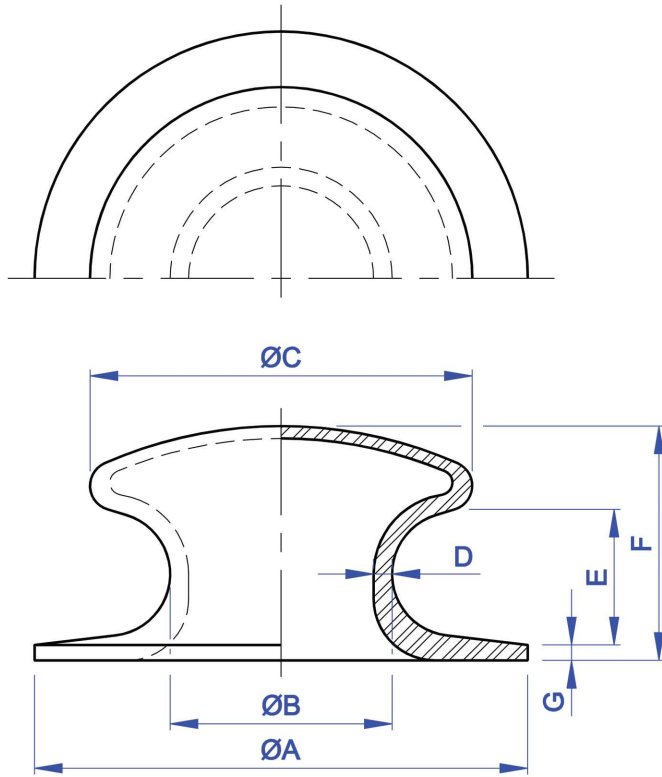
CAST STEEL 8" BUTTON CHOCK

Nabrico Products
www.nabrico-marine.com

1250 Gateway Drive
 Gallatin, Tennessee 37066
 615-442-1300



NABRICO



MODEL No.	PART No.	SIZE	ØA	ØB	ØC	D	E	F	G	WT. (lbs.)
DF-194	16128	9"	20"	9"	15 1/2"	3/4"	5 1/2"	9 1/2"	5/8"	158

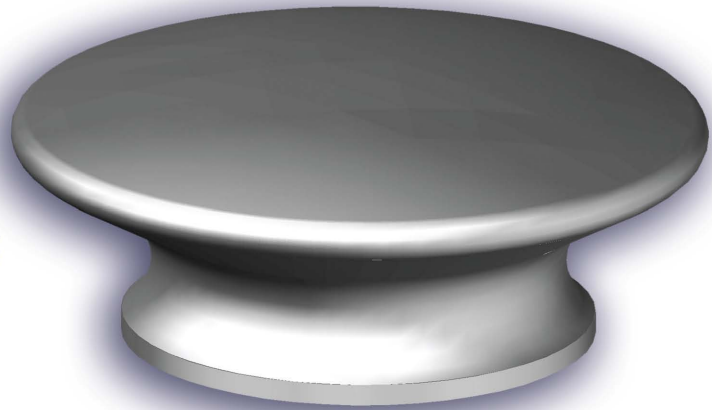
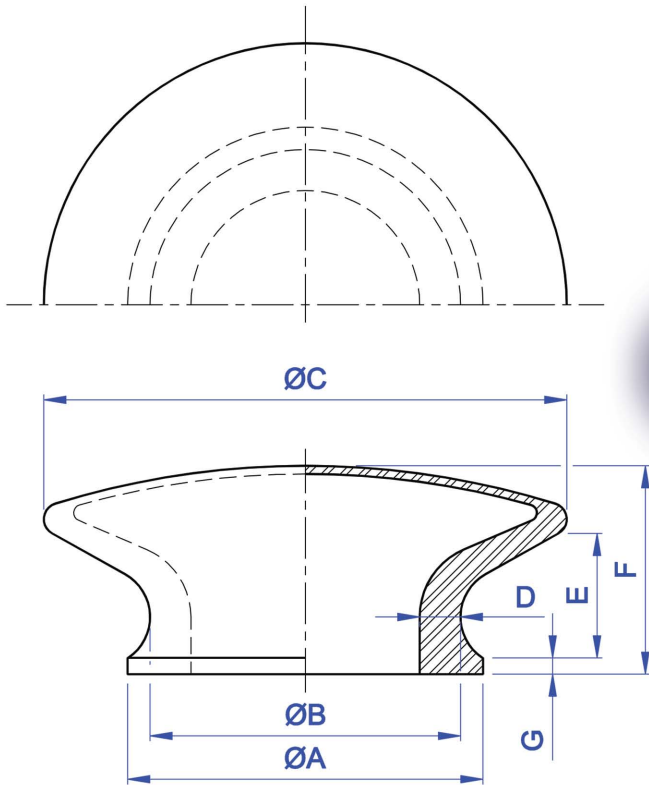
CAST STEEL 9" BUTTON CHOCK

Nabrico Products
www.nabrico-marine.com

1250 Gateway Drive
 Gallatin, Tennessee 37066
 615-442-1300



NABRICO



MODEL No.	PART No.	SIZE	ØA	ØB	ØC	D	E	F	G	WT. (lbs.)
DF-176	13838	9 1/2"	10 7/8"	9 1/2"	16"	1 1/4"	3 3/4"	6 3/8"	1/2"	84

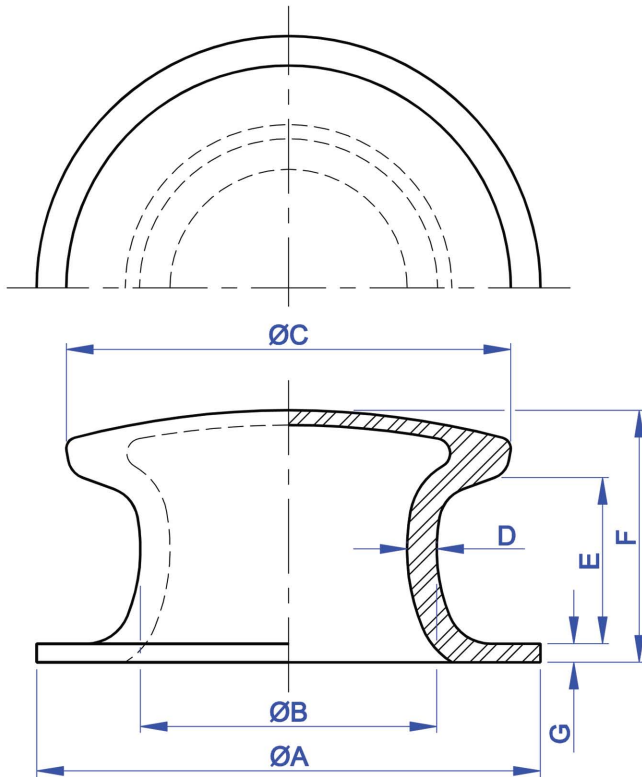
CAST STEEL 9 1/2" BUTTON CHOCK

Nabrico Products
www.nabrico-marine.com

1250 Gateway Drive
 Gallatin, Tennessee 37066
 615-442-1300



NABRICO



MODEL No.	PART No.	SIZE	ØA	ØB	ØC	D	E	F	G	WT. (lbs.)
DF-185	14567	10"	17"	10"	15"	1"	5 3/4"	8 1/2"	5/8"	145

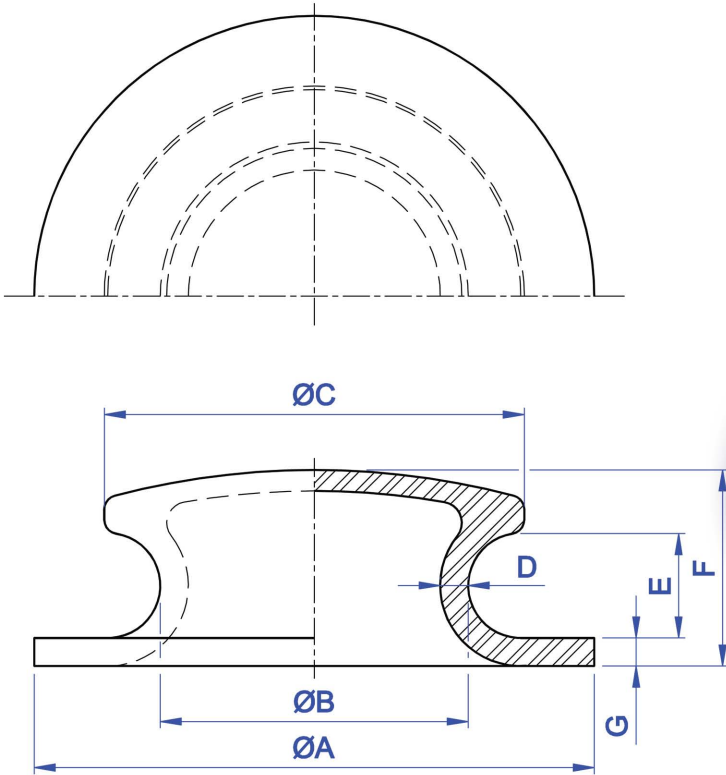
CAST STEEL 10" BUTTON CHOCK

Nabrico Products
www.nabrico-marine.com

1250 Gateway Drive
 Gallatin, Tennessee 37066
 615-442-1300



NABRICO



MODEL No.	PART No.	SIZE	ØA	ØB	ØC	D	E	F	G	WT. (lbs.)
DF-538	89907	11"	20"	11"	15"	1"	3 3/4"	7"	1"	165

CAST STEEL 11" BUTTON CHOCK

Nabrico Products
www.nabrico-marine.com

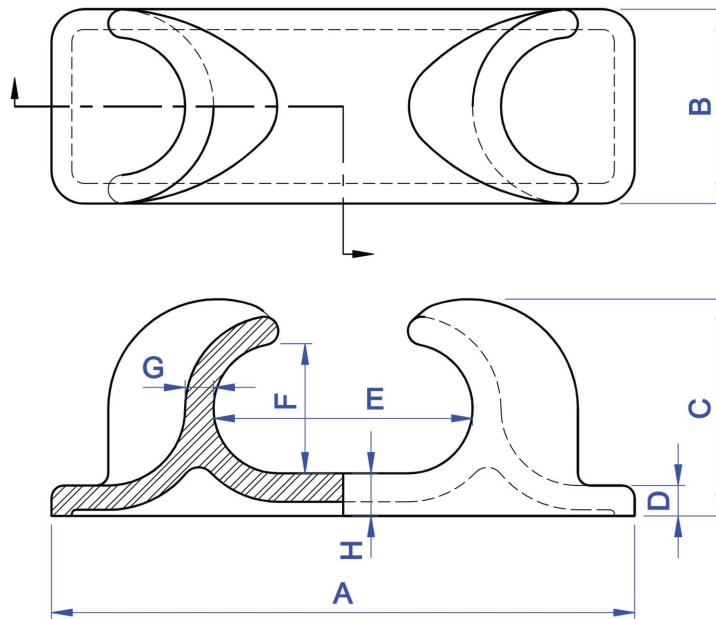
120

1250 Gateway Drive
 Gallatin, Tennessee 37066
 615-442-1300

The specifications and details described by drawings or text in this literature are subject to change without notice.



NABRICO



MODEL No.	PART No.	SIZE	A	B	C	D	E	F	G	H	WT. (lbs.)
DF-496	89451	4x8	19 3/4"	6"	6 3/4"	1 1/8"	8"	4"	1"	1 3/8"	75
DF-495	89443	5x11	25 1/4"	8"	9"	1 5/16"	10 3/4"	5 3/8"	1 1/4"	1 13/16"	132
DF-485	20362	6x12	27 3/4"	9"	10 1/8"	1 1/2"	12"	6"	1 3/8"	2 1/16"	175
DF-489	89346	8x16	36"	12"	13 3/8"	1 7/8"	16"	8"	1 3/4"	2 5/8"	435

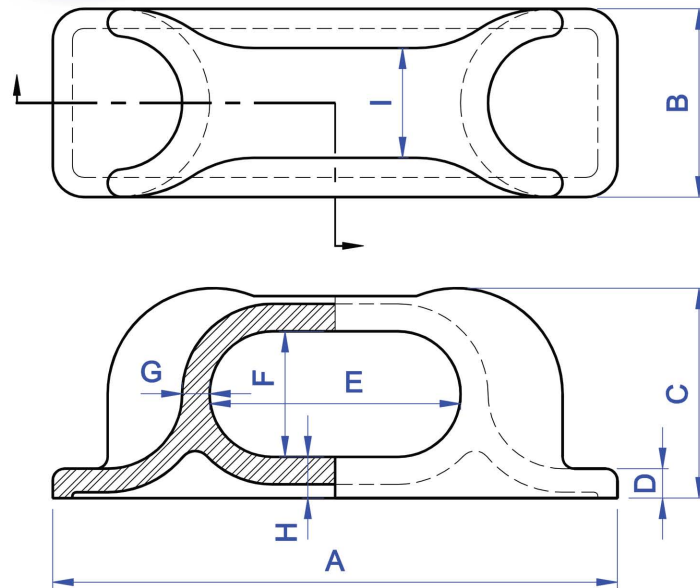
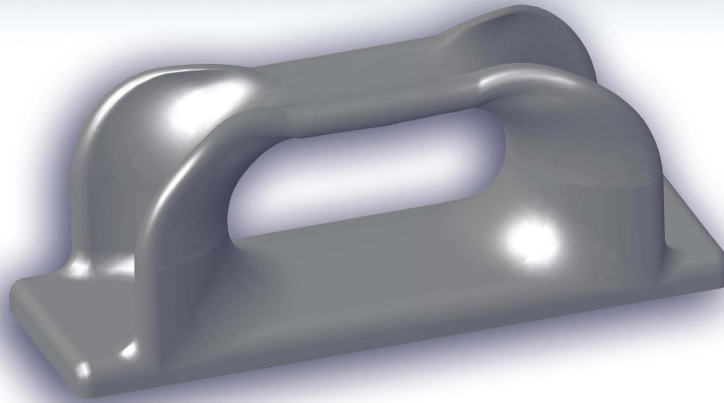
CAST STEEL OPEN CHOCK

Nabrico Products
www.nabrico-marine.com

1250 Gateway Drive
 Gallatin, Tennessee 37066
 615-442-1300



NABRICO



MODEL No.	PART No.	SIZE	A	B	C	D	E	F	G	H	I	WT. (lbs.)
DF-497	89478	4x8	19 3/4"	6"	6 3/4"	1 1/8"	8"	4"	1"	1 3/8"	3 1/2"	84
DF-480	89397	6x12	27 3/4"	9"	10 1/8"	1 1/2"	12"	6"	1 3/8"	2 1/16"	5 1/4"	191
DF-490	89354	8x16	36"	12"	13 3/8"	1 7/8"	16"	8"	1 3/4"	2 5/8"	7"	455

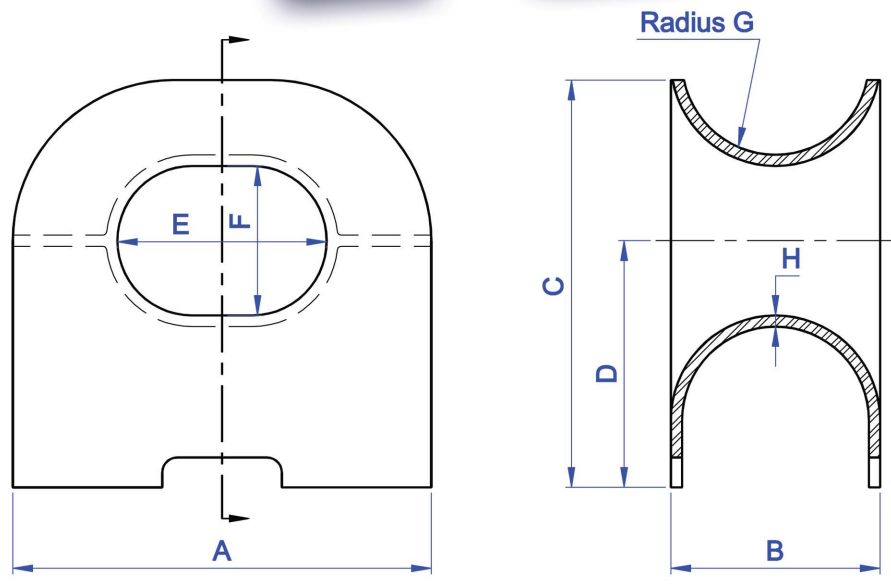
CAST STEEL CLOSED CHOCK

Nabrico Products
www.nabrico-marine.com

1250 Gateway Drive
 Gallatin, Tennessee 37066
 615-442-1300



NABRICO



MODEL No.	PART No.	SIZE	A	B	C	D	E	F	G	H	WT. (lbs.)
DF-531	21602	12x10	26"	14"	22"	12"	12"	10"	6 5/8"	3/4"	305
DF-531	21601	14x10	28"	14"	27 1/4"	16 1/2"	14"	10"	6 1/4"	3/4"	365

CAST STEEL PANAMA CANAL CHOCK

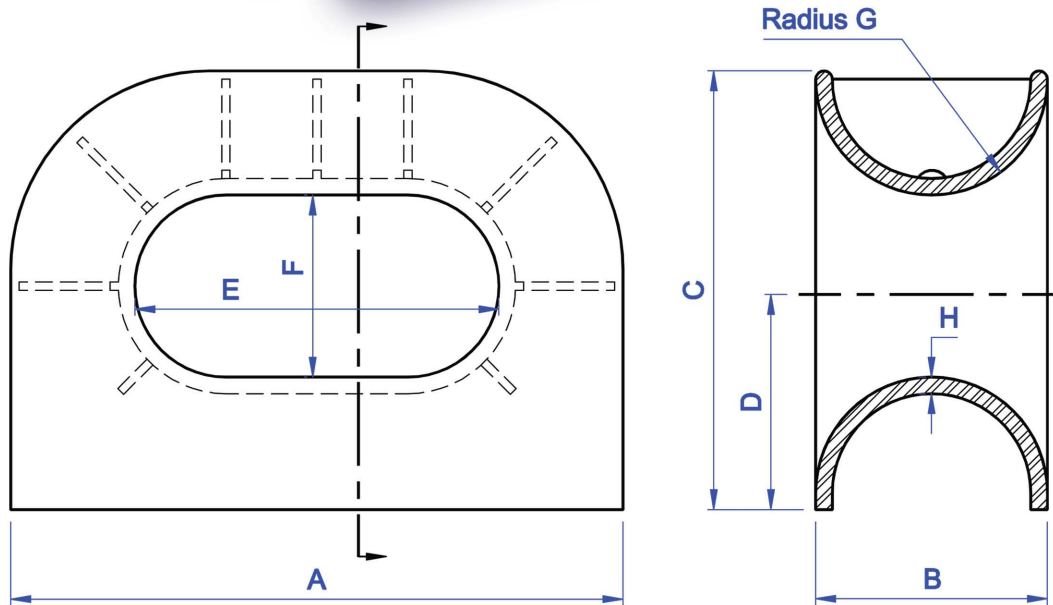
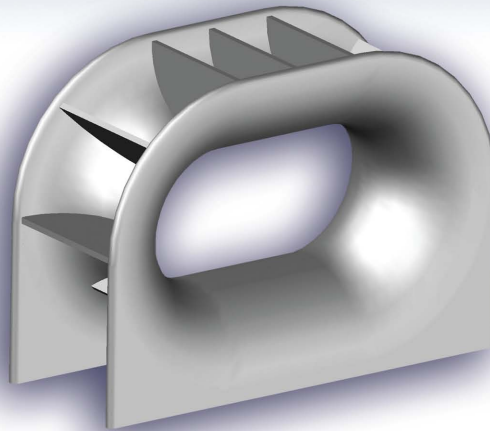
Nabrico Products
www.nabrico-marine.com

1250 Gateway Drive
 Gallatin, Tennessee 37066
 615-442-1300

The specifications and details described by drawings or text in this literature are subject to change without notice.



NABRICO



MODEL No.	PART No.	SIZE	A	B	C	D	E	F	G	H	WT. (lbs.)
DF-531	21554	22x11	37"	14"	26 1/2"	13 1/2"	22"	11"	7"	1"	790
DF-531	21607	18x12	33"	14"	31 1/2"	18"	18"	12"	7"	1 1/8"	1140
DF-531	21609	24x12	41"	16"	34 1/2"	20"	24"	12"	8"	1 1/8"	1200

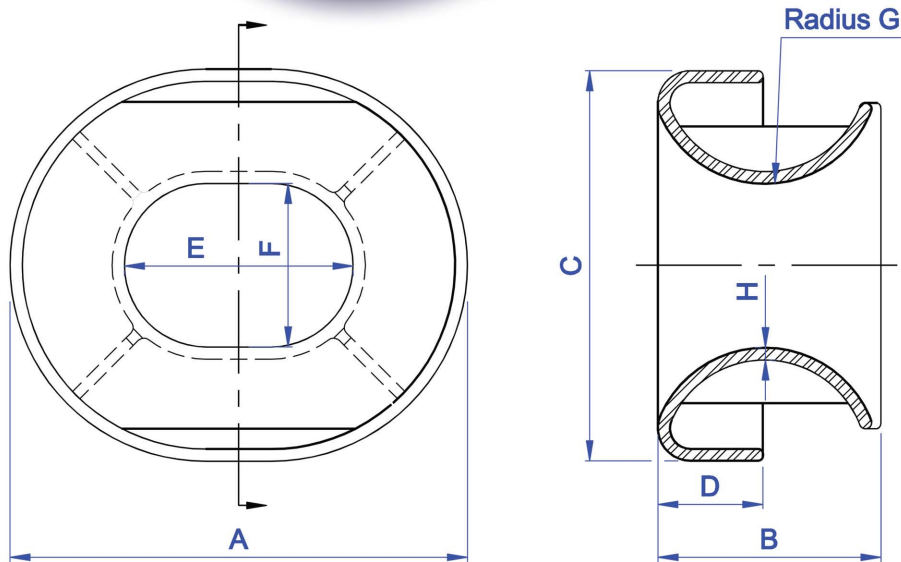
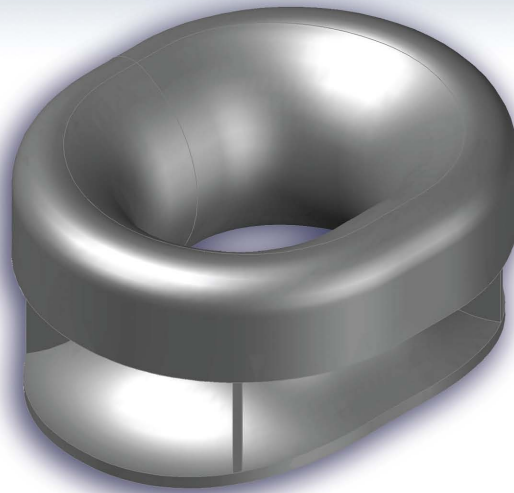
CAST STEEL PANAMA CANAL CHOCK

Nabrico Products
www.nabrico-marine.com

1250 Gateway Drive
 Gallatin, Tennessee 37066
 615-442-1300



NABRICO



MODEL No.	PART No.	SIZE	A	B	C	D	E	F	G	H	WT. (lbs.)
DF-531	21551	12x10	25 1/2"	13 1/2"	23 1/2"	6 1/2"	12"	10"	7"	3/4"	256
DF-531	21550	14x10	27 1/2"	13 1/2"	23 1/2"	6 1/2"	14"	10"	7"	3/4"	410

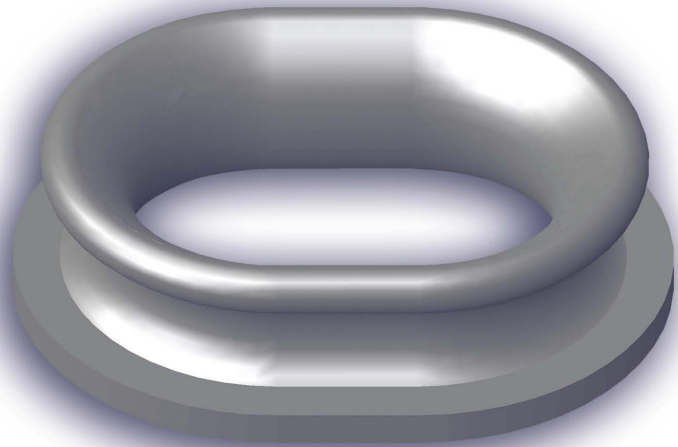
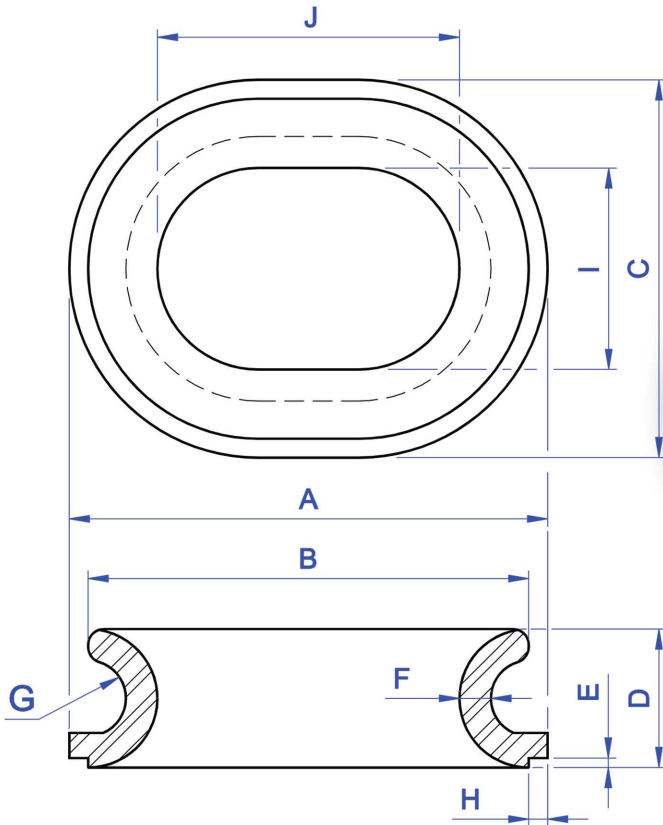
CAST STEEL PANAMA CANAL CHOCK (BULWARK)

Nabrico Products
www.nabrico-marine.com

1250 Gateway Drive
 Gallatin, Tennessee 37066
 615-442-1300



NABRICO



MODEL No.	PART No.	SIZE	A	B	C	D	E	F	G	H	I	J	WT. (lbs.)
DF-528	21512	8x12	19"	17 1/2"	15"	5 1/2"	3/8"	1 1/4"	1 1/2"	3/4"	8"	12"	130

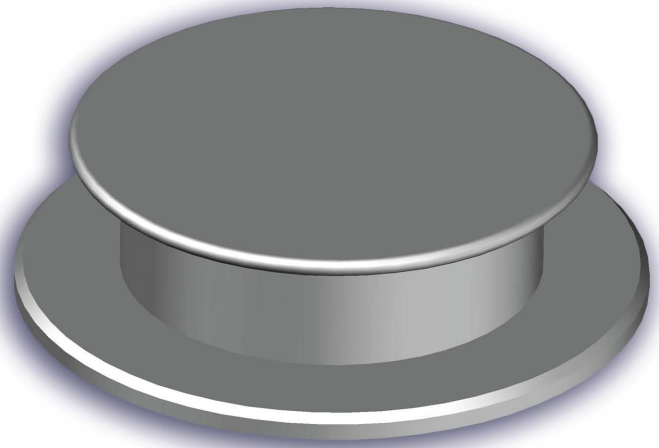
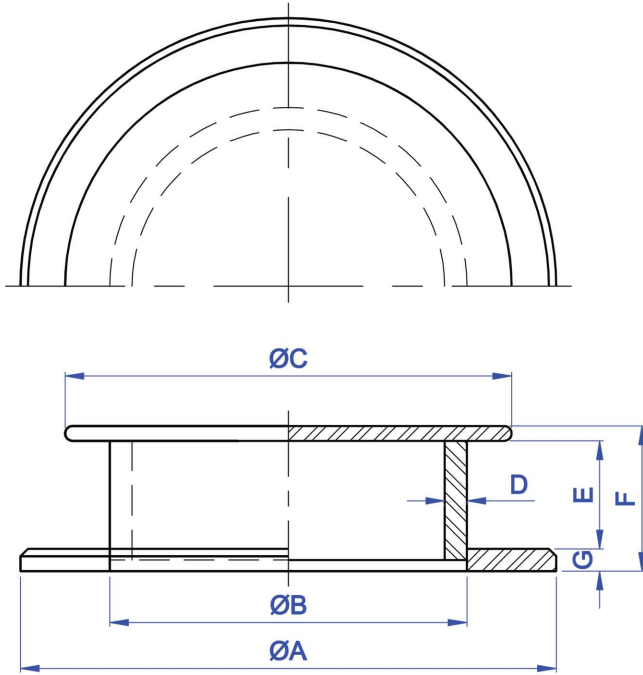
CAST STEEL MOORING RING

Nabrico Products
www.nabrico-marine.com

1250 Gateway Drive
 Gallatin, Tennessee 37066
 615-442-1300



NABRICO



MODEL No.	PART No.	SIZE	ØA	ØB	ØC	D	E	F	G	WT. (lbs.)
DF-148	6610	3 1/2"	8"	3 1/2"	7"	N/A	1 3/4"	3 1/4"	1"	25
DF-129	6688	8 1/2"	14 5/8"	8 5/8"	11 5/8"	7/8"	1 3/4"	3"	3/4"	52
DF-158	6505	8 1/2"	14 5/8"	8 5/8"	11 5/8"	7/8"	3"	4 1/4"	3/4"	62
DF-129A	6661	11"	17"	11"	14"	1"	1 3/4"	3"	3/4"	70
DF-158A	6491	12"	18"	12"	15"	3/4"	3 5/8"	4 7/8"	3/4"	95

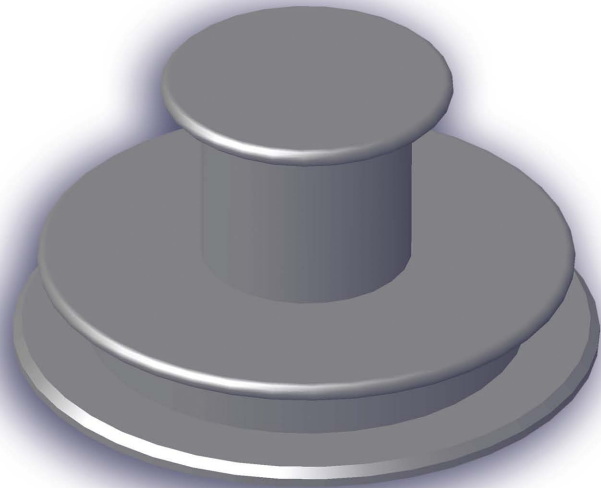
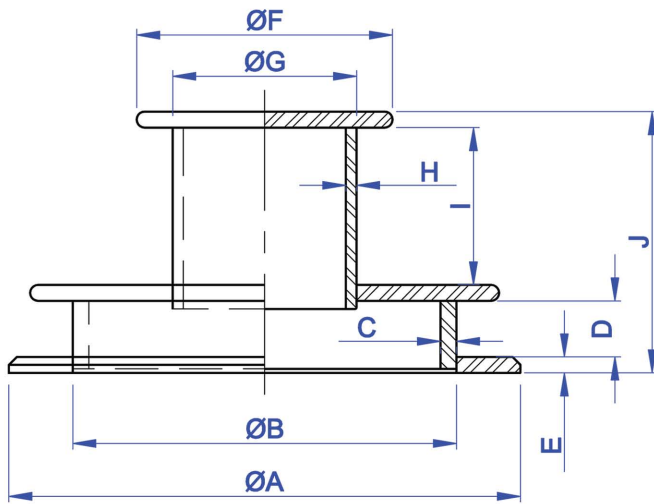
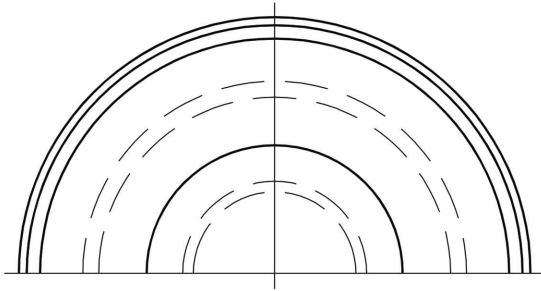
FABRICATED STEEL BUTTON CHOCK

Nabrico Products
www.nabrico-marine.com

1250 Gateway Drive
 Gallatin, Tennessee 37066
 615-442-1300



NABRICO



MODEL No.	PART No.	ØA	ØB	C	D	E	ØF	ØG	H	I	J	WT. (lbs.)
DF-163	13803	24"	18"	3/4"	2 5/8"	3/4"	12"	8 5/8"	1/2"	7 3/8"	12 1/4"	210

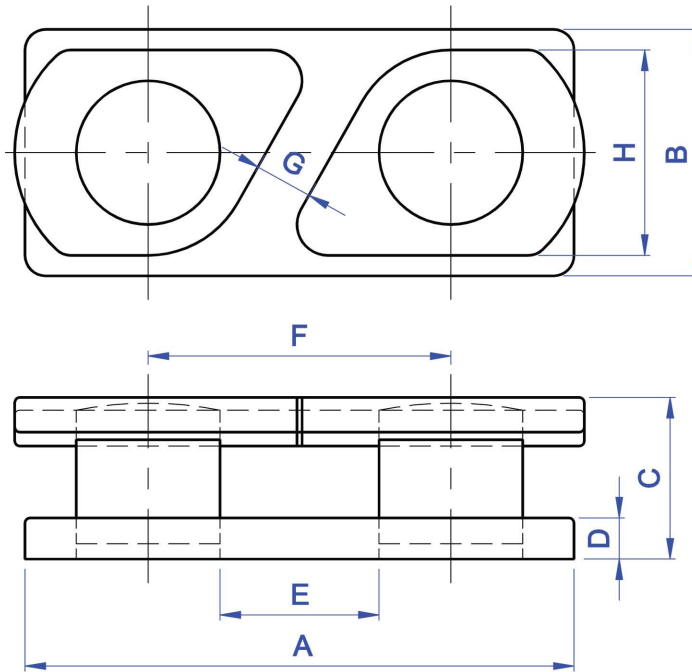
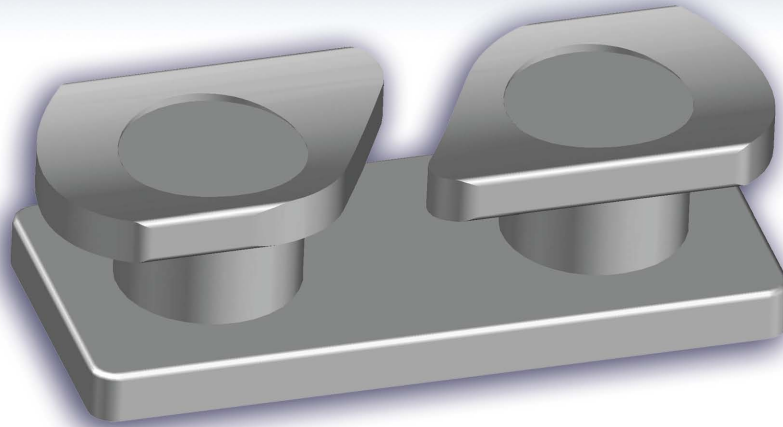
FABRICATED STEEL COMBINATION BITT

Nabrico Products
www.nabrico-marine.com

1250 Gateway Drive
 Gallatin, Tennessee 37066
 615-442-1300



NABRICO



MODEL No.	PART No.	A	B	C	D	E	F	G	H	WT. (lbs.)
DF-149	6602	13 3/8"	6"	4"	1"	3 7/8"	7 3/8"	1 3/8"	5"	47

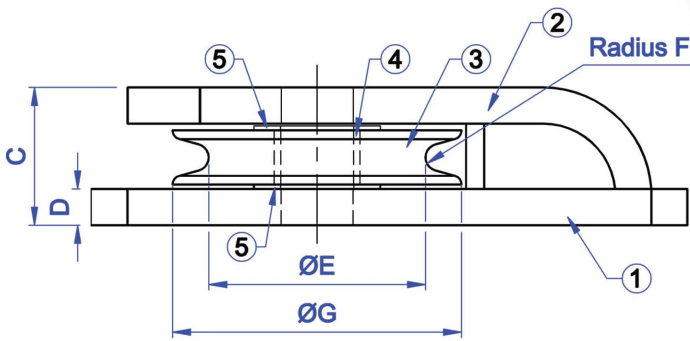
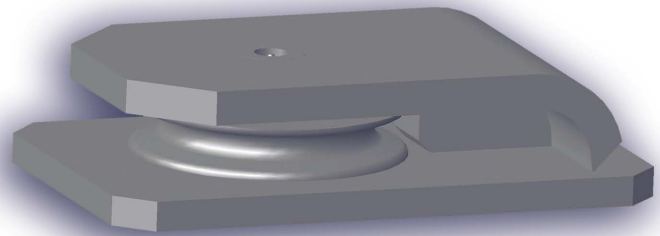
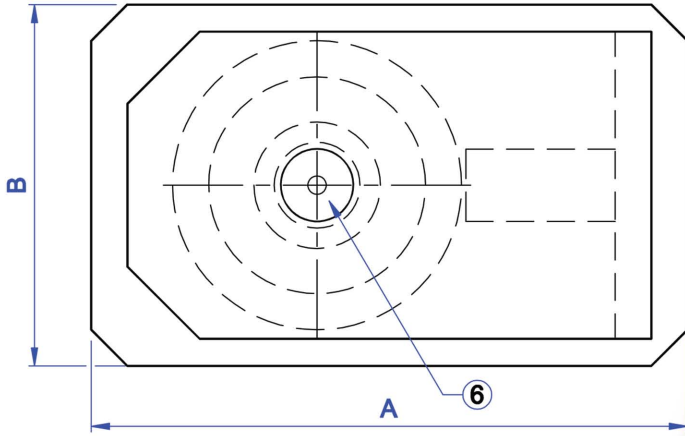
FABRICATED STEEL OPEN CHOCK

Nabrico Products
www.nabrico-marine.com

1250 Gateway Drive
 Gallatin, Tennessee 37066
 615-442-1300



NABRICO



PIECE No.	DESCRIPTION	PART No.	MATERIAL
1	ROLLER BODY BOTTOM	76988	STEEL
2	ROLLER BODY TOP	76996	STEEL
3	ROLLER SHEAVE	77003	STEEL
4	BUSHING	77410	BRASS
5	WASHER	77046	BRASS
6	ROLLER PIN	77038	STEEL

MODEL No.	PART No.	SIZE	A	B	C	D	ØE	F	ØG	WT. (lbs.)
DF-361	13862	8"	16 1/2"	10"	3 13/16"	1"	6"	3/8"	8"	123

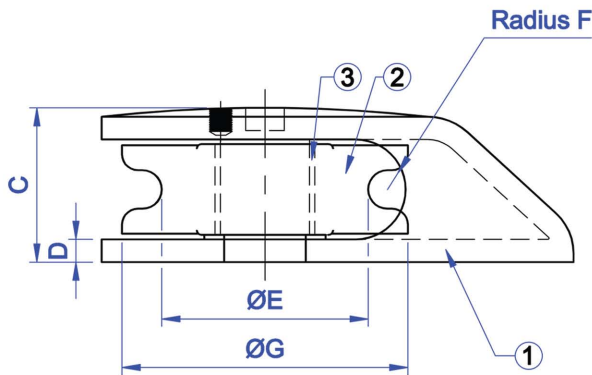
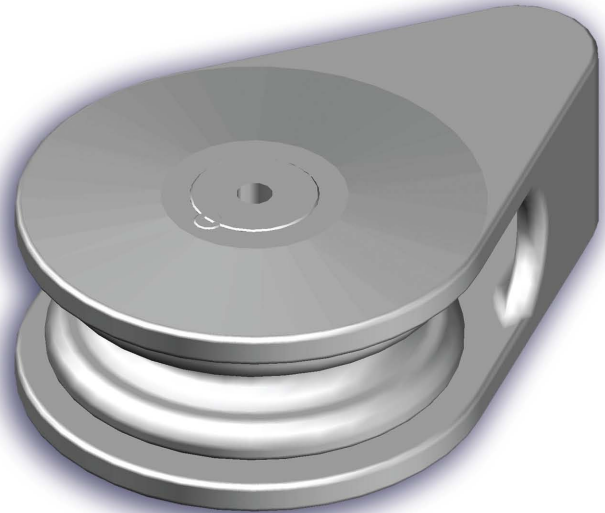
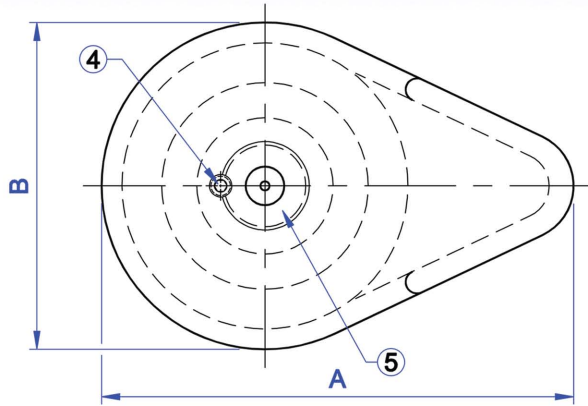
SINGLE ROLLER CHOCK

Nabrico Products
www.nabrico-marine.com

1250 Gateway Drive
 Gallatin, Tennessee 37066
 615-442-1300



NABRICO



PIECE No.	DESCRIPTION	PART No.	MATERIAL
1	HOUSING ASSEMBLY	89273	CAST STEEL
2	ROLLER SHEAVE	89281	CAST STEEL
3	BUSHING	89303	BRASS
4	SET SCREW	70599	STEEL
5	ROLLER PIN	89311	STEEL

MODEL No.	PART No.	SIZE	A	B	C	D	ØE	F	ØG	WT. (lbs.)
DF-927	89265	8"	13"	9"	4 1/4"	5/8"	5 11/16"	17/32"	7 7/8"	55

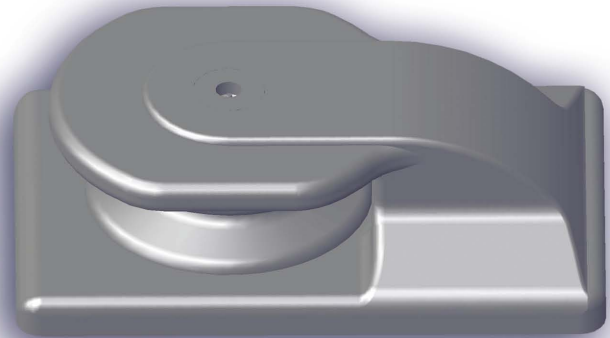
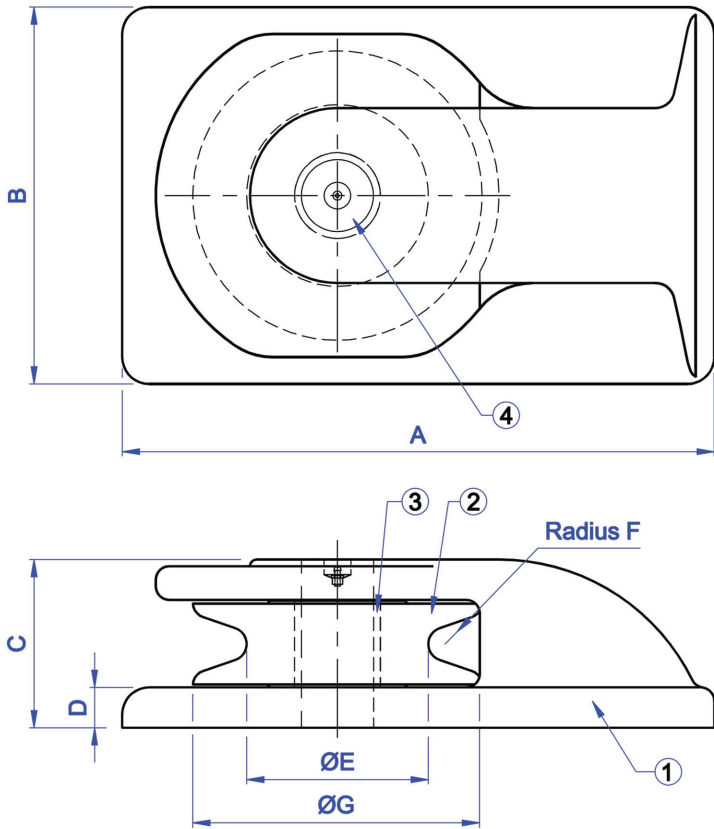
SINGLE ROLLER CHOCK

Nabrico Products
www.nabrico-marine.com

1250 Gateway Drive
 Gallatin, Tennessee 37066
 615-442-1300



NABRICO



PIECE No.	DESCRIPTION	PART No.	MATERIAL
1	HOUSING	6467	CAST STEEL
2	ROLLER SHEAVE	6734	CAST STEEL
3	BUSHING	6726	BRONZE
4	ROLLER PIN	76198	STEEL

MODEL No.	PART No.	SIZE	A	B	C	D	ØE	F	ØG	WT. (lbs.)
DF-164	6475	11"	22"	14"	6 1/4"	1 1/2"	6 3/4"	5/8"	10 3/4"	296

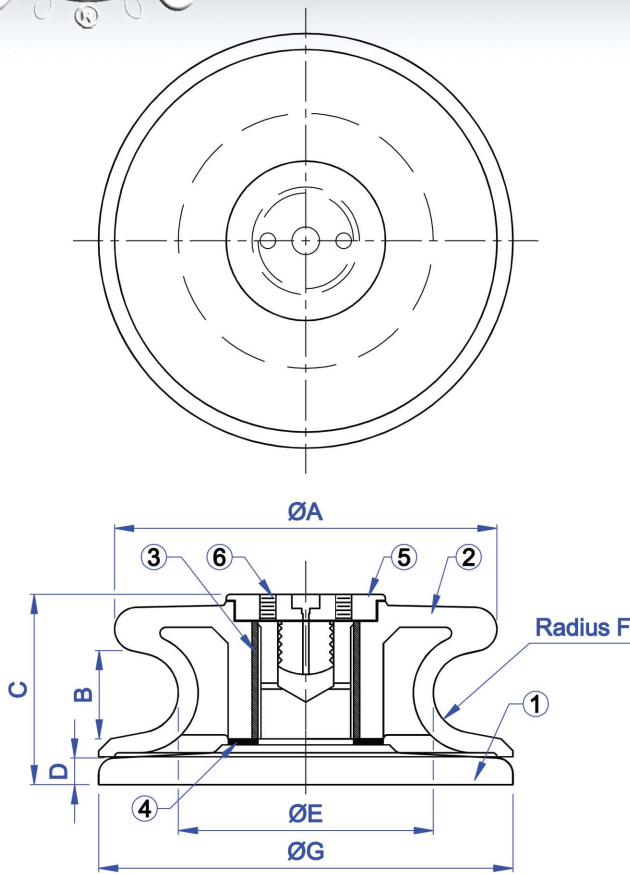
SINGLE ROLLER CHOCK

Nabrico Products
www.nabrico-marine.com

1250 Gateway Drive
 Gallatin, Tennessee 37066
 615-442-1300



NABRICO



PIECE No.	DESCRIPTION	PART NUMBER		MATERIAL
		DF-512	DF-511	
1	ROLLER BASE	89257		CAST STEEL
2	ROLLER SHEAVE	89230	6947	CAST STEEL
3	BUSHING	6920		BRASS
4	WASHER	6912		BRASS
5	ROLLER CAP	6939		BRASS
6	SET SCREW	74918		STAINLESS

MODEL No.	PART No.	SIZE	ØA	B	C	D	ØE	F	ØG	WT. (lbs.)
DF-512	89222	12"	12"	2 3/4"	6"	7/8"	8"	1 1/4"	13"	125
DF-511	89249	16"	16"	3 3/16"	6"	7/8"	8"	1 1/4"	13"	140

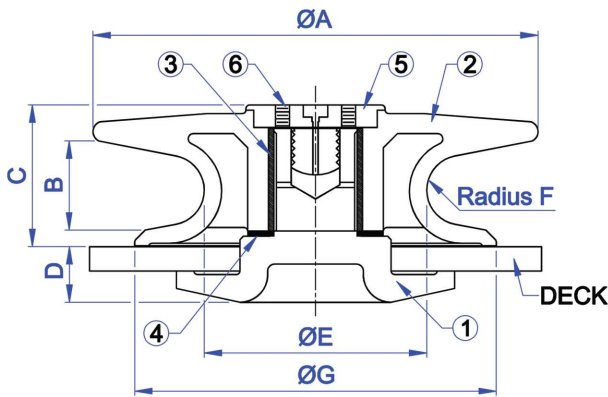
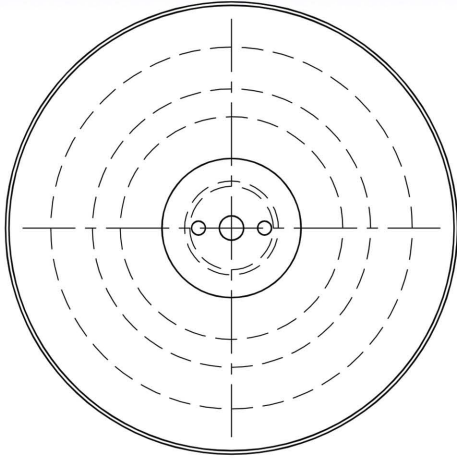
SINGLE ROLLER BUTTON CHOCK

Nabrico Products
www.nabrico-marine.com

1250 Gateway Drive
 Gallatin, Tennessee 37066
 615-442-1300



NABRICO



PIECE No.	DESCRIPTION	PART No.	MATERIAL
1	ROLLER BASE	6971	CAST STEEL
2	ROLLER SHEAVE	6947	CAST STEEL
3	BUSHING	6920	BRONZE
4	WASHER	6912	BRASS
5	ROLLER CAP	6939	BRASS
6	SET SCREW	74918	STAINLESS

MODEL No.	PART No.	SIZE	A	B	C	D	ØE	F	ØG	WT. (lbs.)
DF-11	6998	16"	16"	3 3/16"	5 1/16"	2"	8"	1 1/4"	13"	126

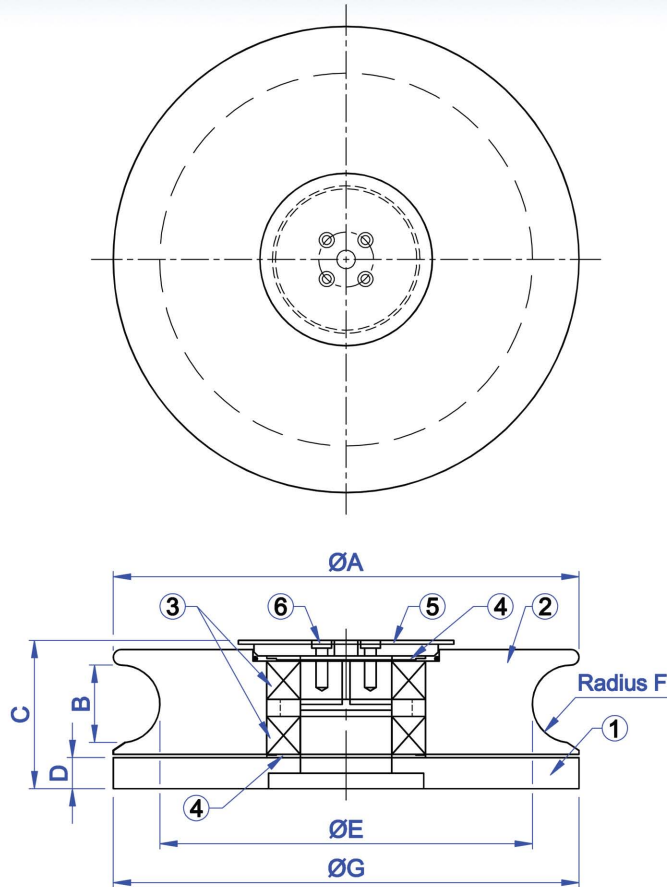
THRU DECK SINGLE ROLLER BUTTON CHOCK

Nabrico Products
www.nabrico-marine.com

1250 Gateway Drive
 Gallatin, Tennessee 37066
 615-442-1300



NABRICO



PIECE No.	DESCRIPTION	PART No.	MATERIAL
1	ROLLER BASE	79026	STEEL
2	ROLLER SHEAVE	79027	STEEL
3	ROLLER BEARING (x2)	79025	STAINLESS
4	WASHER (x2)	79028	STEEL
5	ROLLER CAP	79029	STEEL
6	SCREW	79030	STAINLESS

MODEL No.	PART No.	SIZE	ØA	B	C	D	ØE	F	ØG	WT. (lbs.)
DF-511HD	89250	15"	15"	2 1/2"	6"	1"	12"	1 1/4"	15"	180

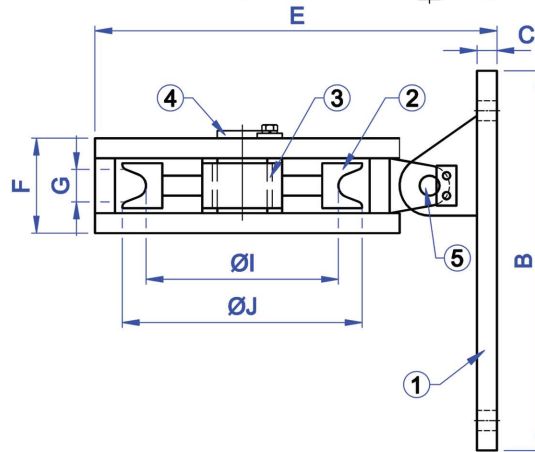
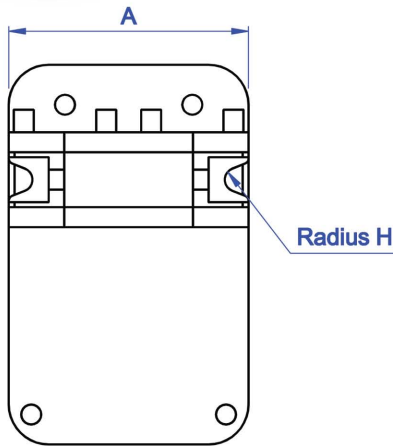
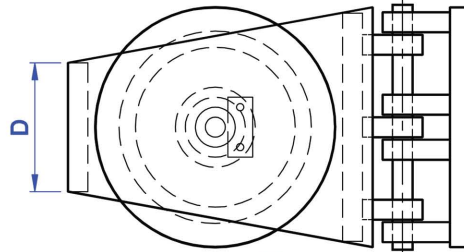
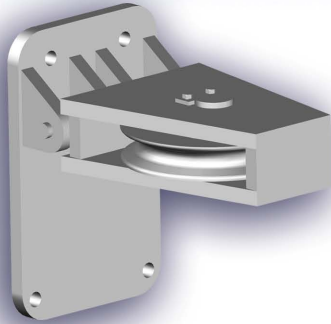
HEAVY DUTY SINGLE ROLLER BUTTON CHOCK

Nabrico Products
www.nabrico-marine.com

1250 Gateway Drive
 Gallatin, Tennessee 37066
 615-442-1300



NABRICO



PIECE No.	DESCRIPTION	PART No.		MATERIAL
		DF-710	DF-712	
1	MOUNTING PLATE	6735		STEEL
2	ROLLER SHEAVE	6736	6738	STAINLESS
3	BUSHING	6740		BRONZE
4	ROLLER PIN	6737		STAINLESS
5	HINGE PIN	6739		STAINLESS

MODEL No.	PART No.	SIZE	A	B	C	D	E	F	G	H	ØI	J	WT. (lbs.)
DF-710	6478	10"	12"	19"	1"	6 1/2"	18 3/4"	4 3/4"	1 7/8"	1/2"	7 1/2"	10"	210
DF-712	6479	12"	12"	19"	1"	6 1/2"	20 1/4"	4 3/4"	2"	9/16"	9 1/2"	12"	240

PIVOTING ROLLER CHOCK

Nabrico Products
www.nabrico-marine.com

1250 Gateway Drive
 Gallatin, Tennessee 37066
 615-442-1300

SPECIALTY

NABRICO manufactures expansion domes, portlights, fuel/oil tanks, drip pans, dog handles, and many other custom castings and fabrications. While many of these items are stock items, NABRICO can custom fit many of our products to your specific requirements. For over 100 years, NABRICO has been using their engineering ingenuity to ensure that our products fit the specific needs of our customers.



SPECIALTY

FUEL/OIL TANK	138-140
WARNING SIGN	141-143
HEADS	144-145
BILGE PLATES	146
D-RING	147
CORNER PLATES	148
SUCTION BELLMOUTH	149-151
RATCHET STRAP	152
STUFFING GLAND	153
EXPANSION TRUNK	154-155
EXPANSION DOME	156
INTERLOCKING PIN	157
FLAG POLE	158
FAIRLEAD ROLLER	159
BARGE CRANE	160-162
PORTLIGHT	163-168
RUNNING LIGHT STAND	169
LADDER	170
STEERING POLE	171
DOCUMENT BOX	172
DRY BOX	173
DRIP PAN / COVER	174-175
DOG HANDLE	176
TUMBLE BOLT	177
TUMBLE BOLT PIN	178
TUMBLE BOLT LUG	179
DOGGING PAD	180
T-HANDLE	181
SQUARE BRASS NUT	182
FLEET ANGLE	183



Nabrico Products
www.nabrico-marine.com

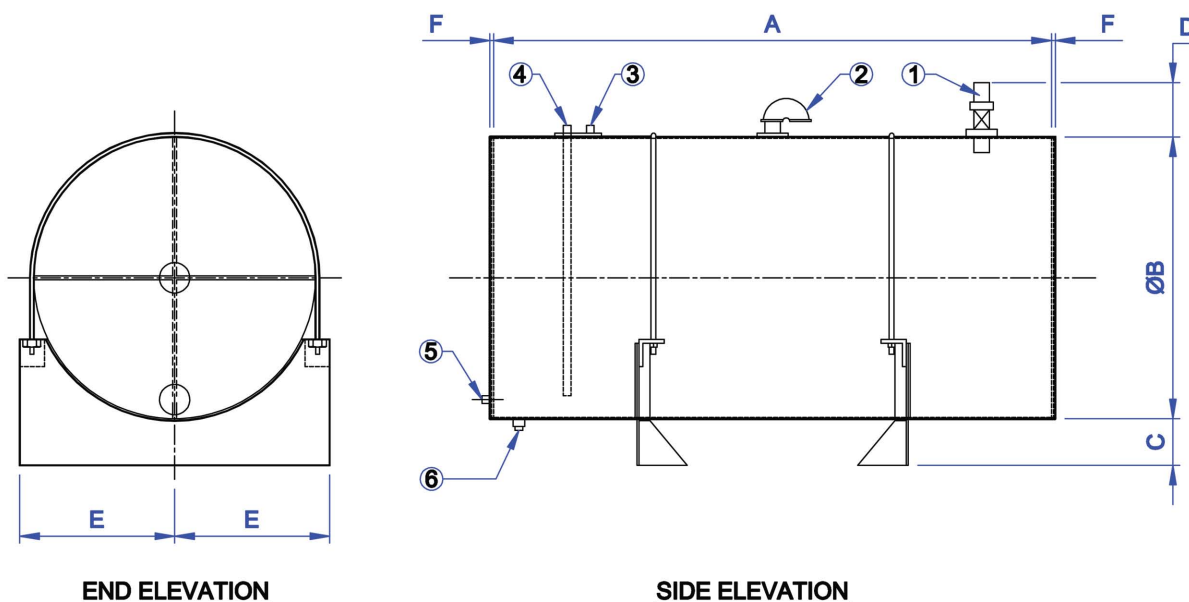
137

1250 Gateway Drive
Gallatin, Tennessee 37066
615-442-1300

The specifications and details described by drawings or text in this literature are subject to change without notice.



NABRICO



END ELEVATION

SIDE ELEVATION

PIECE No.	DESCRIPTION
1	2" DIA. FILL w/BRASS CAP AND CHAIN
2	2 1/2" DIA. VENT w/STAINLESS STEEL FLAME SCREEN
3	1" DIA. RETURN CONNECTION
4	1" DIA. SUCTION CONNECTION
5	1" DIA. OPTIONAL SUCTION OR DRAIN w/PLUG
6	1 1/2" DIA. DRAIN w/PLUG

MODEL No.	PART No.	SIZE	A	ØB	C	D	E	F	WT. (lbs.)
DF-448	6246	300 GALLON	72"	36"	6"	7"	20"	5/16"	715

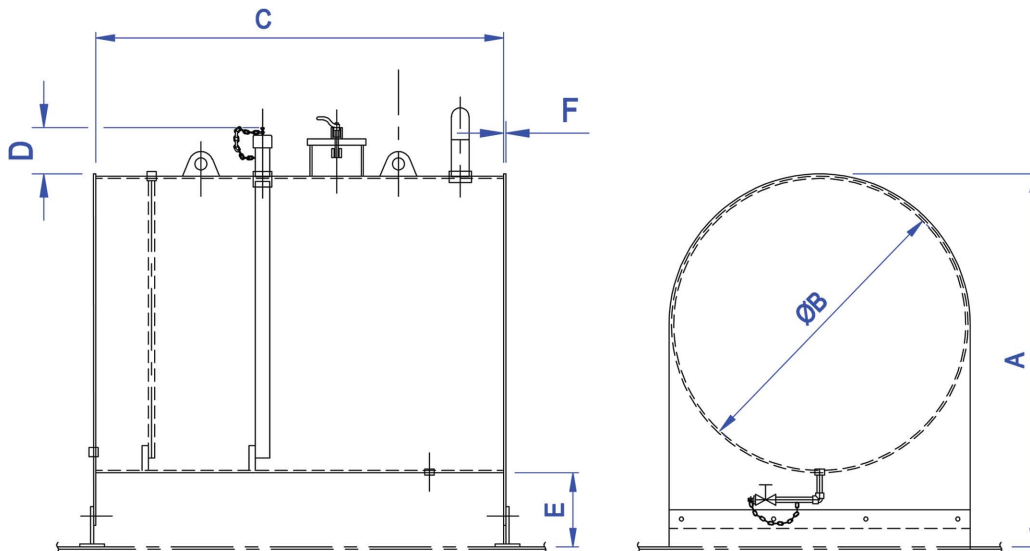
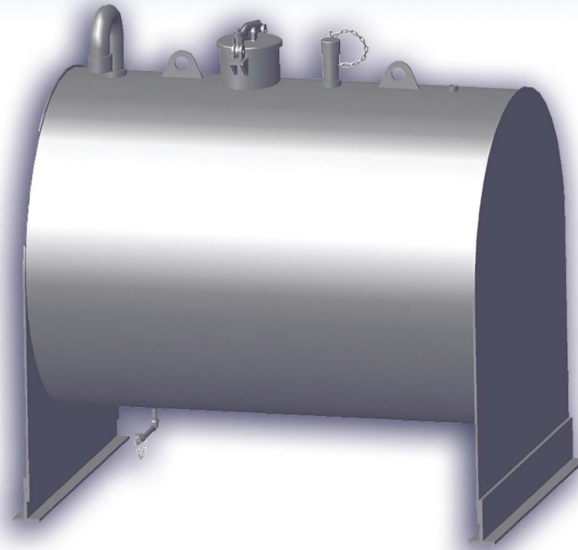
300 GALLON FUEL OIL TANK

Nabrico Products
www.nabrico-marine.com

1250 Gateway Drive
 Gallatin, Tennessee 37066
 615-442-1300



NABRICO



MODEL No.	PART No.	SIZE	A	ØB	C	D	E	F	WT. (lbs.)
DF-457	87881	500 GALLON	48 7/16"	42"	84 3/4"	7"	6"	1/2"	1250

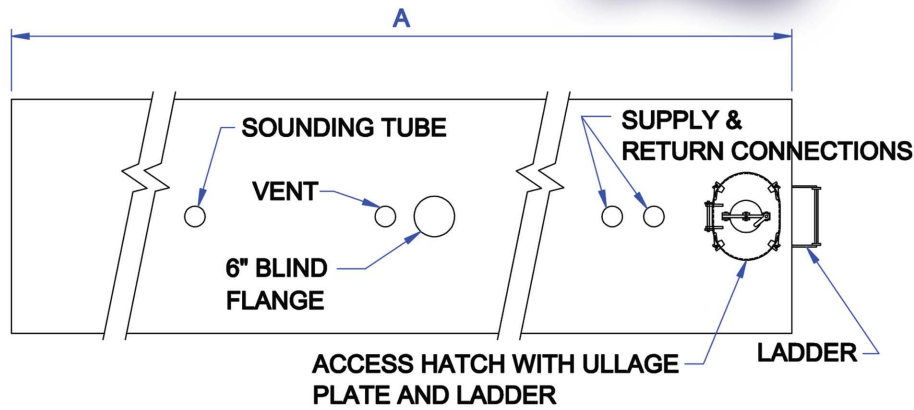
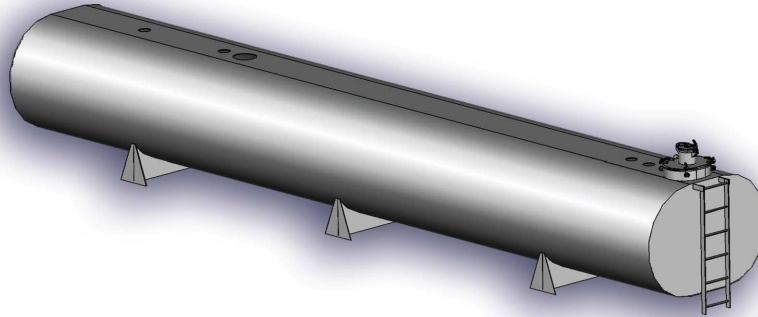
500 GALLON FUEL TANK

Nabrico Products
www.nabrico-marine.com

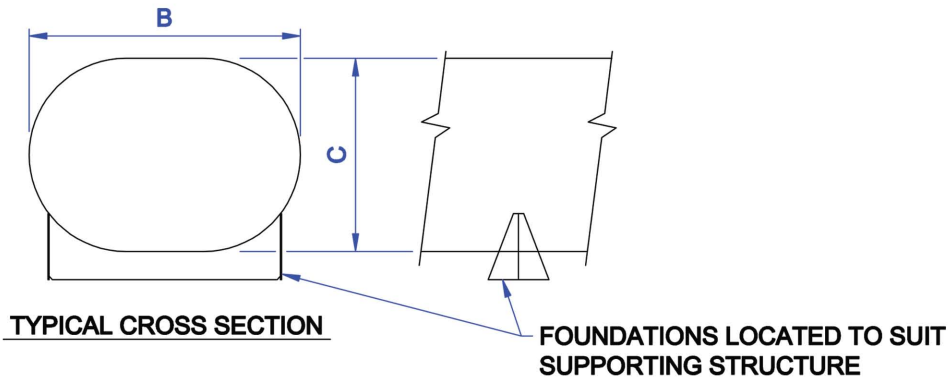
1250 Gateway Drive
 Gallatin, Tennessee 37066
 615-442-1300



NABRICO



PLAN VIEW



MODEL No.	PART No.	SIZE	A	ØB	C	WT. (lbs.)
DF-136	87912	7500 GALLON	37' 6"	6' 8"	4' 9"	9800

1- CUSTOM SIZES AND STYLES AVAILABLE.

7500 GALLON DECK TANK

Nabrico Products
www.nabrico-marine.com

1250 Gateway Drive
 Gallatin, Tennessee 37066
 615-442-1300



NABRICO



- NOTES: 1. THE SIGN CONFORMS TO 46CFR151.45-2(e) (1)
 2. INFORMATION SHOWN ON BOTH SIDES OF SIGN

MODEL No.	PART No.	SIZE	A	ØB	WT. (lbs.)
DF-125	6718	27x40	27"	40"	5

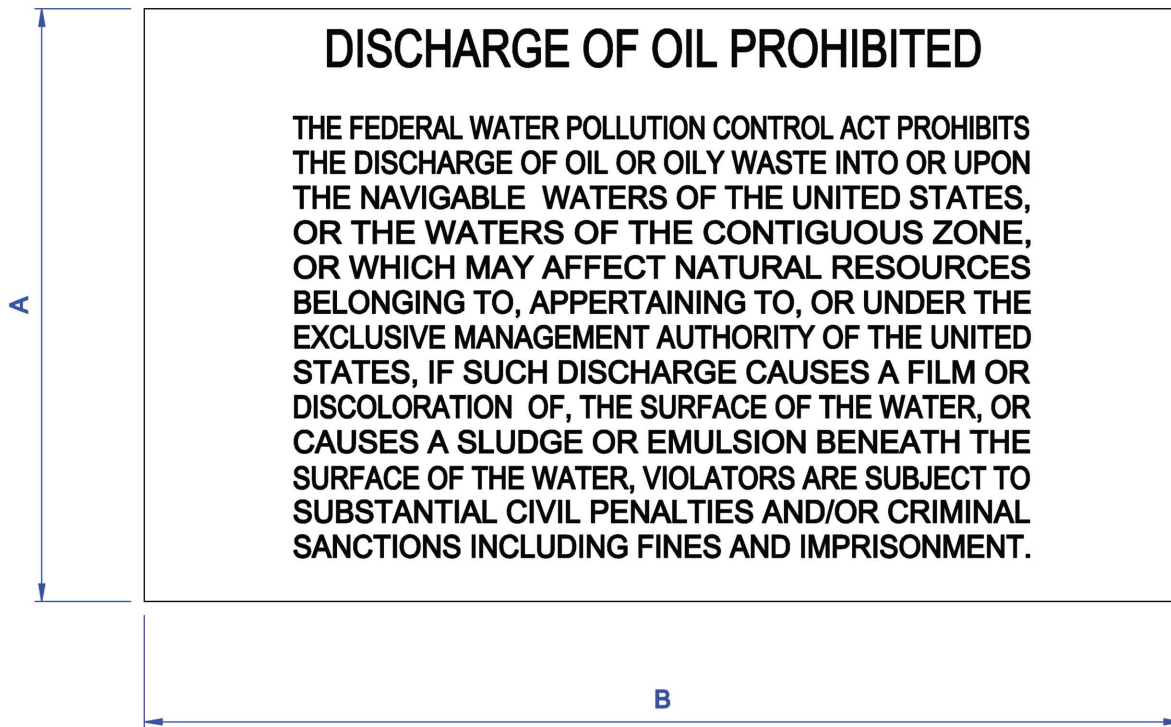
ALUMINUM WARNING SIGN

Nabrico Products
www.nabrico-marine.com

1250 Gateway Drive
 Gallatin, Tennessee 37066
 615-442-1300



NABRICO



- NOTES:**
1. THIS SIGN CONFORMS TO 33 CFR 155.450 (a)
 2. INFORMATION SHOWN ON ONE SIDE OF SIGN
 3. RED LETTERS ON WHITE BACKGROUND
 4. COMES WITH DOUBLE-SIDED FOAM TAPE FOR EASY MOUNTING

MODEL No.	PART No.	SIZE	A	ØB	WT. (lbs.)
DF-513	75434	8x14	8"	14"	1

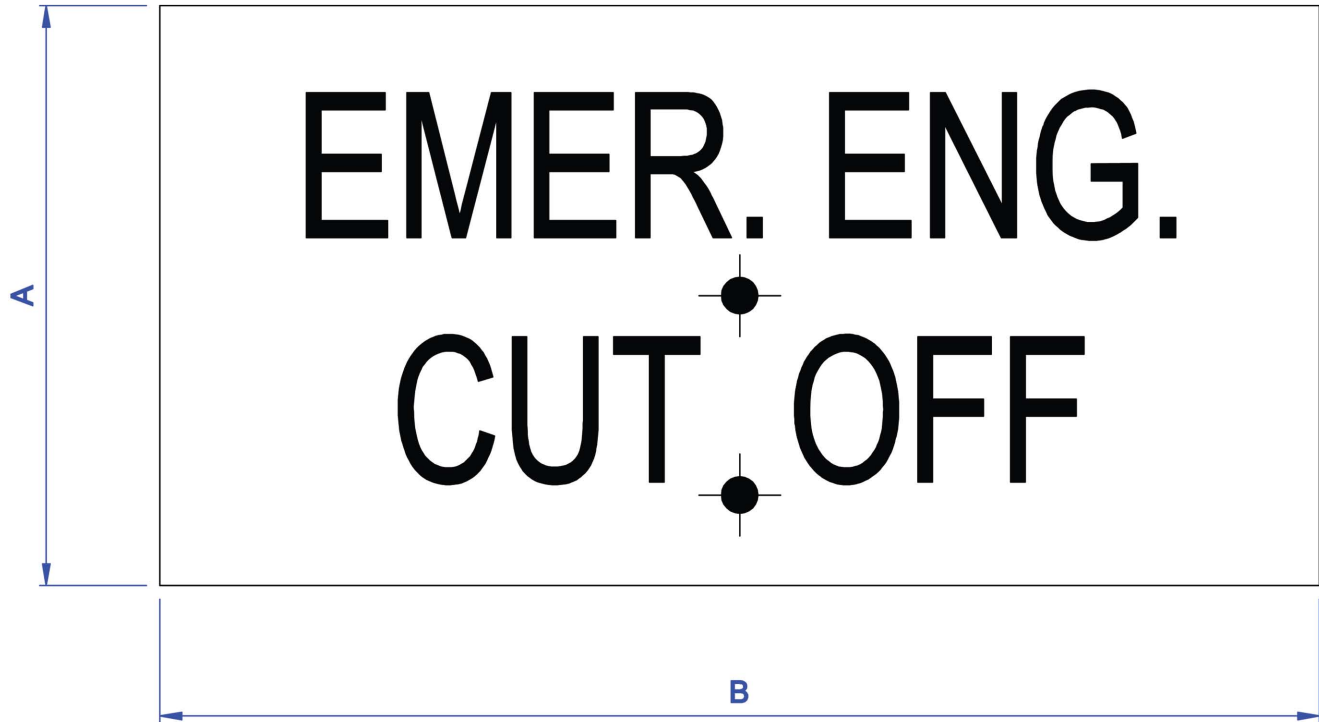
OIL POLLUTION WARNING SIGN

Nabrico Products
www.nabrico-marine.com

1250 Gateway Drive
 Gallatin, Tennessee 37066
 615-442-1300



NABRICO



- NOTES: 1. INFORMATION SHOWN ON BOTH SIDES OF SIGN
2. THIS SIGN CONFORMS TO 46 CFR 32.50-35 (a)

MODEL No.	PART No.	SIZE	A	B	WT. (lbs.)
DF-335	6351	8x16	8"	16"	4

ALUMINUM EMERGENCY ENGINE CUT OFF SIGN

Nabrico Products
www.nabrico-marine.com

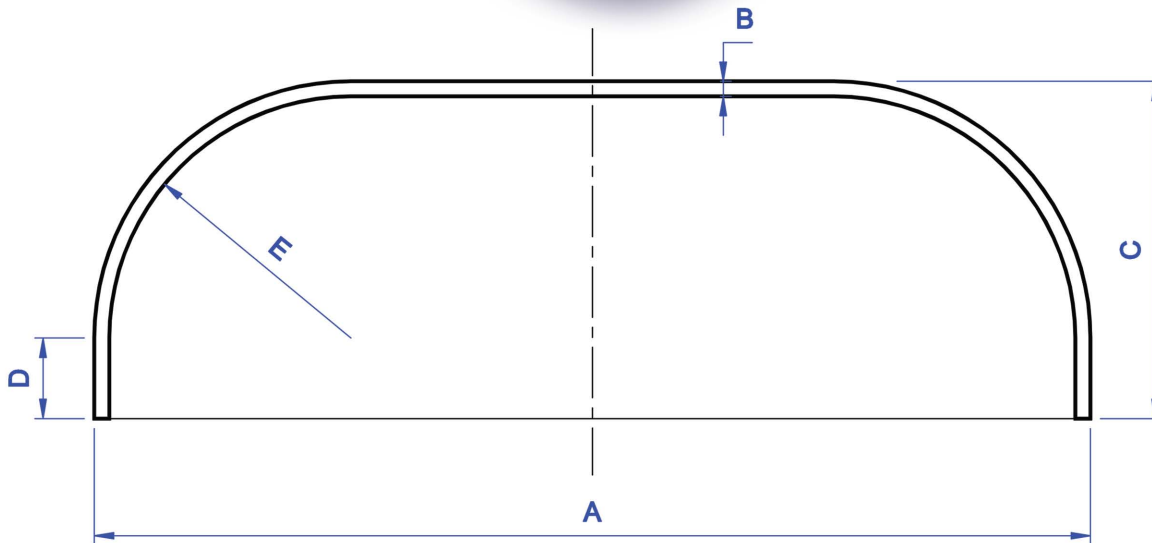
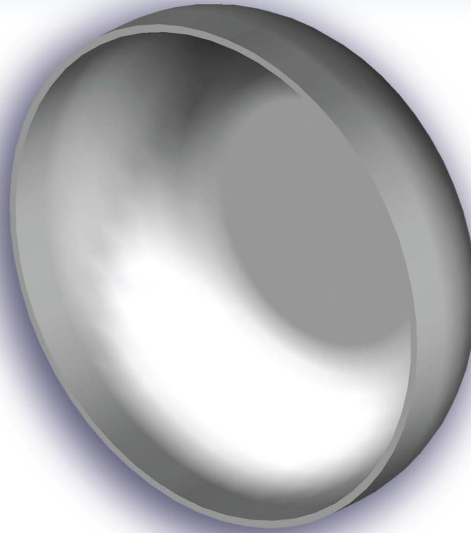
143

1250 Gateway Drive
Gallatin, Tennessee 37066
615-442-1300

The specifications and details described by drawings or text in this literature are subject to change without notice.



NABRICO



MODEL NO.	PART NO.	A	B	C	D	E	WT (LBS.)
SE-22	90042	24 3/4"	3/8"	8 3/8"	2"	6"	95
SE-29	89923	25 1/2"	3/4"	6 3/4"	0"	6"	160
SE-33	90051	36"	3/8"	3"	1 1/2"	1 1/8"	140

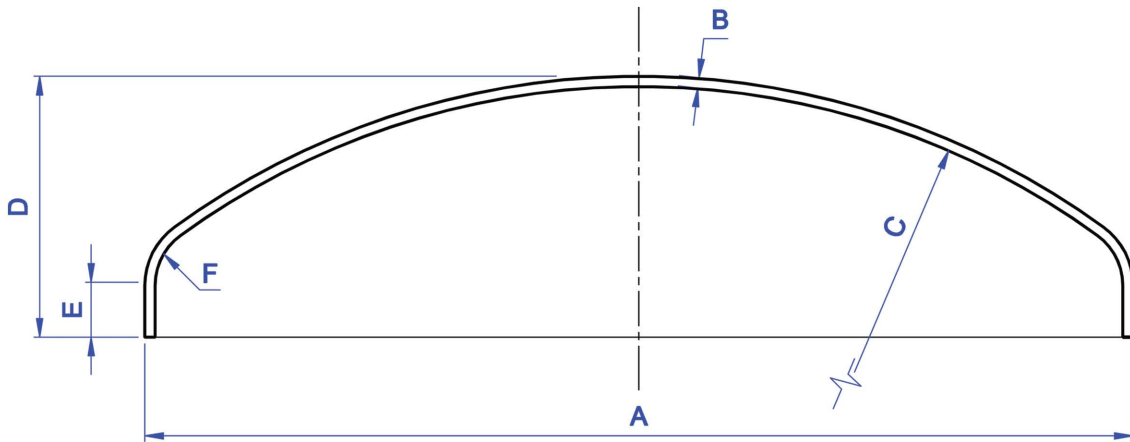
FLANGED HEAD

Nabrico Products
www.nabrico-marine.com

1250 Gateway Drive
 Gallatin, Tennessee 37066
 615-442-1300



NABRICO



MODEL No.	PART No.	A	B	C	D	E	F	WT. (lbs.)
SE-31	90046	36"	3/8"	28.8"	9 1/2"	2"	2 1/4"	155

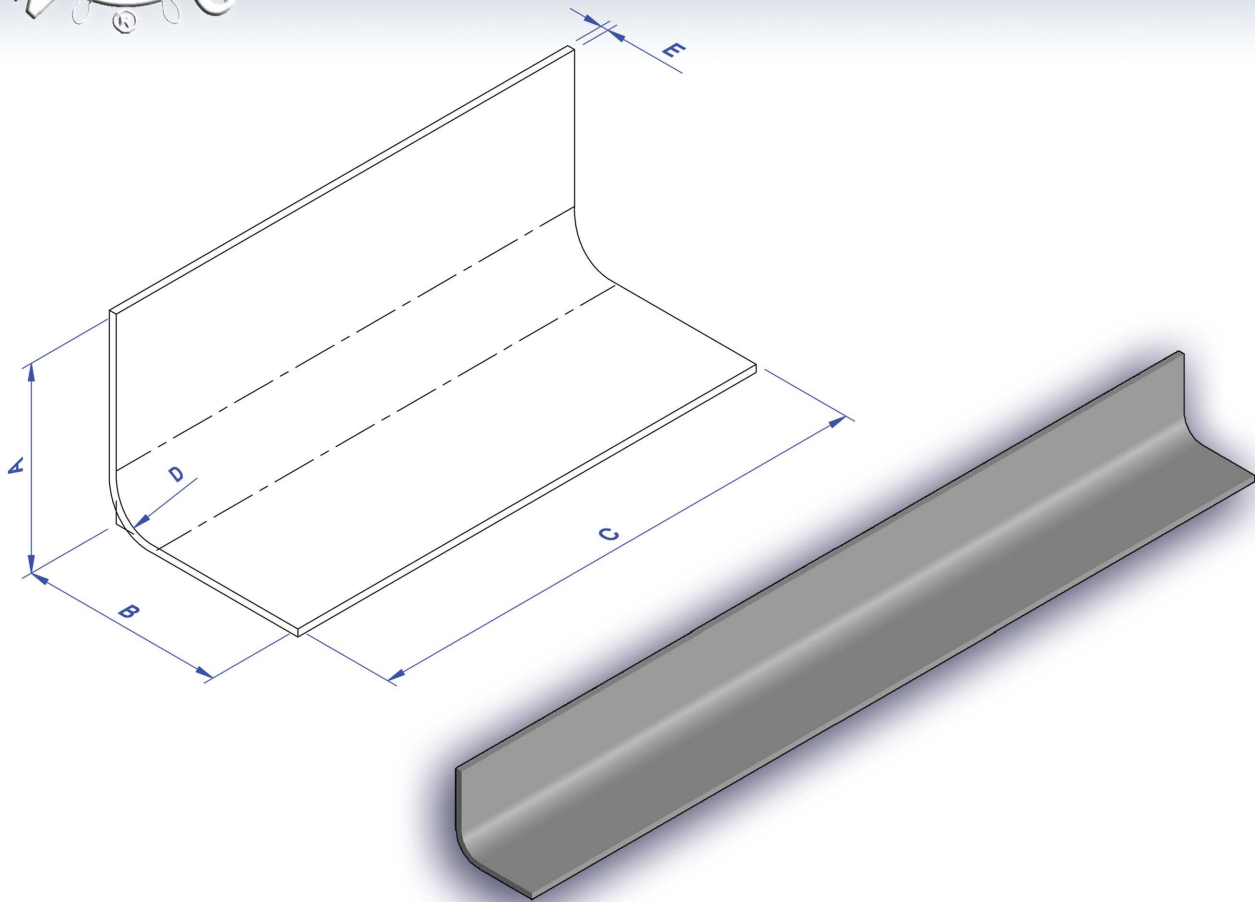
FLANGED AND DISHED HEAD

Nabrico Products
www.nabrico-marine.com

1250 Gateway Drive
 Gallatin, Tennessee 37066
 615-442-1300



NABRICO



MODEL No.	SIZE	A	B	C	D	E	WT. (lbs.)
BP123/440-44	PL 96x3/4x40'-0	4'-2"	4'-2"	40'-0"	12"	3/4"	9801
BP63/440-44	PL 96x3/4x40'-0	4'-1"	4'-1"	40'-0"	6"	3/4"	9801
BP121/240-44	PL 96x1/2x40'-0	4'-2"	4'-2"	40'-0"	12"	1/2"	6534
BP61/240-44	PL 96x1/2x40'-0	4'-1"	4'-1"	40'-0"	6"	1/2"	6534
BP123/440-62	PL 96x3/4x40'-0	6'-2"	2'-2"	40'-0"	12"	3/4"	9801
BP63/440-62	PL 96x3/4x40'-0	6'-1"	2'-1"	40'-0"	6"	3/4"	9801
BP121/240-62	PL 96x1/2x40'-0	6'-2"	2'-2"	40'-0"	12"	1/2"	6534
BP61/240-62	PL 96x1/2x40'-0	6'-1"	2'-1"	40'-0"	6"	1/2"	6534

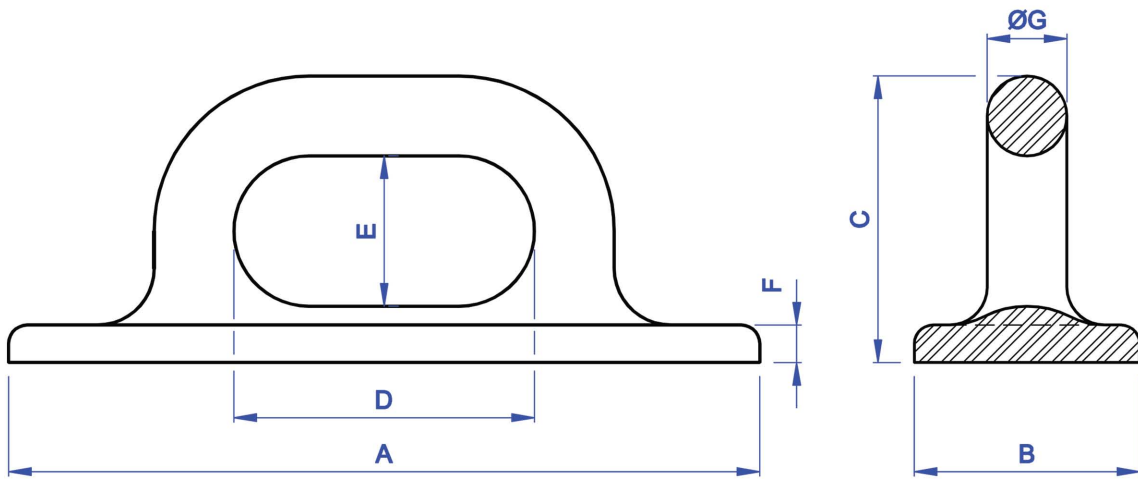
BILGE PLATES

Nabrico Products
www.nabrico-marine.com

1250 Gateway Drive
 Gallatin, Tennessee 37066
 615-442-1300



NABRICO



MODEL No.	PART No.	A	B	C	D	E	F	ØG	WT. (lbs.)
DF-196	16713	20"	6"	7 5/8"	8"	4"	1"	2 1/8"	55

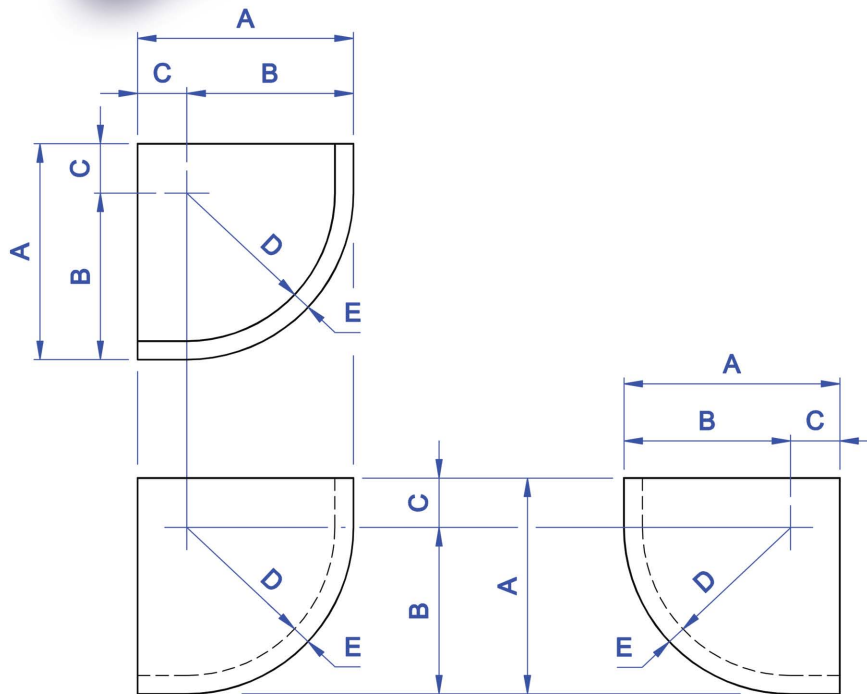
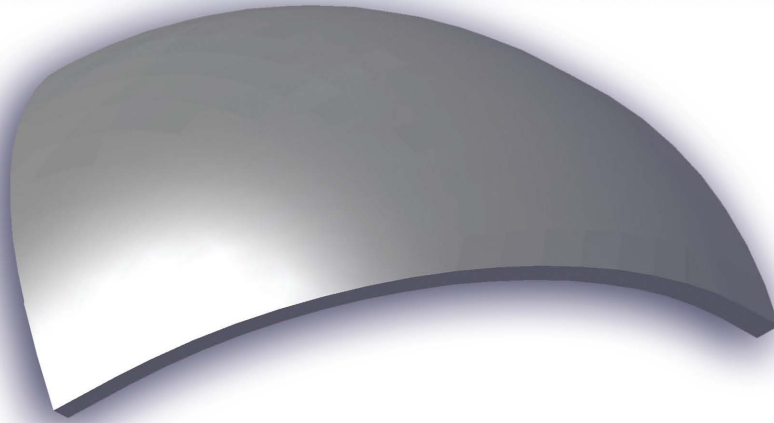
CAST STEEL D-RING

Nabrico Products
www.nabrico-marine.com

1250 Gateway Drive
 Gallatin, Tennessee 37066
 615-442-1300



NABRICO



MODEL No.	PART No.	SIZE	A	B	C	D	E	WT. (lbs.)
DF-486-6	87998	6"	8 3/4"	6 3/4"	2"	6"	3/4"	54
DF-487-12	88005	12"	14 3/4"	12 3/4"	2"	12"	3/4"	167

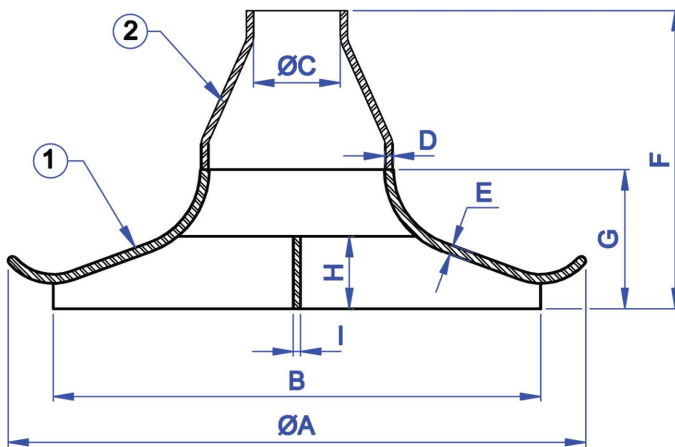
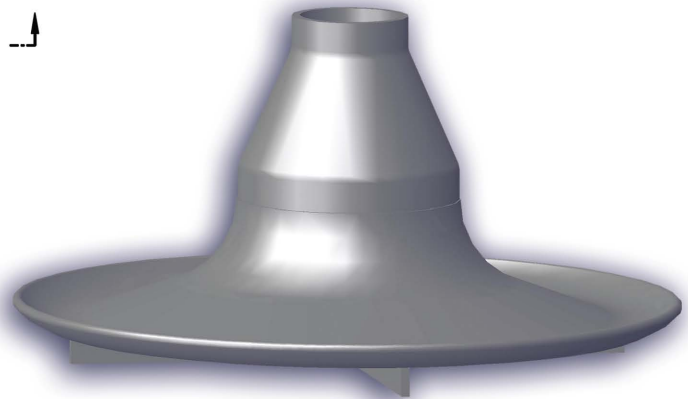
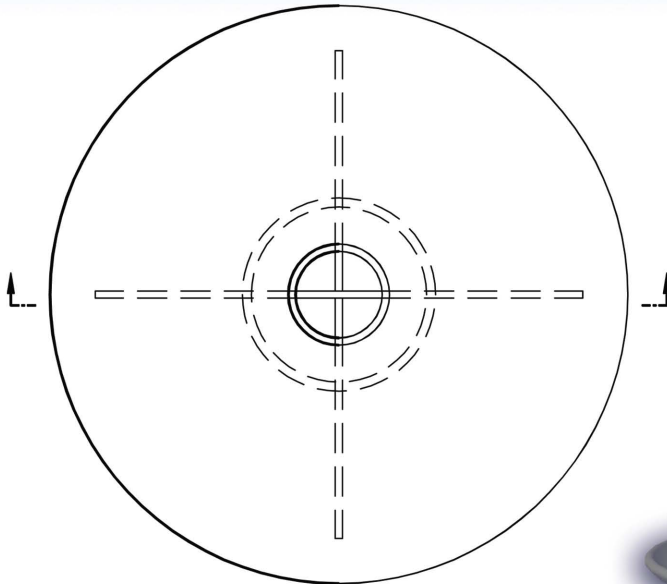
STEEL CORNER PLATES

Nabrico Products
www.nabrico-marine.com

1250 Gateway Drive
 Gallatin, Tennessee 37066
 615-442-1300



NABRICO



MODEL No.	PART No.	SIZE	ØA	B	ØC	D	E	F	G	H	I	WT. (lbs.)
DF-82-3	6790	3"	20"	16 7/8"	3"	1/2"	5/16"	10 5/16"	4 13/16"	2 1/2"	1/4"	40
DF-82-4	6791	4"	20"	16 7/8"	4"	1/2"	5/16"	10 5/16"	4 13/16"	2 1/2"	1/4"	41

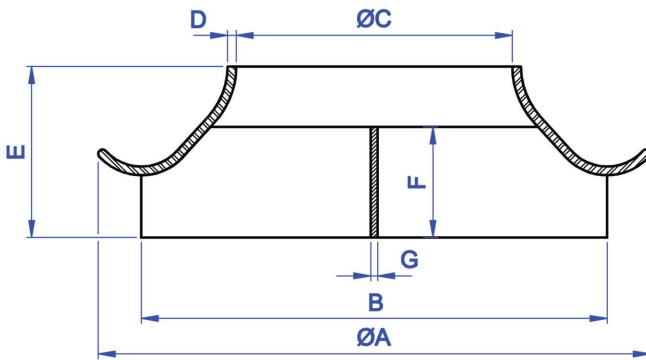
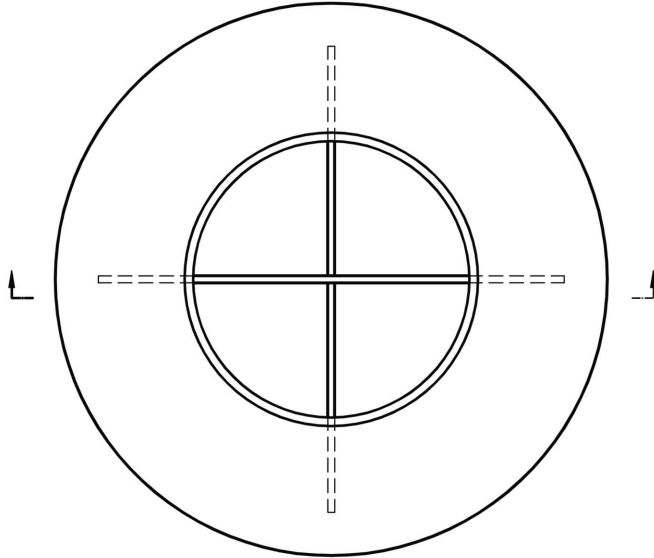
REDUCED STEEL SUCTION BELLMOUTH

Nabrico Products
www.nabrico-marine.com

1250 Gateway Drive
 Gallatin, Tennessee 37066
 615-442-1300



NABRICO



MODEL No.	PART No.	SIZE	ØA	B	ØC	D	E	F	G	WT. (lbs.)
DF-82-6	6793	6"	20"	16 7/8"	6 1/16"	5/16"	4 13/16"	2 1/2"	1/4"	34
DF-82-8	13749	8"	20"	16 7/8"	8 1/16"	5/16"	5 3/8"	3"	1/4"	34
DF-82-10	17191	10"	20"	16 7/8"	10"	5/16"	6 3/16"	4"	1/4"	34

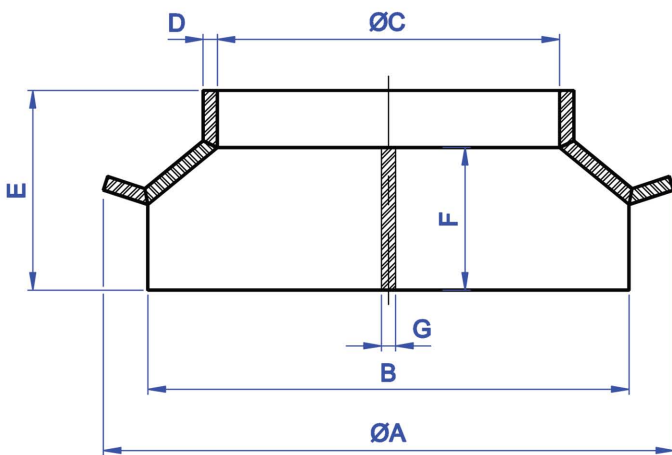
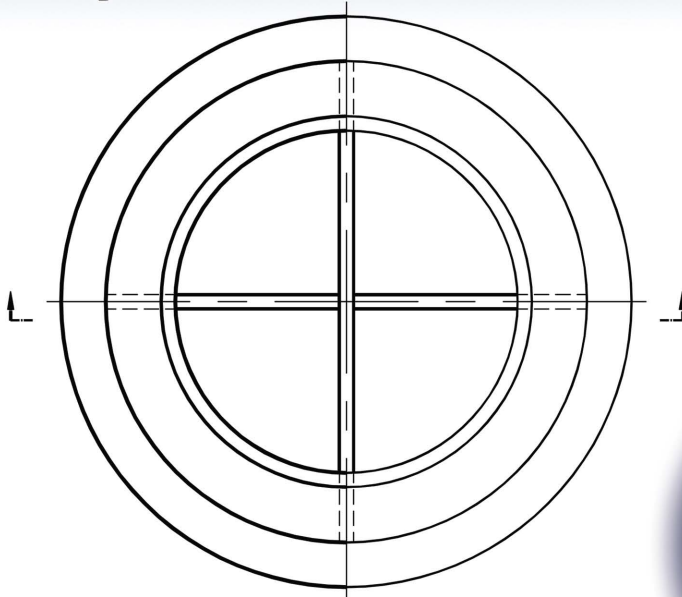
STEEL SUCTION BELLMOUTH

Nabrico Products
www.nabrico-marine.com

1250 Gateway Drive
 Gallatin, Tennessee 37066
 615-442-1300



NABRICO



MODEL No.	PART No.	SIZE	ØA	B	ØC	D	E	F	G	WT. (lbs.)
DF-82-12	17192	12"	20"	16 7/8"	12"	1/2"	7"	5"	1/2"	65
DF-82-14	17199	14"	20"	16 7/8"	13 1/4"	3/8"	8"	6"	1/2"	75

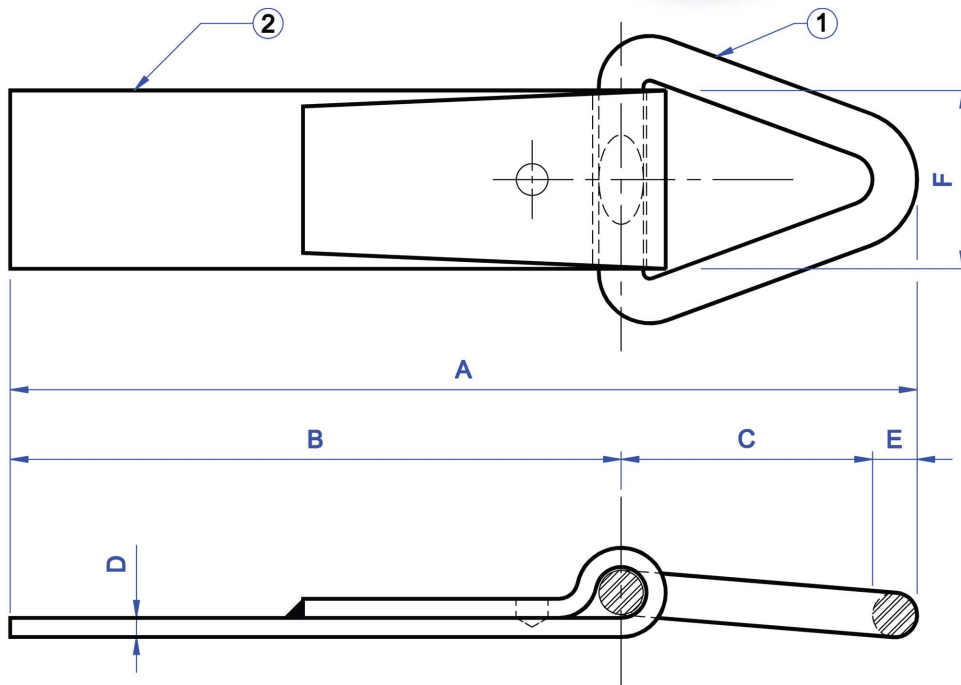
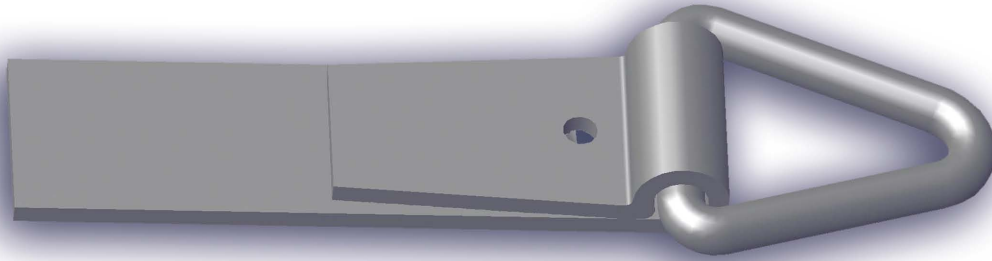
STEEL SUCTION BELLMOUTH

Nabrico Products
www.nabrico-marine.com

1250 Gateway Drive
 Gallatin, Tennessee 37066
 615-442-1300



NABRICO



PIECE No.	DESCRIPTION	PART No.	MATERIAL
1	RATCHET STRAP RING	75736	STEEL
2	RATCHET STRAP PLATE	75744	STEEL

MODEL No.	PART No.	A	B	C	D	E	F	WT. (lbs.)
DF-80	6807	35 5/8"	24"	9 7/8"	3/4"	1 3/4"	7"	83

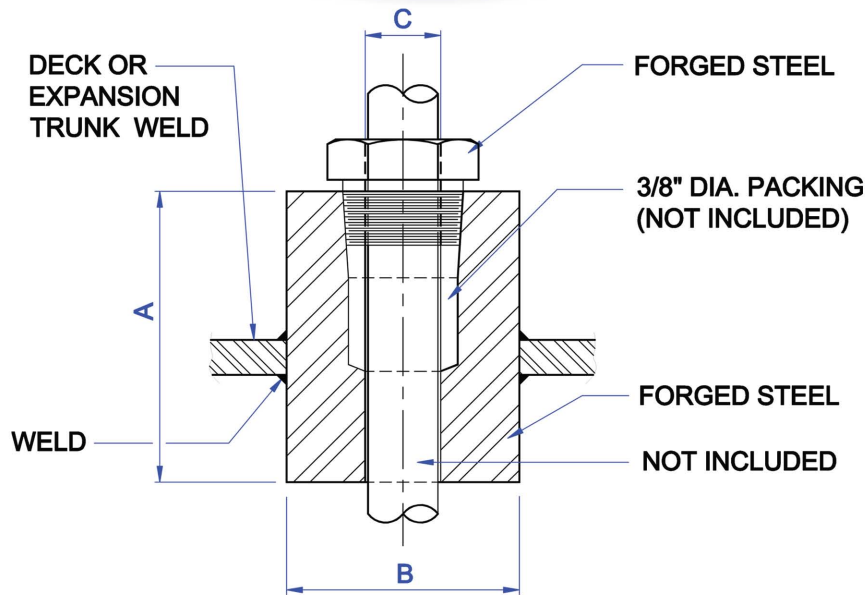
RATCHET STRAP

Nabrico Products
www.nabrico-marine.com

1250 Gateway Drive
 Gallatin, Tennessee 37066
 615-442-1300



NABRICO



MODEL No.	PART No.	SIZE ROD	A	B	C	WT. (lbs.)
DF-437- 3/4	75191	3/4"	3 1/8"	2 1/2"	13/16"	4
DF-437-1	6254	1"	3 1/8"	2 1/2"	1 1/16"	4
DF-437-1 1/4	75175	1 1/4"	3 3/8"	3"	1 5/16"	5
DF-437-1 1/2	75183	1 1/2"	3 3/8"	3"	1 9/16"	5

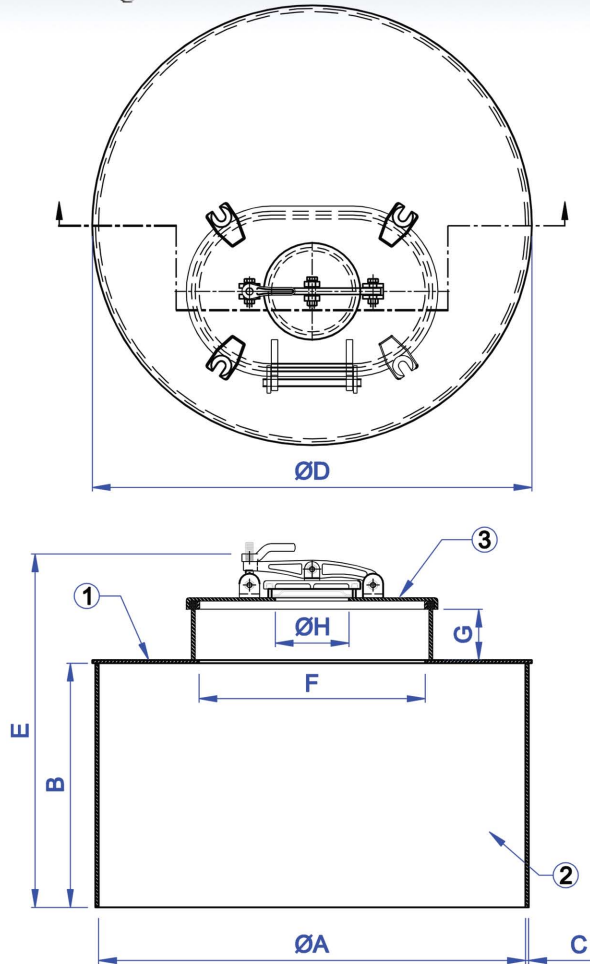
STUFFING GLAND

Nabrico Products
www.nabrico-marine.com

1250 Gateway Drive
 Gallatin, Tennessee 37066
 615-442-1300



NABRICO



PIECE No.	DESCRIPTION	PART No.	MATERIAL
1	COVER PLATE	76163	STEEL
2	COAMING ASSEMBLY	76171	STEEL
3	DF-174 HATCH W/ DF-144 ULLAGE HATCH	8214	STEEL

MODEL No.	PART No.	SIZE	ØA	B	C	ØD	E	F	G	ØH	WT. (lbs.)
DF-449	6238	42x24	42"	24"	5/16"	43 1/4"	34 3/4"	22 1/4"x13 1/4"	5"	7 1/4"	520

1. AVAILABLE IN A VARIETY OF SIZES AND MATERIALS.

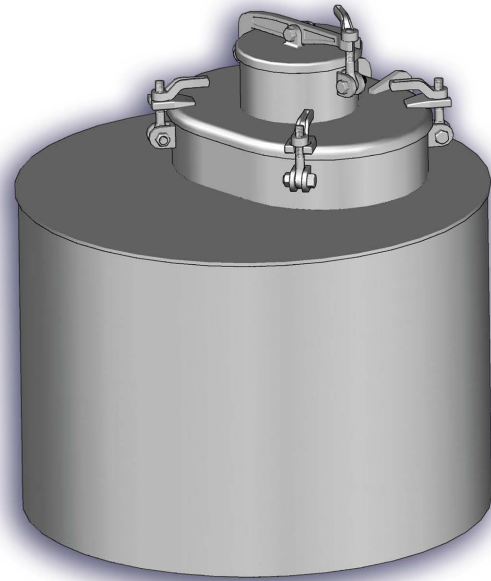
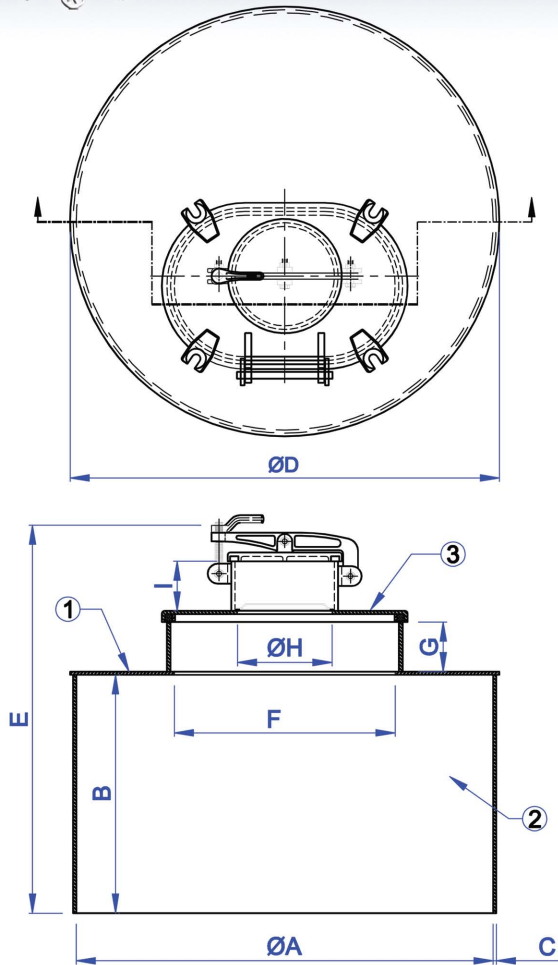
EXPANSION TRUNK

Nabrico Products
www.nabrico-marine.com

1250 Gateway Drive
 Gallatin, Tennessee 37066
 615-442-1300



NABRICO



PIECE No.	DESCRIPTION	PART No.	MATERIAL
1	COVER PLATE	76163	STEEL
2	COAMING ASSEMBLY	76171	STEEL
3	DF-174 HATCH W/ DF-569-5 ULLAGE HATCH	85316	STEEL

MODEL No.	PART No.	SIZE	ØA	B	C	ØD	E	F	G	ØH	I	WT. (lbs.)
DF-470	85308	42x24	42"	24"	5/16"	43 1/4"	39 1/16"	22 1/4"x13 1/4"	5"	9 1/4"	5"	540

1. AVAILABLE IN A VARIETY OF SIZES AND MATERIALS.

EXPANSION TRUNK

Nabrico Products
www.nabrico-marine.com

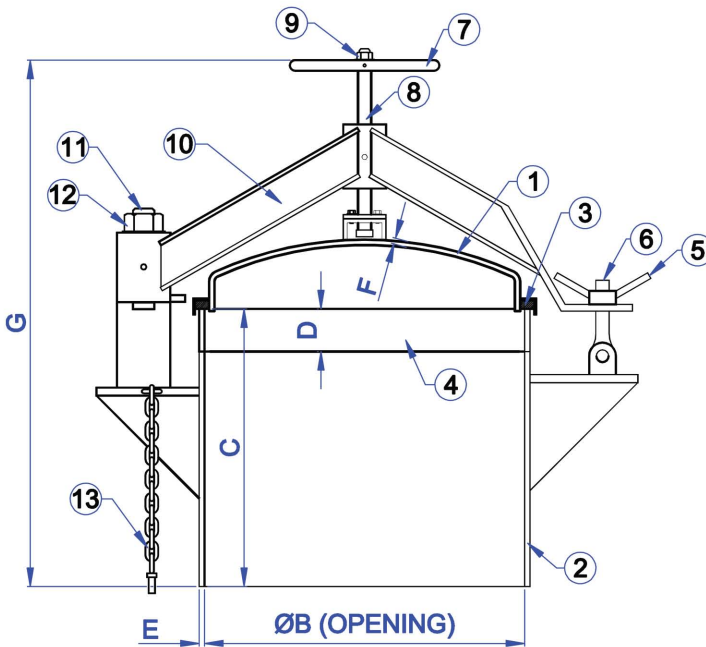
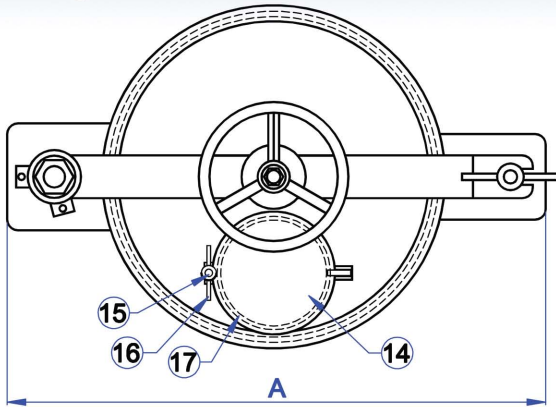
155

1250 Gateway Drive
 Gallatin, Tennessee 37066
 615-442-1300

The specifications and details described by drawings or text in this literature are subject to change without notice.



NABRICO



No.	DESCRIPTION	MATERIAL
1	HATCH COVER ASSEMBLY	STEEL
2	COAMING ASSEMBLY	STEEL
3	HATCH GASKET	NEOPRENE
4	UPPER COAMING RING	STAINLESS
5	WING NUT	BRASS
6	DROP BOLT	STAINLESS
7	HANDWHEEL ASSEMBLY	STEEL
8	CENTER SHAFT	STAINLESS
9	HEX NUT	STAINLESS
10	I-BEAM SWIVEL ARM	STEEL
11	HINGE PIN ASSEMBLY	STAINLESS
12	HEX NUT	STAINLESS
13	KEEPER PIN & CHAIN	GALVANIZED
14	10" ULLAGE HATCH ASSEMBLY	STEEL
15	ULLAGE HATCH DROP BOLT	STAINLESS
16	ULLAGE HATCH WING NUT	BRASS
17	ULLAGE HATCH GASKET	NEOPRENE

The expansion dome is shown with a 10" ullage hatch installed in the hatch cover assembly. This add-on feature has the option to be Stainless Steel or removed entirely from the hatch assembly. Additional add-on features available are a Stainless Steel sight glass with cover, blind flange, or any custom sized ullage.

The dome is also equipped with a stainless steel coaming ring which can be left off or custom sized for specific needs.

MODEL No.	PART No.	SIZE	A	ØB	C	D	E	F	G	WT. (lbs.)
DF-450-3026	21010	30"	51"	30"	26"	4"	1/2"	1/2"	50"	750
DF-450-4224	21033	42"	63"	42"	24"	4"	1/2"	1/2"	49"	950

- 1- ADDITIONAL COAMING HEIGHTS AVAILABLE.
- 2- ADDITIONAL OPENING DIAMETERS AVAILABLE.
- 3- OTHER GASKET MATERIALS AVAILABLE.
- 4- AVAILABLE IN LEFT HAND AND RIGHT HAND MODELS.

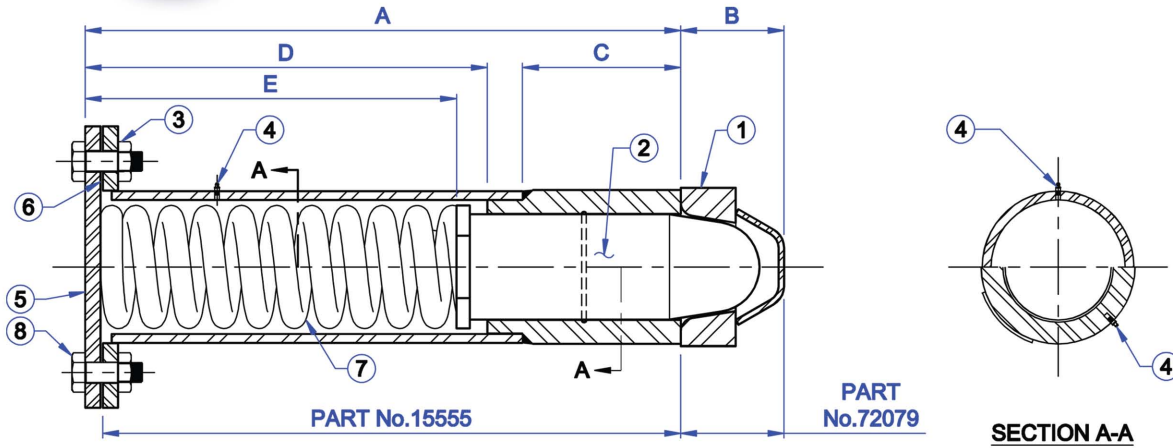
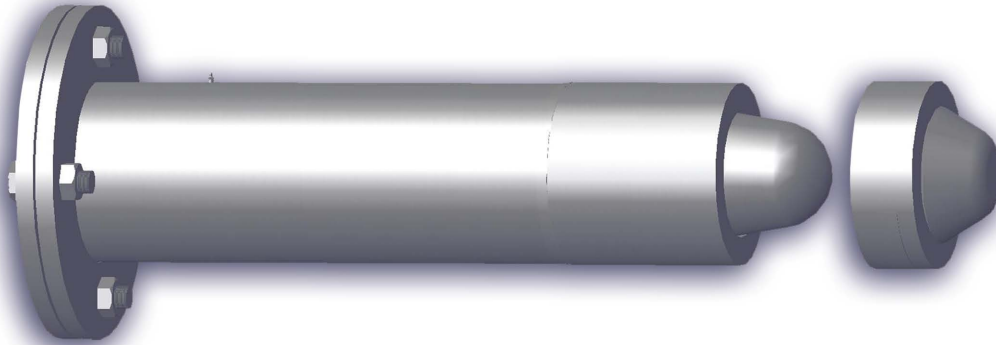
RAISED WATERTIGHT EXPANSION DOME

Nabrico Products
www.nabrico-marine.com

1250 Gateway Drive
 Gallatin, Tennessee 37066
 615-442-1300



NABRICO



PIECE No.	DESCRIPTION	PART No.	MATERIAL
1	LOCKING PIN SOCKET ASSEMBLY	72079	STEEL
2	LOCKING PIN ASSEMBLY	72109	STEEL
3	1 1/8" DIA. HEAVY HEX NUT	15989	STEEL
4	GREASE FITTING	9873	STAINLESS STEEL
5	SPRING KEEPER PLATE	72176	STEEL
6	GASKET	75140	NEOPRENE
7	INTERLOCKING SPRING	7064	STEEL
8	1 1/8" DIA. X 3 1/4" HEAVY HEX BOLT	72222	STEEL

MODEL No.	PART No.	A	B	C	D	E	WT. (lbs.)
DF-134	15555	33 7/8"	5 7/8"	9"	22 7/8"	21 1/8"	470

DF-134 PIN ASSEMBLY #15555 AND SOCKET ASSEMBLY #72079 ARE ORDERED SEPARATELY

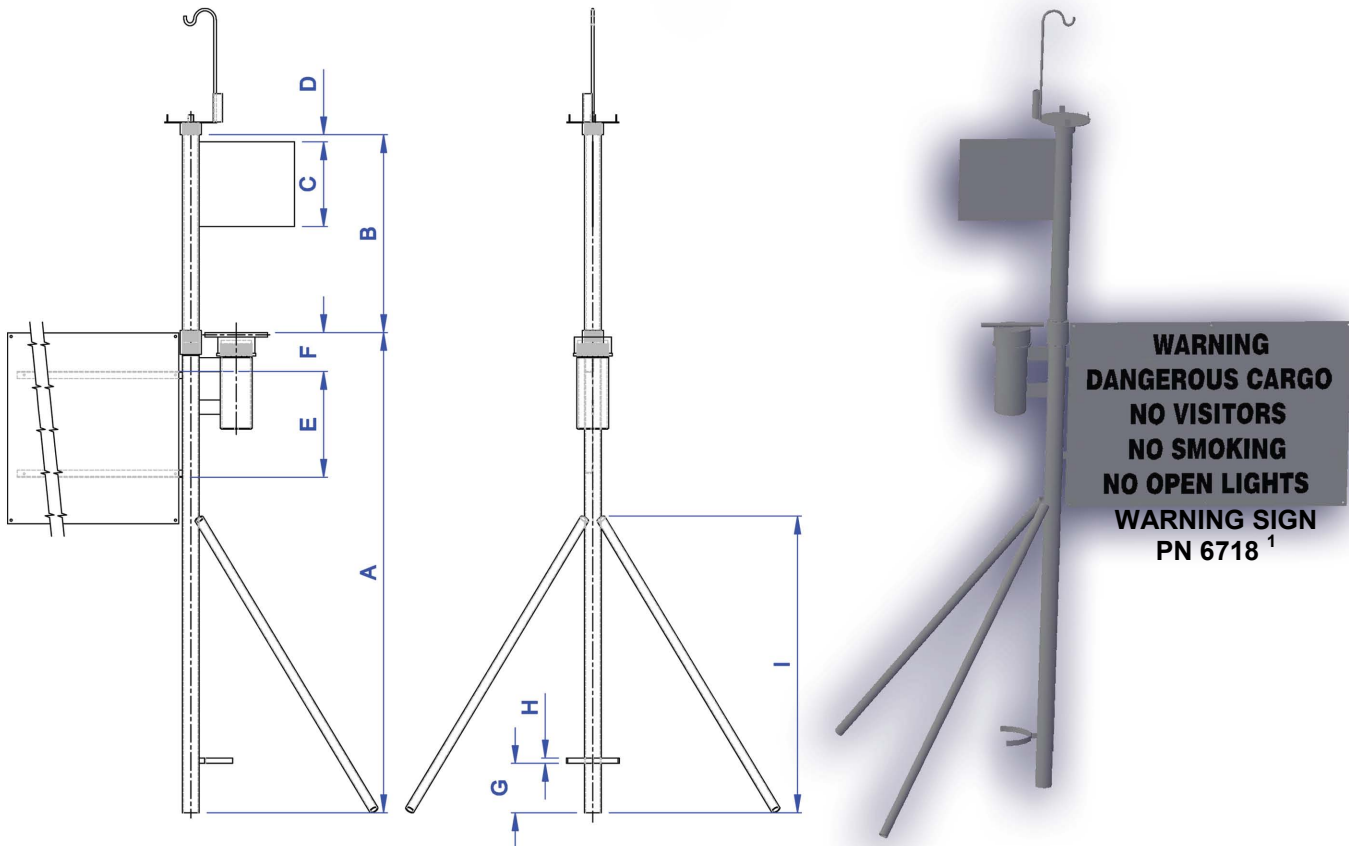
INTERLOCKING PIN

Nabrico Products
www.nabrico-marine.com

1250 Gateway Drive
 Gallatin, Tennessee 37066
 615-442-1300



NABRICO



**WARNING
DANGEROUS CARGO
NO VISITORS
NO SMOKING
NO OPEN LIGHTS
WARNING SIGN
PN 6718¹**

MODEL No.	PART No.	A	B	C	D	E	F	G	H	I	WT. (lbs.)
DF-84	6785	68	28	12	1	15	5 1/2"	7	3/4"	42	100

1- WARNING SIGN PN 6718 PURCHASED SEPARATELY FROM FLAG POLE.

FLAG POLE

Nabrico Products
www.nabrico-marine.com

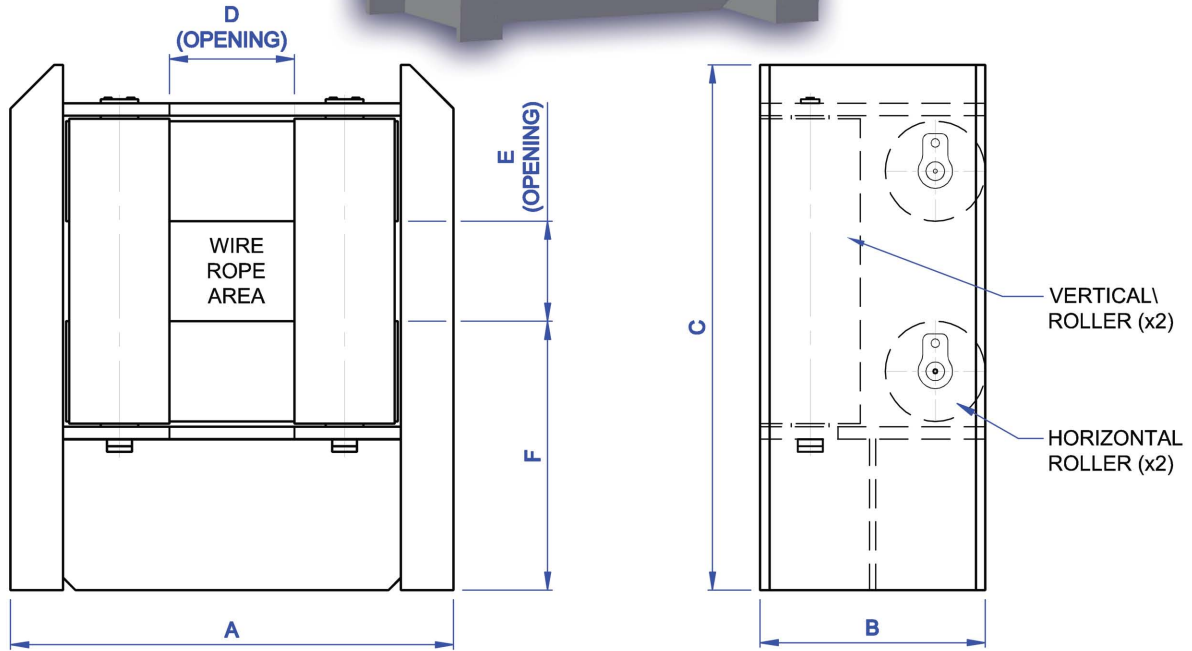
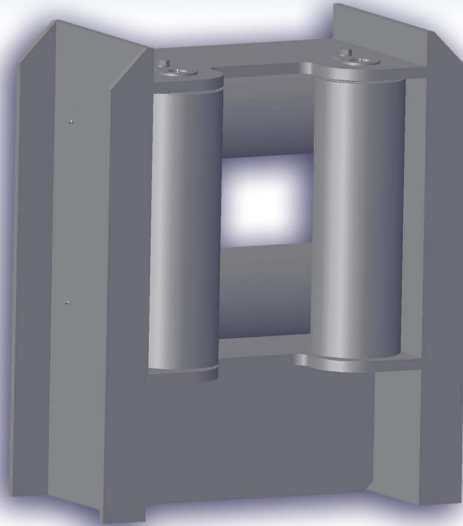
158

1250 Gateway Drive
Gallatin, Tennessee 37066
615-442-1300

The specifications and details described by drawings or text in this literature are subject to change without notice.



NABRICO



MODEL No.	PART No.	SIZE	A	B	C	D	E	F	WT. (lbs.)
DF-462	84644	10x8	35 3/8"	18"	42"	10"	8"	21 1/2"	1850
DF-462	84640	12x12	37"	18"	46"	12"	12"	21 1/2"	1900

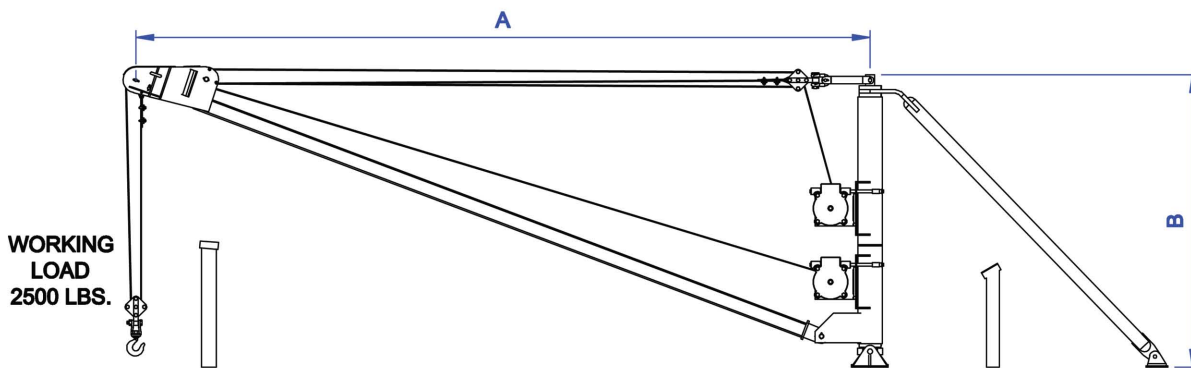
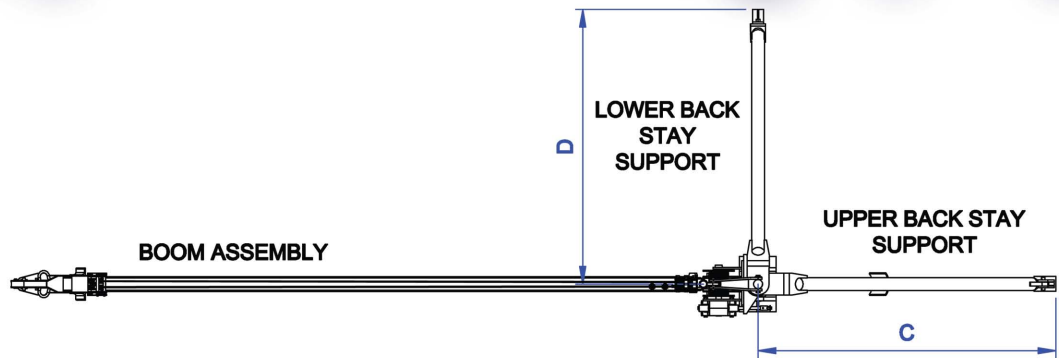
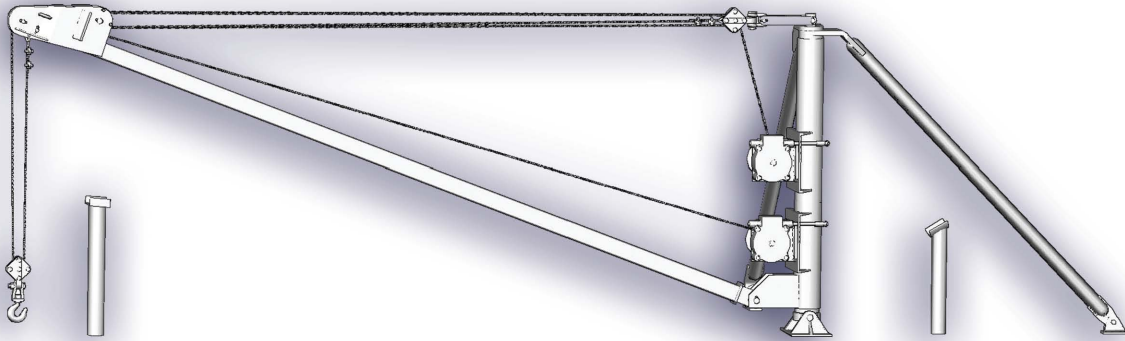
FAIRLEAD ROLLER

Nabrico Products
www.nabrico-marine.com

1250 Gateway Drive
 Gallatin, Tennessee 37066
 615-442-1300



NABRICO



MODEL No.	PART No.	A	B	C	D	WT. (lbs.)
DF-126	79650	16' 7" (MAX) 5' 6" (MIN)	6' 7 5/16"	6' 8 3/4"	6' 2 1/2"	1100

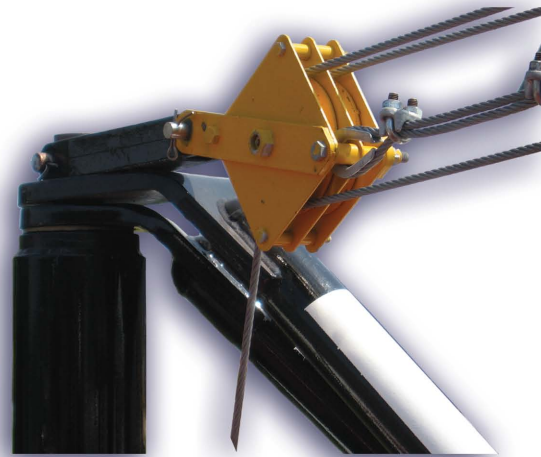
DF-126 BARGE CRANE

Nabrico Products
www.nabrico-marine.com

1250 Gateway Drive
 Gallatin, Tennessee 37066
 615-442-1300



NABRICO



FEATURES

- 2500 pound non-shock lifting capacity at maximum radius of 16'-7". The barge crane operates equally as well at 5'-6" minimum radius.
- 270° swing capacity resulting in maximum flexibility for lifting and positioning equipment.
- One man boom operation leaving other personnel free to position and secure load. Reduces time required for such tasks as hose connecting, removing pumping equipment for repairs and loading oil drums or miscellaneous equipment.
- Low silhouette. By removing backleg pins, the crane king post folds down to a height of 3'-10" to minimize low bridge problems.
- Quality tested to 150% of non-shock working load.

DF-126 BARGE CRANE

Nabrico Products
www.nabrico-marine.com

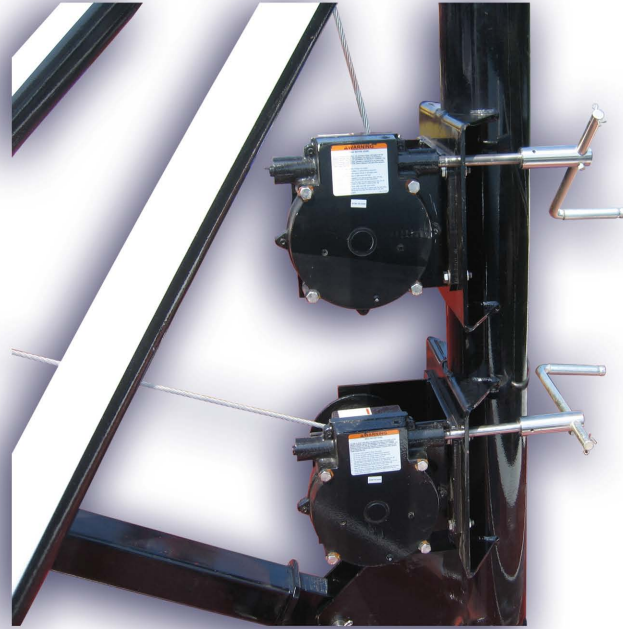
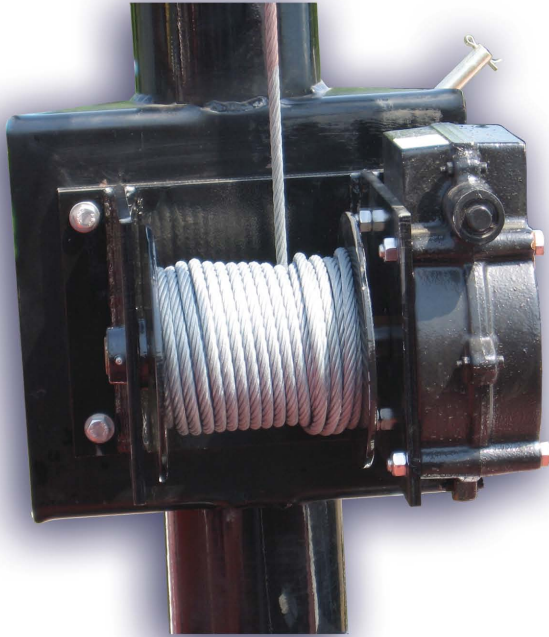
161

1250 Gateway Drive
Gallatin, Tennessee 37066
615-442-1300

The specifications and details described by drawings or text in this literature are subject to change without notice.



NABRICO



SPECIFICATIONS

Boom and king post assembly
 Plate.....ASTM A36
 Square Tubing.....ASTM A36
 Sheaves.....Cast Iron
 Bushings.....Bronze
 Pins.....304SS
 Pipe.....ASTM A53

WINCHES

- Hand operated with adjustable handle.
- 31:1 gear ratio for winching.
- Self-locking worm gear eliminating the need for a locking dog or brake.
- Enclosed gearbox to provide continuous gear lubrication.

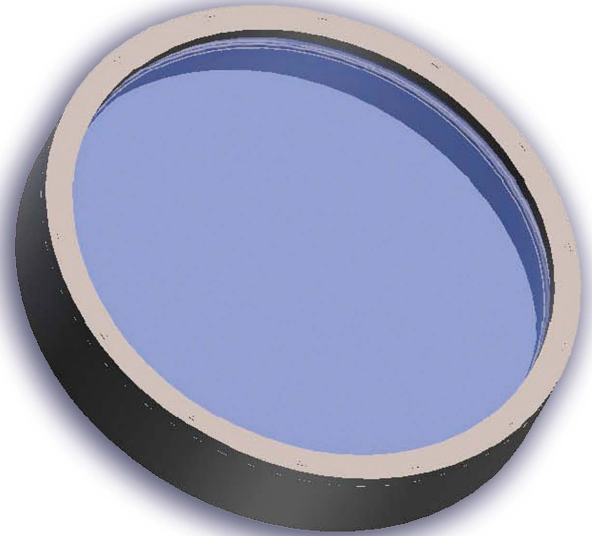
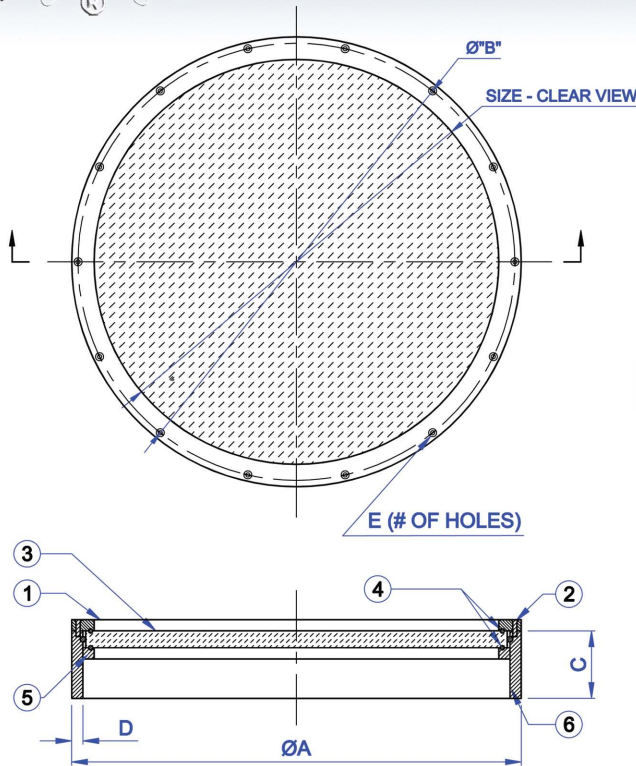
DF-126 BARGE CRANE

Nabrico Products
www.nabrico-marine.com

1250 Gateway Drive
 Gallatin, Tennessee 37066
 615-442-1300



NABRICO



PIECE No.	DESCRIPTION	BRASS LIGHT	STEEL LIGHT	ALUMINUM LIGHT
1	RETAINING RING	BRASS	BRASS	ALUMINUM
2	SCREW	STAINLESS		
3	GLASS	GLASS		
4	GASKET	NEOPRENE		
5	GLASS TOP	BRASS	STEEL	ALUMINUM
6	COAMING	BRASS	STEEL	ALUMINUM

MODEL No.	SIZE	ØA	ØB	C	B	E	WT. (lbs.)
400	8"	10"	9 7/16"	3"	1/2"	10	24
400	10"	12"	11 7/16"	3"	1/2"	10	30
400	12"	14"	13 7/16"	3"	1/2"	12	37
400	14"	16"	15 7/16"	3"	1/2"	12	44
400	16"	18"	17 7/16"	3"	1/2"	12	52
400	18"	20"	19 7/16"	3"	1/2"	14	60

WELD IN FIXED LIGHT

Nabrico Products
www.nabrico-marine.com

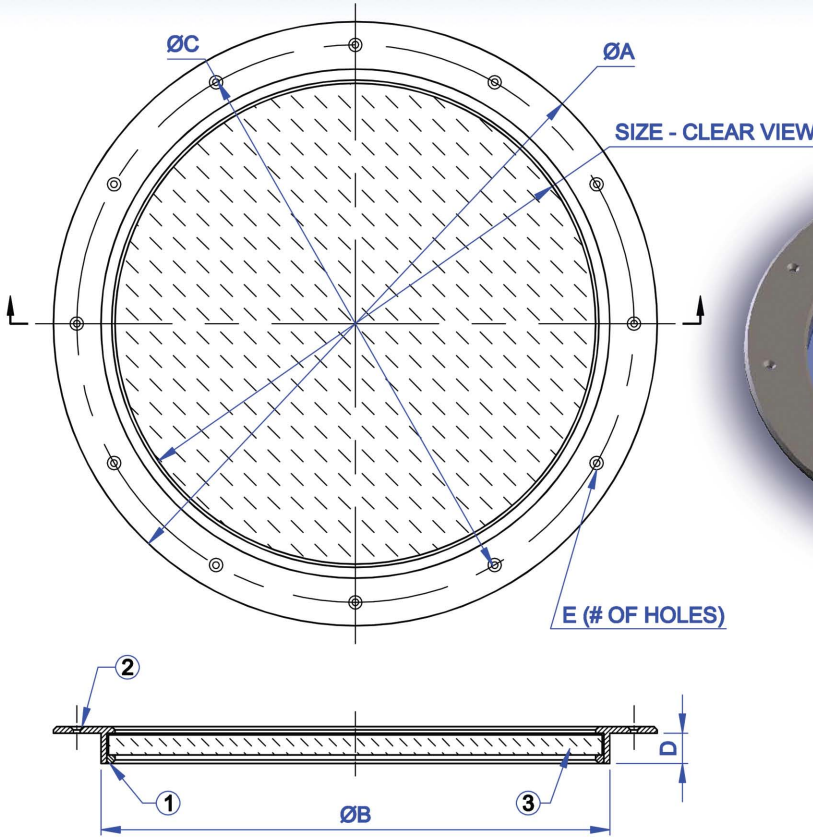
163

1250 Gateway Drive
 Gallatin, Tennessee 37066
 615-442-1300

The specifications and details described by drawings or text in this literature are subject to change without notice.



NABRICO



PIECE No.	DESCRIPTION	BRASS LIGHT	STEEL LIGHT	ALUMINUM LIGHT
1	FRAME	BRASS	STEEL	ALUMINUM
2	RETAINING RING	BRASS	BRASS	ALUMINUM
3	GLASS	GLASS		

MODEL No.	SIZE	ØA	ØB	ØC	D	E	WT. (lbs.)
500	4"	6 5/8"	4 13/16"	5 7/8"	11/16"	6	3
500	6"	8 1/2"	6 13/16"	7 1/2"	13/16"	6	5
500	7"	9 3/4"	7 13/16"	8 7/8"	13/16"	6	6
500	8"	11"	9 1/16"	10 3/8"	7/8"	8	8
500	10"	13 1/4"	11 1/16"	12 1/4"	1"	8	12
500	12"	15 1/4"	13 1/16"	14 1/4"	1 1/8"	12	17
500	14"	18 1/4"	15 1/16"	17"	1 1/8"	12	24
500	16"	20 5/8"	17 1/16"	18 7/8"	1 1/8"	12	30
500	18"	22 5/8"	19 1/16"	20 7/8"	1 1/8"	12	35

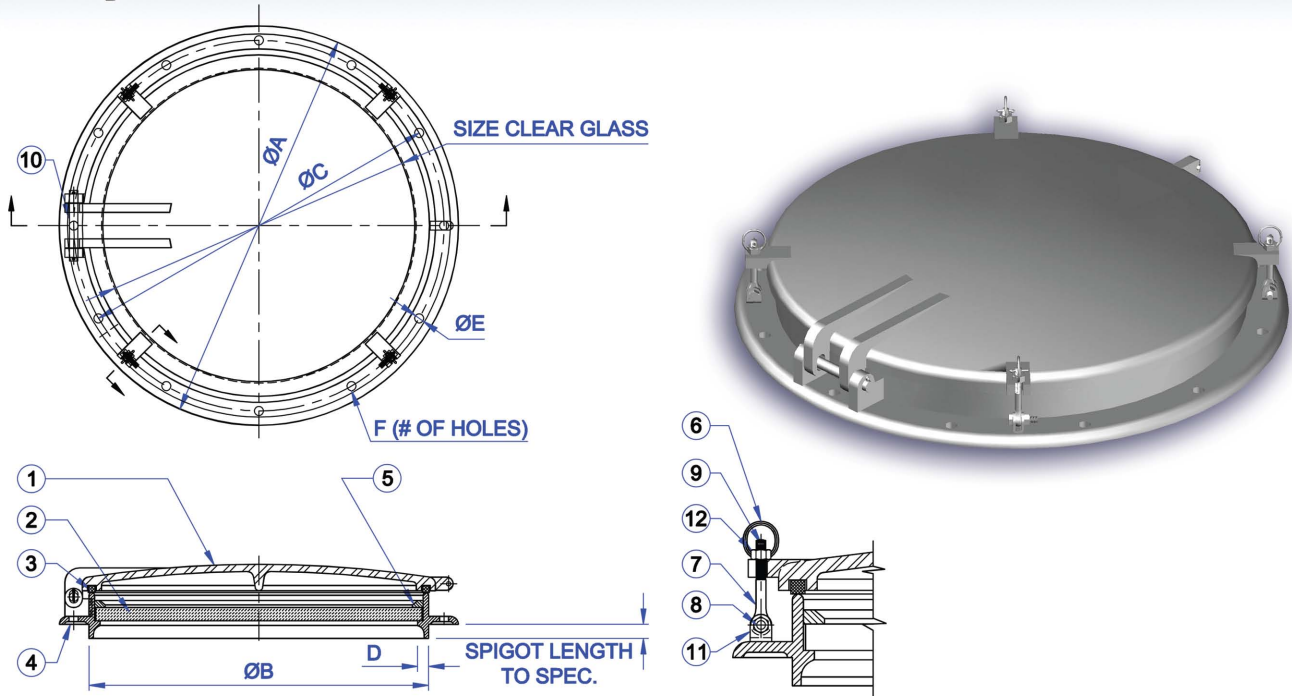
BOLT-ON FIXED LIGHT

Nabrico Products
www.nabrico-marine.com

1250 Gateway Drive
 Gallatin, Tennessee 37066
 615-442-1300



NABRICO



PIECE No.	DESCRIPTION	BRASS LIGHT	STEEL LIGHT	ALUMINUM LIGHT
1	COVER		ALUMINUM	
2	GLASS		GLASS	
3	GASKET		NEOPRENE	
4	FRAME	BRASS	STEEL	ALUMINUM
5	RETAINING RING	BRASS	STEEL	ALUMINUM
6	BELL NUT		BRASS	
7	DROP BOLT	BRASS	STEEL	ALUMINUM
8	BOLT		STAINLESS	
9	COTTER PIN		STAINLESS	
10	HINGE PIN		STAINLESS	
11	DROP BOLT LUG		STAINLESS	
12	HEX NUT		STAINLESS	

MODEL No.	SIZE	ØA	ØB	ØC	D	ØE	F	WT. (lbs.)
600	8"	11 3/8"	9"	10 1/4"	5/8"	25/64"	8	25
600	10"	13 5/8"	11"	12 3/8"	5/8"	33/64"	8	32
600	12"	15 7/8"	13 1/8"	14 5/8"	5/8"	33/64"	12	40
600	14"	18 7/8"	15 1/4"	16 5/8"	5/8"	33/64"	12	48
600	16"	20 5/8"	17 1/4"	18 7/8"	5/8"	33/64"	12	57
600	18"	22 5/8"	19 1/4"	21"	5/8"	33/64"	12	67

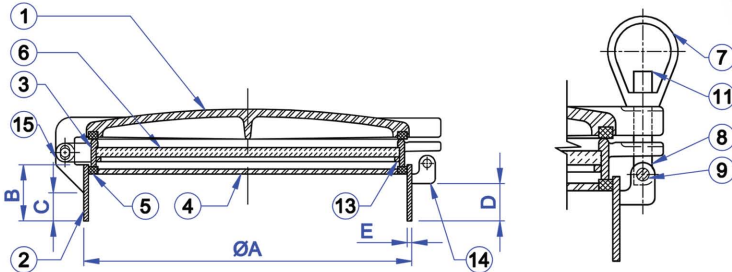
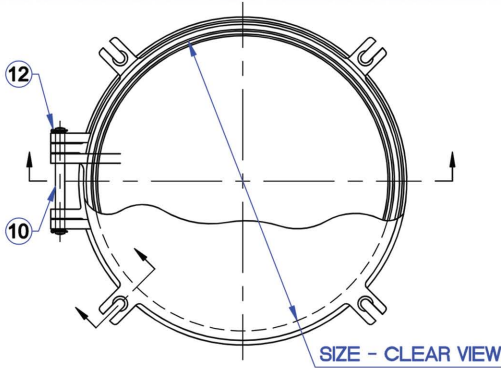
BOLT-ON FIXED LIGHT W/COVER

Nabrico Products
www.nabrico-marine.com

1250 Gateway Drive
 Gallatin, Tennessee 37066
 615-442-1300



NABRICO



PIECE No.	DESCRIPTION	BRASS LIGHT	STEEL LIGHT	ALUMINUM LIGHT
1	COVER	ALUMINUM		
2	SPIGOT FRAME	BRASS	STEEL	ALUMINUM
3	GLASS FRAME	BRASS	STEEL	ALUMINUM
4	REMOVABLE SCREEN	BRASS		
5	GASKET	NEOPRENE		
6	GLASS	GLASS		
7	BELL NUT	BRASS		
8	SCREW	STAINLESS		
9	GROOVE PIN	STAINLESS		
10	HINGE PIN	STAINLESS		
11	DROP BOLT	STAINLESS		
12	COTTER PIN	STAINLESS		
13	RETAINING RING	BRASS	BRASS	ALUMINUM
14	DROP BOLT LUG	BRASS	STEEL	ALUMINUM
15	HINGE PAD	BRASS	STEEL	ALUMINUM

MODEL No.	SIZE	ØA	B	C	D	E	WT. (lbs.)
700	8"	9 1/2"	3"	1 1/2"	2"	1/4"	28
700	10"	11 1/2"	3"	1 1/2"	2"	1/4"	35
700	12"	13 1/2"	3"	1 1/2"	2"	1/4"	44
700	14"	15 1/2"	3"	1 1/2"	2"	1/4"	54
700	16"	17 1/2"	3"	1 1/2"	2"	1/4"	63
700	18"	19 1/2"	3"	1 1/2"	2"	1/4"	73

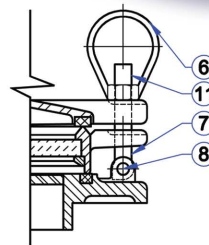
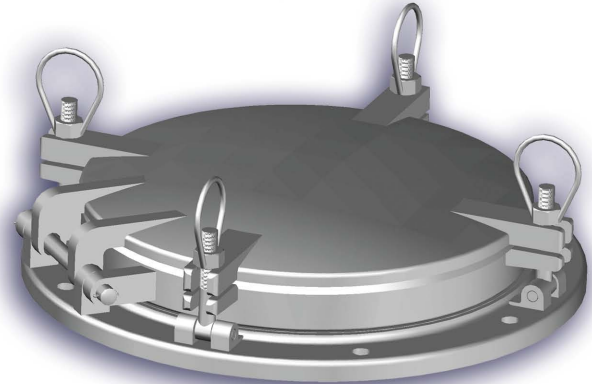
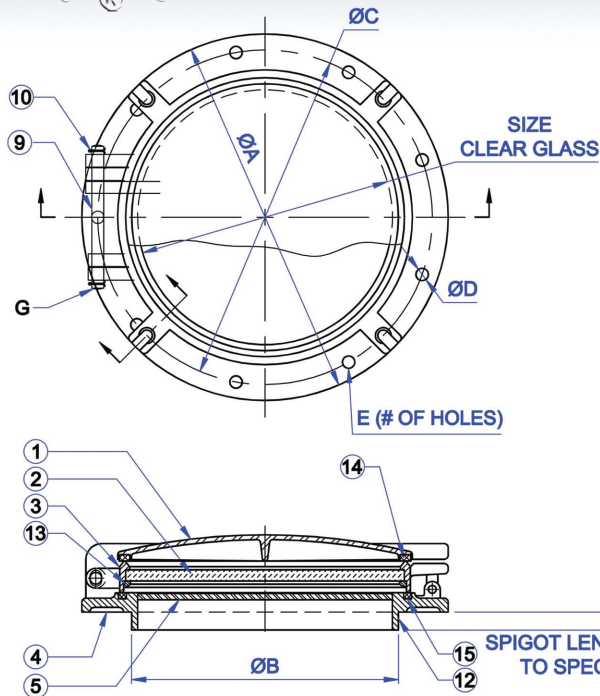
WELD IN PORTLIGHT

Nabrico Products
www.nabrico-marine.com

1250 Gateway Drive
 Gallatin, Tennessee 37066
 615-442-1300



NABRICO



PIECE No.	DESCRIPTION	BRASS LIGHT	STEEL LIGHT	ALUMINUM LIGHT
1	COVER	ALUMINUM		
2	GLASS	GLASS		
3	GLASS FRAME	BRASS	STEEL	ALUMINUM
4	SPIGOT FRAME	BRASS	STEEL	ALUMINUM
5	WIRE SCREEN	BRASS		
6	BELL NUT	BRASS	STEEL	ALUMINUM
7	SCREW	BRASS	STEEL	ALUMINUM
8	ROLL PIN	STAINLESS		
9	HINGE PIN	STAINLESS		
10	COTTER PIN	STAINLESS		
11	DROP BOLT	BRASS	STEEL	STAINLESS
12	SCREEN FRAME	BRASS	STAINLESS	STAINLESS
13	BEZEL RING	BRASS	STEEL	ALUMINUM
14	GASKET	NEOPRENE		
15	GASKET	NEOPRENE		

MODEL No.	SIZE	$\varnothing A$	$\varnothing B$	$\varnothing C$	$\varnothing D$	E	WT. (lbs.)
800	8"	11 1/2"	8 3/8"	10 1/2"	25/64"	9	18
800	10"	14 1/4"	10 3/8"	12 3/4"	33/64"	12	24
800	12"	16"	12 3/8"	14 3/4"	33/64"	12	31
800	14"	18"	14 3/8"	17"	33/64"	12	38
800	16"	20 3/8"	16 1/2"	18 7/8"	33/64"	12	45
800	18"	22 3/4"	18 1/2"	21 1/8"	33/64"	12	52

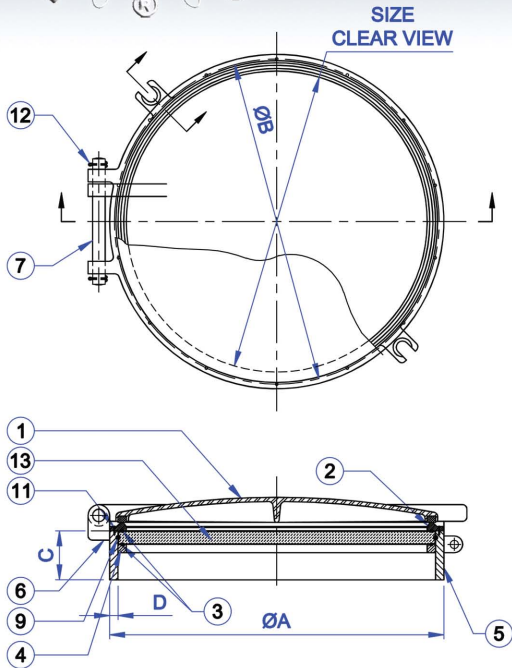
BOLT ON PORTLIGHT

Nabrico Products
www.nabrico-marine.com

1250 Gateway Drive
 Gallatin, Tennessee 37066
 615-442-1300



NABRICO



PIECE No.	DESCRIPTION	BRASS LIGHT	STEEL LIGHT	ALUMINUM LIGHT
1	COVER		ALUMINUM	
2	RETAINING RING		BRASS	
3	GASKET		NEOPRENE	
4	GLASS TOP	BRASS	STEEL	ALUMINUM
5	COAMING	BRASS	STEEL	ALUMINUM
6	HINGE PAD	BRASS	STEEL	ALUMINUM
7	HINGE PIN		STAINLESS	
8	DROP BOLT LUG		STEEL	
9	GASKET		NEOPRENE	
10	GASKET		NEOPRENE	
11	SCREW		STAINLESS	
12	COTTER PIN		STAINLESS	
13	GLASS		GLASS	
14	BELL NUT		BRASS	
15	DROP BOLT		STAINLESS	
16	SCREW		STAINLESS	
17	GROOVE PIN		STAINLESS	

MODEL No.	SIZE	ØA	ØB	C	D	WT. (lbs.)
900	8"	10"	9 7/16"	3"	1/2"	28
900	10"	12"	11 7/16"	3"	1/2"	35
900	12"	14"	13 7/16"	3"	1/2"	43
900	14"	16"	15 7/16"	3"	1/2"	51
900	16"	18"	17 7/16"	3"	1/2"	59
900	18"	20"	19 7/16"	3"	1/2"	68

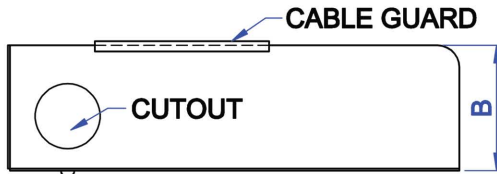
WELD – IN FIXED LIGHT W/COVER

Nabrico Products
www.nabrico-marine.com

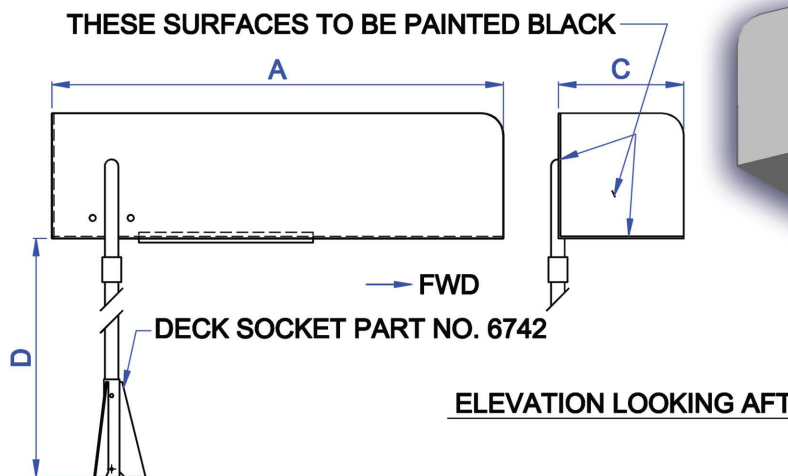
1250 Gateway Drive
 Gallatin, Tennessee 37066
 615-442-1300



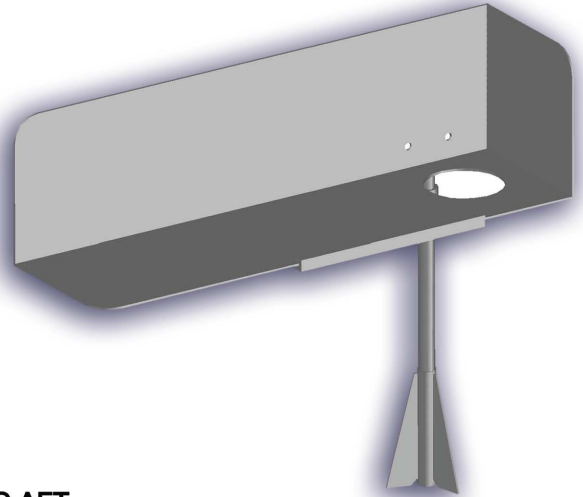
NABRICO



PLAN VIEW



ELEVATION LOOKING AFT



ELEVATION LOOKING OUTBOARD

(PORT LIGHT SCREEN SHOWN PART NO. 17671)

(STB'D LIGHT SCREEN OPPOSITE PART NO. 6416)

NOTE: THIS SCREEN IS SIZED FOR PERKO FIG. 1150 SIZE 2 NAVIGATION LIGHT

PART No.	DESCRIPTION	WT. (lbs.)
17671	PORT LIGHT STAND	60
6416	STB'D LIGHT STAND	60
6742	DECK SOCKET	3

DIMENSIONS			
A	B	C	D
41 1/2"	11 1/2"	11 1/2"	56"

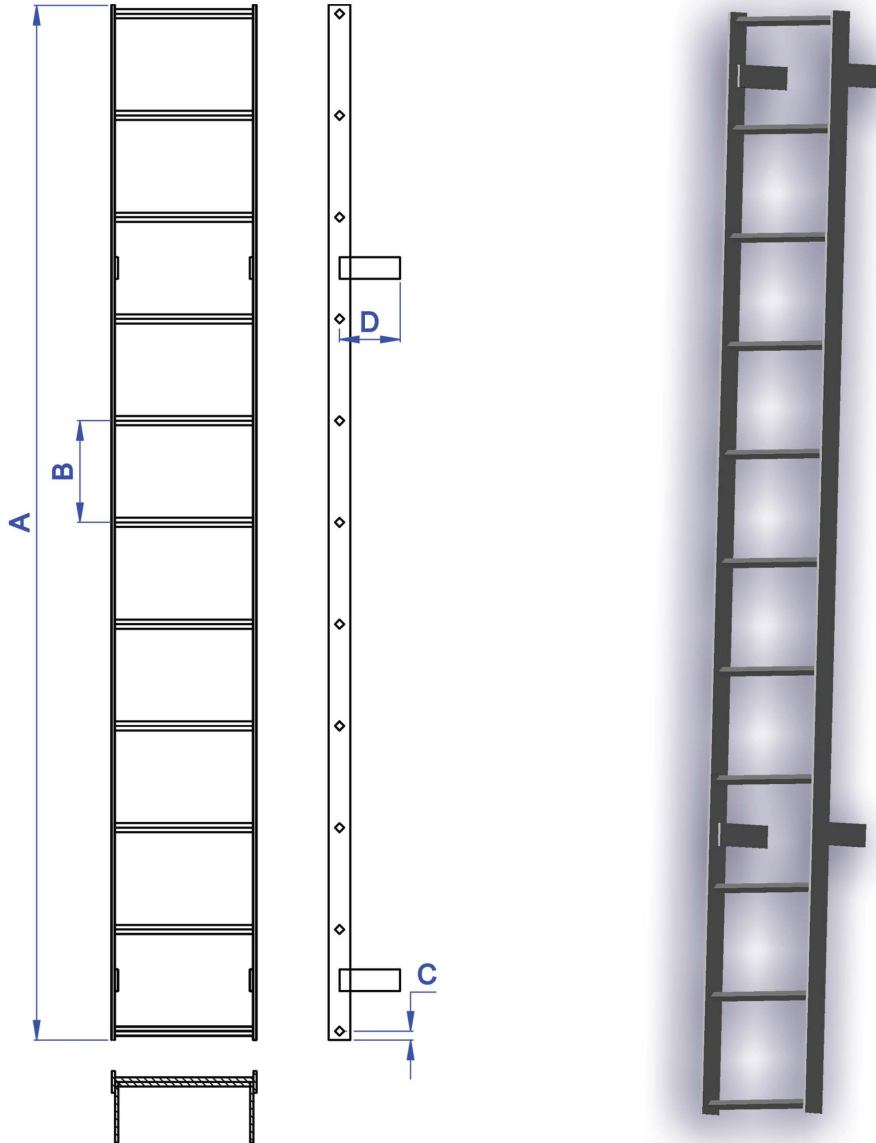
RUNNING LIGHT STAND

Nabrico Products
www.nabrico-marine.com

1250 Gateway Drive
 Gallatin, Tennessee 37066
 615-442-1300



NABRICO



MODEL No.	PART No.	A	B	C	D	WT. (lbs.)
DF-954	39000	12'	11 3/4"	1"	7"	99

STANDARD SIZE SHOWN. CUSTOM SIZES, MATERIALS, AND STYLES AVAILABLE.

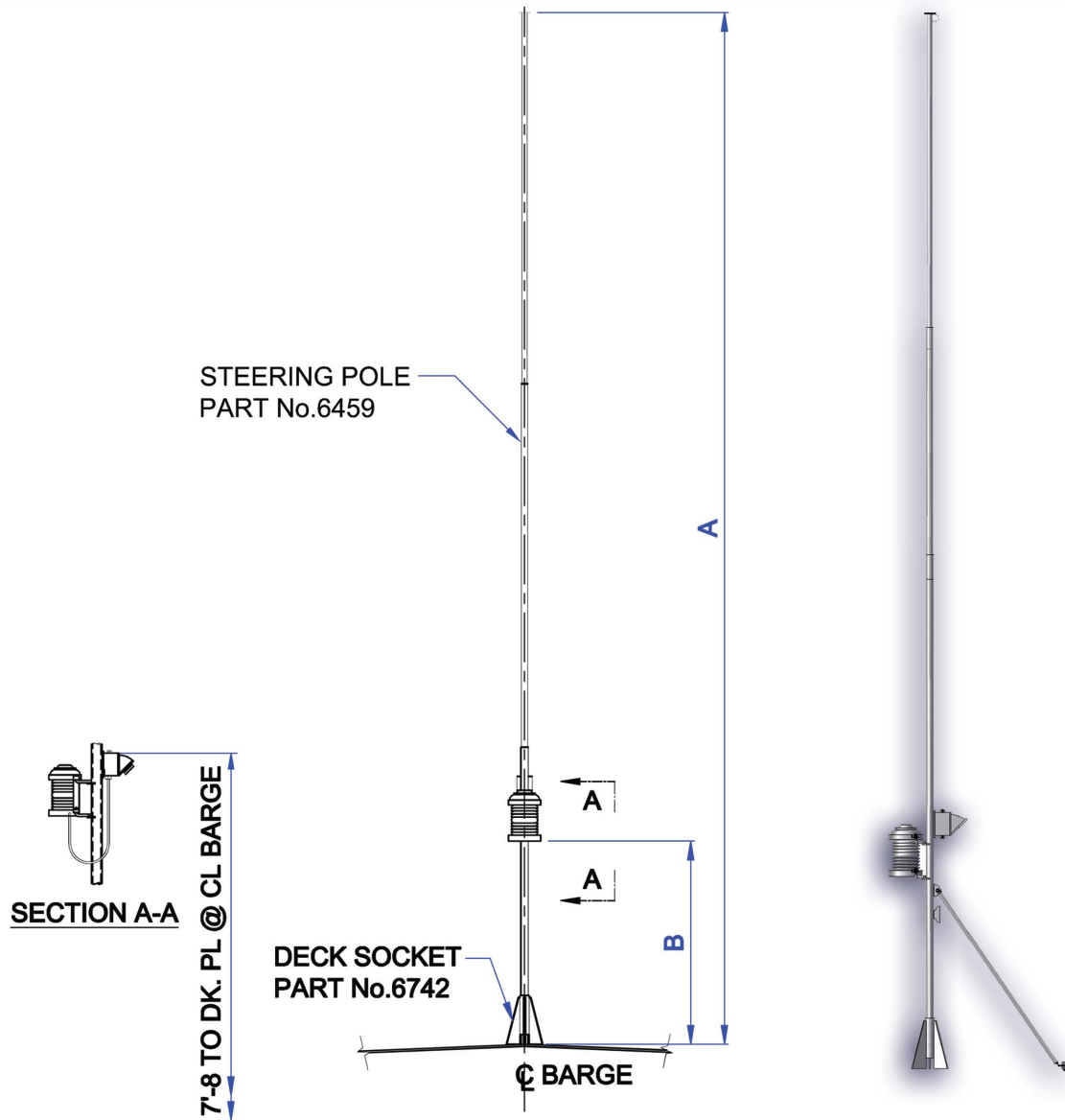
LADDER

Nabrico Products
www.nabrico-marine.com

1250 Gateway Drive
 Gallatin, Tennessee 37066
 615-442-1300



NABRICO



MODEL No.	MATERIAL	PART No.	A	B	WT. (lbs.)
DF-169	STEEL	79979	22'	4'-4"	50

STEERING POLE

Nabrico Products
www.nabrico-marine.com

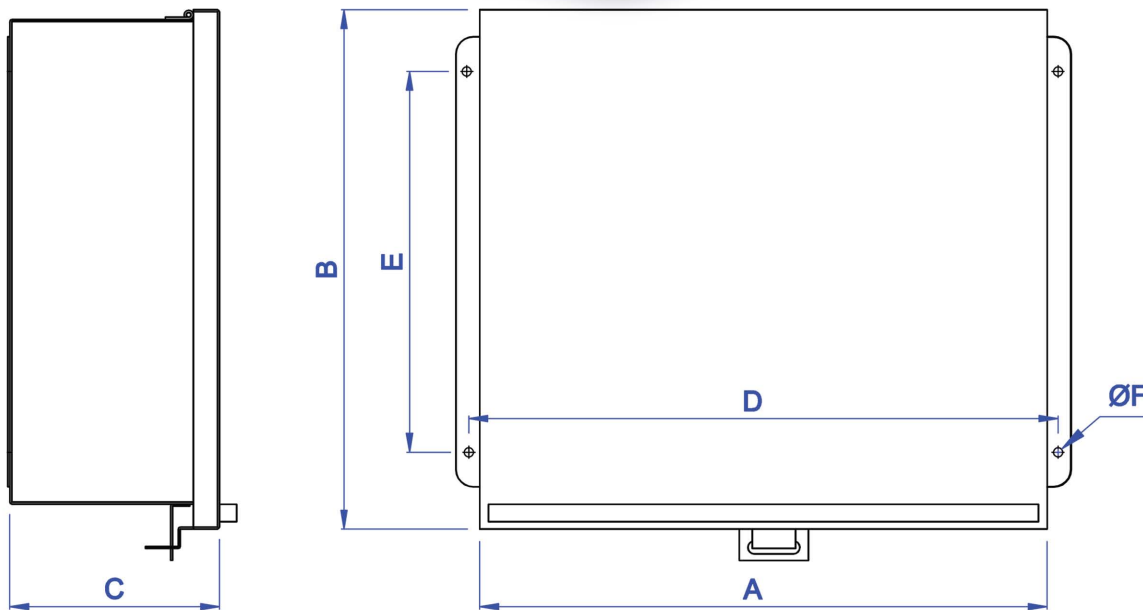
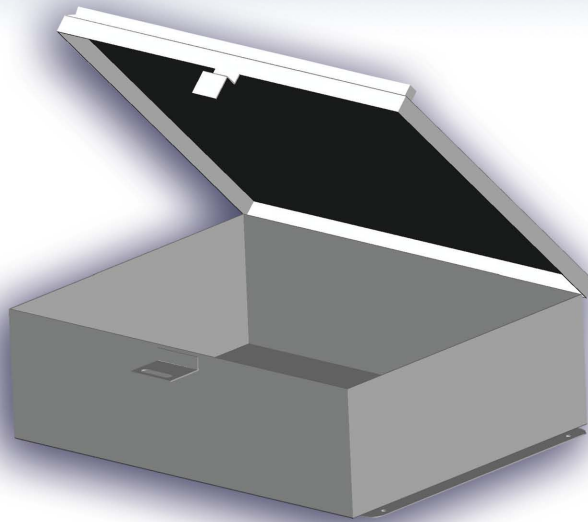
171

1250 Gateway Drive
 Gallatin, Tennessee 37066
 615-442-1300

The specifications and details described by drawings or text in this literature are subject to change without notice.



NABRICO



MODEL No.	PART No.	A	B	C	D	E	ØF	WT. (lbs.)
DF-555	95001	17"	15"	6 1/8"	17 5/8"	11"	1/4"	18

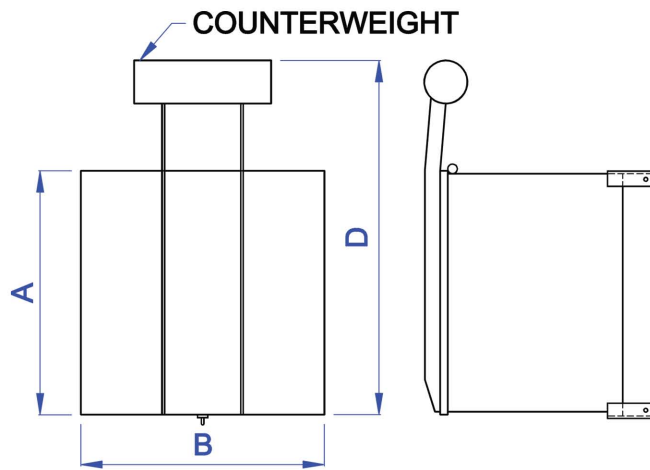
STAINLESS STEEL DOCUMENT BOX/DESK

Nabrico Products
www.nabrico-marine.com

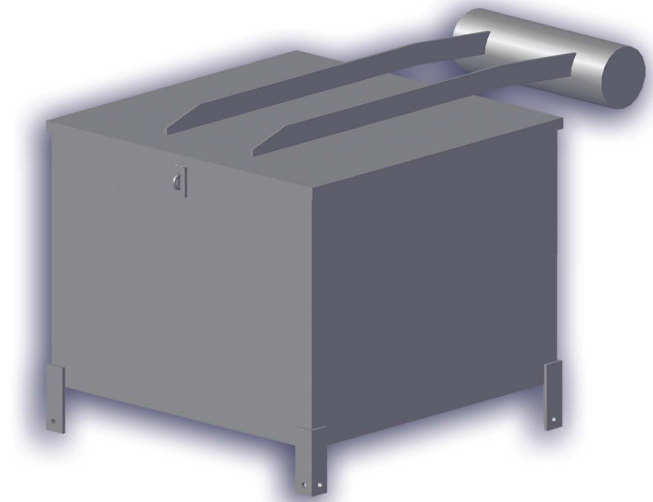
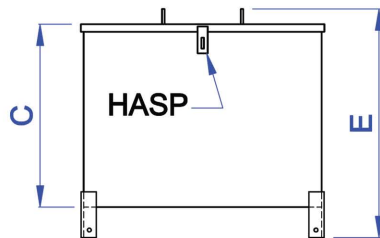
1250 Gateway Drive
 Gallatin, Tennessee 37066
 615-442-1300



NABRICO



PLAN VIEW



MODEL No.	PART No.	A	B	C	D	E	WT. (lbs.)
DF-522	30134	48"	48"	36"	69 3/4"	45"	440

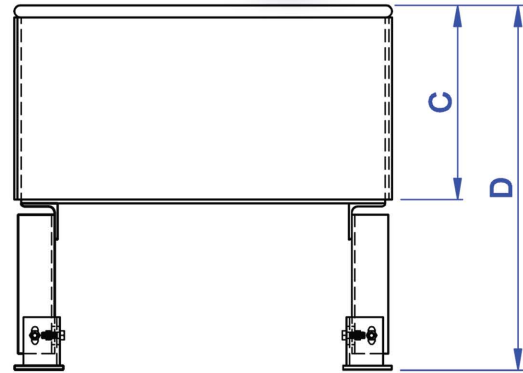
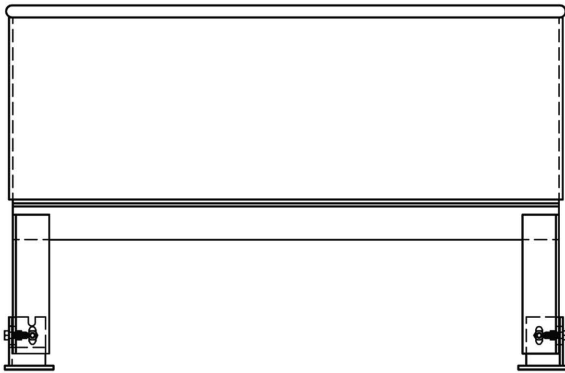
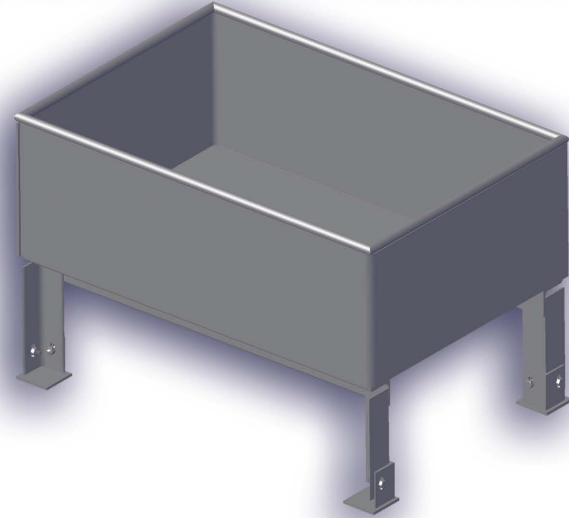
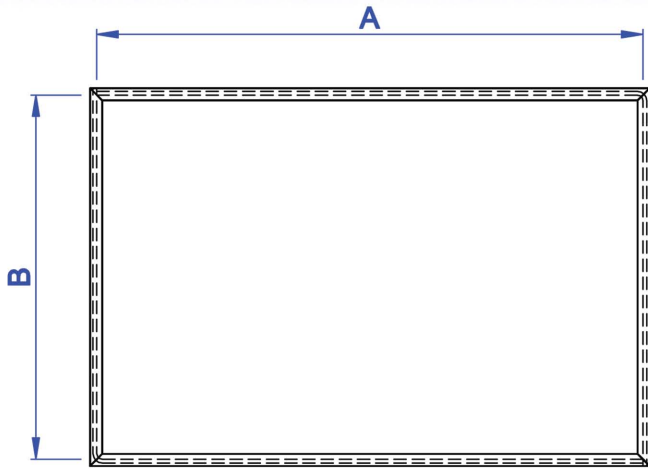
DRY BOX

Nabrico Products
www.nabrico-marine.com

1250 Gateway Drive
 Gallatin, Tennessee 37066
 615-442-1300



NABRICO



MODEL NO.	PART NO.	SIZE	A	B	C	D	WT (LBS.)
DF-465-2	93475	2 BARREL	30"	45"	16"	30"	457
DF-465-3	93483	3 BARREL	43 1/2"	45"	16"	30"	538
DF-465-4	93491	4 BARREL	57"	45"	16"	30"	684
DF-465-5	93505	5 BARREL	70 1/2"	45"	16"	30"	798
DF-465-6	93513	6 BARREL	84"	45"	16"	30"	913

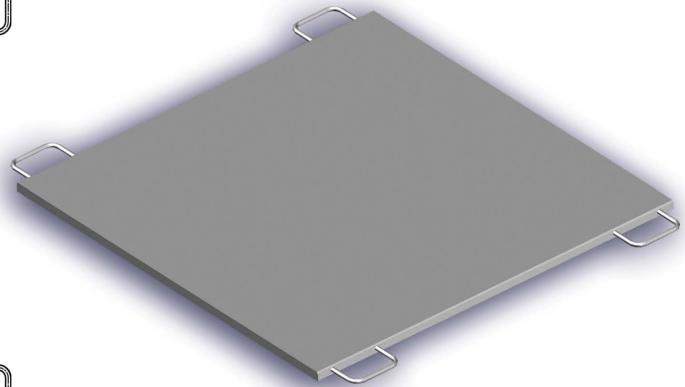
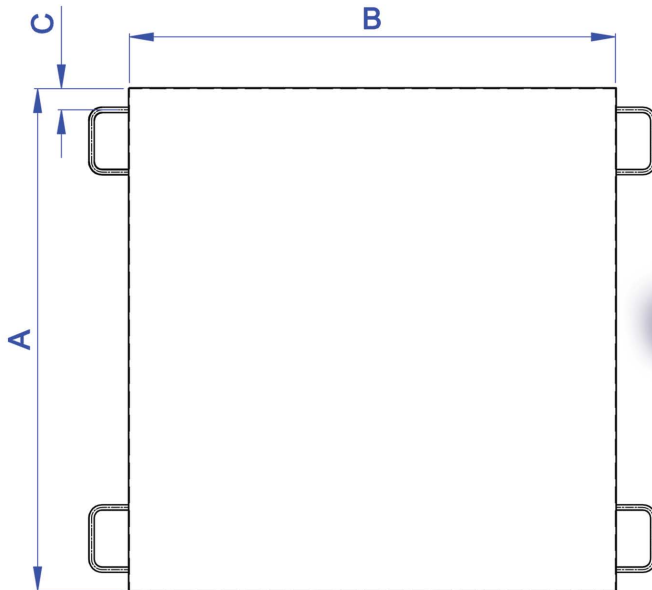
DRIP PANS

Nabrico Products
www.nabrico-marine.com

1250 Gateway Drive
 Gallatin, Tennessee 37066
 615-442-1300



NABRICO



MODEL NO.	PART NO.	SIZE	A	B	C	WT (LBS.)
DF-465-2	30115	2 BARREL	33 7/8"	45 7/8"	2"	65
DF-465-3	90342	3 BARREL	47 3/8"	45 7/8"	2"	85
DF-465-4	90361	4 BARREL	60 7/8"	45 7/8"	2"	105
DF-465-5	90371	5 BARREL	74 3/8"	45 7/8"	2"	125
DF-465-6	90350	6 BARREL	87 7/8"	45 7/8"	2"	140

DRIP PAN COVERS

Nabrico Products
www.nabrico-marine.com

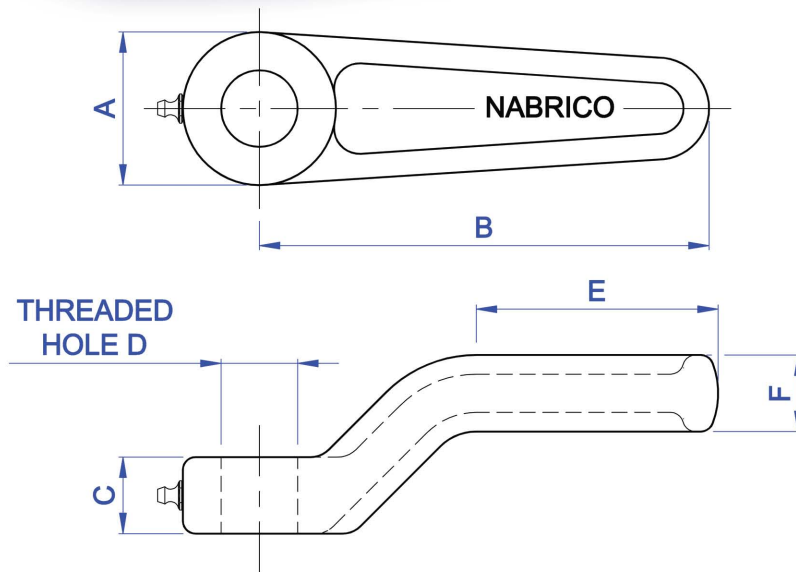
175

1250 Gateway Drive
 Gallatin, Tennessee 37066
 615-442-1300

The specifications and details described by drawings or text in this literature are subject to change without notice.



NABRICO



DOG HANDLES WITHOUT GREASE FITTINGS	
MATERIAL	PART NUMBER
BRONZE	17744
IRON	74837
GALVANIZED	74839
STAINLESS	85236

DOG HANDLES WITH GREASE FITTINGS	
MATERIAL	PART NUMBER
BRONZE	17743
IRON	74836
GALVANIZED	74838
STAINLESS	85235

MODEL No.	A	B	C	D	E	F	WT. (lbs.)
DF-39	1 1/2"	4 3/8"	3/4"	3/4"-10 UNC	2 3/8"	3/4"	1

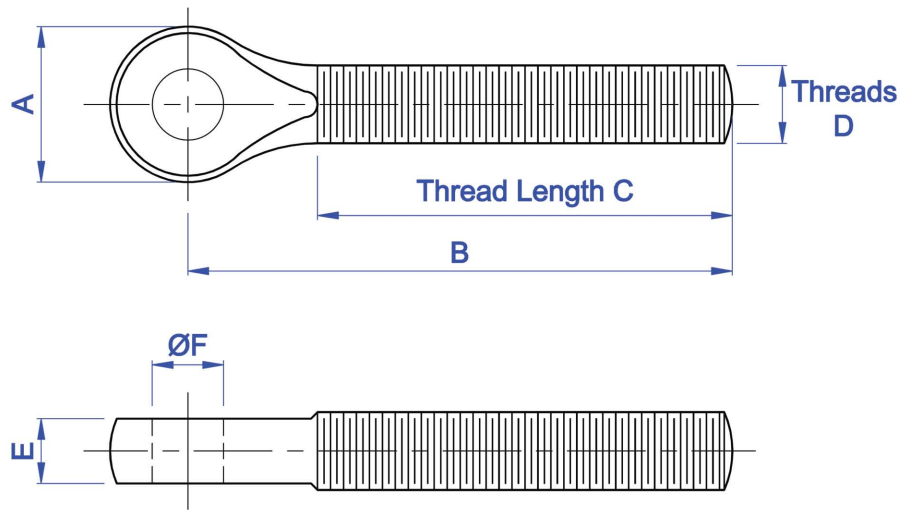
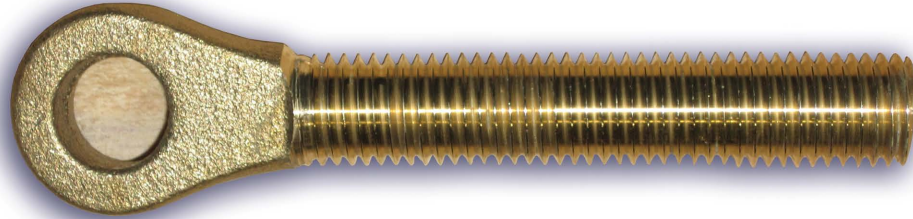
DOG HANDLE

Nabrico Products
www.nabrico-marine.com

1250 Gateway Drive
 Gallatin, Tennessee 37066
 615-442-1300



NABRICO



MATERIAL	PART NUMBER
BRONZE	10774
STAINLESS 304	87939

MODEL No.	SIZE	A	B	C	D	E	ØF	WT. (lbs.)
DF-43	5 1/4"	1 1/2"	5 1/4"	4"	3/4"-10 UNC	5/8"	11/16"	1

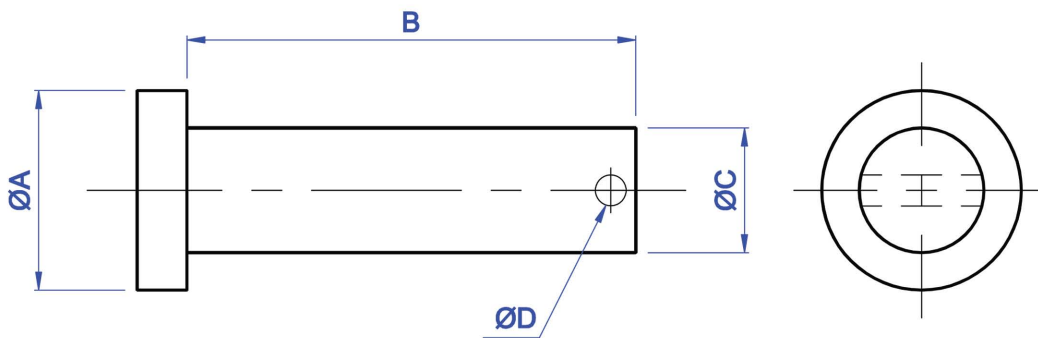
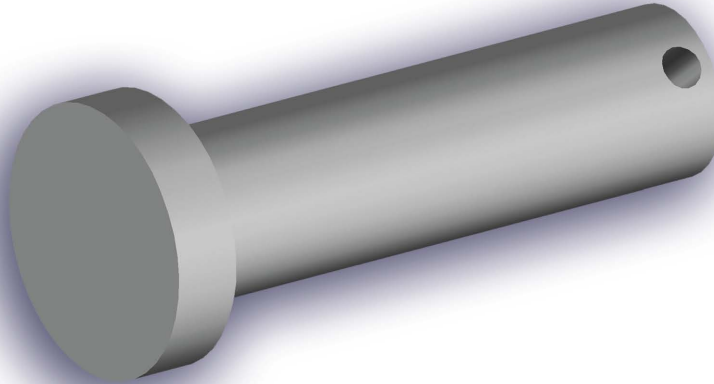
TUMBLE BOLT

Nabrico Products
www.nabrico-marine.com

1250 Gateway Drive
 Gallatin, Tennessee 37066
 615-442-1300



NABRICO



MATERIAL	PART No.	ØA	B	ØC	ØD	WT. (lbs.)
STAINLESS	92771	1"	2 1/4"	5/8"	5/32"	1

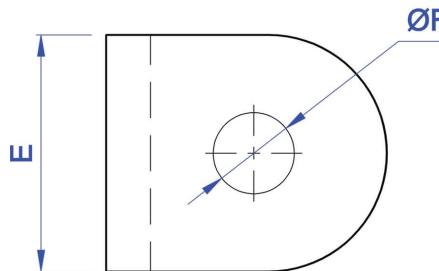
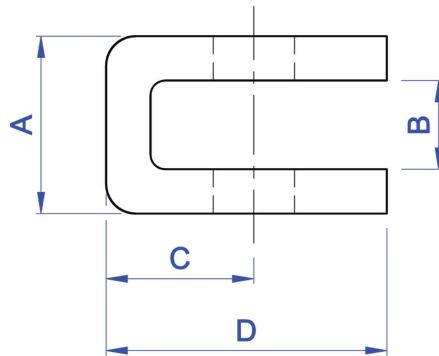
TUMBLE BOLT PIN

Nabrico Products
www.nabrico-marine.com

1250 Gateway Drive
 Gallatin, Tennessee 37066
 615-442-1300



NABRICO



MATERIAL	PART NUMBER
STEEL	75051
STAINLESS	75070

MODEL No.	A	B	C	D	E	ØF	WT. (lbs.)
DF-35	1 1/2"	3/4"	1 1/4"	2 3/8"	2"	11/16"	1

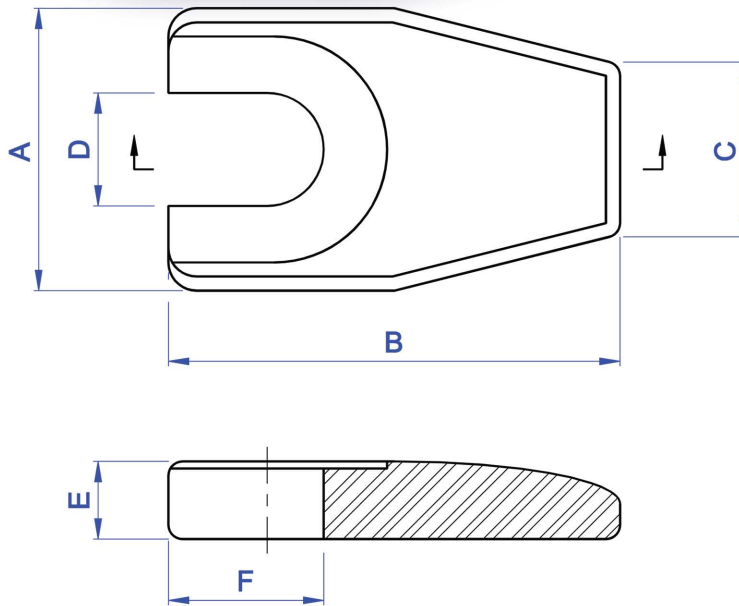
TUMBLE BOLT LUG

Nabrico Products
www.nabrico-marine.com

1250 Gateway Drive
 Gallatin, Tennessee 37066
 615-442-1300



NABRICO



MATERIAL	PART NUMBER
STEEL	6440
STAINLESS	6441

MODEL No.	A	B	C	D	E	ØF	WT. (lbs.)
DF-37	2 1/2"	4"	1 1/2"	1"	11/16"	1 3/8"	1

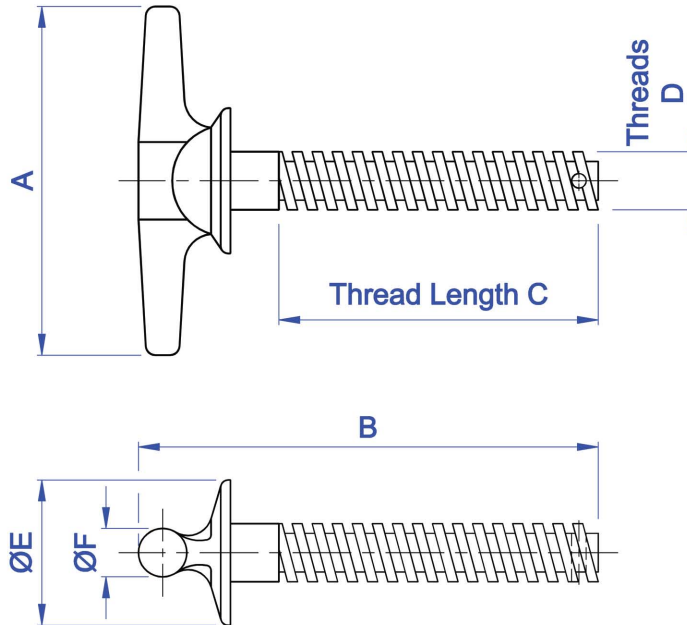
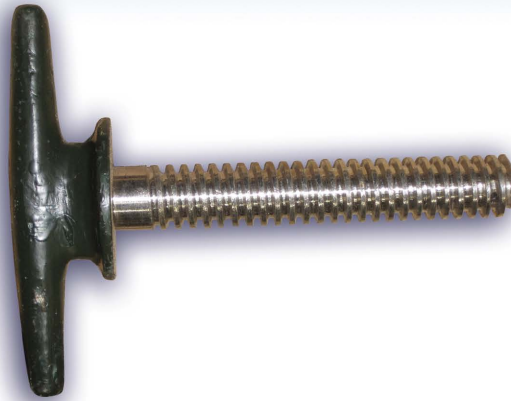
DOGGING PAD

Nabrico Products
www.nabrico-marine.com

1250 Gateway Drive
 Gallatin, Tennessee 37066
 615-442-1300



NABRICO



MODEL No.	MATERIAL	PART No.	A	B	C	D	ØE	ØF	WT. (lbs.)
DF-41	STAINLESS 304	16993	4 1/2"	5 15/16"	4 1/8"	3/4"-ACME	1 7/8"	5/8"	1

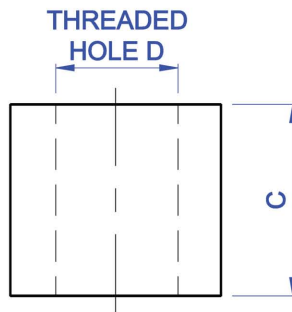
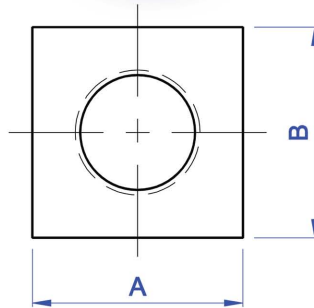
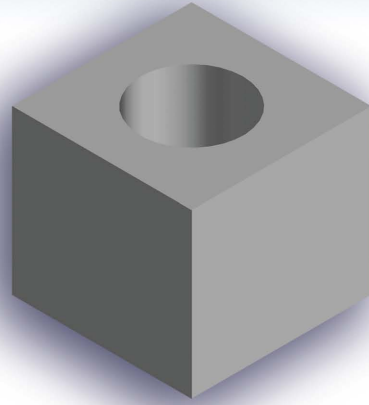
T-HANDLE (DF-430 Style Hatch)

Nabrico Products
www.nabrico-marine.com

1250 Gateway Drive
 Gallatin, Tennessee 37066
 615-442-1300



NABRICO



MATERIAL	PART No.	A	B	C	D	WT. (lbs.)
BRASS	507	1 3/8"	1 3/8"	1 1/4"	3/4"-ACME	1

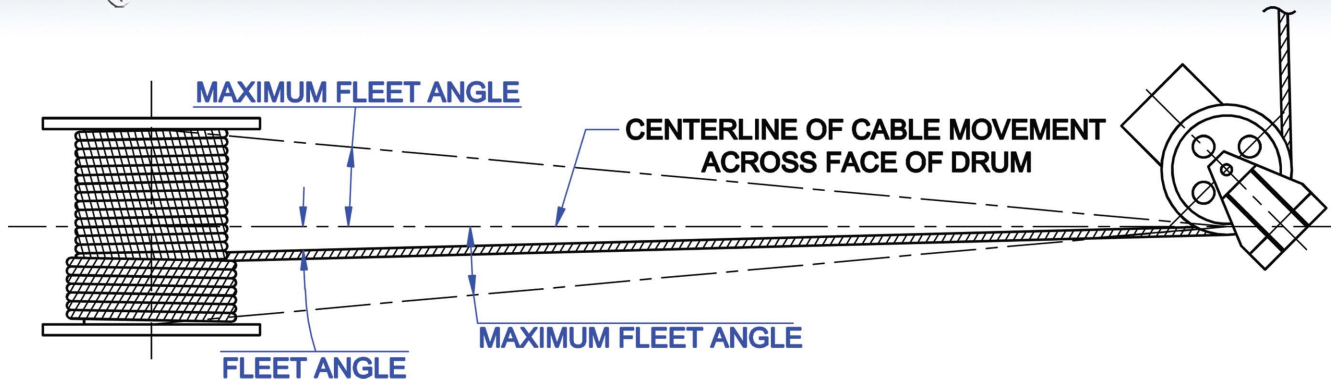
SQUARE BRASS NUT (DF-430 Style Hatch)

Nabrico Products
www.nabrico-marine.com

1250 Gateway Drive
 Gallatin, Tennessee 37066
 615-442-1300



NABRICO



Fleet Angle:

In order to insure proper wrapping on the drum and no undue wear of the wire rope, the fleet angle should be kept as small as practical. This is important to consider during the planning of a winch installation. Sheaves and drums should be placed so that the fleet angle will be equal on each side of the centerline of rope travel.

For a smooth drum a maximum fleet angle of 1-1/2 degrees is recommended. When the drum is grooved to suit the wire rope, the fleet angle should not exceed 2 degrees

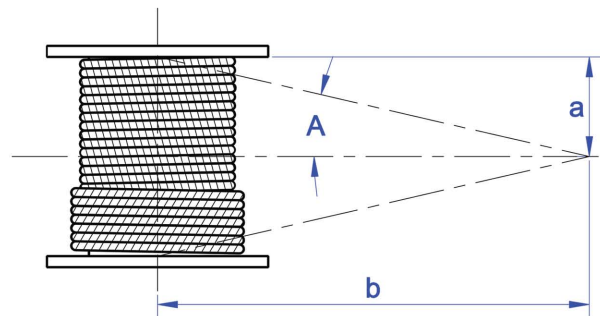
Example: Fleet Angle Calculation for 36" Chain Drive Barge Moving Winch

36" Chain Drive Moving Winch

- a=18"
- b=x (distance to be determined)
- A°=1.5° (minimum for a smooth drum)

$$\tan A = a/b$$

$$\begin{aligned} \tan 1.5^\circ &= 18"/x \\ .02619 &= 18"/x \\ x &= 18"/.02619 \\ x &\sim 688" \text{ (rounded up to next whole number)} \\ x &\sim 688" / 12 \text{ (convert to feet)} \\ x &\sim 58' \end{aligned}$$



FLEET ANGLE



NABRICO

DECK FITTING NOTES AND GENERAL INFORMATION

The information and sketches shown in this catalog are proprietary to NABRICO. Duplication, reproduction, or manufacture from data contained herein is strictly prohibited.

All deck fittings and winches must be sized correctly, properly located, and installed to serve their intended functions. It is the owner/operator's responsibility to adhere to the aforementioned.

Improper installation can result in failure of a casting or winch. Deck fittings which have failed due to overloads, or have been dislodged from foundations, or have fracture and/or deformations should be repaired or replaced immediately.

In particular, loads to bitts must be applied to the posts between the base and the mid point in a horizontal or downward direction. Properly placed chocks will prevent line chafing. Kevels should be installed horizontally on foundation bases of sufficient sizes. Force to kevels must be directed to the trunk and not the horns. Horns will fail when exposed to direct loads.

Deck fittings are not designed for use to lift the vessel. Misapplication or misuse of a deck fitting is not the responsibility of the supplier or NABRICO.

All dimensions shown in this catalog are in feet and inches. Weights are in English pounds. Capacities are in short tons of 2000 pounds. Please note that dimensions and weights are nominal and are subject to standard variations.



NABRICO

PRODUCT WARRANTY

NABRICO warrants that all NABRICO products shall be free from defects in material and workmanship during the Warranty Period (as hereinafter defined); provided, however, that NABRICO's warranty hereunder shall not apply to any equipment, material or components that is not manufactured by NABRICO, and NABRICO makes no express or implied warranty that any such equipment, material or components are free from manufacturer or supplier defects. To the extent doable, NABRICO agrees to transfer and assign to a Buyer or End User any warranties extended by the manufacturer or supplier of such equipment, material or components. NABRICO shall have no obligation or responsibility to repair or replace any defective NABRICO Product if a notice of defect is not reported in writing to NABRICO within 180 days from the date of shipment of any NABRICO Winch Products and 90 days from the date of shipment of any other NABRICO Products (such 180 day and 90 day periods are hereinafter referred to as "Warranty Period").

In the event Buyer or any End User timely notify NABRICO in writing of any claim of defect covered by this warranty, NABRICO shall correct the nonconforming work by making repairs or replacements, at NABRICO's option and at NABRICO's expense, if NABRICO's examination shall disclose to its satisfaction that all or a portion of the NABRICO Product is defective. However, this warranty is conditional upon compliance by the Buyer or End User with loading, use and handling in accordance with good commercial practices of the trade, and NABRICO shall not be responsible for defects caused by misloading, overheating, improper cleaning, misapplication, physical abuse or from normal wear and tear. This warranty is void where any NABRICO Product has been altered or repaired by anyone other than NABRICO or its authorized agent.

THE WARRANTY AND REMEDIES SET FORTH HEREIN ARE IN SUBSTITUTION OF AND IN LIEU OF ANY AND ALL OTHER WARRANTIES AND REMEDIES EXPRESSED OR IMPLIED, INCLUDING, BUT NOT LIMITED TO, ANY IMPLIED WARRANTIES OF MERCHANTABILITY OR FITNESS FOR A PARTICULAR PURPOSE, WITH RESPECT TO THE CONSTRUCTION, DELIVERY AND SALE OF A NABRICO PRODUCT, AND NABRICO SHALL, FOLLOWING SAID DELIVERY AND SALE, IN NO EVENT BE LIABLE TO BUYER OR ANY END USER FOR THE BREACH OF ANY WARRANTY, GUARANTY, OR REMEDY, EXPRESSED OR IMPLIED, IN FACT OR IN LAW, EXCEPT AS SPECIFICALLY SET FORTH ABOVE. EXCEPT AS PROVIDED HEREIN, NABRICO SHALL AT NO TIME AND IN NO EVENT BE LIABLE TO BUYER OR ANY END USER OR TO ANYONE CLAIMING TO OR THROUGH BUYER OR ANY END USER FOR LOSS OR DAMAGES OF ANY KIND, INCLUDING, BUT NOT LIMITED TO, DIRECT, INDIRECT, SPECIAL, PUNITIVE OR CONSEQUENTIAL DAMAGES OR LOSS OF PROFITS RESULTING FROM ANY CAUSE WHATSOEVER, INCLUDING, BUT NOT LIMITED TO, ANY ACT, ERROR, OMISSION, NEGLIGENCE, STRICT LIABILITY, TORT, PRODUCT LIABILITY, OR OTHERWISE OF NABRICO, ITS EMPLOYEES OR SUBCONTRACTORS.

NABRICO

1250 GATEWAY DRIVE | GALLATIN, TN 37066

615.442.1300 | 615.442.1313 FAX

WWW.NABRICO-MARINE.COM



CHOCKS | BARGE CRANES | OIL TANKS | OCEAN DOMES | SUCTION BELLMOUTHS