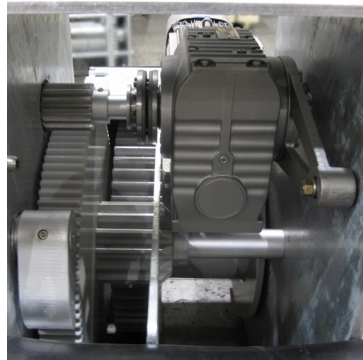
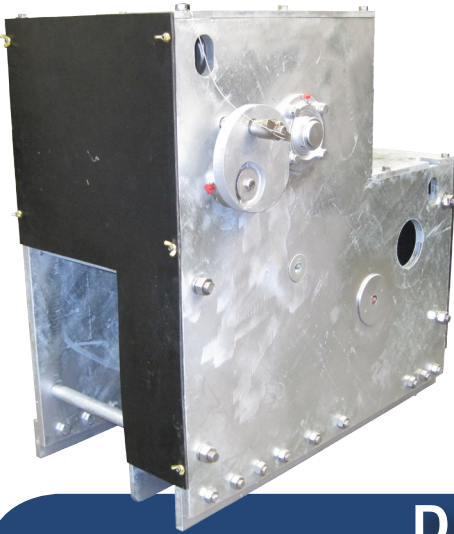




# NABRICO



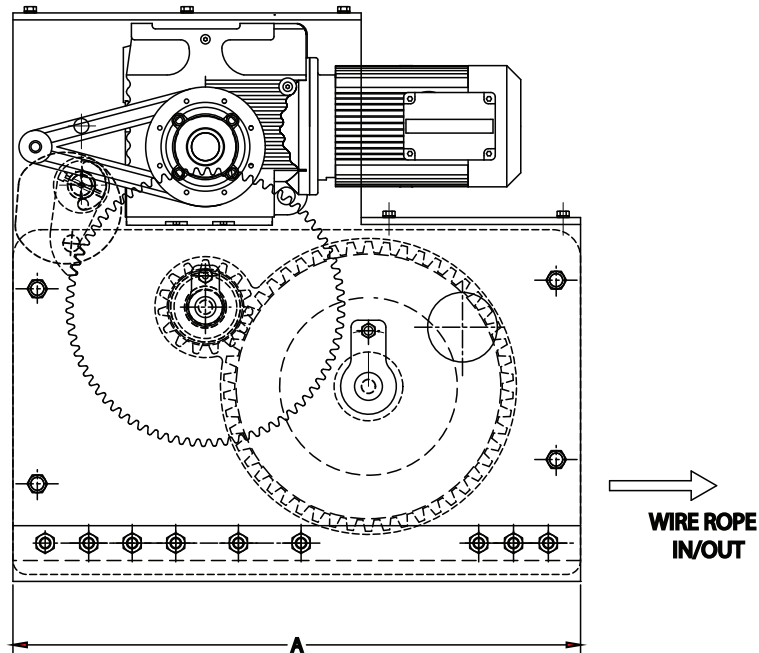
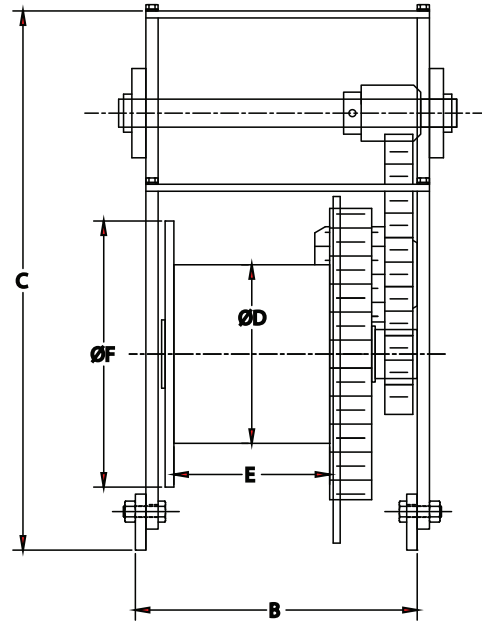
## DF-156-40 Electric Winch Features & Specifications

- Salt water package standard on all power winches.
- Stainless or silicon bronze fasteners.
- 3-ply conveyor belt covers (damage and corrosion-resistant).
- 3-tooth locking dog with large release and fail-safe disc brake.
- NEMA motor design with helical-bevel gearbox.
- Minimal maintenance and easy to repair.
- Variable frequency drive option available. Amp draw limits, variable speeds, and motor protection.
- True right and left hand models for use in pairs.
- 40 Ton - 7.5 HP motor standard.
- Other line pulls and speeds available.
- Control box option: NEMA 4X stainless steel.

MODEL	HOLDING DOG & OR BRAKE	LINE PULL		LINE SPEED 1ST LAYER	DRUM CAPACITIES				WEIGHT
		@ RATED AMPS	@ MOTOR STALL						
DF-156-40-E	S. TON	LBS	LBS	FPM	5/8"	3/4"	7/8"	1"	LBS
	40	13,213	36,335	17.8	287'	180'	130'	100'	1850
	M. TON	KGS	KGS	MPM	16mm	19mm	22mm	25mm	KGS
	36	5,993	16,481	5.4	87m	55m	40m	31m	817



# NABRICO



MODEL	A	B	C	Ø D	E	Ø F	WEIGHT
DF-156-40-E	40-3/4"	20-1/8"	14"	12-3/4"	11-1/4"	16"	1850 LBS
	1035mm	511mm	355mm	324mm	286mm	406mm	817 KGS